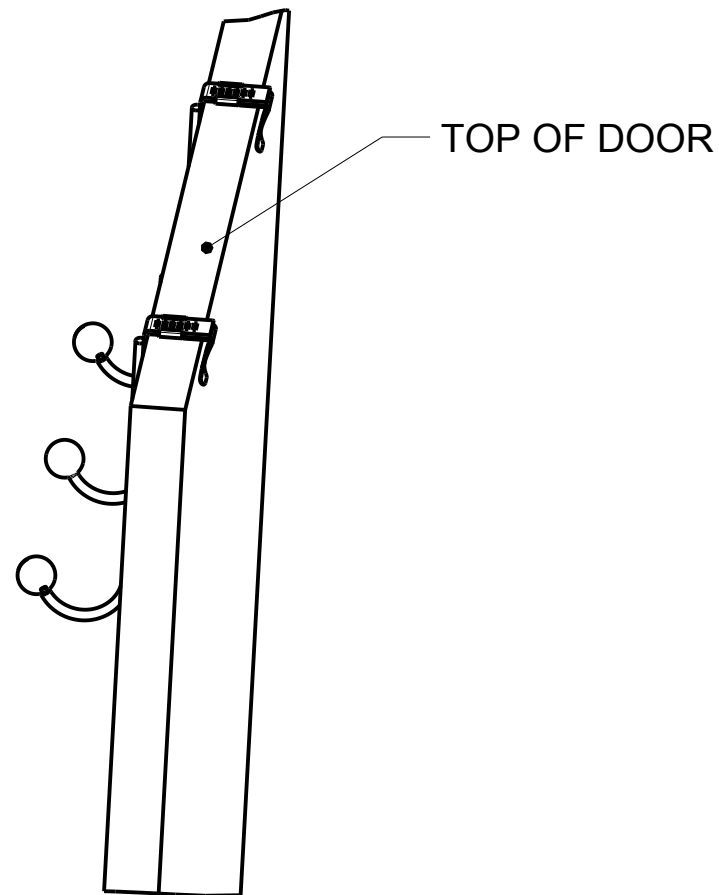
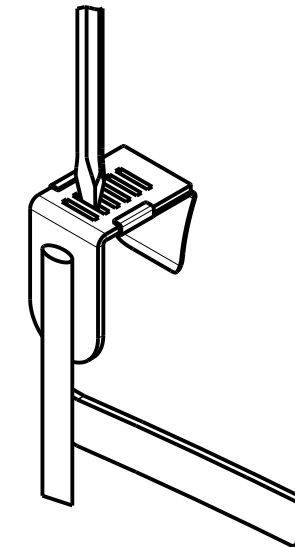


Slide open the adjustable brackets to fit over door.



Place over door. Bracket should fit snugly over the top of door. If bracket is loose, push bracket closed until desired fit is achieved.



If bracket is difficult to slide open by hand, insert flat screwdriver through small slot in top. Gently press down clip on underside to loosen enough to adjust by hand.

NOTE:
THE MAXIMUM CAPACITY FOR THIS OVER-THE-DOOR HOOK RAIL IS 10 LBS.