

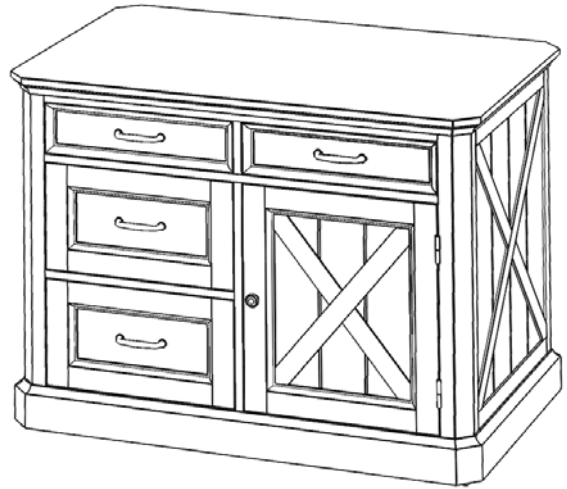
88 5523 943 Kitchen Island

IMPORTANT NOTE

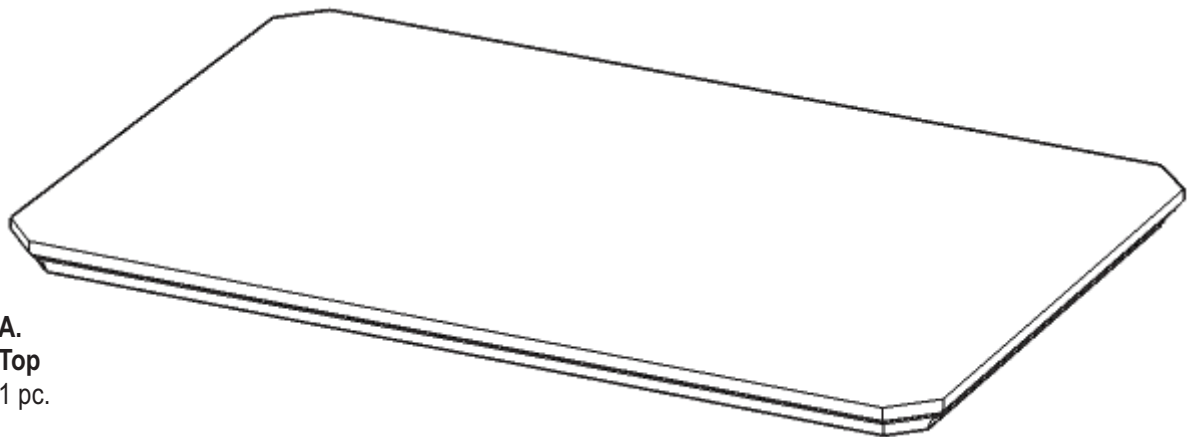
Carefully remove all the parts from the carton and put them individually on a soft cloth to prevent scratches or other damages occurring to the parts.

We have taken great care in the design of this product and request that you carefully and strictly follow our assembly instructions to ensure a completed product as it was designed.

*Home
Styles*



Part List



A.
Top
1 pc.

For assembly see instructions in carton 88 5523 942

***Home Styles Consumer Assistance Line 888-680-7460 and 877-831-0319
servicedesk@homestyles-furniture.com***

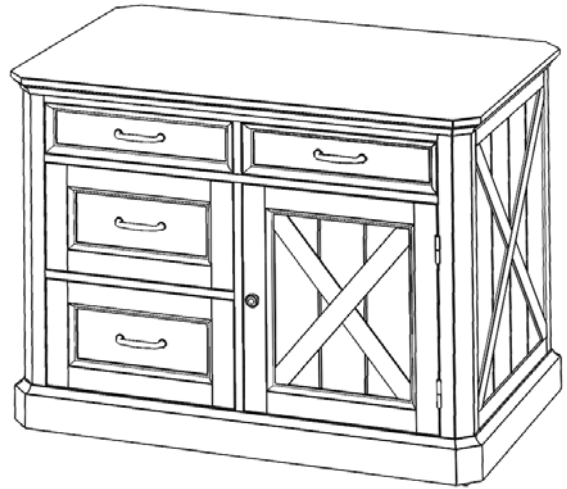
88 5523 941 Kitchen Island

IMPORTANT NOTE

Carefully remove all the parts from the carton and put them individually on a soft cloth to prevent scratches or other damages occurring to the parts.

We have taken great care in the design of this product and request that you carefully and strictly follow our assembly instructions to ensure a completed product as it was designed.

*Home
Styles*

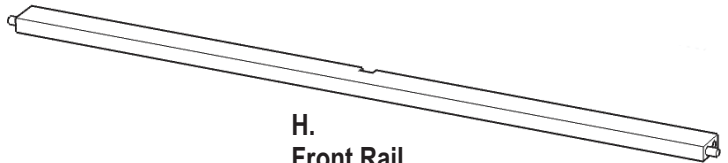


Part List

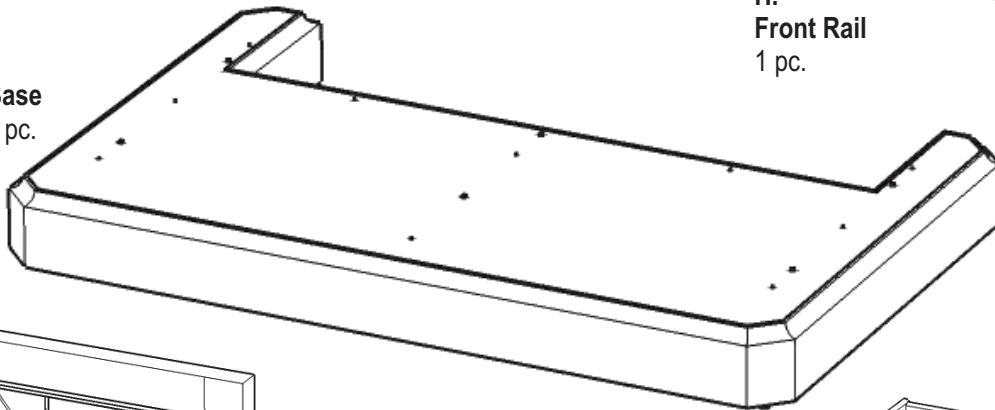
G.
Front Rail
1 pc.



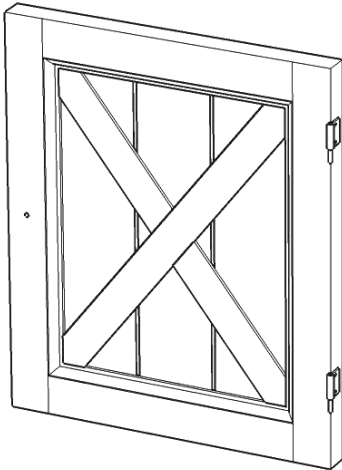
H.
Front Rail
1 pc.



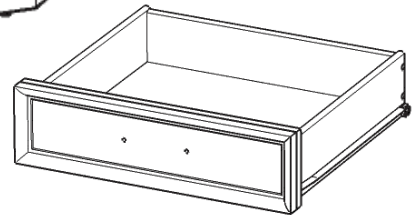
I.
Base
1 pc.



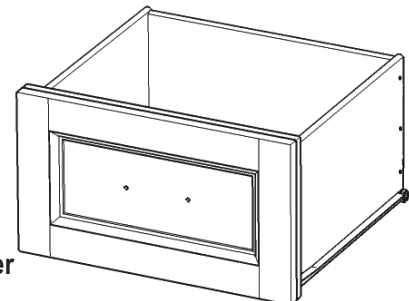
J.
Door
1 pc.



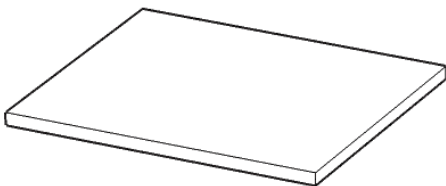
L.
Drawer
2 pcs.



M.
Drawer
2 pcs.



K.
Shelf
2 pcs.



(Knock-Down Construction, please refer to the last page (5),(6) of instructions for steps to complete drawer assembly)

For assembly see instructions in carton 88 5523 942

**Home Styles Consumer Assistance Line 888-680-7460 and 877-831-0319
servicedesk@homestyles-furniture.com**

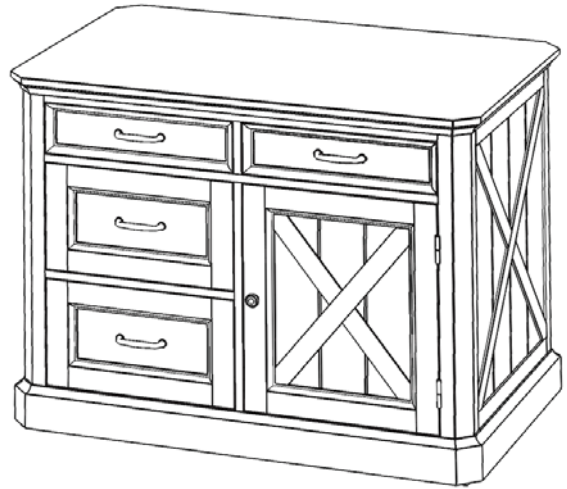
88 5523 942 Kitchen Island

IMPORTANT NOTE

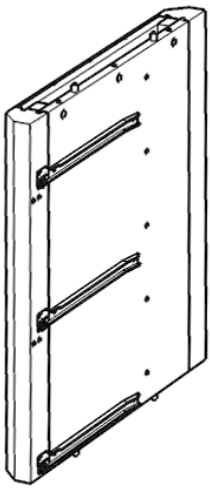
Carefully remove all the parts from the carton and put them individually on a soft cloth to prevent scratches or other damages occurring to the parts.

We have taken great care in the design of this product and request that you carefully and strictly follow our assembly instructions to ensure a completed product as it was designed.

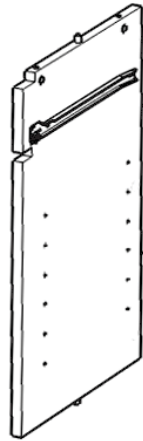
*Home
Styles*



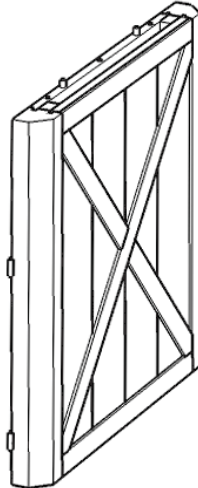
Part List



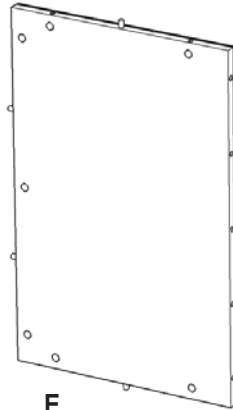
B.
Side Panel
1 pc.



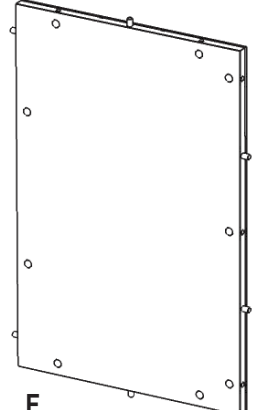
C.
Middle Panel
1 pc.



D.
Side Panel
1 pc.



E.
Back Panel
1 pc.



F.
Back Panel
1 pc.

Hardware List



Cam Lock
28 pcs. (+6 extra)



**M6x35
Long Screw
for Base**
8 pcs. (+1 extra)



Adjustable Pin
8 pcs. (+1 extra)



**M3x15
Wood Screw
for Magnet**
2 pcs. (+1 extra)



Magnet
1 pc.



**M4x28
Machine Screw**
9 pcs.



Knob
1 pc.



Cam Lock Screw
28 pcs. (+2 extra)



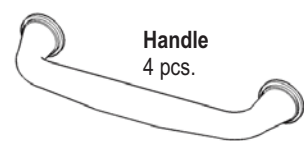
Flat Washer
8 pcs. (+1 extra)



**M3.5x16
Wood Screw (short)
for Drawer Bottom**
16 pcs. (+1 extra)



**M3.5x25
Wood Screw (long)
for Drawer Side**
40 pcs. (+1 extra)



Handle
4 pcs.

For assembly see instructions in carton 88 5523 941, 88 5523 943

Tools required for assembly: Phillips screwdriver, Level

**Home Styles Consumer Assistance Line 888-680-7460 and 877-831-0319
servicedesk@homestyles-furniture.com**

IMPORTANT

* Do not tighten up all the screws until each part is properly assembled.

* Use a soft cloth between these parts and the floor.

* After assembly, item must be level to work properly. Use the included adjustable levelers to level.

STEP 1

Put Cam Lock Screws into the pre-drilled holes of Top (A), Side Panels (B), (D), Middle Panel (C), Back Panel (E) and Base (I) and tighten. (see Figure 1)

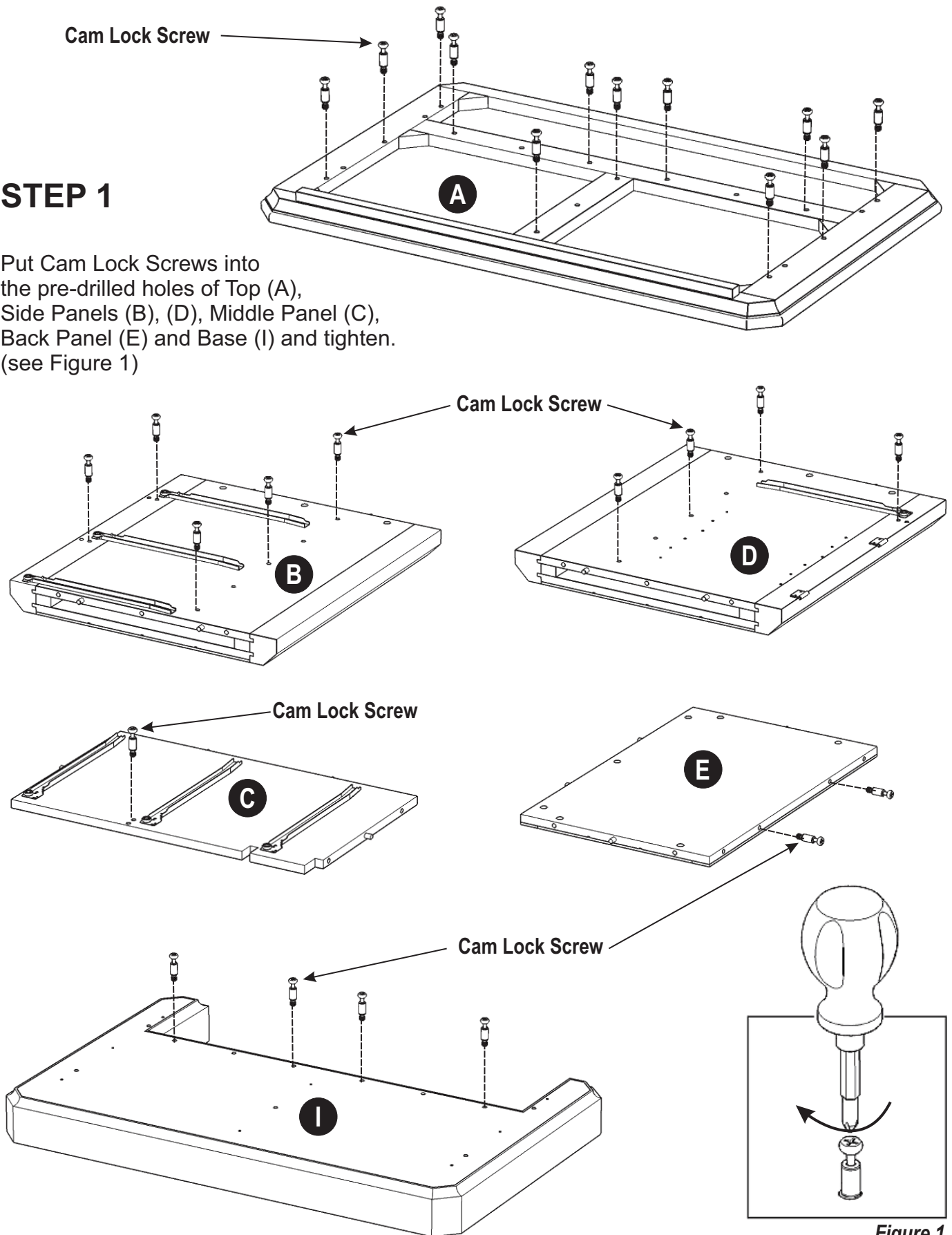


Figure 1

STEP 2

Attach Back Panel (E) to Side Panel (B) with Cam Locks.
(see Figure 2)

Attach Back Panel (F) to unit with Cam Locks.

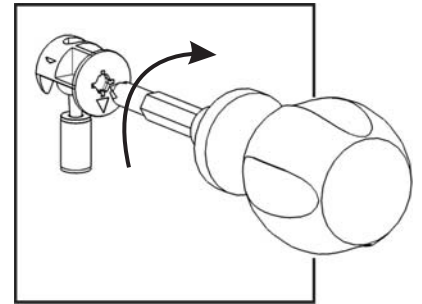
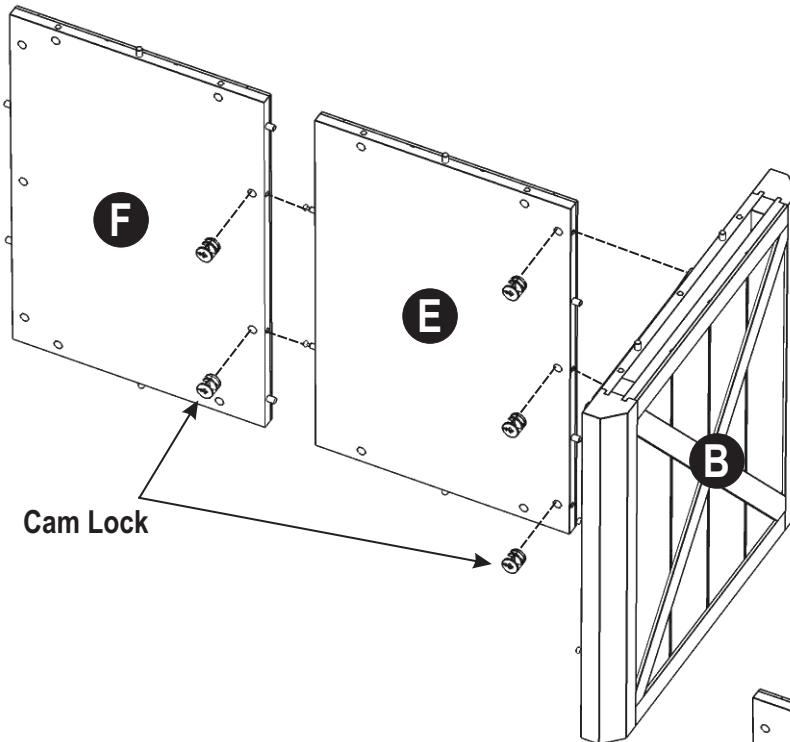


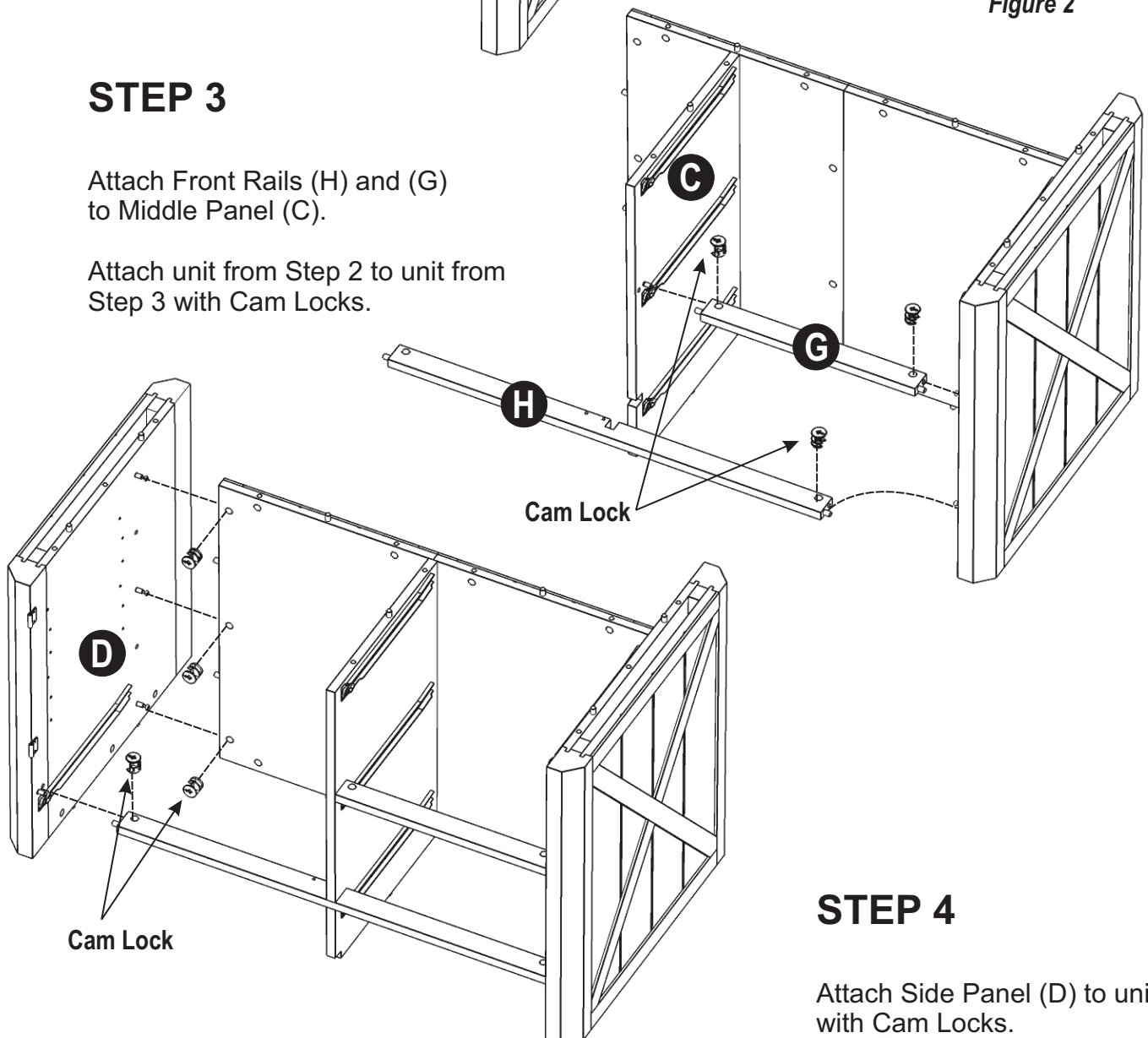
Figure 2



STEP 3

Attach Front Rails (H) and (G) to Middle Panel (C).

Attach unit from Step 2 to unit from Step 3 with Cam Locks.



STEP 4

Attach Side Panel (D) to unit with Cam Locks.

STEP 5

Attach Base (I) to unit with Washers, Long Screws and Cam Locks. (see Figure 3)

Attach Magnet to unit with Wood Screws for Magnet. (see Figure 4)

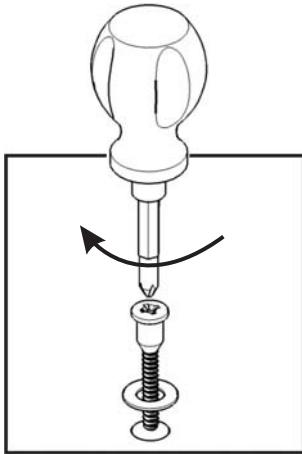


Figure 3

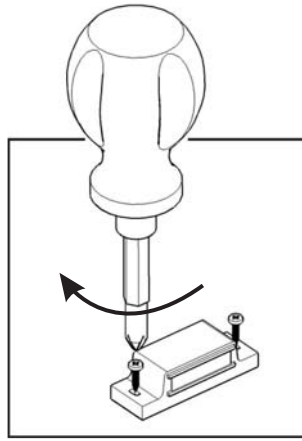


Figure 4

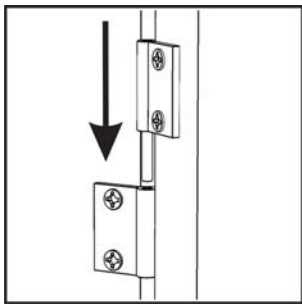
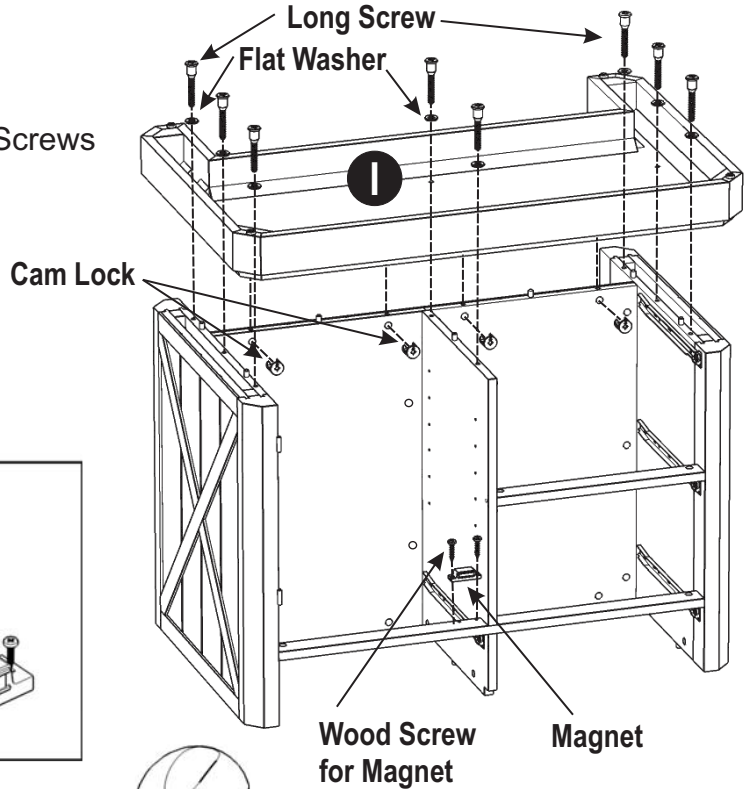


Figure 5

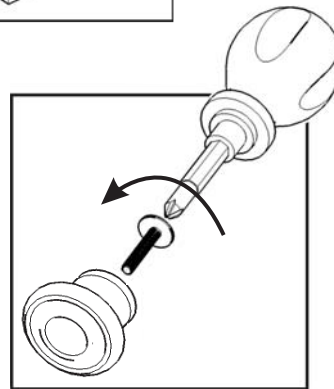


Figure 6

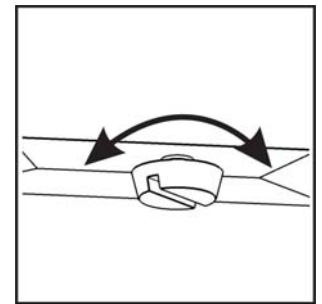
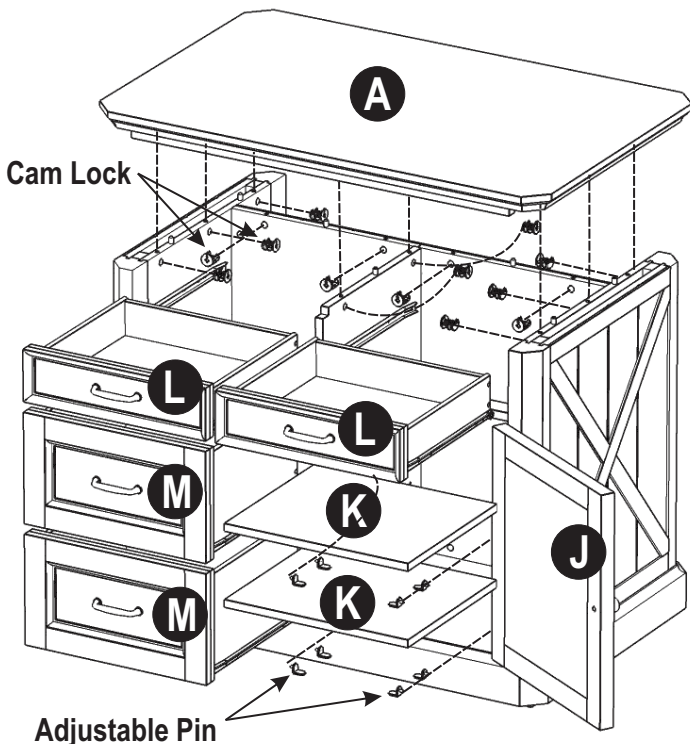


Figure 7

STEP 6



Turn the unit upright position, attach Top (A) to unit with Cam Locks.

Slide Drawers (L) and (M) into position.

Insert Adjustable Pins into side panel and middle panel at desired level, then place Shelves (K) into position.

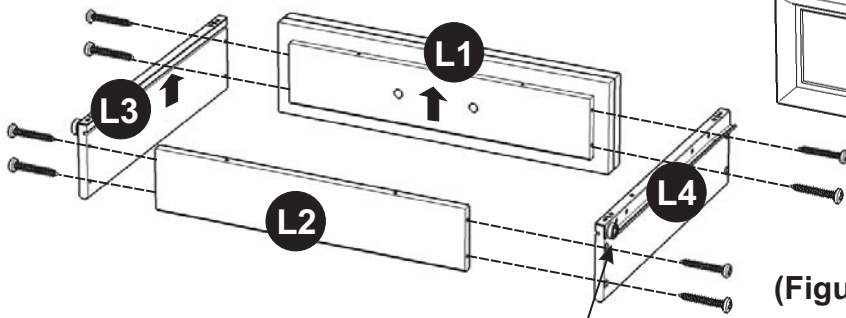
Attach Door (J) by sliding the door lift hinges into the side panels lift hinges. (see Figure 5)

Assemble Knob to Door (J) with Machine Screws. (see Figure 6)

To level the unit, adjust the adjustable levelers on the bottom of unit. (see Figure 7)

Note: Unit must be level to work properly.

Drawer L



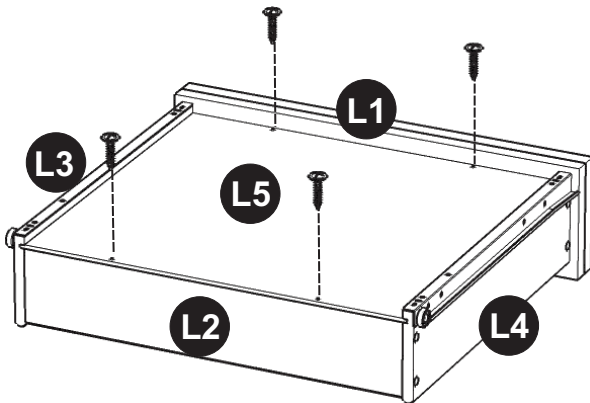
(Figure 1)

STEP 1

Attach L1 to L3 and L4, using a Phillips screwdriver and long wood screws (4X), tighten halfway.

MAKE SURE ROLLER IS ON THE BACK

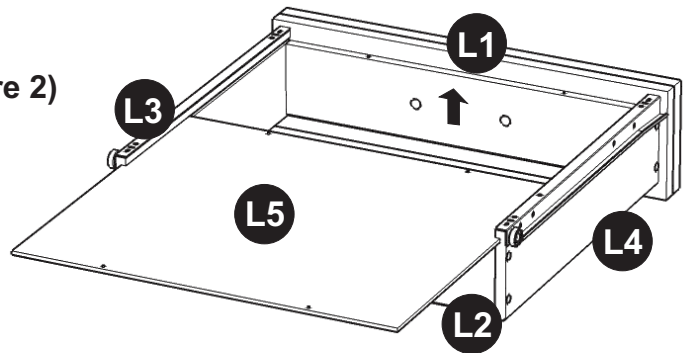
Attach L2 to L3 and L4 using long wood screws (4X), tighten halfway. (See Figure 1)



(Figure 3)

STEP 3

Insert short wood screws (4X) into the pre-drilled holes in L5, tighten screws. (See Figure 3)



(Figure 2)

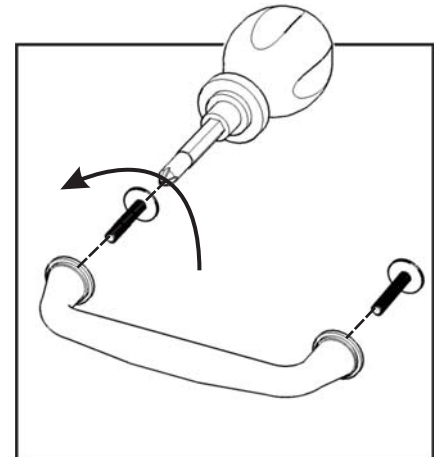
STEP 2

Slide L5 into the grooves in L3 and L4. Be sure to push L5 all the way forward so it meets L1. (See Figure 2)

(Figure 4)

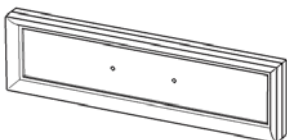
STEP 4

Attach Handle with machine screws. (See Figure 4)

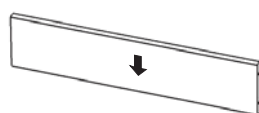


Tighten all screws used in drawer assembly.

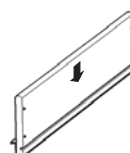
Part List



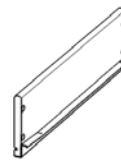
L1.
Drawer Front
2 pcs.



L2.
Drawer Back
2 pcs.



L3.
Drawer Side
2 pcs.

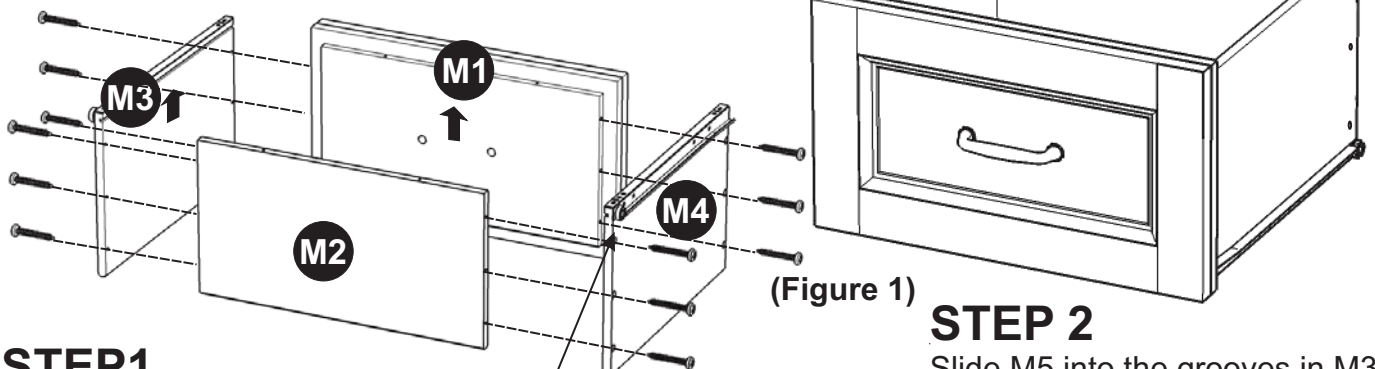


L4.
Drawer Side
2 pcs.



L5.
Drawer Bottom
2 pcs.

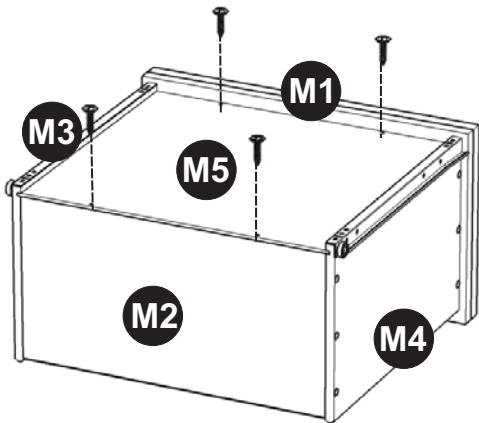
Drawer M



STEP 1

Attach M1 to M3 and M4, using a Phillips screwdriver and long wood screws (6X), tighten halfway.

Attach M2 to M3 and M4 using long wood screws (6X), tighten halfway. (See Figure 1)



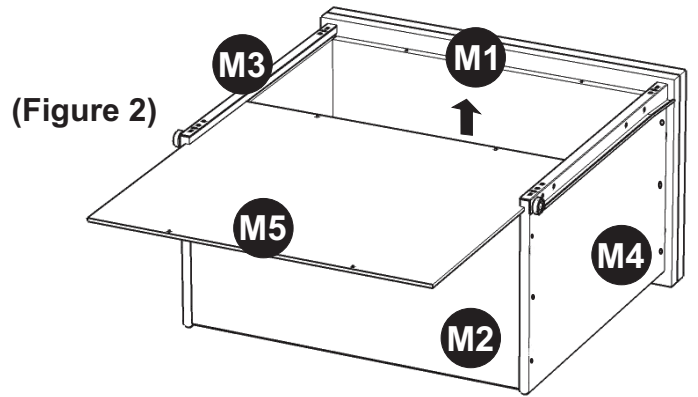
(Figure 3)

STEP 3

Insert short wood screws (4X) into the pre-drilled holes in M5, tighten screws. (See Figure 3)

STEP 2

Slide M5 into the grooves in M3 and M4. Be sure to push M5 all the way forward so it meets M1. (See Figure 2)

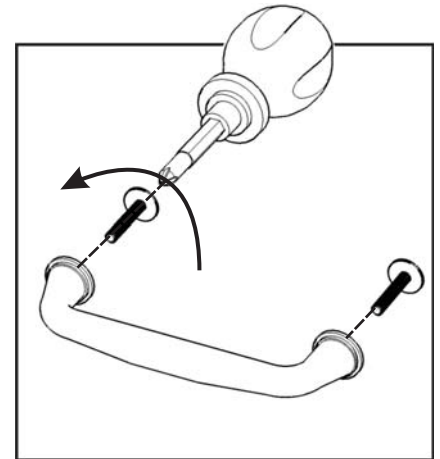


(Figure 2)

(Figure 4)

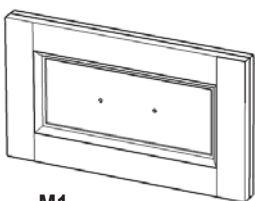
STEP 4

Attach Handle with machine screws. (See Figure 4)



Tighten all screws used in drawer assembly.

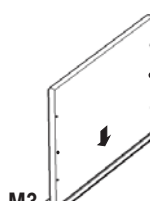
Part List



M1.
Drawer Front
2 pcs.



M2.
Drawer Back
2 pcs.



M3.
Drawer Side
2 pcs.



M4.
Drawer Side
2 pcs.



M5.
Drawer Bottom
2 pcs.