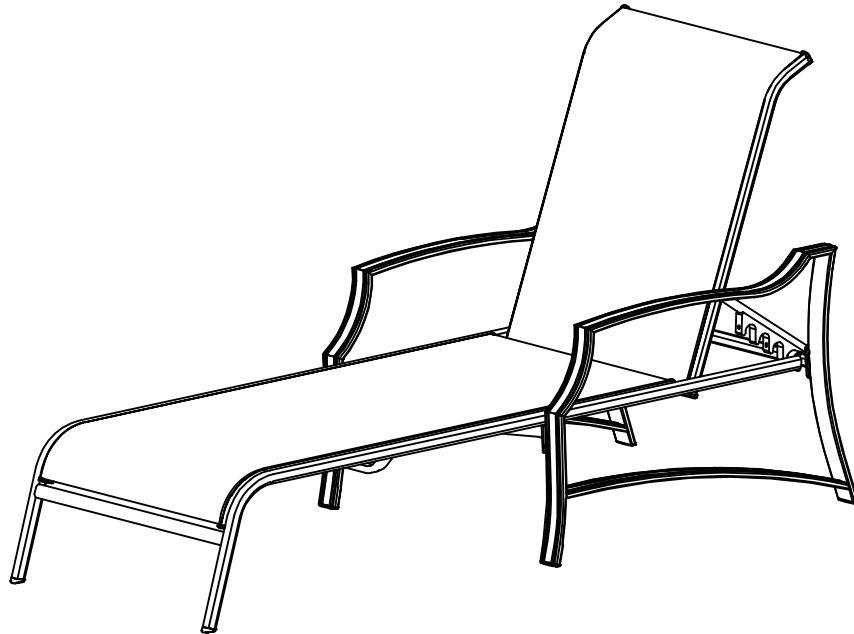




Item # 1001 868 827
1001 868 812
Model # FLA70310A
FLA70310A-W

USE AND CARE GUIDE

STATESVILLE ALUMINUM CHAISE



Questions, problems, missing parts? Before returning to the store,
call Hampton Bay Customer Service
8 a.m. - 7 p.m., EST, Monday - Friday, 9 a.m. - 6 p.m., EST, Saturday

1-855-HD-HAMPTON

HAMPTONBAY.COM

THANK YOU

We appreciate the trust and confidence you have placed in Hampton Bay through the purchase of this chaise. We strive to continually create quality products designed to enhance your home. Visit us online to see our full line of products available for your home improvement needs. Thank you for choosing Hampton Bay!

Table of Contents


Table of Contents.....	2	Pre-Assembly	3
Safety Information	2	Planning Assembly	3
Product Caution	2	Hardware Included	3
Safety Warnings	2	Package Contents	4
Warranty	2	Assembly	5
What is Covered	2	Care and Cleaning.....	9
What is Not Covered	2		


Safety Information


PRODUCT CAUTION


This chaise was made for the explicit purpose of providing outdoor functions and is not to be used as a toy. This product is intended for normal outdoor use; however, the manufacturer recommends storing and / or covering this chaise when any formidable / severe weather is approaching. Do not locate the product near open flames. Do not use the product as a support. Do not shake, lean or climb on the product. Children under the age of 10 near the product, should be supervised by a competent adult at all times. This product is NOT intended for commercial use and will void the warranty.

SAFETY WARNINGS

 **WARNING:** Weight limit for the chaise is 250 lbs (113.39 kg) for each seat.

 **CAUTION:** Do not locate the product near any heat source.

 **WARNING:** Never use this product as a support. Do not shake, lean, or climb on the chaise at any time.

 **CAUTION:** When not in use, secure the product in a cool and covered location.

Warranty

5 YEAR FRAME AND 2 YEAR FABRIC LIMITED WARRANTY

WHAT IS COVERED

We warrant the frames to be free of manufacturing defects to the original purchaser for five years, and a two year limited warranty for the fabric.

WHAT IS NOT COVERED

It remains the customer's responsibility for freight and packaging charges to and from our service center. This warranty does not cover commercial use, hardware, acts of nature, fire, freezing and abusive use. In addition, purchased parts are not covered under this warranty. We reserve the right to make substitutions with similar merchandise, if the model in question is no longer in production.

Contact the Customer Service Team at 1-855-HD-HAMPTON or visit www.HamptonBay.com.

Pre-Assembly

PLANNING ASSEMBLY

Read all instructions before assembly.

To avoid damaging this product, assemble it on a soft, non-abrasive surface such as carpet or cardboard.



NOTE: More than one person may be required to assemble this product.

HARDWARE INCLUDED



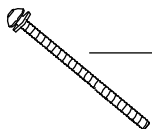
NOTE: Hardware not shown to actual size.



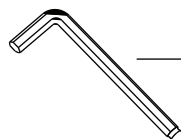
AA



BB



CC

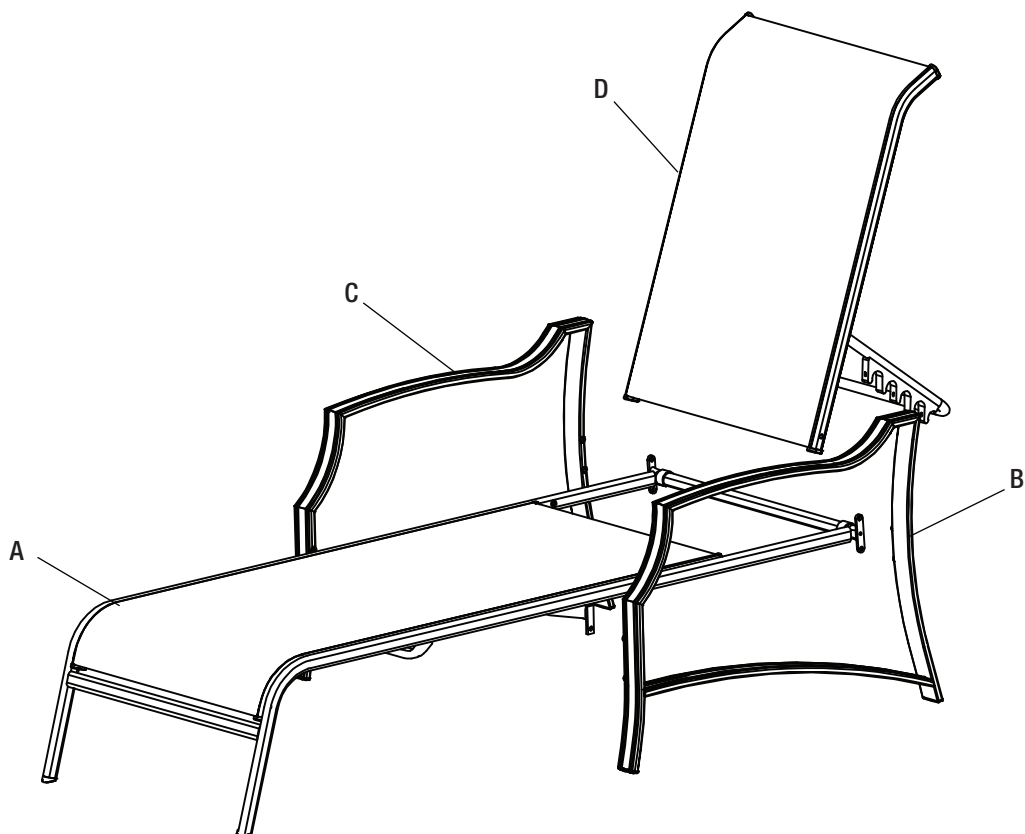


DD

Part	Description	Quantity
AA	M6x30 combination bolt	2+1
BB	M6x15 combination bolt	6+1
CC	M6x60 combination bolt	2+1
DD	Hex wrench	1

Pre-Assembly (continued)

PACKAGE CONTENTS



Part	Description	Quantity
A	Seat	1
B	Left arm	1
C	Right arm	1
D	Backrest	1

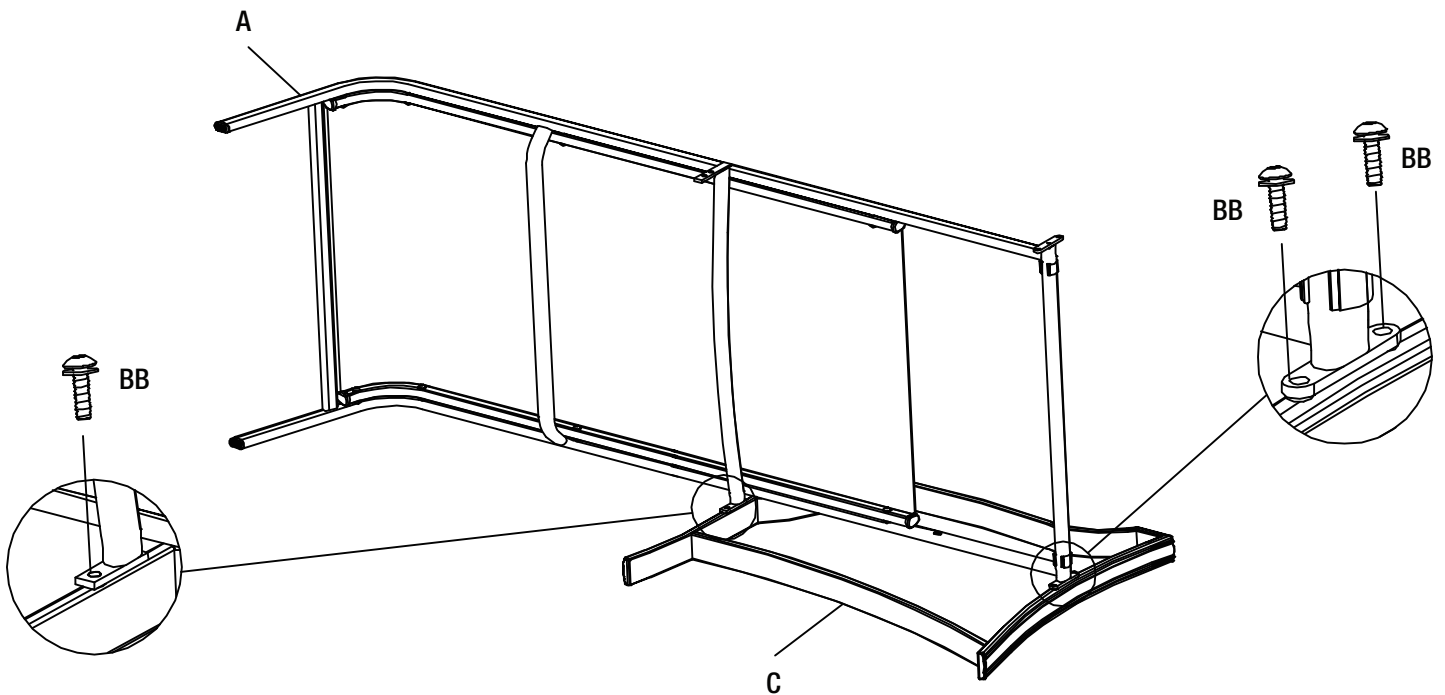
Assembly

1 Connecting the seat to the right arm

- Place the right arm (C) on a soft surface.
- Attach the seat (A) to the right arm (C) using M6x15 combination bolts (BB).



NOTE: Loosely tighten all bolts using the hex wrench (DD).



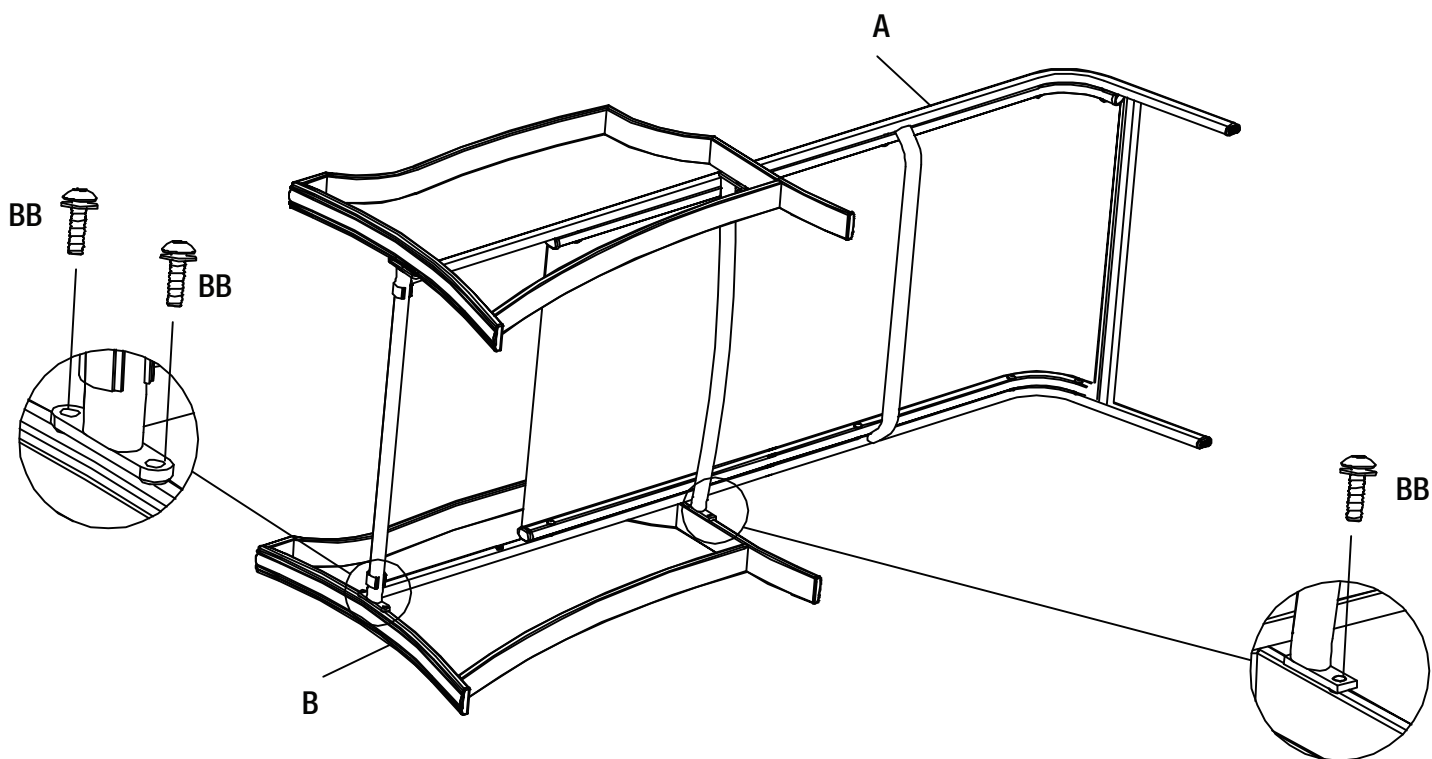
Assembly (continued)

2 Connecting the seat to the left arm

- Place the left arm (B) on a soft surface.
- Attach the seat (A) to the left arm (B) using M6x15 combination bolts (BB).



NOTE: Loosely tighten all bolts using the hex wrench (DD).



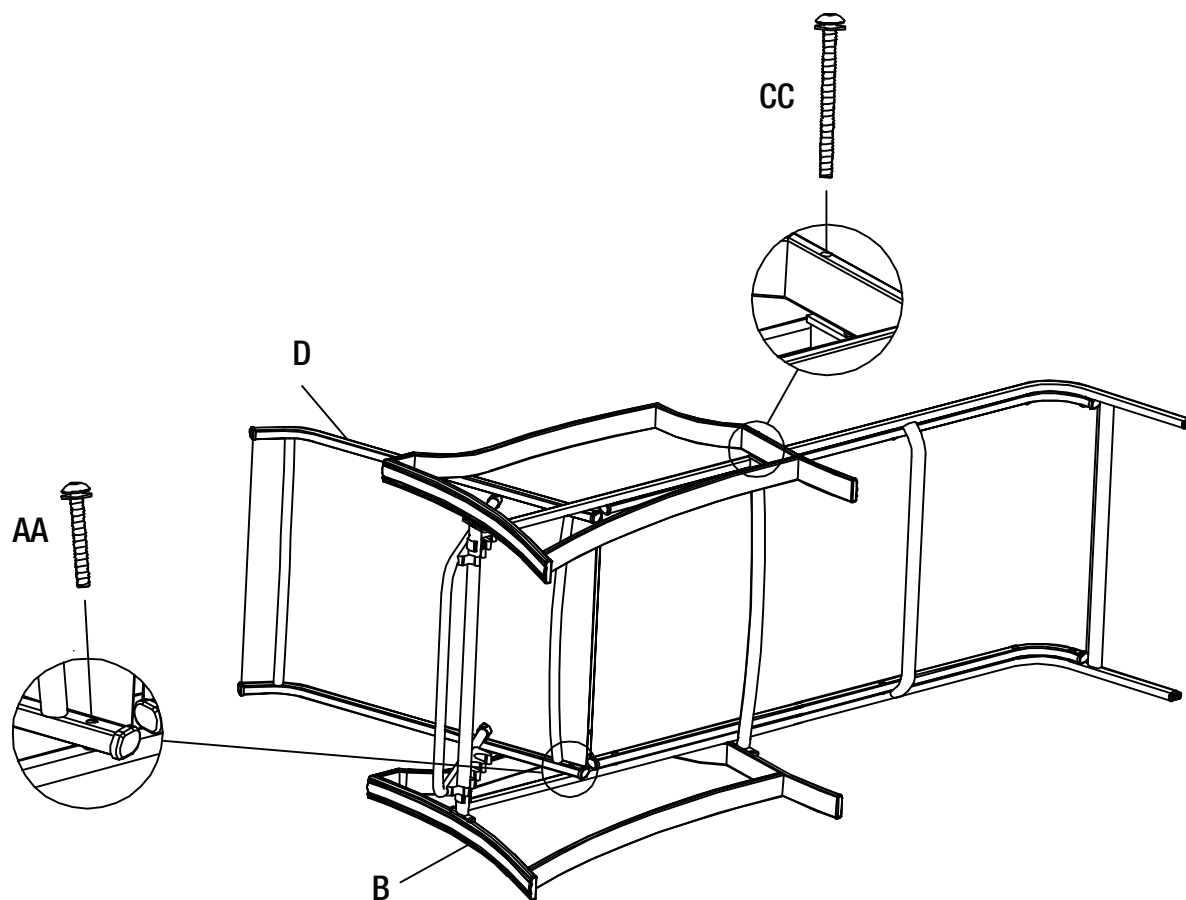
Assembly (continued)

3 Connecting the backrest to the left arm and the seat to the right arm

- Attach the backrest (D) to the left arm (B) using one M6x30 combination bolt (AA).
- Attach the seat (A) to the right arm (C) using one M6x60 combination bolt (CC).



NOTE: Loosely tighten all bolts using the hex wrench (DD).



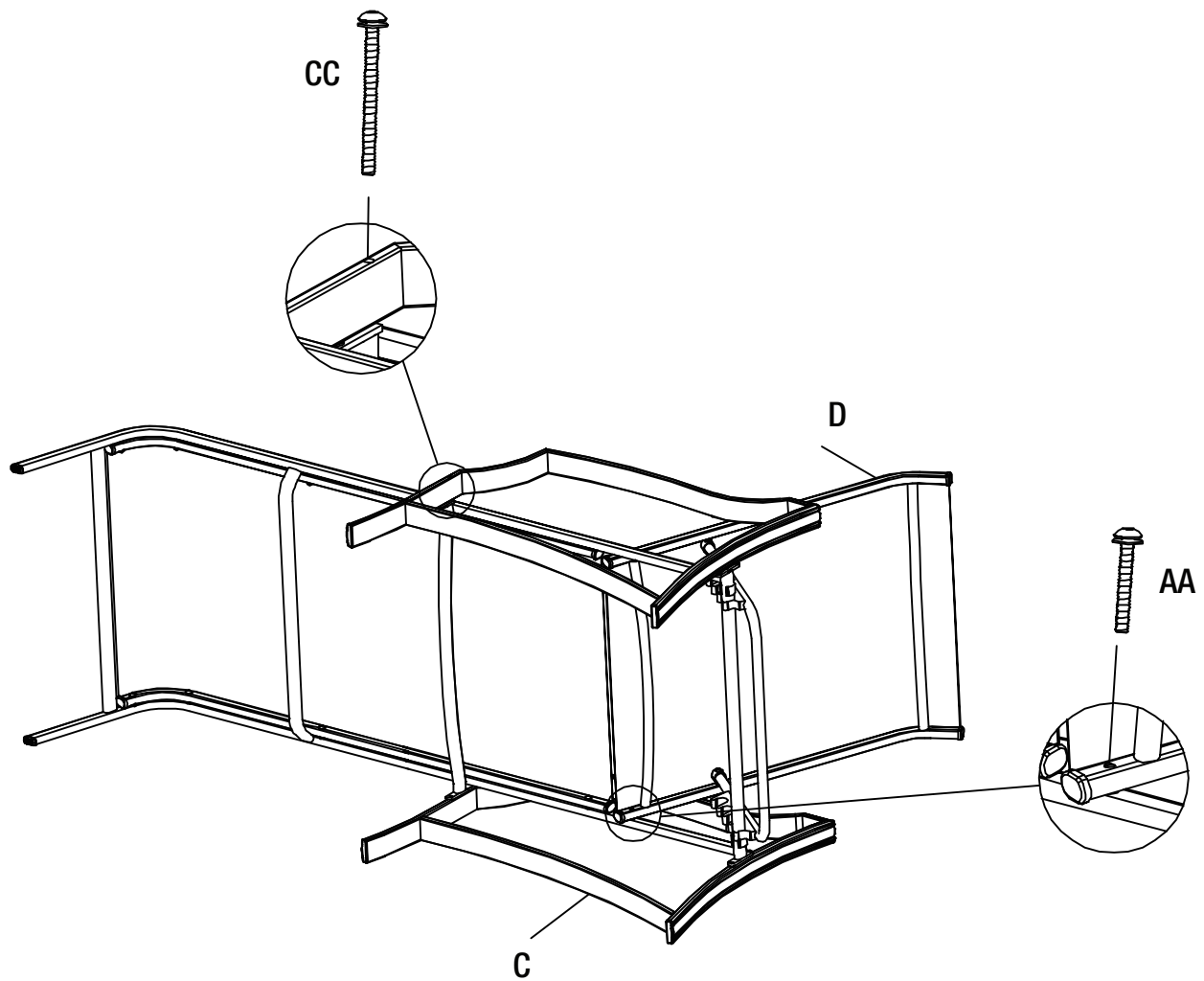
Assembly (continued)

4 Connecting the backrest to the right arm and the seat to the left arm

- Attach the backrest (D) to the right arm (C) using one M6x30 combination bolt (AA).
- Attach the seat (A) to the left arm (B) using one M6x60 bolt combination bolt (CC).



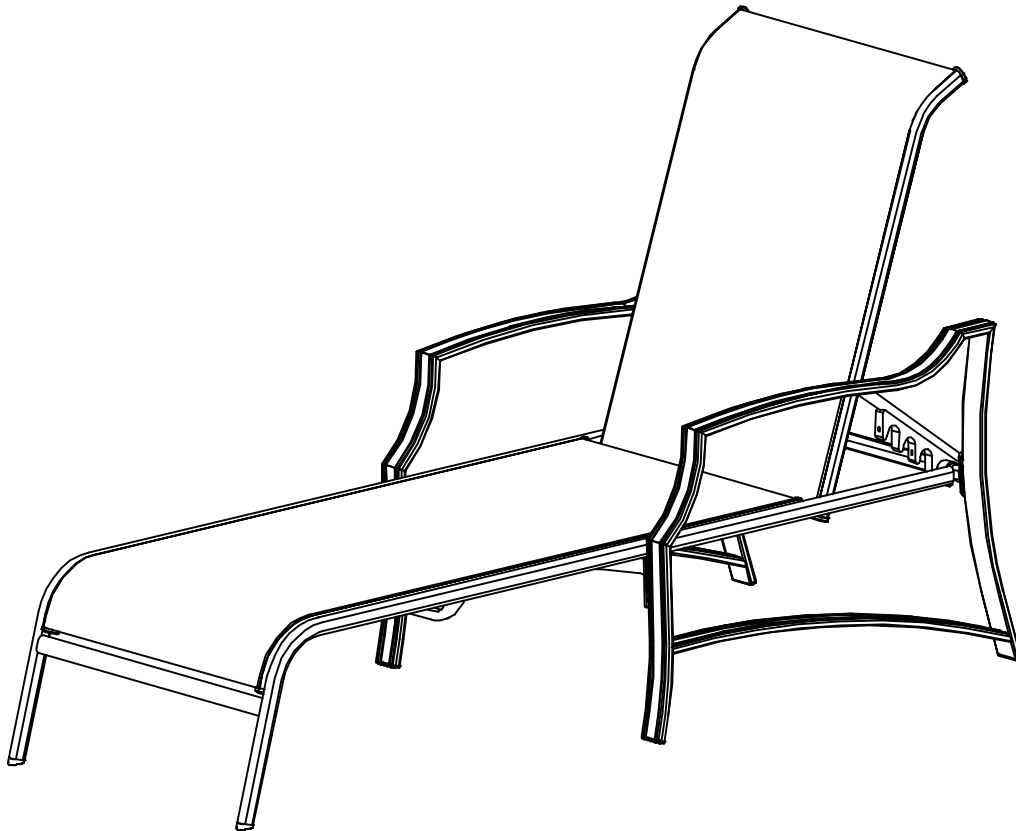
NOTE: Loosely tighten all bolts using the hex wrench (DD).



Assembly (continued)

5 Tightening all bolts

- Once all bolts are in place, fully tighten all bolts.
- Turn the chaise right side up.
- Ensure all connections are secure before use.



Care and Cleaning

- For best results, clean the chaise with a damp cloth and dry thoroughly. This will help prevent mildew by removing dirt particles that may accumulate.
- Do not clean with abrasive materials, bleach, or solvents.
- Store the chaise in a dry, sheltered place when not in use.
- Keep the chaise away from fire, extreme heat, freezing conditions, and inclement weather such as rain, hail, sleet, snow, or wind.



Questions, problems, missing parts? Before returning to the store,
call Hampton Bay Customer Service
8 a.m. - 7 p.m., EST, Monday - Friday, 9 a.m. - 6 p.m., EST, Saturda

1-855-HD-HAMPTON

HAMPTONBAY.COM

Retain this manual for future use.