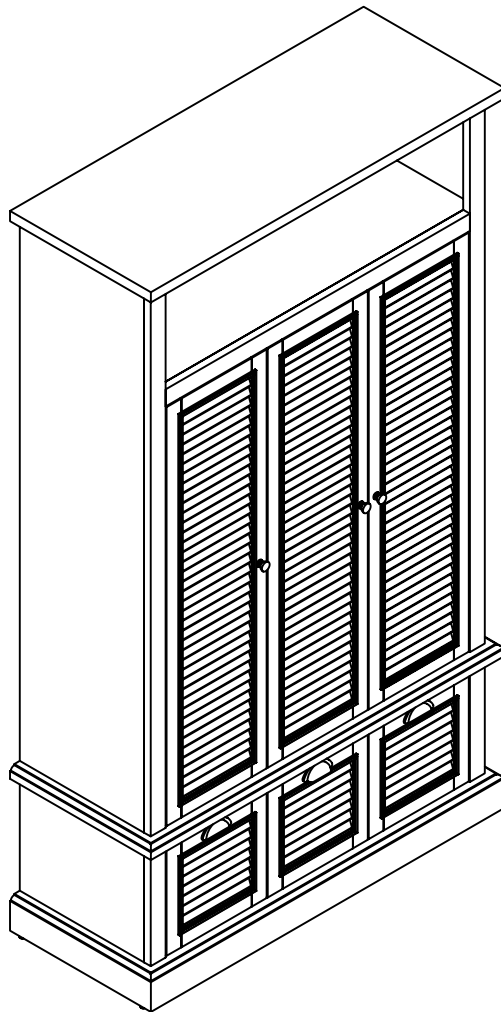


HOME DECORATORS COLLECTION

INV# 23109

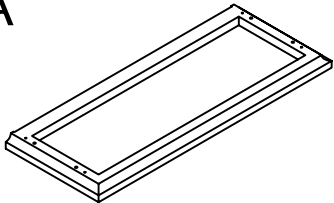
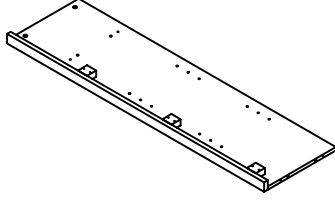
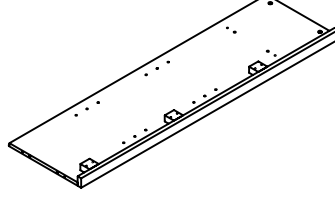
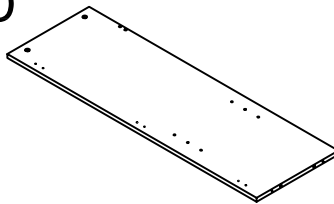
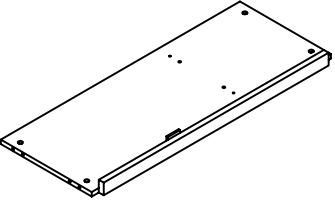
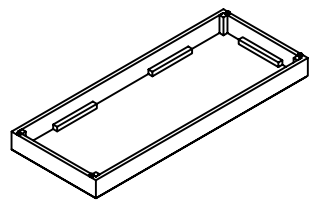
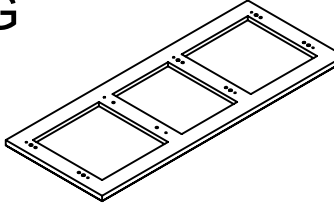
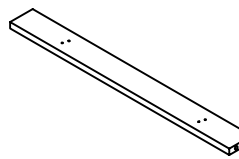
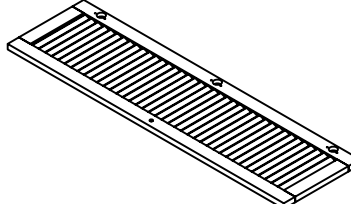
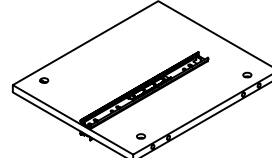
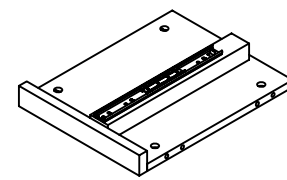
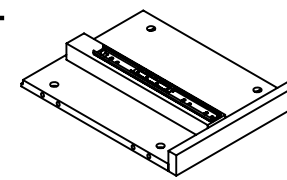
SK17013Br1 SHUTTER CLOSED LOCKER STORAGE 74"Hx42"Wx17"D
ASSEMBLY INSTRUCTIONS

Made In China

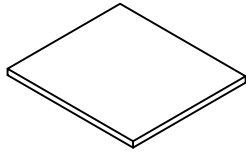


Thank you for purchasing this quality product. Be sure to check all packing material carefully for small parts, which may have come loose inside the carton during shipment. Count all parts and material hardware, then compare with parts list to be sure all parts are present. If any parts are missing or damaged, please contact our Customer Service Department for efficient and speedy service. Please indicate the model number and code letter of part(s) needed.

IMPORTANT NOTE: Follow instructions listed below in proper sequence as numbered to assure fast, easy and correct assembly.

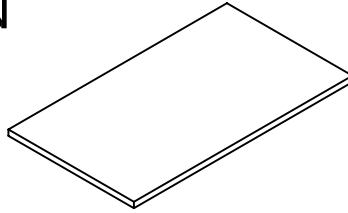
| PARTS LIST | | |
|-------------------------------------------------------------------------------------------------|-------------------------------------------------------------------------------------------------|---------------------------------------------------------------------------------------------------|
| A  | B  | C  |
| TOP PANEL-1PC | UP LEFT SIDE PANEL-1PC | UP RIGHT SIDE PANEL-1PC |
| D  | E  | F  |
| UP MIDDLE PANEL-1PC | UP FIXED PANEL-1PC | BOTTOM PANEL-1PC |
| G  | H  | I  |
| DOWN FIXED PANEL-1PC | BACK CROSS BRACE-1PC | LEFT SIDE DOOR-2PCS |
| J  | K  | L  |
| DOWN MIDDLE PANEL-2PCS | DOWN LEFT SIDE PANEL-1PC | DOWN RIGHT SIDE PANEL-1PC |

M



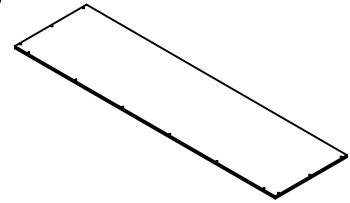
SHORT
ADJUSTABLE SHELF-2PCS

N



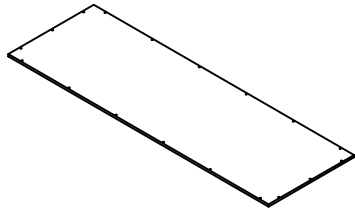
LONG
ADJUSTABLE SHELF-1PC

O



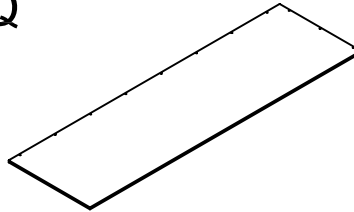
UP BACK PANEL-1PC

P



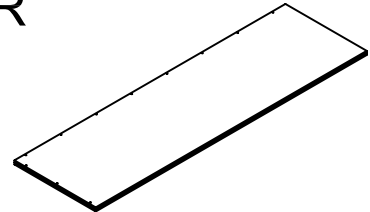
DOWN BACK PANEL-1PC

Q



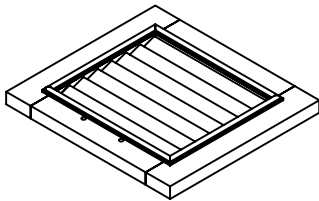
LEFT SIDE
BACK PANEL-1PC

R



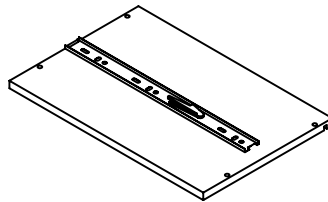
RIGHT SIDE
BACK PANEL-1PC

S



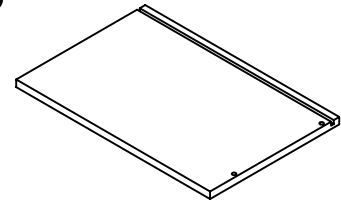
DRAWER
FRONT PANEL-3PCS

T



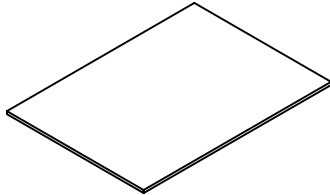
DRAWER
LEFT SIDE PANEL-3PCS

U



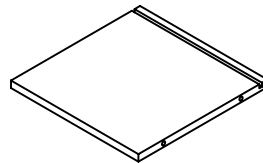
DRAWER
RIGHT SIDE PANEL-3PCS

V



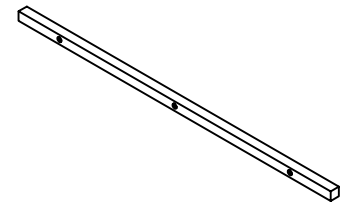
DRAWER
BOTTOM PANEL-3PCS

W



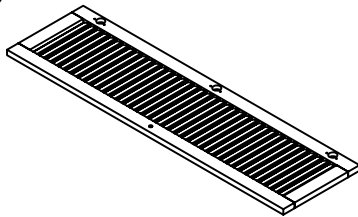
DRAWER
BACK PANEL-3PCS

X




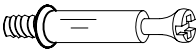

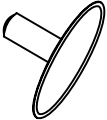


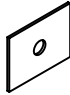
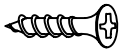
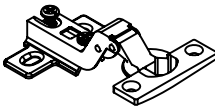
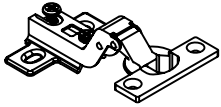

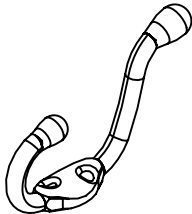
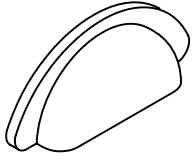

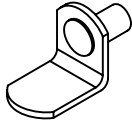
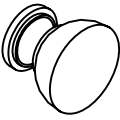





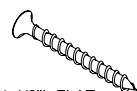




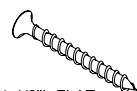




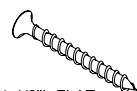
FRONT CROSS BRACE-1PC

Y



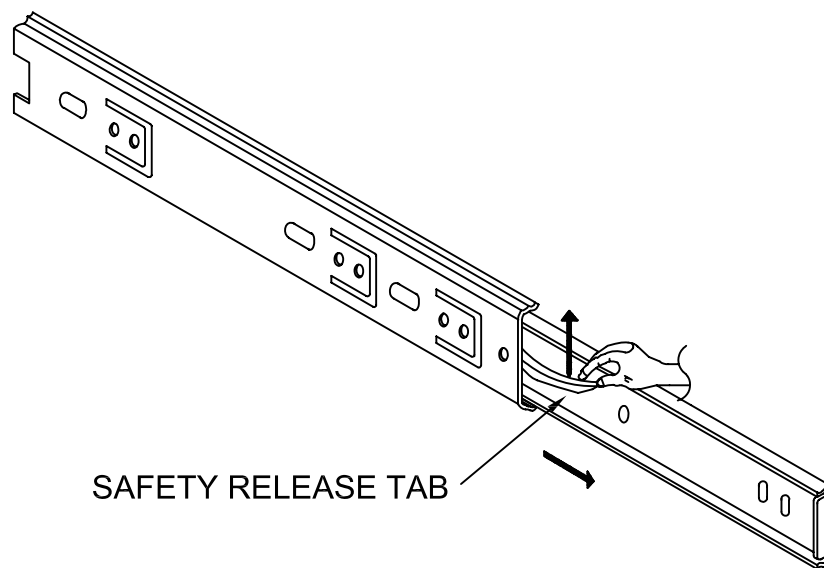
RIGHT SIDE DOOR-1PC

NOTE:THE SURFACE WITH THE STICKER IS THE BACK SIDE

| | | | | | | | | | | | | |
|-----------------------------------------------------------------------------------------------------------------------------------------|---------------------------------------------------------------------------------------------------------------------------------------|-----------------------------------------------------------------------------------------------------------------------------------------------------------------------------------------------------------------------------------------------------------------------------------------------------------------------------------------------------------------------------------------------------------------------------------------------------------------------------------------------------------------------------------------------------------------------------------------------------------------------------------------------------------------------------------------------------------------------------------------------------------------------------------------------------------------------------------------------------------------------------------------------------------------------------------------------------------------------------------------------------------------------|-----------------------------------------------------------------------------------------------------------------------------------------|--------------------------------------------------------------------------------------------------------------------------------------|----------------------------------------------------------------------------------------------------------------------------|---------------------------------------------------------------------------------------------------------------------------|--------------------------------------------------------------------------------------------------------------------------------------|-------------------------------|--|--|--|--|
| <p>a</p>  <p>WOOD DOWEL-38PCS</p> | <p>b</p>  <p>CAM LOCK BOLT-26PCS</p> | <p>c</p>  <p>CAM LOCK-26PCS</p> | | | | | | | | | | |
| <p>d</p>  <p>PLASTIC COVER-6PCS</p> | <p>e</p>  <p>1-1/4" FLAT HEAD SCREW-33PCS</p> | <p>f</p>  <p>ROUND HEAD SCREW-67PCS</p> | | | | | | | | | | |
| <p>g</p>  <p>METAL PLATE-11PCS</p> | <p>h</p>  <p>5/8" FLAT HEAD SCREW-36PCS</p> | <p>i</p>  <p>HINGE(1)-3PCS</p> | | | | | | | | | | |
| <p>j</p>  <p>HINGE(2)-6PCS</p> | <p>k</p>  <p>1/2" FLAT HEAD SCREW-4PCS</p> | <p>l</p>  <p>POTHOOK-2PCS</p> | | | | | | | | | | |
| <p>m</p>  <p>HANDLE-3PCS</p> | <p>n</p>  <p>HANDLE BOLT-6PCS</p> | <p>o</p>  <p>SHELF PIN-12PCS</p> | | | | | | | | | | |
| <p>p</p>  <p>KNOB-3PCS</p> | <p>q</p>  <p>KNOB BOLT-3PCS</p> | <table border="0"> <tr> <td data-bbox="660 1686 804 1906"> <p>1</p>  <p>x2 RECTANGLE METAL PLATE</p> </td> <td data-bbox="809 1686 952 1906"> <p>2</p>  <p>1/2"L FLAT HEAD SCREW</p> </td> <td data-bbox="957 1686 1101 1906"> <p>3</p>  <p>PLASTIC ANCHOR</p> </td> <td data-bbox="1106 1686 1249 1906"> <p>4</p>  <p>PLASTIC BAND</p> </td> <td data-bbox="1254 1686 1412 1906"> <p>5</p>  <p>1-1/2"L FLAT HEAD SCREW</p> </td> </tr> <tr> <td colspan="5" style="text-align: center;">ANTI-TIPPING HARDWARE PACKAGE</td> </tr> </table> | <p>1</p>  <p>x2 RECTANGLE METAL PLATE</p> | <p>2</p>  <p>1/2"L FLAT HEAD SCREW</p> | <p>3</p>  <p>PLASTIC ANCHOR</p> | <p>4</p>  <p>PLASTIC BAND</p> | <p>5</p>  <p>1-1/2"L FLAT HEAD SCREW</p> | ANTI-TIPPING HARDWARE PACKAGE | | | | |
| <p>1</p>  <p>x2 RECTANGLE METAL PLATE</p> | <p>2</p>  <p>1/2"L FLAT HEAD SCREW</p> | <p>3</p>  <p>PLASTIC ANCHOR</p> | <p>4</p>  <p>PLASTIC BAND</p> | <p>5</p>  <p>1-1/2"L FLAT HEAD SCREW</p> | | | | | | | | |
| ANTI-TIPPING HARDWARE PACKAGE | | | | | | | | | | | | |

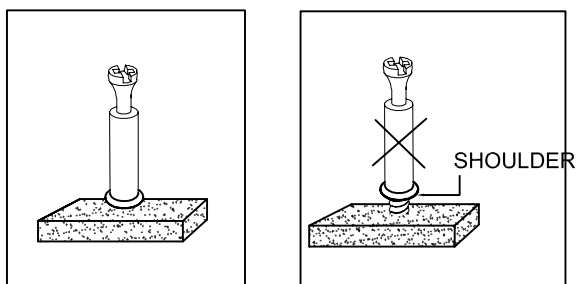
NOTE:THE SURFACE WITH THE STICKER IS THE BACK SIDE

HOW TO SEPARATE GLIDES



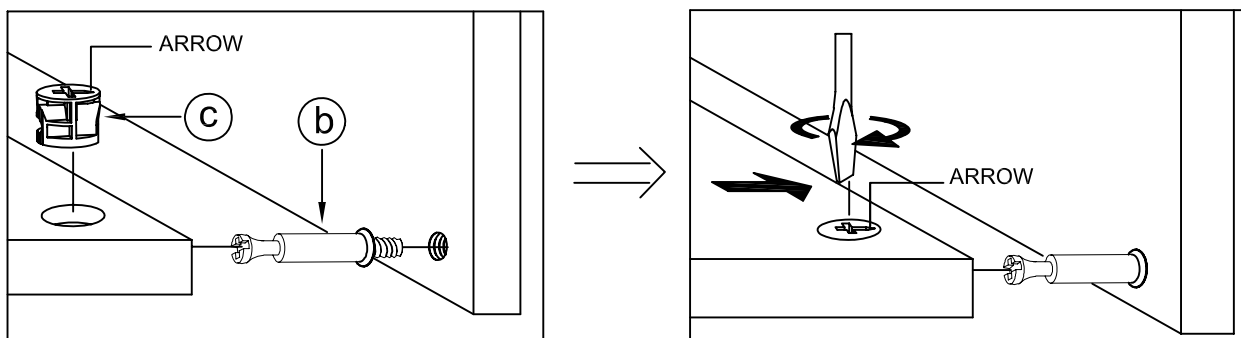
PRIOR TO ASSEMBLY, WE SUGGEST SEPARATING THE INNER GLIDES FROM THE OUTER-GLIDES, SIMPLY PULL THE LEFT/RIGHT INNER GLIDES FROM THE OUTER GLIDES EXPOSING A SMALL BLACK SAFETY RELEASE TAB, BY PUSHING THE SAFETY RELEASE TAB. YOU WILL BE ABLE TO SEPARATE THE GLIDES.

NOTE: • UPON OPENING, THOROUGHLY CLEAN ALL WOOD SURFACES TO REMOVE DUST AND DIRT THAT MAY HAVE SETTLED ONTO THE FINISH DURING SHIPMENT. IN ORDER TO PREVENT DAMAGE DURING ASSEMBLY. PLEASE ASSEMBLE THIS ITEM WITH AT LEAST TWO PEOPLE.



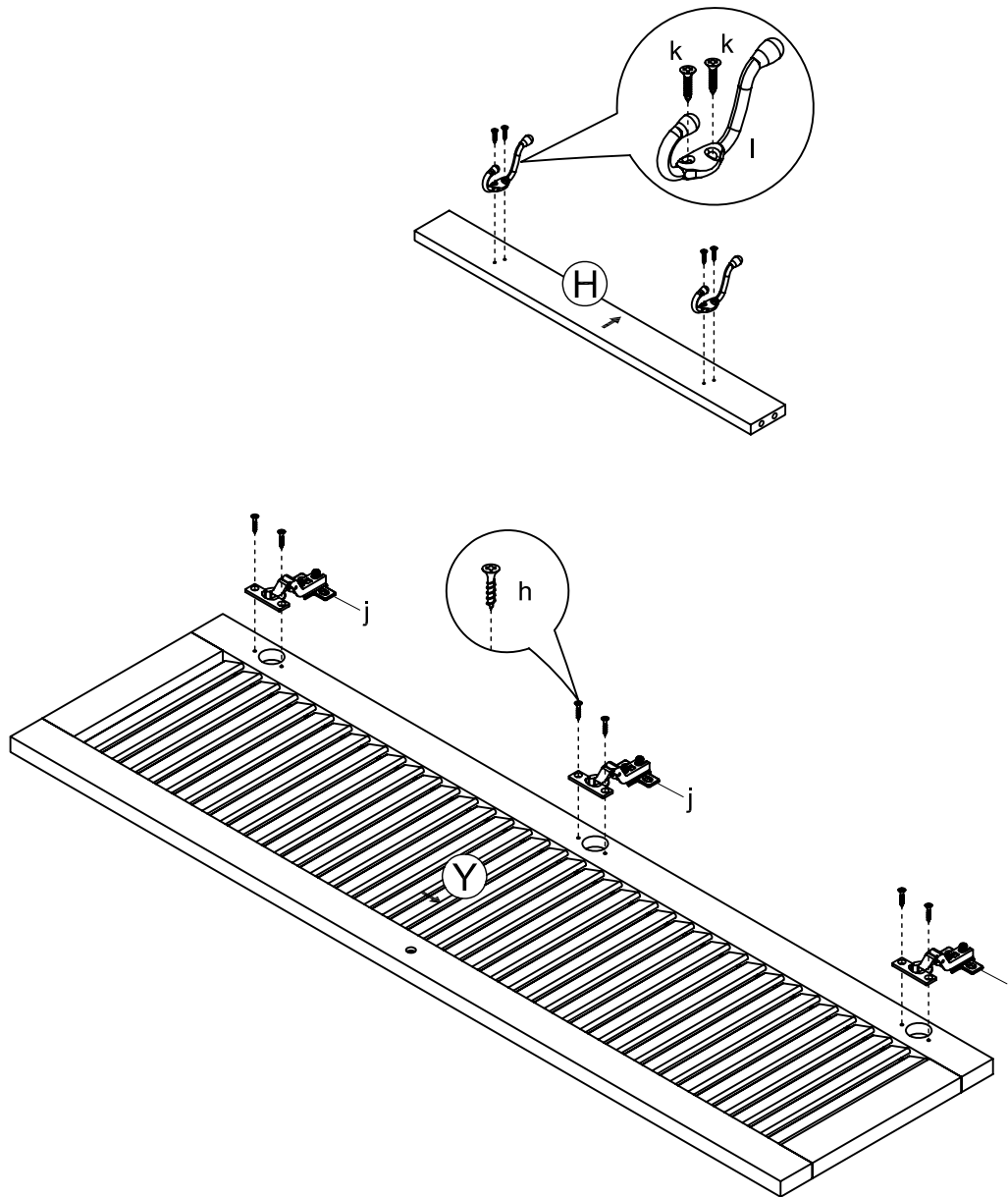
NOTE: TURN THE CAM-BOLT SCREWS UNTIL THEY ARE TIGHT, THE SHOULDER SHOULD BE AGAINST THE SURFACE OF THE PART.

HOW TO USE THE CAM-TOOL



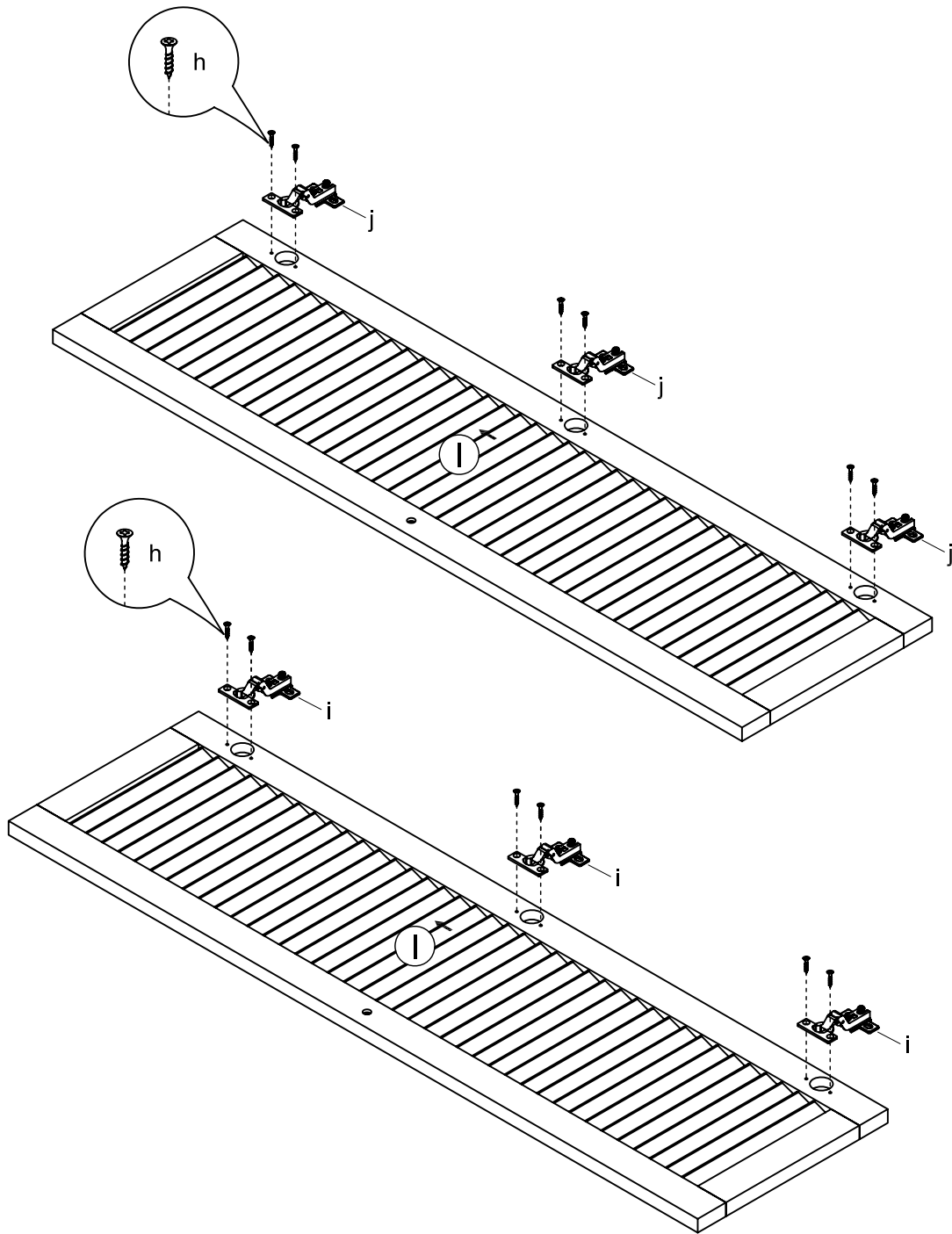
NOTE: • THE ARROWS ON THE HIDDEN CAM-LOCKS SHOULD POINT TO THE CAM-BOLTS.

FIG 1



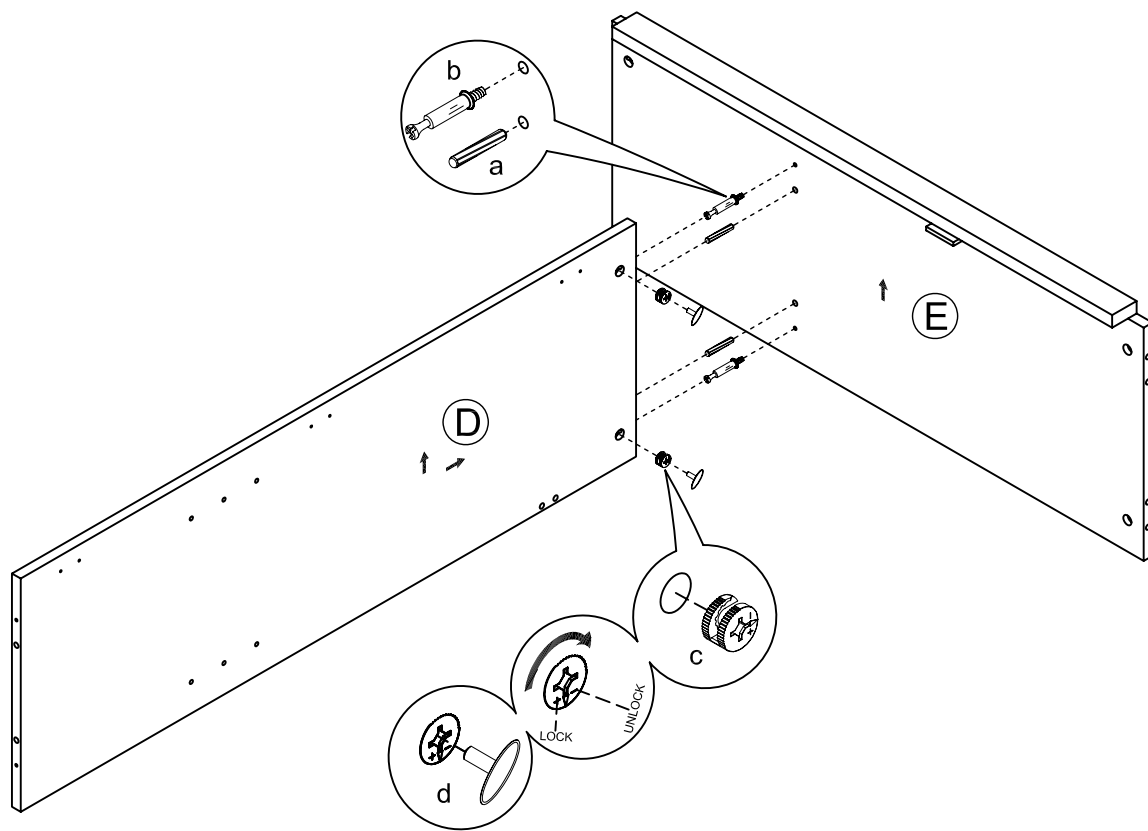
- ATTACH THE POTHOOK (I) TO THE BACK CROSS BRACE (H)
BY USING THE 1/2" FLAT HEAD SCREW (k).
- ATTACH THE HINGE (j) TO THE RIGHT SIDE DOOR (Y)
BY USING THE 5/8" FLAT HEAD SCREW (h).

FIG 2



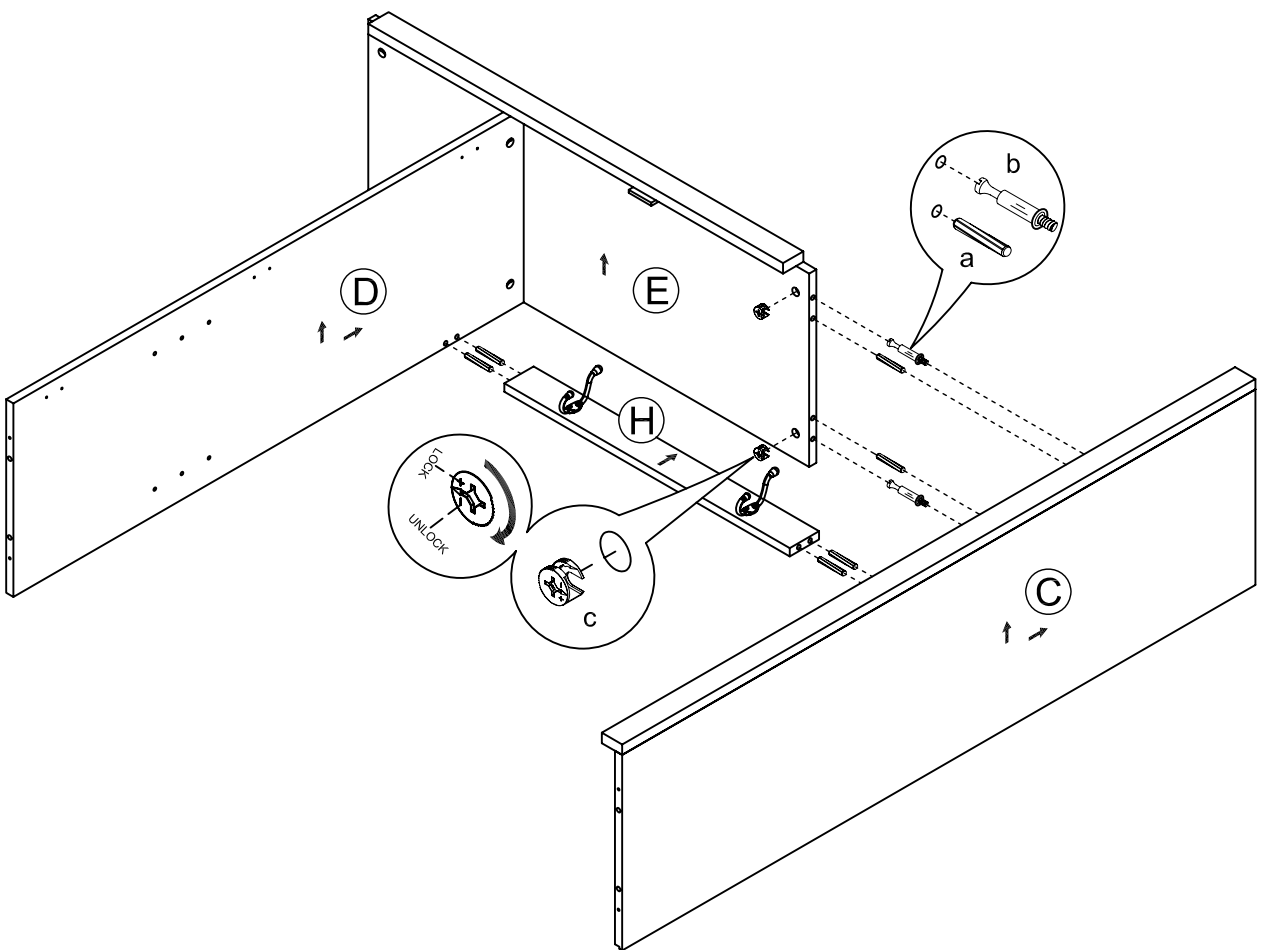
- ATTACH THE HINGE (i & j) TO THE LEFT SIDE DOOR (I)
BY USING THE 5/8" FLAT HEAD SCREW (h).

FIG 3



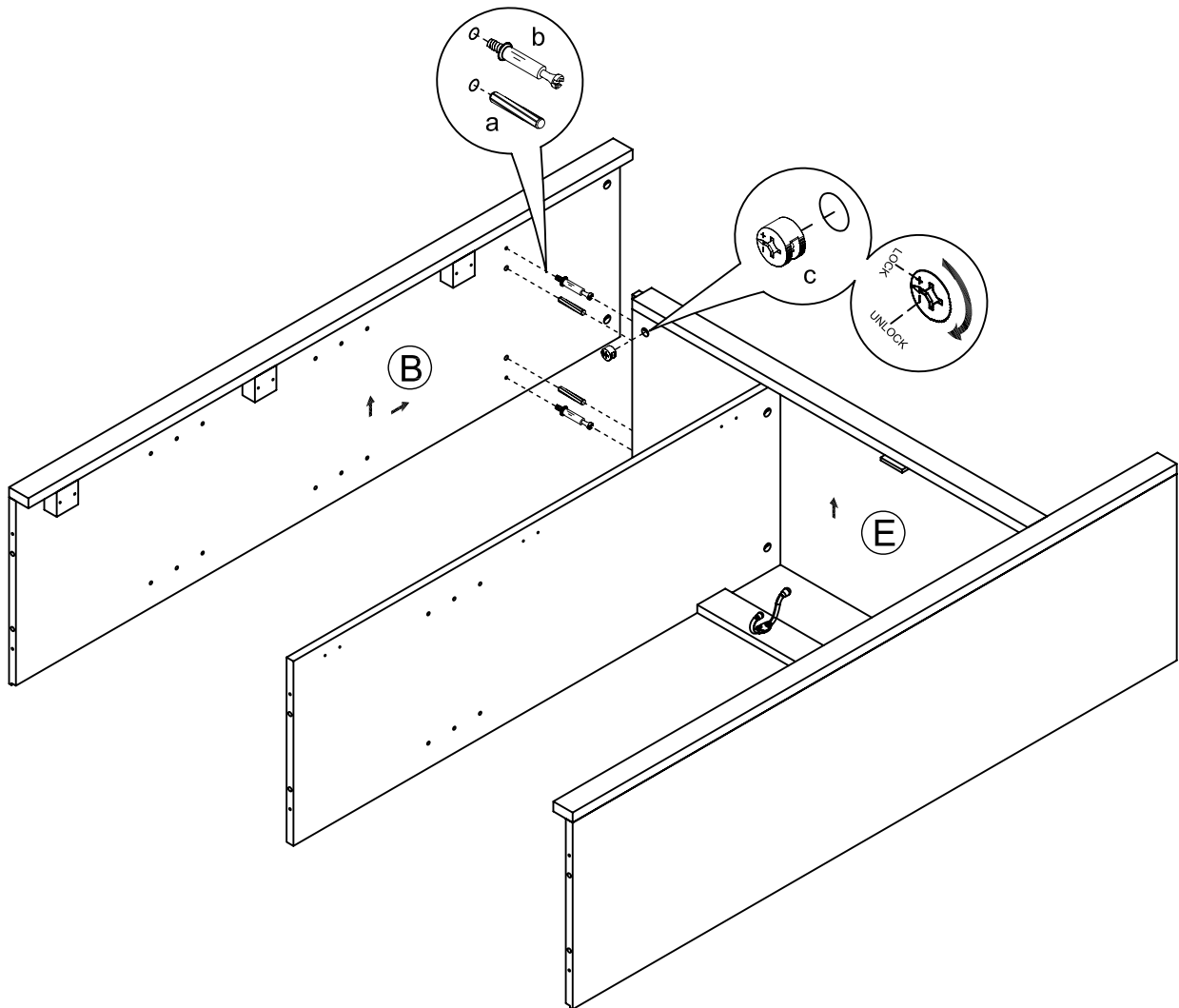
- INSTALL THE WOOD DOWEL (a) AND THE CAM LOCK BOLT (b) INTO THE UP FIXED PANEL (E).
- JOIN THE UP FIXED PANEL (E) TO THE UP MIDDLE PANEL (D) BY USING WOOD DOWEL (a) FIRST.
- TIGHTEN THE CAM LOCK BOLT (b) BY USING THE CAM LOCK (c) FROM PRE-DRILLED HOLES.
- COVER THE CAM HOLES WITH PLASTIC COVER (d).

FIG 4



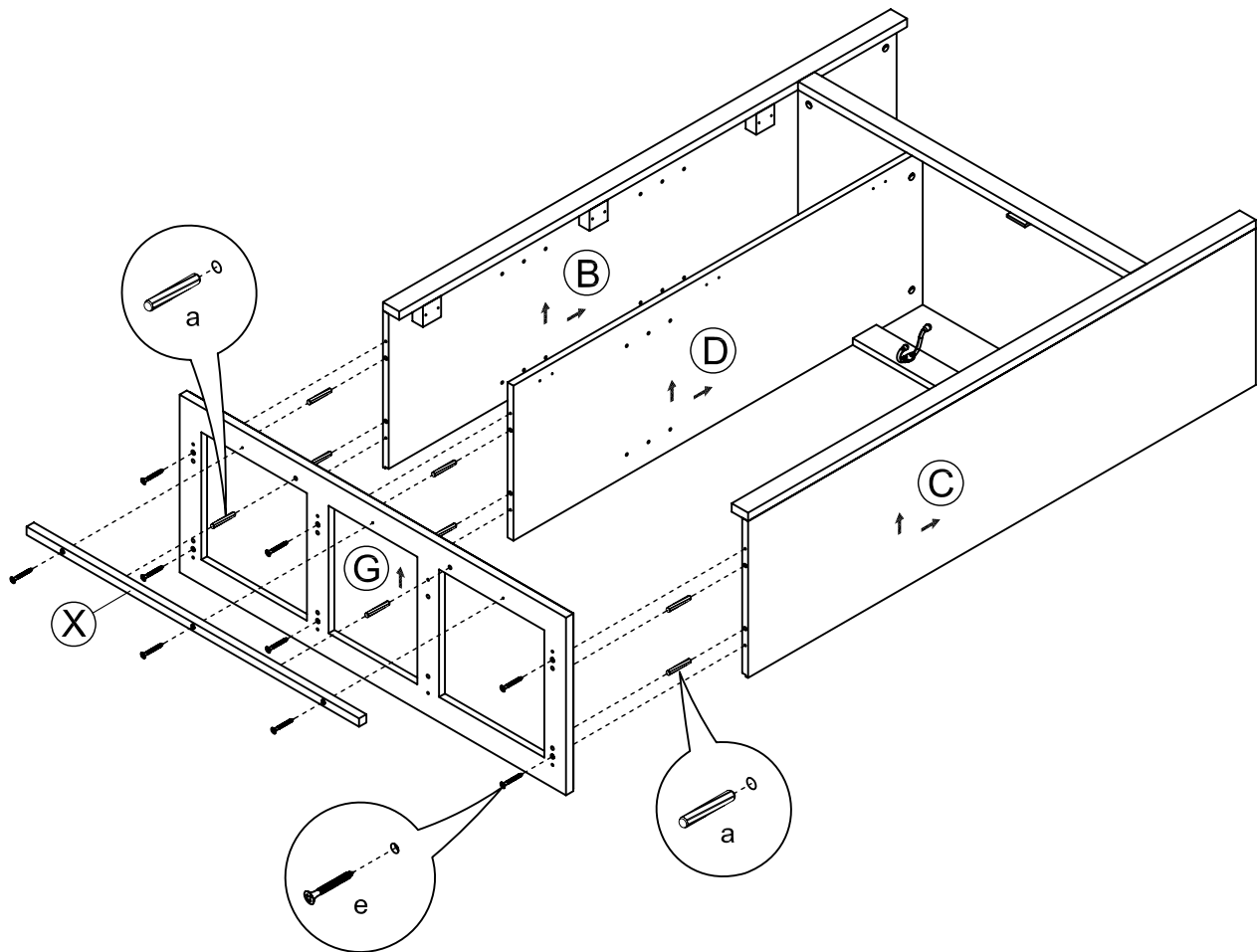
- JOIN THE UP RIGHT SIDE PANEL (C) AND THE BACK CROSS BRACE (H) TO THE ASSEMBLED PART BY USING WOOD DOWEL (a) FIRST.
- INSTALL THE WOOD DOWEL (a) AND THE CAM LOCK BOLT (b) INTO THE UP RIGHT SIDE PANEL (C) , INSTALL THE WOOD DOWEL (a) INTO THE UP MIDDLE PANEL (D).
- TIGHTEN THE CAM LOCK BOLT (b) WITH THE CAM LOCK (c) FROM PRE-DRILLED HOLES.

FIG 5



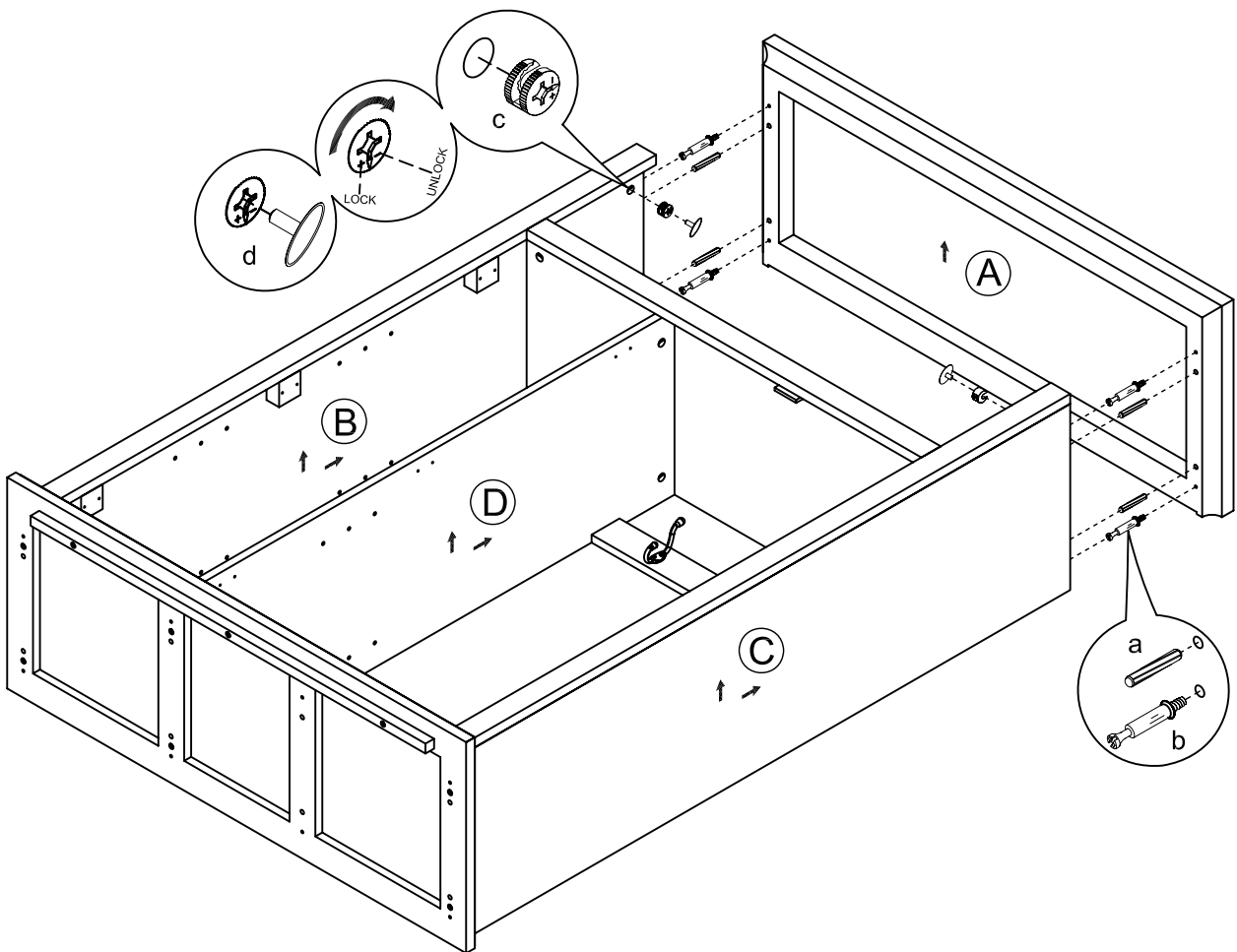
- INSTALL THE WOOD DOWEL (a) AND THE CAM LOCK BOLT (b) INTO THE UP LEFT SIDE PANEL (B).
- JOIN THE UP LEFT SIDE PANEL (B) TO THE ASSEMBLED PART BY USING WOOD DOWEL (a) FIRST.
- TIGHTEN THE CAM LOCK BOLT (b) WITH THE CAM LOCK (c) FROM PRE-DRILLED HOLES.

FIG 6



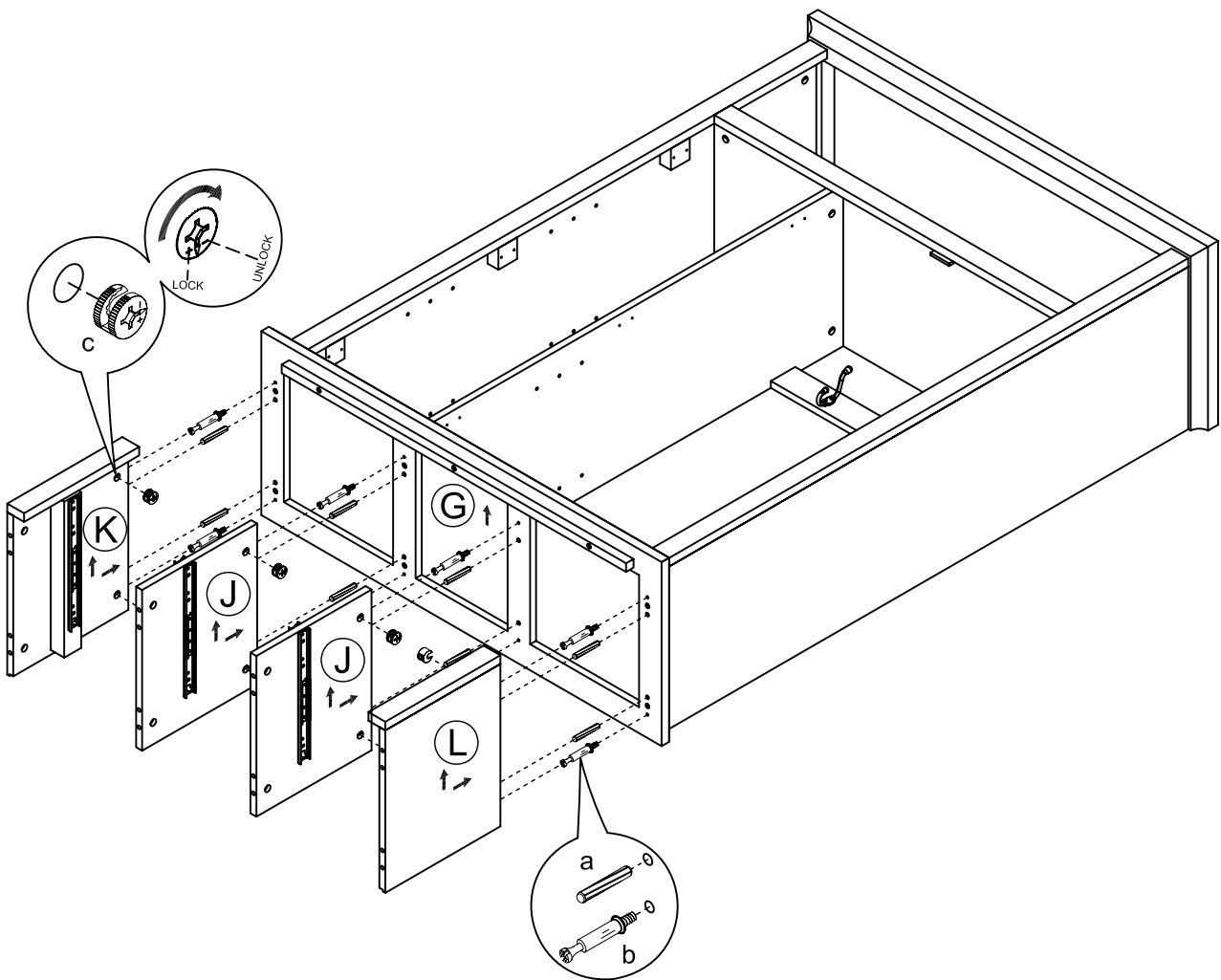
- INSTALL THE WOOD DOWEL (a) INTO THE DOWN FIXED PANEL (G).
- JOIN THE DOWN FIXED PANEL (G) TO THE ASSEMBLED PART BY USING WOOD DOWEL (a) AND THE 1-1/4" FLAT HEAD SCREW (e).
- INSTALL THE WOOD DOWEL (a) INTO THE FRONT CROSS BRACE (X).
- JOIN THE FRONT CROSS BRACE (X) TO THE DOWN FIXED PANEL (G) BY USING WOOD DOWEL (a) AND THE 1-1/4" FLAT HEAD SCREW (e).

FIG 7



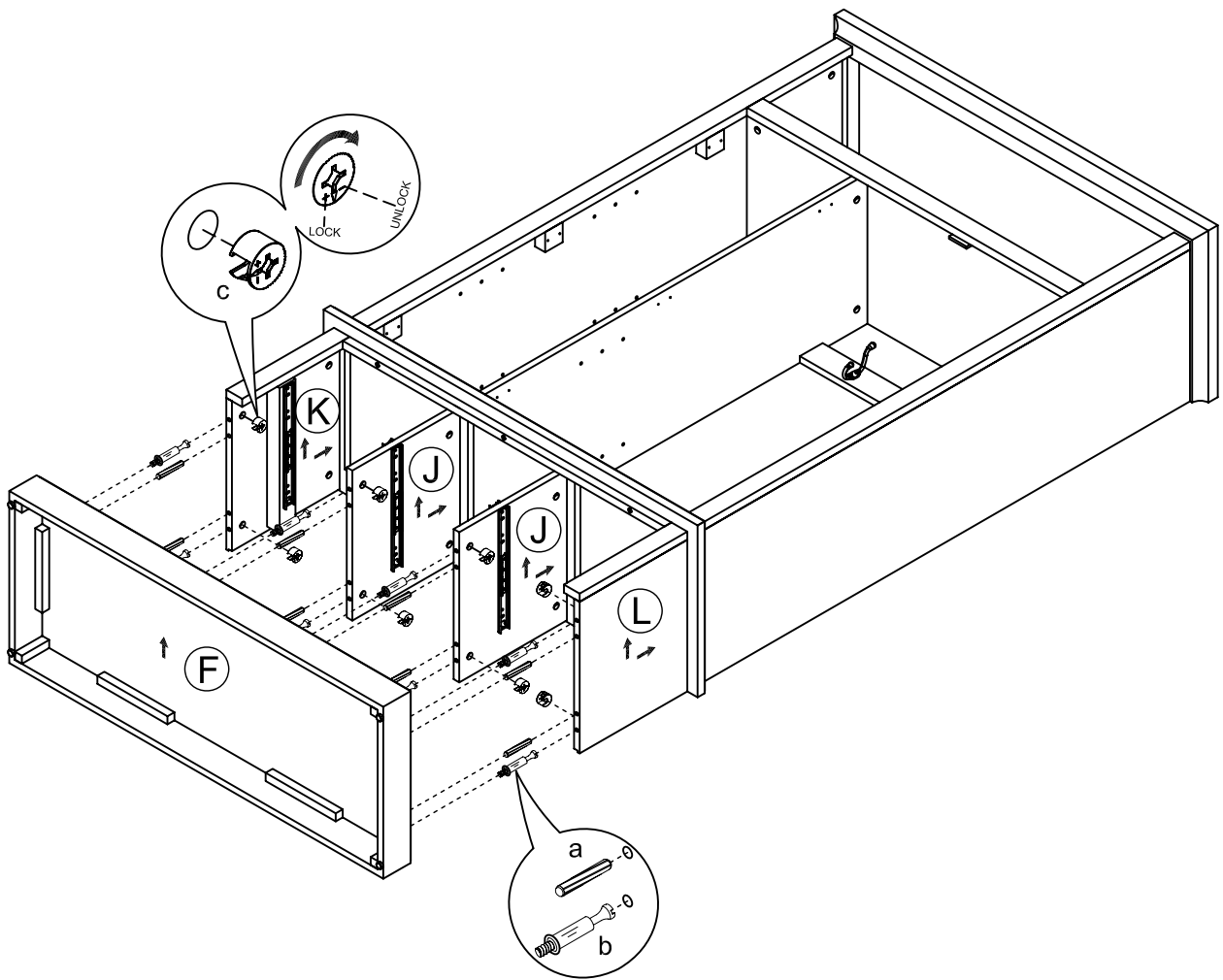
- INSTALL THE WOOD DOWEL (a) AND THE CAM LOCK BOLT (b) INTO THE TOP PANEL (A).
- JOIN THE TOP PANEL (A) TO THE ASSEMBLED PART BY USING WOOD DOWEL (a) FIRST.
- TIGHTEN THE CAM LOCK BOLT (b) WITH THE CAM LOCK (c) FROM PRE-DRILLED HOLES.
- COVER THE CAM HOLES WITH PLASTIC COVER (d) .

FIG 8



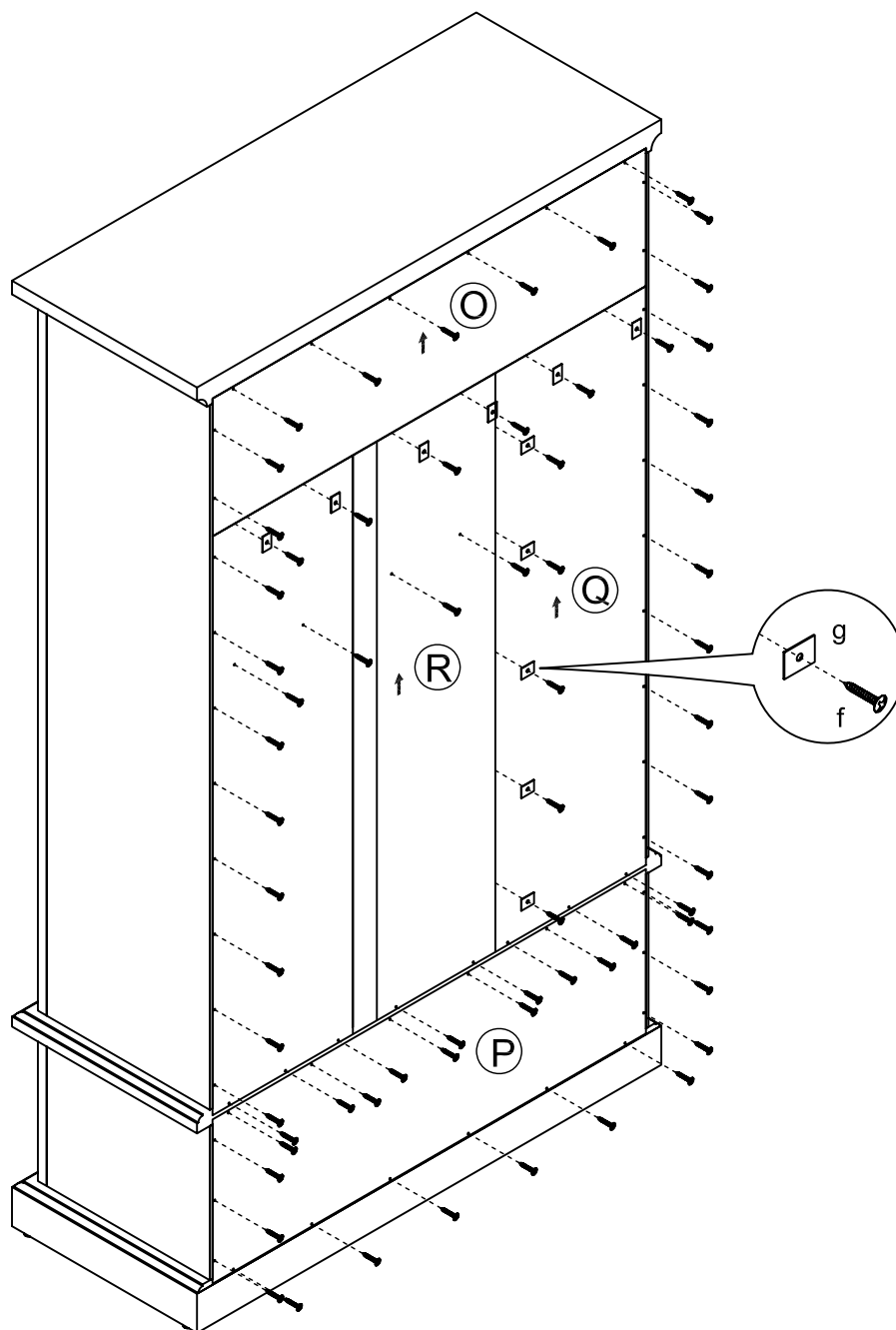
- INSTALL THE WOOD DOWEL (a) AND THE CAM LOCK BOLT (b) INTO THE DOWN FIXED PANEL (G).
- JOIN THE DOWN LEFT SIDE PANEL (K) THE DOWN RIGHT SIDE PANEL (L) AND THE DOWN MIDDLE PANEL (J) TO THE DOWN FIXED PANEL (G) BY USING WOOD DOWEL (a) FIRST.
- TIGHTEN THE CAM LOCK BOLT (b) WITH THE CAM LOCK (c) FROM PRE-DRILLED HOLES.

FIG 9



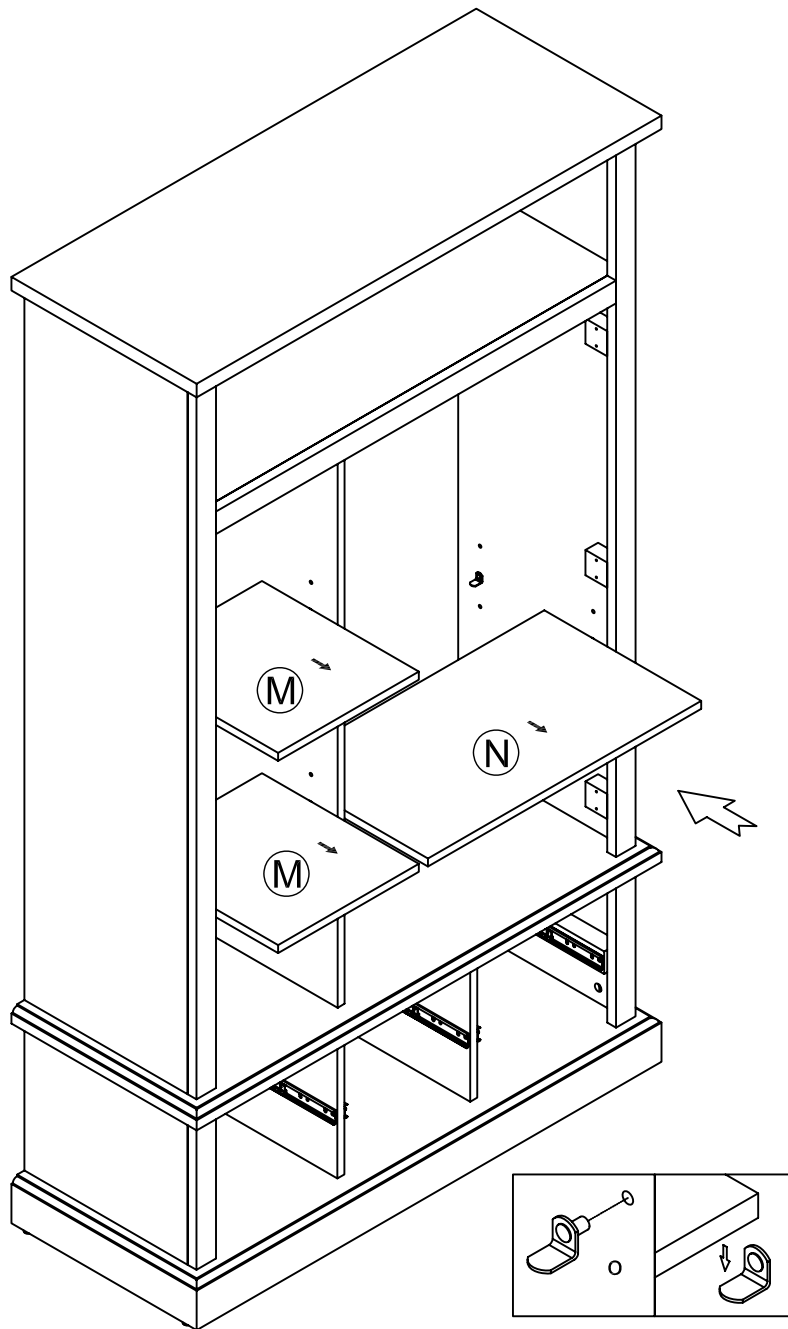
- INSTALL THE WOOD DOWEL (a) AND THE CAM LOCK BOLT (b) INTO THE BOTTOM PANEL (F).
- JOIN THE BOTTOM PANEL (F) TO THE ASSEMBLED PART BY USING WOOD DOWEL (a) FIRST.
- TIGHTEN THE CAM LOCK BOLT (b) BY USING THE CAM LOCK (c) FROM PRE-DRILLED HOLES.

FIG 10



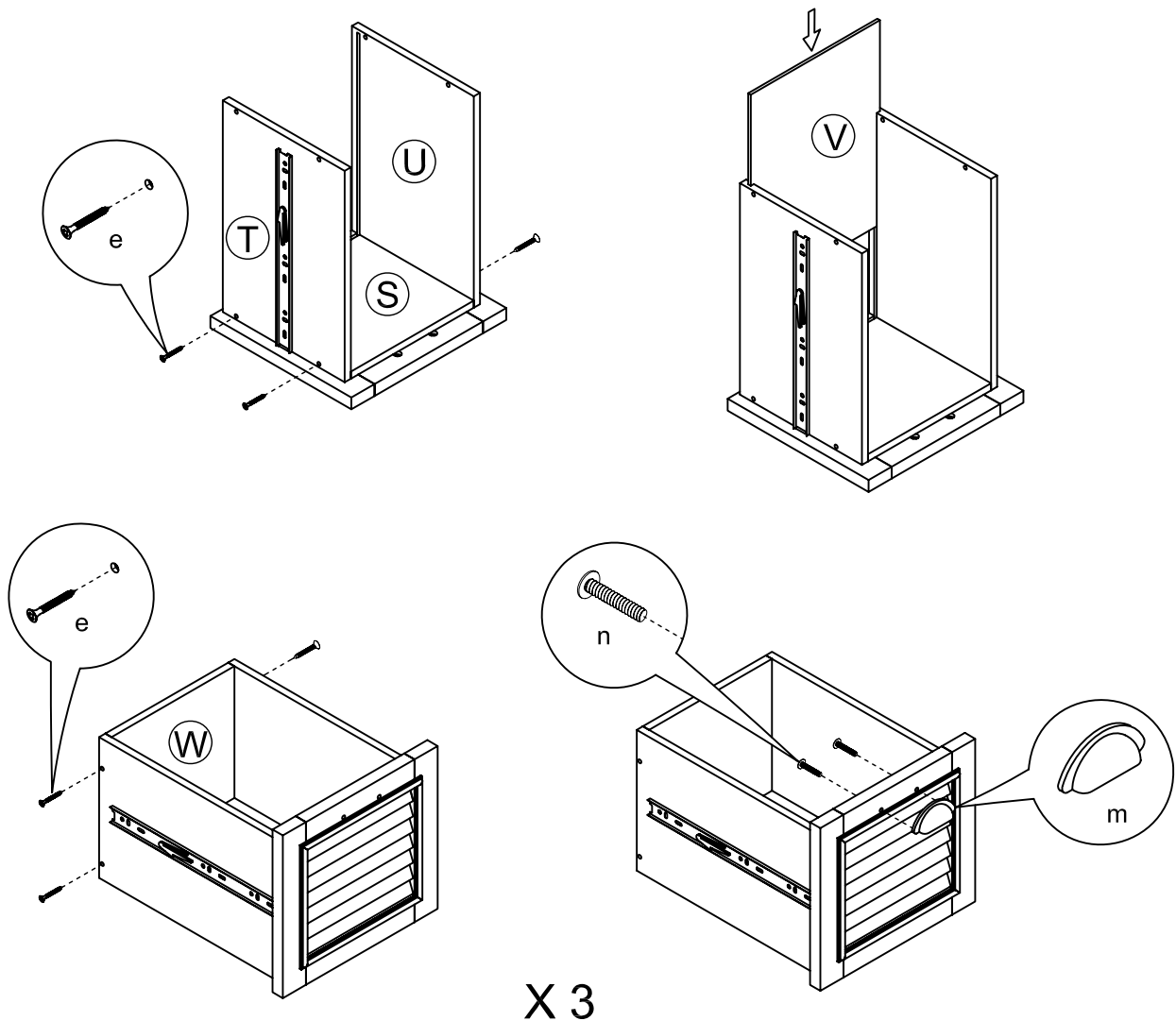
- TIGHTEN THE DOWN BACK PANEL (P) THE LEFT SIDE BACK PANEL (Q) RIGHT SIDE BACK PANEL (R) AND THE UP BACK PANEL (O) BY USING THE ROUND HEAD SCREW (f) AND THE METAL PLATE (g).

FIG 11



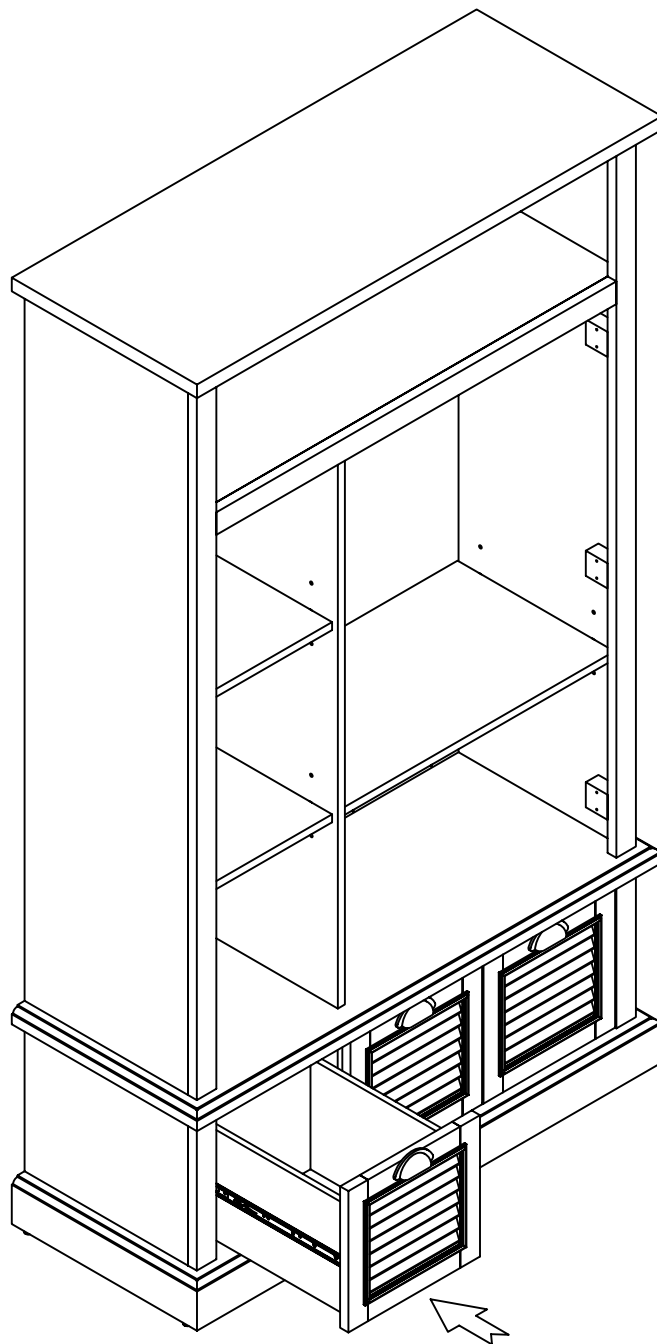
- INSERT THE SHELF PIN (o) IN THE DESIRED POSITION AND THEN PLACE THE SHORT ADJUSTABLE SHELF (M) AND THE LONG ADJUSTABLE SHELF (N) ON THE PINS.

FIG 12



- TIGHTEN THE DRAWER LEFT SIDE PANEL (T) AND THE DRAWER RIGHT SIDE PANEL (U) TO DRAWER FRONT PANEL (S) BY USING THE 1-1/4" FLAT HEAD SCREW (e).
- SLIDE THE DRAWER BOTTOM PANEL (V) INTO THE GROOVE ON DRAWER THE DRAWER LEFT SIDE PANEL (T) AND THE DRAWER RIGHT SIDE PANEL (U).
- TIGHTEN THE DRAWER BACK PANEL (W) TO THE ASSEMBLED PART BY USING THE 1-1/4" FLAT HEAD SCREW (e).
- TIGHTEN THE HANDLE (m) TO THE DRAWER FRONT PANEL (S) BY USING THE HANDLE BOLT (n).
- REPEAT ACTIONS ABOVE FOR 2ND AND 3RD DRAWER.

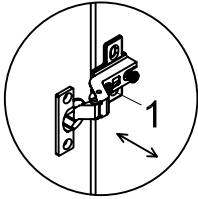
FIG 13



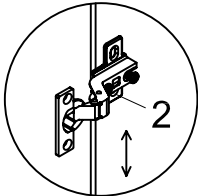
- INSERT DRAWERS INTO THE ASSEMBLED PART.

FIG 14

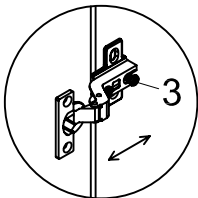
DOOR FITTING



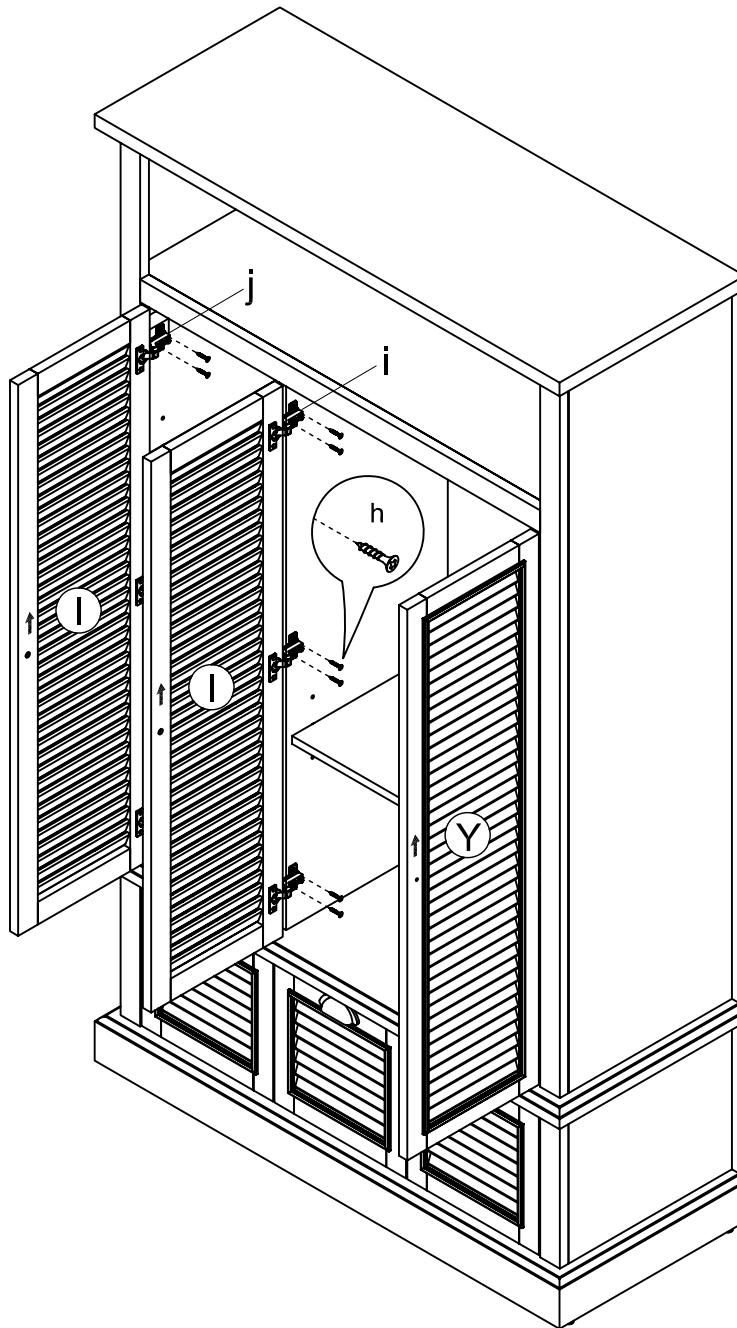
To adjust in width



To adjust in height

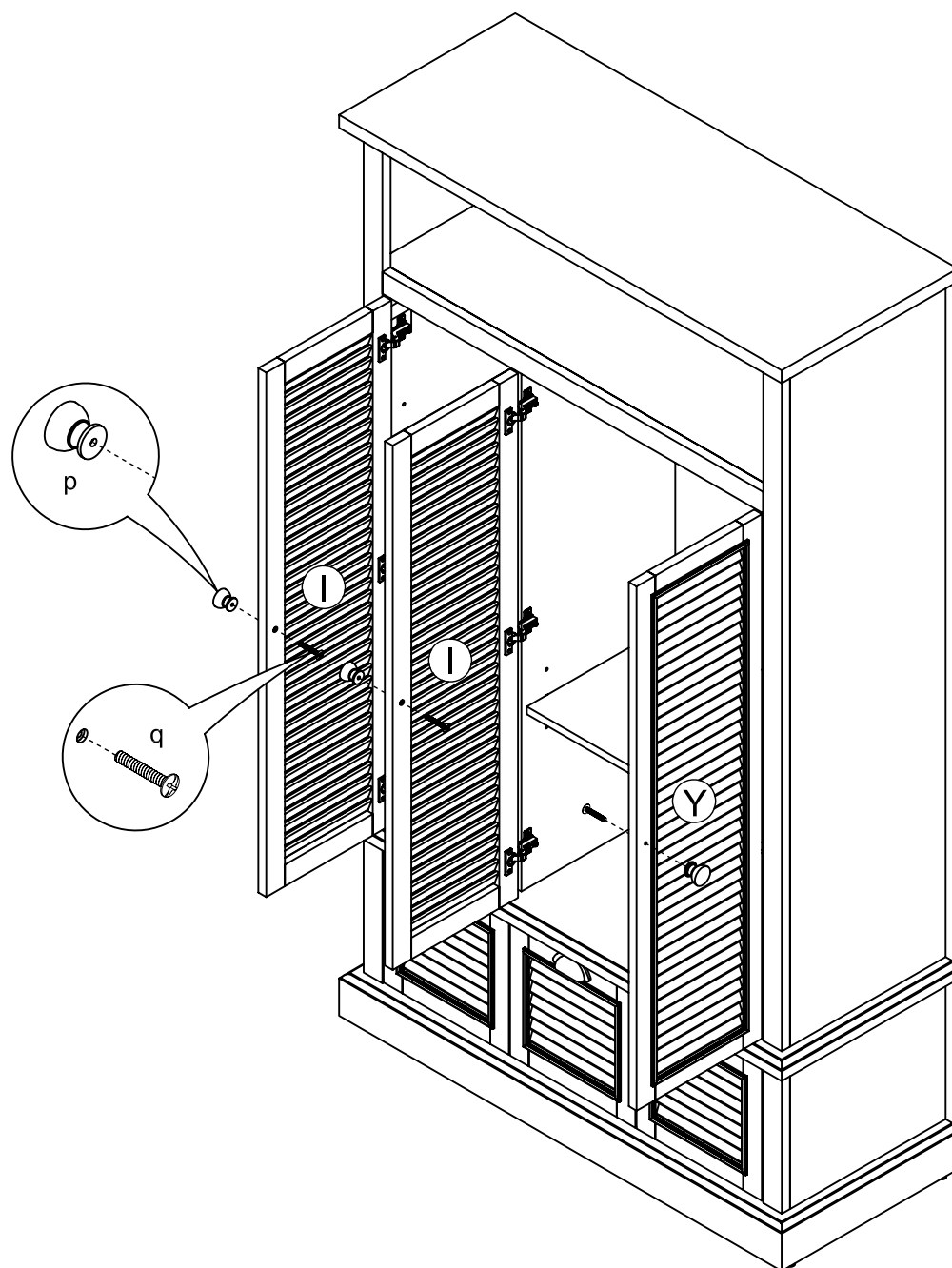


To adjust in depth



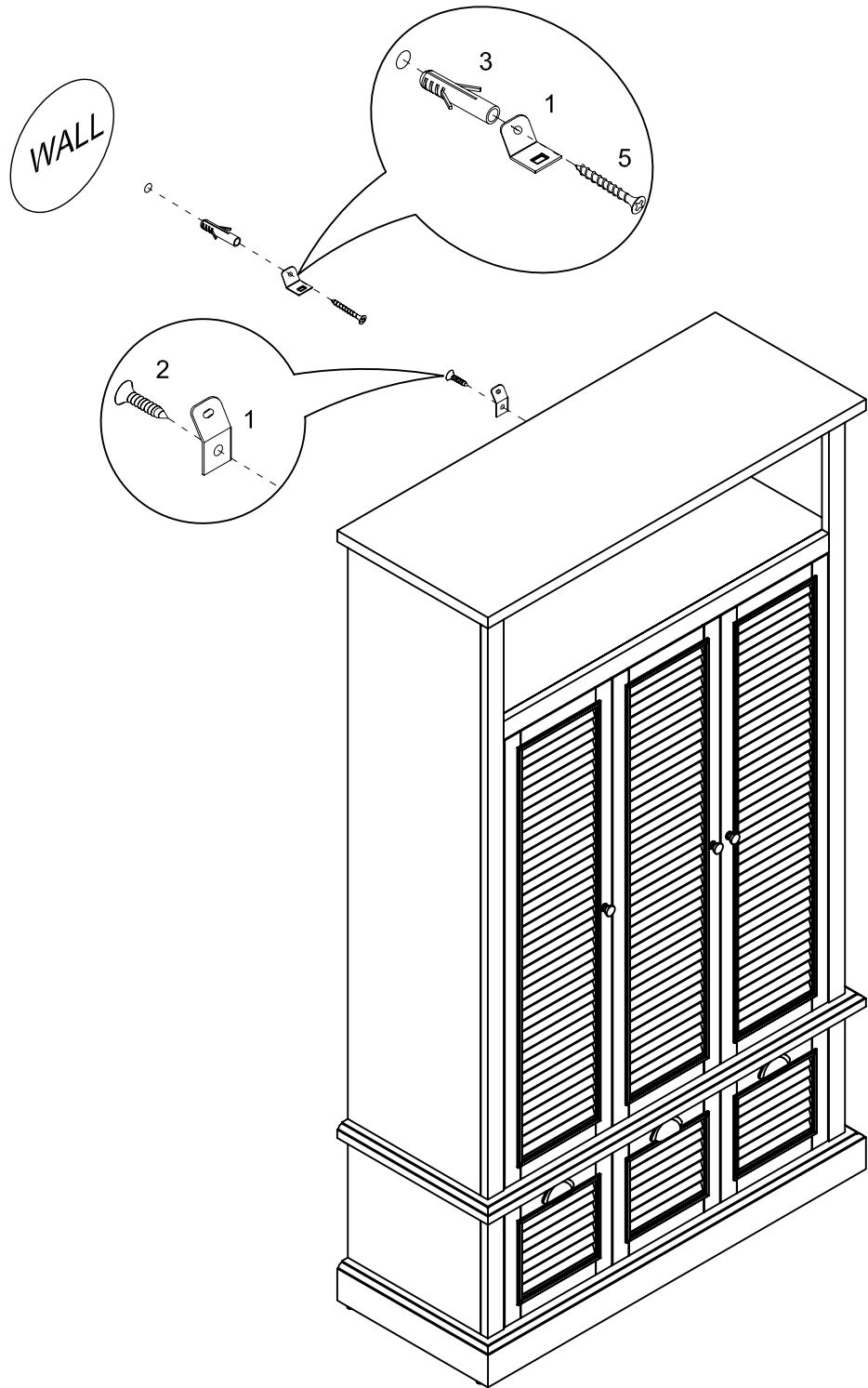
- USE HINGE (i) TO ATTACH ONE DOOR (I) ON THE CENTER OF CABINET WHILE FACING THE CABINET AND USE HINGE (j) TO ATTACH ONE DOOR (I) ON THE LEFT SIDE OF CABINET BY USING THE 5/8" FLAT HEAD SCREW (h).
- ATTACH THE DOOR (Y) ON THE RIGHT OF CABINET BY USING THE 5/8" FLAT HEAD SCREW (h).

FIG 15



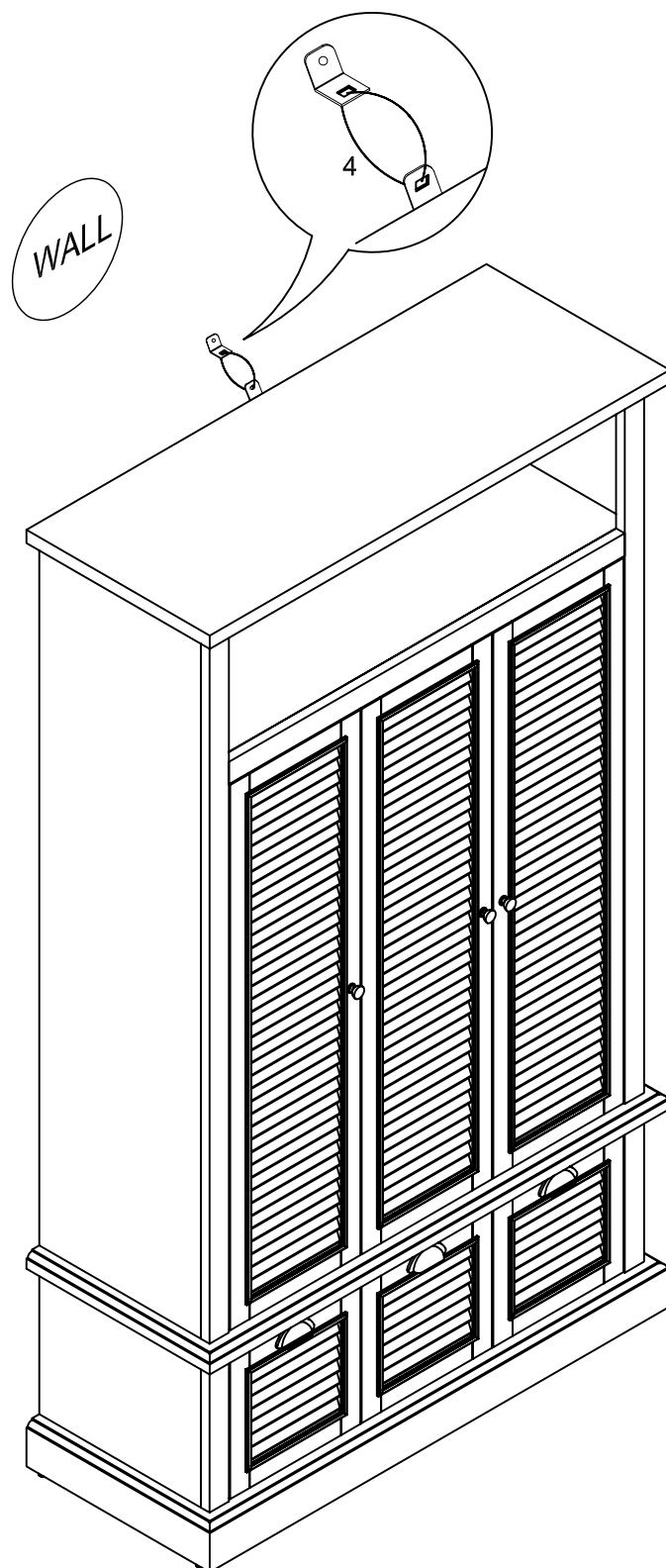
- TIGHTEN THE KNOB (p) ONTO THE LEFT SIDE DOOR (I) AND THE RIGHT SIDE DOOR (Y) BY USING THE KNOB BOLT (q).

FIG 16



- TIGHTEN THE RECTANGLE METAL PLATE (1) TO THE REAR OF THE TOP PANEL (A) BY USING 1/2" FLAT HEAD SCREW (2).
- PLACE THE ASSEMBLED STORAGE LOCKER AT THE DESIRED POSITION. MARK THE INSERTION POINTS FOR THE PLASTIC ANCHOR (3).
- USING THE PROPER HARDWARE FOR YOUR WALL TYPE AND DRILL 1/4" HOLES INTO THE WALL.
- TIGHTEN THE RECTANGLE METAL PLATE (1) TO THE PLASTIC ANCHOR (3) BY USING THE 1-1/2" FLAT HEAD SCREW (5).

FIG 17



- USING THE PLASTIC BAND (4) CONNECT TWO RECTANGLE METAL PLATES (1).