

# Jarvas Bath

BA977, BA978 1.0



## GENERAL PRODUCT INFORMATION:

This product is suitable for damp locations.



This product can mount either to a 4" square electrical box with a round plaster ring or an octagon electrical box.

May be dimmed with a low-voltage electronic dimmer.

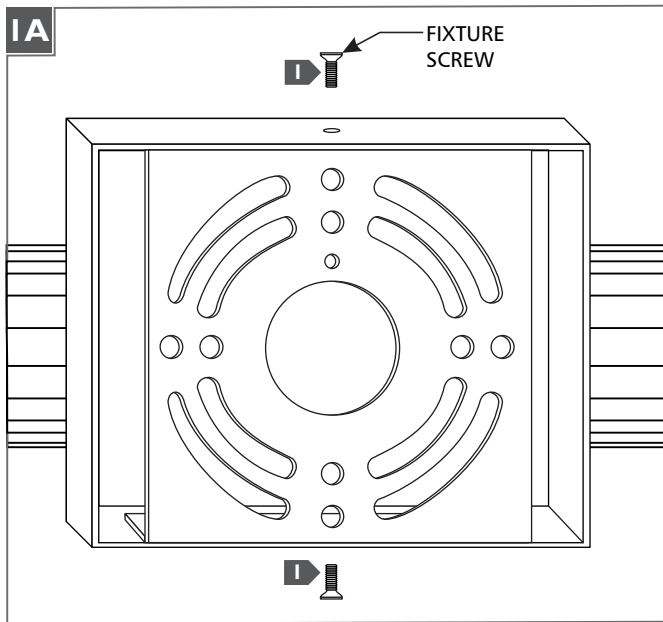
This instruction shows a typical installation.

### CAUTION - RISK OF FIRE

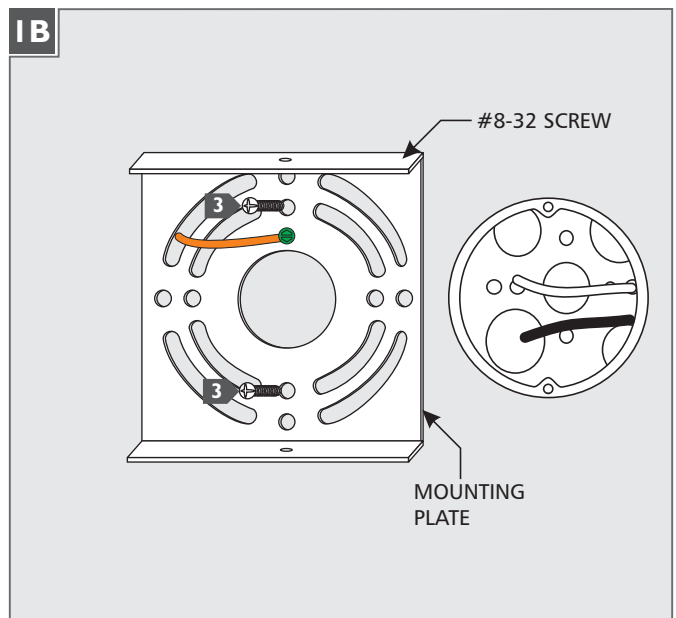
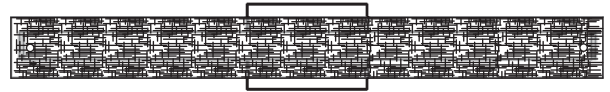
This product must be installed in accordance with the applicable installation code by a person familiar with the construction and operation of the product and the hazards involved.

Use minimum 90°C supply conductors.

## Install the Mounting Plate

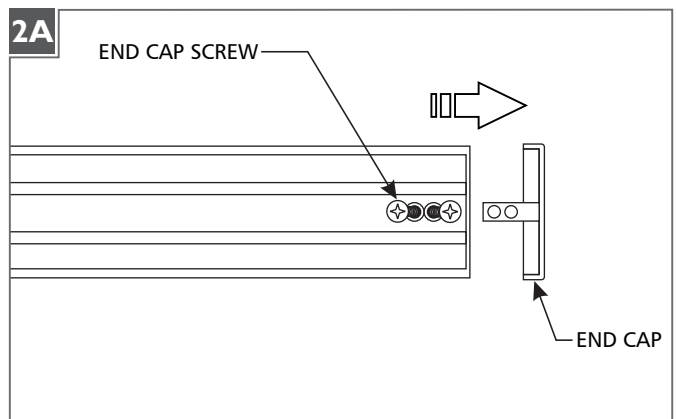


- 1 Remove the fixture screws located on the top and bottom of the fixture base.
- 2 Remove the mounting plate from the fixture base.

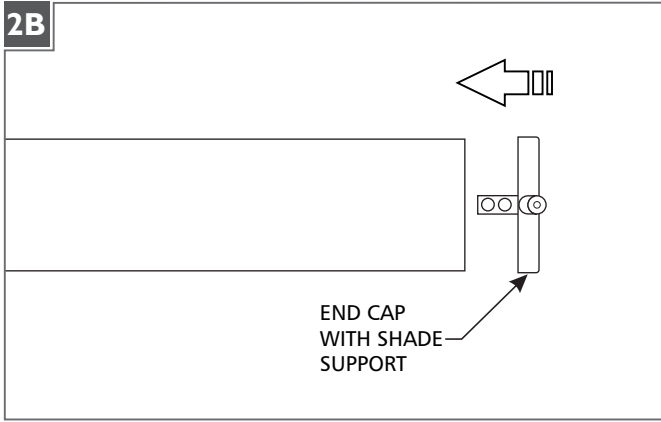


- 3 Attach the mounting plate to the electrical box using the two #8-32 screws provided.

## Install the Shade Support End Caps

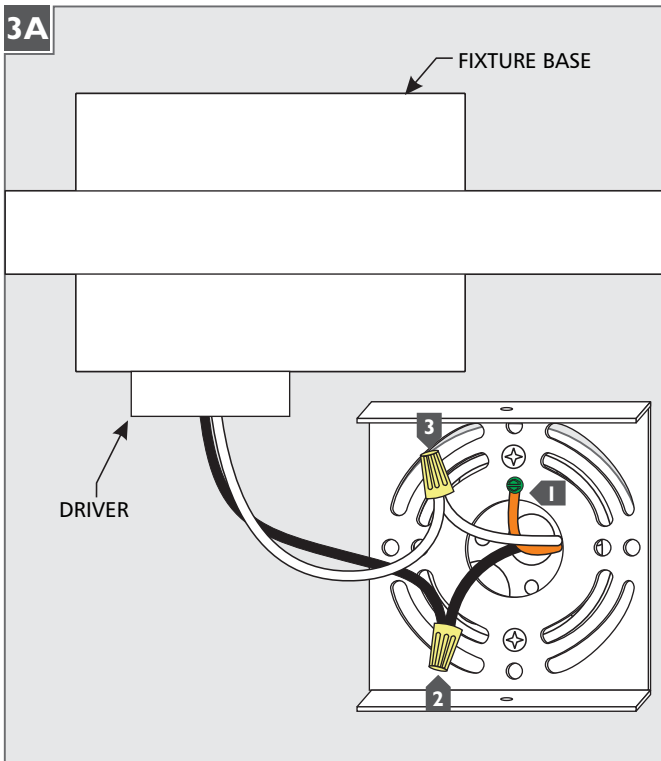


- 1 Loosen the two end cap screws on each end of the fixture and remove the standard end caps.



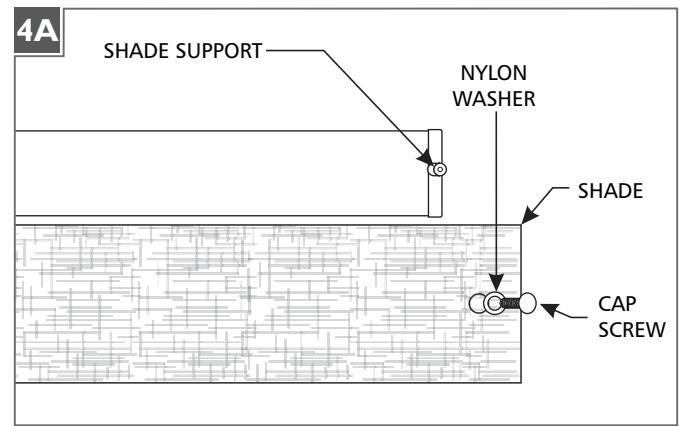
- 2 Install the provided end caps with shade supports. (Reverse of 3A.)

## Install the Fixture



- 1 Connect the mounting plate ground wire to a suitable ground according to local electrical codes.
- 2 Connect the black driver wire to the hot power line wire with a wire nut.
- 3 Connect the white driver wire to the neutral power line wire with a wire nut.
- 4 Properly place the driver, all wires, and wire nut connections into the fixture base.
- 5 Mount the fixture by sliding it back onto the mounting plate and reinstalling the fixture screws (reversal of figure 1A).

## Install the Shade



- 1 Align the holes in the shade with the shade supports at each end.
- 2 Secure the shade in place with the provided cap screws and nylon washers.

**SAVE THESE INSTRUCTIONS!**

**LBL**

7400 Linder Ave, Skokie, IL 60077

800.323.3226 - 847.626.6300

[www.lblighting.com](http://www.lblighting.com)

© 2017 LBL Lighting. All rights reserved. The "LBL Lighting" graphic is a registered trademark of LBL Lighting. LBL Lighting reserves the right to change specifications for product improvements without notification.

A Generation Brands Company