

INSTALLATION INSTRUCTIONS FOR 6211/6212-47

For Wall Mount Fixture Fixture: 4 5/8" X 13 1/2" Ext 5"

WARNING! SHUT POWER OFF AT FUSE OR CIRCUIT BREAKER.
AVERTISSEMENT! COUPER LE COURANT AU NIVEAU DES FUSIBLES OU DU DISJONCTEUR

2-60watts Type T10

PREPARATION

1. Shut off the power at the fuse box or circuit breaker box. (avertissement! couper le courant au niveau des fusibles ou du disjoncteur) If necessary, remove the old fixture and all the mounting hardware from the wall junction box.
2. Carefully unpack the new fixture and lay out all the parts on a clear area. Take care not to lose any small parts necessary for installation.

MOUNTING THE FIXTURE (FIG. 1)

3. Secure mounting back plate (A) to the outlet box using the two mounting screws (B) (Size: 8-32*1/2"L). The side of the mounting back plate marked "GND" must face out.

CONNECTING THE WIRES (FIG. 2)

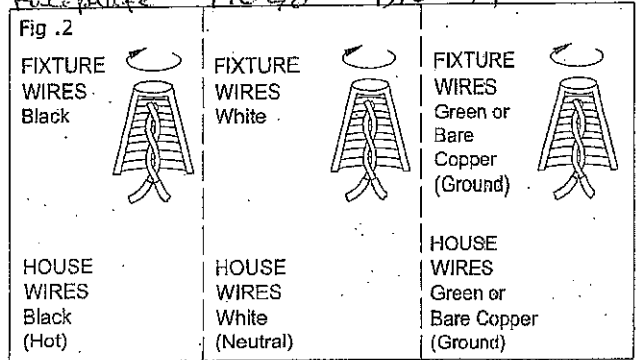
4. Connect the fixture wires to the junction box wires as shown in Fig. 2. Make sure all wire connectors are secured and do not easily pull off with a slight tug. If there is no green ground wire from the junction box, connect the fixture ground wire to the mounting back plate with the green screw provided. Tuck these wire connections neatly into the wall junction box.
5. Place the fixture's back plate (C) over the mounting back plate and secure it with the two screws (D).

COMPLETING THE INSTALLATION

6. Install the light bulbs in accordance with fixture's specifications use TYPE T10 bulb(s) for your fixture. **(DO NOT EXCEED THE MAXIMUM WATTAGE RATING!!) (NE PAS DEPASSER LA PUISSANCE NOMINALE MAXIMALE!)**

7. Place the Glass Shade (F) rotation into the Socket Cup (E) by rotating it to lock. Return the power to the junction box and test the fixture. Your installation is now complete.

T10 6 3/4" B10 6 3/4"
 glass 5" X 6 1/4" O/F 2 5/8" #F 2 1/4"
 Faceplate 4 5/8" sq.
 Faceplate T10 2 3/8" B10 2 1/4"



MIN 75°C SUPPLY CONDUCTORS

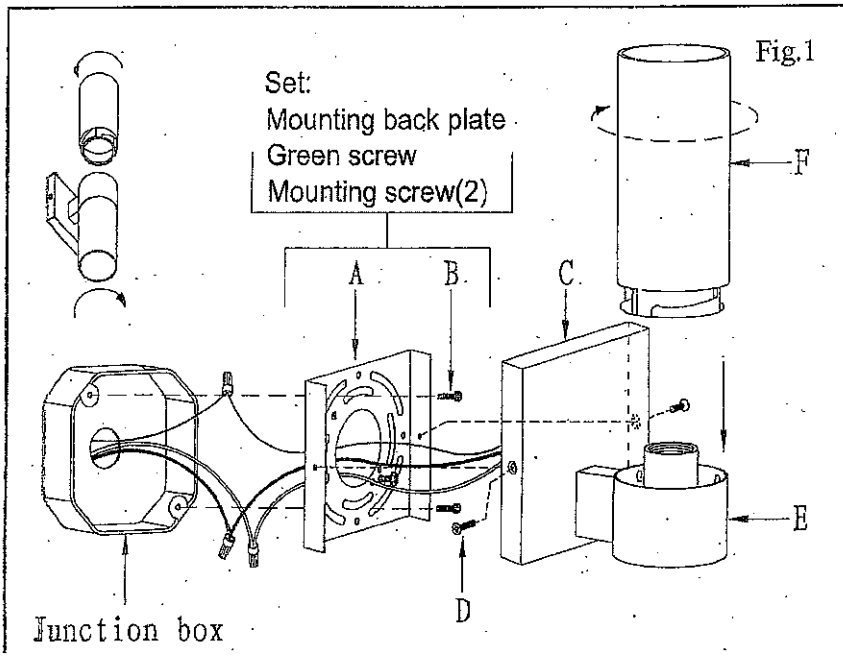
Backplate 4 1/4" sq.



Box Meas: 12 1/4" X 8" X 4"

N.W: 1.1 KES
 E.W: 1.4 KES

Master Pack: 17" X 13" X 15"
 N.W: 4.4 KES
 E.W: 6.62 KES
 (4 pcs.)



INSTALLATION INSTRUCTIONS FOR 6211/6212

For Wall Mount Fixture

WARNING! SHUT POWER OFF AT FUSE OR CIRCUIT BREAKER .
AVERTISSEMENT! COUPER LE COURANT AU NIVEAU DES FUSIBLES OU DU DISJONCTEUR

PREPARATION

1. Shut off the power at the fuse box or circuit breaker box. (avertissement! couper le courant au niveau des fusibles ou du disjoncteur) If necessary, remove the old fixture and all the mounting hardware from the wall junction box.
2. Carefully unpack the new fixture and lay out all the parts on a clear area. Take care not to lose any small parts necessary for installation.

MOUNTING THE FIXTURE (FIG. 1)

3. Secure mounting back plate (A) to the outlet box using the two mounting screws (B) (Size: 8-32*1/2"L). The side of the mounting back plate marked "GND" must face out.

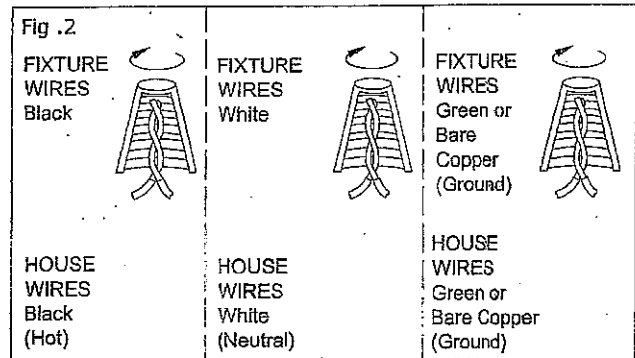
CONNECTING THE WIRES (FIG. 2)

4. Connect the fixture wires to the junction box wires as shown in Fig. 2. Make sure all wire connectors are secured and do not easily pull off with a slight tug. If there is no green ground wire from the junction box, connect the fixture ground wire to the mounting back plate with the green screw provided. Tuck these wire connections neatly into the wall junction box.
5. Place the fixture's back plate (C) over the mounting back plate and secure it with the two screws (D).

COMPLETING THE INSTALLATION

6. Install the light bulbs in accordance with fixture's specifications use TYPE T10 bulb(s) for your fixture. **(DO NOT EXCEED THE MAXIMUM WATTAGE RATING!!) (NE PAS DEPASSER LA PUISSANCE NOMINALE MAXIMALE!)**

7. Place the Glass Shade (F) rotation into the Socket Cup (E) by rotating it to lock. Return the power to the junction box and test the fixture. Your installation is now complete.



MIN 75°C SUPPLY CONDUCTORS

