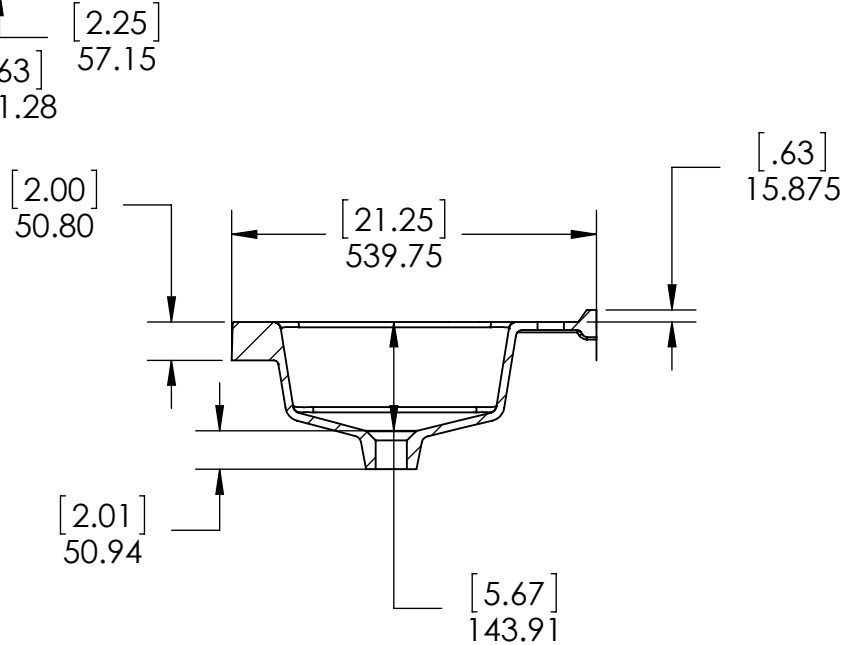
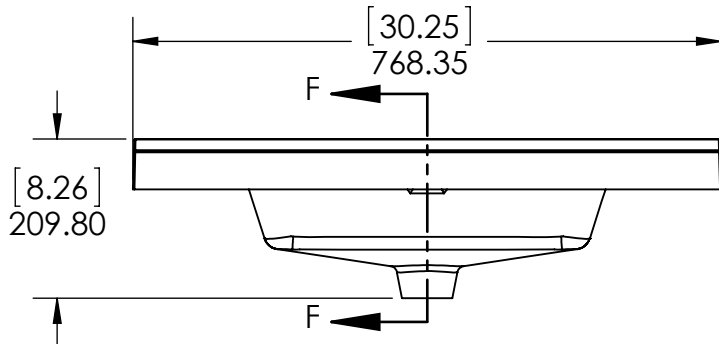
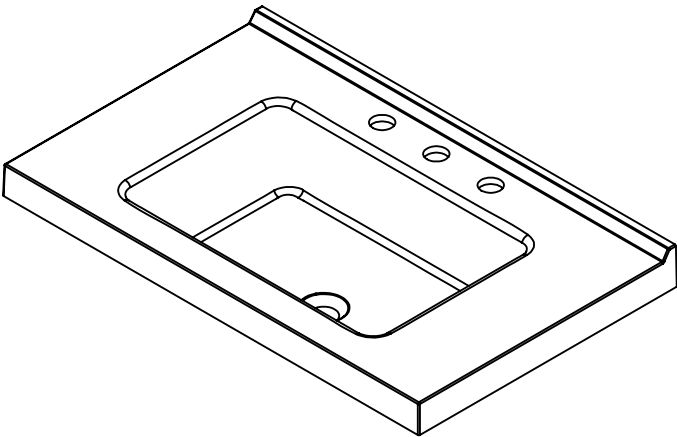
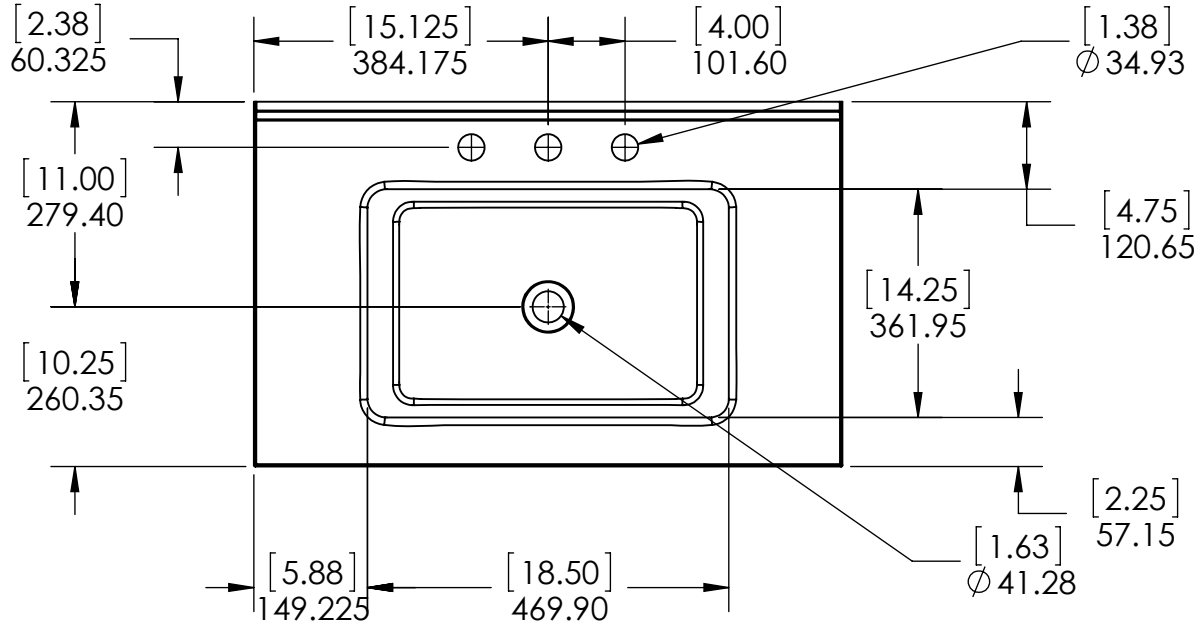

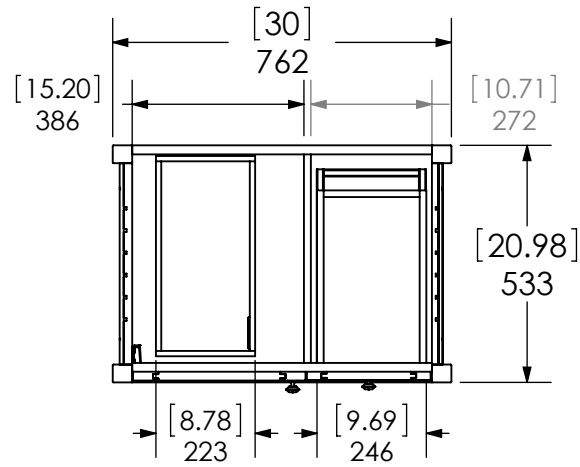


DRAWING TYPE	ITEM ID	ITEM DESCRIPTION	TECHNOLOGIES	DRAWING STATUS
Finish Good	595222	Seal Harbor Vtop 30.250 x 21.250 White	AB Composite	Design Process

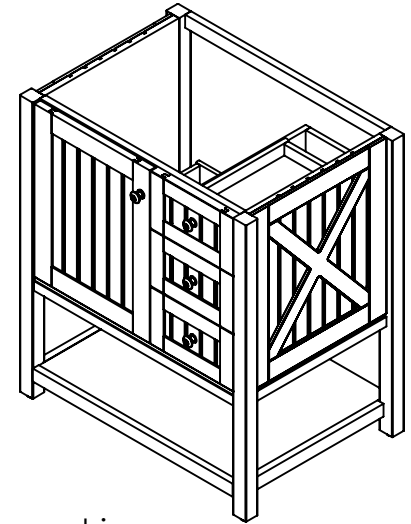


Estimated Weight: 18.95 kg

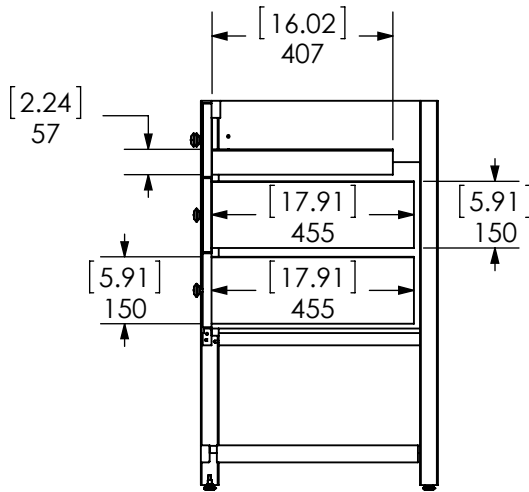
<b>PROPRIETARY AND CONFIDENTIAL</b> THE INFORMATION CONTAINED IN THIS DRAWING IS THE SOLE PROPERTY OF WOODCRAFTERS. ANY REPRODUCTION IN PART OR AS A WHOLE WITHOUT THE WRITTEN PERMISSION OF WOODCRAFTERS IS PROHIBITED.	UNLESS OTHERWISE SPECIFIED		NAME	DATE	 Seal Harbor Vtop 30.250 x 21.250 White
	DIMENSIONS ARE IN MM. AND (INCHES)		DRAWN	E. Sandoval 6/27/16	
	TOLERANCES ARE +0.125 [3.175] -0.125 [-3.175]		CHECKED	R. Rubio 6/27/16	
	SCALE:1:10		ENG APPR.	V. Sanchez 6/27/16	
			MFG APPR.	C. Leal 6/27/16	
SIZE	DWG. NO.	SHEET 1 OF 1		REV.	0



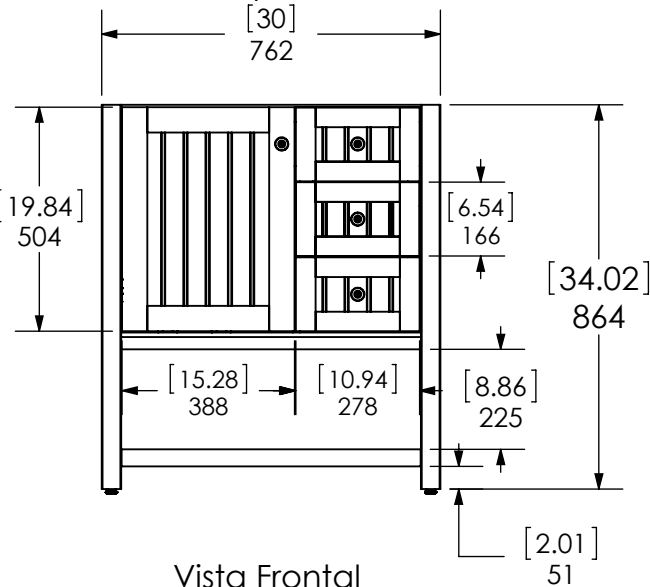
Vista Superior  
Top view



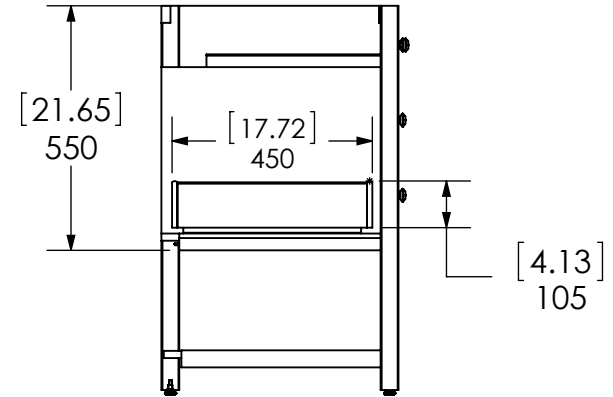
Vista Isometrica  
Isometric View



Vista Lateral  
Side View



Vista Frontal  
Front view



Vista Lateral  
Side View



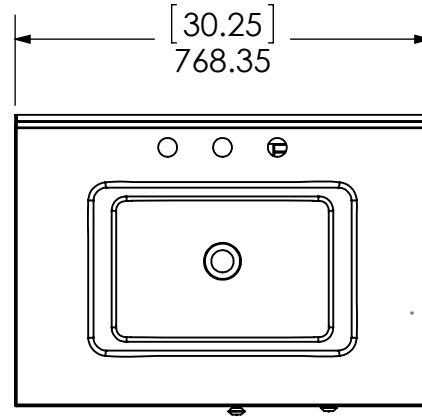
ITEM: **SL30P2COM-SG** REV **A**

NAME: **Vanity Seal Harbor**

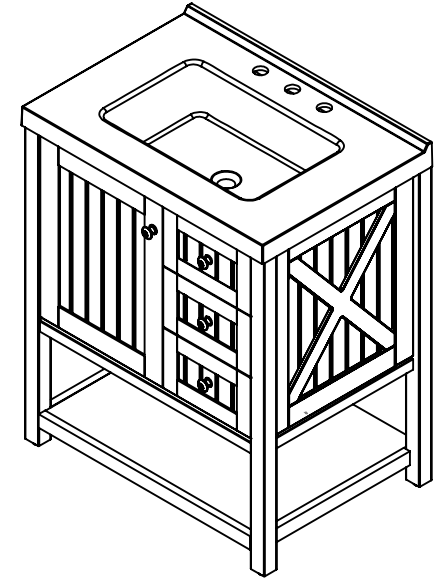
DWR	RZG	27/07/16
REV	ING	27/07/16
APP	R&D	27/07/16

MATERIAL: **N/A**

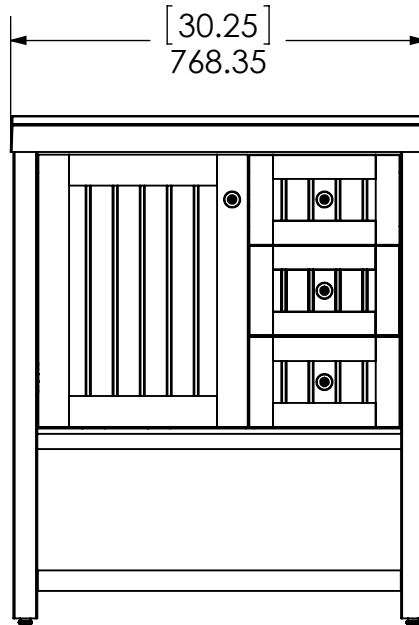
SCALE: 1:20 MODEL: **Vanity Seal harbor 30**



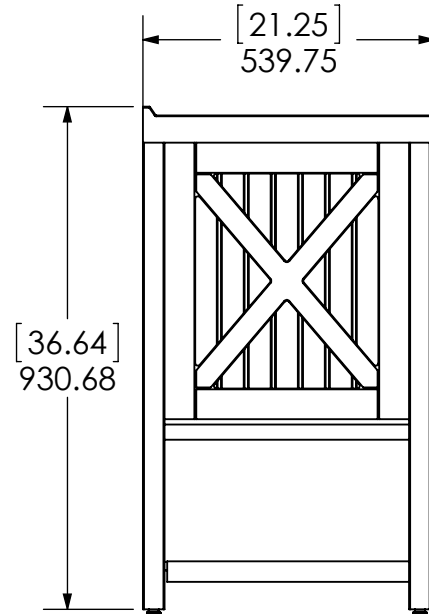
Vista Superior  
Top View



Vista Isometrica  
Isometric View



Vista Frontal  
Front View



Vista Lateral  
Side View

**Wood Crafters**

ITEM: **SL30P2COM-SG** REV **A**

NOMBRE: **Vanity Seal Harbor**

DWR	RZG	27/07/16
REV	ING	27/07/16
APP	R&D	27/07/16

MATERIAL: **N/A**

SCALE: 1:20 MODELO: **Vanity Seal harbor 30**