

# PRCP1

## PrimeChime® Plus

### Product Description

The PrimeChime® Plus keeps all the popular features of NICOR's PrimeChime® electronic doorbell and now adds compatibility with video doorbell buttons. The PRCP1 combines both line voltage and low voltage into a single unit and offers a paintable, screwless faceplate for simple installation and a seamless look. Separate ring tones for front and rear doors allows you to keep track of exactly which door to answer. NICOR's lighted button makes your doorbell easily visible to visitors at all times of day, welcoming them to your home.

#### Construction

- ABS Housing
- Combines line voltage and low voltage in a single unit
- Screwless ABS Faceplate
- Two-wire pigtail for line voltage input
- Multiple poke-in connectors for low voltage output for front and back doorbells

#### Electrical

- Integrated transformer
- Input: 120VAC/60Hz
- Output: 18VAC
- Digital control board with speaker
- Two distinct chime tones for front (Westminster) and rear (Ding-Dong) doors

#### Finish

- Matte White
- Faceplate is field paintable

#### Installation

- Includes two lighted rectangle doorbell buttons
- Compatible with many popular video doorbell buttons  
*(see compatibility list and/or test for compatibility before installation)*
- Installs quickly into a standard two-gang dual-voltage wall box
- Daisy chain up to four PrimeChime® Plus units (max 200ft total wire length)
- Doorbell buttons connect with 18ga-22ga solid wire (max 200ft distance)
- For installations where higher power surge may be possible, NICOR recommends installing additional surge protection at the electrical distribution panels

#### Warranty

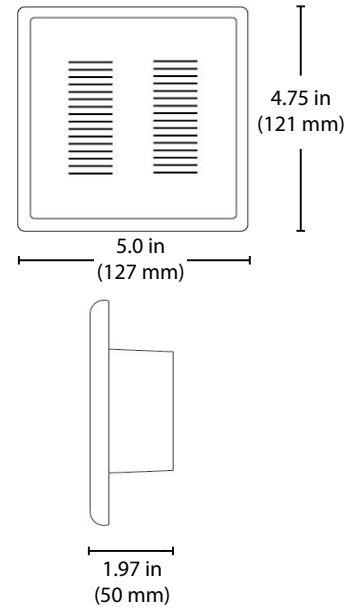
- 1 year limited system warranty standard
- Warranty does not cover product failure due to an overvoltage event (power surge)

Project

Catalog

Type

Date



Patent Pending

Specifications and dimensions subject to change without notice.

## Accessories

PRCP1-DB-BK	Lighted Decorative Button - Black
PRCP1-DB-CO	Lighted Decorative Button - Copper
PRCP1-DB-NK	Lighted Decorative Button - Nickel
PRCP1-DB-WH	Lighted Decorative Button - White
PRCP1-SB-AB	Lighted Stucco Button - Antique Brass
PRCP1-SB-BZ	Lighted Stucco Button -Architectural Bronze
PRCP1-SB-PB	Lighted Stucco Button - Polished Brass
PRCP1-SB-NK	Lighted Stucco Button - Nickel
PRCP1-SB-WH	Lighted Stucco Button - White

## Recommended Video Doorbell\*

Manufacturer	Model
Ring	Video Doorbell
	Video Doorbell 2
	Video Doorbell Elite

\*Not a complete list. Call NICOR or test for compatibility before installation.

## Ordering Information

Example: PRCP1

Series

PRCP1

This device complies with part 15 of the FCC Rules. Operation is subject to the following two conditions: (1) This device may not cause harmful interference, and (2) this device must accept any interference received, including interference that may cause undesired operation. NOTE: This equipment has been tested and found to comply with the limits for a Class B digital device, pursuant to part 15 of the FCC Rules. These limits are designed to provide reasonable protection against harmful interference in a residential installation. This equipment generates, uses and can radiate radio frequency energy and, if not installed and used in accordance with the instructions, may cause harmful interference to radio communications. However, there is no guarantee that interference will not occur in a particular installation. If this equipment does cause harmful interference to radio or television reception, which can be determined by turning the equipment off and on, the user is encouraged to try to correct the interference by one or more of the following measures:

- Reorient or relocate the receiving antenna.
- Increase the separation between the equipment and receiver.
- Connect the equipment into an outlet on a circuit different from that to which the receiver is connected.
- Consult the dealer or an experienced radio/TV technician for help.