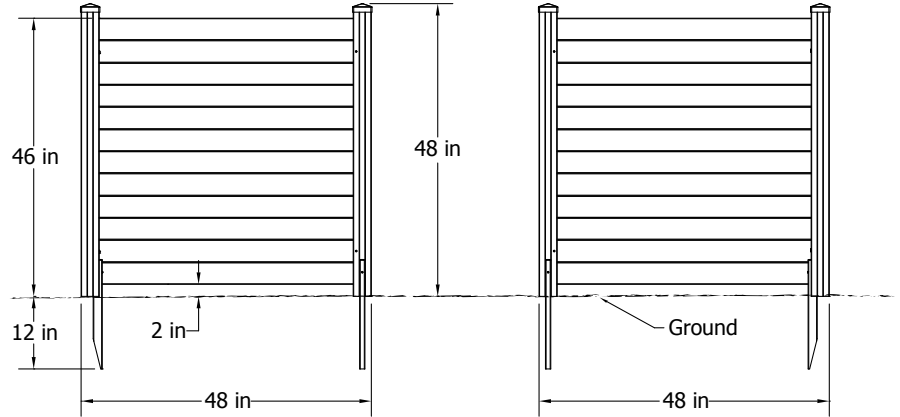
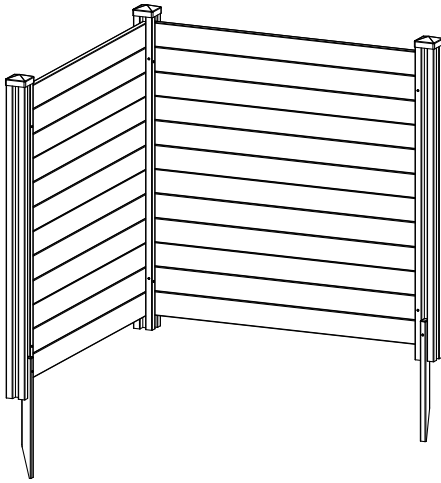


ASSEMBLY INSTRUCTIONS

Premium Vinyl Privacy Screen (48"W x 48"H)



ZIPPITY
DO-IT-YOURSELF
FRIENDLY PRODUCTS



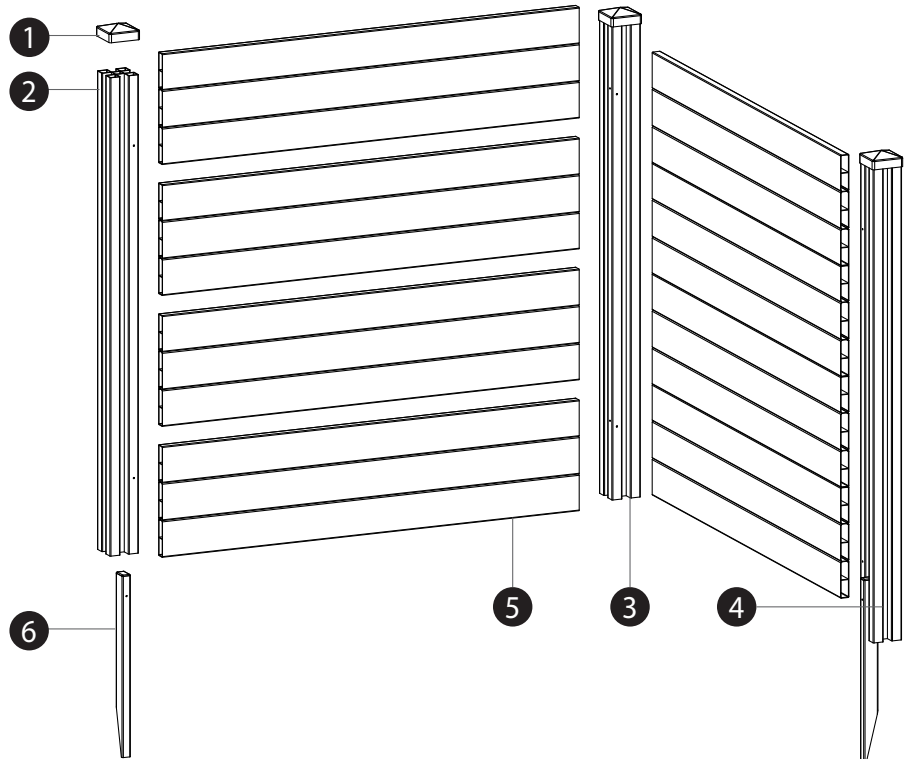
Please read through before starting assembly.

IMPORTANT: CHECK THE INSIDE OF THE LARGER PIECES IN YOUR BOX FOR OTHER MATERIALS PACKED INSIDE.

Check Box for These Contents

In the event of missing or defective parts please call our customer service department at **1 877 234 6196** (Mon. to Fri. 8:00 AM to 4:00 PM EST).

1. Post Caps (3)
2. Post - Left (1) - 3" x 3" x 47 1/2"
3. Post - Corner (1) - 3" x 3" x 47 1/2"
4. Post - Right (1) - 3" x 3" x 47 1/2"
5. Board Wall (8) - 7/8" x 11" x 44"
6. Ground Stake (2) - 7/8" x 1 1/2" x 18"
7. 2 1/2" Self-Auguring Stainless Steel Screw (10)



Tools You Will Need

- Cordless Drill
- Level
- Hammer

General Information

- **Read Instructions through carefully before beginning assembly.**
- When assembling components, place on a non-abrasive surface (i.e. shipping box) to avoid scratching.
- We recommend an area approx 5' x 8' for unobstructed assembling.
- You should not need to use excessive force when assembling components.

7



Not to Scale

STEP ONE

Assemble Full Panel

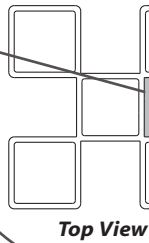
1

Identify the left post and corner post as illustrated. With a helper, slide a board down the grooves until the board bottoms out on the factory installed screw head (roughly 2" from the bottom of the post).

2

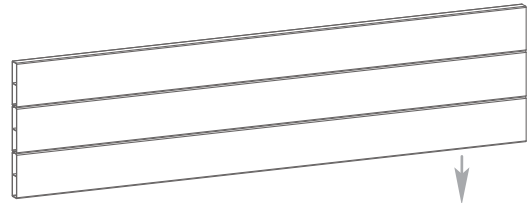
Fasten each post to the board using the screws provided through the pre-drilled holes.

Ensure Board is Tight to the Back of the Groove in post.



Top View

1

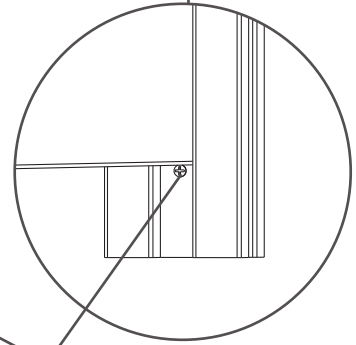
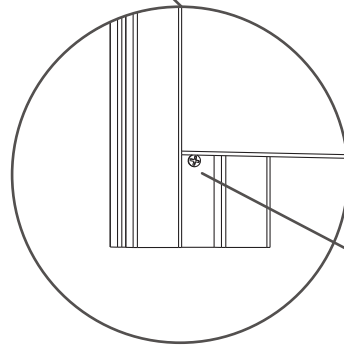
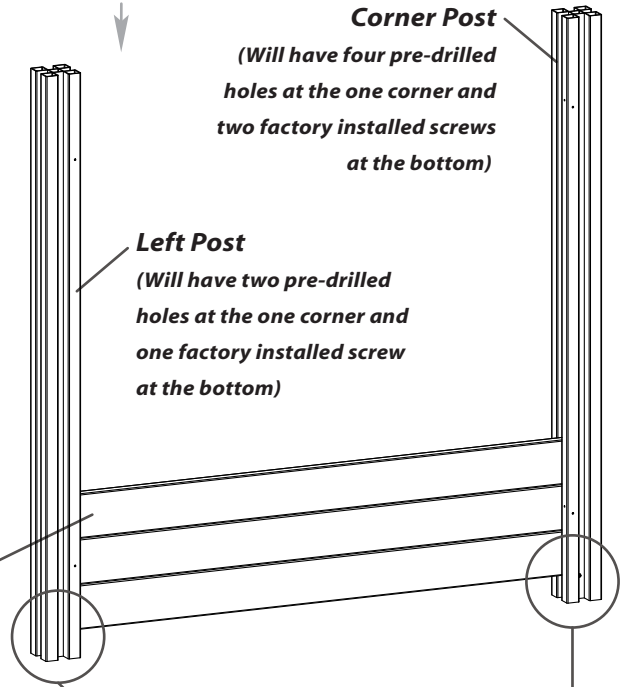


Corner Post

(Will have four pre-drilled holes at the one corner and two factory installed screws at the bottom)

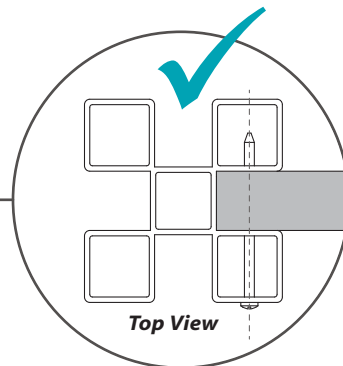
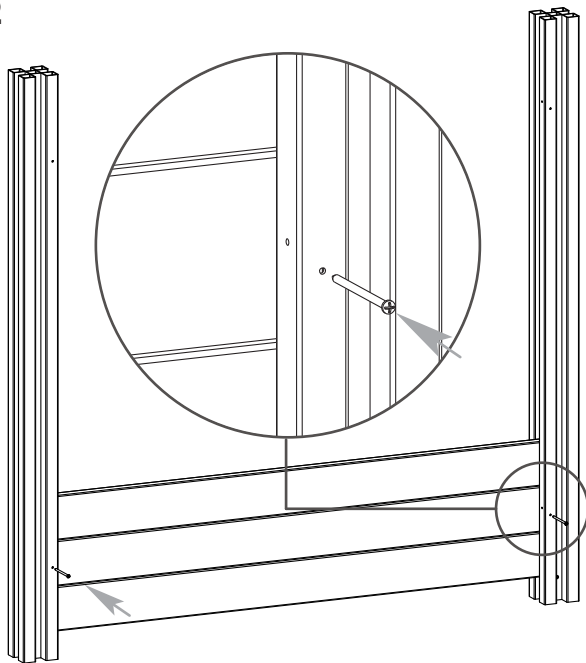
Left Post

(Will have two pre-drilled holes at the one corner and one factory installed screw at the bottom)

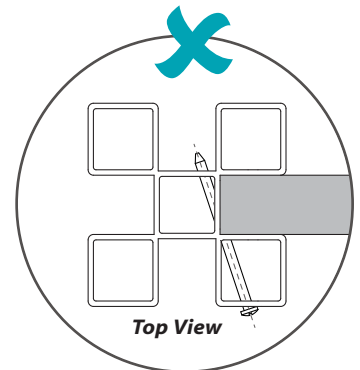


Factory Installed Screws

2



Top View



Top View

STEP ONE

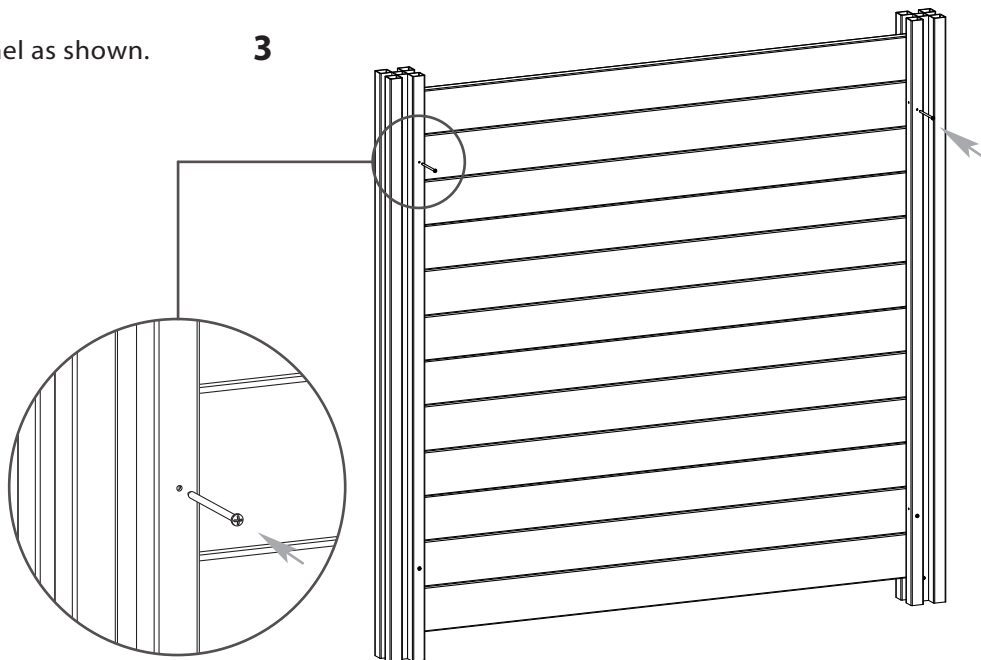
Assemble Full Panel (Cont'd...)

3

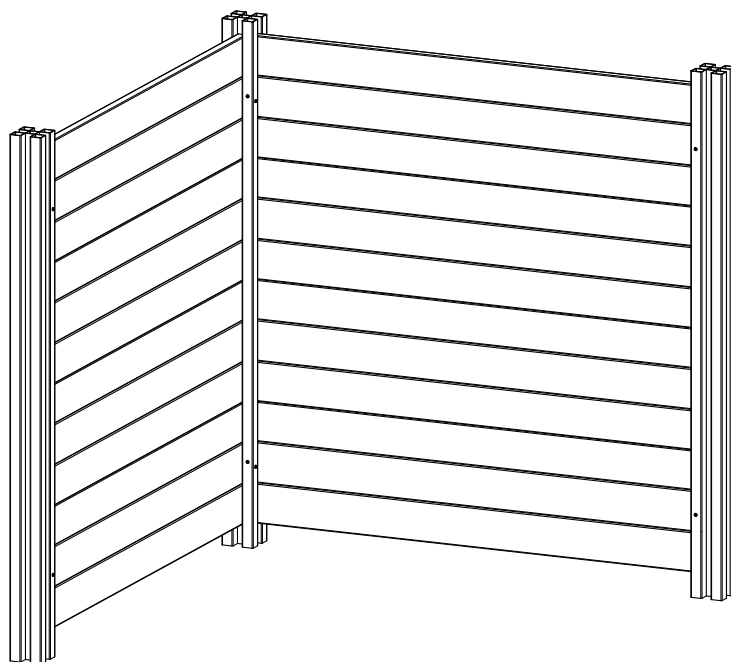
Add three more boards and fasten the top board panel into the posts as illustrated.

4

Repeat steps 1 through 3 for the second panel as shown.



4





ZIPPITY
DO-IT-YOURSELF
FRIENDLY PRODUCTS

STEP TWO

1

With a helper move the entire unit to intended position.

2

Use a claw hammer to loosen the first 6 to 8 inches of hard packed soil as illustrated.

Tip: Add water to loosen soil as necessary.

3

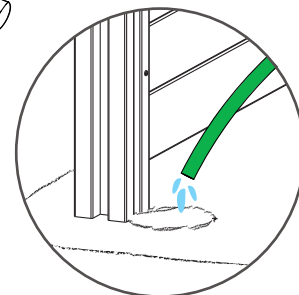
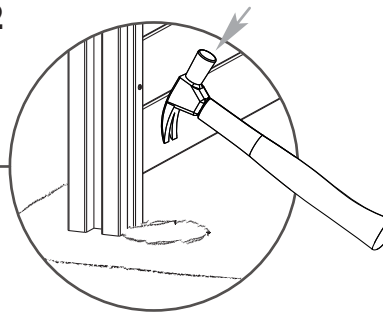
Insert the ground stake with the blade down as illustrated into the groove of the post.

4

Using a piece of 2x4 (or equivalent) attempt to manually push the stake down into place 12" below the ground.

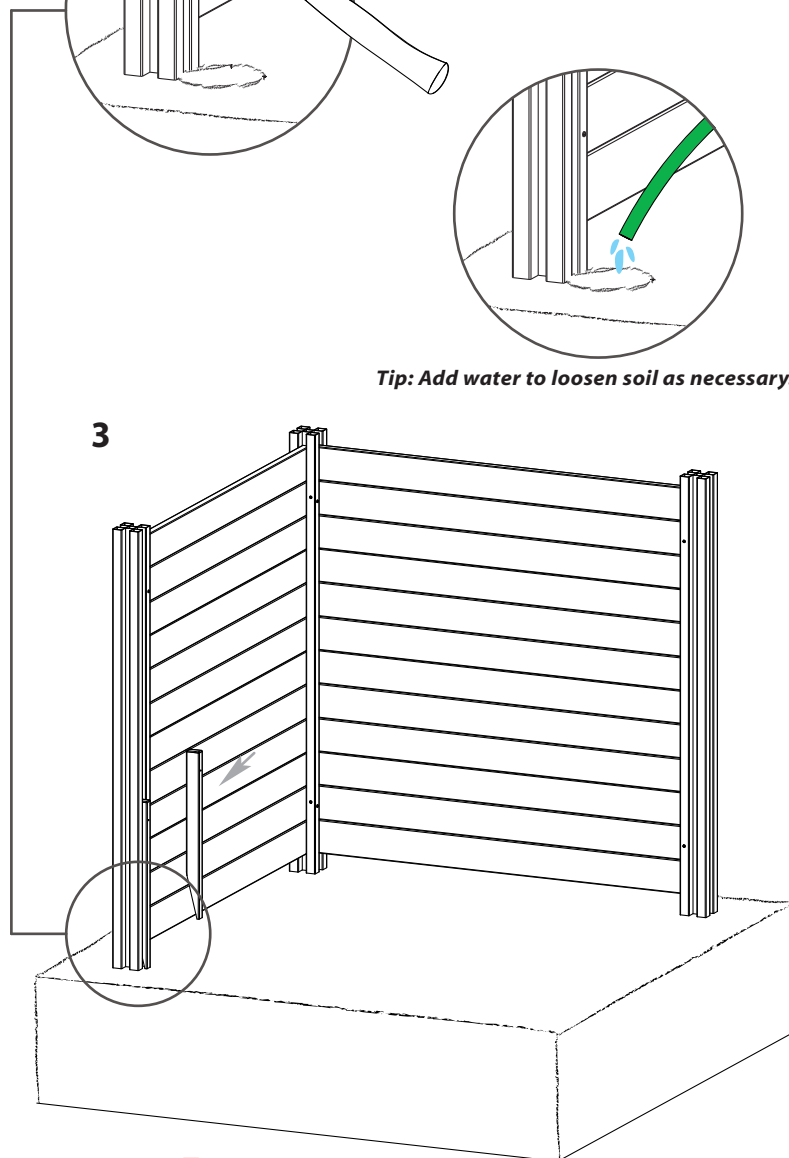
DO NOT pound on top of the stake or on top of the 2x4, or you could break the stake.

2

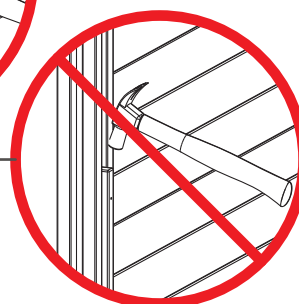
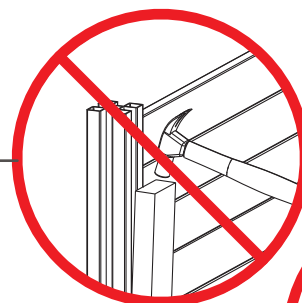
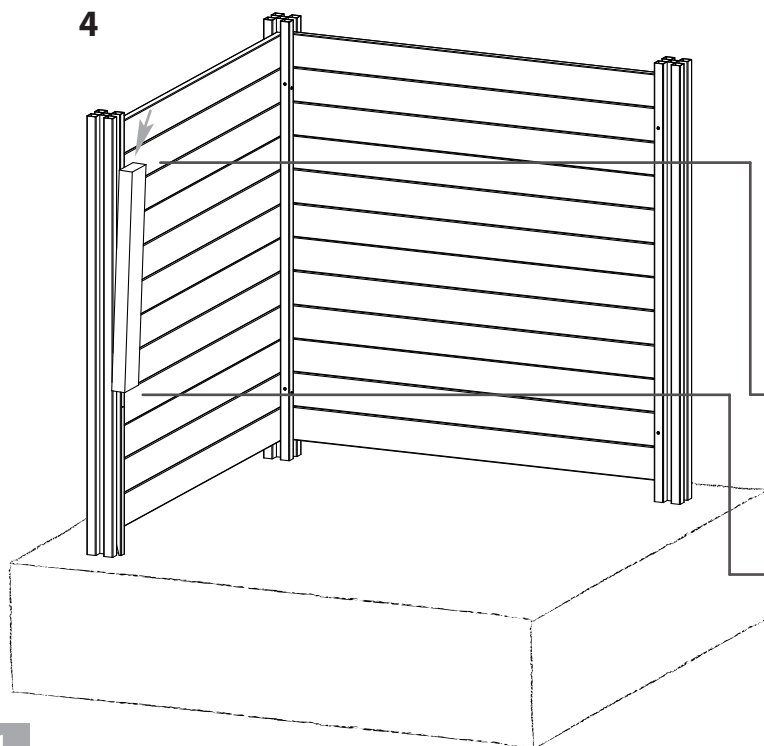


Tip: Add water to loosen soil as necessary.

3



4



STEP THREE

1

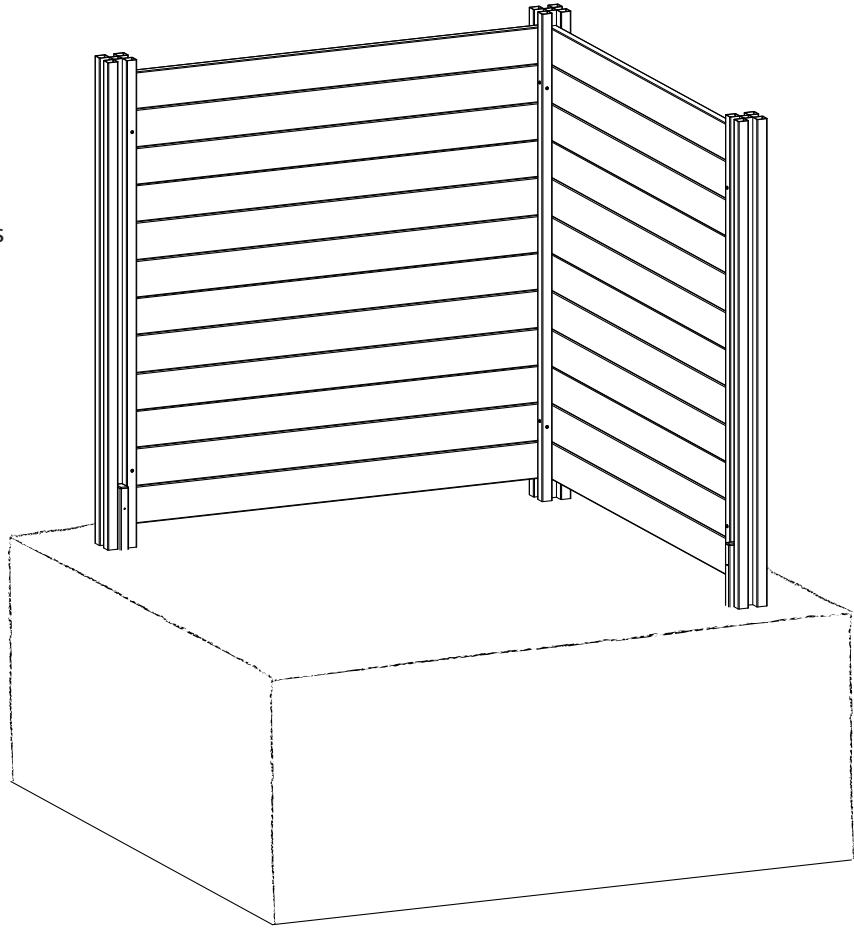
Repeat for other ground stake.

2

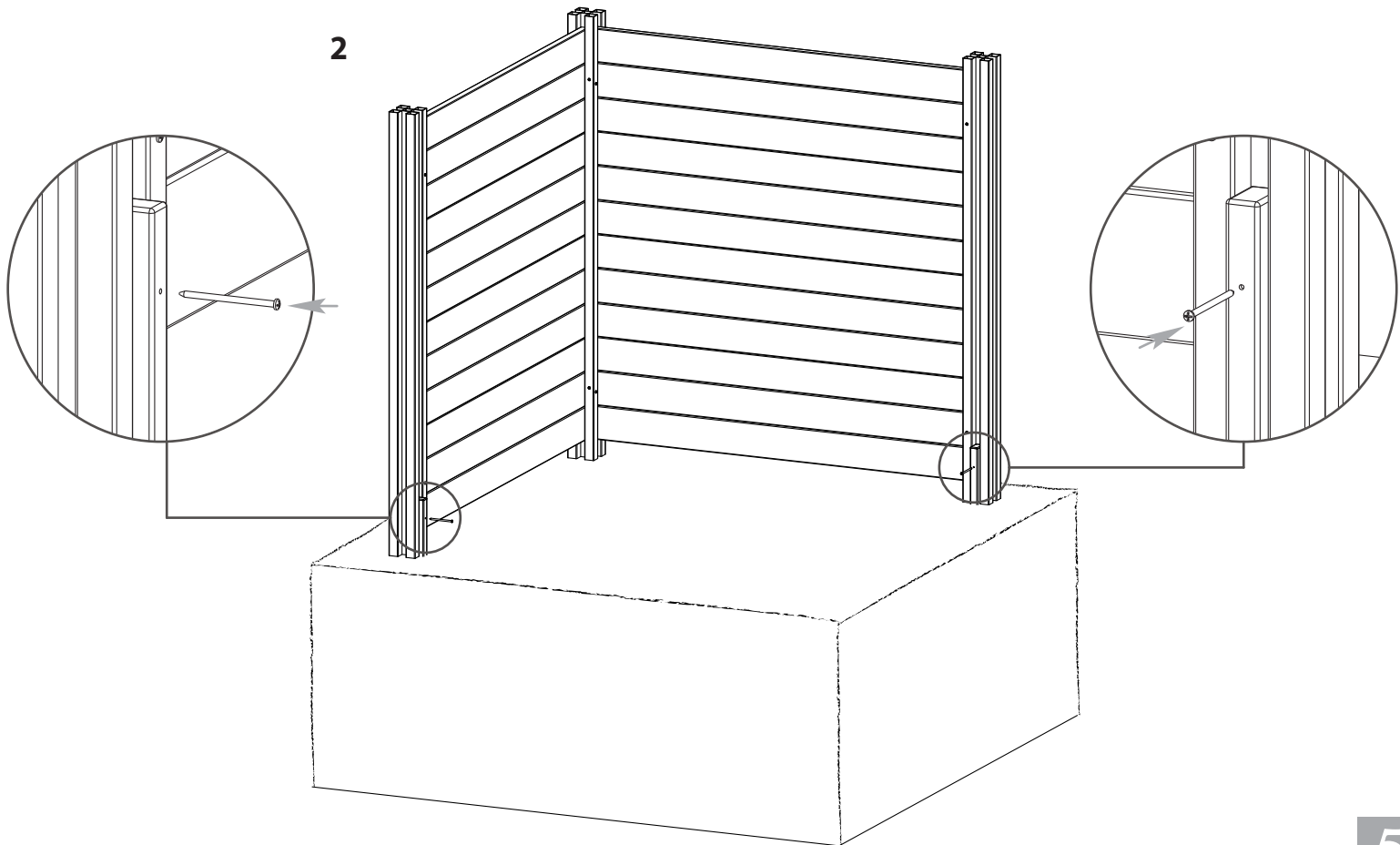
Fasten both ground stakes to the posts using the screws provided through the pre-drilled holes in each stake.



1



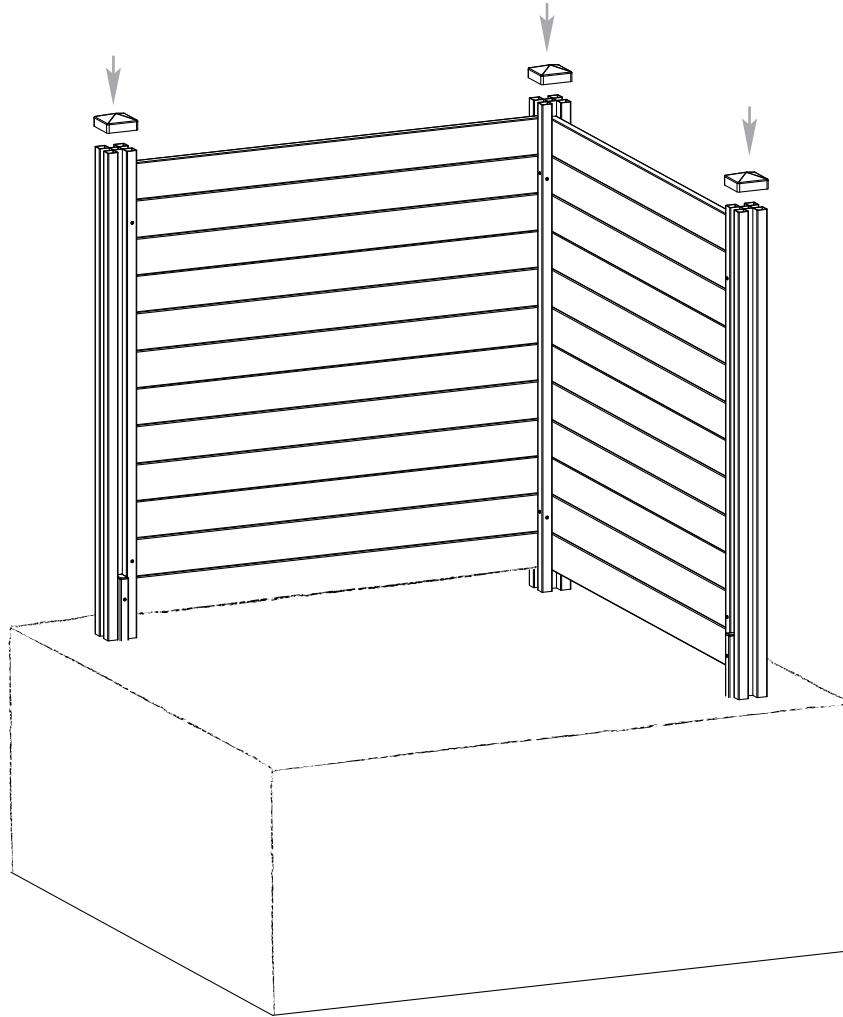
2



STEP FOUR

1

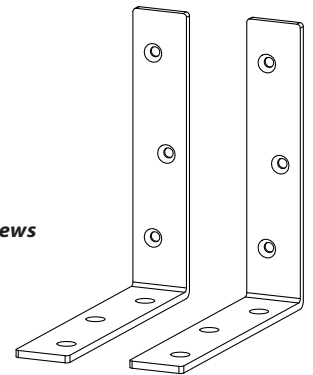
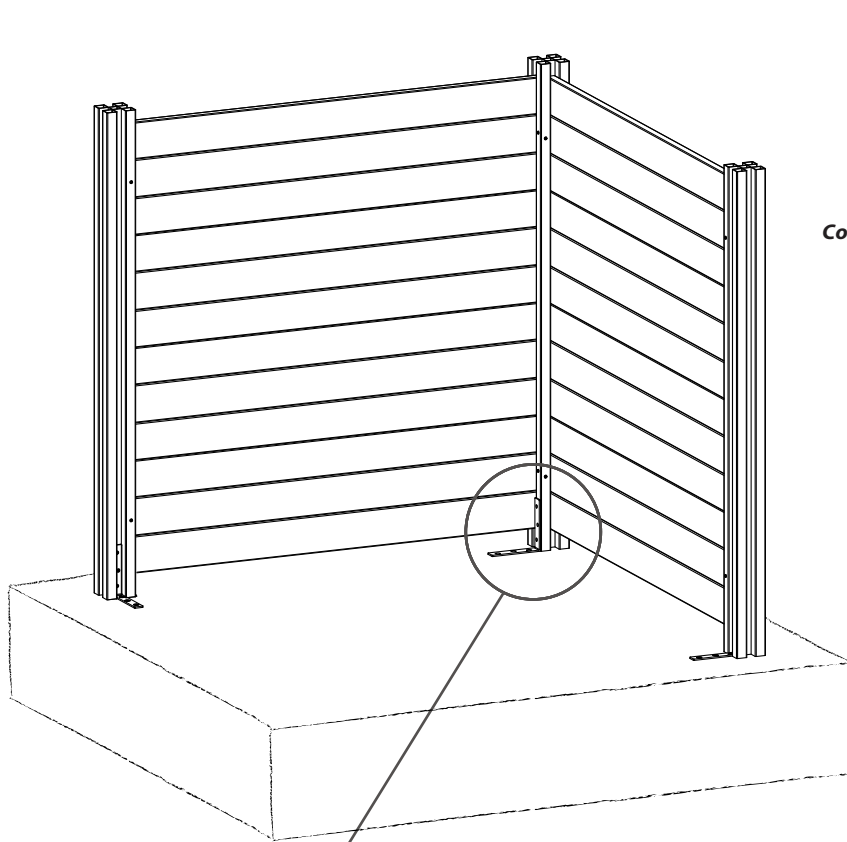
Finish the assembly by pushing the post caps down over the top of posts as illustrated.



Mounting to Pre-Existing Concrete or Wood Surface? (Optional)

Use galvanized steel corner brackets as illustrated.

Purchase both the brackets and necessary hardware for mounting to a concrete or wood surface from your local hardware store.



Galvanized Corner Brackets
(Sold Separately)

