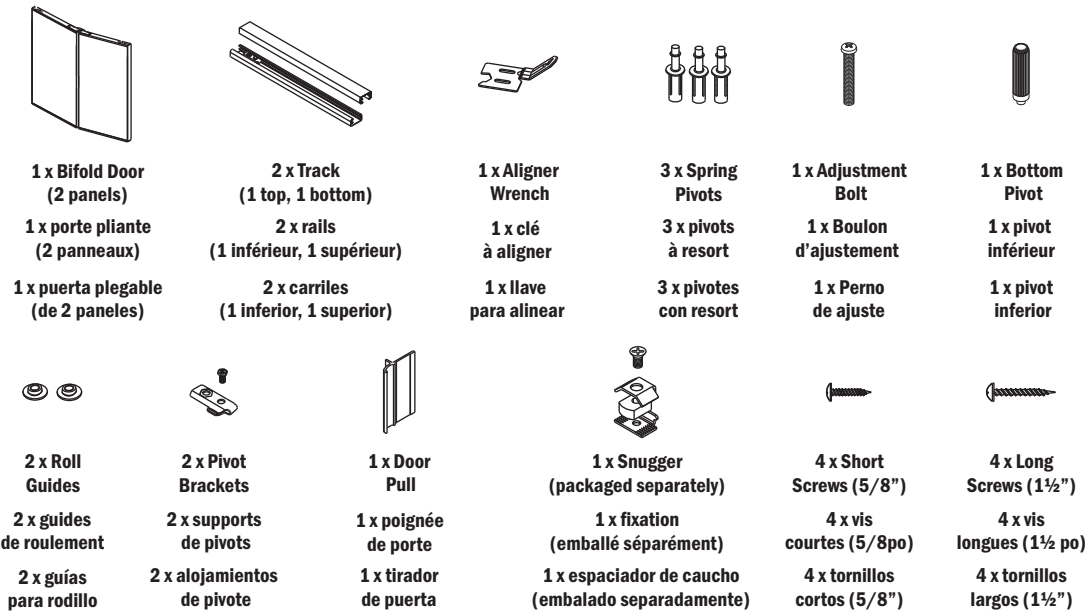
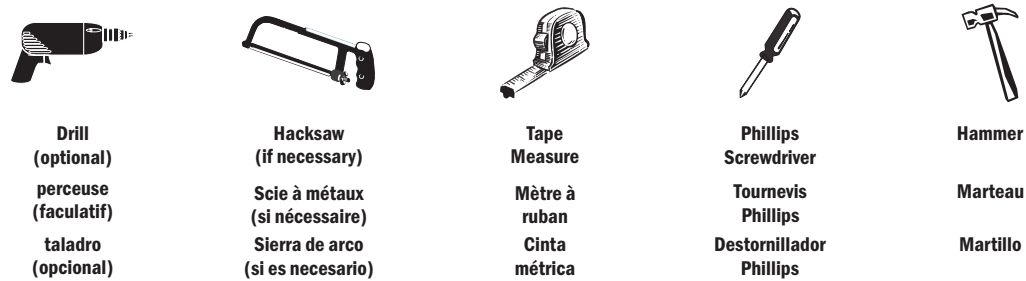


88120 BIFOLD DOOR

THIS PACKAGE INCLUDES: / CET EMBALLAGE CONTIENT:/ ESTE PAQUETE CONTIENE:



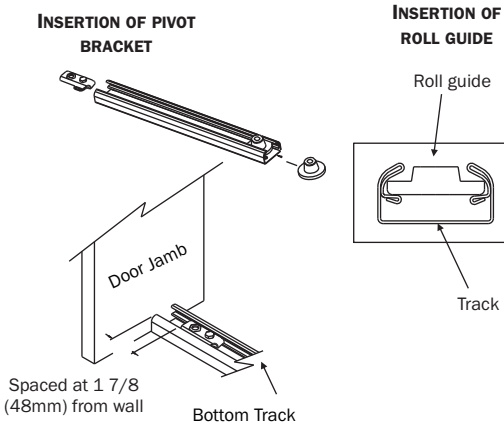
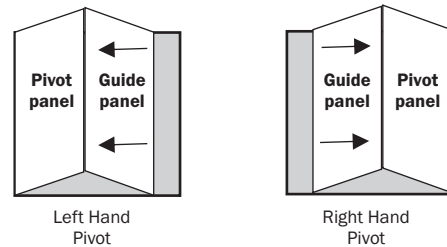
TOOLS REQUIRED: / OUTILS NÉCESSAIRES: / HERRAMIENTAS NECESARIAS:



ENGLISH INSTRUCTIONS:

STEP ONE

Determine which panel will be the pivot panel. Choose whether you would like your door to be a right hand pivoting door or a left hand pivoting door.



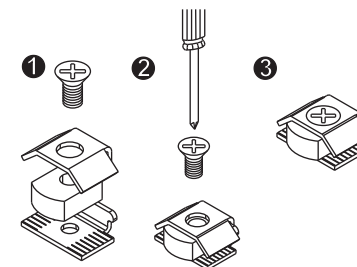
STEP TWO

Proceed to insert the roll guides and fasten the pivot brackets into the track prior to installation of the track. Install the pivot brackets 1-7/8" (48mm) from the wall to pivot bracket edge. **Please note:** The hole pattern on top and bottom tracks are determined randomly, and it does not affect the operation of the door.

STEP TWO A

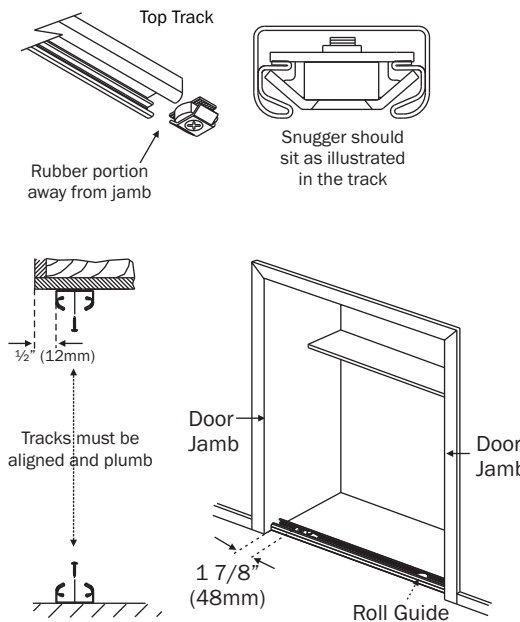
Assemble Snagger

As illustrated put the snagger pieces together. Be careful to only finger tighten the screw, as adjustments will be made in future steps.



STEP TWO B - 2 DOOR APPLICATIONS

Insert snagger into top track at opposite end of pivot bracket. **Please Note:** For 4 door applications, please see next column for instructions.



STEP THREE

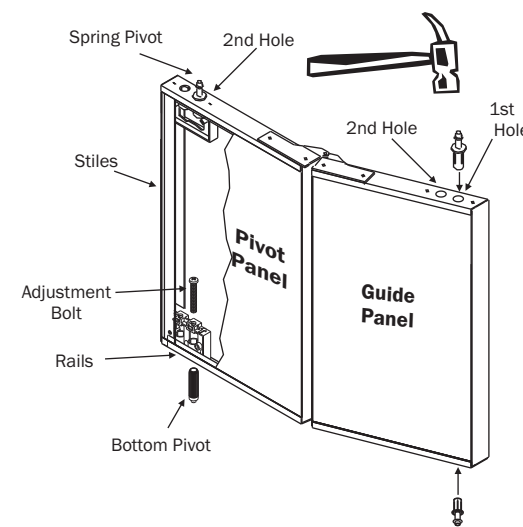
Attach Top and Bottom Track

Screw in tracks at a minimum of 1/2" (12mm), in from the jamb face (use long screws for the top track and short screws for the bottom track). This will ensure that the door does not protrude from the opening while it is closed. Wall plugs (not provided) may be required if drilling into concrete or ceramic tile.

STEP FOUR

Insert Pivots

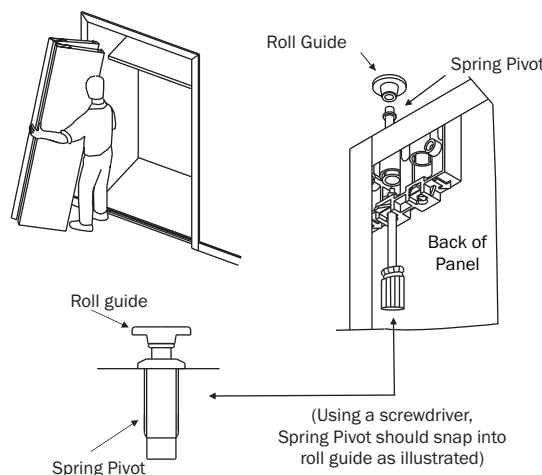
Insert spring pivot into the **second** hole at the top of the pivot panel. The bottom pivot, used for height adjustment, must be inserted into the **second** hole at the bottom of the pivot panel. The adjustment bolt is threaded through the corner block above the bottom pivot. The remaining spring pivots are inserted into the first holes of the guide panel. **Please Note:** For Brass Laminated bifold doors only, locate the panel with the light scuff marks found at the midpoint of the stiles. Orient this panel as pivot panel. Affix door pull over scuff marks (as per step six).



STEP FIVE A

Insert Pivot

Snap top pivot into pivot bracket. Then position bottom pivot into bracket.



STEP FIVE B

Install Guide Panel

Snap spring pivot into roll guides.

Please Note:

For heavier doors, you may prefer to insert the bottom pivot first.

STEP SIX

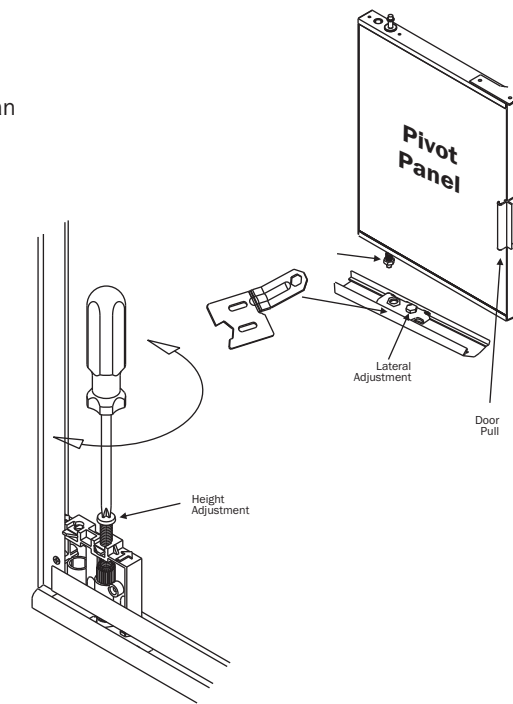
Final Adjustments

Both top and bottom pivot brackets can be adjusted laterally.

For **lateral adjustment** release pivot bracket screw and slide pivot bracket along track, once located, re-tighten screw. **Height adjustment** is achieved by turning the adjustment bolt with a Phillips screwdriver as shown.

Attach the door pull onto the **pivot panel** at desired height (approx. 40" (1016mm) from the floor). Clean the stile with isopropyl (rubbing) alcohol before attaching the pull to the panel as this maintains proper adhesion.

Locate and tighten snagger with screwdriver until panel closes with a light snap.



FOUR DOOR APPLICATIONS

STEP ONE

BEFORE INSTALLING TRACKS - Slide two snuggers with rubber side facing towards the door jambs into the middle of the top track. Then slide one roll guide and one pivot bracket at one end so that they are beside the snagger and then repeat for the other side. Repeat the installation of pivot brackets and roll guides for the bottom track (no snuggers for bottom track). Pivot brackets once inserted, are installed 1-7/8" (48mm) from each door jamb. Locate and tighten snagger with a screwdriver until doors close with a light snap.

STEP TWO

Fasten tracks into place, making sure tracks are plumb to each other.

STEP THREE

Final Adjustments

See Step Six above for instructions.

