

# Installing Track System Without Ceiling Fan

**READ ALL OF THESE INSTALLATION INSTRUCTIONS BEFORE  
INSTALLING THE TRACK SYSTEM.**



## **IMPORTANT SAFETY INSTRUCTIONS**

- a) Read all instructions.
- b) Do not install this track in damp or wet locations.
- c) (For track lighting systems other than those that comply with Section 30, Field Cutting) Do not cut any track sections.
- d) Do not install any part of a track system less than 5 feet above the floor.
- e) Do not install any fixture assembly closer than 6 inches from any curtain, or similar combustible material.
- f) Disconnect electrical power before adding to or changing the configuration of the track.
- g) Do not attempt to energize anything other than lighting track fixtures on the track. To reduce the risk of fire and electric shock, do not attempt to connect power tools, extension cords, appliances, and the like to the track.
- h) (For track lighting systems other than 120 volts, 2-wire) Do not connect a track to more than one branch circuit unless the track is constructed so that it can be used with more than one branch circuit. Check with a qualified electrician. Although the track lighting system may seem to operate acceptably, a dangerous overload of the neutral may occur and result in a risk of fire.

**SAVE THESE INSTRUCTIONS AND REFER TO THEM WHEN ADDITIONS TO  
OR CHANGES IN THE TRACK CONFIGURATION ARE MADE.**

# Installing Track System Without Ceiling Fan

**WARNING:** To avoid possible electrical shock, be sure electricity is turned off at the circuit breaker or main fuse box before wiring.

1. Connect the black (hot) wire from the ceiling to the orange wires from the power connector. Connect the white (neutral) wire from the ceiling to the white wire from the power connector. Secure the wire connections with the plastic wire nuts provided. After the connections are made, check to make sure there are no loose strands. As an additional precaution, we suggest to secure the plastic wire connectors to the wires with electrical tape. (Fig. 1)

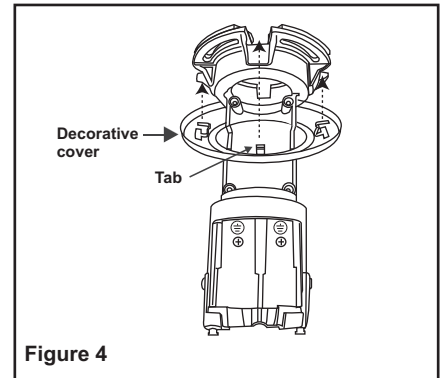
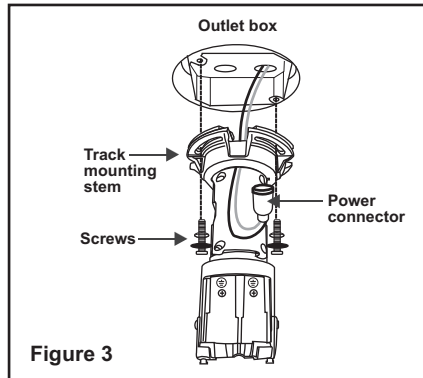
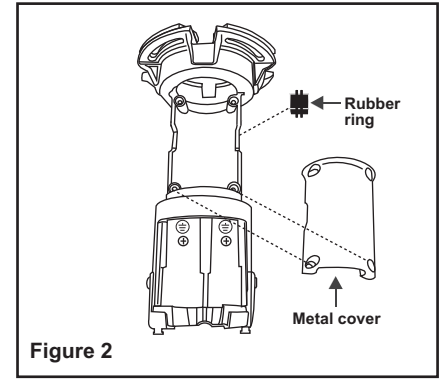
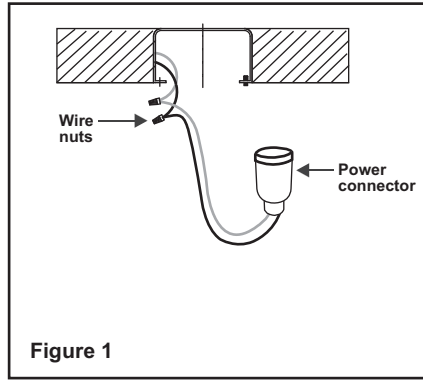
2. After connecting the wires, spread them apart so that the green and the white wires are on one side of the outlet box and the black wires are on the other side.

3. Remove the metal cover and rubber ring from the track mounting stem by loosening the 4 screws on metal cover. (Fig. 2)

4. Secure the track mounting stem to the ceiling outlet box using the screws and washers included with your outlet box. (Fig. 3)

5. Gently push the power connector back into the track mounting stem with the arrow sticker facing up.

6. Slide the decorative cover to the top of the track mounting stem and secure. (Fig. 4)



## PREPARING THE RAIL SECTIONS FOR INSTALLATION

### Create Layout

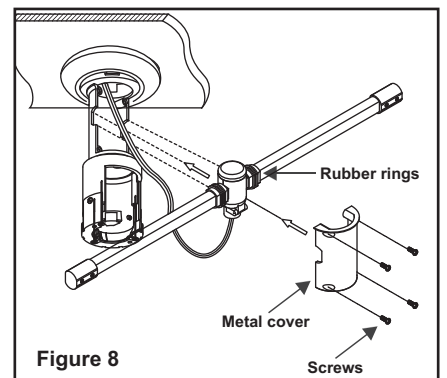
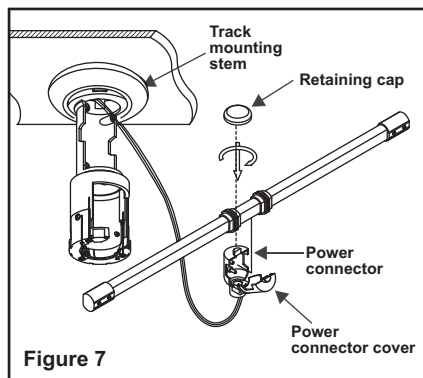
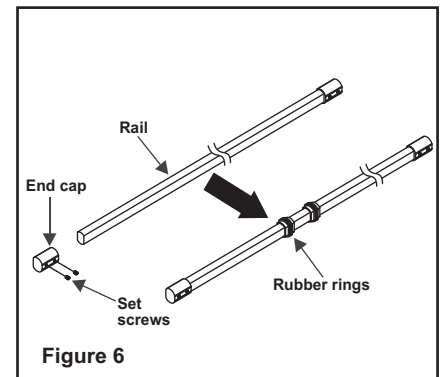
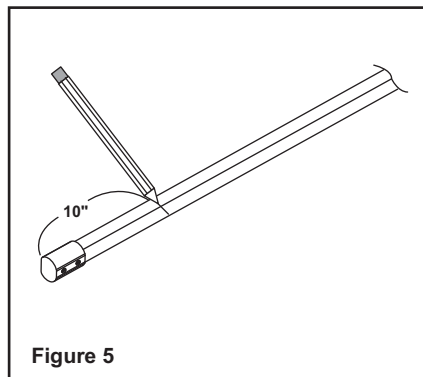
The Line voltage flexible track kit allows you maximum flexibility in creating an attractive lighting system for your room. The tracks can be mounted in an infinite combination of curves and straight runs. The adjustable track heads can be mounted anywhere along the track run.

**NOTE:** To bend or curve the rail, use a round kitchen tabletop or similar household item as a template to bend the rail such as a Table Top, Waste Paper Basket or, Counter Top. Carefully hold the rail with one hand starting from the center and working towards the ends. If the rail will be mounted as a straight run. Proceed to Step 1. (Fig. 5)

Step 1. The power connector along with the track mounting stem and the track support stems will be used to support the rail from the ceiling providing a total of six support stems. Use a pencil and tape measure to mark two of the support locations on the rail 10" from each end of the rail.

Step 2. Locate the 6 support stems and mounting hardware packet which contains 6 screws and 6 pcs anchors.

Step 3. Lift the rail to the ceiling. Lining the rail up with the power connector track mounting stem, Use a pencil to transfer the track support stem locations to the ceiling.



## Installing the Rails to the Ceiling

1. Loosen the set screws of the end caps and remove the end caps from the rail. Place 2 rubber rings to the rail. (Fig. 6)

2. Remove the retaining cap on the power connector. Open the power connector cover and insert the flex rail into the power connector cover. Replace the retaining cap, making sure the connection is secure. (Fig. 7)

3. Installing the rail to the track mounting stem; be sure the rubber rings are placed into the concave of the track support stem. Replace the metal cover with 4 screws that loosened previously. (Fig. 8)

4. Line up the drywall anchors with the marks on the ceiling and use a hammer to tap the anchor approximately 1/2" into the ceiling. Stop just before the threaded portion of the anchor enters the ceiling and begin to screw in the anchors. The use of a drill may be necessary to facilitate the installation of the anchors. (Fig. 9)

5. Loosen the track support stem holder from the track support stem assembly and secure the track support stem holder into the anchor with tapping screws until it is in place. Secure the track support stem assembly to the threaded track support stem holder. Repeat steps for the remaining track support stems. (Fig. 10)

6. Remove the retaining cap from the track support stem assembly, open the rail mounting bracket, and then insert the flexible rail mounting bracket. Replace the retaining caps to secure the flexible rail. (Fig. 11)

7. Slide the track support stem cover to the track mounting stem and secure. (Fig. 12)

8. Repeat the procedure from step 4, 5 and 6 for remaining track support stem.

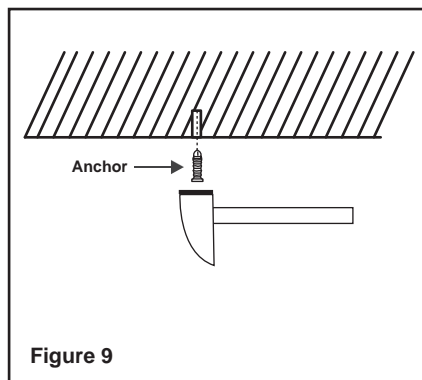


Figure 9

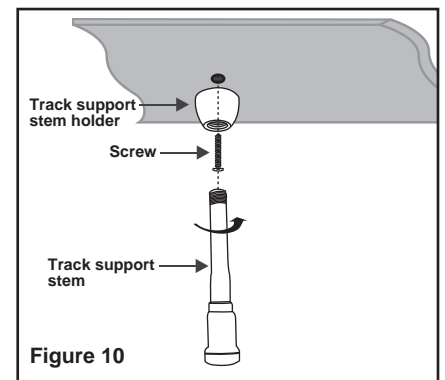


Figure 10

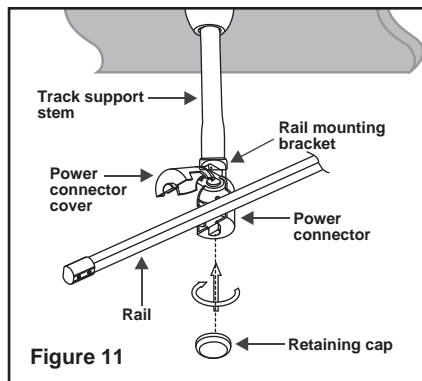


Figure 11

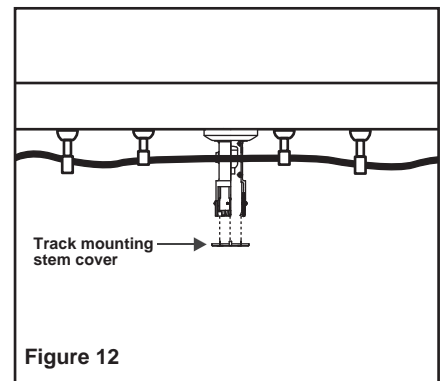


Figure 12

## Installing the Light Fixtures

1. Remove the retaining cap on the power connector of the light fixture. Open the power connector cover and align the two slots of the rail to the two tabs on the power connector. Close the power connector cover and replace the retaining cap, make sure the connection is secure. (Fig. 13)

2. Gently slide the glass shade over the steel tensioners. Make sure the glass shade is fully inserted into the socket for a secure fit. Repeat for the remaining glass shades. (NOTE: To remove the glass shades, gently slide the shade partially from the socket.) (Fig. 14)

3. Install 50W GU10 2-pin base halogen bulbs (included).

**ATTENTION:** This track light fixture includes a 450 watt limiting device. If lamping exceeds 450 watts, the track light fixture will shut off automatically.

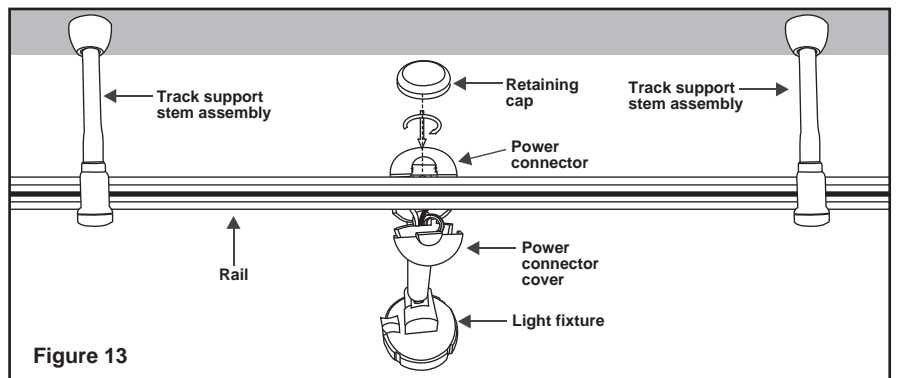


Figure 13

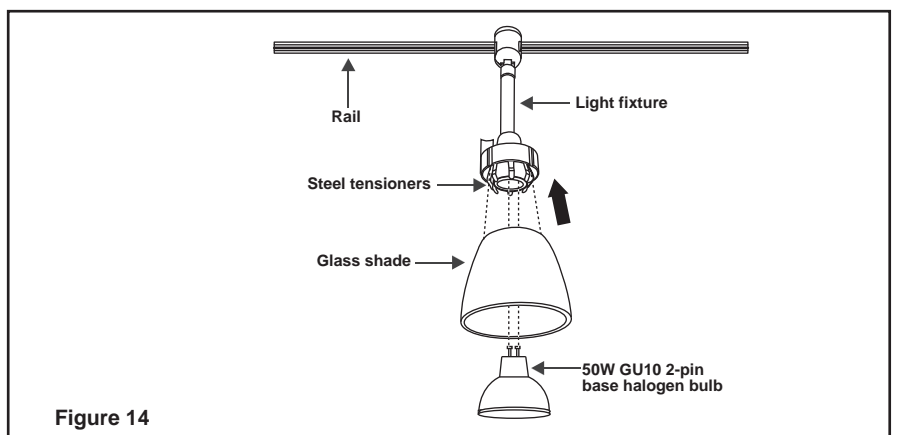


Figure 14