

The limited warranty set forth below is given by Precision Products, Incorporated with respect to new merchandise purchased and used in the United States, its possessions and territories.

Precision Products, Incorporated warrants the product (s) listed against defects in material and workmanship, and will at our option, repair or replace, free of charge, any part found to be defective in materials or workmanship. This limited warranty shall only apply if this product has been assembled, operated, and maintained in accordance with the owner's manual furnished with the product, and has not been subjected to misuse, abuse, neglect, accident, improper maintenance, alteration, vandalism, theft, fire, water, or damage because of other peril or natural disaster.

Normal wear parts or components thereof are subject to separate terms as follows: All normal wear parts or component failures will be covered on the product for a period of one year. Parts found to be defective within the warranty period will be replaced at our expense. Our obligation under this warranty is expressly limited to the replacement or repair, at our option, of parts found to be defective in material and workmanship.

**Contacting Service**

Warranty parts replacements are available, ONLY WITH PROOF OF PURCHASE, through our Customer Service Department. Call **1 (800) 225-5891**

This limited warranty does not provide coverage in the following cases:

1. Routine maintenance items such as lubricants and filters.
2. Normal deterioration of the exterior finish due to use or exposure.
3. Transportation and/or labor charges.

No implied warranty, including any implied warranty of merchantability of fitness for a particular purpose, applies after the applicable period of expressed written warranty above as to the part as identified below. No other expressed warranty whether written or oral, except as mentioned above, given by any person or entity, including a dealer or retailer, with respect to any product, shall bind Precision Products, Inc. During the period of the warranty, the exclusive remedy is repair or replacement of the product as set forth above.

The provisions as set forth in this warranty provide the sole and exclusive remedy arising from the sale.

Precision Products Inc. Will not be liable for incidental or consequential loss or damage including, without limitation, expenses incurred for substitute or replacement lawn care services, or for rental expenses to temporarily replace a warranted product.

Some states do not allow the exclusion of limitation of incidental or consequential damages, or limitations on how long an implied warranty lasts, so the above exclusions or limitations may not apply to you.

During the warranty period, the exclusive remedy is replacement of the part. In no event shall recovery of any kind be greater than the amount of the purchase price the product sold. Alteration of safety features of the product shall void this warranty. You assume the risk and liability for loss, damage, or injury to you and your property and/or to others and their property arising from the misuse or inability to use this product.

This limited warranty shall not extend to anyone other than the original purchaser or to the person for whom it was purchased as a gift.

**Local Law to this Warranty**

This limited warranty gives you specific legal rights, and you may also have other rights which vary from state to state.

**Warranty Period**

The Warranty period stated below begins with the **Proof of Purchase**. Without the proof of purchase, the Warranty period begins from the date of manufacture.

**Dump Cart Warranty Period**

The warranty period for this unit is as follows: All parts are covered one year from the date of sale.



**Manual Contents**

Safety Instructions .....	2
Assembly.....	4-6
Operation.....	6
Maintenance.....	6
Parts.....	3
Warranty.....	8

**Your New Mighty Yard Garden Cart**

**Congratulations** on your purchase of a new Precision Products, Inc. Mighty Yard Garden Cart. Your Cart has been engineered and built to give you the most dependable and best performing product possible.

If you experience any problem you can not easily resolve, please feel free to contact our knowledgeable and helpful customer service department toll-free at **1 (800) 225-5891**.

**Caution:** Carefully read all rules and instructions for safe operation.

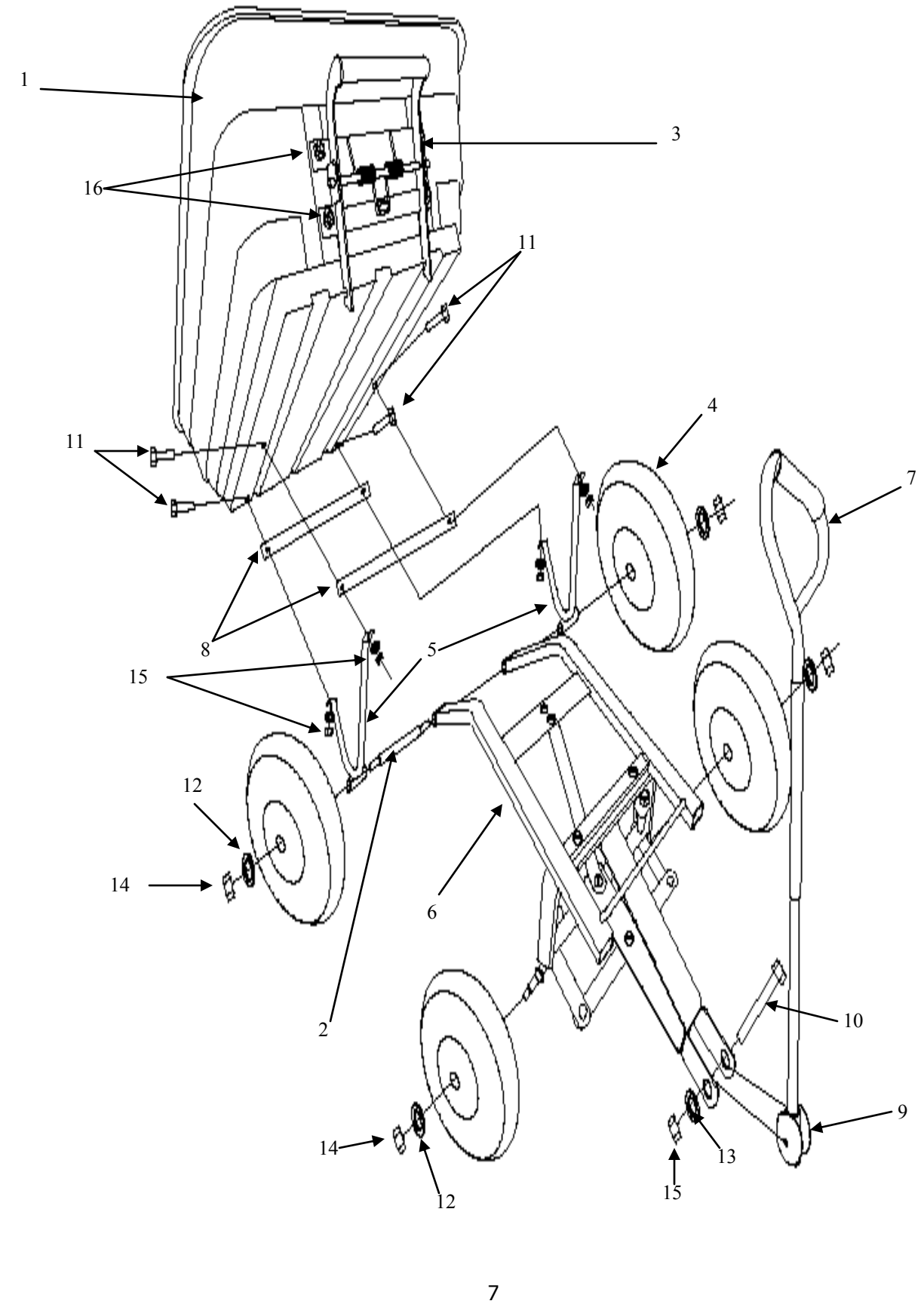
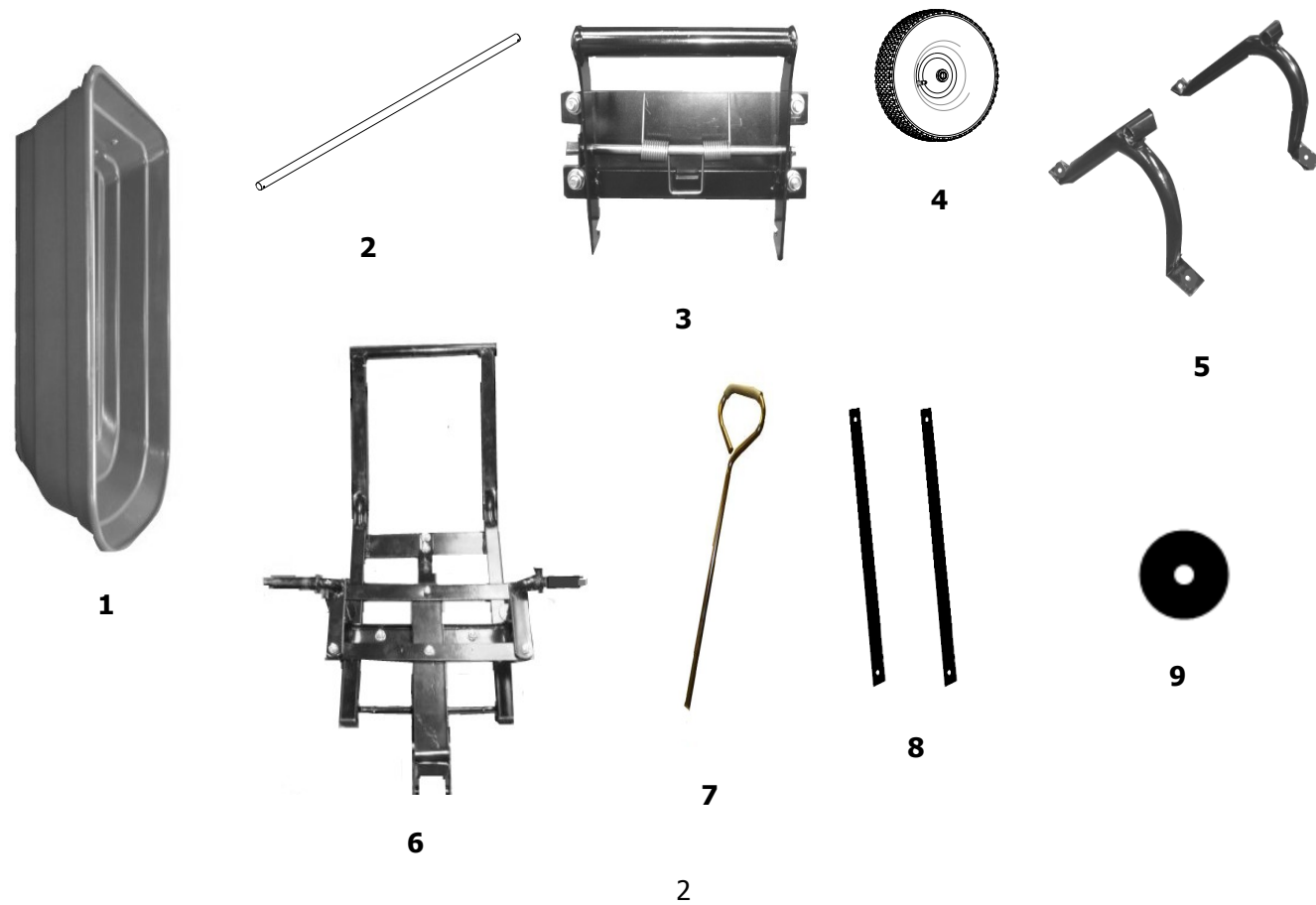
## Rules for Safe Operation

The following safety precautions are suggested. This Cart is designed, engineered and tested to offer reasonably safe and effective service, provided that it is operated in strict accordance with these instructions. Failure to do so may result in personal injury. Always observe the rules of safe operation. Please read and retain this manual.

- Read and understand your owner's manual and safety rules before using.
- Do not allow anyone to ride or sit on equipment during operation.
- Do not allow children to use cart. This cart is not a toy.
- Always distribute load evenly over the surface of the bed.
- Do not load anything on the edges of the plastic tray.
- Do not use if any parts are damaged or broken.
- Do not operate or use on objects that may cause damage to the pneumatic tires or tubes.
- **Please use a manual foot or hand pump to inflate tires. Do not inflate tires to more than 20 PSI.**
- **Do not load Cart with more than 600 pounds. Do not use the tipping/dumping feature of the cart more than 300 pounds.**

### Carton Contents

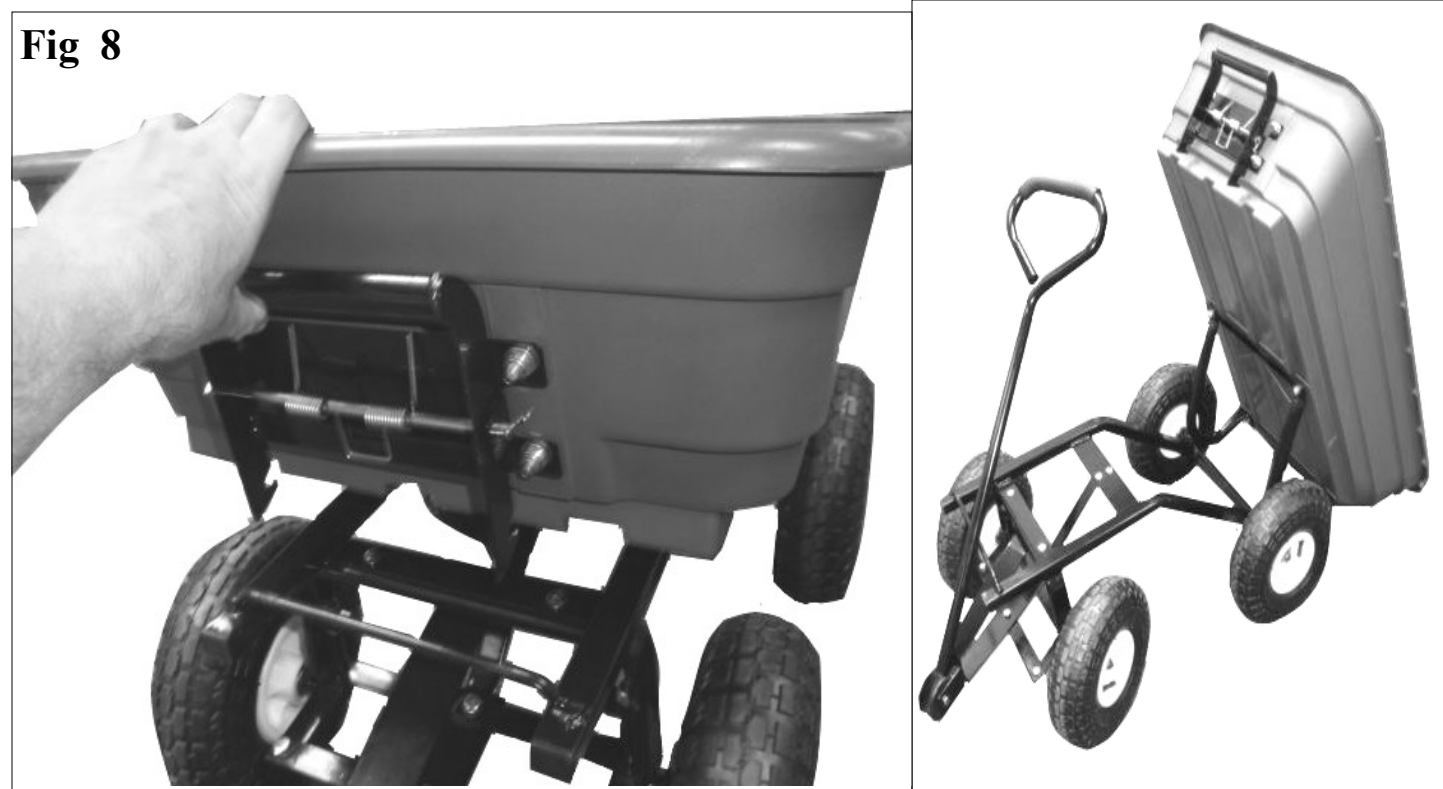
Before assembling the tipping cart please check all the parts and hardware, if anything is missing or damaged, please contact the seller.



## Operating Instructions

### Using the tipping feature

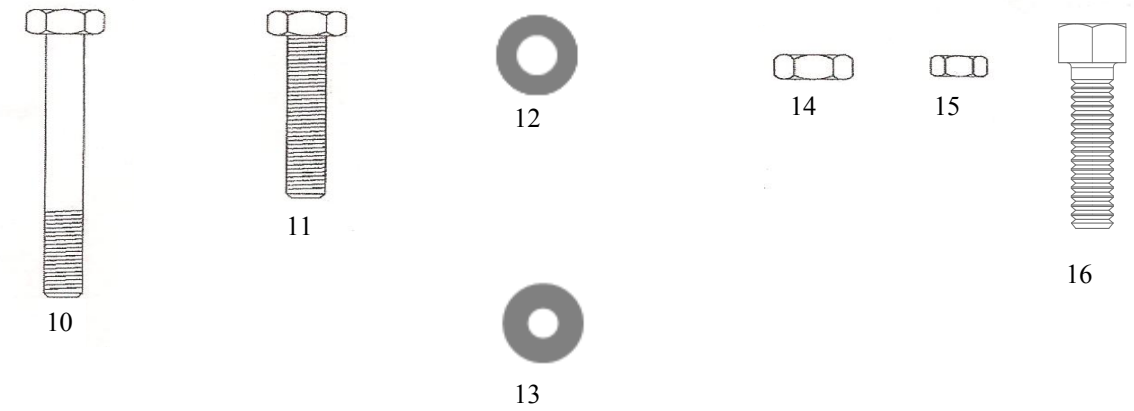
To tip the tray, press and hold the handle and tray. Lift up the tray to allow the contents to tip out. When tipping is completed, place tray back into horizontal position ensuring the locking handle is securely in place. Refer to figure 8.



**Fig 8**

Ref.	QTY.	Description
1	1	Body
2	1	Axle
3	1	Locking Frame
4	4	Wheel
5	2	Left & Right Leg
6	1	Frame Assembly
7	1	Handle
8	2	Cart Stiffeners
9	1	Handle Coupler
10	1	M8 X 60 Bolt
11	4	M8 X 25 Bolt
12	4	M12 Washer
13	9	M8 Washer
14	4	M12 Lock Nut
15	9	M8 Lock Nut
16	4	M8 X 20

**Not Shown Actual Size**



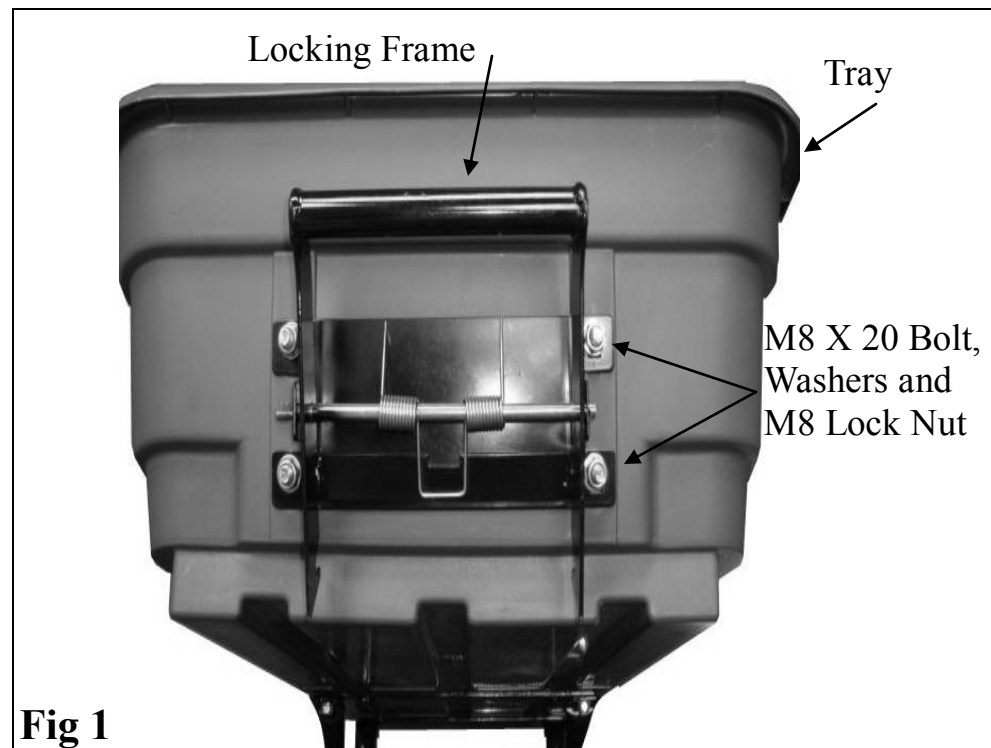
Ref.	QTY.	Description
1	1	Body
2	1	Axle
3	1	Locking Frame
4	4	Wheel
5	2	Left & Right Leg
6	1	Frame Assembly
7	1	Handle
8	2	Cart Stiffeners
9	1	Handle Coupler
10	1	M8 X 60 Bolt
11	4	M8 X 25 Bolt
12	4	M12 Washer
13	9	M8 Washer
14	4	M12 Lock Nut
15	9	M8 Lock Nut
16	4	M8 X 20



Tools required for assembly: Screwdrivers, socket set and adjustable wrenches

**Step 1**

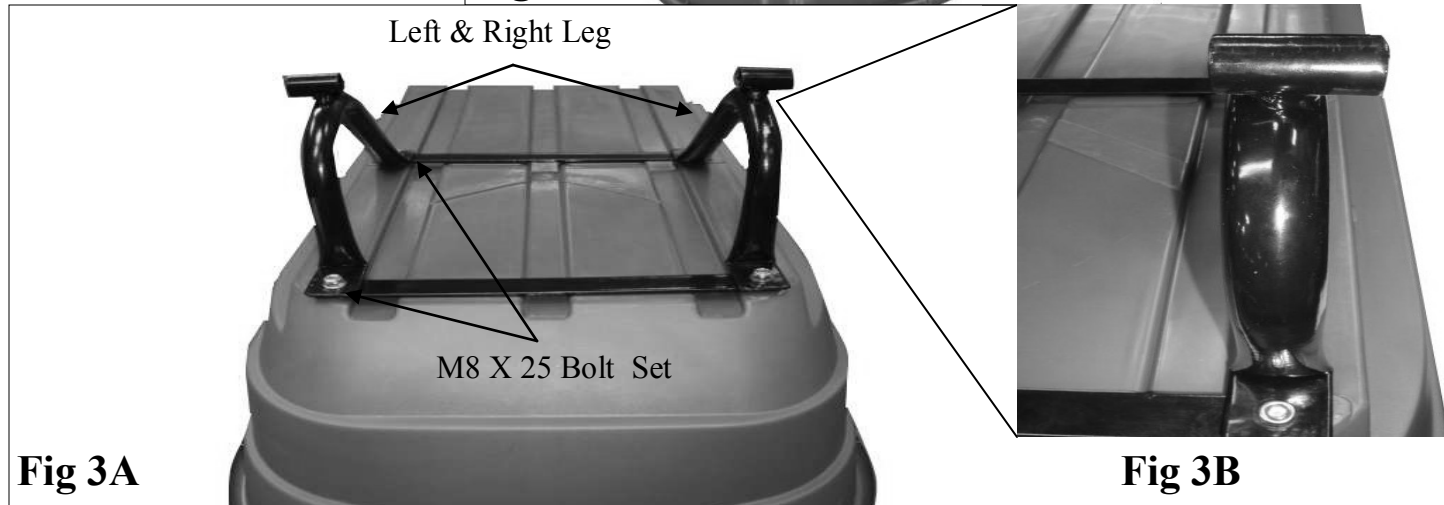
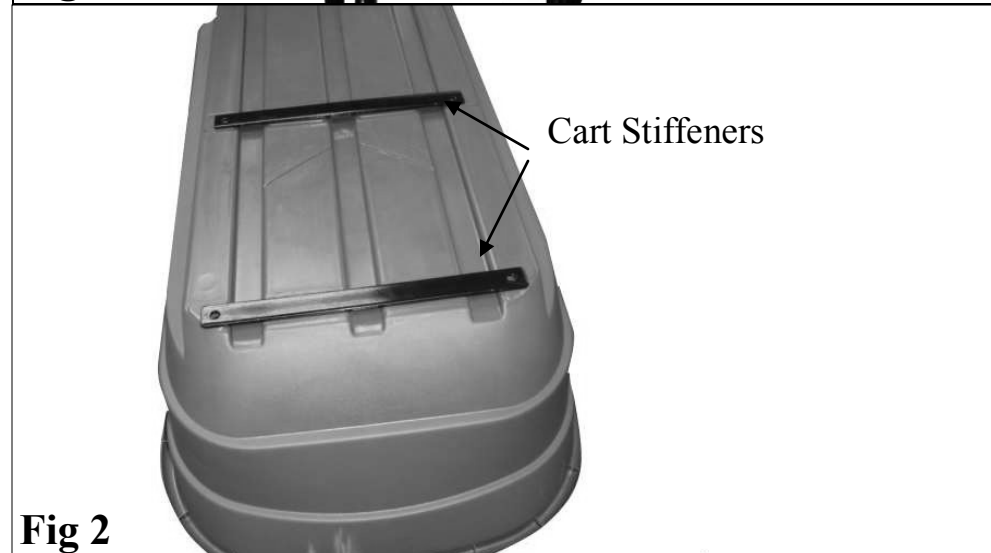
Place the tray upside down and assemble the locking frame to the tray using M8 x 20 bolts (4 pieces), washers (4 pieces) and M8 lock nuts (4 pieces). Refer to figure 1.



**Step 2**

Turn the tray over and place the cart stiffeners across cart body (Figure 2) then place left leg on top of stiffener and secure with M8 x 25 bolt, washer and lock nut. Repeat for right leg. Refer to figure 3A.

**Make sure long section of tubing on legs are facing outwards. See Fig 3B**

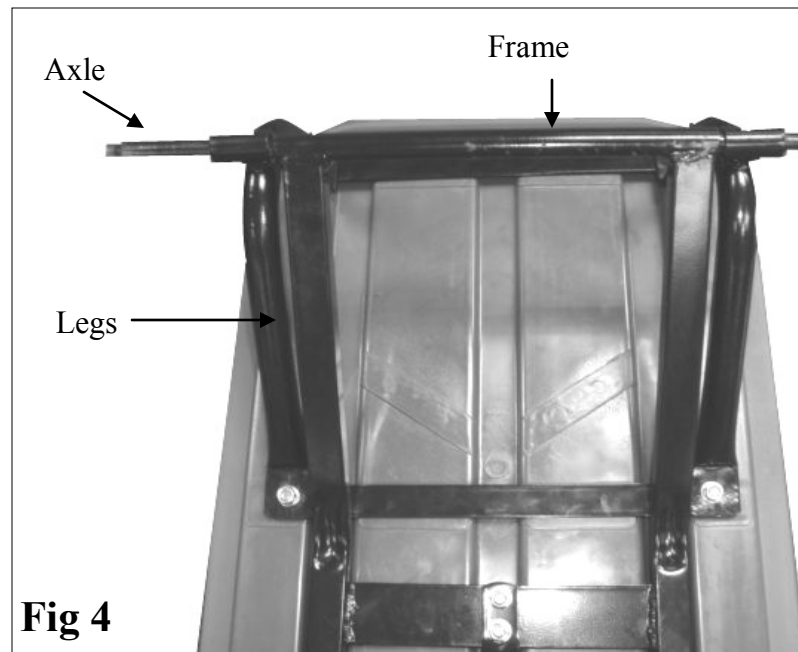


**Fig 3A**

**Fig 3B**

**Step 3**

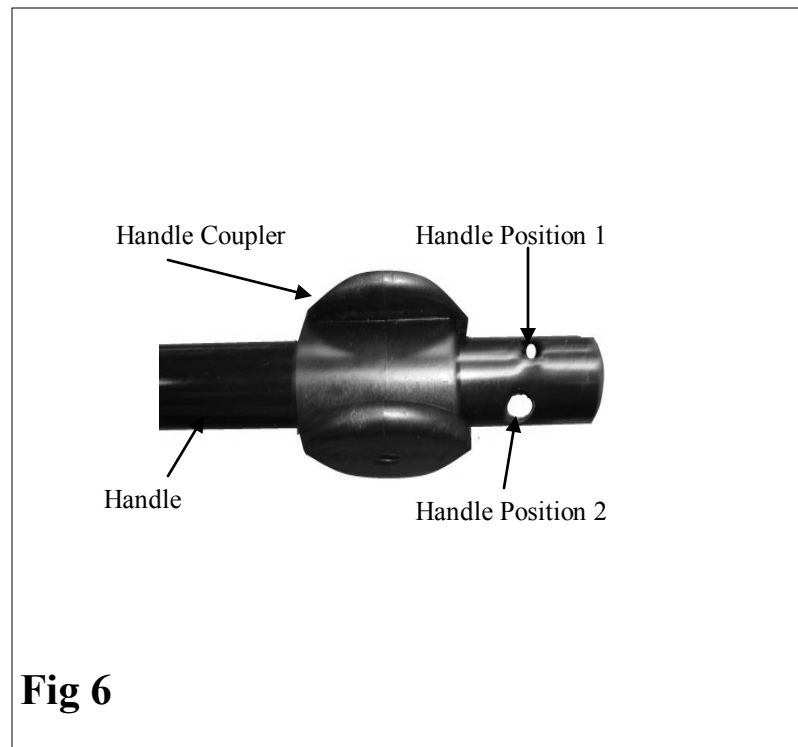
Place the frame assembly onto the tray. Then place the axle through the legs and frame. Refer to Figure 4.



**Fig 4**

**Step 5**

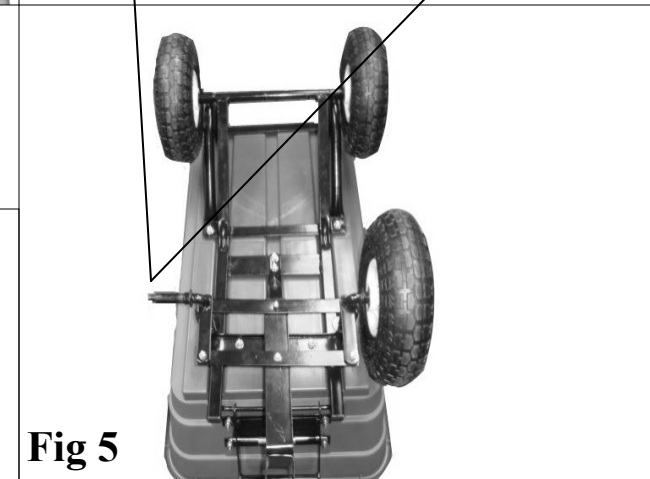
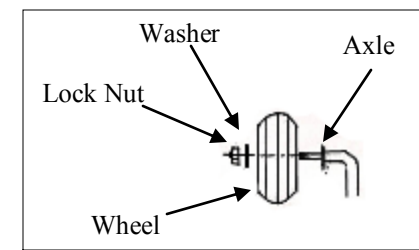
Place handle coupler on handle. Note there are two options for handle position. Rotate the handle to your desired position. Refer to figure 6.



**Fig 6**

**Step 4**

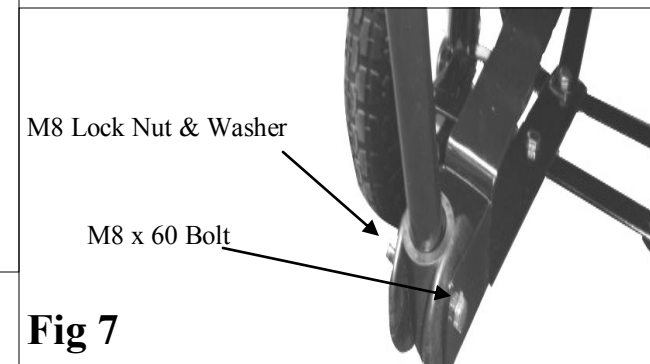
Attach the wheels to the axles using M12 washers (4 pieces) and the M12 lock nut. Refer to Figure 5.



**Fig 5**

**Step 6**

Attach the handle, handle coupler and yoke using M8 x 60 Bolt, M8 lock nut and washer. Refer to figure 7



**Fig 7**