



## Light My Shed™ IV

Model: **GS-16B/16B2**

US Patent # 9458970

US Patent # D543,500



**GS-16B**

**GS-16B2**

**EN** Instruction Manual

## Introduction

EN

Thank you for your purchase. **GAMA SONIC®** solar charged accent lighting eliminates the problems associated with most solar lighting available today. **GAMA SONIC®** solar charged lights are brighter and last all night with a typical solar charge. Unique design, superior light output and numerous installation options confirm the outstanding value of the product.

**GAMA SONIC®** has been recognized as a worldwide leader in the lighting industry for over 20 years. The company also offers unique multi-purpose rechargeable products that range from party lights to emergency lighting products. For technical assistance and more information call our Toll Free number: 800-835-4113 (only within the US).

Visit our website or download the latest version of your instruction manual: [www.gamasonic.com](http://www.gamasonic.com) or [www.gamasonic.com/user-guides](http://www.gamasonic.com/user-guides)

Please read the instruction manual carefully to obtain the best results from your purchase.

## Specification

- Super efficient monocrystalline Solar panel
- Power of solar panel: 3 Watt at full sun
- Light source: GS Solar LED Bulb – A60-20W
- Type of battery: 4.8V Ni-MH, 2000Ma
- Light burns 3-4 Hours with full charge (one day of solar charge)
- Compass for easy solar panel adjustment
- Built in night-light to find switch easily

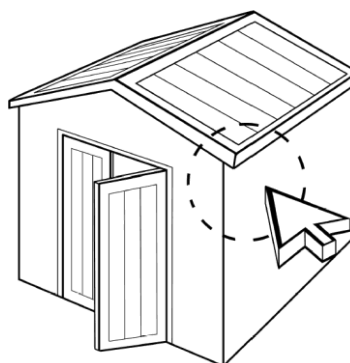
### 1. Location

Select the most suitable location to install the solar module. The solar module can be installed on any exterior wall, front, side or back wall (see figure1). Install the solar module on a wall where the roof does not extend 2 inches over the exterior wall.

#### IMPORTANT NOTE:

Place the solar module in a position where it can get direct sunlight on the solar panel free from obstructions and shade.

Figure 1



## 2. Installation

- A.** Use the solar module to mark and drill the 3 mounting holes plus 1 hole for the electric cord (as shown in figure 2).

Use 1/4" holes for the cord and:

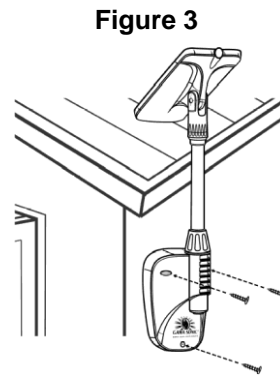
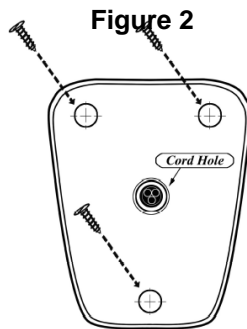
1/16" holes for the mounting holes on wooden sheds

3/8" holes for the mounting holes on metal sheds

3/8" holes for the mounting holes on resin sheds.

- B.** Slide the cord through the cord hole.

Mount the solar module using 3 screws\* to fasten the solar module to the exterior wall (as shown in figure 3).



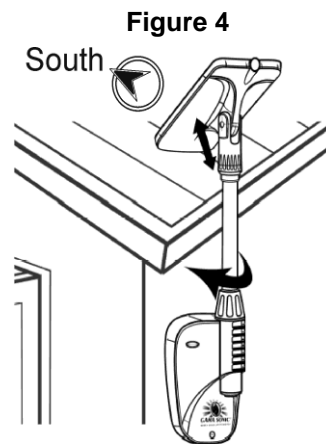
\* Included in the kit

## 3. Solar Panel Adjustment

Position the solar panel facing the south\*. For your convenience use the compass located on top.

Adjust the solar panel to 45° to collect maximum solar energy.

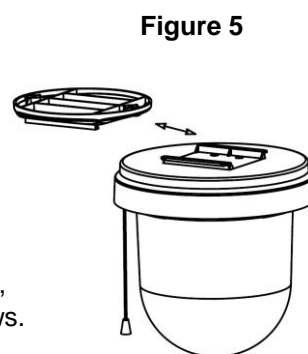
The solar module can swivel 360° and 180° for optimum adjustment (as shown in figure 4).



\* Countries on the southern part of the planet should face the solar panel to the North.

## 4. Light Installation

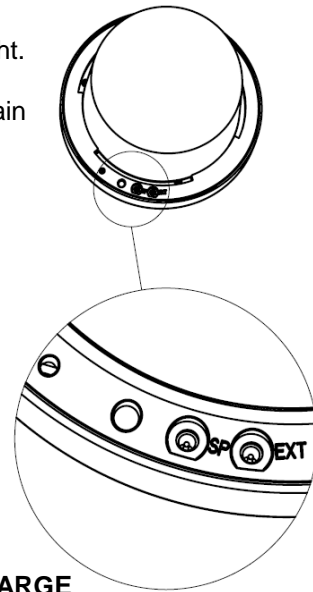
- A.** Slide out the wall bracket from the light, and hold it in your hand.
- B.** Select the desired location for the lamp inside the shed (wall or ceiling). Ensure the solar module cord reaches this location.
- B.** Use an electric drill to make two holes in the wall, and secure the wall bracket with provided screws.
- C.** Slide the Light into the installed wall bracket (figure 5).



## 5. Operation

- A. Plug the solar module cord into the "SP"  
(Solar Panel) Socket located at the bottom of the light.
- B. Pull the pull cord once to switch On the light, pull again to switch Off the light.

Figure 6



**REMEMBER TO SHUT OFF THE LAMP WHEN LEAVING THE SHED TO PRESERVE BATTERY CHARGE**

## 6. Secondary Light (Model: GS-16B2 only)

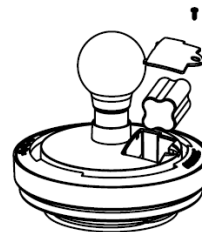
- A. Follow the Light Installation (#4) to install the *secondary light* on the wall.
- B. Make sure the extension 16ft wire (included) can reach the *main light*
- C. Connect the extension wire into the "Ext" (Extension Socket) located at the bottom of the *main light*. The other end to the *Secondary light*.
- D. The switch cord on the *main light* operates both lights.

## 6. Maintenance

Clean the solar module with a damp towel to guarantee optimum performance of the solar panel. Do not use any type of solvent for cleaning and be careful not to put too much pressure on the module while cleaning.

## 7. How to replace battery

- A. Remove the protective lens by turning it counterclockwise.
- B. Unscrew the battery door screw and take the cover out.
- C. Replace it with 4.8V/2000mA and reassemble in reverse procedures.



**NOTE:** The performance of "Light my Shed™ IV" will vary with the time of year. The duration of the light will be longer when the solar panel has had a full day in the sun rather than a day in overcast weather.

**WINTERTIME TIPS:** Keep snow and debris off the solar panel so the batteries can recharge. If the solar panel is covered with snow for an extended period of time, after the snow melts, allow all the batteries to charge in full, direct sunlight for at least 6 hours to their maximum capacity.

**WARNING:** Please keep out of reach of children.

