



# Lavatory Faucet SLS-3512, SLS-3510 Series

## Installation Brief



Model SLS-3512

### Model Numbers

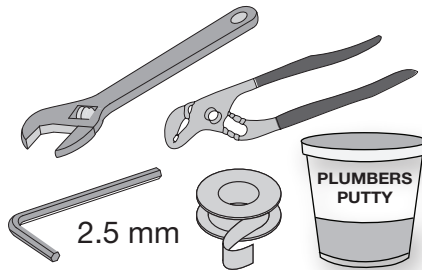
- SLS-3512 Lavatory faucet with lift rod and pop-up drain, p/n LN-01295
- SLS-3510 Lavatory faucet only, p/n LN-01296

### Decorative Finishes

Append finish suffix code to replacement part numbers when applicable

- Polished chrome (standard)

### Tools & Materials



### Need Help?

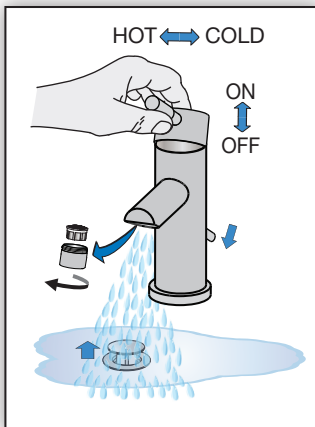
Contact Symmons customer service at P: (800) 796-6667, F: (800) 961-9621  
Email: [customerservice@symmons.com](mailto:customerservice@symmons.com)  
Monday - Friday 7:30 am - 7:00 pm EST

Please check Symmons website for technical help, the latest product information and warranty policy.  
[www.symmons.com/service](http://www.symmons.com/service)

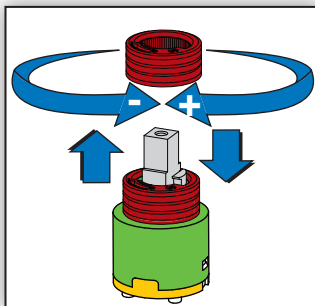
### For California Residents

**WARNING:** This product contains chemicals known to the State of California to cause cancer, birth defects, or other reproductive harm.

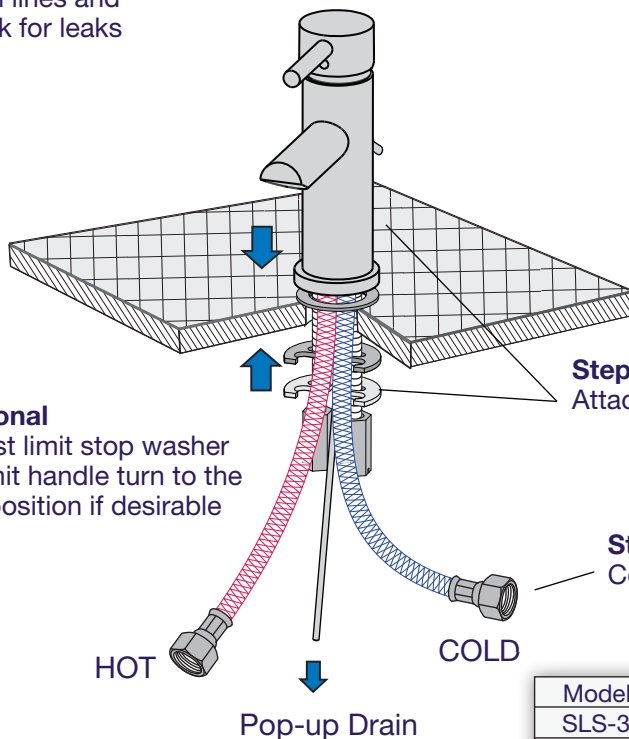
## Quick Install Guide Dia Lavatory Faucet, SLS-3512, SLS-3510 Series



**Step 3**  
Flush lines and check for leaks



**Optional**  
Adjust limit stop washer to limit handle turn to the hot position if desirable



**Step 1**  
Attach faucet assembly

**Step 2**  
Connect supply hoses

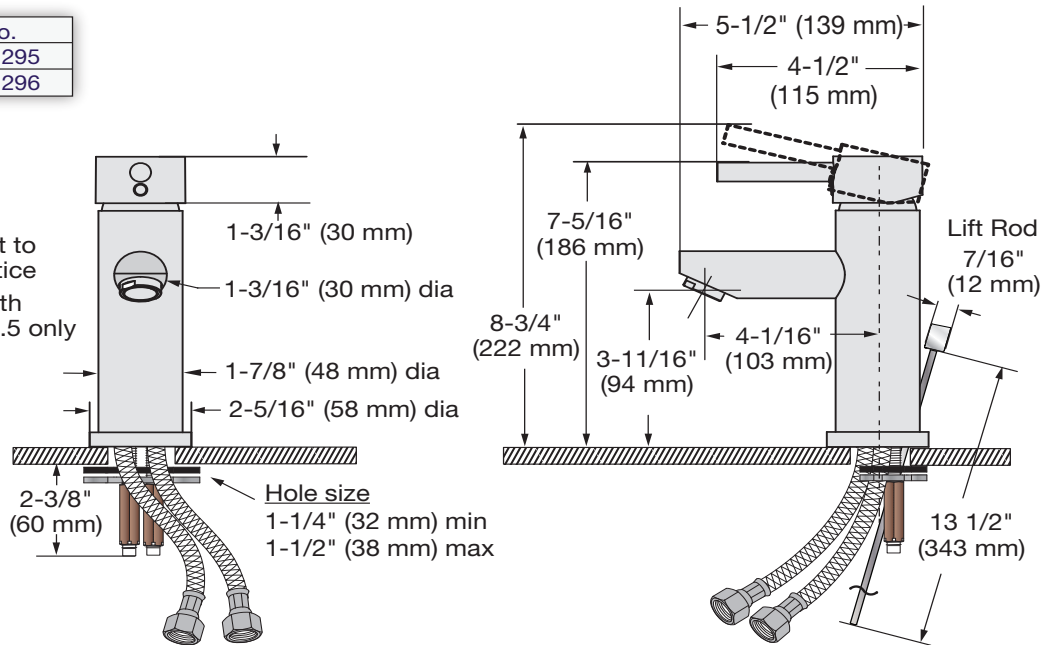
Model	Part No.
SLS-3512	LN-01295
SLS-3510	LN-01296

## Dimensions Dia Lavatory Faucet, SLS-3512, SLS-3510 Series

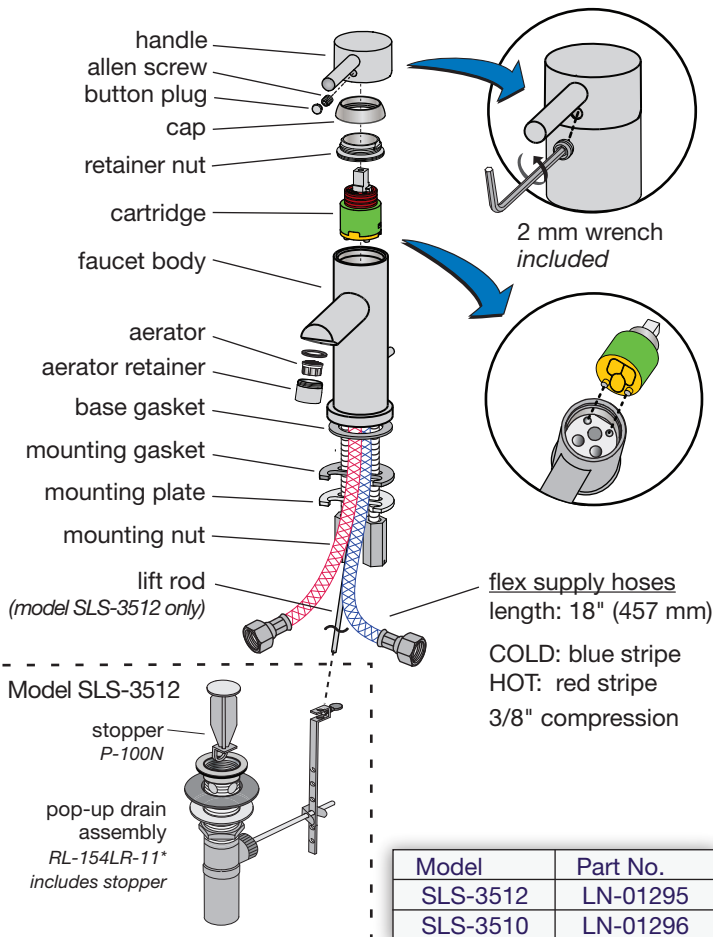
Model	Part No.
SLS-3512	LN-01295
SLS-3510	LN-01296

### Note:

- (1) Dimensions subject to change without notice
- (2) Lift rod included with model SLS-3512-1.5 only




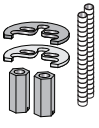


## Parts Assembly Dia Lavatory Faucet, SLS-3512, SLS-3510 Series



Model	Part No.
SLS-3512	LN-01295
SLS-3510	LN-01296

### Replacement Parts

Part Number	Item
RL-279	Cartridge with limit stop 
LN-15* FLR-110-1.5* FLR-110-1.0* RL-071*	<u>Aerator kits</u> 2.2 gpm (8.3 L/min) 1.5 gpm (5.7 L/min) 1.0 gpm (3.8 L/min) 0.5 gpm (1.9 L/min) <i>includes aerator, retainer &amp; washer</i> 
LN-01386	<u>Handle kit</u> <i>includes handle, allen screw &amp; RB button plug</i> <i>requires 2 mm Allen wrench</i> 
RL-238	<u>Mounting hardware kit</u> threaded studs (2) hex nut (2) rubber washer (1) metal washer (1) 

### Ordering replacement parts:

Call Symmons customer service at (800) 796-6667, M-F 7:30 am - 7:00 pm EST or check our website at [www.symmons.com](http://www.symmons.com) for a list of Symmons distributors.

\* Note: For decorative finish faucets append the appropriate suffix code letters to part numbers marked with an asterisk (\*)