



KARSEN 2LT CEILING LIGHT (Item #578500)

ASSEMBLY/INSTALLATION INSTRUCTIONS

Please read carefully and save these instructions, as you may need them at a later date.

CAUTION

Turn off the main power at the circuit breaker before installing the fixture, in order to prevent possible shock

GENERAL

All electrical connections must be in accordance with local and National Electrical Code (N.E.C.) standards. If you are unfamiliar with proper electrical wiring connections obtain the services of a qualified electrician. Remove the fixture and the mounting package from the box and make sure that no parts are missing by referencing the illustrations on the installation instructions.

TOOLS REQUIRED

Phillips screwdriver.

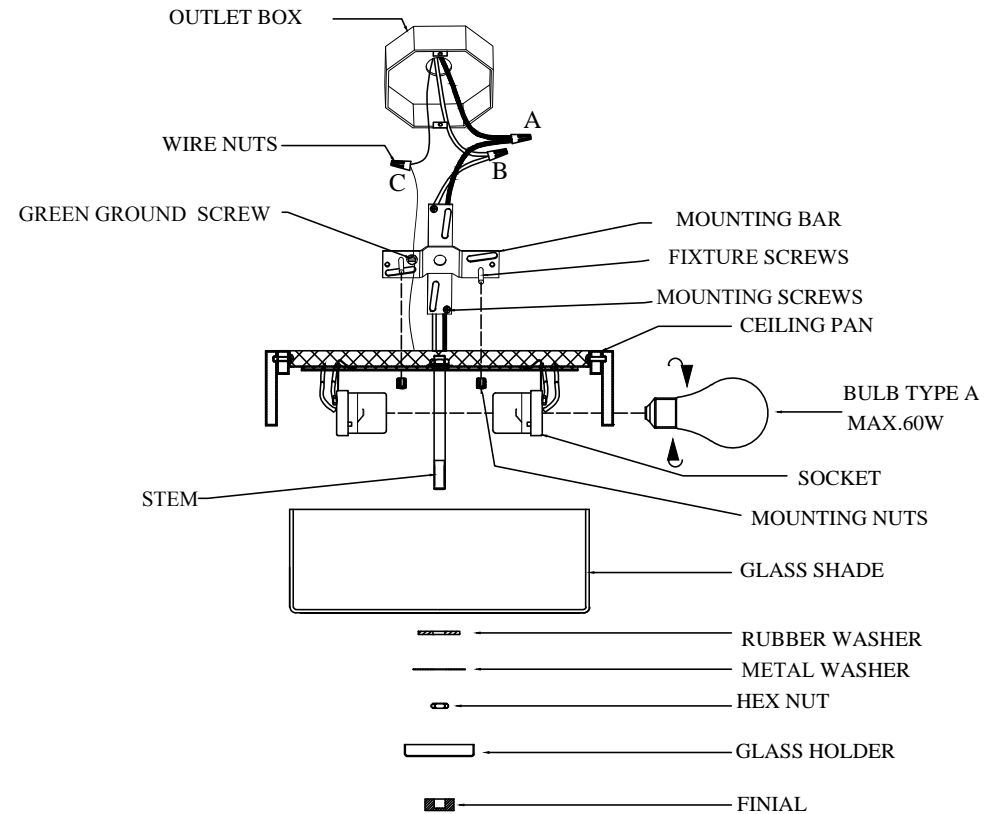
ASSEMBLY AND INSTALLATION

Turn off the power at fuse or circuit breaker.

- 1. Gently take all parts out of the package, lay them on a smooth surface and unscrew the MOUNTING NUTS. Secure MOUNTING BAR to the OUTLET BOX with (2) MOUNTING SCREWS.
2. Make wire connections with WIRE NUTS:
A-Connect the black Fixture wire to the black supply wires.
B-Connect the white Fixture wire to the white supply wires.
C-Attach the fixture ground wire to the CROSS BAR with the GROUND SCREW. Then connect it to the supply GROUND WIRE with a WIRE NUT. Carefully tuck wires back into the OUTLET BOX.
3. Attach the CEILING PAN over the OUTLET BOX and tighten the MOUNTING NUTS on to the FIXTURE SCREWS.
4. Install BULBS with TYPE A MAX. 60W wattage (not included).
5. Place the GLASS SHADE onto the STEM through the center hole, Thread RUBBER WASHER, METAL WASHER, HEX NUT, GLASS HOLDER and FINIAL. Tighten the FINIAL.

Turn on the power at fuse or circuit breaker.

ASSEMBLY AND INSTALLATION (CONT.)



IF IN DOUBT ABOUT ELECTRICAL INSTALLATION, CONSULT A LICENSED ELECTRICIAN.

Customer Service: 1-800-558-8700