

# BH1001 REPLACEMENT PARTS

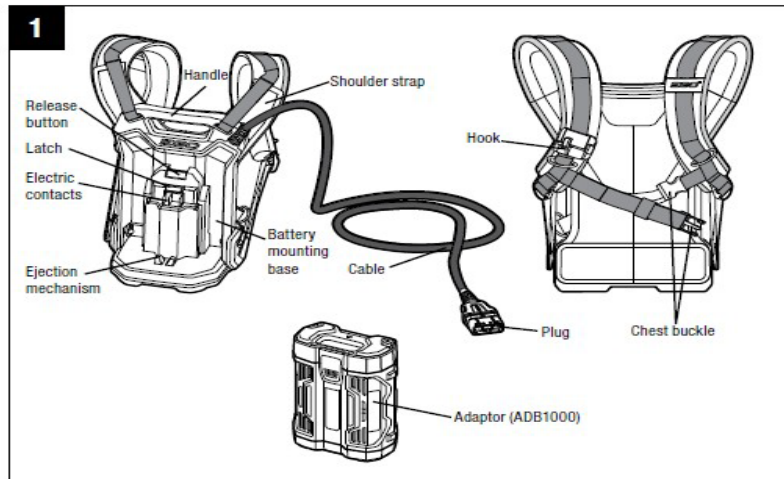
Please contact EGO Customer Service Toll-Free at 1-855-EGO-5656 any time you have questions or warranty claims.



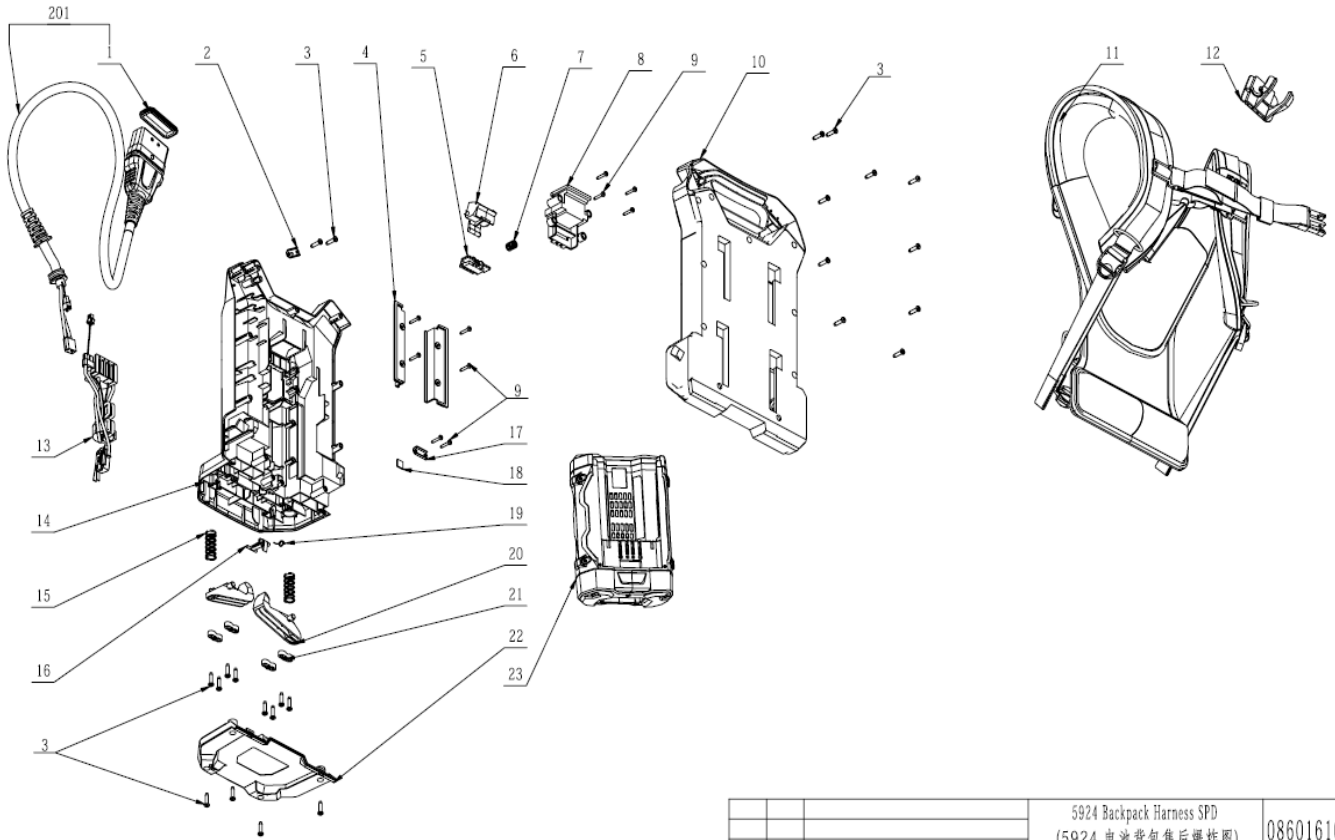
## DESCRIPTION

### KNOW YOUR BACKPACK LINK (Fig. 1)

The safe use of this product requires understanding of the information on the tool and in this operator's manual, as well as knowledge of the project you are attempting. Before use of this product, familiarize yourself with all operating features and safety rules.



| Index No. | Service Part No. | Description          |
|-----------|------------------|----------------------|
| 1         | 5690356002       | Seal Ring            |
| 2         | 3700285001       | Cord Anchorage       |
| 3         | 5610294001       | Tapping Screw        |
| 4         | 3128361001       | Cover                |
| 5         | 3127497001       | Power Pack Button    |
| 6         | 3127498001       | Power Pack Button    |
| 7         | 3660013003       | Spring1              |
| 8         | 3128359001       | Support              |
| 9         | 5610274001       | Tapping Screw        |
| 10        | 3322283001       | Rear Housing         |
| 11        | 2825497001       | Backpack Subassembly |
| 12        | 3129102001       | Pothead              |
| 13        | 2830264001       | Electric Assembly    |
| 14        | 3129073001       | Front Housing        |
| 15        | 3660306002       | Spring               |
| 16        | 3129115001       | Lever                |
| 17        | 3700367001       | Cord Anchorage       |
| 18        | 3706436001       | Sponge Pad           |
| 19        | 3660682001       | Torsion Spring       |
| 20        | 3126773001       | Lever                |
| 21        | 3122798001       | Cord Anchorage       |
| 22        | 3129071001       | Bottom Support       |
| 23        | 2825723001       | Battery Box ASSY     |
| 201       | 4810227001       | Power Cord ASSY      |



|       |      |   |     |                            |            |
|-------|------|---|-----|----------------------------|------------|
|       |      | 5924 Backpack Harness SPD<br>(5924 电池背包售后爆炸图) |     | 0860161001_SPD             |            |
|       |      | Exploded View                                 |     | VERSION                    | A          |
|       |      |   |     | WEIGHT                     | g          |
|       |      |   |     | SCALE                      | IMP DEGREE |
|       |      |   |     | B                          |            |
|       |      | Designed by                                   | 李阳  | SHEET                      | 1/1        |
|       |      | Checked by                                    | 聂方杰 |                            |            |
|       |      | Approved by                                   |     |                            |            |
| RevNo | Zone | Revision note                                 |     | Effective Date : 2017-9-20 |            |

**CHERVON®**