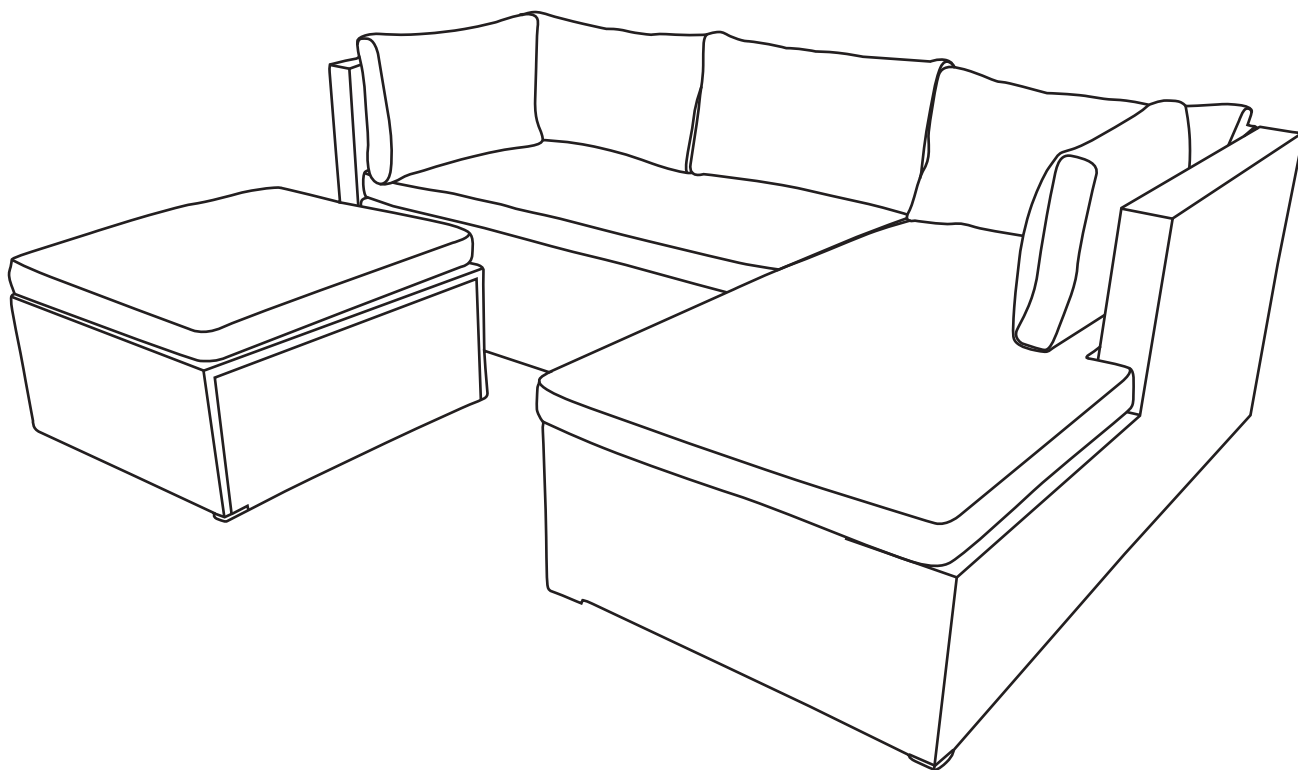




1004044581
Model KVS9454

Redesigned Valley Peak 3Pc

Wicker Sectional with Flat Wicker - Gray



Questions, problems, missing parts? Before returning to the store,
call Hampton Bay Customer Service.
8 a.m. - 7 p.m., EST, Monday - Friday, 9 a.m. - 6 p.m., EST, Saturday

1-855-HD-HAMPTON

HAMPTONBAY.COM

THANK YOU

We appreciate the trust and confidence you have placed in Hampton Bay through the purchase of this [product description]. We strive to continually create quality products designed to enhance your home. Visit us online to see our full line of products available for your home improvement needs. Thank you for choosing Hampton Bay!

Table of Contents

Table of Contents.....	2	Wicker Sectional Sofa Set Assembly.....	5
Safety Information	2	Care and Cleaning.....	14
Product Caution	2		
Safety Warnings	2		
Warranty	2		
What is Covered	2		
What is Not Covered	2		
Pre-Assembly	3		
Planning Assembly	3		
Hardware Included	3		
Wicker Sectional Sofa Set Package Contents.....	4		

Important Safety Instructions


PRODUCT CAUTION


This set was made for the explicit purpose of providing outdoor functions and is not to be used as a toy. This product is intended for normal outdoor use; however, the manufacturer recommends storing and / or covering this set when any formidable / severe weather is approaching. Do not locate this product near open flames. Do not use this product as a support. Do not shake, lean or climb on the product. Children under the age of 10, near the product, should be supervised by a competent adult at all times.

READ ALL INSTRUCTIONS BEFORE USE


To reduce the risk of injury to persons:

1. Close supervision is necessary when this furnishing is used by or near children, or disabled persons, if applicable.
2. Use this furnishing only for its intended use as described in these instructions. Do not use attachments not recommended by the manufacturer.

 **WARNING:** Weight limit for the bench is 500 lb (226.80 kg).
Weight limit for the lounge is 250 lb (113.40 kg).

 **WARNING:** Please keep children out of the assembly area before assembly.

 **WARNING:** Do not place heavy objects on the sofa set.

 **CAUTION:** When not in use, secure the product in a cool and covered location.

Warranty

2 YEAR FRAME AND 2 YEAR FABRIC LIMITED WARRANTY

WHAT IS COVERED

We warrant the frames to be free of manufacturing defects to the original purchaser for two years.

WHAT IS NOT COVERED

It remains the customer's responsibility for freight and packaging charges to and from our service center. This warranty does not cover commercial use, hardware, acts of nature, fire, freezing and abusive use. In addition, purchased parts are not covered under this warranty. We reserve the right to make substitutions with similar merchandise, if the model in question is no longer in production.

Contact the Customer Service Team at 1-855-HD-HAMPTON or visit www.homedepot.com

Pre-Assembly

PLANNING ASSEMBLY

Read all instructions before assembly.

To avoid damaging this product, assemble it on a soft, non-abrasive surface such as carpet or cardboard.

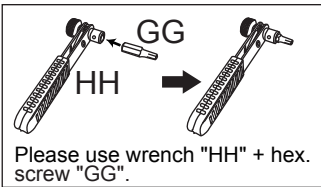
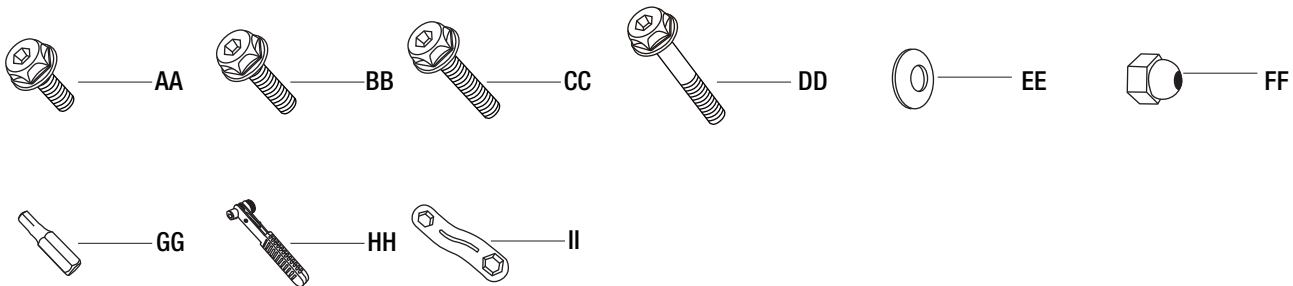


NOTE: More than one person may be required to assemble this product.

HARDWARE INCLUDED



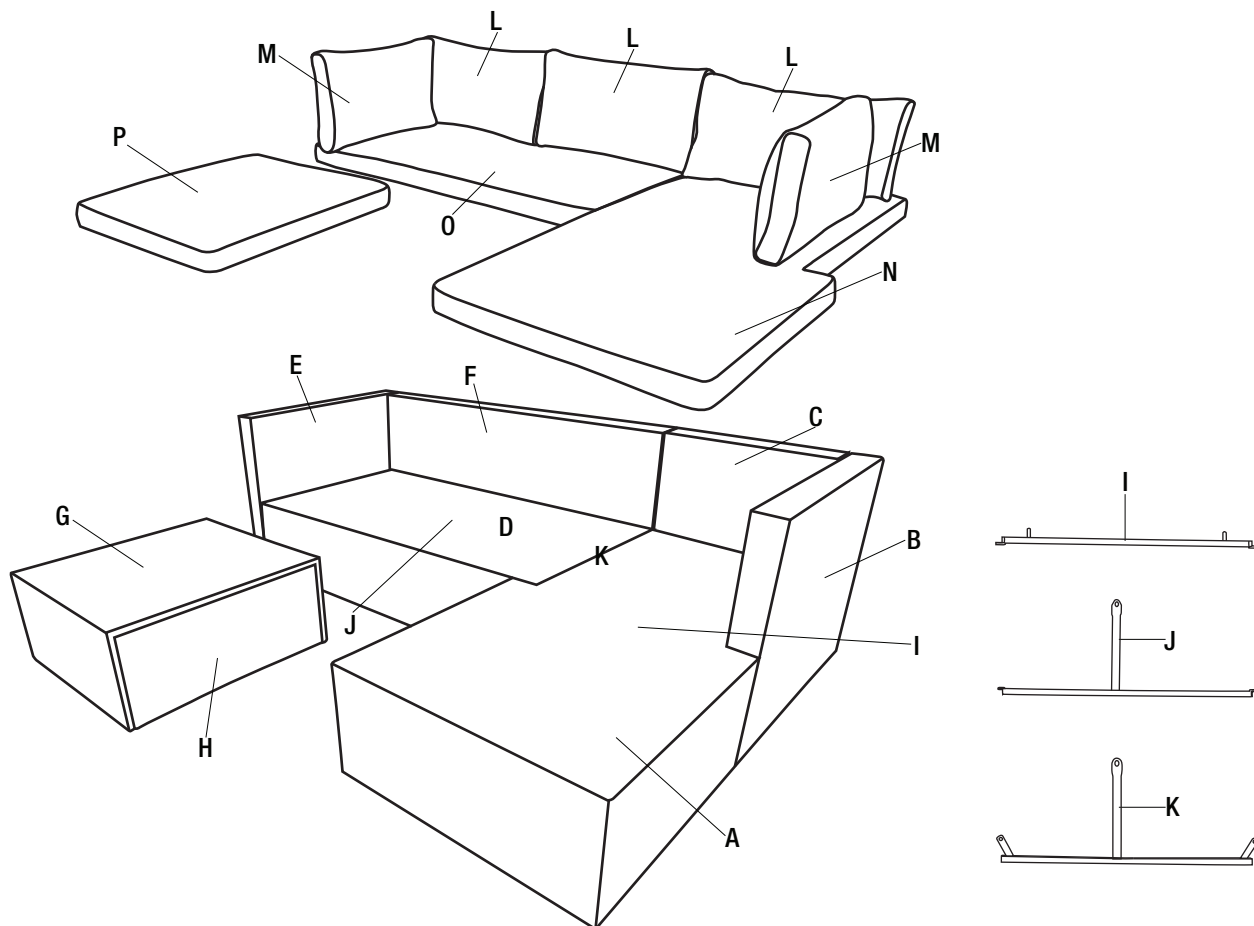
NOTE: Hardware not shown to actual size.



Part	Description	Quantity
AA	M6x15 Bolt	2+1
BB	M6x30 Bolt	11+1
CC	M6x35 Bolt	2+1
DD	M6x50 Bolt	19+1
EE	d6.5xD13x1.0 Washer	24+2
FF	M6xP1.0 Plastic nut	24+2
GG	4 mm Hex. Screw	1
HH	Wrench	1
II	10 & 13mm Key wrench	1

Pre-Assembly (continued)

VALLEY PEAK WICKER SECTIONAL 2018 PACKAGE CONTENTS



Part	Description	Quantity
A	Seat assembly A	1
B	Left arm A	1
C	Back assembly A	1
D	Seat assembly B	1
E	Right arm B	1
F	Back assembly B	1
G	Leg A	1
H	Leg B	2
I	Support A	1
J	Support B	1
K	Support C	1
L	Back cushion	3
M	Arm cushion	2
N	Left seat cushion	1
O	Right seat cushion	1
P	Ottoman cushion	1

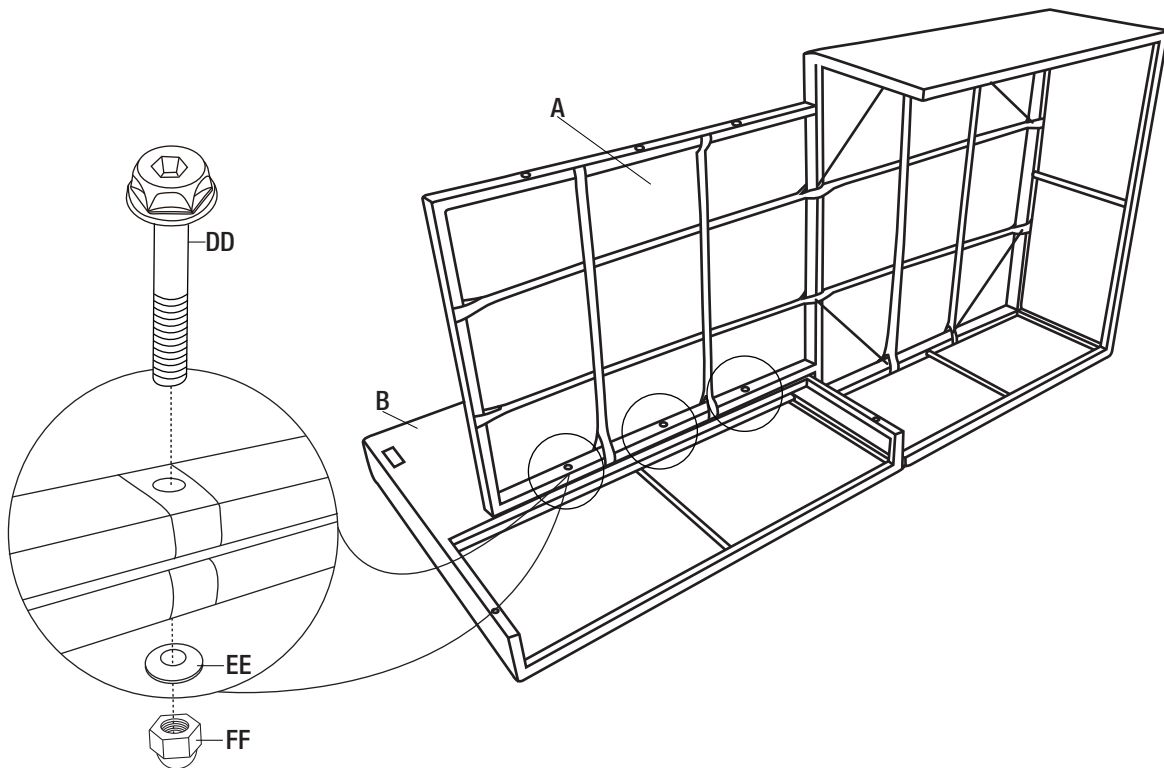
Valley Peak Wicker Sectional 2018 Assembly

1 Connecting the seat assembly A to the left arm A

- Place the left arm A (B) onto a non-abrasive surface, such as a carpet, with its underside facing upwards.
- Fasten the seat assembly A (A) to the left arm A (B) by using M6x50 bolts (DD), d6.5xD13x1.0 washers (EE), and M6xP1.0 plastic nuts (FF).



NOTE: Loosely tighten all the bolts using the hex wrenches (GG and HH).



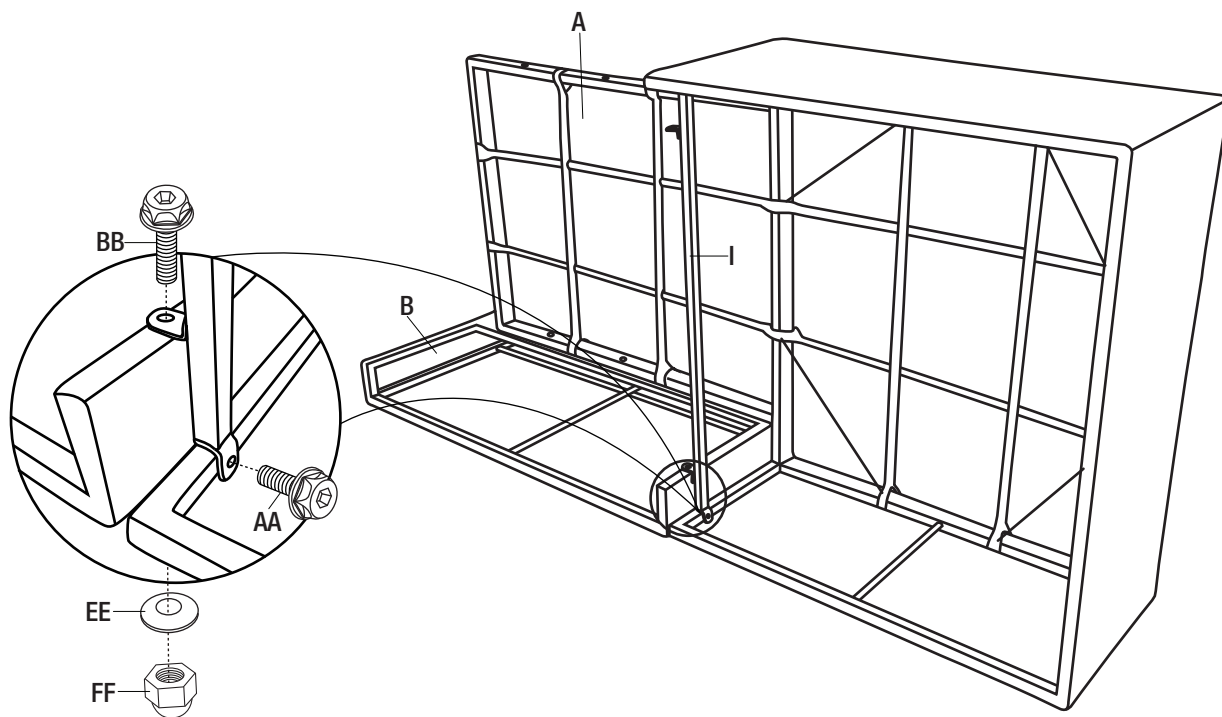
Valley Peak Wicker Sectional 2018 Assembly (continued)

2 Connecting the support A to the seat assembly A and left arm A

- Fasten the support A (I) to the seat assembly A (A) by using a M6x16 bolt (AA) and d6.5xD13x1.0 washers (EE).
- Fasten the support A (I) to the left arm A (B) by using a M6x30 bolt (BB), d6.5xD13x1.0 washer (EE), and M6xP1.0 plastic nut (FF).



NOTE: Loosely tighten all the bolts using the hex wrenches (GG and HH).



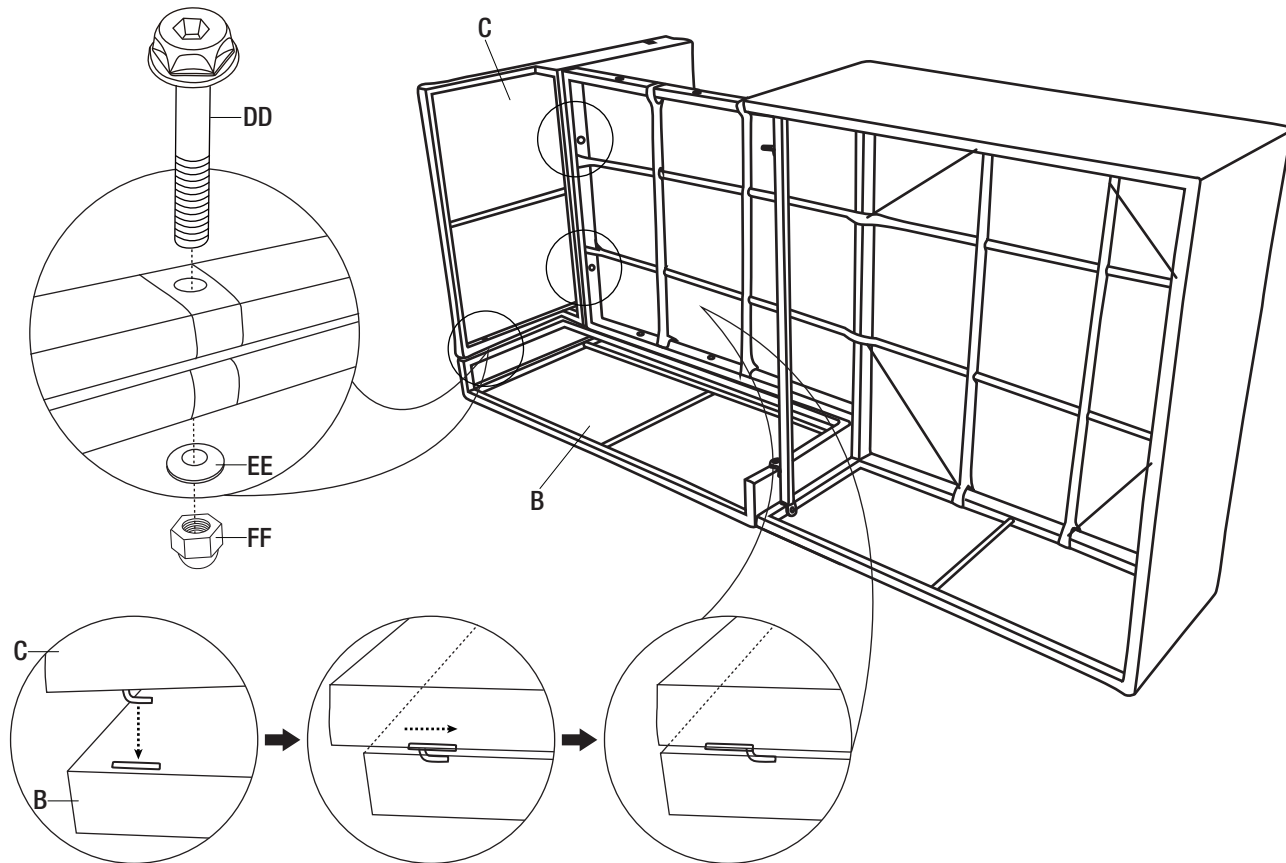
Valley Peak Wicker Sectional 2018 Assembly (continued)

3 Connecting the back assembly A (C) to the left arm A (B)

- Insert the back assembly A (C) into the left arm A (B).
- Fasten the back assembly A (C) to the left arm A (B) by using M6x50 bolts (DD), d6.5xD13x1.0 washers (EE), and M6xP1.0 plastic nuts (FF).



NOTE: Loosely tighten all the bolts using the hex wrenches (GG and HH).



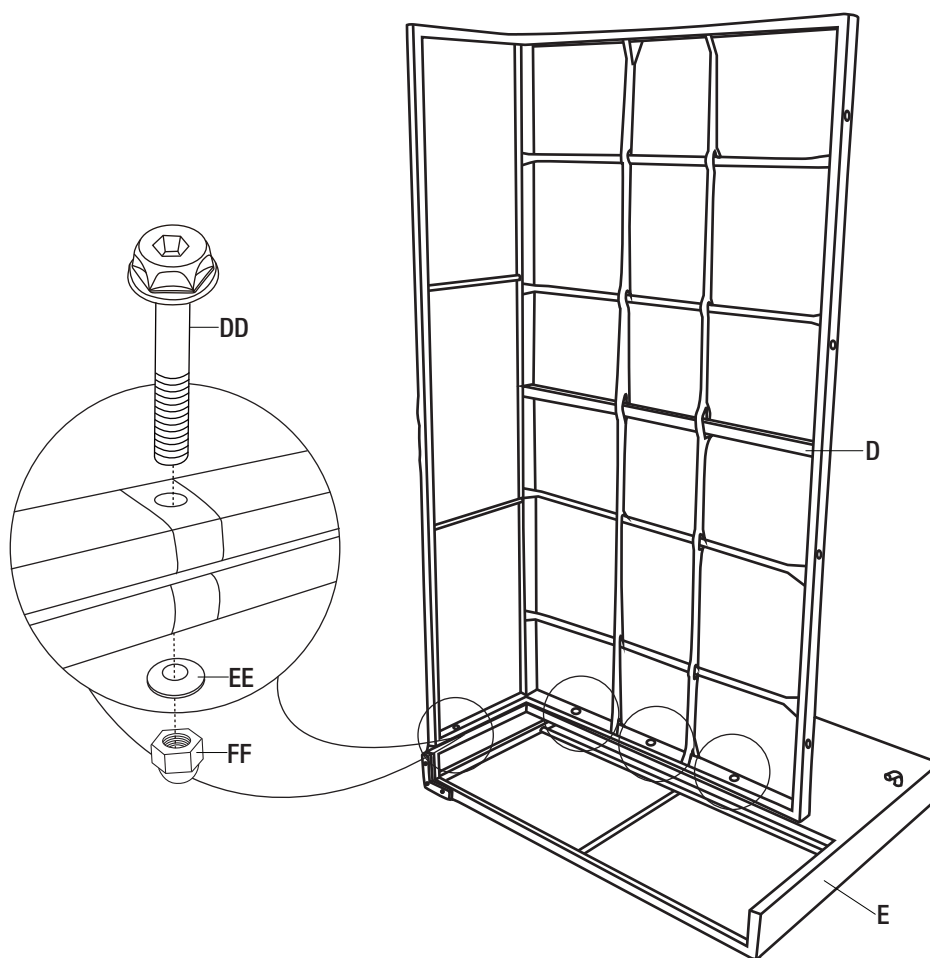
Valley Peak Wicker Sectional 2018 Assembly (continued)

4 Connecting the seat assembly B to the right arm B

- Place the right arm B (E) onto a non-abrasive surface, such as a carpet, with its underside facing upwards.
- Fasten the seat assembly B (D) to the right arm B (E) by using M6x50 bolts (DD), d6.5xD13x1.0 washers (EE), and M6xP1.0 plastic nuts (FF).



NOTE: Loosely tighten all the bolts using the hex wrenches (GG and HH).



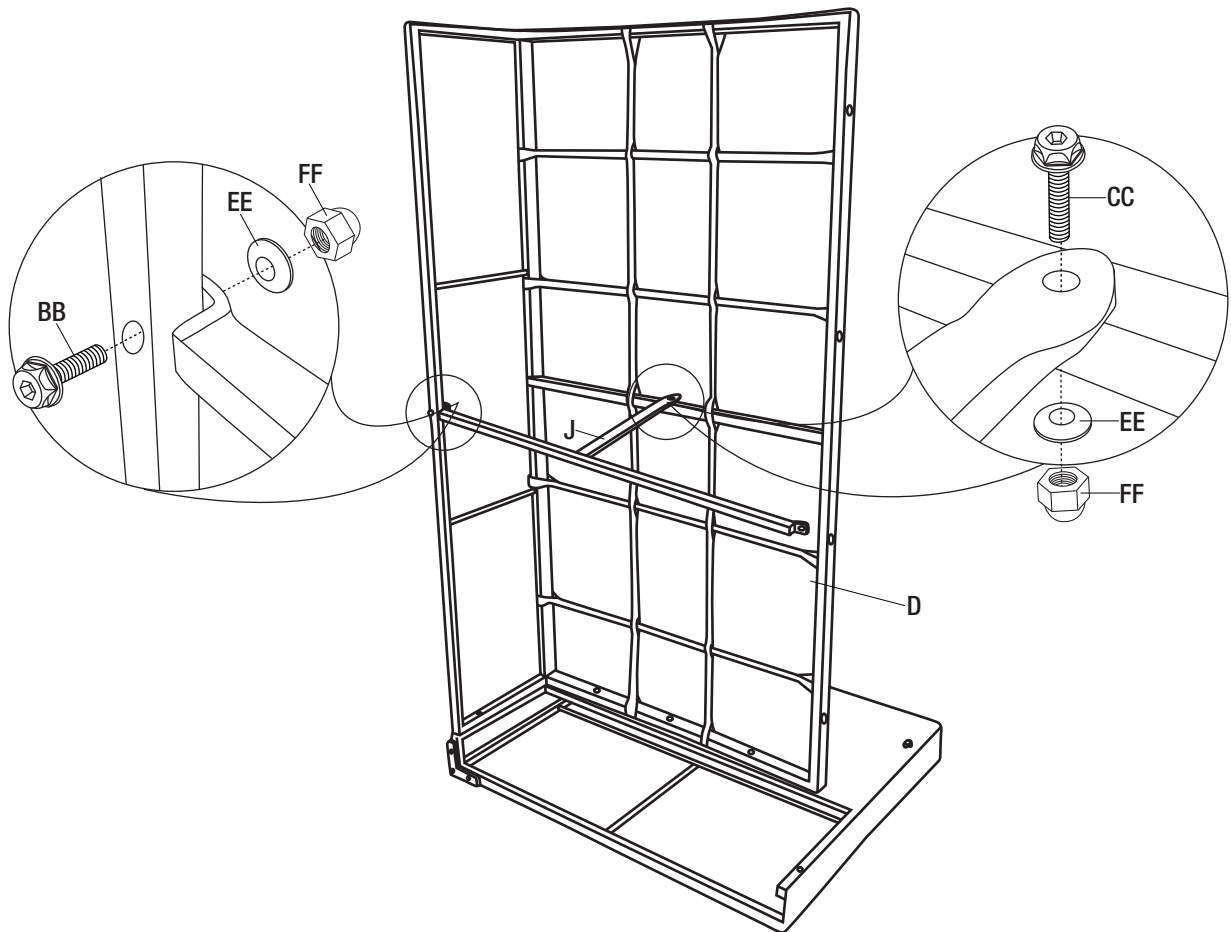
Valley Peak Wicker Sectional 2018 Assembly (continued)

5 Connecting the support B to the seat assembly B

- Fasten the support B (J) to the seat assembly B (D) by using M6x30 & M6x35 bolts (BB and CC), d6.5xD13x1.0 washers (EE), and M6xP1.0 plastic nuts (FF).



NOTE: Loosely tighten all the bolts using the hex wrenches (GG and HH).



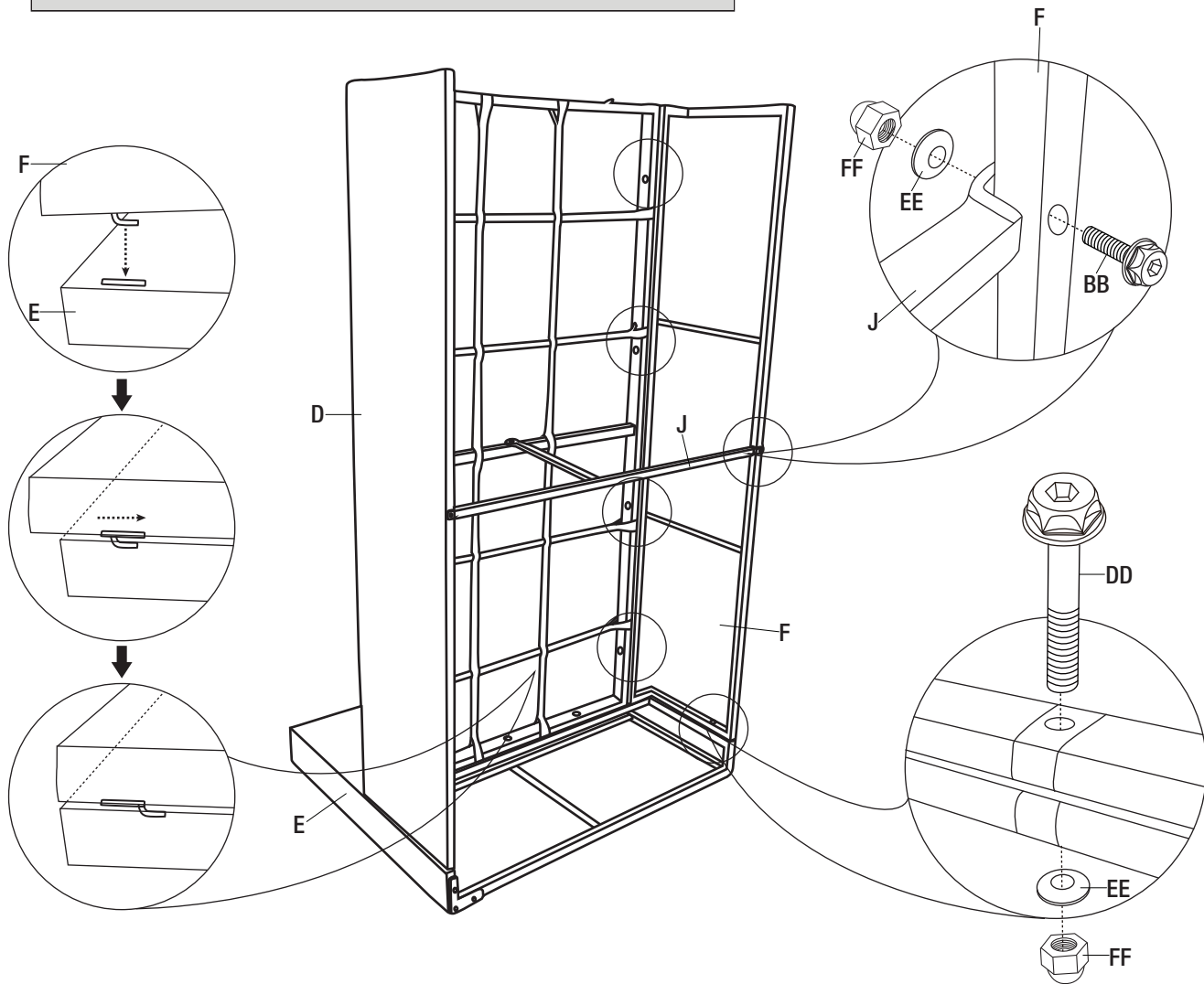
Valley Peak Wicker Sectional 2018 Assembly (continued)

6 Connecting the back assembly B to the support B, seat assembly B, and right arm B

- Insert the back assembly B (F) into the right arm B (E).
- Fasten the back assembly B (F) to the support B (J) by using M6x30 bolts (BB), d6.5xD13x1.0 washers (EE), and M6xP1.0 plastic nuts (FF).
- Fasten the back assembly B (F) to the seat assembly B (D) and the right arm B (E) by using M6x50 bolts (DD), d6.5xD13x1.0 washers (EE), and M6xP1.0 plastic nuts (FF).



NOTE: Loosely tighten all the bolts using the hex wrenches (GG and HH).



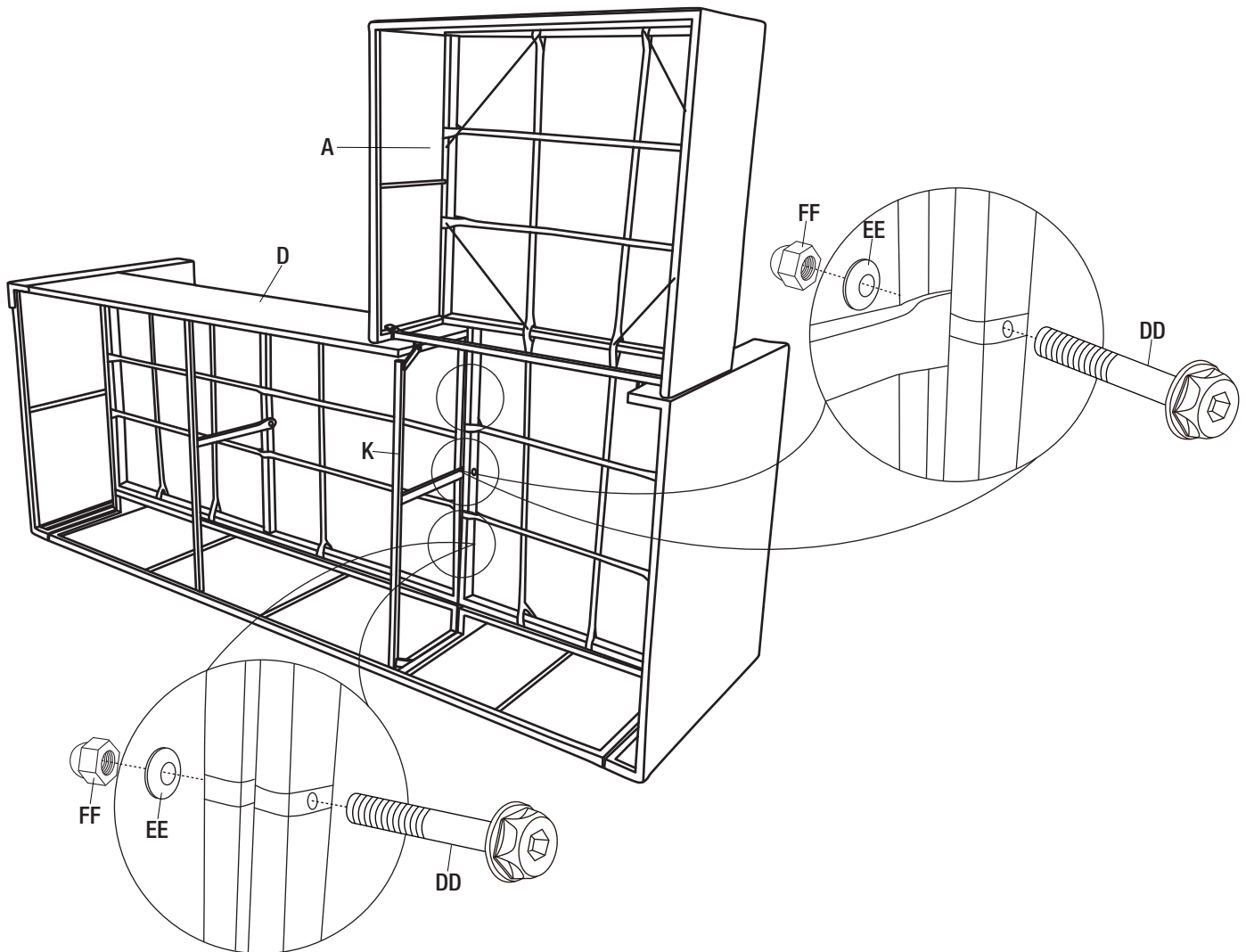
Valley Peak Wicker Sectional 2018 Assembly (continued)

7 Connecting the support C to the seat assembly B and seat assembly A

- Fasten the support C (K) to the seat assembly B (D) and the seat assembly A (A) by using M6x50 bolts (DD), d6.5xD13x1.0 washers (EE), and M6xP1.0 plastic nuts (FF).



NOTE: Loosely tighten all the bolts using the hex wrenches (GG and HH).



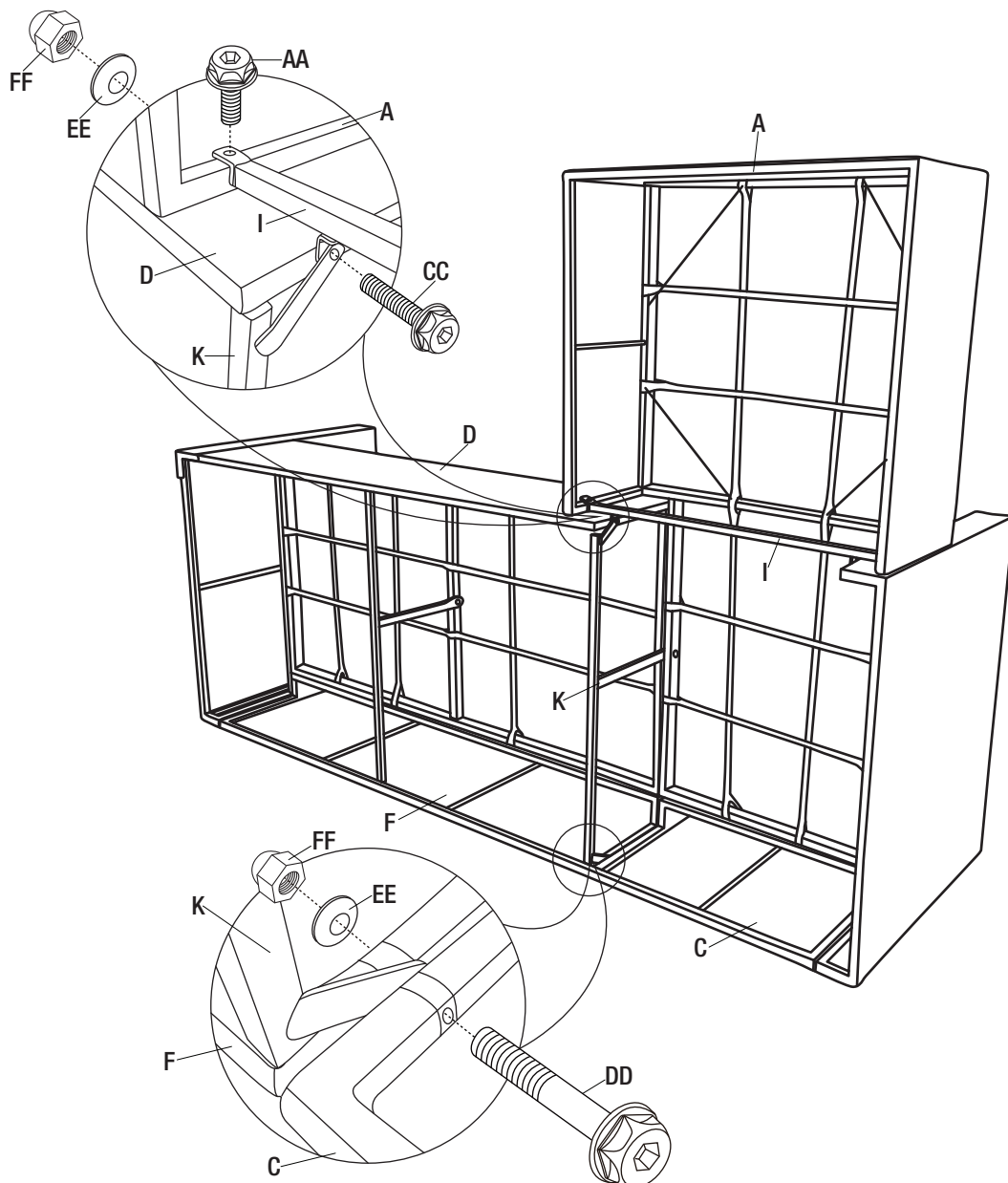
Valley Peak Wicker Sectional 2018 Assembly (continued)

8 Connecting the supports to the seat assembly A & B and back assembly A & B

- Fasten supports (I and K) to the seat assembly A (A), the seat assembly B (D), the back assembly A (C), and the back assembly B (F) by using M6x35 & M6x50 bolts (CC and DD), d6.5xD13x1.0 washers (EE), and M6xP1.0 plastic nuts (FF).
- Fasten the support A (I) to the seat assembly A (A) by using a M6x16 bolt (AA) and d6.5xD13x1.0 washers (EE).



NOTE: Loosely tighten all the bolts using the hex wrenches (GG and HH).



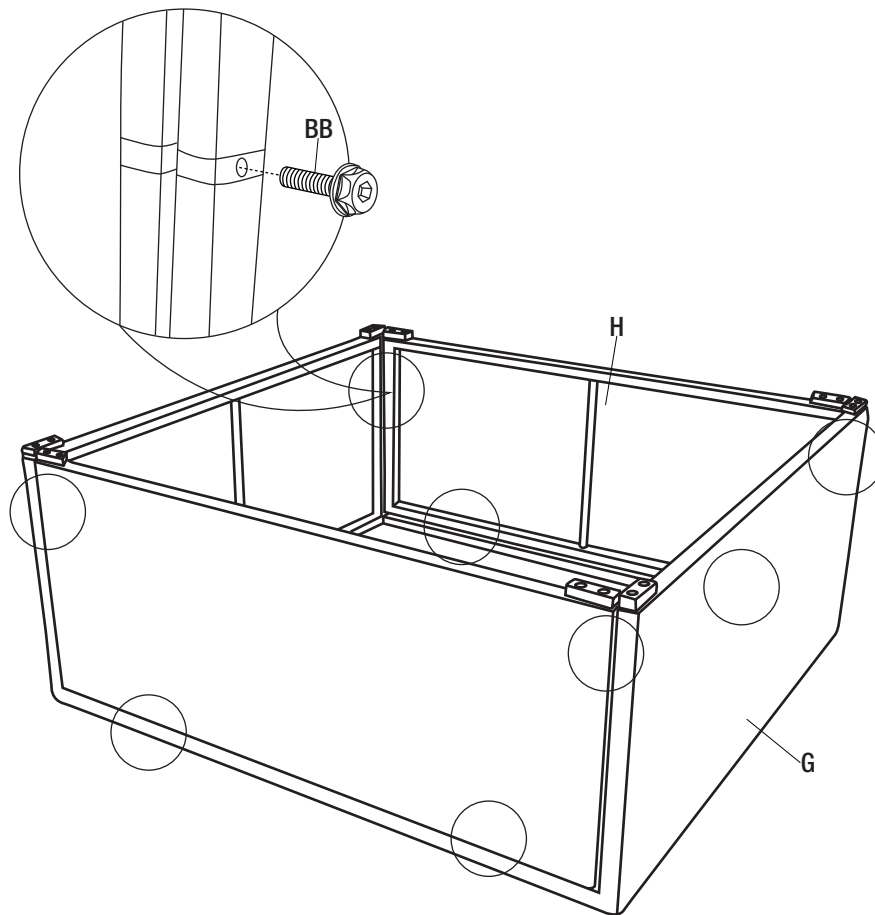
Valley Peak Wicker Sectional 2018 Assembly (continued)

9 Connecting the leg A to the legs B

- Fasten the leg A (G) to legs B (H) by using M6x30 bolts (BB) and d6.5xD13x1.0 washers (EE).



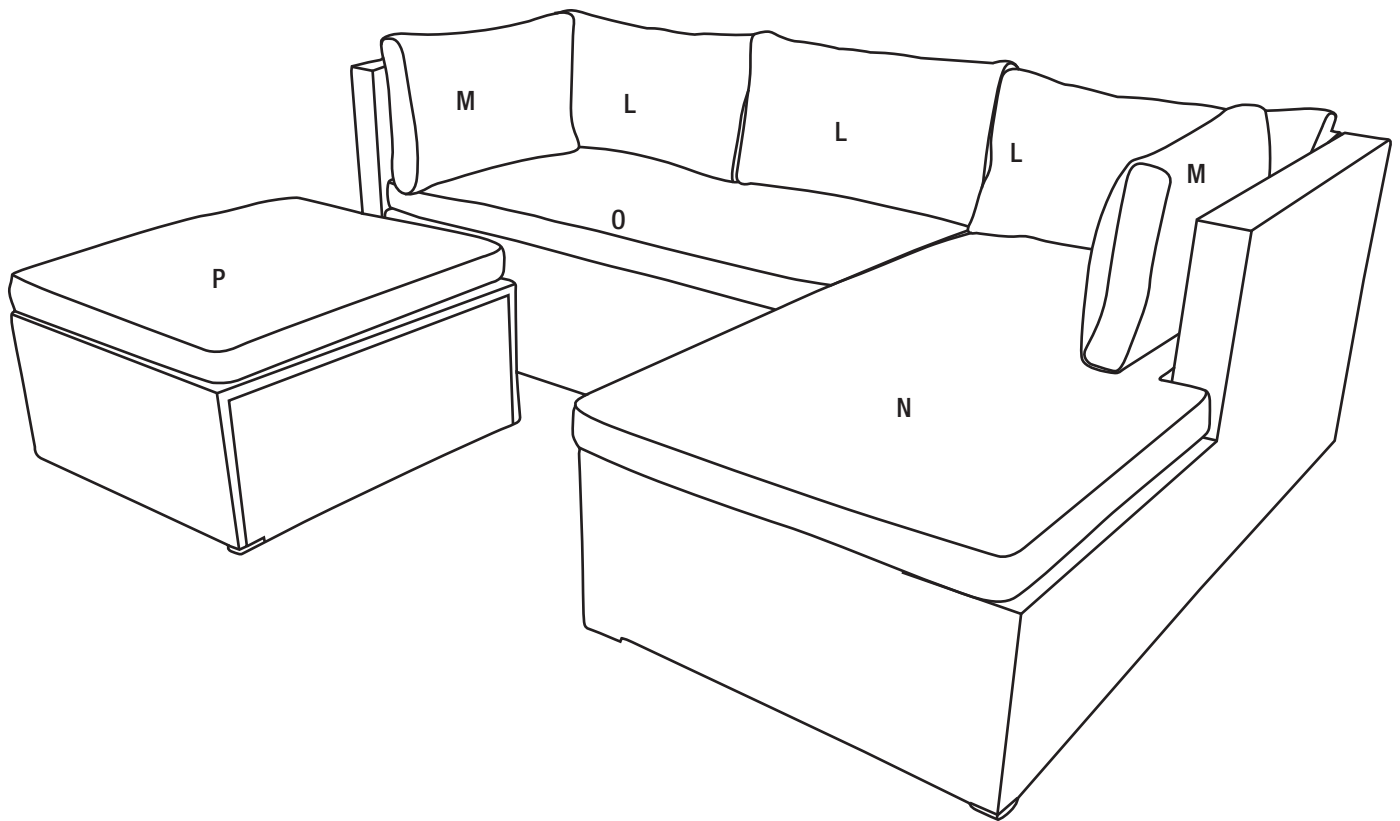
NOTE: Loosely tighten all the bolts using the hex wrench (GG).



Valley Peak Wicker Sectional 2018 Assembly (continued)

10 Tightening the bolts

- Tighten all bolts that were previously loosely tightened.
- Turn the sectional to its upright position. Position all of the sections together as illustrated, to complete your set.
- Place cushions (L, M, N, O, and P) onto the frame.



Care and Cleaning

- For best results, clean the set with a damp cloth and dry thoroughly. This will help prevent mildew by removing dirt particles that may accumulate.
- Do not clean with abrasive materials, bleach, or solvents.
- Store the set in a dry, sheltered place when not in use.
- Keep the set away from fire, extreme heat, freezing conditions, and inclement weather such as rain, hail, sleet, snow, or wind.



Questions, problems, missing parts? Before returning to the store,
call Hampton Bay Customer Service.
8 a.m. - 7 p.m., EST, Monday - Friday, 9 a.m. - 6 p.m., EST, Saturday

1-855-HD-HAMPTON

HAMPTONBAY.COM

Retain this manual for future use.