

### Features

- Acrylic
- 8 color-matched jets
- Integral apron with removable access panel
- 1.25 hp pump with air switch and grounding-type plug-in cord
- Integral tile flange
- In-line heater
- Left or right drain
- Slotted overflow for maximum bathing depth
- Low threshold height
- Integral lumbar support
- Armrests
- 72" (182.9 cm) x 36" (91.4 cm) x 19" (48.3 cm)

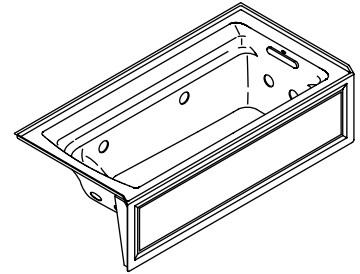
### Codes/Standards Applicable

Specified model meets or exceeds the following:

- ANSI Z124.1.2
- IAPMO/UPC
- Underwriters Laboratories (UL)
- ASME A112.19.7M
- Listed in State of Massachusetts

### 6' (1.8 m) BATH WHIRLPOOL WITH HEATER

## K-1124-HL ALSO K-1124-HR



### Colors/Finishes

- 0: White
- Other: Refer to Price Book for additional colors/finishes

### Accessories

- 0: White
- CP: Polished Chrome
- Other: Refer to Price Book for additional colors/finishes

### Specified Model

Model	Description	Colors/Finishes	
K-1124-HL	Bath whirlpool with heater and integral apron, left drain	<input type="checkbox"/> 0	<input type="checkbox"/> Other_____
K-1124-HR	Bath whirlpool with heater and integral apron, right drain	<input type="checkbox"/> 0	<input type="checkbox"/> Other_____
<b>Required Accessories</b>			
K-7272	Bath drain – above or through-the-floor installation	<input type="checkbox"/> CP	<input type="checkbox"/> Other_____
<b>Optional Accessories</b>			
K-9529	Removable bath seat	<input type="checkbox"/> 0	

### Product Specification

The acrylic bath whirlpool shall be 72" (182.9 cm) in length, 36" (91.4 cm) in width, and 19" (48.3 cm) in height. Product shall feature 8 color-matched jets and armrests. Product shall feature an 1.25 hp pump with air switch and grounding-type cord. Product shall have an in-line heater. Product shall feature an integral apron with removable access panel, and integral tile flange. Product shall be available with left or right drain. Product shall feature a slotted overflow, low threshold height, and integral lumbar support. Bath whirlpool shall be Kohler Model K-1124-\_\_\_\_\_-\_\_\_\_\_.

# ARCHER™

## Technical Information

Fixture*:				
Bathing well				
Basin area bottom	51-3/8" (130.5 cm) x 21" (53.3 cm)			
Basin area top	64-1/2" (163.8 cm) x 30-1/2" (77.5 cm)			
Weight	140 lbs (63.5 kg)			
To overflow				
Water depth	15" (38.1 cm)			
Capacity	72 gal (273 L)			
* Approximate measurements for comparison only.				
Pump:	Hp	V	Hz	A
1-speed	1.25	120	60	7
Heater:	kW	V	Hz	A
	1.5	120	60	12.5
Pump is supplied with 24" (61 cm) grounding-type plug-in cord.				

## Required Electrical Service (2 required)

Two dedicated circuits required, each protected with Class A Ground-Fault Circuit-Interrupter (GFCI):	
Pump/control	120 V, 15 A, 60 Hz
Heater	120 V, 15 A, 60 Hz

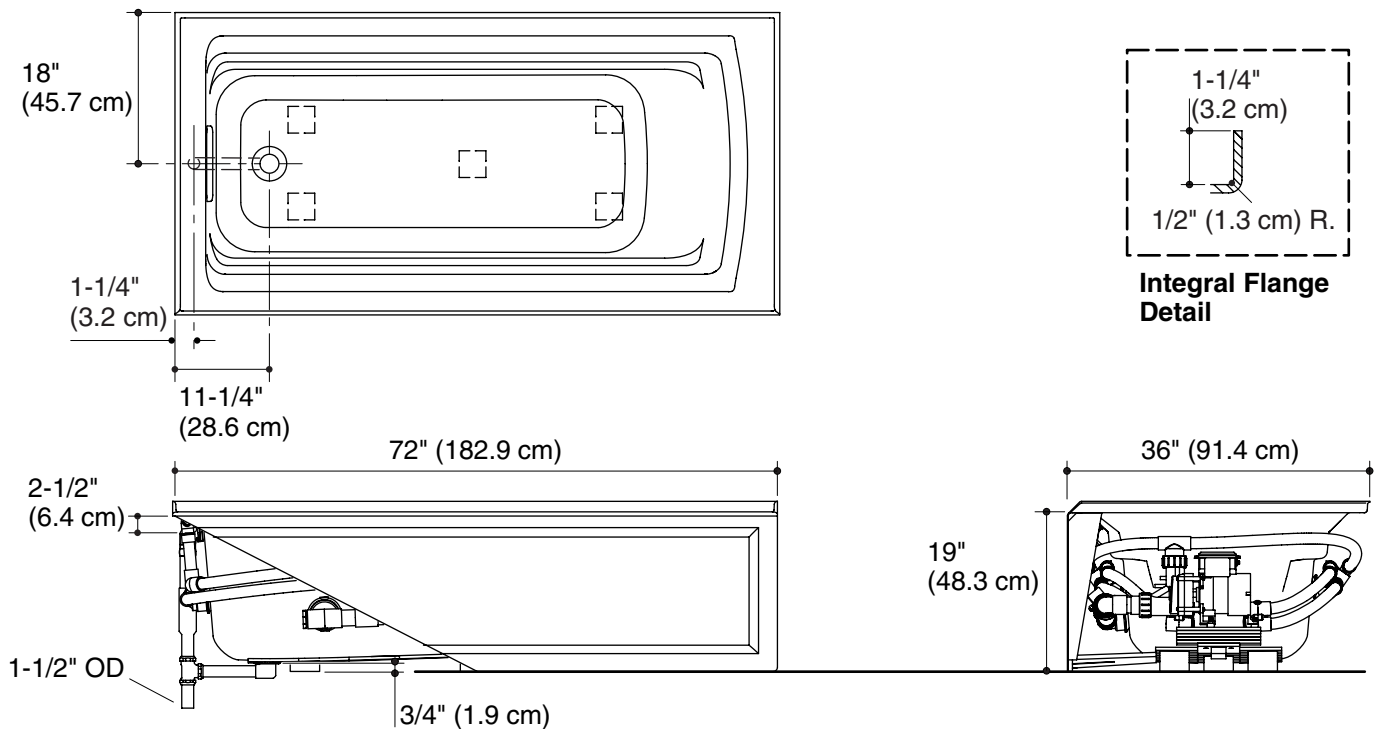
## Installation Notes

Install this product according to the installation guide.

Floor support under this product must provide for a minimum of 43 lbs/square foot (210 kg/square meter) loading.

The hot water supply should be 70% of the capacity of the bath or greater. Installations will vary.

No change in measurements if connected with drain illustrated. (K-7272)



## Product Diagram