

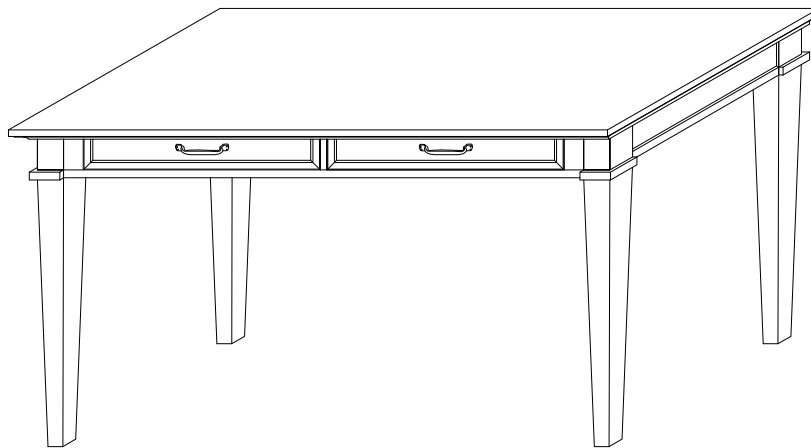
HOME DECORATORS COLLECTION

BF-25262 MARTIN DESK 30.5Hx54Wx22D"

INV#1002953836/1002953926

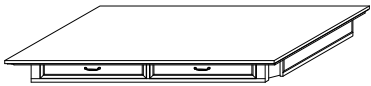


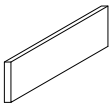
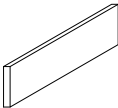

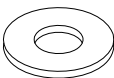

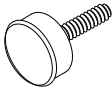
ASSEMBLY INSTRUCTIONS

Made In China

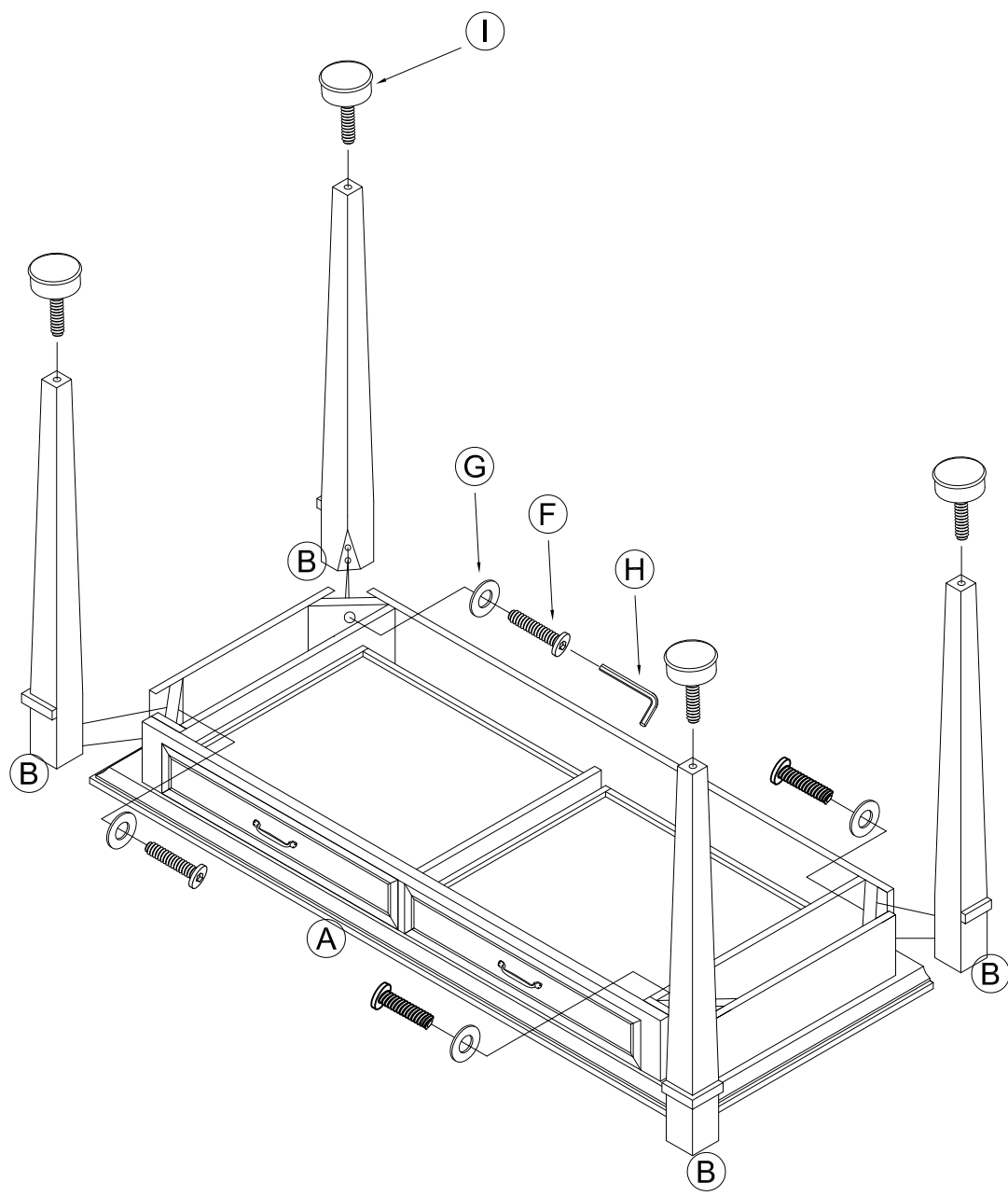


Thank you for purchasing this quality product. Be sure to check all packing material carefully for small parts, which may have come loose inside the carton during shipment. Count all parts and material hardware, then compare with parts list to be sure all parts are present. If any parts are missing or damaged, phone, fax, or mail to our Customer Service Department for efficient and speedy service. Please indicate the model number and code letter of part(s) needed.

IMPORTANT NOTE: Follow instructions listed below in proper sequence as numbered to assure fast, easy and correct assembly.

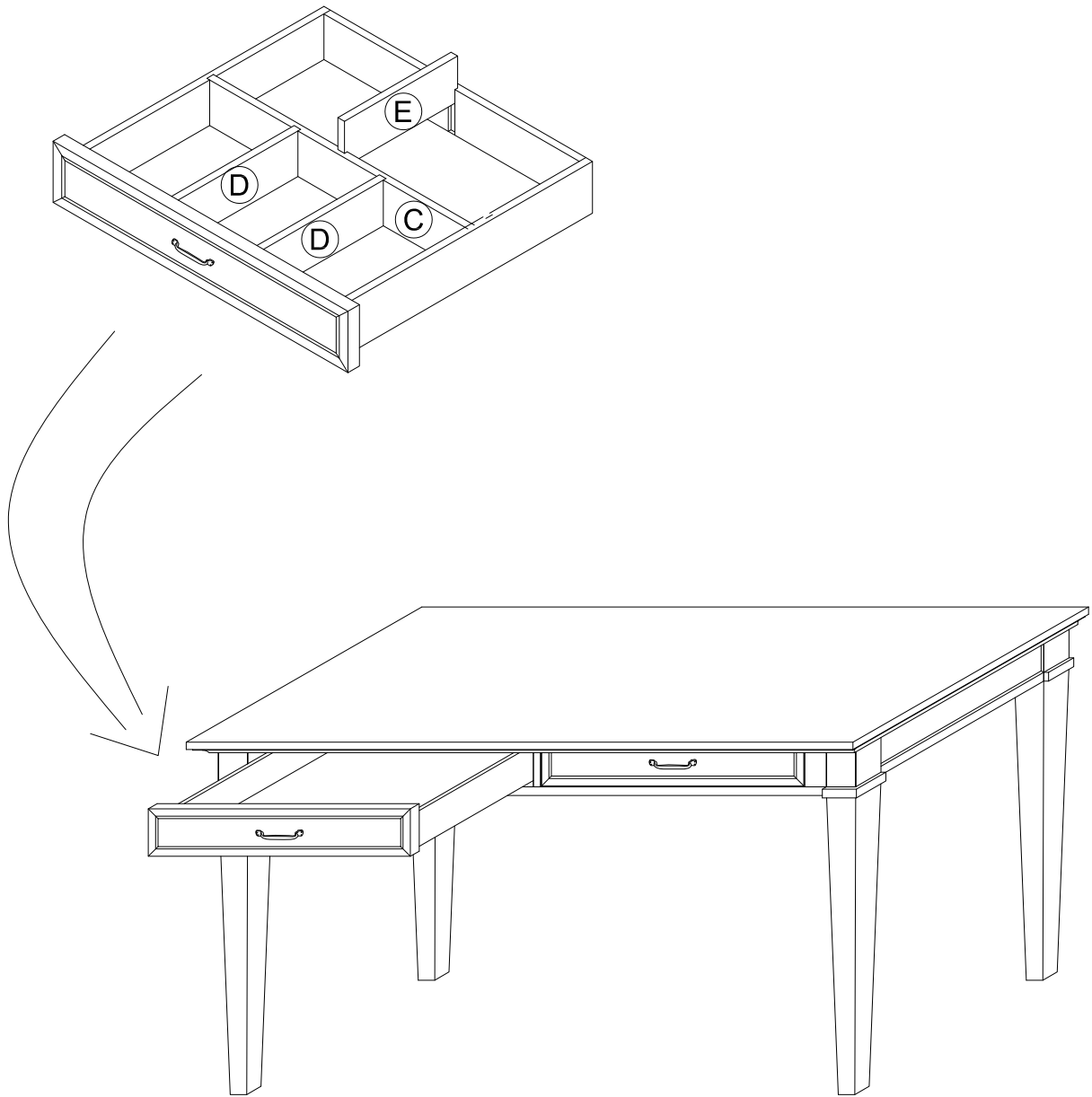
PARTS LIST		
A  TOP FRAME-1PC	B  FEET-4PCS	C  DRAWER ACROSS PANELS-2PCS
D  DRAWER SHORT PANELS-4PCS	E  DRAWER LONG PANELS-2PCS	F 1 3mm × 2 "  BOLTS-8PCS
G  WASHERS-8PCS	H  ALLEN WRENCH-1PC	I  ADJUSTABLE FEET-4PCS

NOTE: THE SURFACE WITH THE STICKER IS THE BACK SIDE.



1). ASSEMBLE THE FEET(B/I).

- ATTACH THE FEET(B) TO TOP FRAME(A) USING 8 BOLTS(F) AND 8 WASHERS(G).
- ROTATE 4 ADJUSTABLE FEET(I) INTO THE HOLES IN THE FEET(B).



2). ASSEMBLE THE PANEL(C/D/E).

- INSERT PANEL(C/D/E) INTO THE SLOTS IN THE DRAWERS.

"IMPORTANT HEALTH NOTICE.

SOME OF THE BUILDING MATERIALS USED IN THIS HOME (OR THESE BUILDING MATERIALS) EMIT FORMALDEHYDE. EYE, NOSE, AND THROAT IRRITATION, HEADACHE, NAUSEA AND A VARIETY OF ASTHMA-LIKE SYMPTOMS, INCLUDING SHORTNESS OF BREATH, HAVE BEEN REPORTED AS A RESULT OF FORMALDEHYDE EXPOSURE. ELDERLY PERSONS AND YOUNG CHILDREN, AS WELL AS ANYONE WITH A HISTORY OF ASTHMA, ALLERGIES, OR LUNG PROBLEMS, MAY BE AT GREATER RISK. RESEARCH IS CONTINUING ON THE POSSIBLE LONG-TERM EFFECTS OF EXPOSURE TO FORMALDEHYDE.

REDUCED VENTILATION MAY ALLOW FORMALDEHYDE AND OTHER CONTAMINANTS TO ACCUMULATE IN THE INDOOR AIR. HIGH INDOOR TEMPERATURES AND HUMIDITY RAISE FORMALDEHYDE LEVELS. WHEN A HOME IS TO BE LOCATED IN AREAS SUBJECT TO EXTREME SUMMER TEMPERATURES, AN AIR-CONDITIONING SYSTEM CAN BE USED TO CONTROL INDOOR TEMPERATURE LEVELS. OTHER MEANS OF CONTROLLED MECHANICAL VENTILATION CAN BE USED TO REDUCE LEVELS OF FORMALDEHYDE AND OTHER INDOOR AIR CONTAMINANTS.

IF YOU HAVE ANY QUESTIONS REGARDING THE HEALTH EFFECTS OF FORMALDEHYDE, CONSULT YOUR DOCTOR OR LOCAL HEALTH DEPARTMENT. "