

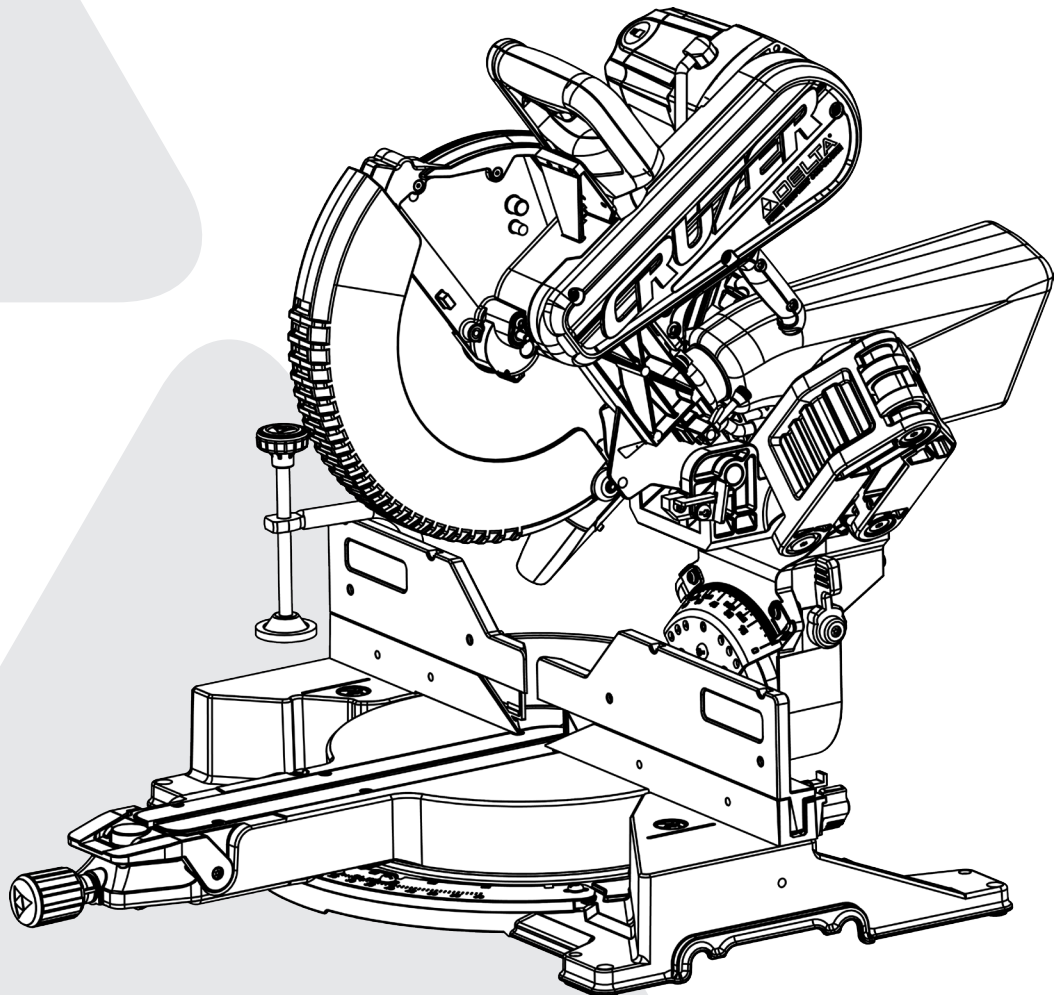


POWER EQUIPMENT CORPORATION

## 12-inch Sliding Compound Miter Saw

Scie à onglets composée coulissante 12 pouces

Sierra de inglete compuesta deslizante de 12 pulgadas



Français (25)

Español (49)

[www.DeltaMachinery.com](http://www.DeltaMachinery.com)

### Instruction Manual

Manual d'utilisation

Manual de instrucciones

**26-2250**

**⚠ WARNING:** To reduce the risk of serious injury, thoroughly read and comply with all warnings and instructions in this manual and on product  
**KEEP THIS MANUAL NEAR YOUR PRODUCT FOR EASY REFERENCE AND TO INSTRUCT OTHERS**



# TABLE OF CONTENTS

<b>Important Safety Instructions</b> .....	2	Non-Sliding Cuts .....	15
<b>Safety Logos</b> .....	2	For Miter Cuts .....	15
<b>General Power Tool Safety Rules</b> .....	3	For Bevel Cuts .....	16
<b>Proposition 65 Warning</b> .....	4	For Compound Miter Cuts .....	16
<b>Miter Saw Safety Rules</b> .....	4	Slide Cuts .....	17
<b>Power Connections</b> .....	5	Tips For Cutting Crown Molding .....	17
Double Insulation .....	5	Auxiliary Fence .....	18
Electrical Connection .....	6	Increase Cut Capacity .....	19
Polarized Plugs .....	6	<b>Adjustments</b> .....	20
Extension Cords .....	6	Align The Blade To Table .....	20
<b>Features</b> .....	6	Align The Blade To Fence .....	20
Product Specifications .....	6	Depth Stop .....	21
Know Your Compound Miter Saw .....	8	Fence Extension .....	21
<b>Unpacking</b> .....	8	Slide Resistance .....	22
Removing Contents From Packing .....	8	Throat Plate .....	22
Packaged Contents List .....	9	<b>Maintenance</b> .....	23
<b>Mounting And Transportation</b> .....	9	Keep Machine Clean .....	23
Preparations For Transportation .....	9	General Maintenance .....	23
Mounting Saw To Stable Surface .....	10	Brush Replacement .....	23
<b>Assembly</b> .....	10	Lubrication .....	23
Tools Needed .....	10	<b>Trouble Shooting</b> .....	23
Work Clamp .....	10	Failure To Start .....	23
Dust Bag .....	11	<b>Accessories</b> .....	24
Install/Remove/Replace The Blade .....	12	<b>Parts, Services Or Warranty Assistance</b> .....	24
<b>Operation</b> .....	13	Replacement Parts .....	24
Cutting Warped Material .....	13	Free warning Label Replacement .....	24
Clamping Wide Workpieces .....	14	Service and Repairs .....	24
Supporting Long Workpieces .....	14	<b>French</b> .....	25
Power Switch Lock .....	14	<b>Spanish</b> .....	49

**NOTE:** The manual cover illustrates the current production model. All other illustrations contained in the manual are representative only and may not be exact depictions of the actual labeling or accessories included. They are intended for illustrative purposes only.

## IMPORTANT SAFETY INSTRUCTIONS

**⚠ WARNING:** CAREFULLY READ AND FOLLOW ALL WARNINGS AND INSTRUCTIONS ON YOUR PRODUCT AND IN THIS MANUAL. SAVE THIS MANUAL. MAKE SURE ALL USERS ARE FAMILIAR WITH ITS WARNINGS AND INSTRUCTIONS WHEN USING THE TOOL. Improper operation, maintenance or modification of tools or equipment could result in serious injury and/or property damage.



## SAFETY LOGOS

This manual contains information that is important for you to know and understand. This information relates to protecting YOUR SAFETY and PREVENTING EQUIPMENT PROBLEMS. To help you recognize this information, we use the symbols below. Please read the manual and pay attention to these sections.

**⚠ DANGER:** Indicates an imminently hazardous situation which, if not avoided, will result in death or serious injury.

**⚠ WARNING:** Indicates a potentially hazardous situation which, if not avoided, could result in death or serious injury.

**⚠ CAUTION:** Indicates a potentially hazardous situation which, if not avoided, may result in minor or moderate injury.

**CAUTION:** Used without the safety alert symbol indicates potentially hazardous situation which, if not avoided, may result in property damage.

Additional information regarding the safe and proper operation of this tool is available from the following sources:

- Power Tool Institute, 1300 Sumner Avenue, Cleveland, OH 44115-2851 or on-line at [www.powertoolinstitute.com](http://www.powertoolinstitute.com)
- National Safety Council, 1121 Spring Lake Drive, Itasca, IL 60143-3201
- American National Standards Institute, 25 West 43rd Street, 4 floor, New York, NY 10036 [www.ansi.org](http://www.ansi.org) - ANSI 01.1 Safety Requirements for Woodworking Machines
- U.S. Department of Labor regulations [www.osha.gov](http://www.osha.gov)

# GENERAL POWER TOOL SAFETY RULES

**⚠ WARNING:** Read all safety warnings, instructions, illustrations and specifications provided with this power tool. Failure to follow all instructions listed below may result in electric shock, fire and/or serious injury.


Save all warnings and instructions for future reference.

The term "power tool" in the warnings refers to your mains-operated (corded) power tool or BATTERY-operated (cordless) power tool.

## 1. Work area safety

- a. **Keep work area clean and well lit.** Cluttered or dark areas invite accidents
- b. **Do not operate power tools in explosive atmospheres, such as in the presence of flammable liquids, gases or dust.** Power tools create sparks which may ignite the dust or fumes.
- c. **Keep children and bystanders away while operating a power tool.** Distractions can cause you to lose control.

## 2. Electrical safety

- a. **Power tool plugs must match the outlet. Never modify the plug in any way. Do not use any adapter with earthed (grounded) power tools.** Unmodified plugs and matching outlets will reduce risk of electric shock
- b. **Avoid body contact with earthed or grounded surfaces, such as pipes, radiators, ranges and refrigerators.** There is an increased risk of electric shock if your body is earthed or grounded.
-  c. **Do not expose power tools to rain or wet conditions.** Water entering a power tool will increase the risk of electric shock.
- d. **Do not abuse the cord. Never use the cord for carrying, pulling or unplugging the power tool. Keep cord away from heat oil, sharp edges or moving parts.** Damaged or entangled cords increase the risk of electric shock.
- e. **When operating a power tool outdoors, use an extension cord suitable for outdoor use.** Use of a cord suitable for outdoor use reduces the risk of electric shock.
- f. **If operating a power tool in a damp location is unavoidable, use a ground fault circuit interrupter (GFCI) protected supply.** Use of an GFCI reduces the risk of electric shock.

## 3. Personal safety

- a. **Stay alert, watch what you are doing and use common sense when operating a power tool. Do not use a power tool while you are tired or under the influence of drugs, alcohol or medication.** A moment of inattention while operating power tools may result in serious personal injury.
- b. **Use personal protective equipment. Always wear eye protection.** Protective equipment such as dust mask, non-skid safety shoes, hard hat, or hearing protection used for appropriate conditions will reduce personal injuries.
- c. **Prevent unintentional starting. Ensure the switch is in the off-position before connection to power source, picking up, or carrying the tool.** Carrying power tools with your finger on the switch or energising power tools that have the switch on invites accidents.
- d. **Remove any adjusting key or wrench before turning the power tool on.** A wrench or a key left attached to a rotating part of the power tool may result in personal injury.
- e. **Do not overreach. Keep proper footing and balance at all times.** This enables better control of the power tool in unexpected situations
- f. **Dress properly. Do not wear loose clothing or jewelry. Keep your hair, clothing and gloves away from moving parts.** Loose clothes, jewelry or long hair can be caught in moving parts.
- g. **If devices are provided for the connection of dust extraction and collection facilities, ensure these are connected and properly used.** Use of dust collection can reduce dust-related hazards.
- h. **Do not let familiarity gained from frequent use of tools allow you to become complacent and ignore tool safety principles.** A careless action can cause severe injury within a fraction of a second.
- i. **Never stand on tool.** Serious injury could occur if the tool is tipped or if the cutting tool is unintentionally contacted.

## 4. Power tool use and care

- a. **Do not force the power tool. Use the correct power tool for you application.** The correct power tool will do the job better and safer at the rate for which it was designed.
- b. **Do not use the power tool if the switch does not turn it on and off.** Any power tool that cannot be controlled with the switch is dangerous and must be repaired.
- c. **Disconnect the plug from the power source before making any adjustments, changing accessories, or storing power tool.** Such preventive safety measures reduce the risk of starting the power tool accidentally.
- d. **Store idle power tools out of the reach of children and do not allow persons unfamiliar with the power tool or these instructions to operate the power tool.** Power tools are dangerous in the hands of untrained users.
- e. **Maintain power tools and accessories. Check for misalignment or binding of moving parts, breakage of parts and any other condition that may affect the power tool's operation. If damaged, have the power tool repaired before use.** Many accidents are caused by poorly maintained power tools.

- f. **Keep cutting tools sharp and clean.** Properly maintained cutting tools with sharp cutting edges are less likely to bind and are easier to control.
- g. **Use the power tool, accessories and tools bits etc. In accordance with these instructions, taking into account the working conditions and the work to be performed.** Use of the power tool for operations different from those intended could result in a hazardous situation.
- h. **Keep Handels and grasping surfaces dry, clean and free from oil and grease.** Slippery handles and grasping surfaces do not allow for safe handling and control of the tool in unexpected situations.

## 5. Service

- a. **Have your power tool serviced by a qualified repair person using only identical replacement parts.** This will ensure that the safety of the power tool is maintained.

# PROPOSITION 65 WARNING:

**▲ WARNING:** Some dust created by power sanding, sawing, grinding, drilling, and other construction activities contains chemicals known to the state of California to cause cancer, birth defects or other reproductive harm. Some examples of these chemicals are:

- Lead from lead-based paints
- Crystalline silica from bricks and cement and other masonry products
- Arsenic and chromium from chemically-treated lumber

Your risk from these exposures varies, depending on how often you do this type of work. To reduce your exposure to these chemicals: work in a well-ventilated area and work with approved safety equipment, such as dust masks that are specifically designed to filter out microscopic particles.

# MITER SAW SAFETY RULES

## 1. Safety instructions for miter saws

- a. **Miter saw are intended to cut wood or wood-like products, they cannot be used with abrasive cut-off wheels for cutting ferrous material such as bars, rods, studs, etc.** Abrasive dust causes moving parts such as the lower guard to jam. Sparks from abrasive cutting will burn the lower guard, the kerf insert and other plastic parts.
- b. **Use clamps to support the workpiece whenever possible. If supporting the workplace by hand, you must always keep your hand at least 100mm from either side of the saw blade. Do not use this saw to cut pieces that are too small to be securely clamped or held by hand.** If your hand is placed too close to the saw blade, there is an increased risk of injury from blade contact.
- c. **The workplace must be stationary and clamped or held against both the fence and the table. Do not feed the workplace into the blade or cut "freehand" in any way.** Unrestrained or moving workplace could be thrown at high speeds, causing injury.
- d. **Push the saw through the workpiece. Do not pull the saw through the workpiece. to make a cut, raise the saw head and pull it out over the workpiece without cutting, start the motor, press the saw head down and push the saw through the workpiece.** Cutting on the pull stroke is likely to cause the saw blade to climb on top of the workpiece and violently throw the blade assembly towards the operator.
- e. **Never cross your hand over the intended line of cutting either in front or behind the saw blade.** Supporting the workpiece "cross handed" i.e. holding the workpiece to the right of the saw blade with your left hand or vice versa is very dangerous.
- f. **Do not reach behind the fence with either hand closer than 100mm from either side of the saw blade, to remove wood scraps, or for any other reason while the blade is spinning.** The proximity of the spinning saw blade to your hand may not be obvious and you may be seriously injured.
- g. **Inspect your workpiece before cutting. If the workpiece is bowed or warped, clamp it with the outside bowed face toward the fence. Always make certain that there is no gap between the workpiece, fence and table along the line of the cut.** Bent or warped workpieces can twist or shift and may cause binding on the spinning saw blade while cutting. There should be no nails or foreign objects in the workpiece.
- h. **Do not use the saw until the table is clear of all tools, wood scraps, etc., except for the workpiece.** Small debris or loose pieces of wood or other objects that contact the revolving blade can be thrown with high speed.
- i. **Cut only one workpiece at a time.** Stacked multiple workpieces cannot be adequately clamped or braced and may bind on the blade or shift during cutting.
- j. **Ensure the miter saw is mounted or placed on a level, firm work surface before use.** A level and firm work surface reduces the risk of the miter saw becoming unstable.



# MITER SAW SAFETY RULES

- k. **Plan your work. Every time you change the bevel or miter angle setting, make sure the adjustable fence is set correctly to support the workpiece and will not interface with the blade or the guarding system.** Without turning the tool "ON" and with no workpiece on the table, move the saw blade through a complete simulated cut to assure there will be no interference or danger of cutting the fence.
- l. **Provide adequate support such as table extensions, saw horses, etc. for a workpiece that is wider or longer than the table top.** Workpieces longer or wider than the miter saw table can if not securely supported. If the cut-off piece or workpiece tips, it can lift the lower guard or be thrown by the spinning blade.
- m. **Do not use another person as a substitute for a table extension or as additional support.** Unstable support for the workpiece can cause the blade to bind or the workpiece to shift during the cutting operation pulling you and the helper into the spinning blade.
- n. **The cut-off piece must not be jammed or pressed by any means against the spinning saw blade.** If confined, i.e. using length stops, the cut-off piece could get wedged the blade and thrown violently.
- o. **Always use a clamp or a fixture designed to properly support round material such as rods or tubing.** Rods have a tendency to roll while being cut, causing the blade to "bite" and pull the work with your hand into the blade.
- p. **Let the blade reach full speed before contacting the workpiece.** This will reduce the risk of the workpiece being thrown
- q. **If the workpiece or blade becomes jammed, turn the miter saw off. Wait for all moving parts to stop and disconnect the plug from the power source and/or remove the battery pack. Then work to free the jammed material.** Continued sawing with a jammed workpiece could cause loss of control or damage to the miter saw.
- r. **After finishing the cut, release switch, hold the saw down and wait for the blade to stop before removing the cut-off piece.** Reaching with your hand near the coasting blade is dangerous.
- s. **Hold the handle, firmly when making an incomplete cut or when releasing the switch before the saw head is completely in the position.** The breaking action of the saw may cause the saw to be suddenly pulled downward, causing a risk of injury.
- t. **Saw Head lock pin is for storage and transport only.** This saw should never be locked in the down position while making cuts.
- u. **Do not** operate saw without guards in place.

## SAVE THESE INSTRUCTIONS.

Refer to them often and use them to instruct others.

If tool is loaned to someone, also loan them these instructions.

# POWER CONNECTIONS

A separate electrical circuit should be used for your machines. This circuit should not be less than #12 wire. Before connecting the machine to the power line make sure the switch(s) is in the "OFF" position and be sure that the electric current is of the same characteristics as indicated on the machine. All line connections should make good contact. Running on low voltage will damage the machine.

**⚠ DANGER:** DO NOT EXPOSE THE MACHINE TO RAIN OR OPERATE THE MACHINE IN DAMP LOCATIONS.

Your machine is wired for 120 volts, 60 HZ alternating current. Before connecting the machine to the power source, make sure the switch is in the "OFF" position.

## DOUBLE INSULATION

This machine is double insulated. Double insulation is a concept in safety in electric power tools, which eliminates the need for the usual three-wire grounded power cord. All exposed metal parts are isolated from the internal metal motor components with protecting insulation. Double insulated tools do not need to be grounded.

**⚠ WARNING:** The double insulated system is designed to protect the user from shock resulting from a break in the tool's internal insulation. However, it is important to observe normal safety precautions to avoid electrical shock

**NOTE:** Servicing of a tool with double insulation requires extreme care and knowledge of the system and should be performed by a qualified service technician. For service, we suggest you return the tool to the nearest authorized service center for repair. Always use identical replacement parts when servicing.

# POWER CONNECTIONS

## ELECTRICAL CONNECTION

This tool has a precision-built electric motor. It should be connected to a POWER SUPPLY THAT IS 120 VOLTS, 60 HZ, AC ONLY (NORMAL HOUSEHOLD CURRENT). Do not operate this tool on direct current (DC). A substantial voltage drop will cause a loss of power and the motor will overheat. If the tool does not operate when plugged into an outlet, double-check the power supply.

## POLARIZED PLUGS

To reduce the risk of electric shock, this equipment has a polarized plug (one blade is wider than the other). This plug will fit in a polarized outlet only one way. If the plug does not fully fit in the outlet reverse the plug. If it still does not fit, contact a qualified electrician to install the proper outlet. Do not change the plug in any way.

## EXTENSION CORDS

When using a power tool at a considerable distance from a power source, be sure to use an extension cord that has the capacity to handle the current the tool will draw. An undersized cord will cause a drop in line voltage, resulting in overheating and loss of power. Use the chart to determine the minimum wire size required in an extension cord. Only round jacketed cords listed by Underwriter's Laboratories (UL) should be used.

**NOTE:** Before using any extension cord, inspect it for loose or exposed wires and cut or worn insulation.

**⚠ WARNING:** Keep the extension cord clear of the work area. Position the cord so that it will not get caught on lumber, tools or other obstructions while you are working with a power tool. Failure to do so can result in serious personal injury. Check extension cords before each use. If damaged replace immediately. Never use tool with a damaged cord, since touching the damaged area could cause electrical shock resulting in serious injury.

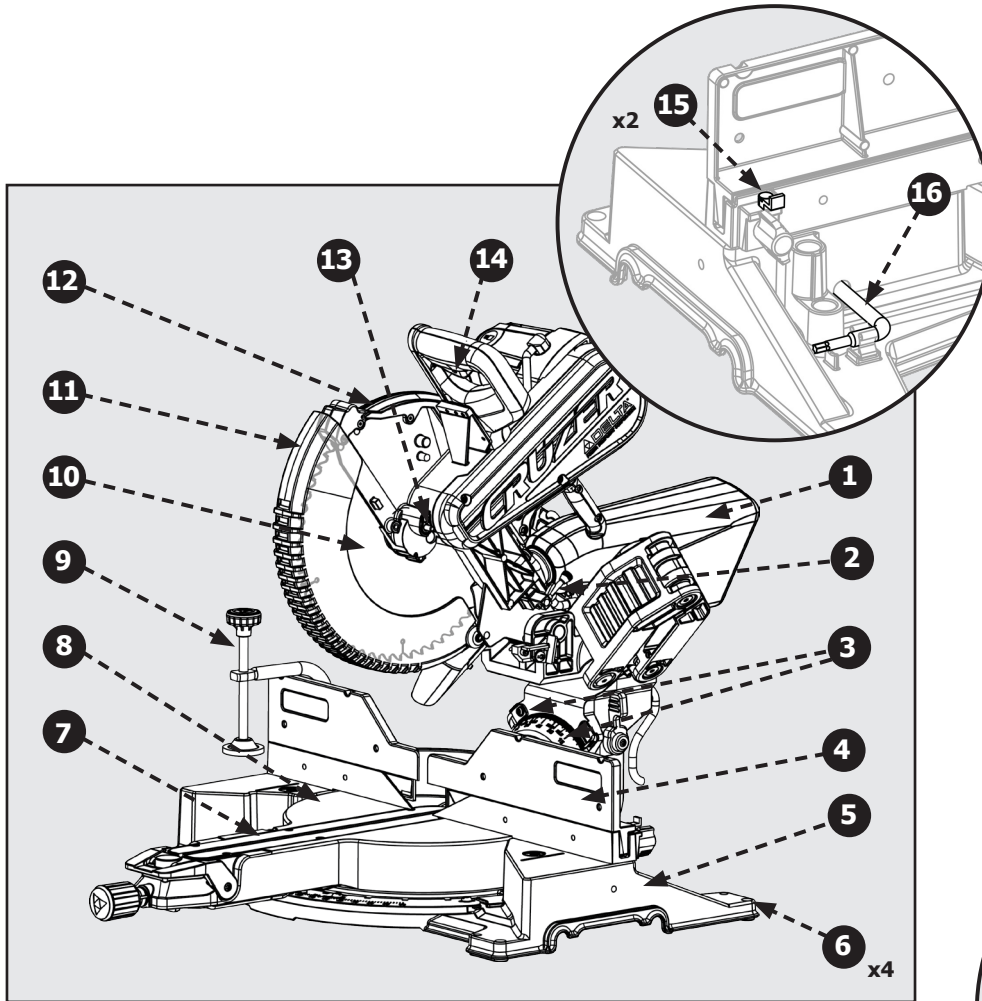
** Ampere rating (on total data label)	
12A- 16A	
Cord Length	Wire Size
25'	14 AWG
50'	12 AWG
** Used on 12 gauge - 20 amp circuit	
NOTE: AWG = American Wire Gauge	

# FEATURES

## PRODUCT SPECIFICATIONS

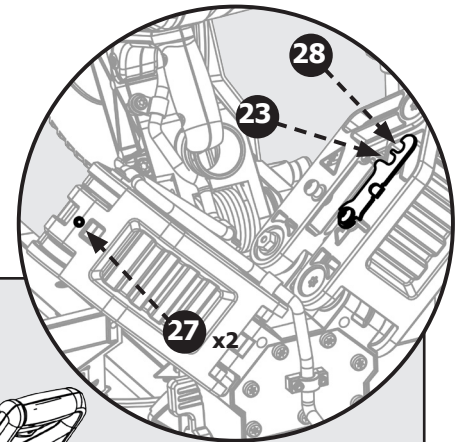
Cutting Capacity (Maximum nominal lumber sizes)	0° Miter/0° Bevel: 4" x 14" (2 x18") Extended Capacity 45° Miter/ 0° Bevel: 4" x 10" 0° Miter/45° Bevel: 2" x 14" 45° Miter/45° Bevel: 2" x 10"
Baseboard (Vertical)	6.5"
Crown (Vertically Nested)	7.5"
Net Weight	57 lbs
Input	120 V~, 60hz, 15 Amps
Blade Arbor Hole	1"
Blade Diameter	12"
No Load Speed	4,000 r/min (RPM)

# FEATURES



1. Dust Bag
2. Depth Stop
3. Bevel Scale and Pointer (x2)
4. Sliding Fence
5. Base
6. Mounting Holes (x4)
7. Throat Plate
8. Work Table
9. Clamp
10. Blade
11. Lower Guard
12. Upper Guard
13. Spindle Lock
14. On/Off Switch and Lockout Hole
15. Back Fence Support
16. Torx Wrench

Figure 1



17. Miter Detent Lock/Unlock Button
18. Bevel Lock/Unlock Handle
19. Miter Lock Knob
20. Miter Detent Override Button
21. Miter Scale and Pointer
22. Bevel Detent Latch (x2)
23. Slide Lock
24. Head Lock
25. Carrying Handle
26. Brush Cap
27. Glide Adjustment
28. Baseboard Position Lock
29. E-Brake (Not Shown)

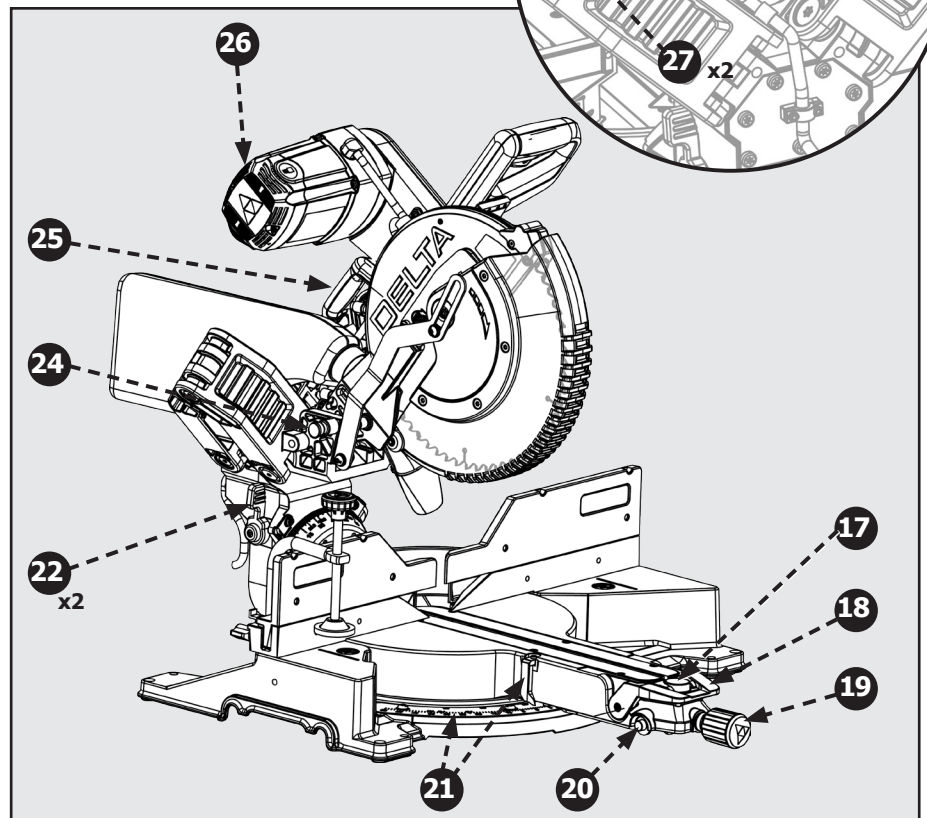


Figure 2

# FEATURES

## KNOW YOUR COMPOUND MITER SAW

- 1. Dust Collection Bag:** The dust bag collects and contains the saw dust during the cutting operations.
- 2. Depth Stop:** The depth stop plate can be used to make a non-through cut. The depth stop screw allows the depth of cut to be adjusted.
- 3. Bevel Scale and Pointer:** These indicate the current blade bevel position and are adjustable; This allows for fine calibration of the blade alignment.
- 4. Adjustable Fence:** The fence supports the workpiece when making all cuts. The extension is adjustable.
- 5. Base:** Supports the tool and features mounting holes.
- 6. Mounting Holes (x4):** Enables you to securely mount the tool to a stable surface.
- 7. Throat Plate (Kerf Plate):** The kerf plate supports the workpiece from underneath, on both sides of the blade, to minimize workpiece tear out
- 8. Work Table:** The die-cast aluminum work table provides a level and sturdy work surface.
- 9. Clamp:** The vertical work clamp helps to position and secure the workpiece to the work table. This provides for safer operation and more accurate cuts.
- 10. Blade:** A 12 inch blade is included with the compound miter saw.
- 11. Lower Guard:** The lower blade guard is made of shock-resistant, see-through plastic that provides protection from the blade.
- 12. Upper Guard:** Cast aluminum protects user from blade.
- 13. Spindle Lock:** Engage the spindle lock when changing the blade in order to hold the blade into position while you loosen the blade bolt.
- 14. Power Switch and Power Lockout:** This saw is activated by an easy to use, hand operated, power switch. When not in use the saw should be disconnected from the power supply and locked using a padlock inserted through the lockout hole located on the power switch.
- 15. Back Fence Support:** These provide workpiece support and additional cut capacity when the sliding fence is removed.
- 16. Torx Wrench:** This wrench features two Torx head sizes and should be used when removing, installing, or changing the blade.
- 17. Miter Detent Lock/Unlock Button:** This button allows you to release the miter arm from the positive stops and freely rotate the miter arm.
- 18. Bevel Lock/Unlock Handle:** This handle locks the blade bevel angle securely into place. Always lock before making any cuts.
- 19. Miter Lock Knob:** This knob locks the blade miter angle securely into place. Always lock before making any cuts.
- 20. Miter Detent Override Button:** This button holds the miter detent into the unlocked position which allows free movement of the miter arm without holding the miter detent lock/unlock button.
- 21. Miter Scale and Pointer:** These indicate the current blade miter position and are adjustable; This allows for fine calibration of the blade alignment.
- 22. Bevel Latch (x2):** This latch engages/disengages the bevel detent pin which allows the bevel angle to be locked into one of the detent positions.
- 23. Slide Lock:** This allows the saw head to be locked into the fully retracted position, for transportation.
- 24. Head Lock:** This allows the saw head to be locked into the full down position, for transportation.
- 25. Carrying Handle:** Use this to transport your saw. Make sure the Slide and Head lock are engaged before transporting.
- 26. Brush Cap:** This provides access to your saw's motor's carbon brushes, in the event they need to be inspected or replaced.
- 27. Glide Adjustment:** This adjust the friction for the front to back, saw head siding movement.
- 28. Crown Position Lock:** When cutting crown molding it may be useful to use this sliding stop feature to position the saw head at a desirable location for optimal crown cuts.
- 29. E-Brake (Not Shown):** This brake will slow your blade down quickly when the power switch is disengaged (release hand from power switch).

## UNPACKING

### REMOVING CONTENTS FROM PACKAGING

**▲ WARNING:** Check shipping carton and machine for damage before unpacking. Carefully remove packaging materials, parts and machine from shipping carton. Always check for and remove protective shipping materials around motor and moving parts. Lay out all parts on a clean work surface.

- Compare the items to inventory figures, verify that all items are accounted for before discarding the shipping carton. Report any missing or damaged parts, please call our Customer Care Center at 800-223-7278. Prior to tool assembly and use, read this manual to familiarize yourself with proper assembly, maintenance and safety procedures.
- If any parts are missing, do not attempt to plug in the power cord and turn the power on. The saw should only be energized after all parts have been located and correctly assembled.
- This saw is packaged and shipped with saw head secured in the down position, using a plastic tie. To remove the plastic tie: push saw head down, cut plastic tie. See "Saw Head Lock Pin" in "Preparing Your Saw for Transport" section of this manual for instructions on how to use the saw head lock pin.



# UNPACKING

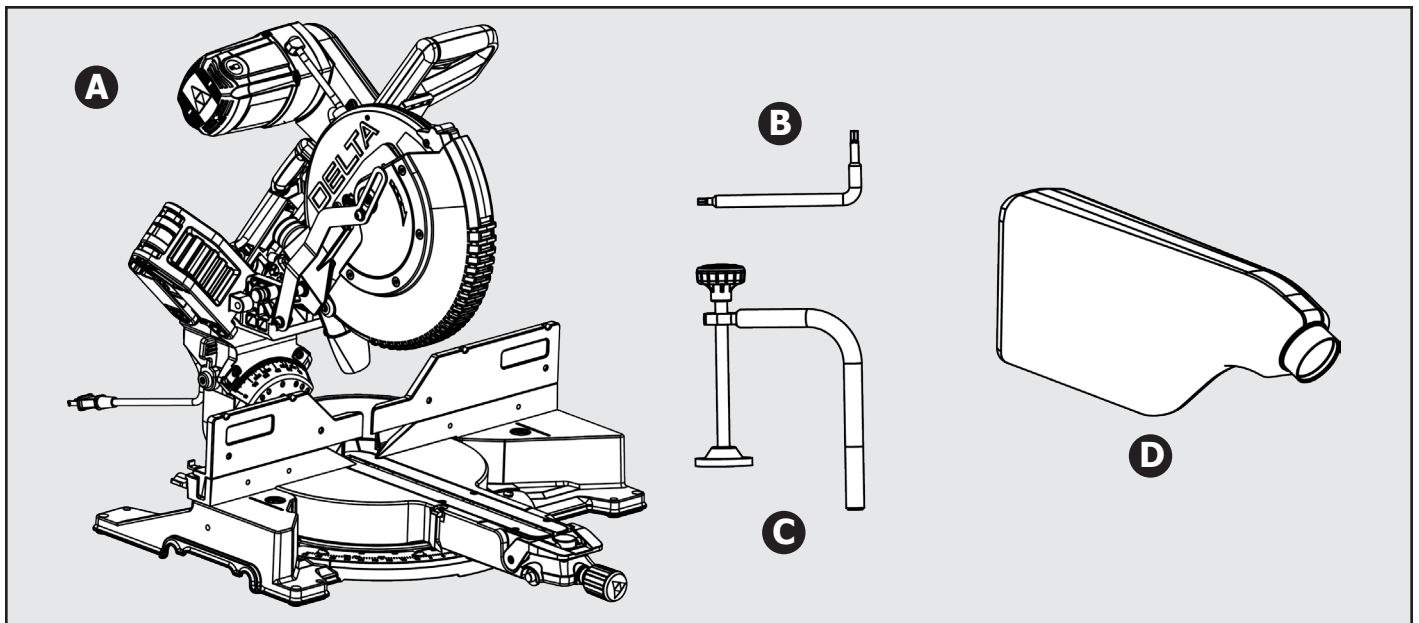


Figure 3

## PACKAGED CONTENTS LIST

- |    |                              |    |                   |
|----|------------------------------|----|-------------------|
| A. | <b>Delta Cruiser 26-2250</b> | C. | <b>Work Clamp</b> |
| B. | <b>Blade Wrench</b>          | D. | <b>Dust Bag</b>   |

# MOUNTING AND TRANSPORTATION

**⚠ WARNING:** Before moving/transporting your saw it is important to make sure all of the following steps have been followed to ensure a safe condition for transportation. Failure to do so can result in serious personal injury.

**⚠ WARNING:**

- Always turn the power off and unplug saw before transporting.
- Secure power cord to avoid any snags or hang ups during transportation.
- Always lift using the strength of your legs to lift saw; never use your back muscles to lift saw.
- Do not use power On/Off switch handle or power cord to lift your saw.
- Always place the saw onto a stable and level surface with clearance for handling and maneuvering.

## PREPARATIONS FOR TRANSPORTATION

### SAW HEAD LOCK PIN

Always lock saw head in the down position before transporting saw. To engage saw head lock pin (A): Push saw head to the down position then push-in lock pin shown in Fig 4.

**⚠ WARNING:** Saw Head lock pin is for storage and transport only. This saw should never be locked in the down position while making cuts.

### SLIDE PREVENTION LOCK

Always engage the slide prevention lock (B) before transporting this saw. To engage slide prevention lock: Push saw head to the fully retracted position then swing the lock link down as shown in Fig. 4.

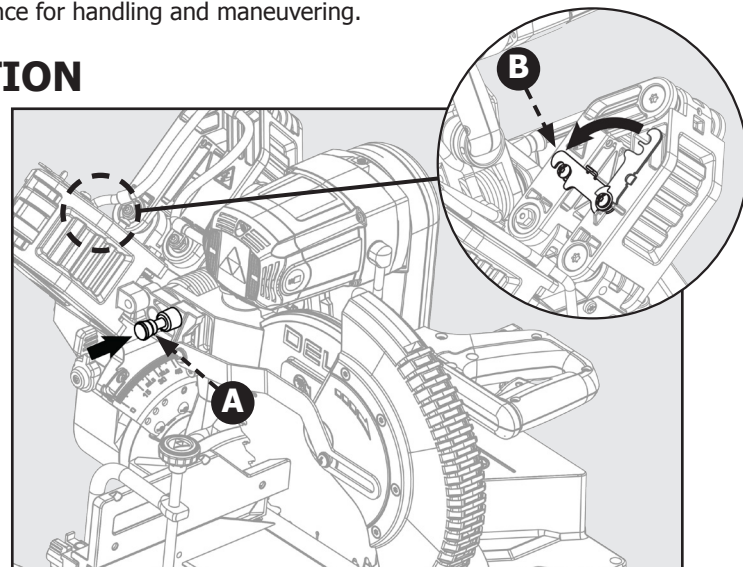


Figure 4



# MOUNTING AND TRANSPORTATION

## CARRY HANDLE

For transportation use the included carry handle (A) as shown in Fig. 5. You may also lift using the cast-in handle cut-outs (B) on both sides of the saw base as shown in Fig. 5.

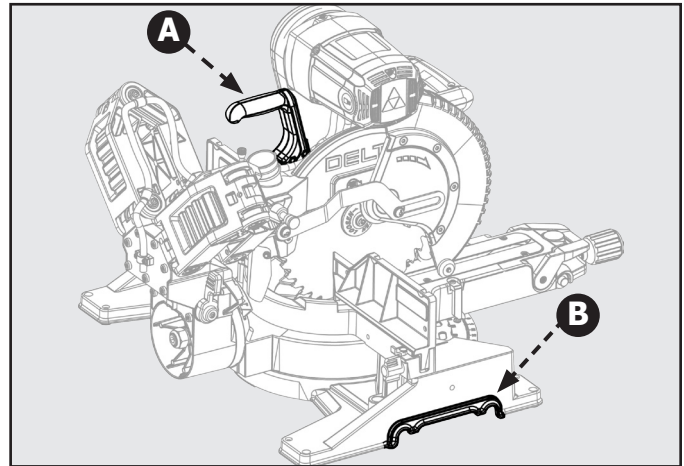


Figure 5

## MOUNTING SAW TO STABLE SURFACE

**⚠ WARNING:** To ensure safe and accurate operation, this saw should be mounted to a stable and level surface such as a workbench. To mount the tool to a stable surface, refer to Figure 6 and do the following:

1. Locate the four mounting holes in the base of the saw C.
2. Secure the tool to the mounting surface using 3/8" diameter machine bolts, lock washers, and hex nuts (not included). Make sure the bolts are long enough to accommodate the saw base, lock washers, hex nuts, and the thickness of the workbench.
3. Tighten all four bolts securely.
4. Check to make sure that the saw is secure before operation.

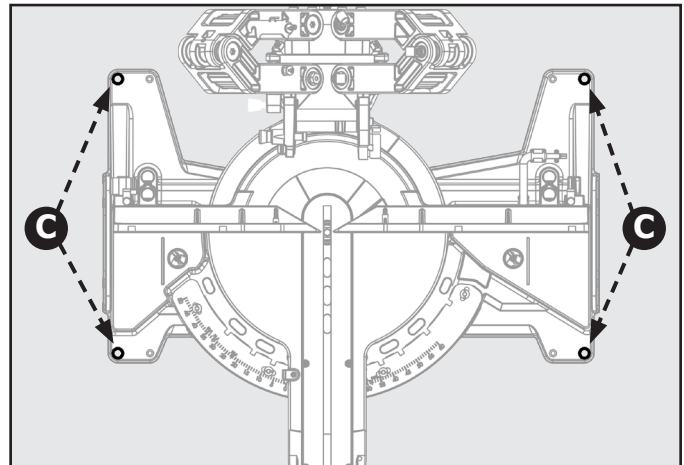


Figure 6

# ASSEMBLY

## TOOLS NEEDED

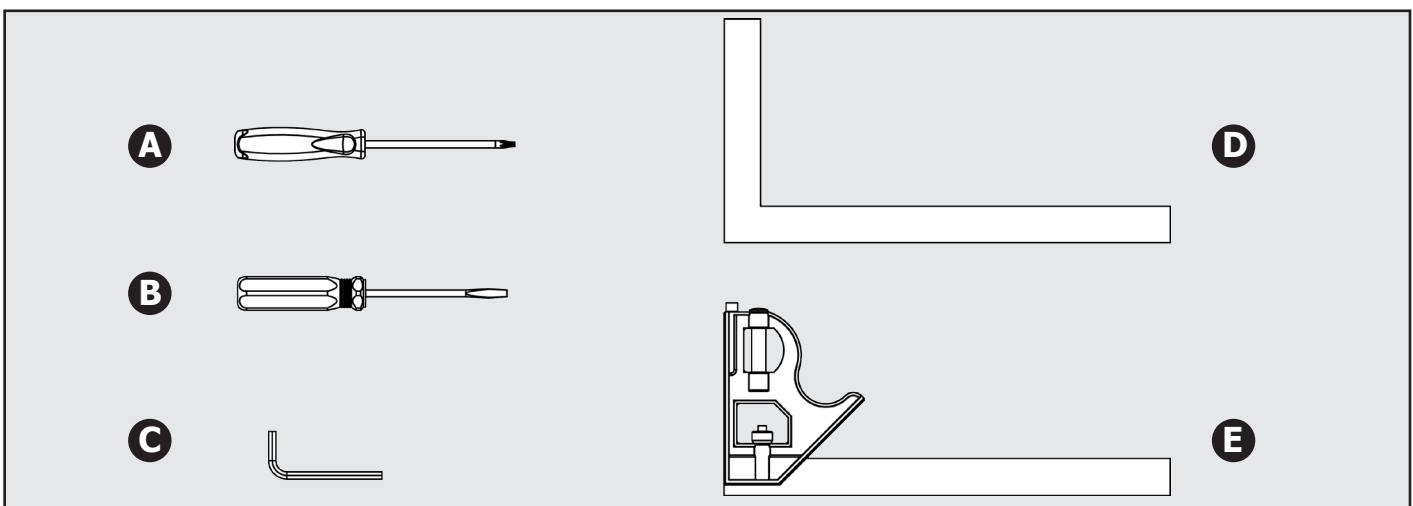


Figure 7

- A. T20 Torx Driver  
B. Flat Head Drive  
C. 5mm Hex Wrench

- D. Square  
E. Combination Square

# ASSEMBLY

## ⚠ WARNING:

- Do not attempt to modify this tool or create accessories not recommended for use with this tool. Any such alteration or modification is misuse and could result in a hazardous condition.
- Do not connect to power supply until assembly is complete. Failure to comply could result in accidental starting.
- Do not start the miter saw without checking for interference between the blade and the miter fence. Damage could result to the blade if it strikes the miter fence during operation of the saw.
- The saw can tip over if the saw head is released suddenly and the saw is not secured to a work surface. ALWAYS secure this saw to a stable work surface before any use.
- If any parts are damaged or missing do not operate this tool until the parts are replaced. Please call Customer Care Center at 800-223-7278, for instructions.

## WORK CLAMP

The vertical work clamp secures the workpiece to the table to provide more stability and keeps the workpiece from creeping toward the saw blade.

To install the vertical work clamp, see Figure 8 and do the following:

1. Place the clamp shaft (A) in either hole (B) on the miter base.
2. Rotate the knob (C) on the clamp clockwise to move it in or counter clockwise to move it out as needed.

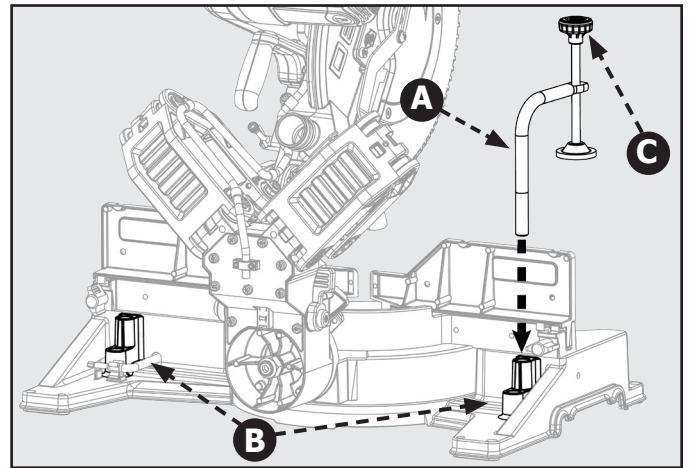


Figure 8

## DUST BAG

The Tool includes a dust collection bag (D) that attaches over the exhaust port on the upper blade guard. Slide the plastic collar onto the dust exhaust port on the back of the saw head. See Figure 9

**NOTE:** To remove the dust bag for emptying, simply reverse the above procedure.

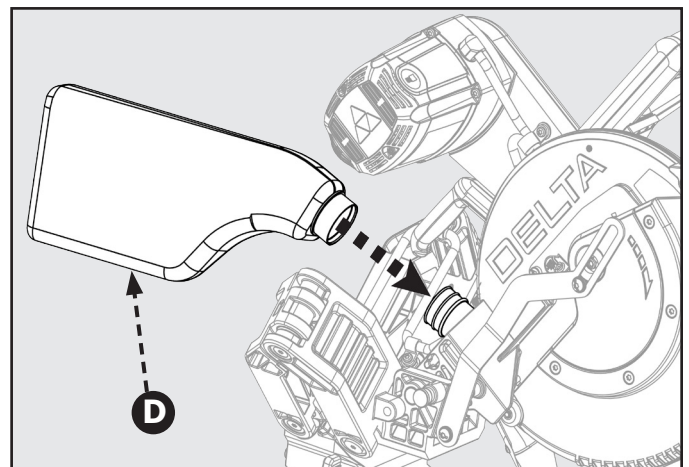


Figure 9

# ASSEMBLY

## INSTALL/REMOVE/REPLACE BLADE

**⚠ WARNING:** A 12-inch blade is the maximum blade capacity of the saw. Larger blades will come in contact with the blade guards.

Refer to Figure 10.

1. Make sure the saw is unplugged.
2. Raise the saw arm to the full upright position.
3. Rotate the lower blade guard (A) up. Slightly loosen the blade bolt cover screw (B) until you can move the blade bolt cover (C) up to expose the blade bolt (D).

Refer to Figure 11.

4. If replacing the blade, carefully rotate the old blade until the spindle locks in place.
5. Using the supplied blade wrench, remove the blade bolt (D) by turning it clockwise.

**NOTE:** The blade bolt has left-hand threads.

6. Remove only the outer blade washer (F) and the blade (G), leaving the inner blade washer on the spindle.

**⚠ WARNING:** If inner blade washer has been removed, replace it before placing blade on spindle. Failure to do so could cause an accident since blade will not tighten properly.

7. Press the spindle lock button (E). See figure 12.
8. Carefully fit saw blade inside the blade guard and guide it onto the spindle, ensuring the teeth of the blade are facing down at the front of the saw.
9. Align the double "D" flats on the blade washer (F) with the flats on the spindle and fit the washer onto the spindle.
10. Lock the spindle by depressing the spindle lock button. Screw on the blade bolt (D), remembering to thread it counter clockwise. Tighten blade bolt securely using the provided blade wrench.

**⚠ WARNING:** Always install the blade with the blade teeth and the arrow on the side of the blade pointing down at the front of the saw. The direction of the blade rotation is also stamped with an arrow on the upper blade guard.

11. Replace the blade bolt cover and tighten blade bolt cover screw securely. Lower blade guard.
12. Raise and lower the saw arm to ensure that the arm and blade guard move freely.

**⚠ WARNING:** Make sure the spindle lock button is not engaged before reconnecting saw to power source. Never engage spindle lock button when blade is rotating.

**NOTE:** Some illustrations in this manual indicate only portions of the saw. This is done in order to more clearly show key areas and components of the saw. Never operate the saw without all guards securely in place and in good operating condition.

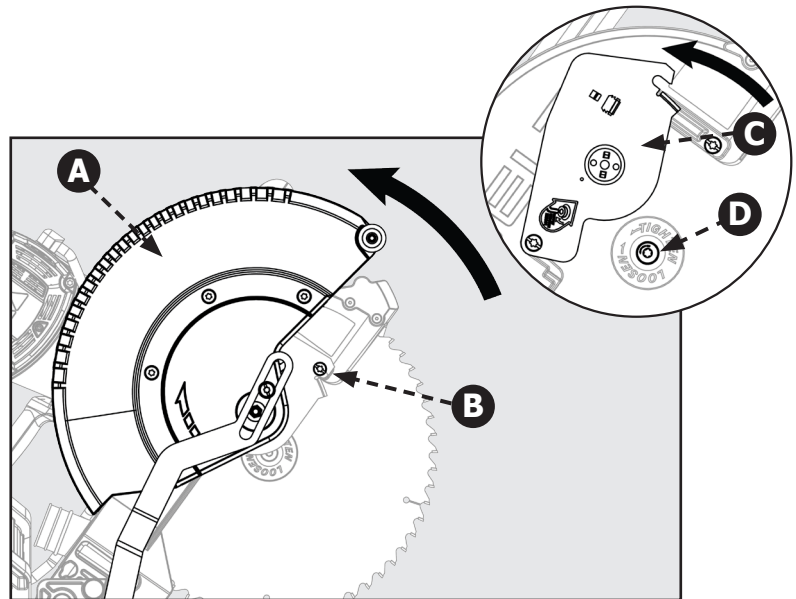


Figure 10

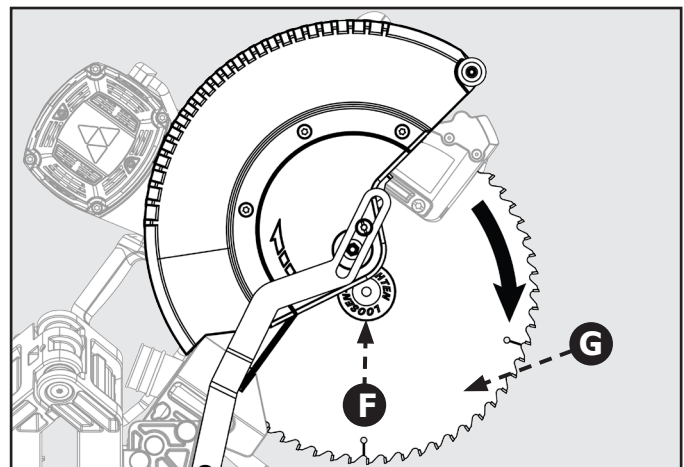


Figure 11

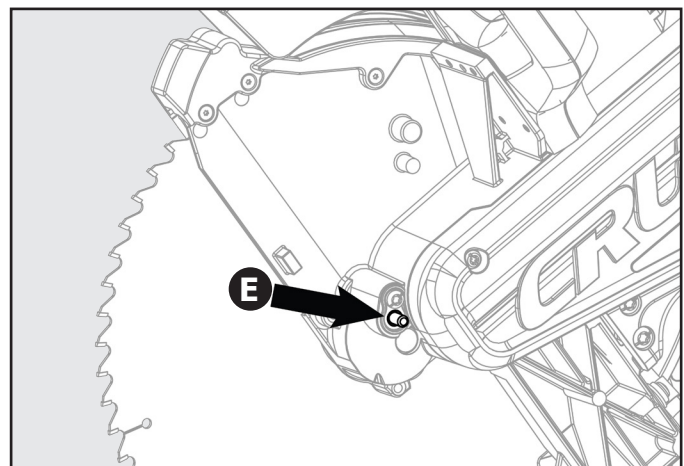


Figure 12

# OPERATION

## ⚠ WARNING:

- Do not allow familiarity with tools to make you careless. Remember that a careless fraction of a second is sufficient enough to inflict serious personal injury.
- Always wear eye protection with side shields and marked to comply with ANSI Z87.1 Failure to do so could result in objects being thrown into your eyes, resulting in possible serious personal injury.
- Do not use any attachments or accessories not recommended by the manufacturer of this tool. The use of attachments or accessories not recommended can result in serious personal injury.
- Before starting any cutting operation, clamp or bolt the compound miter saw to a workbench. Never operate the miter saw on the floor or in a crouched position. Failure to heed this warning can result in serious personal injury.
- To avoid serious personal injury, always tighten the miter lock handle and bevel lock knob securely before making a cut. Failure to do so could result in movement of the control arm or miter table while making a cut.
- To avoid serious personal injury, keep hands outside the no hands zone, at least 3 in. from blade. Never perform any cutting operation freehand (without holding workpiece against the fence). The blade could grab the workpiece if it slips or twists.
- When using a work clamp or C-clamp to secure the workpiece, clamp workpiece on one side of the blade only. The workpiece must remain free on one side of the blade to prevent the blade from binding in workpiece. The workpiece binding the blade will cause motor stalling and kickback. This situation could cause an accident resulting in serious personal injury.
- NEVER move the workpiece or make adjustment to any cutting angle while the saw is running and the blade is rotating. Any slip can result in contact with the blade causing serious personal injury.

You may use this tool for the following purposes:

- Bevel cutting and compound cutting for crown moldings, etc.
- Cross cutting wood and plastic.
- Cross cutting for moldings, door casings, picture frames, etc.

## CUTTING WARPED MATERIAL

When attempting to cut warped material, the CONVEX face should be against the fence as shown in Figure 13.

Never position a piece of warped material with the CONCAVE face or edge against the fence, as shown in Figure 14. It will pinch the blade near the completion of the cut.

**⚠ WARNING:** To avoid a kickback and to avoid serious personal injury, never position the concave edge of bowed or warped material against the fence.

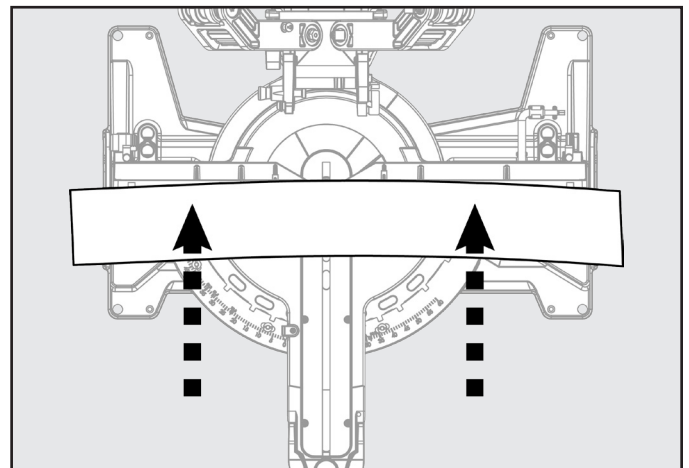


Figure 13

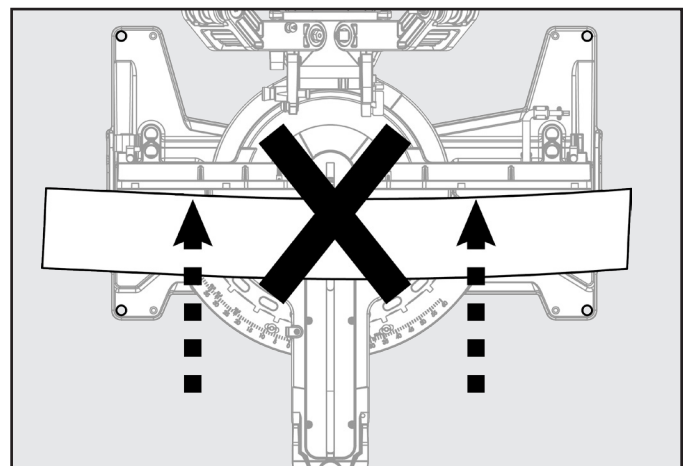


Figure 14



# OPERATION

## CLAMPING WIDE WORKPIECES

When cutting wide work pieces, such as 2 in. X 12 in., clamp the workpiece to the work table using a work clamp (A) as shown in Figure 15.

**⚠ WARNING:** Keep clamps away from the path of the blade and blade guard assembly.

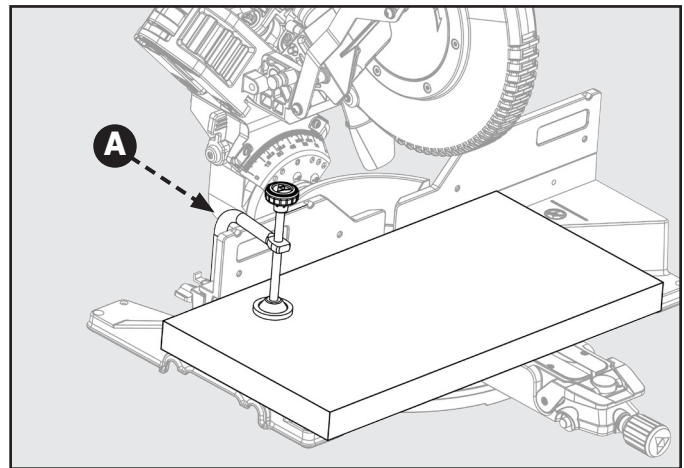


Figure 15

## SUPPORTING LONG WORKPIECES

In most cases the included table extensions (workpiece supports) will be sufficient to support longer workpieces. If these are not long enough, the workpiece should be supported further out from the saw. Additional support (B) may be used to make the workpiece lay flat on the saw table. Use the included work clamp or a C-clamp (C) to secure the workpiece to the miter saw table. See Figure 16.

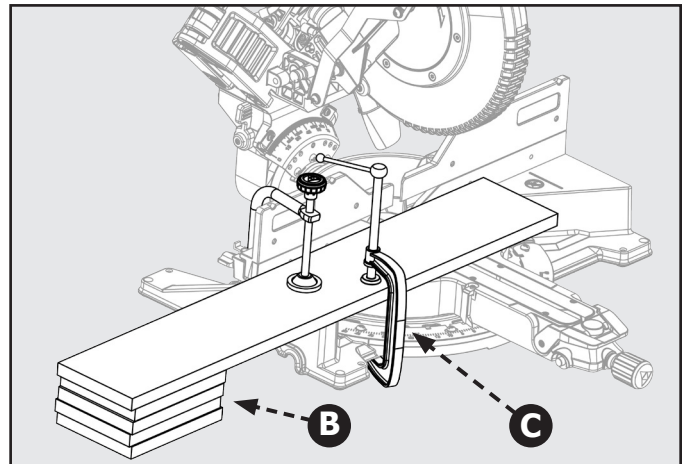


Figure 16

## POWER SWITCH LOCK

To prevent any unauthorized person from operating this saw, a padlock (not included) should be installed into the lock hole located on the power switch, as shown in Figure 17. Be sure padlock is fully closed and locked before leaving this saw unattended.

**⚠ WARNING:** Always disconnect the power supply before installing or removing a lock onto the power switch. Failure to do so could cause the power switch to engage by accident, resulting in serious injury.

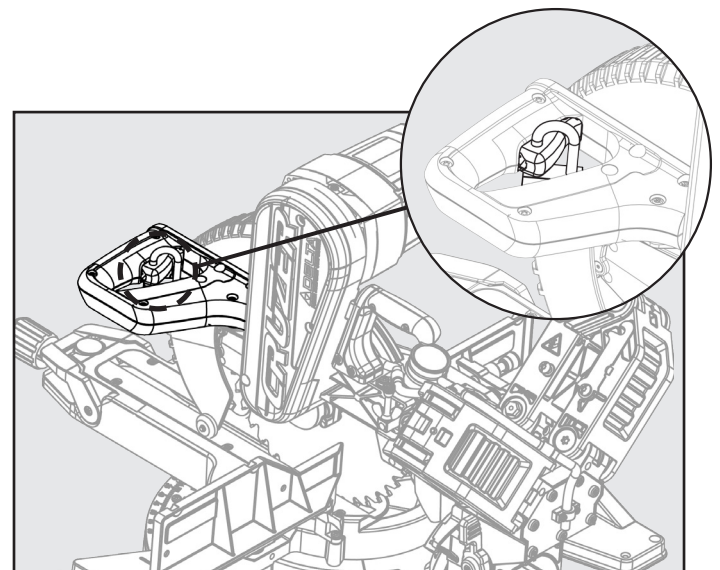


Figure 17



# OPERATION

**⚠ WARNING:** Before turning the saw power ON, check to make sure saw head and blade will not make contact with the provided work clamp or fence during the cutting operation. Position the work clamp and fence to avoid contact with the miter saw head.

## NON-SLIDING CUTS

**⚠ WARNING:** Always engage the slide prevention lock before making any non-sliding cuts. Failure to engage this lock could result in saw head movement during the cutting operation.

### FOR CROSS CUTS

1. See Figure 18
2. To use this saw as a traditional, non-sliding, miter saw: slide the saw head into the fully retracted position and engage the slide prevention lock
3. Loosen the miter lock knob (A), use your thumb to push in the miter detent lock button (B), and set the miter arm angle to 0 degrees. Use the miter scale (C) and indicator (D) to locate the 0 degree miter position.
4. Release the miter detent button (B) and tighten the miter lock knob (A). Check that saw head is securely locked into position.
5. Raise the saw head to its UP position.
6. Position the workpiece so that it is securely supported by the saw table and fence. If the board is warped, read and follow the instructions under "Cutting Warped Material" in the "Operation" section of this manual.
7. Secure the workpiece to the table and against the fence, using the provided clamp.
8. Before turning the power switch ON, perform a simulated cut to check your cut alignment. Also check to make sure the blade will not come into contact with the provided work clamp or anything other than the workpiece.
9. Engage the power ON switch. Allow the blade to reach maximum speed.
10. Lower the saw blade through the workpiece.
11. Disengage the power switch and allow blade to come to a complete stop before raising the saw head.

### FOR MITER CUTS

**⚠ WARNING:** Before turning the saw power ON, check to make sure saw head and blade will not make contact with the provided work clamp or fence during the cutting operation. Position the work clamp and fence to avoid contact with the miter saw head.

**⚠ WARNING:** Always tighten the miter lock knob (E) before any cutting operation. Failure to do so may result in serious personal injury.

See Figure 19

1. Follow Operation instructions "For Cross-Cuts" in previous manual section. Include the following adjustments before cutting.
2. Rotate miter arm to required miter angle other than 0 degrees.

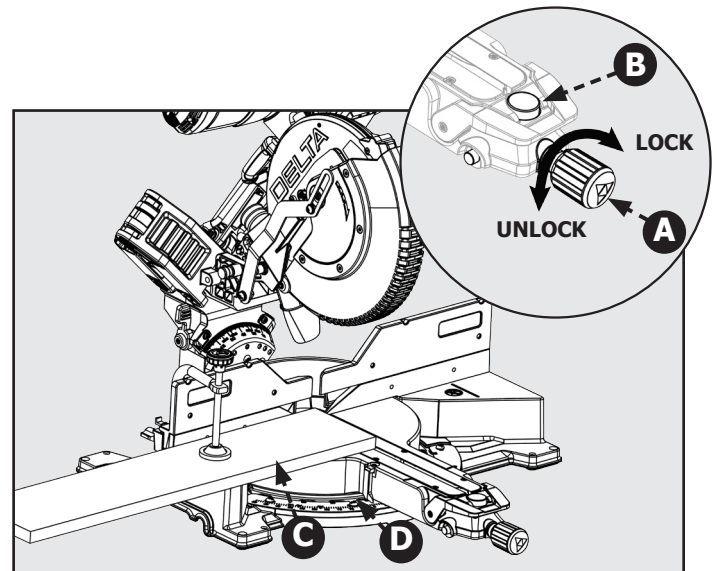


Figure 18

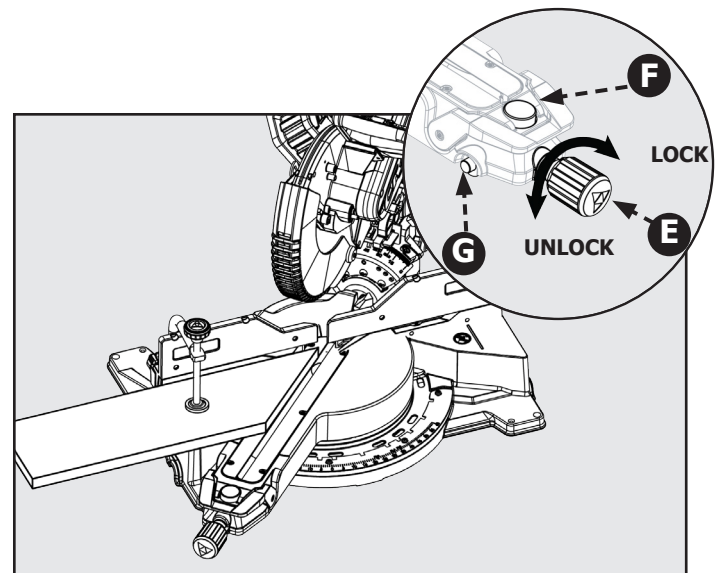


Figure 19

**NOTE:** If your required miter angle position is not provided with one of the positive stop miter detent positions; you can use the miter detent override (G). To engage the miter detent override, push in the miter detent button (F) and push in the miter detent override. Tighten the miter lock knob before cutting.

# OPERATION

## FOR BEVEL CUTS

**⚠ WARNING:** Before turning the saw power ON, check to make sure saw head and blade will not make contact with the provided work clamp or fence during the cutting operation. Position the work clamp and fence to avoid contact with the miter saw head.

**⚠ WARNING:** Always lock the bevel lock handle before any cutting operation. Failure to do so may result in serious personal injury.

See Figure 20

1. Follow Operation instructions "For Cross-Cuts" in previous manual section. Include the following adjustments before cutting.
2. Loosen fence lock knob (A) on left and right side, and slide adjustable fence (B) to allow proper spacing for bevel cuts. Once proper spacing is set, tighten fence lock knob
3. Lift the bevel lock handle (C)
4. While firmly supporting the saw head with one hand, push back the bevel latch lever (D) and swing the saw head left or right to the required bevel angle.
5. If you are using one of the bevel detent positions, check to make sure the bevel latch lever and bevel detent locks into the positive stop plate.
6. Push down the bevel lock handle to lock bevel position.

**NOTE:** If your required bevel angle position is not provided with one of the positive stop bevel detent position; you can lock the bevel position at any location using the bevel lock handle (C).

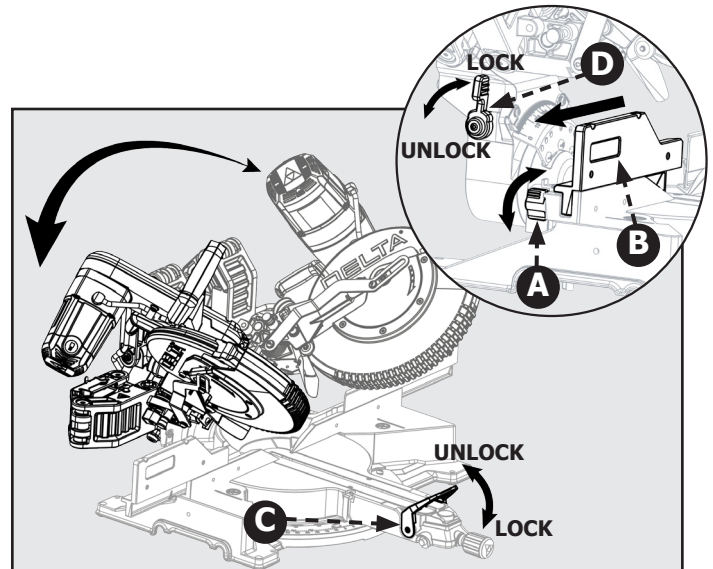


Figure 20

## FOR COMPOUND MITER CUTS

**⚠ WARNING:** Before turning the saw power ON, check to make sure saw head and blade will not make contact with the provided work clamp or fence during the cutting operation. Position the work clamp and fence to avoid contact with the miter saw head.

See Figure 21

A compound miter cut uses a combination of a miter angle adjustment and bevel angle adjustment. Use the instructions above "For Miter Cuts" and "For Bevel Cuts" to set your bevel and miter angle before performing the "For Cross-cuts" operation instructions above.

**NOTE:** The miter angle and bevel angle are dependent upon each other. If you adjust one of these it will change the other. Always check both angles after making any adjustments.

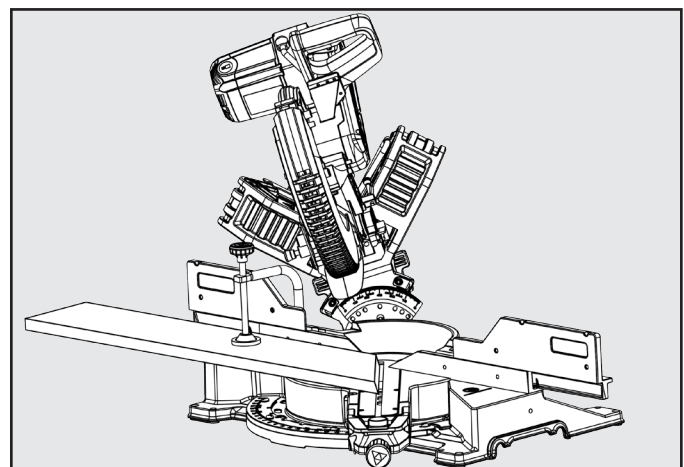


Figure 21

# OPERATION

## SLIDE CUTS

**⚠ WARNING:** A slide cut should never be performed by pulling the saw toward you. Due to the blade rotation direction, this can cause the saw blade to climb over the workpiece and towards the operator. Failure to follow this warning could result in serious personal injury.

**⚠ WARNING:** Before turning the saw power ON, check to make sure saw head and blade will not make contact with the provided work clamp or fence during the cutting operation. Position the work clamp and fence to avoid contact with the miter saw head.

See Figure 22

To use this saw to make slide cuts follow the instructions below. Slide cuts must only be performed by pushing the saw blade away from you and toward the back of the saw, stopping at the fully RETRACTED position after each cut. See warning above.

1. Check to make sure the slide prevention lock (B) and head lock pin (A) is not engaged. Raise the saw head to its UP position.
2. Position the workpiece so that it is securely supported by the saw table and fence. If the board is warped, read and follow the instructions under "Cutting Warped Material" in the "Operation" section of this manual.
3. Secure the workpiece to the table and against the fence, using the provided clamp.
4. Before turning the power switch ON, perform a simulated cut to check your cut alignment. Also check to make sure the blade will not come into contact with the provided work clamp or anything other than the workpiece.
5. Before turning the power switch ON, pull the saw arm towards you until the blade is beyond the front edge of your workpiece or until the saw arm is in the fully EXTENDED position. The saw head should be in the full UP position.
6. Engage the power ON switch. Allow the blade to reach maximum speed.
7. Lower the saw blade through the workpiece and push the saw head towards the fully RETRACTED position.
8. Disengage the power switch and allow blade to come to a complete stop before raising the saw head.

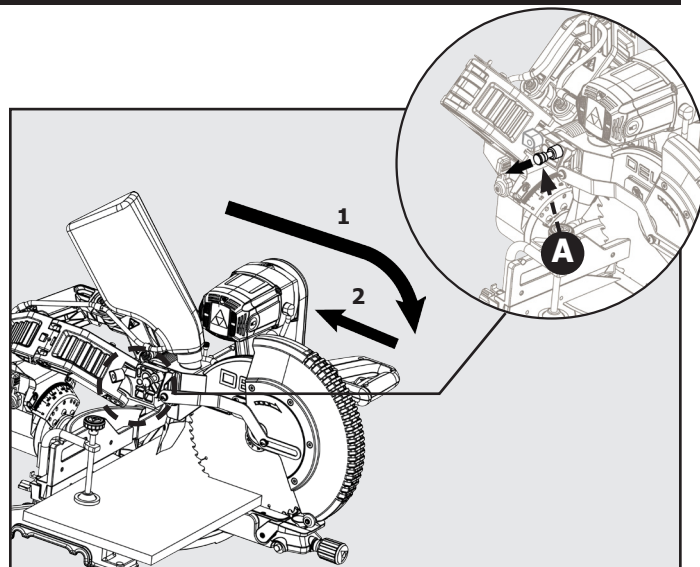


Figure 22

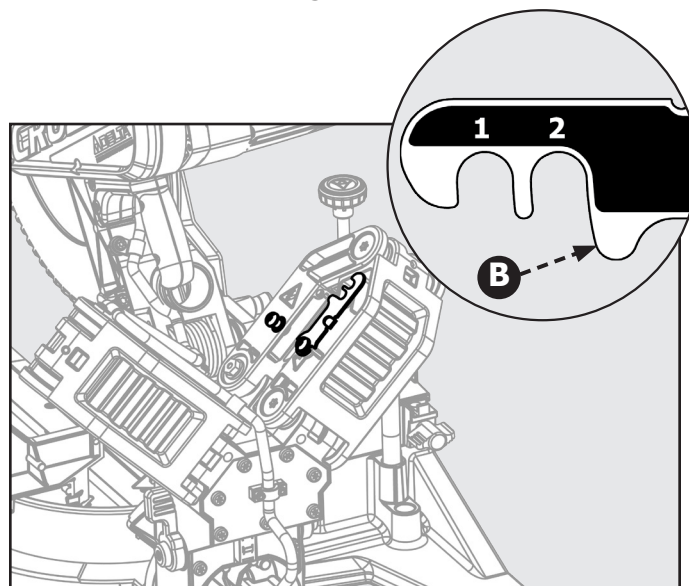


Figure 23

## TIPS FOR CUTTING CROWN MOLDING

- The two edges of the molding that contact the ceiling and the wall are at angles that, when added together, equal exactly 90°. Most crown molding has a top rear angle (the section that fits flat against the ceiling) of 52° and a bottom rear angle (the section that fits flat against the wall) of 38°.
- To accurately cut crown molding for a 90° inside or outside corner, lay the molding with its broad back surface flat on the miter table and against the fence.
- The angles for crown moldings must be very precise. The bevel and miter angles are interdependent; changing one angle changes the other angle as well.
- Since it is very easy for the work piece to shift, all settings should first be tested on scrap molding. Also most walls do not have angles of exactly 90°; therefore, you will need to fine-tune your settings.
- When cutting crown molding the bevel angle should be set at 33.85°.
- The miter angle should be set at 31.62° either right or left, depending on the desired cut for the application. See the chart below for correct angle settings and correct positioning of crown molding on the work table.

# OPERATION

Bevel Angle Setting	Type of Cut	Steps
33.85°	Left side, inside corner	<ol style="list-style-type: none"> <li>1. Top edge of molding against fence</li> <li>2. Miter table set right 31.62°</li> <li>3. Save left end of cut</li> </ol>
33.85°	Right side, inside corner	<ol style="list-style-type: none"> <li>1. Bottom edge of molding against fence</li> <li>2. Miter table set left 31.62°</li> <li>3. Save left end of cut</li> </ol>
33.85°	Left side, outside corner	<ol style="list-style-type: none"> <li>1. Bottom edge of molding against fence</li> <li>2. Miter table set left 31.62°</li> <li>3. Save right end of cut</li> </ol>
33.85°	Right side, outside corner	<ol style="list-style-type: none"> <li>1. Top edge of molding against fence</li> <li>2. Miter table set right 31.62°</li> <li>3. Save right end of cut</li> </ol>

## AUXILIARY FENCE

For cutting certain workpieces, you may require a larger fence surface area to accommodate the workpiece. The auxiliary fence should be made using 3/4" thick wood. Use the holes which are pre-drilled in the fence to attach an auxiliary fence.

**⚠ WARNING:** Never use auxiliary fence which interferes or makes contact with saw head. Always check for clearance between auxiliary fence and saw head before making cuts.

**⚠ WARNING:** To make slide cuts using an auxiliary fence, a notch must be cut out in the auxiliary fence prior to attaching to saw fence.

**⚠ WARNING:** The auxiliary fence can only be used with the 0 degree bevel angle. Remove the auxiliary fence before making a bevel cut.

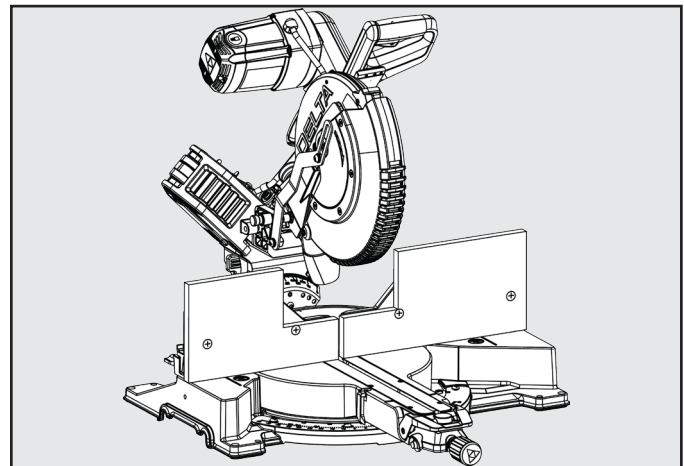


Figure 24

1. See figure 25 for auxiliary fence dimensions.
2. Place auxiliary fence wood against miter saw fence. See figure 24. The maximum height for this wood must not exceed 6.5". Check to make sure auxiliary fence does make contact with saw head, check with saw head in the full DOWN and fully RETRACTED position.
3. Mark the hole locations on the backside of the auxiliary fence board.
4. Drill the marked hole locations all the way through the auxiliary fence. Countersink the drilled holes on the front side of your auxiliary fence board.
5. Fasten the auxiliary fence using flat head screws. Secure from behind using flat washers and nuts.
6. Make a full depth cut through the auxiliary fence, to create the blade slot.
7. The notch shown in figure 25 must be cut out in order to make slide cuts using the auxiliary fence.

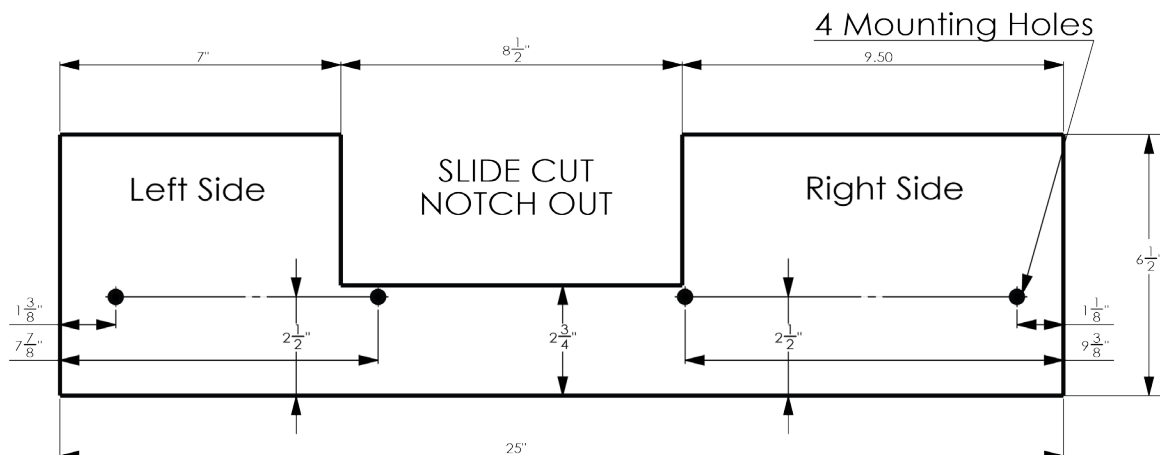


Figure 25



# OPERATION

## INCREASE CUT CAPACITY

This saw is designed to allow for large capacity cuts up to (2" x 18"). In order to make these cuts you will need to configure your saw appropriately.

**⚠ WARNING:** Do not use an auxiliary table board which will not fully support the workpiece during cutting operation.

1. Loosen the fence lock knob (A). Slide the upper (adjustable) fence (B) completely out of its track and set to the side. See Figure 26.
2. Flip the support tabs (C) into position. Tabs (C) are on both the left and right sides of the lower (fixed) fence. These will function as your workpiece backstop. See Figure 28.
3. You will need to add an auxiliary table board (D) to support your large capacity workpiece (E). Place a 2" x 14" auxiliary table board (D) onto the saw table and against the lower (fixed) section of the saw fence. Make sure the board is securely positioned against the lower (fixed) fence.

**NOTE:** Use wood screws to secure the auxiliary table board (D) to the lower (fixed) fence. See Figure 27.

4. Use the support tabs (C) to secure your workpiece before making any cuts

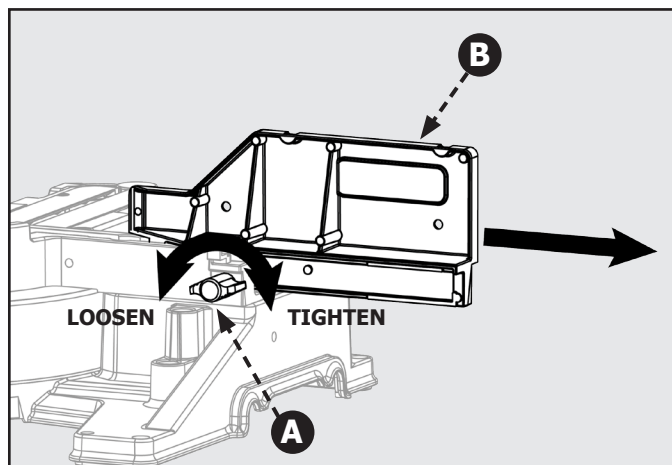


Figure 26

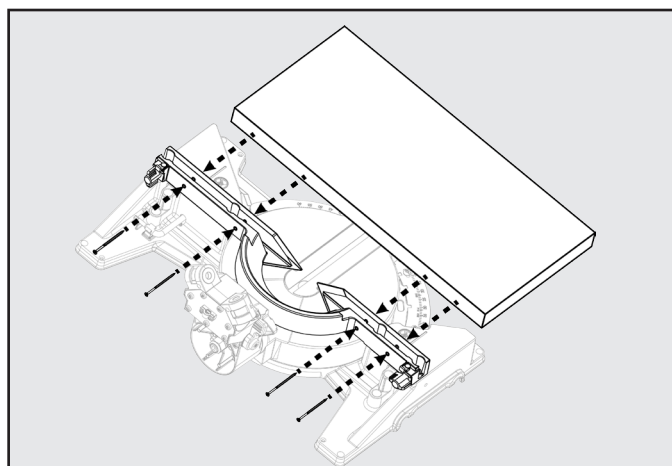


Figure 27

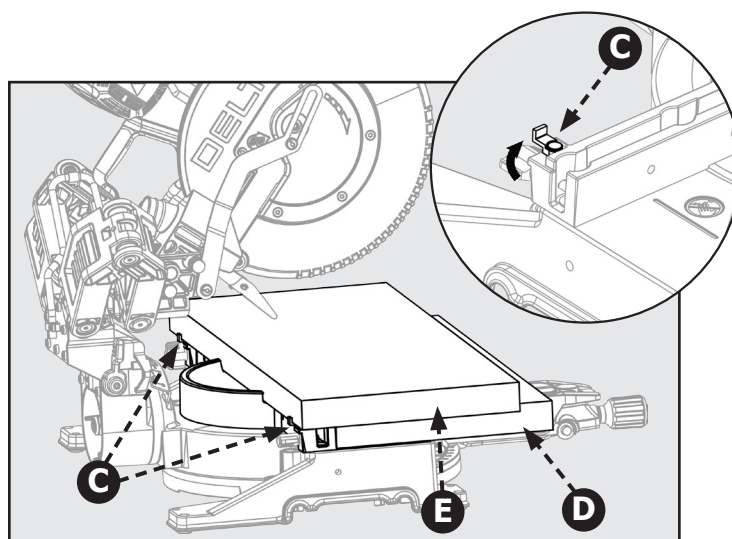


Figure 28



# ADJUSTMENTS

## ALIGN BLADE TO TABLE

Your saw is calibrated at the factory to cut true. Over time the saw's calibration may drift and will need to be re-calibrated.

See Figure 29

1. Unplug the Saw
2. Lower the saw head all the way down to the transport position and engage the saw head lock pin to hold it in place. Push the saw head into the fully retracted position and engage the slide prevention lock to hold it in place.
3. Set the miter position to 0 degrees and engage the miter lock knob so the table will not move.
4. Set the bevel position to 0 degrees. Engage the bevel latch lever, so the detent pin locks into the bevel detent plate.
5. Place a combination square (A) against the table and the face of the saw blade .

**NOTE:** Make sure the square contacts the flat part of the blade and not the teeth.

6. Rotate the blade by hand and check the blade-to-table alignment at several points. If the blade face is not flush with the square you will need to adjust the bevel detent plate.(B)
7. Loosen the three screws (C) and adjust the bevel detent plate position. Set so the table and blade are flush against the combination square. Make sure the bevel lock/unlock handle is not locked, so the detent plate may be adjusted.
8. Re-tighten the three screws and re-check the blade-to-table alignment.

**NOTE:** This saw has two scale indicators, one on the bevel scale and one on the miter scale. After squaring adjustment have been made, it may be necessary to loosen the indicator screws (D) and reset them to zero

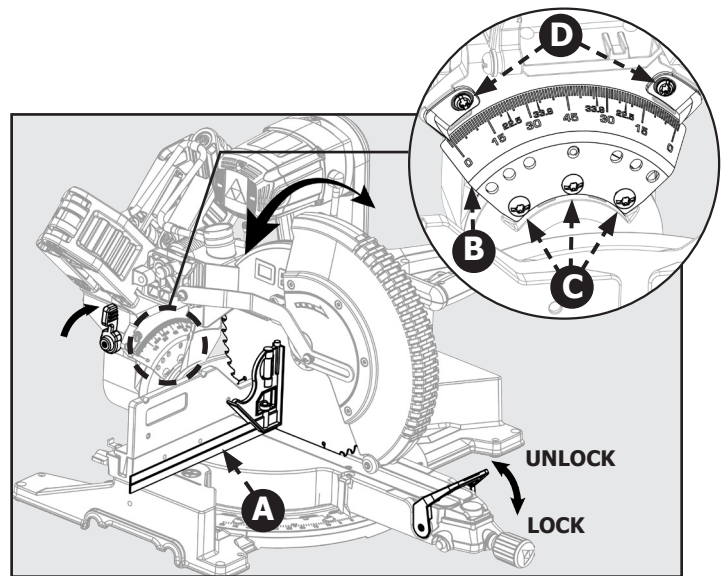


Figure 29

## ALIGN BLADE TO FENCE

Your saw is calibrated at the factory to cut true. Overtime the saw's calibration may drift and will need to be re-calibrated.

See Figure 30

1. Unplug the Saw
2. Lower the saw head all the way down to the transport position and engage the saw head lock pin to hold it in place. Push the saw head into the fully retracted position and engage the slide prevention link to hold it in place.
3. Set the miter position to 0 degrees and allow the miter detent to lock into position.
4. Set the bevel position to 0 degrees. Engage the bevel lock handle to lock bevel angle.
5. Place a square (E) against the fence and the face of the saw blade .

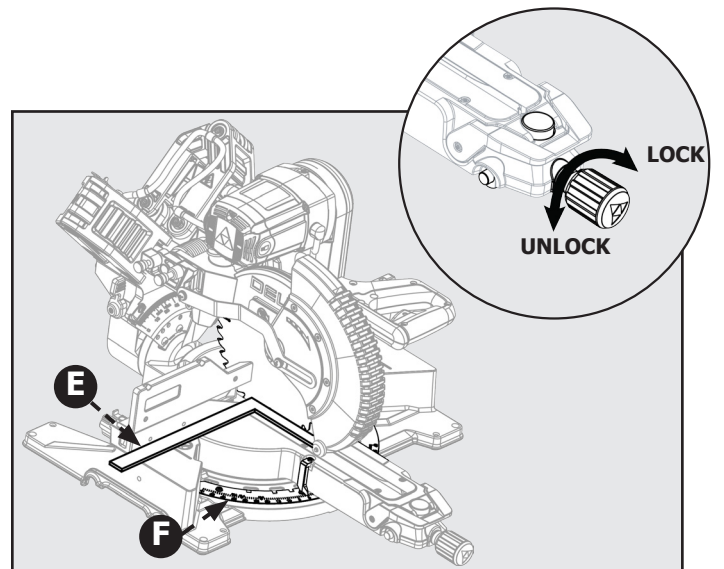


Figure 30

**INSTRUCTIONS CONTINUED ON NEXT PAGE**

# ADJUSTMENTS

## ALIGN BLADE TO FENCE CONT'D

**NOTE:** Make sure the square contacts the flat part of the blade and not the teeth.

6. If the blade face is not flush with the square you will need to adjust the miter detent plate

See Figure 31

7. Loosen the four screws (A) and move the miter table to adjust the miter detent plate position. Set so the fence and blade are flush against the combination square. Make sure the miter lock knob is not locked, so the miter detent plate may be adjusted.
8. Re-tighten the four screws and re-check the blade-to-fence alignment.

**NOTE:** This saw has two scale indicators, one on the bevel scale and one on the miter scale. After squaring adjustment have been made, it may be necessary to loosen the indicator screws (B) and reset them to zero.

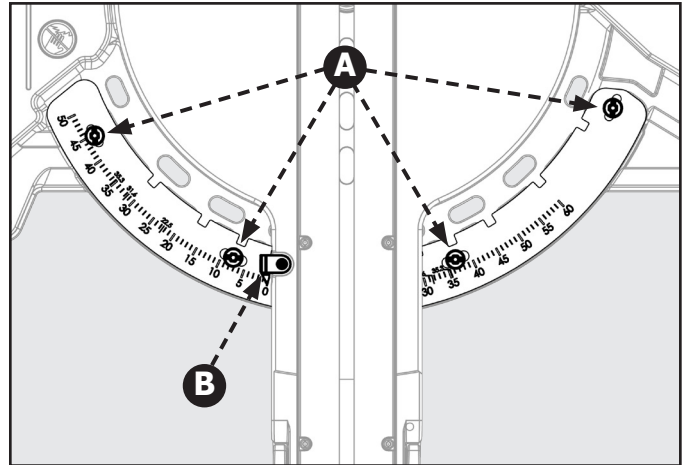


Figure 31

## DEPTH STOP ADJUSTMENT

This miter saw is equipped with an adjustable depth stop for making through cuts and non-through cuts.

**Refer to Figure 32 and follow these instructions in order to set the depth stop at a specific cut depth:** rotate the stop bracket (C) counterclockwise into the down position. The cut depth can now be adjusted by turning the depth adjustment screw (D).

**Refer to figure 32 and follow these instructions in order to make a through cut:** rotate the stop bracket (C) clockwise into the up position.

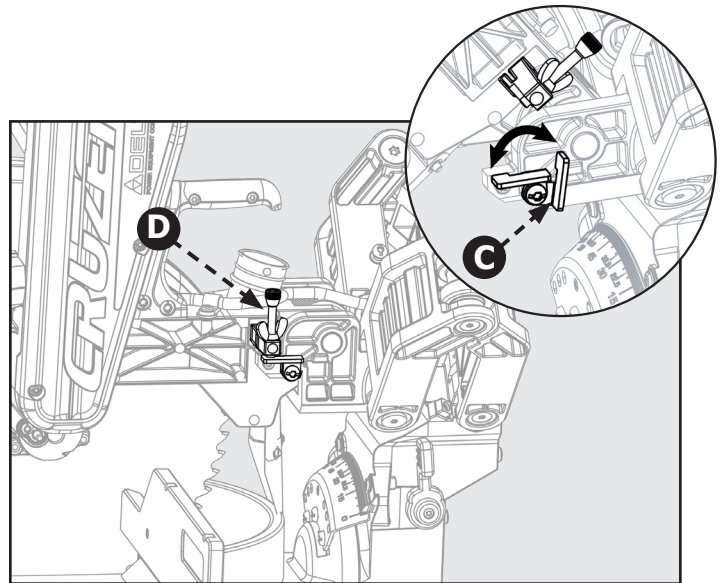


Figure 32

## FENCE EXTENSION

This saw is equipped with an adjustable extension fence. To extend or retract the fence refer to Figure 33 and follow these instructions: Loosen the lock knob (E) by rotating counterclockwise and the slide the fence (F) into the desired position. Make sure to re-tighten lock knob (E) by rotating clockwise.

**⚠ DANGER:** Always check to make sure lock knob (E) is tightened before making a cut. Failure to do so may result in injury.

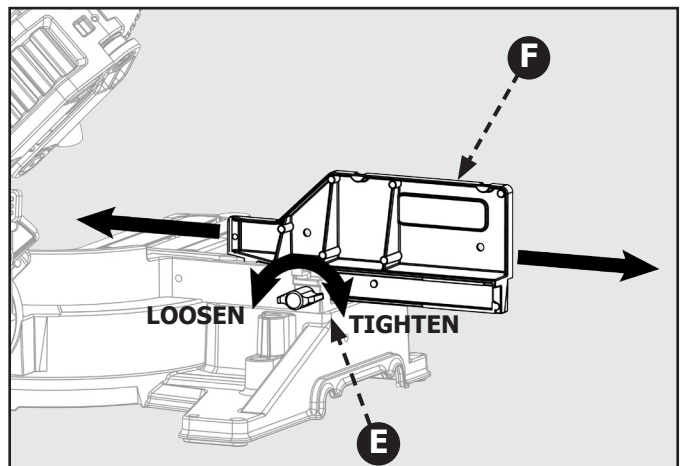


Figure 33

# ADJUSTMENTS

## SLIDE RESISTANCE

See Figure 34

The slide resistance (friction) on your saw is adjustable. Use an 5mm Hex wrench. Locate the friction adjustment screw on the saw arms (A). Turn right to tighten the sliding friction. Turn left to loosen the sliding friction.

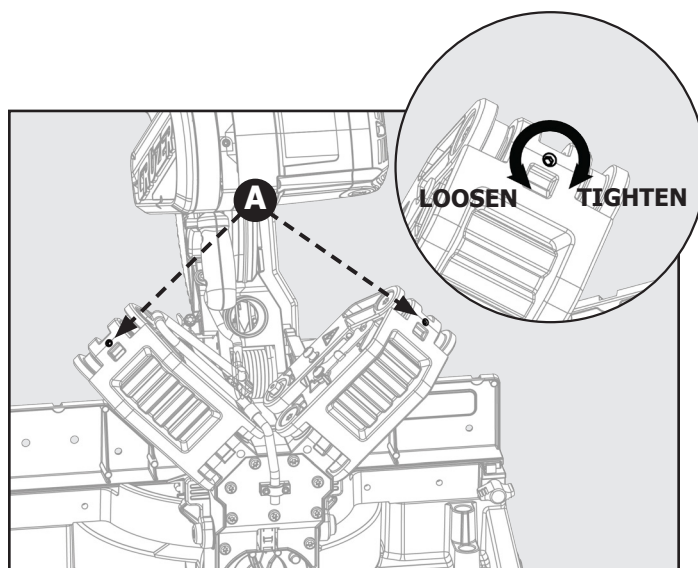


Figure 34

## THROAT PLATE

**⚠ WARNING:** Only use Delta® authorized service parts. Using non-authorized parts can result in damage to your machine and serious personal injury.

In the event that your throat plate needs to be replaced for any reason, follow these instructions. See figures 35 and 36.

1. Loosen the fence lock knobs. Slide both of the upper (adjustable) fences completely off the lower (fixed) fence.
2. Remove the four screws (B) in the lower (fixed) fence (C). Lift the fence off of the saw.
3. Remove the six screws (D) which hold the throat plate. Lift the throat plate off the miter arm.
4. Replace the throat plate only using a Delta® authorized service part.
5. Tighten the six screws (D) which hold the throat plate.
6. Re-install the lower (fixed) fence and tighten the four screws (B) which hold it.

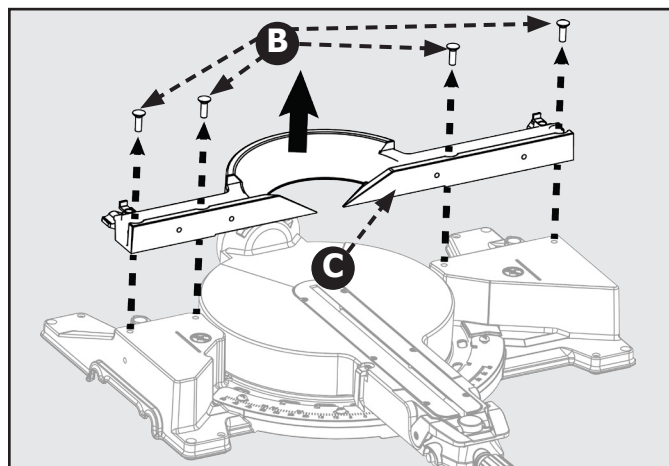


Figure 35

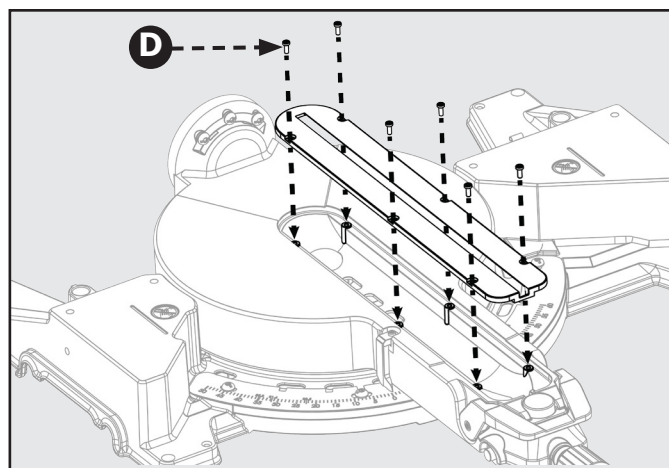


Figure 36

# MAINTENANCE

**▲ WARNING:** To reduce the risk of injury, turn unit off and disconnect it from power source before cleaning or servicing, before installing and removing accessories, before adjusting when making repairs. An accidental start-up can cause injury.

## KEEP MACHINE CLEAN

**▲ WARNING:** Periodically blow out all air passages with dry compressed air. All plastic parts should be cleaned with a soft damp cloth. NEVER use solvents to clean plastic parts. They could possibly dissolve or otherwise damage the material. Wear certified safety equipment for eye, hearing and respiratory protection while using compressed air.

Empty dust bag frequently.

When servicing, use only identical replacement parts. Use of any other parts may create a hazard or cause product damage.

## GENERAL MAINTENANCE

Avoid using solvents when cleaning plastic parts. Most plastics are susceptible to damage from various types of commercial solvents and may be damaged by their use. Use clean cloths to remove dirt, dust, oil, grease, etc.

## BRUSH REPLACEMENT

The motor on this saw features externally accessible brush assemblies that should be periodically checked for wear. If the brushes need to be replaced, refer to Figure 36 and proceed as follows:

Unplug the saw.

**▲ WARNING:** Failure to unplug the saw could result in accidental starting causing serious personal injury.

Loosen Screws (A) and remove motor end cap (B). Using a flat head carefully remove the brush cap (C).

**NOTE:** Remove the cap slowly. The brush assembly is spring-loaded and will pop out once the cap is removed.

Remove brush assembly (D).

Inspect both brushes. If either has less than 1/4 in. length of carbon remaining, both brushes should be replaced.

**NOTE:** Do not replace one side without replacing the other.

Insert both brushes into the brush tube (E), making sure the curvature of the brushes matches curvature of motor. Brush assembly should move freely within the tube.

Carefully replace the brush cap, ensuring that it is not cross-threaded.

Tighten brush cap securely. Do not over-tighten.

**▲ WARNING:** Do not at any time let brake fluids, gasoline, petroleum-based products, penetrating oils, etc., come in contact with plastic parts. Chemicals can damage, weaken or destroy plastic which may result in serious personal injury.

Electric tools used on fiberglass material, wallboard, spackling compounds, or plaster are subject to accelerated wear and possible premature failure because the fiberglass chips and grindings are highly abrasive to bearings, brushes, commutator, etc. Consequently, we do not recommend using this tool for extended work on these types of materials. However, if you do work with any of these materials, it is extremely important to clean the tool using compressed air.

## LUBRICATION

All of the bearings in this tool are lubricated with a sufficient amount of high-grade lubricant for the life of the unit under normal operating conditions. Therefore, no further lubrication is required.

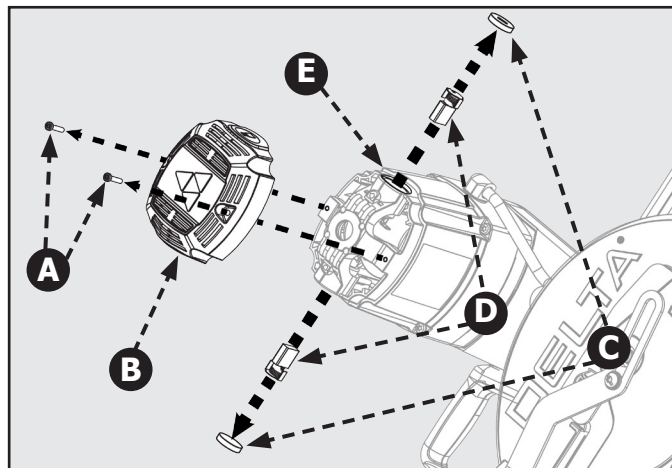


Figure 37

# TROUBLESHOOTING

## FAILURE TO START

If your machine fails to start, check to make sure the prongs on the cord plug are making good contact in the receptacle. Also, check for blown fuses or open circuit breakers in your power supply line. If the saw still does not start, call Company's Customer Care Center at 1-800-223-7278.



# ACCESSORIES

For accessories please visit our Web Site for an on-line catalog or for the name of your nearest supplier.

**⚠ WARNING:** Since accessories other than those offered by DELTA® have not been tested with this product, use of such accessories could be hazardous. For safest operation, only DELTA® recommended accessories should be used with this product

## PARTS, SERVICE OR WARRANTY ASSISTANCE

All CRUZER Machines and accessories are manufactured to high quality standards and are serviced by a network of an Authorized Service Centers. To obtain additional information regarding your product or to obtain parts, service, warranty assistance, or the location of the nearest service center, please call 1-800-223-7278.

### Five Year Limited Warranty

**1. WHAT IS COVERED.** Delta Power Equipment Corporation ("Company") will, at its option, repair or replace this product, if purchased at retail in the United States or Canada and the product, with normal use, has proven to be defective in workmanship or material, subject to the conditions stated in this Limited Warranty. This Limited Warranty covers only materials and labor. All transportation costs are Customer's responsibility.

**2. WARRANTY PERIOD.** All warranty claims must be submitted within three years from the date of retail purchase. For all service parts and factory refurbished products, the warranty period is 180 days.

**3. HOW TO OBTAIN SERVICE.** To obtain warranty service, you must return the defective product, at your expense, to a service center authorized by Company to perform warranty service (a "Company Authorized Service Center") within the applicable warranty period, together with acceptable proof of purchase, such as your original receipt bearing the date of purchase, or product registration number. Company reserves the right to restrict warranty claim service to the country where the purchase was made and/or to charge for the cost to export service parts or provide warranty service in a different country. For this purpose, on-line purchases are deemed made in the United States. For the location of your nearest Company Authorized Service Center, call Company's Customer Care Center at (800) 223-7278.

#### 4. EXCLUSIONS.

- Company does not offer any warranty on products purchased in used or damaged condition.
- Company does not warrant any products purchased outside the United States or Canada
- Company will not be responsible for any damage that has resulted from normal wear, misuse, abuse or any repair or alteration made by anyone other than a Company Authorized Service Center or a designated representative of Company's Customer Care Center.

**All IMPLIED WARRANTIES** are expressly limited to the warranty period identified above.

**Company will not be liable for INCIDENTAL OR CONSEQUENTIAL** damages.

This limited warranty is Company's sole warranty and sets forth the customer's exclusive remedy with respect to defective products; all other warranties, express or implied, whether of merchantability, fitness for purpose, or otherwise, are expressly disclaimed by Company, except as expressly stated in this warranty statement.

Some states do not allow the exclusion or limitation of incidental or consequential damages, or the limitation of implied warranties, so the above limitations or exclusions may not apply to you. This warranty gives you specific legal rights and you may have other rights which vary in certain states or provinces. For further details of warranty coverage and warranty repair information, call (800) 223-7278. To register your products on-line, we encourage you to visit our website and register for a FREE DELTA® Member Account at <http://www.deltamachinery.com/register>.

**LATIN AMERICA:** This warranty does not apply to products sold in Latin America. For products sold in Latin America, call the local company or see website for warranty information.

## REPLACEMENT PARTS

Use only identical replacement parts. For a parts list or to order parts, visit our website at [www.DeltaMachinery.com/service](http://www.DeltaMachinery.com/service). You can also order parts from your nearest Authorized Warranty Service Center or by calling Technical Service Manager at 1-800-223-7278 to receive personalized support from one of our highly-trained representatives.

## FREE WARNING LABEL REPLACEMENT

If your warning labels become illegible or are missing, call 1-800-223-7278 for a free replacement.

## SERVICE AND REPAIRS

All quality tools will eventually require servicing and/or replacement of parts. For information about Delta Power Equipment Corporation, its factory-owned branches, or to locate an Authorized Warranty Service Center, visit our website at [www.DeltaMachinery.com/service](http://www.DeltaMachinery.com/service) or call Customer Care at 1-800-223-7278. All repairs made by our service centers are fully guaranteed against defective material and workmanship. We cannot guarantee repairs made or attempted by others. By calling this number you can also find answers to most frequently asked questions 24 hours/day. You can also write to us for information at Delta Power Equipment Corporation, 2651 New Cut Road, Spartanburg, SC 29303 - Attention: Technical Service Manager. Be sure to indicate all of the information shown on the nameplate of your saw (model number, type, serial number, date code, etc.).



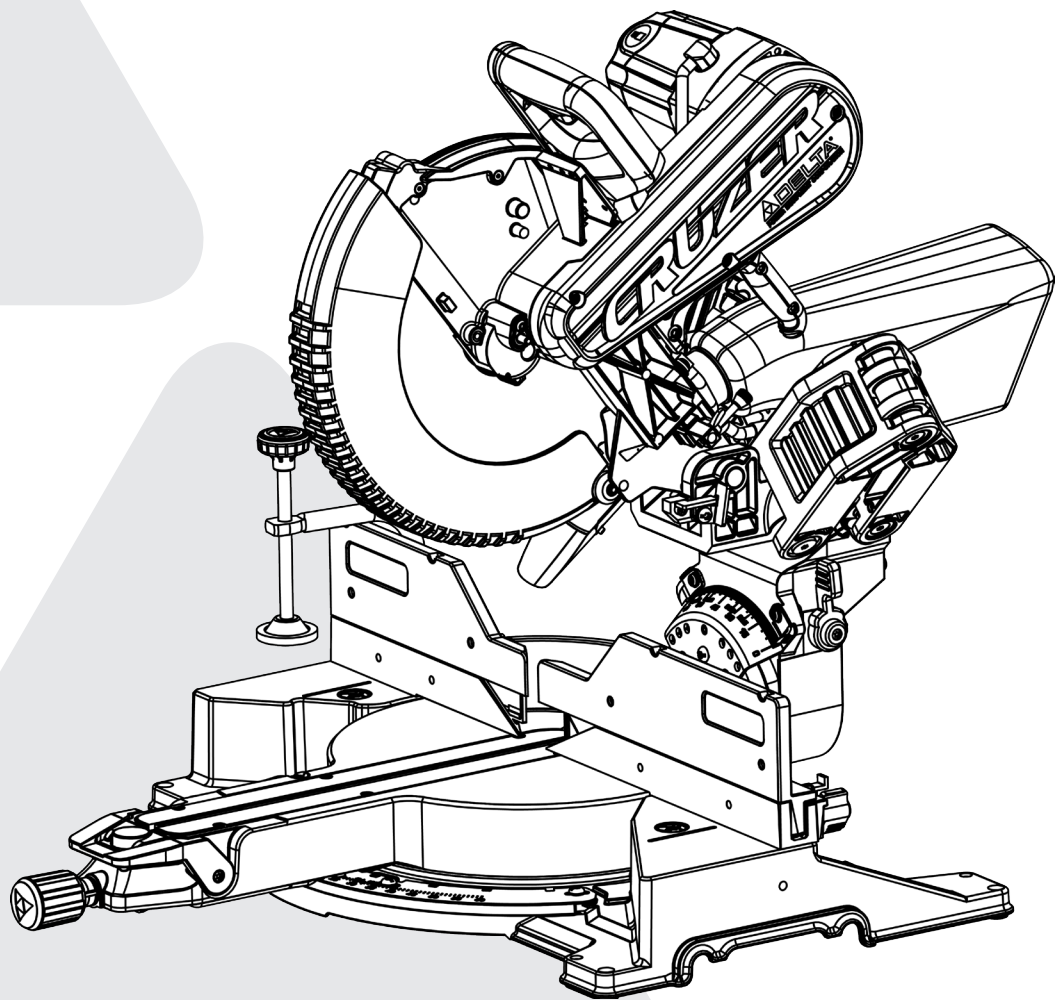


POWER EQUIPMENT CORPORATION

## 12-inch Sliding Compound Miter Saw

Scie à onglets composée coulissante 12 pouces

Sierra de inglete compuesta deslizando de 12 pulgadas



Français (25)

Español (49)

[www.DeltaMachinery.com](http://www.DeltaMachinery.com)

### Instruction Manual

Manual d'utilisation

Manual de instrucciones

**26-2250**

**⚠ AVERTISSEMENT :** Pour réduire les risques de blessure grave, veuillez lire attentivement et respecter toutes les mises en garde et directives dans ce guide et sur le produit.

**CONSERVEZ CE GUIDE PRÈS DE VOTRE PRODUIT POUR FACILITER LA CONSULTATION ET POUR INFORMER LES AUTRES.**



# TABLE DES MATIÈRES

<b>CONSIGNES IMPORTANTES DE SÉCURITÉ</b> .....	26	COUPES NON COULISSANTES.....	39
<b>LOGOS DE SÉCURITÉ</b> .....	26	POUR LES COUPES D'ONGLET .....	39
<b>RÈGLES DE SÉCURITÉ GÉNÉRALES POUR LES Outils ÉLECTRIQUES</b> .....	27	POUR LES COUPES EN BISEAU .....	40
<b>AVERTISSEMENT DE LA PROPOSITION 65 :</b> .....	28	POUR DES COUPES D'ONGLET COMBINÉES .....	40
<b>RÈGLES DE SÉCURITÉ DE LA SCIE À ONGLETS</b> .....	28	COUPES EN GLISSIÈRE .....	41
<b>BRANCHEMENTS D'ALIMENTATION</b> .....	29	CONSEILS POUR COUPE DE MOULURE COURONNÉE.....	41
DOUBLE ISOLATION.....	29	GUIDE AUXILIAIRE .....	42
BRANCHEMENT ÉLECTRIQUE.....	30	AUGMENTER LA CAPACITÉ DE LA COUPE .....	43
FICHES POLARISÉES .....	30	<b>RÉGLAGES</b> .....	44
RALLONGES.....	30	ALIGNEMENT DE LA LAME AVEC LA TABLE .....	44
<b>FONCTIONS</b> .....	30	ALIGNEMENT DE LA LAME AVEC LE GUIDE .....	44
SPÉCIFICATIONS DU PRODUIT .....	30	ALIGNEMENT DE LA LAME AVEC LA TABLE SUITE .....	45
APPRENEZ À CONNAÎTRE VOTRE SCIE À ONGLETS	30	RÉGLAGE DE LA BUTÉE DE PROFONDEUR .....	45
COMBINÉE .....	32	RALLONGE DU GUIDE .....	45
<b>DÉBALLAGE</b> .....	32	RÉSISTANCE AU GLISSEMENT .....	46
ENLÈVEMENT DU CONTENU DE LA BOÎTE .....	32	PASSE-LAME .....	46
LISTE DU CONTENU DE LA BOÎTE.....	33	<b>ENTRETIEN</b> .....	47
<b>ASSEMBLAGE ET TRANSPORT</b> .....	33	TENIR LA MACHINE PROPRE .....	47
PRÉPARATIONS POUR LE TRANSPORT .....	33	ENTRETIEN GÉNÉRAL .....	47
MONTAGE DE LA SCIE SUR UNE SURFACE STABLE .....	34	LUBRIFICATION.....	47
<b>MONTAGE</b> .....	34	REMPACEMENT DES BROSSES .....	47
OUTILS REQUIS.....	34	<b>DÉPANNAGE</b> .....	47
ÉTAU.....	35	DÉMARRAGE IMPOSSIBLE .....	47
SAC À POUSSIÈRES.....	35	<b>ACCESSOIRES</b> .....	48
INSTALLER/ENLEVER/REPLACER LA LAME.....	36	<b>ASSISTANCE POUR PIÈCES, SERVICE OU GARANTIE</b> .....	48
<b>UTILISATION</b> .....	37	PIÈCES DE REMPLACEMENT .....	48
COUPE DE MATÉRIAU GAUCHI.....	37	REMPACEMENT GRATUIT DES ÉTIQUETTES DE SÉCURITÉ .....	48
SERRAGE DES GRANDES PIÈCES .....	38	ENTRETIEN ET RÉPARATIONS .....	48
SOUTIEN DES LONGUES PIÈCES.....	38	<b>FRANÇAIS</b> .....	25
VERROUILLAGE DU COMMUTATEUR.....	38	<b>ESPAÑOL</b> .....	49

**REMARQUE :** La couverture du guide d'utilisation illustre le modèle du produit actuel. Toutes les autres illustrations contenues dans le manuel sont uniquement à titre indicatif et peuvent ne pas être des représentations exactes de l'étiquetage réel ou des accessoires inclus. Elles sont destinées à titre indicatif seulement.

## CONSIGNES IMPORTANTES DE SÉCURITÉ

**⚠ AVERTISSEMENT :** LIRE ATTENTIVEMENT ET SUIVRE TOUS LES AVERTISSEMENTS ET INSTRUCTIONS SUR VOTRE PRODUIT ET DANS CE GUIDE. CONSERVEZ CE GUIDE. ASSUREZ-VOUS QUE TOUS LES UTILISATEURS COMPRENNENT LES AVERTISSEMENTS ET LES INSTRUCTIONS AVANT D'UTILISER L'OUTIL.



Un mauvais fonctionnement, un mauvais entretien ou une modification des outils ou du matériel peuvent entraîner des blessures graves et/ou des dommages matériels.

## LOGOS DE SÉCURITÉ

Pour certaines informations dans ce guide, il est particulièrement important que vous en preniez connaissance et que vous les compreniez. Ces informations concernent VOTRE SÉCURITÉ et la PRÉVENTION DE PROBLÈMES AVEC L'ÉQUIPEMENT. Pour vous aider à reconnaître ces informations, nous utilisons les symboles ci-dessous. Veuillez lire le guide et prêter attention à ces sections.

**⚠ DANGER:** Indique une situation dangereuse imminente qui, si elle n'est pas évitée, entraînera la mort ou des blessures graves.

**⚠ AVERTISSEMENT :** Indique une situation dangereuse potentielle qui, si elle n'est pas évitée, pourrait entraîner la mort ou des blessures graves.

**⚠ MISE EN GARDE :** Indique une situation dangereuse potentielle qui, si elle n'est pas évitée, pourrait entraîner des blessures mineures ou modérées.

**MISE EN GARDE :** L'utilisation sans le symbole d'alerte de sécurité indique une situation potentiellement dangereuse qui, si elle n'est pas évitée, pourrait entraîner des dommages matériels.

Des informations supplémentaires concernant l'utilisation appropriée et sécuritaire de cet outil sont disponibles dans les références suivantes :

- Power Tool Institute, 1300 Sumner Avenue, Cleveland, OH 44115-2851 ou en ligne sur [www.powertoolinstitute.com](http://www.powertoolinstitute.com)
- National Safety Council, 1121 Spring Lake Drive, Itasca, IL 60143-3201
- American National Standards Institute, 25 West 43 rd Street, 4th floor, New York, NY 10036 [www.ansi.org](http://www.ansi.org) — exigences de sécurité ANSI 01.1 pour machines à bois
- Ministère du Travail du gouvernement américain, [www.osha.gov](http://www.osha.gov)

# RÈGLES DE SÉCURITÉ GÉNÉRALES POUR LES OUTILS ÉLECTRIQUES

**⚠ AVERTISSEMENT :** Lisez tous les avertissements, instructions, illustrations et spécifications fournis avec cet outil électrique. Le non-respect de toutes les instructions citées ci-dessous peut causer une décharge électrique, un incendie ou une blessure grave.


Conservez tous les avertissements et instructions pour consultation future.

Le terme « outil électrique » dans les avertissements désigne votre outil électrique qui fonctionne avec l'alimentation du secteur (avec fil) ou celui qui fonctionne avec une PILE (sans fil).

## 1. Sécurité de l'espace de travail

- Tenez votre espace de travail propre et bien éclairé.** Un endroit encombré et mal éclairé provoque les accidents
- Ne faites pas fonctionner l'outil électrique en présence de risque d'explosion; par exemple, dans le cas de proximité de liquides, gaz ou poussières inflammables.** Les outils électriques génèrent des étincelles susceptibles d'enflammer le liquide, les poussières ou les vapeurs.
- Ne permettez pas à des enfants ou des observateurs de rester proches lorsque vous faites fonctionner un outil électrique.** Les distractions peuvent vous faire perdre le contrôle.

## 2. Sécurité électrique

- Les fiches de l'outil doivent correspondre à la prise. Ne modifiez jamais la fiche d'aucune façon. N'utilisez pas d'adaptateurs avec les outils électriques mis à terre.** Les fiches non modifiées et les prises appropriées réduisent les risques de décharges électriques.
- Évitez de toucher à des surfaces mises à terre telles que les tuyaux, les calorifères, les cuisinières et les réfrigérateurs.** Le risque de décharges électriques est plus grand si votre corps est en contact avec une mise à la terre.
-  **Ne placez pas les outils électriques sous la pluie ou dans un environnement humide.** L'eau qui s'infiltre dans l'outil électrique augmentera le risque de décharges électriques.
- N'abîmez pas le cordon. N'utilisez jamais le cordon pour transporter, tirer ou débrancher l'outil électrique. Éloignez le cordon de toute source de chaleur, de bordures coupantes, de l'huile et de toute pièce mobile.** Un cordon endommagé ou entremêlé augmente les risques de décharges électriques.
- Si vous faites fonctionner l'outil électrique à l'extérieur, utilisez une rallonge conçue pour cette fin.** L'utilisation d'un cordon conçu pour l'extérieur réduit les risques de décharges électriques.
- Si vous faites fonctionner l'outil électrique dans un endroit mouillé, veillez à utiliser un circuit protégé avec un disjoncteur différentiel de fuite à la terre (DDFT).** L'utilisation d'un DDFT réduit les risques de décharges électriques.

## 3. Sécurité personnelle

- Restez vigilant et attentif à ce que vous faites et faites preuve de bon jugement lorsque vous utilisez un outil électrique. N'utilisez pas l'outil électrique si vous êtes fatigué ou sous l'influence de drogues, d'alcool ou de médicaments.** Un moment d'inattention lors de l'utilisation d'outils électriques peut entraîner des blessures graves.
- Utilisez des équipements de protection. Portez toujours des lunettes de sécurité.** Les équipements de protection tels que les masques antipoussières, les chaussures antidérapantes, les casques de sécurité et les bouchons pour les oreilles, réduisent les risques de blessures corporelles.
- Évitez le démarrage accidentel. Veillez à ce que l'interrupteur soit à la position d'arrêt avant de brancher l'outil électrique à la source d'alimentation transporter.** Des accidents peuvent se produire si vous transportez des outils électriques lorsque votre doigt est sur l'interrupteur ou s'il est sous tension.
- Retirez toute clé de serrage ou de réglage avant de mettre l'outil électrique sous tension.** Une clé de serrage ou de réglage attachée à une pièce rotative peut entraîner des blessures corporelles.
- Ne vous étirez pas. Gardez votre équilibre en tout temps.** Ceci permet un meilleur contrôle de l'outil électrique dans le cas d'un événement inattendu.
- Portez des vêtements appropriés. Ne portez pas des vêtements amples ou des bijoux. Maintenez les cheveux, les vêtements et les bijoux loin des pièces rotatives.** Les vêtements amples, les bijoux et les cheveux longs peuvent être pris dans les pièces rotatives.
- Veillez à ce que les dispositifs fournis pour la récupération et la collecte de poussières soient bien connectés et utilisés adéquatement.** L'utilisation d'un système de collecte de poussière réduit les dangers associés.
- L'utilisation fréquente de l'outil ne doit pas faire place à la complaisance et au non-respect des principes de sécurité.** La négligence en une fraction de seconde peut causer des blessures graves.
- Ne jamais reposer sur l'outil.** Des blessures graves peuvent survenir si l'outil est pointé ou si l'outil de coupe est contacté de manière non intentionnelle.

## 4. Fonctionnement et entretien de l'outil électrique

- Ne forcez pas l'outil électrique. Utilisez l'outil électrique approprié pour votre application.** L'outil électrique approprié fera le travail plus efficacement et de manière plus sécuritaire au rythme pour lequel il est conçu.
- N'utilisez pas l'outil électrique si l'interrupteur ne fonctionne plus.** Tout outil électrique dont l'interrupteur ne fonctionne plus devient dangereux et doit être réparé immédiatement.
- Débranchez l'outil électrique de la source d'alimentation ou retirez le bloc-piles avant d'effectuer tout réglage, de changer un accessoire ou d'entreposer l'outil électrique.** Ces mesures de sécurité préventive réduisent les risques de démarrage accidentel de l'outil électrique.

- d. **Gardez les outils électriques hors tension loin de la portée des enfants et ne permettez pas à des personnes qui ne connaissent pas l'outil électrique ou les instructions présentes de faire fonctionner l'outil.** Les outils électriques sont dangereux entre les mains d'une personne non formée.
- e. **Prenez soin des outils et leurs accessoires. Veillez à ce que les pièces rotatives ne soient pas désalignées et qu'elles ne se coincent pas, qu'aucune pièce n'est brisée ainsi que toute condition qui affecte le fonctionnement de l'outil électrique est absente. N'utilisez pas un outil électrique endommagé et faites-le réparer immédiatement.** Plusieurs accidents sont causés par des outils électriques mal entretenus.
- f. **Maintenez les outils de coupe bien aiguisés et propres.** Les outils de coupe bien entretenus avec des lames aiguisées sont moins susceptibles de coincer et sont plus faciles à manier.
- g. **Utilisez l'outil électrique, les mèches, les accessoires, etc. conformément aux présentes instructions en prenant en considération l'environnement et le travail à être effectué.** L'utilisation de l'outil électrique pour des fins autres que pour lesquelles il est conçu peut entraîner des situations dangereuses.
- h. **Gardez les poignées et les surfaces de saisie sèches, propres et exemptes d'huile ou de gras.** Les poignées et les surfaces de saisie glissantes ne permettent pas une manipulation et un contrôle sécuritaires de l'outil en cas d'événement inattendu.

## 5. Entretien

- a. **Demandez à un technicien qualifié d'entretenir votre outil électrique en utilisant des pièces de rechange identiques.** Ceci assure le maintien de la sécurité de l'outil électrique.

# AVERTISSEMENT DE LA PROPOSITION 65 :

**⚠ AVERTISSEMENT :** Des poussières créées par le ponçage, sciage, meulage, perçage et autres opérations de construction contiennent des produits chimiques reconnus par l'État de la Californie pour causer le cancer, des malformations congénitales ou autres problèmes de reproduction. Quelques exemples de ces produits chimiques sont :

- le plomb des peintures à base de plomb
- La silice cristalline des briques et du ciment et autre produit de maçonnerie
- L'arsenic et le chrome dans les bois traités chimiquement

Votre risque à l'exposition de ces produits varie en fonction de la fréquence de ce type de travail. Pour réduire votre exposition à ces produits chimiques : travaillez dans un endroit bien aéré et utilisez des équipements de sécurité approuvés tels que des masques de protection spécialement conçus pour filtrer les particules microscopiques.

# RÈGLES DE SÉCURITÉ DE LA SCIE À ONGLETS

## 1. Instructions de sécurité pour la scie à onglets

- a. **Les scies à onglets sont conçues pour couper le bois ou un matériel semblable et ne doivent pas être utilisées avec des meules à tronçonner abrasives pour découper des matériaux ferreux comme les barres, les tiges et les poteaux.** Les poussières abrasives provoquent le blocage des pièces mobiles telles que le protège-lame inférieur. Les étincelles générées par une découpe abrasive brûleront le protège-lame inférieur, la garniture du trait de scie et les pièces en plastique.
- b. **Utilisez un étau pour fixer la pièce lorsque cela est possible. Si vous soutenez la pièce avec la main, vous devez toujours garder vos mains à une distance minimale de 100 mm de chaque côté de la lame. N'utilisez pas la scie pour couper des pièces trop petites qui ne peuvent pas être fixées avec un étau ou tenues avec les mains de façon sécuritaire.** Les risques de blessure augmentent si votre main est placée trop près de la lame de la scie.
- c. **La pièce doit être immobile et fixée ou tenue contre le guide et la table. N'avancez pas la pièce vers la scie ou découpez avec les « mains libres ».** Une pièce mobile ou non attachée peut être projetée à grande vitesse et causer des blessures graves.
- d. **Poussez la scie à travers la pièce. Ne tirez pas la scie vers la pièce pour effectuer une coupe; soulevez la tête de la scie et tirez-la vers l'extérieur au-dessus de la pièce sans couper, démarrez le moteur, appuyez la tête vers le bas et poussez la scie à travers la pièce.** Une coupe en tirant fera sauter la lame de la scie par dessus la pièce pour la projeter violemment vers l'utilisateur.
- e. **Ne croisez jamais vos mains par-dessus la ligne de coupe que ce soit en avant ou en arrière de la lame.** Il est dangereux de tenir la pièce avec les « mains croisées », c'est-à-dire tenir la pièce avec la main droite du côté gauche de la lame et vice versa.
- f. **Ne vous étendez pas en arrière du guide avec vos mains à moins de 100 mm de la lame pour enlever des morceaux de bois ou pour toute autre raison lorsque la lame tourne.** La proximité de vos mains de la lame qui tourne peut ne pas être évidente et vous pouvez vous blesser gravement.
- g. **Vérifiez la pièce avant de la couper. Si la pièce est arquée ou gauchie, fixez-la avec l'étau avec l'extérieur de la courbure vers le guide. Veillez qu'il n'y ait jamais d'écart entre la pièce, le guide et la table le long de la ligne de coupe.** Les pièces déformées ou gauchies peuvent tourner ou dévier causant ainsi le coincement de la lame lors de la coupe. Aucun clou ou autre objet ne doit être présent sur la pièce.
- h. **N'utilisez pas la scie avant de dégager la table de tout outil, objet, morceau de bois, etc., sauf évidemment la pièce.** Les petits débris, morceaux de bois ou autres objets qui touchent à la lame tournante peuvent être projetés à grande vitesse.
- i. **Coupez une pièce à la fois.** Les pièces empilées ne peuvent pas être fixées adéquatement et peuvent coincer la lame ou dévier pendant la coupe.
- j. **Veillez à ce que la scie à onglets soit installée sur une surface solide et à niveau avant de l'utiliser.** Une surface solide et à niveau réduit le risque d'instabilité de la scie à onglets.



# RÈGLES DE SÉCURITÉ DE LA SCIE À ONGLETS

- k. **Planifiez votre travail.** À chaque fois que vous modifiez l'angle du biseau ou de l'onglet, assurez-vous que le guide ajustable est réglé correctement pour soutenir la pièce et qu'il n'interférera pas avec la lame ou le système de protection. Sans mettre l'outil sous tension et sans pièce sur la table, simulez un cycle complet de coupe afin de vous assurer qu'il n'y a aucune interférence ou danger associé.
- l. **Ayez à votre disposition un soutien adéquat tel que des rallonges de table ou un chevalet pour les pièces plus grandes que la surface de la table.** Les pièces plus grandes que la table de la scie à onglets peuvent basculer si elles ne sont pas soutenues de façon sécuritaire. Si la pièce bascule, elle peut soulever le protège-lame ou être projetée par la lame tournante.
- m. **Ne demandez pas à une autre personne de soutenir la pièce au lieu d'une rallonge.** Un soutien instable de la pièce peut causer le pincement de la lame ou la déviation de la pièce pendant la coupe pour vous attirer ainsi que votre aide vers la lame tournante.
- n. **La pièce de découpe ne doit jamais être coincée ou appuyée contre la lame tournante de la scie.** Si confinée (c'est à dire, en utilisant les butées de longueur), la pièce de coupe peut être coincée par la lame et projetée violemment.
- o. **Utilisez toujours un étau ou des pinces conçus pour fixer des pièces rondes comme des bâtons ou des tuyaux.** Les bâtons ont tendance à tourner pendant la coupe causant ainsi la lame de « mordre » et d'attirer la pièce avec votre main vers la lame.
- p. **Laissez la lame atteindre sa pleine vitesse avant qu'elle touche la pièce.** Ceci réduira le risque de l'éjection de la pièce
- q. **Si la pièce ou la lame est coincée, mettez la scie à onglets hors tension. Attendez que toutes les pièces mobiles soient arrêtées avant de débrancher la fiche de la source d'alimentation ou d'enlever le bloc-piles. Essayez par la suite de libérer la pièce coincée.** La poursuite de la coupe avec la pièce toujours coincée peut causer la perte de contrôle ou des dommages à la scie à onglets.
- r. **Après avoir effectué la coupe, relâchez le commutateur, maintenez la scie basse jusqu'à l'arrêt complet de la lame avant de retirer la pièce.** Il est dangereux d'approcher votre main de la lame tournante.
- s. **Maintenez la poignée fermement lorsque vous effectuez une coupe incomplète ou lorsque vous relâchez le commutateur avant que la tête de la scie soit complètement en position.** L'action de freinage de la scie peut entraîner la scie soudainement vers le bas créant ainsi un risque de blessure.
- t. **La goupille de verrouillage de scie est destinée uniquement au stockage et au transport.** Cette scie ne doit jamais être verrouillée en position basse tout en faisant des coupures.
- u. **N'utilisez pas la scie sans garde en place.**

## CONSERVEZ CES DIRECTIVES.

Consultez souvent ces directives et utilisez-les pour informer les autres.

Si vous prêtez cet appareil à quelqu'un, prêtez-lui aussi ces directives.

## BRANCHEMENTS D'ALIMENTATION

Un circuit électrique séparé doit être utilisé pour vos machines. Ce circuit ne doit pas être de calibre inférieur à un fil n° 12 Avant de brancher la machine à la ligne d'alimentation, assurez-vous que le commutateur est en position « ARRÊT » et que le courant électrique présente les mêmes caractéristiques que celles inscrites sur la machine. Toutes les connexions de la ligne doivent établir un bon contact. Le fonctionnement à basse tension endommage la machine.

**▲ DANGER:** NE PAS EXPOSER LA MACHINE À LA PLUIE NI UTILISER LA MACHINE DANS DES CONDITIONS HUMIDES.

Votre machine est câblée pour 120 volts, courant alternatif de 60 Hz. Avant de raccorder la machine à la source d'alimentation, assurez-vous que l'interrupteur est en position « ARRÊT ».

## DOUBLE ISOLATION

Cette machine est à double isolation. La double isolation est un concept de sécurité pour les outils électriques qui élimine le besoin du cordon d'alimentation habituel à trois fils avec mise à la terre. Toutes les pièces métalliques exposées sont isolées des composants métalliques internes du moteur avec une isolation protectrice. Les outils à double isolation ne nécessitent pas d'être mis à la terre.

**▲ AVERTISSEMENT :** Le système à double isolation est conçu pour protéger l'utilisateur contre les décharges électriques résultant d'une rupture de l'isolation interne de l'outil. Cependant, il est important d'observer les précautions normales pour éviter toute décharge électrique

**REMARQUE :** L'entretien d'un outil à double isolation nécessite un soin extrême et une connaissance du système et doit être effectué par un technicien qualifié. Pour les réparations, nous suggérons que vous retourniez l'outil au centre de service autorisé le plus proche. Lors de la réparation, n'utilisez que des pièces de rechange identiques.

# BRANCHEMENTS D'ALIMENTATION

## BRANCHEMENT ÉLECTRIQUE

Cet outil dispose d'un moteur électrique de précision. Il doit être branché à une ALIMENTATION DE 120 VOLTS, 60 HZ, CA SEULEMENT (COURANT RÉSIDENTIEL NORMAL). Ne faites pas fonctionner cet outil sur courant continu (CC). Une chute de tension importante causerait une perte de puissance et le moteur surchaufferait. Si l'outil ne fonctionne pas lorsqu'il est branché sur une prise, vérifiez l'alimentation électrique.

## FICHES POLARISÉES

Pour réduire le risque d'électrocution, cet équipement possède une fiche polarisée (une lame est plus large que l'autre). Cette fiche ne s'insère dans une prise polarisée que dans un sens. Si vous n'arrivez pas à insérer entièrement la fiche dans la prise, branchez-la dans l'autre sens. Si elle n'entre toujours pas, contactez un électricien qualifié pour installer une prise polarisée. Ne modifiez pas la fiche en aucune façon.

## RALLONGES

Lorsque vous utilisez un outil électrique à une distance considérable d'une source de puissance, n'oubliez pas d'utiliser une rallonge électrique qui a la capacité de fournir le courant que l'outil nécessite. Un cordon de calibre faible provoquera une chute de tension dans la ligne, entraînant une surchauffe et une perte d'alimentation. Utilisez le tableau pour déterminer le calibre minimal requis pour une rallonge. Utilisez uniquement les câbles à gaine ronde homologués par Underwriters Laboratories (UL).

**REMARQUE :** Avant d'utiliser une rallonge, inspectez-la pour vous assurer qu'il n'y a pas de fils lâches ou exposés et que l'isolation n'est pas coupée ou usée.

**⚠ AVERTISSEMENT :** Gardez la rallonge éloignée de la zone de travail. Placez le cordon de façon à ce qu'il ne soit pas coincé sur du bois, des outils ou d'autres obstructions pendant que vous travaillez avec un outil électrique. Ne pas le faire peut entraîner des blessures. Vérifiez les rallonges avant chaque utilisation. Remplacez toute rallonge endommagée immédiatement. N'utilisez jamais l'outil avec un cordon endommagé, car toucher la zone endommagée pourrait provoquer une décharge électrique entraînant des blessures graves.

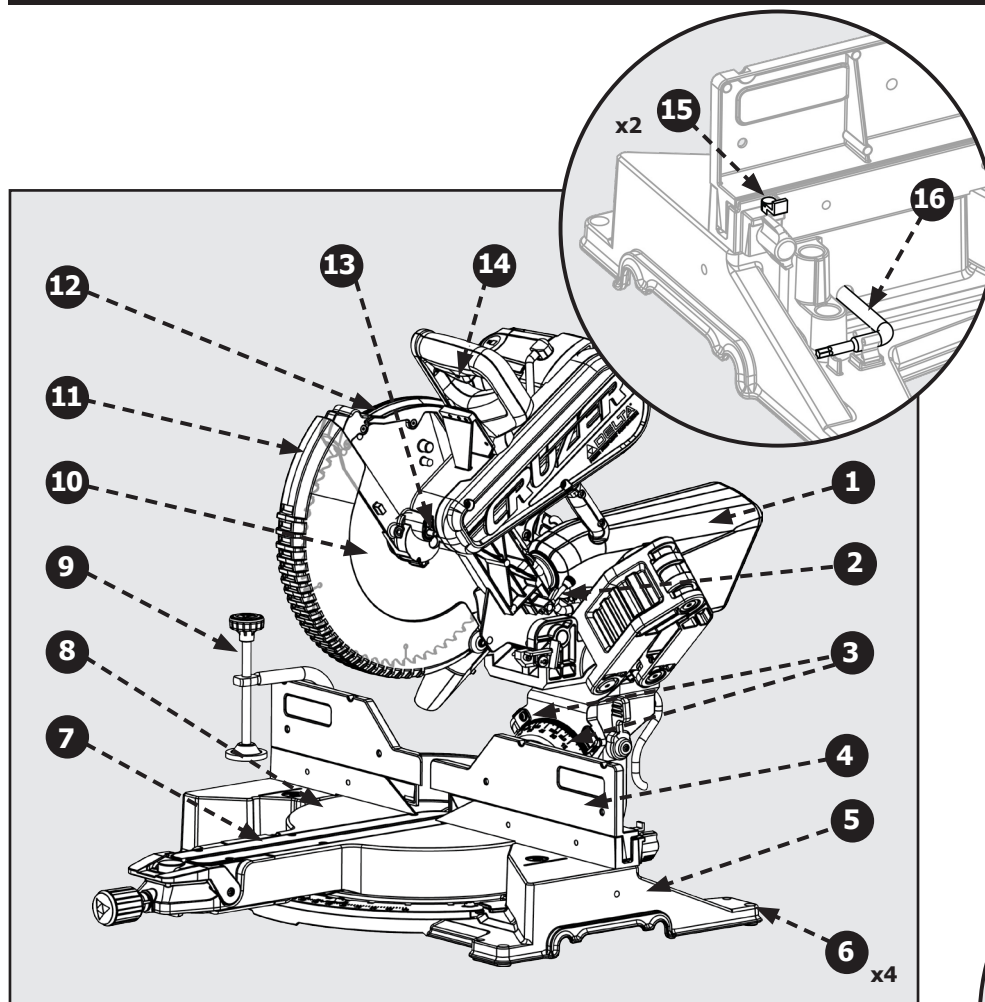
** Intensité nominale (au total sur la plaquette des données)	
12 A à 16 A	
Longueur du cordon	Calibre du fil
25 pi	14 AWG
50 pi	12 AWG
** Utilisé sur un circuit de calibre 12 de 20 ampères	
REMARQUE : AWG = calibre américain des fils	

# FONCTIONS

## Spécifications du produit

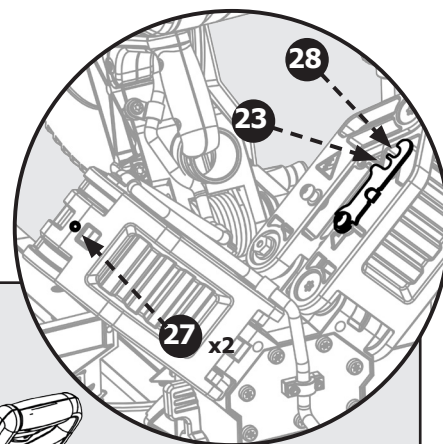
Capacité de coupe (Tailles nominales maximales du bois)	Onglet 0°/biseau 0° : Capacité étendue 4 po x 14 po (2 x 18 po) Onglet 45°/biseau 0° : 4 po x 10 po Onglet 0°/biseau 45° : 2 po x 14 po Onglet 45°/biseau 45° : 2 po x 10 po
Plateau (vertical)	6,5 po
Couronne (emboîtée verticalement)	7,5 po
Poids net	57 lb
Entrée	120 V ~, 60 Hz, 15 ampères
Diamètre de l'arbre	1 po
Diamètre extérieur	12 po
Vitesse sans charge	4 000 tr/min (RPM)

# FONCTIONS



1. Sac à poussières
2. Butée de profondeur
3. Échelle et pointeur du biseau (2x)
4. Guide coulissant
5. Base
6. Trous de montage (4x)
7. Passe-lame
8. Table de travail
9. Étau
10. Lame
11. Protège-lame inférieur
12. Protège-lame supérieur
13. Verrouillage à broche
14. Commutateur avec trou de verrouillage
15. Soutien du guide arrière

Figure 1



16. Clé à six lobes
17. Bouton de détente de verrouillage/déverrouillage de l'onglet
18. Poignée de verrouillage/déverrouillage du biseau
19. Manette de blocage de l'onglet
20. Bouton de détente prioritaire de l'onglet
21. Échelle et pointeur de l'onglet
22. Loquet de détente du biseau (2x)
23. Verrouillage par glissement
24. Verrou de la tête
25. Poignée de transport
26. Capuchon de la brosse
27. Réglage de la glisse
28. Verrou de la position du plateau
29. Frein électrique (non illustré)

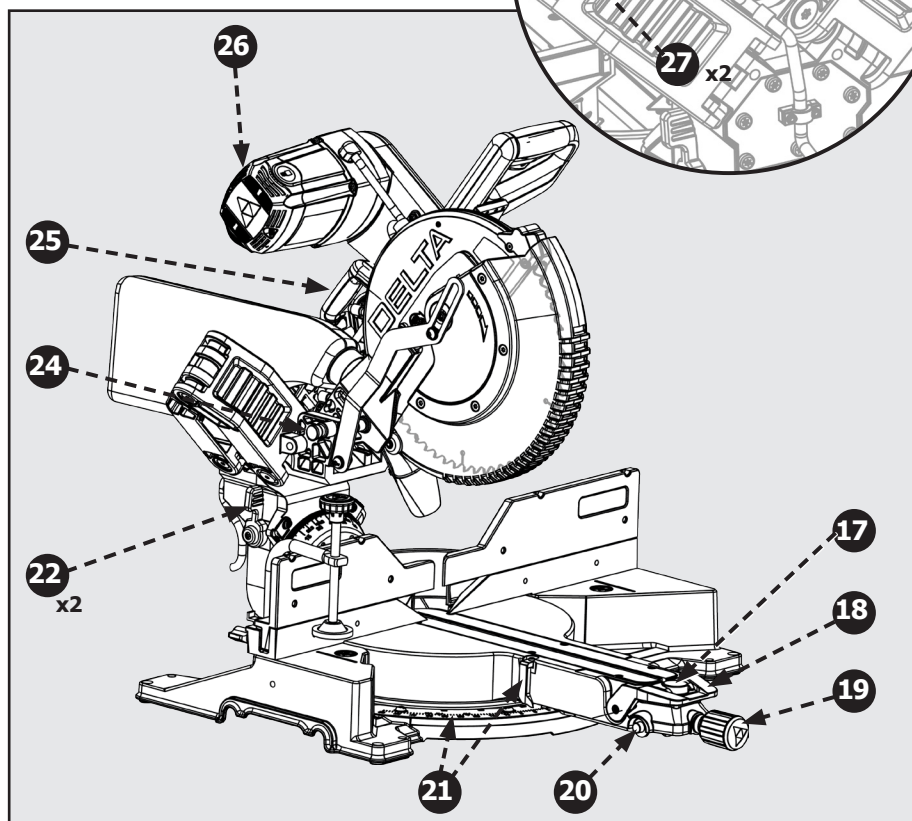


Figure 2

# FONCTIONS

## APPRENEZ À CONNAÎTRE VOTRE SCIE À ONGLETS COMBINÉE

- 1. Sac à poussières :** Le sac à poussières ramasse et contient les poussières du sciage pendant la coupe.
- 2. Butée de profondeur :** La plaque d'arrêt de profondeur peut être utilisée pour effectuer une coupe non traversante. La vis d'arrêt de profondeur permet le réglage de la profondeur de la coupe.
- 3. Échelle et pointeur du biseau :** Ils indiquent la position actuelle en biseau de la lame et ils sont réglables. Ceci permet un étalonnage précis de l'alignement de la lame.
- 4. Guide ajustable :** Le guide sert d'appui pour la pièce lors de toutes les coupes. La rallonge est ajustable.
- 5. Base :** Celle-ci soutient l'outil et est munie de trous de montage.
- 6. Trous de montage (4x) :** Ils vous permettent de fixer solidement l'outil sur une surface stable.
- 7. Passe-lame (plaque de trait de scie) :** La plaque de trait de scie soutient le dessous de la pièce de chaque côté de la lame afin de minimiser le détachement de la pièce.
- 8. Table de travail :** La grande table de travail robuste en aluminium moulé assure une surface de travail plane et solide.
- 9. Étau :** L'étau vertical aide à positionner et à fixer la pièce sur la table de travail. Il procure un fonctionnement sécuritaire et des coupes plus précises.
- 10. Lame :** Une lame de 12 pouces est fournie avec la scie à onglets.
- 11. Protège-lame :** Le protège-lame inférieur est fabriqué de plastique résistant aux chocs et transparent qui assure la protection de chaque côté de la lame.
- 12. Protège-lame supérieur :** Fabriqué en aluminium moulé, il protège l'utilisateur contre la lame.
- 13. Verrouillage à broche :** Enclenchez le verrouillage à broche lorsque vous remplacez la lame afin de maintenir la lame en position pendant que resserrez le boulon de la lame.
- 14. Commutateur et verrouillage de l'alimentation :** Cette scie est activée grâce à un commutateur manuel et facile à utiliser. Lorsqu'elle n'est pas en service, la scie doit être débranchée de l'alimentation et verrouillée en position à l'aide d'un cadenas inséré à travers le trou du commutateur.
- 15. Soutien du guide arrière :** Il offre du soutien à la pièce et une capacité supplémentaire de coupe lorsque le guide coulissant est enlevé.
- 16. Clé à six lobes :** Cette clé comporte deux tailles de six lobes et peut être utilisée pour retirer, installer ou remplacer la lame.
- 17. Bouton de détente de verrouillage/déverrouillage de l'onglet :** Ce bouton permet de relâcher le bras de l'onglet des butées fixes afin qu'il tourne librement.
- 18. Poignée de verrouillage/déverrouillage du biseau :** Cette manette verrouille l'angle de biseau de la lame fermement en place. Verrouillez en tout temps lorsque vous effectuez des coupes.
- 19. Manette de blocage de l'onglet :** Cette manette verrouille l'angle de l'onglet de la lame fermement en place. Verrouillez en tout temps lorsque vous effectuez des coupes.
- 20. Bouton de détente prioritaire de l'onglet :** Ce bouton garde la détente de l'onglet en position déverrouillée afin de permettre le mouvement libre du bras de l'onglet sans avoir à tenir le bouton de verrouillage/déverrouillage de la détente de l'onglet.
- 21. Échelle et pointeur de l'onglet :** Ils indiquent la position actuelle en onglet de la lame et ils sont réglables. Ceci permet un étalonnage précis de l'alignement de la lame.
- 22. Loquet de détente du biseau (2x) :** Ce loquet enclenche et relâche la goupille de détente du biseau afin de verrouiller l'angle du biseau dans une position de détente.
- 23. Verrou du glissement :** Il permet de verrouiller la tête de la scie pour le transport lorsqu'elle est en position la plus retirée.
- 24. Verrou de la tête :** Il permet de verrouiller la tête de la scie pour le transport lorsqu'elle est en position la plus basse.
- 25. Poignée de transport :** Utilisez-la pour transporter votre scie. Assurez-vous que les verrous de glissement et de la tête sont en place avant le transport.
- 26. Capuchon de la brosse :** Il permet l'accès aux brosses en carbone du moteur de la scie dans l'éventualité où elles doivent être vérifiées ou remplacées.
- 27. Réglage de la glisse :** Il règle la friction du mouvement de la tête de l'avant vers l'arrière.
- 28. Verrou de la position de la couronne :** En coupant une moulure couronnée, il peut être utile d'avoir recours cette fonction d'arrêt du glissement pour positionner la tête de la scie au point désiré pour des coupes couronnées optimales.
- 29. Frein électrique (non illustré) :** Il ralentit la vitesse de la lame rapidement lorsque le commutateur est relâché (éloigner la main du commutateur).

## DÉBALLAGE

### ENLÈVEMENT DU CONTENU DE LA BOÎTE

**⚠ AVERTISSEMENT :** Vérifiez la boîte d'emballage et la machine pour tout dommage avant de déballer. Retirez soigneusement les matériaux d'emballage, les pièces et la machine du carton d'emballage. Vérifiez bien s'il y a des matériaux de protection autour du moteur et des pièces mobiles et retirez-les. Posez toutes les pièces sur une surface de travail propre.

- Comparez les éléments aux chiffres de l'inventaire et vérifiez que tous les éléments sont présents avant de jeter le carton d'expédition. Pour signaler des pièces manquantes ou endommagées, veuillez appeler le service à la clientèle au 1-800-223-7278. Avant de monter et d'utiliser cet outil, lisez ce guide pour vous familiariser avec le montage, l'entretien et les procédures de sécurité.
- S'il manque une pièce quelconque, n'essayez pas de brancher le cordon d'alimentation et de mettre l'appareil sous tension. La scie ne doit être mise sous tension que si toutes les pièces ont été trouvées et correctement assemblées.
- Cette scie a été emballée et expédiée avec sa tête fixée en position basse en utilisant une attache en plastique. Pour enlever l'attache en plastique : poussez la tête de la scie vers le bas puis coupez l'attache en plastique. Consultez « Goupille de verrouillage de la tête de la scie » de la section « Préparations pour le transport » du présent manuel pour obtenir plus d'informations sur la manière d'utiliser la goupille de verrouillage de la tête de la scie.



# DÉBALLAGE

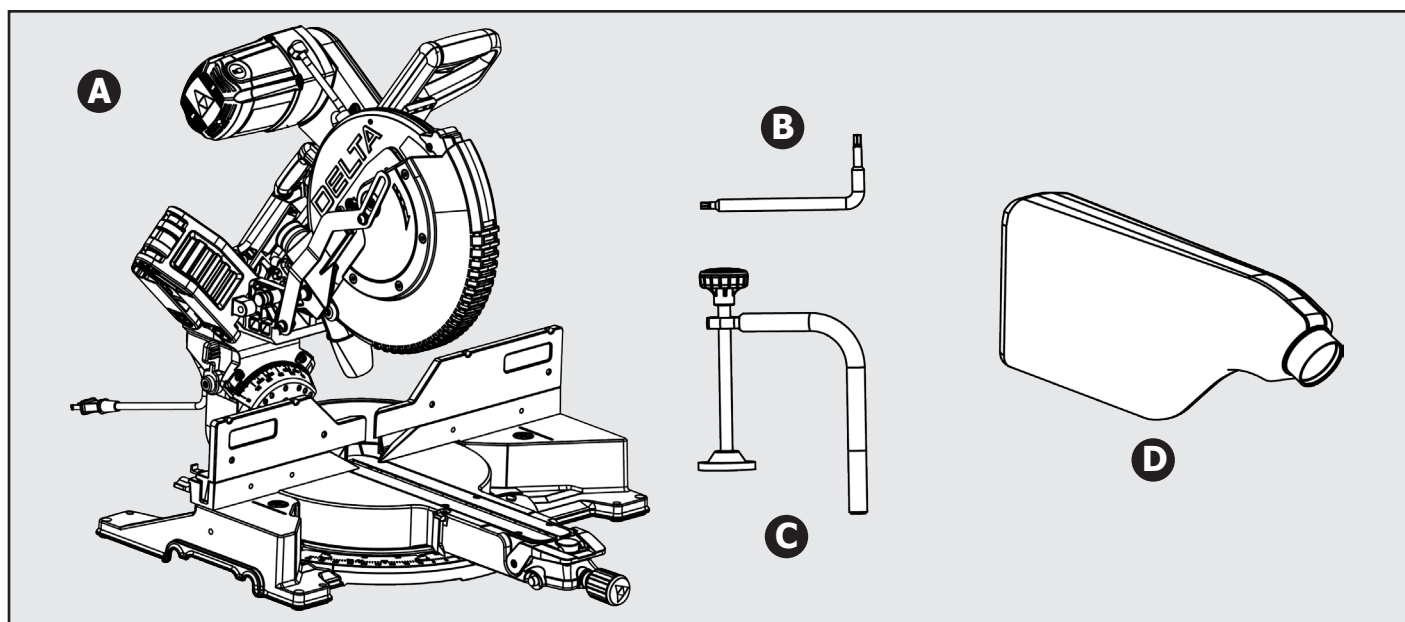


Figure 3

## LISTE DU CONTENU DE LA BOÎTE

- A. Delta Cruiser 26-2250
- B. Clé de lame

- C. Étau
- D. Sac à poussières

## ASSEMBLAGE ET TRANSPORT

**⚠ AVERTISSEMENT :** Avant de déplacer ou transporter votre scie, il est important de vous assurer que toutes les étapes suivantes sont exécutées afin de garantir des conditions sécuritaires pour le transport. Ne pas le faire peut entraîner des blessures.

**⚠ AVERTISSEMENT :**

- Mettez toujours la scie hors tension et débranchez-la avant de la transporter.
- Enroulez le cordon d'alimentation pour éviter les accidents pendant le transport.
- Soulevez toujours la scie en utilisant la force de vos jambes. Ne forcez jamais avec les muscles de votre dos pour soulever la scie.
- N'utilisez pas la poignée du commutateur ni le cordon d'alimentation pour soulever la scie.
- Placez toujours la scie sur une surface stable et plane avec un espace dégagé pour pouvoir manipuler et manœuvrer.

## PRÉPARATIONS POUR LE TRANSPORT

### GOUPILLE DE VERROUILLAGE DE LA TÊTE DE LA SCIE

Verrouillez toujours la tête de la scie en sa position la plus basse avant le transport. Pour enclencher la goupille de verrouillage de la tête de la scie (A) : Poussez la tête de la scie vers sa position basse puis insérez la goupille de verrouillage comme illustré dans la figure 4.

**⚠ AVERTISSEMENT :** La goupille de verrouillage de la tête de la scie doit servir pour l'entreposage et le transport uniquement. Cette scie ne doit jamais être verrouillée en position basse en effectuant des coupes.

### VERROU DE PRÉVENTION DU GLISSEMENT

Enclenchez toujours le verrou de prévention du glissement (B) avant de transporter la scie. Pour enclencher le verrou de prévention du glissement : Poussez la tête de la scie vers la position complètement retirée puis baissez la bielle de verrouillage comme illustré dans la figure 4.

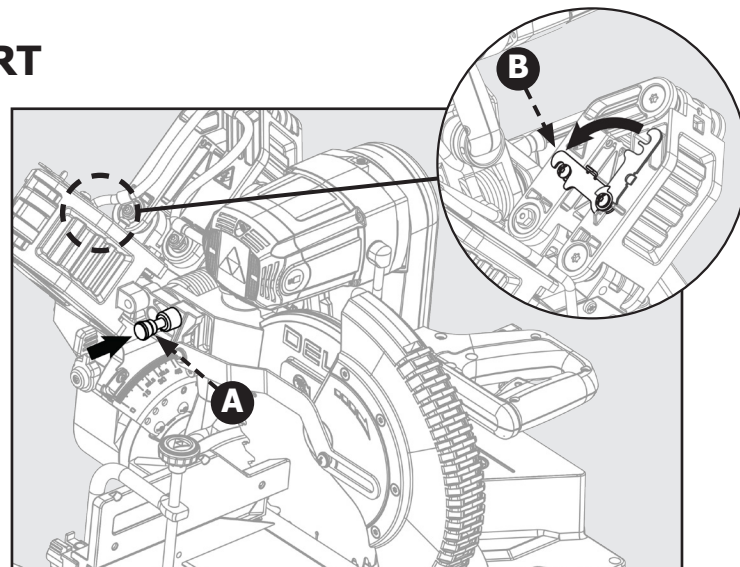


Figure 4

# ASSEMBLAGE ET TRANSPORT

## POIGNÉE DE TRANSPORT

Utilisez la poignée (A) intégrée pour le transport comme illustré dans la figure 5. Vous pouvez également soulever la scie à partir des échancrures (B) de chaque côté de la base de la scie comme illustré dans la figure 5.

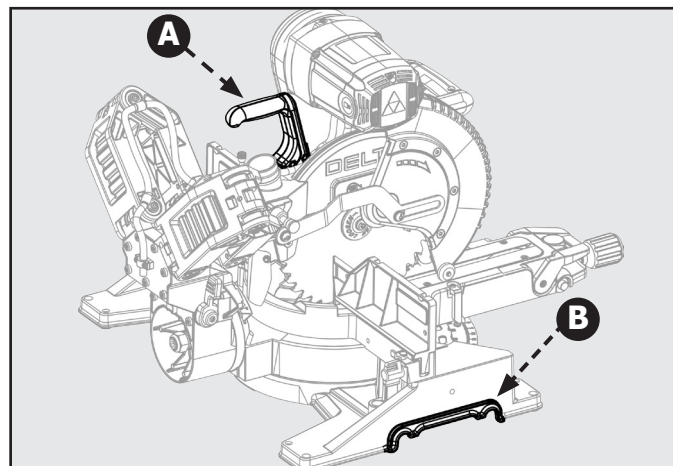


Figure 5

## MONTAGE DE LA SCIE SUR UNE SURFACE STABLE

**⚠ AVERTISSEMENT :** Pour assurer un fonctionnement sûr et précis, cette scie doit être montée sur une surface stable et plane comme un établi. Pour monter l'outil sur une surface stable, consultez la figure 6 et procédez comme suit :

1. Localisez les quatre trous de montage dans la base de la scie.
2. Fixez l'outil à la surface de montage à l'aide de boulons mécaniques de 3/8 de pouce de diamètre, de rondelles de frein et d'écrous hexagonaux (non inclus). Vérifiez que les boulons sont assez longs pour tenir compte de la base de la scie, des rondelles, des écrous hexagonaux et de l'épaisseur de l'établi.
3. Serrez solidement les quatre boulons.
4. Vérifiez que la scie est sécurisée avant l'opération.

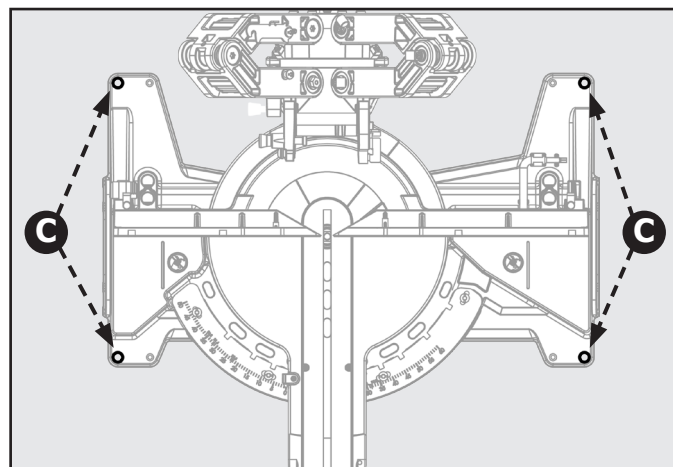


Figure 6

## MONTAGE

### OUTILS REQUIS

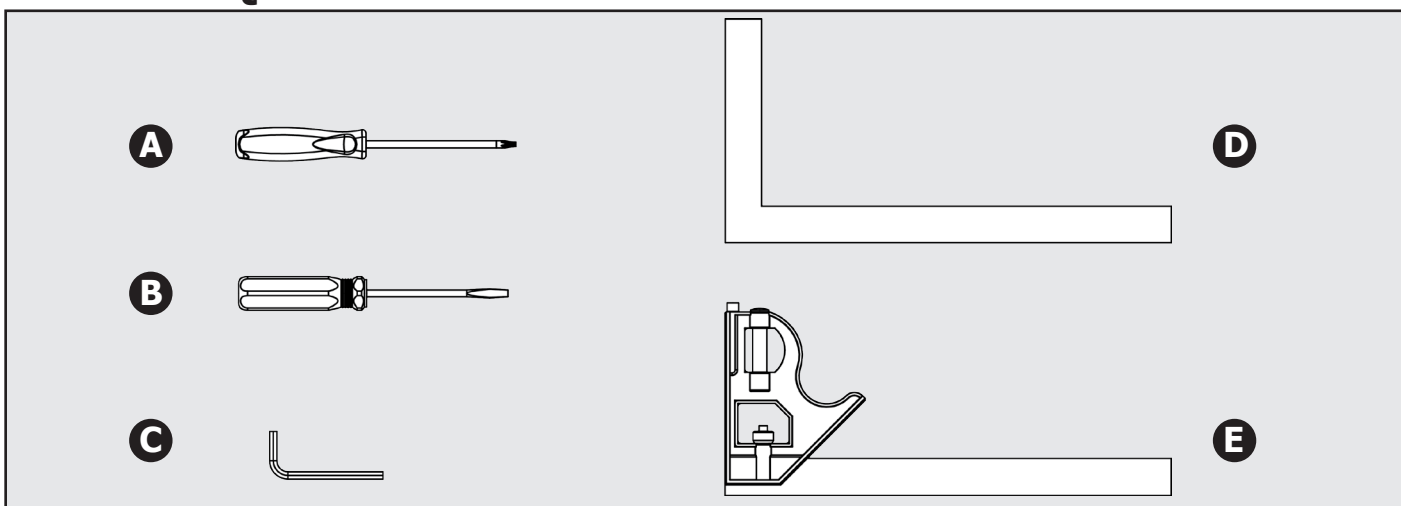


Figure 7

- A. Tournevis à six lobes T20  
B. Tournevis à tête plate  
C. Clé hexagonale 5 mm

- D. Équerre  
E. Équerre combinée

# MONTAGE

## ⚠ AVERTISSEMENT :

- N'essayez pas de modifier cet outil ou de créer des accessoires non recommandés pour cet outil. Toute modification de ce genre constitue une mauvaise utilisation et peut entraîner une situation dangereuse.
- Ne branchez pas l'outil sur l'alimentation avant que le montage ne soit terminé. Le non-respect de cette consigne peut entraîner un démarrage accidentel.
- Ne démarrez pas la scie à onglets sans vérifier s'il y a interférence entre la lame et le guide à onglets. La lame risque d'être endommagée si elle frappe le guide à onglets pendant le fonctionnement de la scie.
- La scie peut basculer si la tête de la scie est libérée soudainement et que la scie n'est pas fixée à la surface de travail. Fixez TOUJOURS cette scie sur une surface de travail stable avant toute utilisation.
- Si des pièces sont endommagées ou manquantes, n'utilisez pas cet outil tant que les pièces n'ont pas été remplacées. Veuillez appeler le service à la clientèle au 1-800-223-7278, pour obtenir des instructions.

## Étau

L'étau vertical maintient la pièce contre la table pour assurer une plus grande stabilité et il empêche la pièce de se déplacer vers la lame de la scie.

Pour installer l'étau vertical, consultez la figure 8 et procédez comme suit :

1. Placez la tige de l'étau (A) dans un trou ou l'autre (B) sur la base de l'onglet.
2. Tournez la manette (C) sur l'étau dans le sens horaire pour l'installation ou dans le sens antihoraire pour le retrait selon le cas.

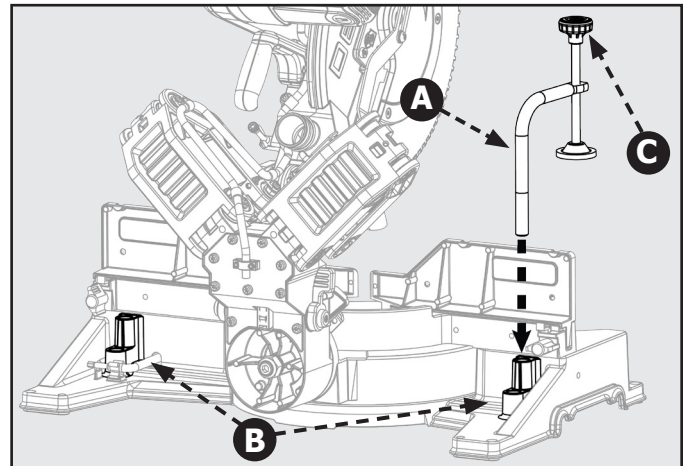


Figure 8

## SAC À POUSSIÈRES

L'outil comprend un sac à poussière (D) qui s'attache par-dessus l'orifice d'échappement sur le protège-lame supérieur. Faites glisser le collier en plastique de la sortie d'échappement en arrière de la tête de la scie. Voir figure 9

**REMARQUE :** Pour enlever le sac à poussière pour le vider, il suffit d'inverser la procédure ci-dessus.

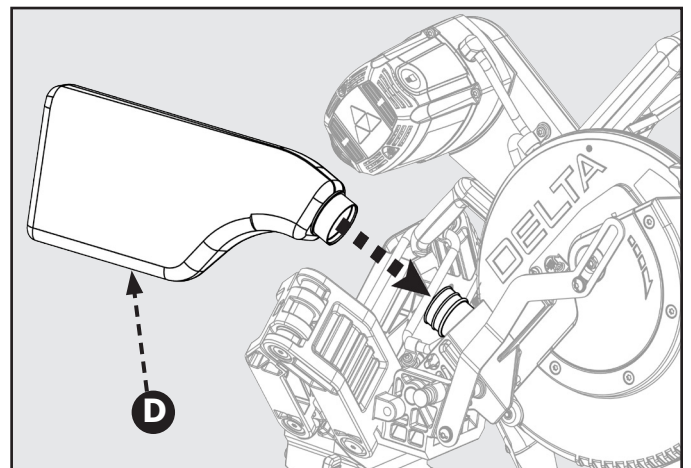


Figure 9

# MONTAGE

## INSTALLER/ENLEVER/REPLACER LA LAME

**⚠ AVERTISSEMENT :** Une lame de 12 pouces est la capacité maximale de lame de la scie. Des lames plus grandes entreraient en contact avec les protège-lames.

Reportez-vous à la figure 10.

1. Assurez-vous que la scie est débranchée.
2. Soulevez le bras de la scie à la position verticale.
3. Tournez le protège-lame inférieur (A) vers le haut. Desserrez légèrement la vis du couvercle du boulon de la lame (B) jusqu'à ce que vous puissiez déplacer le couvercle du boulon de la lame (C) vers le haut pour exposer le boulon de la lame (D).

Reportez-vous à la figure 11.

4. Si vous remplacez la lame, faites tourner la vieille lame avec précaution jusqu'à ce que la broche s'enclenche.
5. À l'aide de la clé pour lame fournie, retirez le boulon de la lame (D) en le tournant dans le sens horaire.

**REMARQUE :** Le boulon de la lame a un filetage gauche.

6. Ne retirez que la rondelle de lame extérieure (F) et la lame (G), laissant la rondelle de lame intérieure sur la broche.

**⚠ AVERTISSEMENT :** Si la rondelle de lame intérieure a été enlevée, remplacez-la avant de placer la lame sur la broche. Sinon, cela pourrait provoquer un accident, car la lame ne pourra pas être serrée correctement.

7. Appuyez sur le bouton de verrouillage à broche (E). Voir figure 12.
8. Insérez soigneusement la lame de scie à l'intérieur du protège-lame et guidez-la sur la broche, en vous assurant que les dents de la lame sont tournées vers le bas à l'avant de la scie.
9. Alignez les parties plates du double « D » de la rondelle de lame avec (F) les parties plates de la broche et installez la rondelle sur la broche.
10. Verrouillez la broche en appuyant sur le bouton de verrouillage de la broche. Vissez le boulon de la lame (D), sans oublier de l'enfiler dans le sens antihoraire. Fixez le boulon de la lame à l'aide de la clé pour lame fournie.

**⚠ AVERTISSEMENT :** Installez toujours la lame avec les dents de la lame et la flèche sur le côté de la lame pointant vers le bas à l'avant de la scie. Le sens de la rotation de la lame est également estampillé avec une flèche sur le protège-lame supérieur.

11. Remettez le couvercle du boulon de la lame en place et serrez la vis du couvercle du boulon de la lame de façon sécuritaire. Abaissez le protège-lame.
12. Soulevez et abaissez le bras de la scie pour vous assurer que le bras et le protège-lame se déplacent librement.

**⚠ AVERTISSEMENT :** Assurez-vous que le bouton de verrouillage de la broche n'est pas engagé avant de reconnecter la scie à la source d'alimentation. N'appuyez jamais sur le bouton de verrouillage de la broche pendant que la lame tourne.

**REMARQUE :** Certaines illustrations de ce guide n'indiquent que des parties de la scie. Ceci est fait afin de montrer plus clairement les zones et composants principaux de la scie. Ne faites jamais fonctionner la scie sans que toutes les protections soient solidement en place et en bon état de fonctionnement.

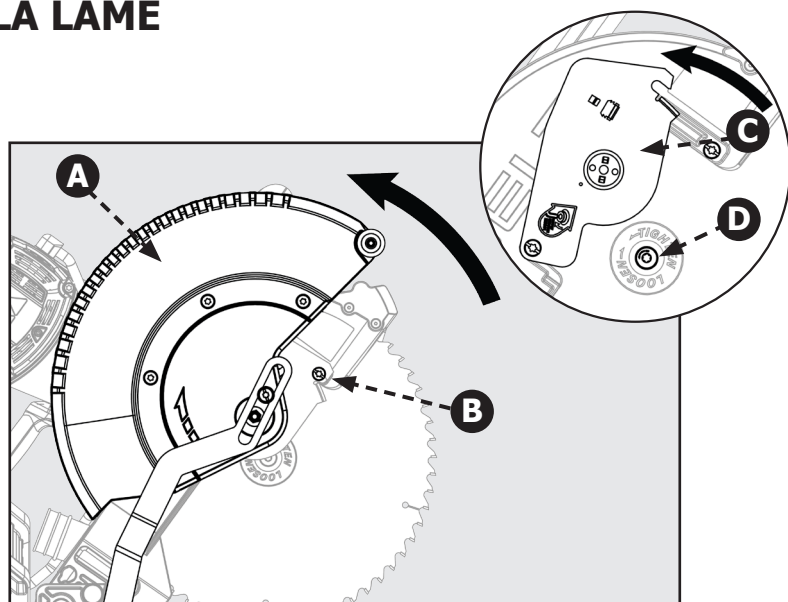


Figure 10

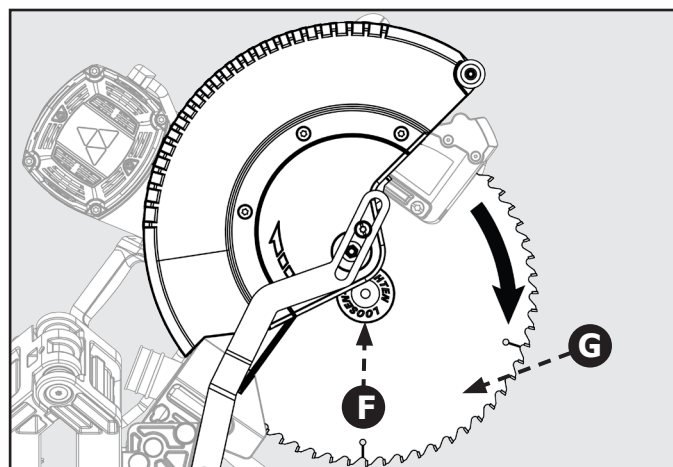


Figure 11

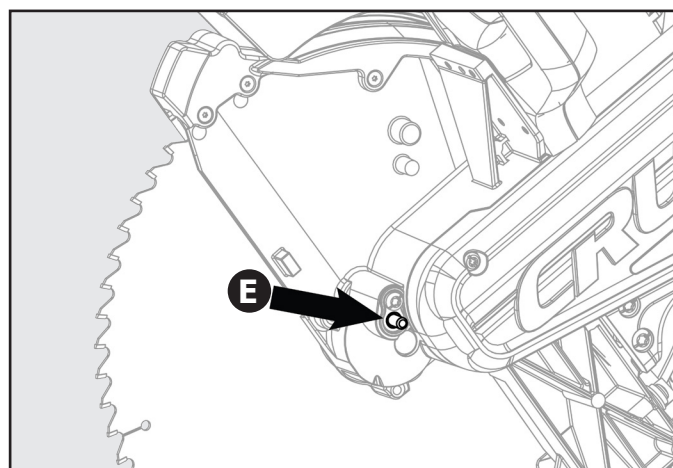


Figure 12



# UTILISATION

## ⚠ AVERTISSEMENT :

- Ne laissez pas la familiarité avec l'outil vous faire oublier la prudence. Rappelez-vous qu'une fraction de seconde d'imprudence est bien suffisante pour infliger une blessure personnelle grave.
- Portez toujours des lunettes de protection avec écrans latéraux et marqués pour se conformer à la norme ANSI Z87.1. Sinon, des objets peuvent être projetés dans les yeux, ce qui pourrait entraîner des blessures graves.
- N'utilisez pas d'équipements et accessoires non recommandés par le fabricant de cet outil. L'utilisation d'équipements ou d'accessoires non recommandés peut entraîner des blessures graves.
- Avant de commencer toute opération de coupe, fixez ou boulonnez la scie à onglets sur un établi. Ne faites jamais fonctionner la scie à onglets sur le sol ou dans une position accroupie. Le non-respect de cet avertissement peut entraîner des blessures.
- Pour éviter des blessures graves, serrez toujours la poignée de verrouillage d'onglet et la manette de verrouillage de biseau avant de réaliser une coupe. Ne pas le faire pourrait entraîner un mouvement du bras de commande ou de la table à onglets pendant la coupe.
- Pour éviter des blessures graves, gardez les mains hors de la zone interdite aux mains, à au moins 3 pouces de la lame. N'effectuez jamais d'opération de coupe à main levée (sans tenir la pièce contre le guide). La lame pourrait entraîner la pièce si elle glisse ou se tord.
- Lorsque vous utilisez un étau ou une presse en C pour fixer la pièce, serrez la pièce sur un côté de la lame seulement. La pièce doit rester libre d'un côté de la lame pour empêcher la lame de se fixer dans la pièce. Si la lame se fixait dans la pièce, cela provoquerait le calage du moteur et un rebond. Cette situation pourrait provoquer un accident entraînant des blessures graves.
- Ne déplacez JAMAIS la pièce ou ne faites aucun réglage de l'angle de coupe pendant que la scie est en marche et que la lame tourne. Tout glissement peut conduire au contact avec la lame, entraînant des blessures graves.

Vous pouvez utiliser cet outil pour les fins suivantes :

- Coupes en biseau et coupes combinées pour les moulures couronnées, etc.
- Coupe en travers du bois et du plastique.
- Coupe en travers pour moulures, encadrements de porte, cadres, etc.

## COUPE DE MATÉRIAU GAUCHI

Lorsque vous essayez de couper un matériau gauchi, la face CONVEXE doit être contre le guide comme illustré sur la figure 13.

Ne placez jamais un morceau de matériau gauchi avec la face ou le bord CONCAVE contre le guide, comme illustré à la figure 14. Cela coincera la lame vers la fin de la coupe.

**⚠ AVERTISSEMENT :** Pour éviter un effet de rebond et pour éviter des blessures sérieuses, ne placez jamais le bord concave du matériau courbé ou tordu contre le guide.

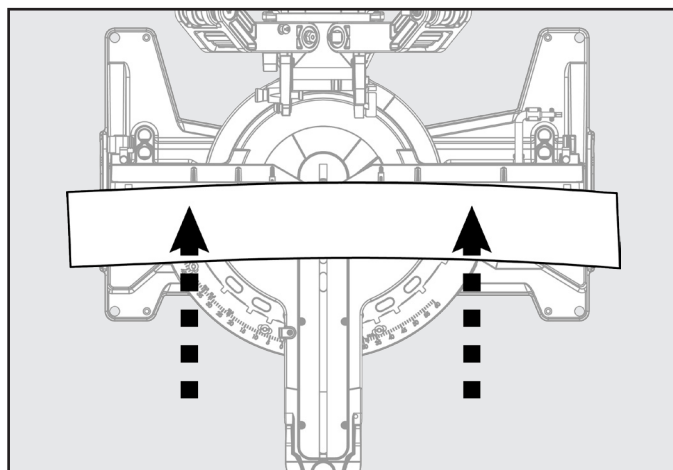


Figure 13

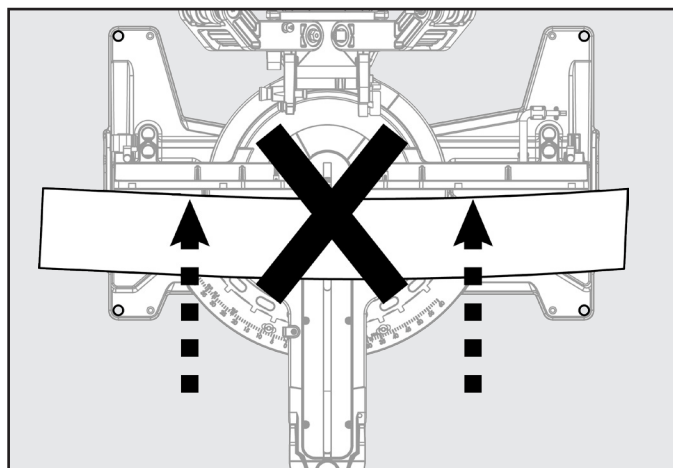


Figure 14

# UTILISATION

## SERRAGE DES GRANDES PIÈCES

Lors de la coupe de pièces larges, telles que 2 po X 12 po, serrez la pièce sur la table de travail à l'aide d'un étau (A) comme illustré à la figure 15.

**⚠ AVERTISSEMENT :** Gardez les étaux à l'écart de la trajectoire de l'assemblage lame et protège-lame.

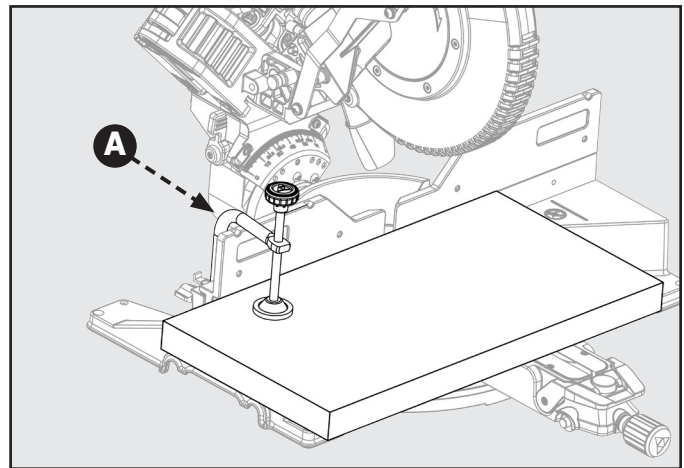


Figure 15

## SOUTIEN DES LONGUES PIÈCES

Dans la plupart des cas, les rallonges de table incluses (supports de pièce) suffiront pour supporter des pièces plus longues. Si celles-ci ne sont pas assez longues, la pièce doit être soutenue plus loin de la scie. Un support supplémentaire (B) peut être utilisé pour placer la pièce à plat sur la table de sciage. Utilisez l'étau inclus ou une presse en C (C) pour immobiliser la pièce sur la table de la scie à onglets. Voir figure 16.

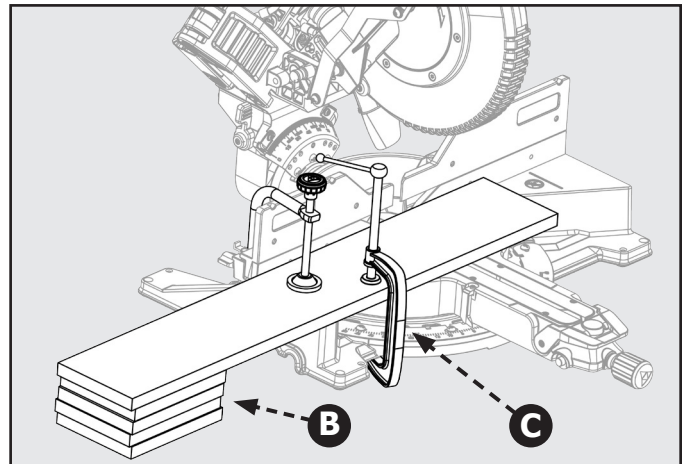


Figure 16

## VERROUILLAGE DU COMMUTATEUR

Pour empêcher les personnes non autorisées d'utiliser la scie, un cadenas (non compris) peut être installé dans l'orifice de verrouillage situé sur le commutateur, comme illustré à la figure 17. Assurez-vous que le cadenas est bien fermé avant de laisser la scie sans surveillance.

**⚠ AVERTISSEMENT :** Débranchez toujours le commutateur avant d'installer ou de retirer le cadenas du commutateur. Si vous ne prenez pas cette précaution, le commutateur pourrait s'enclencher accidentellement et éventuellement entraîner de blessures graves.

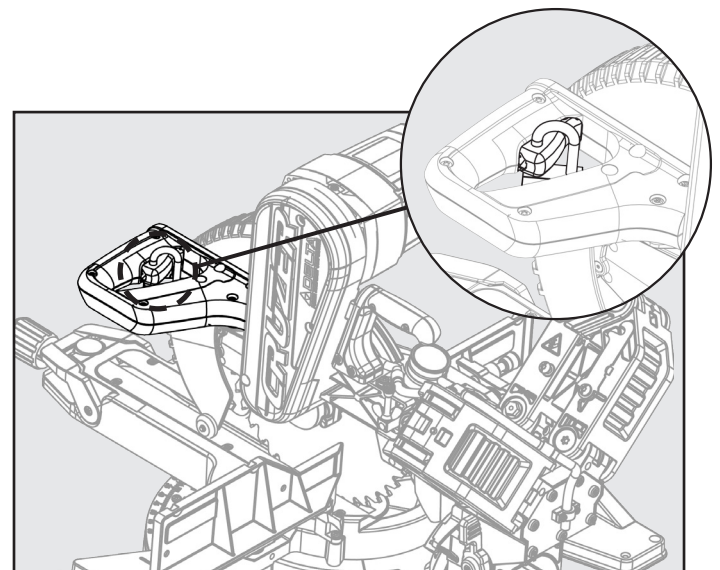


Figure 17

# UTILISATION

**⚠ AVERTISSEMENT :** Avant de mettre la scie sous tension, assurez-vous que la tête de la scie et la table ne toucheront pas l'étau et le guide pendant la coupe. Placez l'étau et le guide de manière à éviter le contact avec la tête de la scie à onglets.

## COUPES NON COULISSANTES

**⚠ AVERTISSEMENT :** Enclenchez toujours le verrou de prévention du glissement avant d'effectuer des coupes non coulissantes. Si ce verrou n'est pas enclenché, la tête de la scie pourrait se déplacer pendant la coupe.

### COUPE TRANSVERSALE

1. Voir figure 18
2. Pour utiliser cette scie comme une scie à onglets conventionnelle non coulissante, faites glisser la tête de la scie vers la position complètement retirée et enclenchez le verrou de prévention de glissement.
3. Desserrez la manette de verrouillage de l'onglet (A), utilisez votre pouce pour pousser le bouton de verrouillage de la détente de l'onglet (B) et réglez l'angle de l'onglet à 0°. Utilisez l'échelle (C) et l'indicateur (D) de l'onglet pour localiser la position du 0° de l'onglet.
4. Relâchez le bouton de détente de l'onglet (B) et serrez la manette de verrouillage de l'onglet (A). Assurez-vous que la scie est bien verrouillée en cette position.
5. Soulevez la tête de la scie vers la position HAUTE.
6. Positionnez la pièce afin qu'elle soit soutenue de façon sécuritaire par la table et le guide de la scie. Si la planche est gauchie, lisez et suivez les instructions du paragraphe « Coupe de matériau gauchi » de la section « Utilisation » du présent manuel.
7. Fixez la pièce à la table et contre le guide en utilisant l'étau fourni.
8. Avant de mettre la scie sous tension, effectuez une coupe simulée afin de vérifier l'alignement de la coupe. Assurez-vous également que la lame ne touchera pas l'étau fourni ni à un autre objet sauf la pièce.
9. Enclenchez le commutateur. Laissez la lame atteindre sa vitesse maximale.
10. Baissez la lame de la scie à travers la pièce.
11. Relâchez le commutateur et attendez que la lame arrête complètement avant de soulever la tête de la scie.

## POUR LES COUPES D'ONGLET

**⚠ AVERTISSEMENT :** Avant de mettre la scie sous tension, assurez-vous que la tête de la scie et la table ne toucheront pas l'étau et le guide pendant la coupe. Placez l'étau et le guide de manière à éviter le contact avec la tête de la scie à onglets.

**⚠ AVERTISSEMENT :** Serrez toujours la manette de verrouillage de l'onglet (E) avant chaque coupe. Le non-respect de cette consigne peut entraîner des blessures.

Voir figure 19

1. Suivez les instructions de la section précédente « Pour les coupes transversales » de ce manuel. Incluez les réglages suivants avant de couper.
2. Tournez le bras de l'onglet vers l'angle requis autre que 0°.

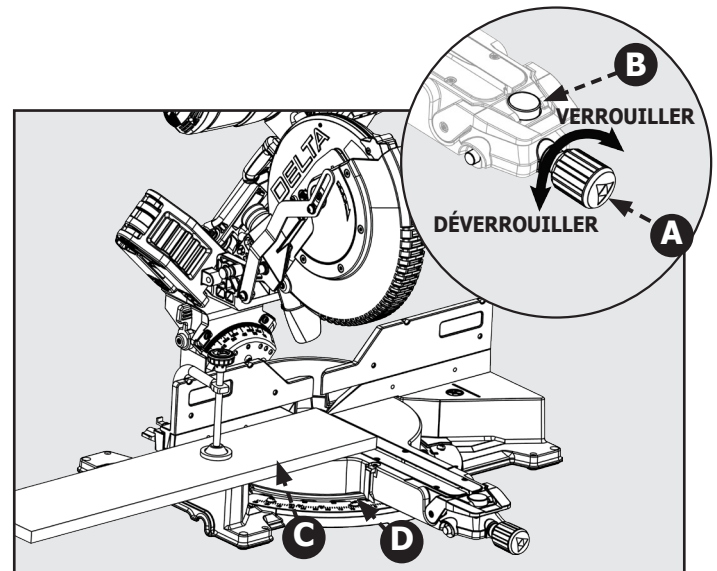


Figure 18

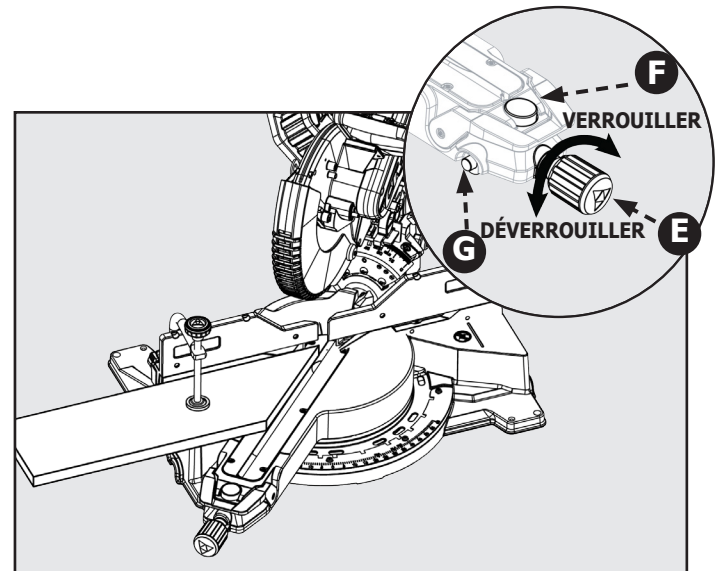


Figure 19

**REMARQUE :** Si la position requise de l'angle de l'onglet n'est pas fournie avec une des positions de détente de l'onglet de la butée fixe, vous pouvez utiliser le bouton de détente prioritaire de l'onglet (G). Pour enclencher la détente prioritaire de l'onglet, appuyez sur le bouton de détente prioritaire de l'onglet (F) et appuyez sur la détente prioritaire de l'onglet. Serrez la manette de verrouillage de l'onglet avant la coupe.

## POUR LES COUPES EN BISEAU

**⚠ AVERTISSEMENT :** Avant de mettre la scie sous tension, assurez-vous que la tête de la scie et la table ne toucheront pas l'étau et le guide pendant la coupe. Placez l'étau et le guide de manière à éviter le contact avec la tête de la scie à onglets.

**⚠ AVERTISSEMENT :** Verrouillez toujours la manette de verrouillage avant d'effectuer une coupe. Le non-respect de cette consigne peut entraîner des blessures.

Voir figure 20

1. Suivez les instructions de la section précédente « Pour les coupes transversales » de ce manuel. Incluez les réglages suivants avant de couper.
2. Desserrez la manette de verrouillage du guide (A), des côtés gauche et droit, et faites glisser le guide réglable (B) pour garder un espace approprié pour les coupes en biseau. Lorsque l'espace approprié est atteint, serrez la manette de verrouillage du guide.
3. Soulevez la poignée de verrouillage du biseau (C)
4. Tout en soutenant fermement la tête de la scie avec une main, poussez le levier du loquet du biseau (D) vers l'arrière et tournez la tête de la scie vers la gauche ou la droite jusqu'à l'angle requis.
5. Si vous utilisez une des positions de détente du biseau, assurez-vous que le levier du loquet du biseau et la détente du biseau sont verrouillés sur la plaque de la butée fixe.
6. Poussez la poignée de verrouillage du biseau vers le bas pour verrouiller la position de biseau.

**REMARQUE :** Si la position requise de l'angle du biseau n'est pas fournie avec une des positions de détente de biseau de la butée fixe, vous pouvez verrouiller la position en biseau à n'importe quel endroit en utilisant la poignée de verrou du biseau (C).

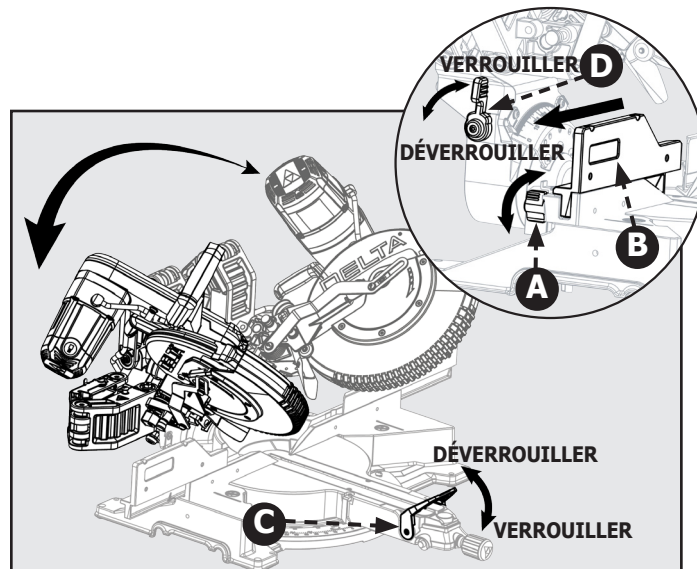


Figure 20

## POUR DES COUPES D'ONGLET COMBINÉES

**⚠ AVERTISSEMENT :** Avant de mettre la scie sous tension, assurez-vous que la tête de la scie et la table ne toucheront pas l'étau et le guide pendant la coupe. Placez l'étau et le guide de manière à éviter le contact avec la tête de la scie à onglets.

Voir figure 21

Une coupe en onglet combinée utilise une combinaison du réglage d'un angle de l'onglet et du réglage de l'angle du biseau. Réglez l'angle du biseau et celui de l'onglet en suivant les instructions ci-dessus des paragraphes « Pour les coupes en onglet » et « Pour les coupes en biseau » avant d'effectuer des « coupes transversales » selon les instructions ci-dessus.

**REMARQUE :** L'angle de l'onglet et celui du biseau sont indépendants l'un de l'autre. Si vous réglez un angle, l'autre sera modifié. Vérifiez toujours chaque angle après chaque réglage.

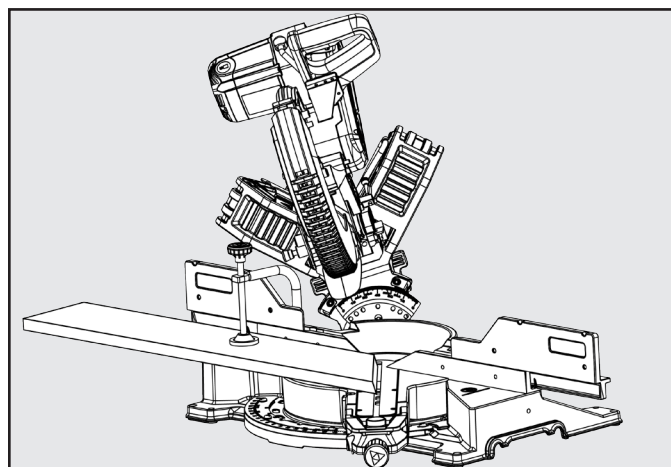


Figure 21



## Coupes en glissière

**⚠ AVERTISSEMENT :** Une coupe en glissière ne doit jamais être effectuée en tirant la scie vers vous. À cause de la direction de rotation, la lame de la scie pourrait sauter par-dessus la pièce et vers l'utilisateur. Le non-respect de cet avertissement peut entraîner des blessures.

**⚠ AVERTISSEMENT :** Avant de mettre la scie sous tension, assurez-vous que la tête de la scie et la table ne toucheront pas l'étau et le guide pendant la coupe. Placez l'étau et le guide de manière à éviter le contact avec la tête de la scie à onglets.

Voir figure 22

Afin de pouvoir utiliser cette scie pour effectuer des coupes en glissière, procédez selon les instructions ci-dessous. Les coupes en glissière doivent être effectuées uniquement en poussant la lame de scie loin de vous et vers l'arrière de la scie en terminant à la position arrière complètement RETIRÉE après chaque coupe. Consultez l'avertissement ci-dessus.

1. Assurez-vous que le verrou de prévention du glissement (B) la goupille de verrouillage de la tête (A) sont relâchés. Soulevez la tête de la scie vers la position HAUTE.
2. Positionnez la pièce afin qu'elle soit soutenue de façon sécuritaire par la table et le guide de la scie. Si la planche est gauchie, lisez et suivez les instructions du paragraphe « Coupe de matériau gauchi » de la section « Utilisation » du présent manuel.
3. Fixez la pièce à la table et contre le guide en utilisant l'étau fourni.
4. Avant de mettre la scie sous tension, effectuez une coupe simulée afin de vérifier l'alignement de la coupe. Assurez-vous également que la lame ne touchera pas l'étau fourni ni à un autre objet sauf la pièce.
5. Avant de mettre la scie sous tension, tirez le bras de la scie vers vous jusqu'à ce que la lame dépasse la bordure avant de la pièce ou jusqu'à ce que le bras de la scie soit complètement ÉTENDU. La tête de la scie doit être en position la plus HAUTE.
6. Enclenchez le commutateur. Laissez la lame atteindre sa vitesse maximale.
7. Baissez la lame de la scie à travers la pièce et poussez la tête de la scie vers sa position la plus RETIRÉE.
8. Relâchez le commutateur et attendez que la lame arrête complètement avant de soulever la tête de la scie.

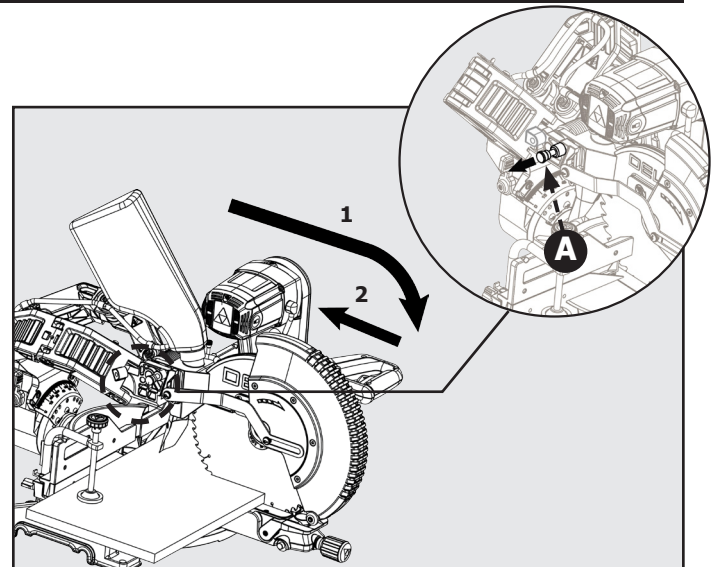


Figure 22

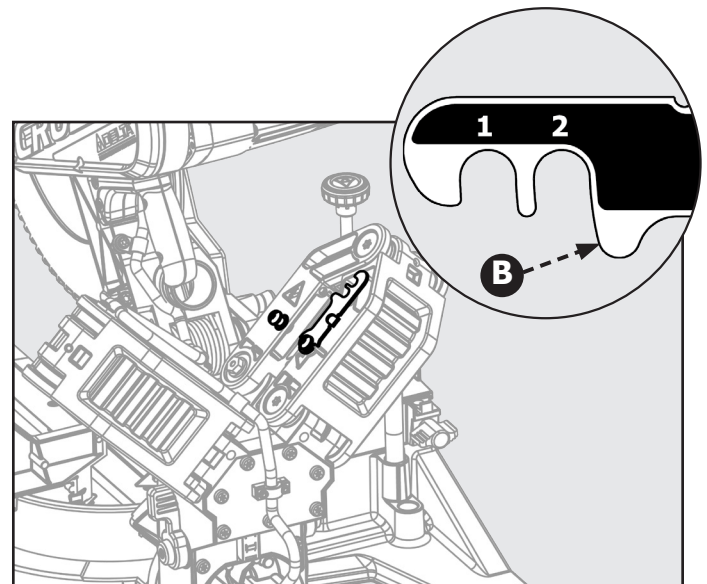


Figure 23

## CONSEILS POUR COUPE DE MOULURE COURONNÉE

- Les deux bords du moulage qui entrent en contact avec le plafond et le mur sont à des angles qui, lorsqu'ils sont ajoutés, font exactement 90°. La plupart des moulures couronnées ont un angle arrière supérieur (la section qui se place à plat contre le plafond) de 52° et un angle arrière inférieur (la section qui s'adapte à plat contre le mur) de 38°.
- Pour couper avec précision une moulure couronnée pour l'intérieur ou l'extérieur d'un coin de 90°, posez la moulure avec sa large surface arrière à plat sur la table d'onglet et contre le guide.
- Les angles des moulures couronnées doivent être très précis. Les angles de biseau et d'onglet sont interdépendants; changer un angle change également l'autre angle.
- Comme il est très facile pour la pièce de travail de se déplacer, tous les réglages doivent d'abord être testés sur des retailles de moulage. Aussi, la plupart des murs n'ont pas d'angle d'exactly 90°; par conséquent, vous devrez affiner vos paramètres.
- Lors de la coupe de moulures couronnées, l'angle de biseau devrait être fixé à 33,85°.
- L'angle d'onglet devrait être fixé à 31,62° soit droit ou gauche, en fonction de la coupe souhaitée pour l'application. Voir le tableau ci-dessous pour les réglages corrects des angles et le positionnement correct des moulures sur la table de travail.

# UTILISATION

Réglage de l'angle de biseau	Type de coupe	Étapes
33,85°	Côté gauche, coin intérieur	<ol style="list-style-type: none"> <li>Partie supérieure de la moulure contre le guide</li> <li>Table d'onglet réglée à 31,62° à droite</li> <li>Garder l'extrémité gauche de la coupe</li> </ol>
33,85°	Côté droit, coin intérieur	<ol style="list-style-type: none"> <li>Partie inférieure de la moulure contre le guide</li> <li>Table d'onglet réglée à 31,62° à gauche</li> <li>Garder l'extrémité gauche de la coupe</li> </ol>
33,85°	Côté gauche, coin extérieur	<ol style="list-style-type: none"> <li>Partie inférieure de la moulure contre le guide</li> <li>Table d'onglet réglée à 31,62° à gauche</li> <li>Garder l'extrémité droite de la coupe</li> </ol>
33,85°	Côté droit, coin extérieur	<ol style="list-style-type: none"> <li>Partie supérieure de la moulure contre le guide</li> <li>Table d'onglet réglée à 31,62° à droite</li> <li>Garder l'extrémité droite de la coupe</li> </ol>

## GUIDE AUXILIAIRE

Pour couper certaines pièces, vous aurez probablement besoin d'une plus grande surface de guide pour recevoir la pièce. Le guide auxiliaire doit être fabriqué avec du bois épais de 3/4 po. Utilisez les trous préalablement percés dans le guide pour attacher un guide auxiliaire.

**⚠ AVERTISSEMENT :** N'utilisez jamais un guide auxiliaire qui interfère avec la tête de la scie ou qui la touche. Vérifiez toujours l'espace libre entre le guide auxiliaire et la tête de la scie avant de couper.

**⚠ AVERTISSEMENT :** Pour effectuer des coupes en glissière avec un guide auxiliaire, une entaille doit être pratiquée dans le guide auxiliaire avant de l'attacher au guide de la scie.

**⚠ AVERTISSEMENT :** Le guide auxiliaire ne peut être utilisé que lorsque l'angle du biseau est 0°. Enlevez le guide auxiliaire avant d'effectuer une coupe en biseau.

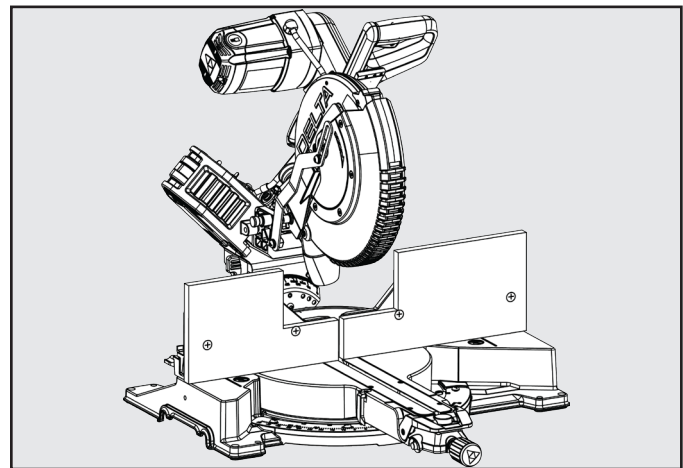


Figure 24

- Voir la figure 25 pour les dimensions du guide auxiliaire.
- Placez le bois du guide auxiliaire contre le guide de la scie à onglets. Voir figure 24. La hauteur maximale du bois ne doit pas dépasser 6,5 po. Assurez-vous que le guide auxiliaire ne touche pas à la tête de la scie lorsqu'elle est en sa position la PLUS BASSE ainsi que lorsqu'elle est en sa position la PLUS RETIRÉE.
- Marquez les endroits des trous en arrière de la planche du guide auxiliaire.
- Percez des trous aux endroits marqués complètement à travers le guide auxiliaire. Fraisez les trous percés en avant de la planche du guide auxiliaire.
- Attachez le guide auxiliaire avec des vis à tête plate. Fixez le guide en utilisant des rondelles plates et des écrous.
- Effectuez une coupe de plein profondeur à travers le guide auxiliaire pour former la fente de la lame.
- L'entaille illustrée dans la figure 25 doit être découpée afin de pouvoir effectuer des coupes en glissière en utilisant le guide auxiliaire.

### 4 Trous de montage

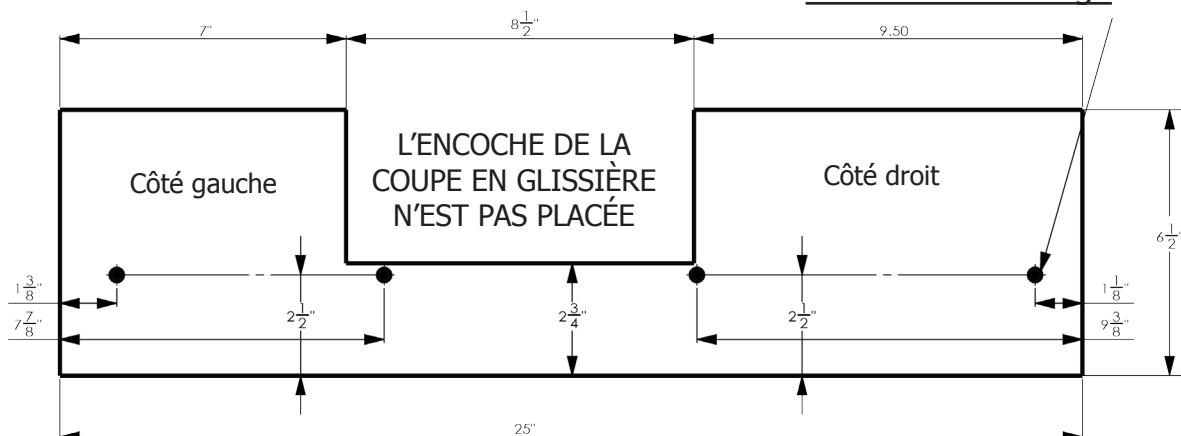


Figure 25

# UTILISATION

## AUGMENTER LA CAPACITÉ DE LA COUPE

Cette scie est conçue pour accepter des coupes de grande capacité allant jusqu'à (2 po x 18 po). Afin de pouvoir effectuer ces coupes, vous devez configurer votre scie adéquatement.

**⚠ AVERTISSEMENT :** N'utilisez pas une planche de table auxiliaire qui ne peut pas supporter toute la pièce pendant la coupe.

1. Desserrez la manette de verrouillage du guide (A). Faites glisser le guide supérieur (réglable) (B) complètement en dehors de son rail et placez-le latéralement. Voir figure 26.
2. Tournez les languettes de support (C) vers leur position. Les languettes (C) se trouvent sur les côtés gauche et droit du guide inférieur (fixe). Ils agissent comme butées arrière de votre pièce. Voir figure 28.
3. Vous devez ajouter une table auxiliaire (D) pour soutenir votre pièce surdimensionnée (E). Placez une planche de la table auxiliaire (D) de 2 po x 14 po sur la table de la scie et contre la section inférieure (fixe) du guide de la scie. Assurez-vous que la planche est fermement fixée contre le guide inférieur (fixe).

**REMARQUE :** Utilisez des vis de bois pour fixer la planche de la table auxiliaire (D). Voir figure 28.

4. Utilisez les languettes de soutien (C) pour fixer la pièce avant d'effectuer une coupe

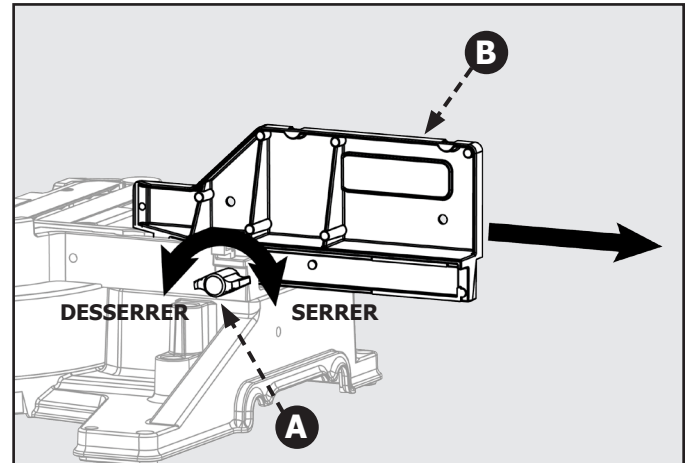


Figure 26

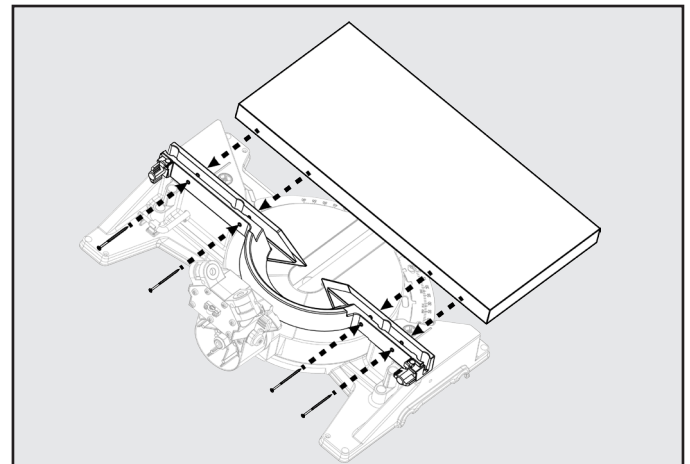


Figure 27

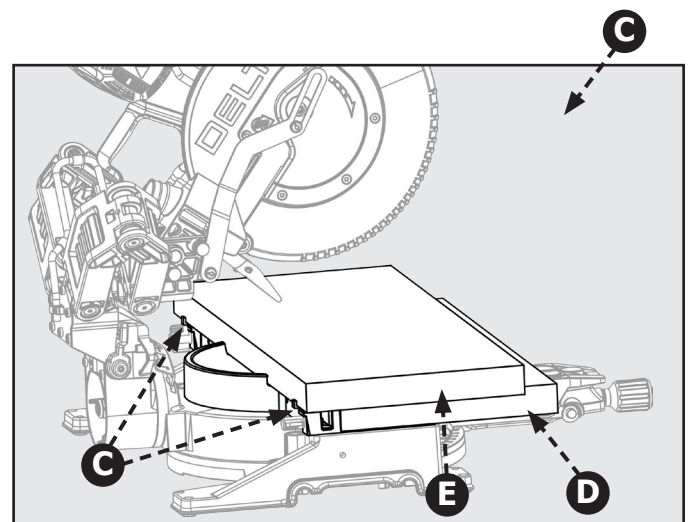


Figure 28

# RÉGLAGES

## ALIGNEMENT DE LA LAME AVEC LA TABLE

Votre scie a été étalonnée en usine pour des coupes franches. Avec le temps, l'étalonnage de la scie peut dévier et elle nécessitera un nouvel étalonnage.

Voir figure 29

1. Débranchez la scie
2. Abaissez la tête de la scie jusqu'à la position de transport et insérez la goupille de verrouillage de la tête de la scie pour la maintenir en place. Poussez la tête de la scie vers sa position complètement retirée et enclenchez le verrou de prévention du glissement pour la maintenir en place.
3. Réglez la position de l'onglet à 0° et enclenchez la manette de verrouillage de l'onglet afin que la table ne puisse pas bouger.
4. Réglez la position du biseau à 0°. Enclenchez le levier du loquet du biseau afin que la goupille de détente puisse verrouiller la plaque crantée du biseau.
5. Placez une équerre à combinaison (A) contre la table et la face de la lame de scie.

**REMARQUE :** Assurez-vous que l'équerre est en contact avec la partie plate de la lame de la scie et non avec les dents de la lame.

6. Faites tourner la lame à la main et vérifiez l'alignement de la lame à la table en plusieurs points. Si la face de la lame n'est pas alignée avec l'équerre, vous devez régler la plaque crantée du biseau (B).
7. Desserrez les trois vis (C) et réglez la position de la plaque crantée du biseau. Alignez la table et la lame avec l'équerre combinée. Assurez-vous que la manette de verrouillage du biseau n'est pas verrouillée afin que la plaque crantée puisse être réglée.
8. Resserrez les trois vis de façon sécuritaire et revérifiez l'alignement de la lame avec la table.

**REMARQUE :** Cette scie est dotée de deux indicateurs d'échelle, un sur l'échelle de coupe en biseau et l'autre sur l'échelle de coupe en onglet. Une fois les ajustements d'équerrage effectués, il peut être nécessaire de desserrer les vis des indicateurs (D) et de les remettre à zéro.

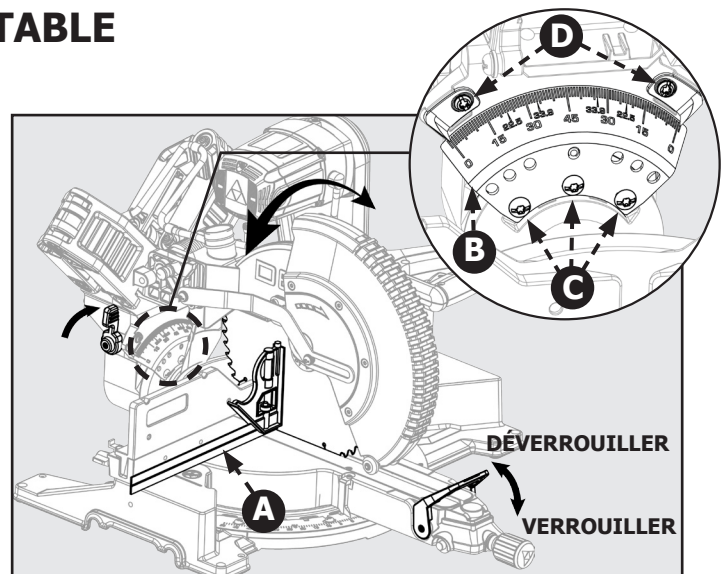


Figure 29

## ALIGNEMENT DE LA LAME AVEC LE GUIDE

Votre scie a été étalonnée en usine pour des coupes franches. Avec le temps, l'étalonnage de la scie peut dévier et elle nécessitera un nouvel étalonnage.

Voir figure 30

1. Débranchez la scie
2. Abaissez la tête de la scie jusqu'à la position de transport et insérez la goupille de verrouillage de la tête de la scie pour la maintenir en place. Poussez la tête de la scie vers sa position complètement retirée et enclenchez la bielle de prévention du glissement pour la maintenir en place.
3. Réglez la position du biseau à 0° et verrouillez la détente de l'onglet en cette position.
4. Réglez la position du biseau à 0°. Enclenchez la poignée de verrouillage du biseau pour verrouiller l'angle.
5. Placez une équerre (E) contre le guide et la face de la lame de scie.

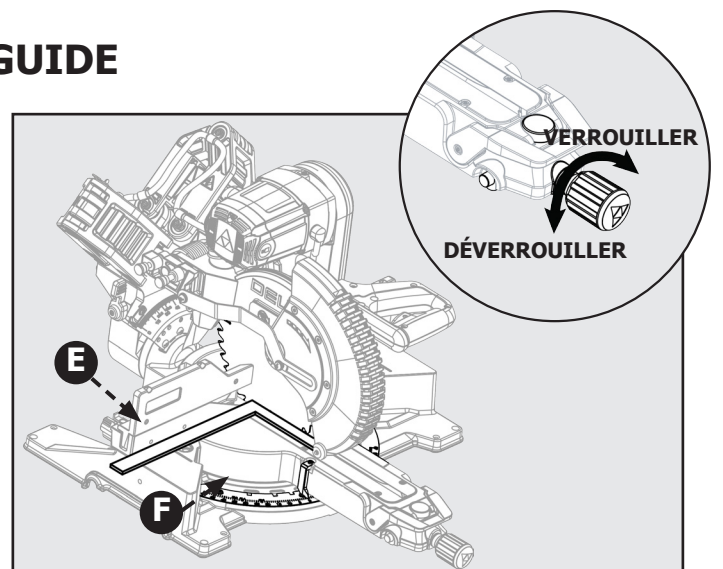


Figure 30

SUITE DES INSTRUCTIONS SUR LA PAGE SUIVANTE



# RÉGLAGES

## ALIGNEMENT DE LA LAME AVEC LA TABLE SUITE

**REMARQUE :** Assurez-vous que l'équerre est en contact avec la partie plate de la lame de la scie et non avec les dents de la lame.

1. Si la face de la lame n'est pas alignée avec l'équerre, vous devez régler la plaque crantée de l'onglet

Voir figure 31

2. Desserrez les quatre vis (A) et déplacez la table de l'onglet pour régler la position de la plaque crantée de l'onglet. Alignez le guide et la lame avec l'équerre combinée. Assurez-vous que la manette de verrouillage de l'onglet n'est pas verrouillée afin que la plaque crantée puisse être réglée.
3. Resserrez les quatre vis de façon sécuritaire et revérifiez l'alignement de la lame avec le guide.

**REMARQUE :** Cette scie est dotée de deux indicateurs d'échelle, un sur l'échelle de coupe en biseau et l'autre sur l'échelle de coupe en onglet. Une fois les ajustements d'équerrage effectués, il peut être nécessaire de desserrer les vis des indicateurs (B) et de les remettre à zéro.

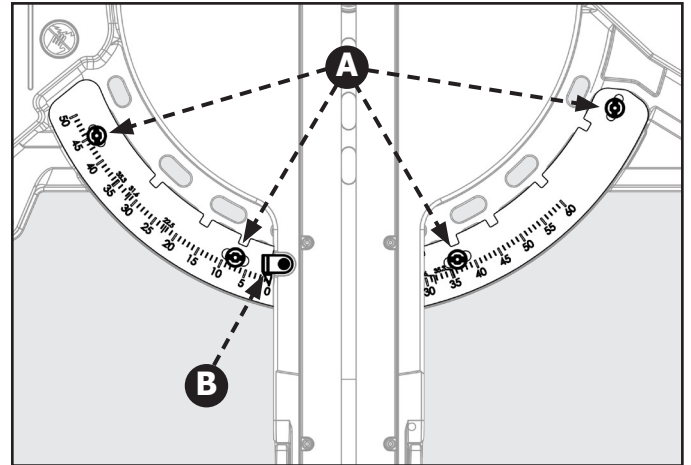


Figure 31

## RÉGLAGE DE LA BUTÉE DE PROFONDEUR

Cette scie à onglets dispose d'une butée de profondeur pour effectuer des coupes complètes et des coupes non complètes.

**Consultez la figure 32 et suivez ces instructions afin de régler la butée pour une profondeur spécifique de coupe :** tournez le support de la butée (C) dans le sens antihoraire vers le bas. La profondeur de la coupe peut maintenant être ajustée en tournant la vis d'ajustement de profondeur (D).

**Consultez la figure 32 et suivez ces instructions afin d'effectuer une coupe complète :** tournez le support de la butée (C) dans le sens horaire vers le haut.

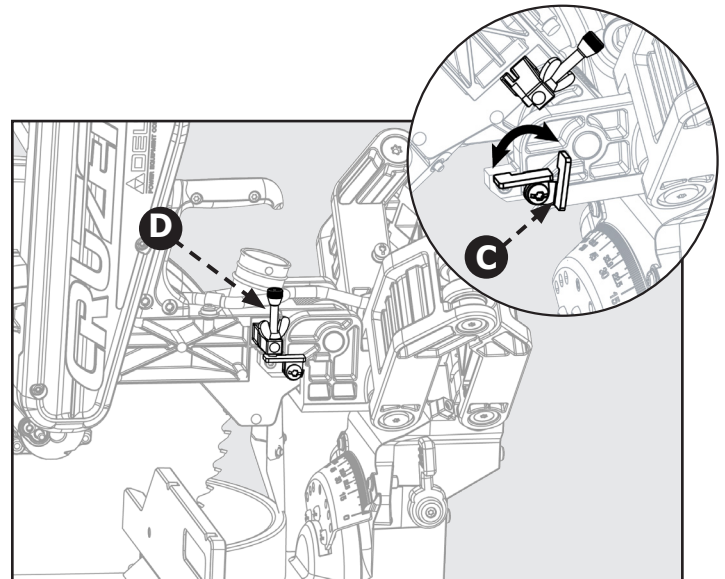


Figure 32

## RALLONGE DU GUIDE

Cette scie dispose d'un guide avec rallonge ajustable. Pour étendre ou replier le guide, consultez la figure 33 et suivez ces instructions : Dévissez la manette de verrouillage (E) en la tournant dans le sens antihoraire et faites glisser le guide (F) jusqu'à la position désirée. Veillez à resserrer la manette de verrouillage (E) en la tournant dans le sens horaire.

**⚠ DANGER:** Vérifiez toujours la manette de verrouillage (E) pour vous assurer qu'elle est bien vissée avant d'effectuer une coupe. Le défaut de s'y conformer peut provoquer des blessures.

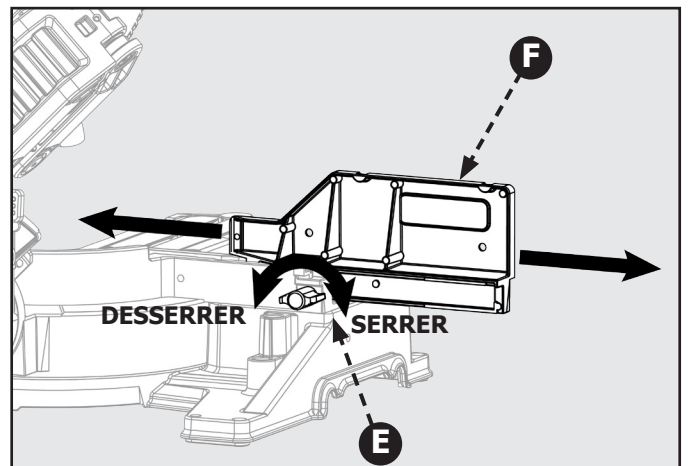


Figure 33

## RÉSISTANCE AU GLISSEMENT

Voir figure 34

La résistance au glissement (friction) est réglable pour votre scie. Utilisez une clé hexagonale de 5 mm. Localisez la vis de réglage de la friction sur les bras de la scie(A). Tournez vers la droite pour serrer la friction du glissement. Tournez vers la gauche pour desserrer la friction du glissement.

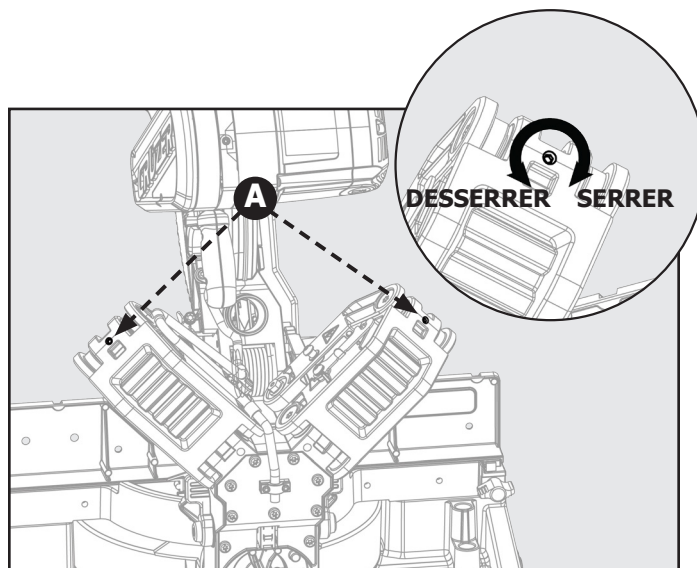


Figure 34

## PASSE-LAME

**⚠ AVERTISSEMENT :** Utilisez uniquement les pièces de rechange autorisées par Delta®. L'utilisation de pièces non autorisées peut endommager votre outil et causer des blessures graves.

Suivez les instructions suivantes si la passe-lame doit être remplacée pour n'importe quelle raison. Voir figures 35 et 36.

1. Desserrez les manettes de verrouillage du guide. Glissez les deux guides supérieurs (réglables) complètement loin du guide inférieur (fixe).
2. Retirez les quatre vis (B) du guide inférieur (fixe) (C). Soulevez le guide et enlevez-le de la scie.
3. Enlevez les six vis (D) qui retiennent la passe-lame. Retirez la passe-lame du bras de l'onglet.
4. Remplacez la passe-lame uniquement avec une pièce de rechange autorisée par Delta®.
5. Serrez les six vis (D) qui retiennent la passe-lame.
6. Réinstallez le guide inférieur (fixe) et serrez les quatre vis (B) qui le retiennent.

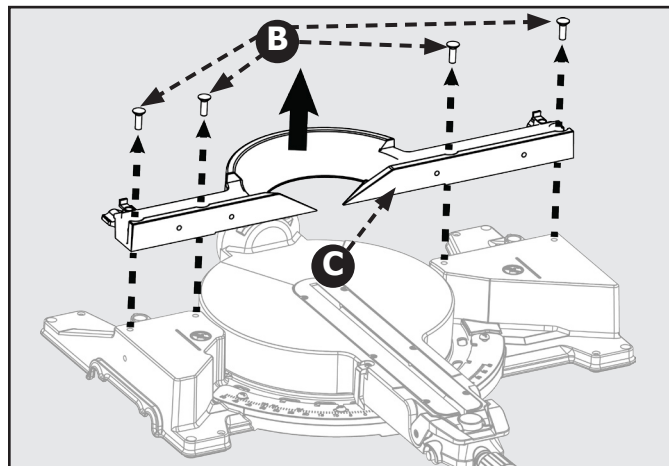


Figure 35

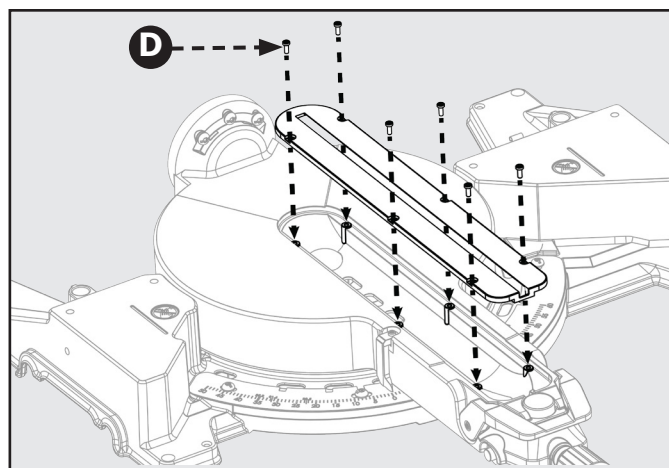


Figure 36

# ENTRETIEN

**⚠ AVERTISSEMENT :** Pour réduire les risques de blessures, éteignez l'appareil et débranchez-le de la source d'alimentation avant le nettoyage ou l'entretien, avant d'installer et de retirer tout accessoire et avant de faire des réglages lors de réparations. Un démarrage accidentel peut causer des blessures.

## TENIR LA MACHINE PROPRE

**⚠ AVERTISSEMENT :** Dégagez régulièrement tous les passages d'air avec de l'air comprimé sec. Toutes les pièces en plastique doivent être nettoyées avec un chiffon doux et humide. N'utilisez JAMAIS de solvants pour nettoyer les pièces en plastique. Ils pourraient dissoudre ou endommager le matériel. Portez des équipements de sécurité oculaires, auditifs et respiratoires lors de l'utilisation d'air comprimé.

Videz le sac à poussière fréquemment.

Lors de l'entretien, utilisez uniquement des pièces de rechange identiques. L'utilisation de toute autre pièce peut constituer un danger ou entraîner des dommages au produit.

## ENTRETIEN GÉNÉRAL

Évitez d'utiliser des solvants pour nettoyer les pièces en plastique. La plupart des plastiques sont susceptibles aux divers types de solvants commerciaux et peuvent être endommagés par leur usage. Utilisez des chiffons propres pour enlever la saleté, poussière, huile, graisse, etc.

## REPLACEMENT DES BROSSES

Le moteur de cette scie dispose d'ensembles de brosses accessibles de l'extérieur qui doivent être vérifiés régulièrement pour l'usure. Si les brosses doivent être remplacées, consultez la figure 37 et procédez comme suit :

Débranchez la scie.

**⚠ AVERTISSEMENT :** Si la scie n'est pas débranchée, un démarrage accidentel pourrait entraîner des blessures graves.

Desserrez les vis (A) et retirez le capuchon du moteur (B). À l'aide d'un tournevis à tête plate, enlevez délicatement le capuchon de la brosse (C).

**REMARQUE :** Enlevez le capuchon lentement. L'assemblage de la brosse est à ressort et va sortir une fois que le capuchon est enlevé.

Retirez l'assemblage de la brosse (D).

Inspectez les deux brosses. Si l'une a moins de 1/4 po de longueur de carbone restant, les deux brosses doivent être remplacées.

**REMARQUE :** Ne remplacez pas un côté sans remplacer l'autre.

Insérez les deux brosses dans le tube de la brosse (E), en vous assurant que la courbure des brosses correspond à la courbure du moteur. L'assemblage de brosse doit se déplacer librement dans le tube.

Remettez soigneusement le capuchon de la brosse, en vous assurant que le filetage ne soit pas faussé.

Serrez le capuchon de la brosse de façon sécuritaire. Ne forcez pas en serrant.

**⚠ AVERTISSEMENT :** Ne jamais laisser les liquides de freins, l'essence, les produits à base de pétrole, les huiles pénétrantes, etc., entrer en contact avec les pièces en plastique. Les produits chimiques peuvent endommager, affaiblir ou détruire le plastique, ce qui peut entraîner des blessures graves.

L'utilisation d'outils électriques pour travailler des matériaux de fibre de verre, les panneaux muraux, le plâtre à reboucher ou le plâtre les expose à une usure accélérée et à une éventuelle défaillance prématurée, car les copeaux et les broyages en fibre de verre sont très abrasifs pour les roulements, les brosses, le commutateur, etc. Par conséquent, nous ne recommandons pas l'utilisation de cet outil pour un travail prolongé sur ces types de matériaux. Toutefois, si vous travaillez avec l'un de ces matériaux, il est extrêmement important de nettoyer l'outil à l'aide d'air comprimé.

## LUBRIFICATION

Tous les roulements de cet outil sont lubrifiés avec une quantité suffisante de lubrifiant de haute qualité pour la durée de vie de l'outil dans des conditions normales. Par conséquent, aucune lubrification ultérieure n'est requise.

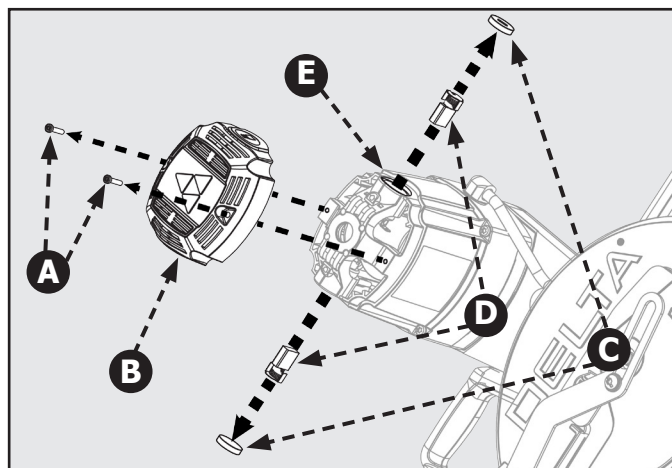


Figure 37

# DÉPANNAGE

## DÉMARRAGE IMPOSSIBLE

Si votre machine ne démarre pas, assurez-vous que les broches de la fiche du cordon sont bien en contact dans la prise. Aussi, vérifiez s'il y a des fusibles grillés ou des disjoncteurs ouverts dans votre ligne d'alimentation électrique. Si la scie ne démarre toujours pas, veuillez appeler le service à la clientèle au 1-800-223-7278.

# ACCESSOIRES

Pour les accessoires, veuillez visiter notre site Web pour un catalogue en ligne ou pour le nom de votre fournisseur le plus proche.

**⚠ AVERTISSEMENT :** Puisque les accessoires autres que ceux offerts par DELTA® n'ont pas été testés avec ce produit, l'utilisation de ces accessoires peut être dangereuse. Pour une utilisation sécuritaire, seulement les accessoires DELTA® recommandés doivent être utilisés avec ce produit.

## ASSISTANCE POUR PIÈCES, SERVICE OU GARANTIE

Les machines et accessoires CRUZER sont fabriqués selon des normes de haute qualité et peuvent être réparés dans le réseau de centres de service autorisés. Pour obtenir des informations supplémentaires au sujet de votre produit ou pour obtenir des pièces, du service, l'assistance en vertu de la garantie ou l'emplacement du centre de service le plus proche, appelez au 1-800-223-7278.

### Garantie limitée de cinq ans

**1. CE QUI EST GARANTI.** Delta Power Equipment Corporation (la « Société ») réparera ou remplacera, à son entière discrétion, ce produit qui a été acheté au détail aux États-Unis ou au Canada et qui, avec une utilisation normale, s'est avéré comporter des défauts de fabrication ou de matériau, sous réserve des conditions énoncées dans la présente garantie limitée. Cette garantie limitée couvre uniquement les matériaux et la main-d'œuvre. Tous les frais de transport sont la responsabilité du client.

**2. PÉRIODE DE GARANTIE.** Toutes les réclamations de garantie doivent être soumises dans les trois ans suivant la date d'achat au détail. Pour toutes les pièces d'entretien et les produits remis à neuf en usine, la période de garantie est de 180 jours.

**3. COMMENT FAIRE POUR OBTENIR LE SERVICE.** Pour obtenir un service en vertu de la garantie, vous devez retourner le produit défectueux, ainsi qu'une preuve d'achat acceptable, telle que votre reçu original portant la date d'achat, ou le numéro d'enregistrement du produit, à vos frais et dans la période de garantie applicable, à un centre de service autorisé par la Société (un « centre de service autorisé ») pour que le personnel du centre effectue le service en vertu de la garantie. La Société réserve le droit de restreindre le service de réclamation en vertu de la garantie dans le pays où l'achat a été effectué et/ou de facturer le coût pour l'exportation de pièces de rechange ou pour fournir un service en vertu de la garantie dans un pays différent. À cette fin, les achats en ligne sont réputés être effectués aux États-Unis. Pour l'emplacement de votre centre de service autorisé le plus proche, appelez le service à la clientèle de la société au 1-800-223-7278.

#### 4. EXCLUSIONS.

- La Société n'offre aucune garantie sur les produits achetés en état usagé ou endommagé.
- La Société ne garantit pas les produits achetés à l'extérieur des États-Unis ou du Canada.
- La société ne sera pas tenue responsable des dommages résultant de l'usure normale, d'une mauvaise utilisation, d'abus ou de réparations ou modifications apportées par un tiers autre qu'un centre de service agréé ou un représentant désigné par le service à la clientèle de la société.

**TOUTES LES GARANTIES IMPLICITES** sont expressément limitées à la période de garantie indiquée ci-dessus.

**La société n'est pas responsable des dommages ACCESSOIRES OU IMMATÉRIELS.**

Cette garantie limitée est la seule garantie de la Société et énonce le recours exclusif du client par rapport à des produits défectueux; toutes les autres garanties, expresses ou implicites, qu'il s'agisse de la qualité marchande, d'aptitude à l'usage ou autre, sont expressément rejetées par la Société, sauf mention expresse dans la présente déclaration de garantie.

Certains États n'autorisent pas l'exclusion ou la limitation des dommages accessoires ou immatériels, ni la limitation des garanties implicites, de sorte que les limitations ou exclusions ci-dessus peuvent ne pas s'appliquer à vous. Cette garantie vous donne des droits légaux spécifiques et vous pouvez avoir d'autres droits, qui varient d'un état ou province à l'autre. Pour plus de détails sur la couverture de garantie et de l'information sur les réparations sous garantie, composez le 1-800-223-7278. Pour enregistrer vos produits en ligne, nous vous encourageons à visiter notre site Web et à vous inscrire pour un compte de membre GRATUIT DELTA® à <http://www.deltamachinery.com/register>.

**AMÉRIQUE LATINE :** Cette garantie ne couvre pas les produits vendus en Amérique latine. Pour les produits vendus en Amérique latine, appeler l'entreprise locale ou consulter le site Web pour obtenir des informations de garantie.

## PIÈCES DE REMPLACEMENT

N'utiliser que des pièces de rechange identiques. Pour une liste de pièces ou pour commander des pièces, visitez notre site Web à [www.DeltaMachinery.com/service](http://www.DeltaMachinery.com/service). Vous pouvez également commander des pièces de votre centre de service de garantie autorisé le plus proche ou en appelant le directeur du service technique au 1-800-223-7278 pour recevoir un soutien personnalisé de l'un de nos représentants hautement qualifiés.

## REEMPLACEMENT GRATUIT DES ÉTIQUETTES DE SÉCURITÉ

Si vos étiquettes d'avertissement deviennent illisibles ou sont manquantes, composez le 1-800-223-7278 pour un remplacement gratuit.

## Entretien et réparations

Tous les outils de qualité nécessiteront éventuellement un entretien et/ou un remplacement des pièces. Pour plus d'informations sur Delta Power Equipment

Corporation et ses succursales ou pour localiser un centre de réparation autorisé, visitez notre site Web à [www.DeltaMachinery.com/service](http://www.DeltaMachinery.com/service) ou communiquez avec le service à la clientèle au 1-800-223-7278. Toutes les réparations effectuées par nos centres de service sont entièrement garanties contre les défauts de matériau et de fabrication. Nous ne pouvons garantir les réparations effectuées ou tentées par des tiers. En appelant ce numéro, vous pouvez également trouver des réponses aux plus fréquentes questions 24 heures par jour.

Pour plus d'informations, vous pouvez également nous écrire à Delta Power Equipment Corporation, 2651 New Cut Road, Spartanburg, SC 29303 –

Au soin de : Directeur des services techniques. Veuillez à indiquer toutes les informations figurant sur la plaque signalétique de votre scie (numéro de modèle, type, numéro de série, code de date, etc.).



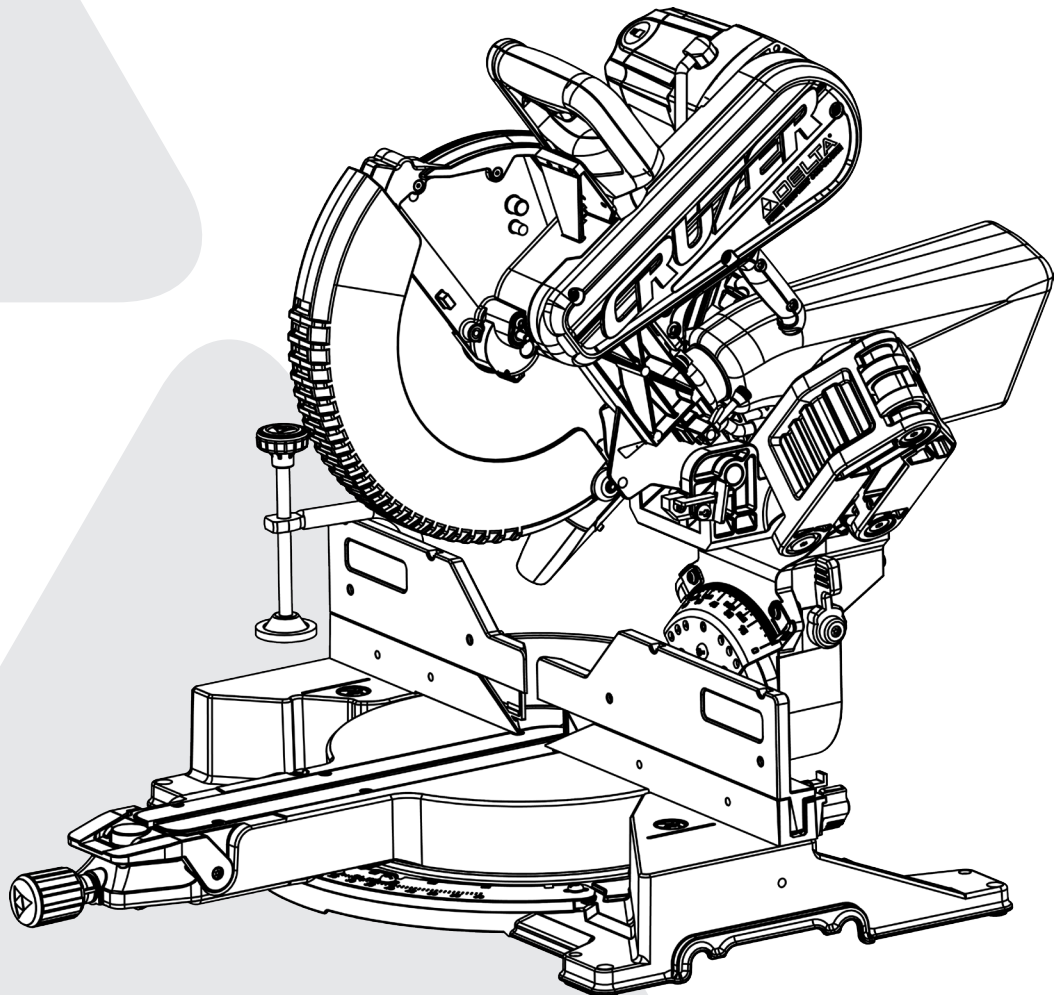


POWER EQUIPMENT CORPORATION

## 12-inch Sliding Compound Miter Saw

Scie à onglets composée coulissante 12 pouces

Sierra de inglete compuesta deslizante de 12 pulgadas



Français (25)

Español (49)

[www.DeltaMachinery.com](http://www.DeltaMachinery.com)

**Manual de instrucciones**

Manual d'utilisation

Manual de instrucciones

**26-2250**

**⚠ ADVERTENCIA:** Para reducir el riesgo de lesiones graves, lea por completo y respete todas las advertencias e instrucciones que se encuentran en este manual y en el producto.

**MANTENGA ESTE MANUAL CERCA DE SU PRODUCTO PARA UNA REFERENCIA FÁCIL Y PARA BRINDAR INSTRUCCIONES A OTROS**



# ÍNDICE

<b>INSTRUCCIONES DE SEGURIDAD IMPORTANTES</b> .....	50
<b>LOGOTIPOS DE SEGURIDAD</b> .....	50
<b>REGLAS DE SEGURIDAD GENERALES PARA LAS HERRAMIENTAS MOTORIZADAS</b> .....	51
<b>Advertencia de la Propuesta 65</b> .....	52
<b>Reglas de seguridad de la sierra ingletadora</b> .....	52
<b>Conexiones de alimentación</b> .....	53
DOBLE AISLAMIENTO .....	53
CONEXIÓN ELÉCTRICA .....	54
ENCHUFES POLARIZADOS .....	54
CABLES DE EXTENSIÓN .....	54
<b>Características</b> .....	54
ESPECIFICACIONES DEL PRODUCTO .....	54
CONOZCA SU SIERRA INGLETADORA COMPUESTA .....	56
<b>Cómo desempacar</b> .....	56
CÓMO EXTRAER EL CONTENIDO DEL EMBALAJE .....	56
LISTA DE CONTENIDO DEL EMBALAJE .....	57
<b>Montaje y transporte</b> .....	57
PREPARATIVOS PARA EL TRANSPORTE .....	57
COLOCACIÓN DE LA SIERRA EN UNA SUPERFICIE ESTABLE ..	58
<b>ENSAMBLE</b> .....	58
HERRAMIENTAS NECESARIAS .....	58
ABRAZADERA DE FIJACIÓN .....	59
BOLSA PARA POLVO .....	59
INSTALACIÓN/EXTRACCIÓN/REEMPLAZO DE LA HOJA ...	60
<b>Funcionamiento</b> .....	61
CORTE DE MATERIAL COMBADO .....	61
SUJECIÓN DE PIEZAS DE TRABAJO ANCHAS .....	62
APOYO DE PIEZAS DE TRABAJO LARGAS .....	62
BLOQUEO DEL INTERRUPTOR DE ENCENDIDO .....	62
CORTES NO DESLIZANTES .....	63
PARA CORTES DE INGLETE .....	63
PARA CORTES BISELADOS .....	64
PARA CORTES EN INGLETE COMPUESTOS .....	64
CORTES DESLIZANTES .....	65
RECOMENDACIONES PARA CORTAR MOLDURAS TIPO CORONA ..	65
GUÍA TOPE AUXILIAR .....	66
AUMENTO DE LA CAPACIDAD DE CORTE .....	67
<b>Ajustes</b> .....	68
ALINEACIÓN DE LA HOJA CON LA MESA .....	68
ALINEACIÓN DE LA HOJA CON LA GUÍA TOPE .....	68
ALINEACIÓN DE LA HOJA CON LA GUÍA TOPE (CONTINUACIÓN) .....	69
AJUSTE DEL TOPE DE PROFUNDIDAD .....	69
EXTENSIÓN DE LA GUÍA TOPE .....	70
RESISTENCIA AL DESLIZAMIENTO .....	70
PLACA DE GARGANTA .....	71
<b>Mantenimiento</b> .....	71
CÓMO MANTENER LIMPIA LA HERRAMIENTA .....	71
MANTENIMIENTO GENERAL .....	71
LUBRICACIÓN .....	71
REEMPLAZO DE LAS ESCOBILLAS .....	71
<b>Resolución de problemas</b> .....	71
LA SIERRA NO ARRANCA .....	71
<b>Accesorios</b> .....	72
<b>Asistencia para piezas, servicio o garantía</b> .....	72
PIEZAS DE REEMPLAZO .....	72
REEMPLAZO GRATIS DE LAS ETIQUETAS DE ADVERTENCIA .....	72
MANTENIMIENTO Y REPARACIONES .....	72
<b>Francés</b> .....	25
<b>Español</b> .....	49

**NOTA:** La portada del manual contiene una ilustración del modelo de producción actual. Todas las otras ilustraciones que figuran en el manual son tan solo representativas y pueden no ser representaciones exactas de las etiquetas o accesorios reales incluidos. Son para fines ilustrativos solamente.

## INSTRUCCIONES DE SEGURIDAD IMPORTANTES

**⚠ ADVERTENCIA:** LEA Y SIGA CUIDADOSAMENTE TODAS LAS ADVERTENCIAS E INSTRUCCIONES QUE SE ENCUENTRAN EN EL PRODUCTO Y EN ESTE MANUAL. CONSERVE ESTE MANUAL. ASEGÚRESE DE QUE TODOS LOS USUARIOS ESTÉN FAMILIARIZADOS CON SUS ADVERTENCIAS E INSTRUCCIONES AL UTILIZAR LA HERRAMIENTA. Una utilización, mantenimiento o modificación incorrectos de las herramientas o equipamiento podrían causar lesiones graves y/o daños materiales.



## LOGOTIPOS DE SEGURIDAD

Este manual contiene información que es importante que usted conozca y entienda. Esta información se refiere a la protección de SU SEGURIDAD y PREVIENE PROBLEMAS DEL EQUIPO. Para ayudarlo a reconocer esta información, usamos los símbolos debajo. Lea el manual y preste atención a estas secciones.

**⚠ PELIGRO:** Indica una situación de peligro inminente que, si no se evita, provocará muertes o lesiones graves.

**⚠ ADVERTENCIA:** Indica una situación potencialmente peligrosa que, si no se evita, podría causar muertes o lesiones graves.

**⚠ PRECAUCIÓN:** Indica una situación potencialmente peligrosa que, si no se evita, podría causar lesiones menores o moderadas.

**PRECAUCIÓN:** Utilizada sin el símbolo de advertencia de seguridad indica una situación potencialmente peligrosa que, si no se evita, podría causar daño a la propiedad.

Se encuentra disponible información adicional sobre el funcionamiento seguro y correcto de esta herramienta a través de las siguientes fuentes de información:

- Power Tool Institute (Instituto de Herramientas Eléctricas), 1300 Sumner Avenue, Cleveland, OH 44115-2851 o en línea en [www.powertoolinstitute.com](http://www.powertoolinstitute.com)
- National Safety Council (Concejo de Seguridad Nacional), 1121 Spring Lake Drive, Itasca, IL 60143-3201
- American National Standards Institute (Instituto Nacional Estadounidense de Estándares), 25 West 43rd Street, 4to piso, Nueva York, NY 10036 [www.ansi.org](http://www.ansi.org) - ANSI 01.1 Safety Requirements for Woodworking Machines (Requisitos de seguridad para máquinas de carpintería)
- Regulaciones del Department of Labor (Departamento de Trabajo) de EE. UU.: [www.osha.gov](http://www.osha.gov)

# REGLAS DE SEGURIDAD GENERALES PARA LAS HERRAMIENTAS MOTORIZADAS

**⚠ ADVERTENCIA:** Lea todas las advertencias de seguridad, instrucciones, ilustraciones y especificaciones suministradas con esta herramienta motorizada. No seguir todas las instrucciones detalladas a continuación podría provocar descargas eléctricas, incendios y/o lesiones graves.


**Guarde todas las advertencias e instrucciones para consulta futura.**

El término "herramienta motorizada" en las advertencias hace referencia a la herramienta motorizada (con cable) que funciona con energía eléctrica o a la herramienta motorizada (sin cable) que funciona a BATERÍA.

## 1. Seguridad en el área de trabajo

- Mantenga el área de trabajo limpia y bien iluminada.** Las áreas desordenadas u oscuras están propensas a accidentes.
- No utilice las herramientas motorizadas en atmósferas explosivas, como bajo la presencia de líquidos inflamables, gases o polvo.** Las herramientas motorizadas generan chispas que podrían encender el polvo o los gases.
- Mantenga alejados a los niños y personas que están observando durante el uso de una herramienta motorizada.** Las distracciones pueden provocar una pérdida de control.

## 2. Seguridad eléctrica

- El enchufe de la herramienta motorizada deberá coincidir con el tomacorriente. Nunca modifique el enchufe de ninguna manera. No utilice ningún adaptador con las herramientas motorizadas de conexión a tierra.** Los enchufes no modificados y los tomacorrientes que coincidan con el enchufe reducirán el riesgo de descargas eléctricas.
- Evite el contacto del cuerpo con superficies de conexión a tierra, como tuberías, radiadores, estufas y heladeras.** Existe un riesgo mayor de descarga eléctrica si su cuerpo está conectado a tierra.
-  **No exponga las herramientas motorizadas a la lluvia o condiciones húmedas.** El ingreso de agua en una herramienta motorizada aumentará el riesgo de descargas eléctricas.
- No realice un uso incorrecto del cable. Nunca utilice el cable para transportar, tirar o desenchufar la herramienta motorizada. Mantenga el cable alejado de aceite caliente, bordes filosos o piezas móviles.** Los cables dañados o enredados aumentan el riesgo de descargas eléctricas.
- Al utilizar una herramienta motorizada en exteriores, utilice un cable de extensión adecuado para el uso en exteriores.** Emplear un cable adecuado para el uso en exteriores reduce el riesgo de descargas eléctricas.
- Si es inevitable el uso de una herramienta motorizada en una ubicación húmeda, utilice una fuente de alimentación con protección por parte de un interruptor de circuito con pérdida a tierra (GFCI, por sus siglas en inglés).** El uso de un GFCI reduce el riesgo de descargas eléctricas.

## 3. Seguridad personal

- Manténgase alerta, preste atención a la tarea que está realizando y utilice el sentido común al utilizar una herramienta motorizada. No utilice una herramienta motorizada si está cansado o bajo la influencia de drogas, alcohol o medicamentos.** Un momento de distracción durante el uso de herramientas eléctricas puede provocar una lesión personal grave.
- Utilice equipamiento de protección personal. Siempre utilice protección ocular.** El equipamiento de protección, como la máscara antipolvo, los zapatos de seguridad antideslizantes, casco duro o protección auditiva, utilizado para las condiciones apropiadas, reducirá las lesiones personales.
- Evita el arranque accidental. Asegúrese de que el interruptor se encuentre en la posición de apagado antes de la conexión con la fuente de alimentación o el transporte de la herramienta.** El transporte de las herramientas motorizadas con el dedo en el interruptor o las herramientas motorizadas energizadas que tienen el interruptor en la posición de encendido pueden generar accidentes.
- Extraiga cualquier llave de ajuste antes de encender la herramienta motorizada.** Si deja una llave fijada a una pieza giratoria de la herramienta motorizada, podrían provocarse lesiones personales.
- No intente estirarse en exceso. Mantenga los pies bien colocados y el equilibrio en todo momento.** Esto permite lograr un mejor control de la herramienta motorizada en situaciones inesperadas.
- Utilice la vestimenta adecuada. No utilice vestimenta o joyas sueltas. Mantenga su cabello, vestimenta y guantes alejados de las piezas móviles.** La vestimenta floja, las joyas o el cabello largo pueden quedar atrapados por las piezas móviles.
- Si se proporcionan dispositivos para la conexión de equipos de extracción y recolección de polvo, asegúrese de que estén conectados y se utilicen de forma correcta.** El uso de la recolección de polvo puede reducir los peligros relacionados con el polvo.
- No permita que la confianza obtenida a partir del uso frecuente de las herramientas lo vuelva descuidado e ignore los principios de seguridad de las herramientas.** Una acción imprudente puede causar lesiones graves en una fracción de segundo.
- Nunca se pare sobre la herramienta.** Pueden ocurrir lesiones graves si la herramienta es inclinada o si la herramienta de corte es contactada involuntariamente.

## 4. Uso y mantenimiento de la herramienta motorizada

- No fuerce la herramienta motorizada. Utilice la herramienta motorizada correcta para su aplicación.** La herramienta motorizada correcta le permitirá realizar el trabajo de forma más eficiente y segura a la velocidad a la que fue diseñada.
- No utilice la herramienta motorizada si el interruptor no se puede colocar en la posición de encendido y apagado.** Cualquier herramienta motorizada que no pueda controlarse con el interruptor es peligrosa y deberá repararse.
- Desconecte el enchufe de la fuente de alimentación de la herramienta motorizada antes de realizar cualquier ajuste, cambiar accesorios o almacenar la herramienta motorizada.** Dichas medidas de seguridad de prevención reducen el riesgo de un arranque accidental de la herramienta motorizada.
- Almacene las herramientas motorizadas que no utilice lejos del alcance de los niños y no permita que personas**

que no están familiarizadas con la herramienta motorizada o sus instrucciones utilicen la herramienta motorizada. Las herramientas motorizadas son peligrosas en las manos de usuarios no capacitados.

- e. **Realice un mantenimiento de las herramientas motorizadas y accesorios. Compruebe si existe una alineación incorrecta o atasco de las piezas móviles, rotura de las piezas o cualquier otra condición que podría afectar el funcionamiento de la herramienta motorizada. Si está dañada, haga reparar la herramienta motorizada antes de su uso.** Muchos accidentes están causados por un mantenimiento incorrecto de las herramientas motorizadas.
- f. **Mantenga las herramientas de corte afiladas y limpias.** Las herramientas de corte con un mantenimiento correcto y bordes de corte afilados están menos propensas a atascarse y son más fáciles de controlar.
- g. **Utilice la herramienta motorizada, accesorios, puntas de herramientas, etc. de acuerdo con estas instrucciones, tomando en cuenta las condiciones de trabajo y la tarea que se realizará.** El uso de la herramienta motorizada para operaciones que sean diferentes de aquellas para las que se la diseñó podría derivar en una situación peligrosa.
- h. **Mantenga secas, limpias y sin aceite y grasa las manijas y las superficies de agarre.** Las manijas y las superficies de agarre resbalosas no permiten una sujeción y control seguros de la herramienta en situaciones inesperadas.

## 5. Servicio técnico

- a. **Solicite el servicio técnico de su herramienta motorizada a una persona de reparación calificada que utilice únicamente piezas de reemplazo idénticas.** Esto garantizará que se mantenga la seguridad de la herramienta motorizada.

# ADVERTENCIA DE LA PROPUESTA 65:

**⚠ ADVERTENCIA:** Parte del polvo creado por la lijadora, sierra, esmeriladora, perforadora, y otras actividades de construcción eléctricas contiene químicos, que, según el Estado de California, producen cáncer, defectos de nacimiento, u otro daño reproductivo. Ejemplos de estos químicos:

- Plomo de pinturas a base de plomo
- Sílice cristalina de los ladrillos y cemento y otros productos de albañilería
- Arsénico y cromo de madera con tratamiento químico

Su riesgo al exponerse a estos químicos varía, dependiendo de la frecuencia con la que realice este tipo de trabajo. Para reducir su exposición, trabaje en un área bien ventilada y con el equipo de seguridad aprobado, como máscaras para el polvo que estén especialmente diseñadas para filtrar partículas microscópicas.

# REGLAS DE SEGURIDAD DE LA SIERRA INGLETADORA

## 1. Instrucciones de seguridad para las sierras ingletadoras

- a. **La sierra ingletadora está diseñada para cortar madera o productos similares a la madera. No puede utilizarse con discos de corte abrasivos para el corte de material ferroso como barras, varillas, vástagos, etc.** El polvo abrasivo provoca un atasco de las piezas móviles, como la protección inferior. Las chispas originadas por el corte abrasivo quemarán la protección inferior, el inserto de corte y otras piezas de plástico.
- b. **Utilice abrazaderas para asegurar la pieza de trabajo siempre que sea posible. Si sujeta la pieza de trabajo con la mano, deberá mantenerla siempre a una distancia mínima de 100 mm en ambos lados de la hoja de la sierra. No utilice esta sierra para cortar piezas que sean demasiado pequeñas para sujetarlas de forma segura con abrazaderas o con la mano.** Si coloca la mano demasiado cerca de la hoja de la sierra, existe un mayor riesgo de lesiones provocadas por el contacto con la hoja.
- c. **La pieza de trabajo deberá estar fija y sujetarse con abrazaderas o mantenerse contra la guía tope y la mesa. No alimente la pieza de trabajo hacia la hoja ni realice cortes a pulso de ninguna manera.** Una pieza de trabajo no fijada o en movimiento podría arrojarse a altas velocidades y provocar lesiones.
- d. **Empuje la sierra a través de la pieza de trabajo. No jale de la sierra a través de la pieza de trabajo. Para realizar un corte, levante el cabezal de la sierra y colóquelo sobre la pieza de trabajo sin cortar, arranque el motor, presione el cabezal de la sierra hacia abajo y empuje la sierra a través de la pieza de trabajo.** El corte en la carrera de tracción posiblemente provoque que la hoja de la sierra se trepe sobre la parte superior de la pieza de trabajo y arroje violentamente el conjunto de la hoja hacia el operario.
- e. **Nunca cruce la mano por sobre la línea de corte deseada, ya sea en la parte frontal o posterior de la hoja de la sierra.** El agarre cruzado de la pieza de trabajo, es decir, sujetar la pieza de trabajo a la derecha de la hoja de la sierra con su mano izquierda o viceversa es sumamente peligroso.
- f. **No se estire más allá de la guía tope con las manos más cerca de 100 mm de ambos lados de la sierra, ya sea para quitar restos de madera o para cualquier otra razón, cuando la hoja esté girando.** La proximidad de la hoja de la sierra girando con su mano podría no ser perceptible y sufrir lesiones graves.
- g. **Inspeccione la pieza de trabajo antes de realizar cortes. Si la pieza de trabajo está combada o arqueada, sujétela con el lado combado exterior hacia la guía tope. Asegúrese siempre de que no exista espacio libre entre la pieza de trabajo, la guía tope y la mesa a lo largo de la línea de corte.** Las piezas de trabajo dobladas o arqueadas pueden torcerse o desplazarse y causar un atasco de la hoja de la sierra que está girando durante el corte. No deberán existir clavos u objetos extraños en la pieza de trabajo.
- h. **No utilice la sierra hasta que la mesa esté libre de todas las herramientas, restos de madera, etc., a excepción de la pieza de trabajo.** Los residuos pequeños o las piezas de madera u otros objetos flojos que entran en contacto con las hoja girando podrían arrojarse a alta velocidad.
- i. **Corte una sola pieza de trabajo por vez.** Varias piezas de trabajo apiladas no pueden sujetarse o fijarse de forma adecuada y podrían atascar la hoja o desplazarse durante el corte.
- j. **Asegúrese de que la sierra ingletadora esté instalada o colocada sobre una superficie de trabajo nivelada y firme antes de su uso.** Una superficie de trabajo nivelada y firme reduce el riesgo de pérdida de estabilidad de la sierra



# REGLAS DE SEGURIDAD DE LA SIERRA INGLETADORA

ingletadora.

- k. **Planifique su trabajo.** Cada vez que cambie la configuración de ángulo de biselado e inglete, asegúrese de que la guía tope esté ajustada correctamente para sujetar la pieza de trabajo y no interferirá con la hoja ni el sistema de protección. Sin encender la herramienta y sin ninguna pieza de trabajo en la mesa, mueva la hoja de la sierra a través de un corte completo simulado para asegurarse de que no existirá ninguna interferencia ni peligro de corte de la guía tope.
- l. **Proporcione el apoyo adecuado, como extensiones de la mesa, caballetes, etc. en el caso de que una pieza de trabajo que sea más ancha o más larga que la parte superior de la mesa.** Las piezas de trabajo más largas o anchas que la mesa de la sierra ingletadora podrían voltearse si no se fijan de forma correcta. Si la pieza de corte o la pieza de trabajo se voltea, puede levantar la protección inferior o ser arrojada por la hoja que está girando.
- m. **No utilice otra persona como reemplazo de una extensión de la mesa o como apoyo adicional.** Un apoyo inestable de la pieza de trabajo puede provocar que la hoja se atasque o que la pieza de trabajo se desplace durante la operación de corte, lo que lo tirará a usted y a la persona que está ayudando hacia la hoja que está girando.
- n. **La pieza de corte no deberá estar atascada o presionada de ninguna forma contra la hoja de la sierra que está girando.** Si está confinada, es decir, utilizando topes de longitud, la pieza de corte podría trabar la hoja y arrojarse violentamente.
- o. **Siempre utilice una abrazadera o accesorio diseñado para apoyar materiales redondos, como varillas o tuberías.** Las varillas tienen la tendencia de rodar durante el corte, lo que provocará que la hoja "muera" y jale la pieza de trabajo con su mano hacia la hoja.
- p. **Espere a que la hoja alcance una velocidad completa antes de que entre en contacto con la pieza de trabajo.** Esto reducirá el riesgo de que se arroje la pieza de trabajo.
- q. **Si la pieza de trabajo o la hoja se atascan, apague la sierra ingletadora. Espere a que todas las piezas móviles se detengan y desconecte el enchufe de la fuente de alimentación y/o extraiga la batería. A continuación, trabaje para liberar el material atascado.** Continuar el aserrado con una pieza de trabajo atascada puede provocar una pérdida de control y daños en la sierra ingletadora.
- r. **Después de finalizar el corte, suelte el interruptor, sujete la sierra hacia abajo y espere a que la hoja se detenga antes de extraer la pieza de corte.** Es peligroso estirarse con su mano cerca de la hoja en movimiento.
- s. **Sujete la manija firmemente al realizar un corte incompleto o al liberar el interruptor antes de que el cabezal de la sierra esté completamente en la posición. La acción de frenado de la sierra podría causar que la sierra se jale repentinamente hacia abajo, lo que provoca un riesgo de lesión.**
- t. **El perno de la cerradura de la cabeza de la sierra es para el almacenaje y el transporte solamente.** Esta sierra nunca se debe bloquear en la posición hacia abajo mientras se realizan cortes.
- u. **No opere la sierra sin guardas en su lugar.**

## CONSERVE ESTAS INSTRUCCIONES.

Refiérase a las mismas a menudo y utilícelas para instruir a otros.

Si presta la herramienta a otra persona, también préstele estas instrucciones.

## CONEXIONES DE ALIMENTACIÓN

Debe usarse un circuito eléctrico independiente para las máquinas. Este circuito no debe ser menor a un hilo #12. Antes de conectar la máquina a la corriente, asegúrese de que los interruptores estén en la posición de "APAGADO" y asegúrese de que la corriente eléctrica tenga las mismas características que las indicadas en la máquina. Todas las conexiones de línea deben tener un contacto correcto. El funcionamiento con una baja tensión provocará daños a la máquina.

**⚠ PELIGRO:** NO EXPONGA LA MÁQUINA A LA LLUVIA NI LA UTILICE EN LUGARES HÚMEDOS.

La máquina posee un cableado para una corriente alterna de 120 voltios y 60 HZ. Antes de conectar la máquina a la fuente de alimentación, asegúrese de que el interruptor se encuentre en la posición "APAGADO".

## DOBLE AISLAMIENTO

Esta máquina posee un doble aislamiento. El doble aislamiento es un concepto de seguridad de las herramientas motorizadas eléctricas, que elimina la necesidad de un cable de alimentación con conexión a tierra de tres alambres. Todas las piezas metálicas expuestas están aisladas de los componentes metálicos internos del motor gracias al aislamiento de protección. Las herramientas con doble aislamiento no necesitan estar conectadas a tierra.

**⚠ ADVERTENCIA:** El sistema de doble aislamiento está diseñado para proteger al usuario de las descargas provocadas por un daño en el aislamiento interno de la herramienta. Sin embargo, es importante respetar las precauciones de seguridad normales para evitar descargas eléctricas.

**NOTA:** El servicio técnico de una herramienta con doble aislamiento requiere un extremo cuidado y conocimiento del sistema y solo lo deberá realizar un técnico de servicio calificado. Para el servicio técnico de la herramienta, recomendamos llevarla al centro de servicio técnico autorizado más cercano para efectuar la reparación. Utilice siempre piezas de reemplazo idénticas durante el servicio técnico.

# CONEXIONES DE ALIMENTACIÓN

## CONEXIÓN ELÉCTRICA

Esta herramienta posee un motor eléctrico construido a precisión. Se lo deberá conectar a una FUENTE DE ALIMENTACIÓN DE CA DE 120 VOLTIOS Y 60 HZ ÚNICAMENTE (CORRIENTE HOGAREÑA NORMAL). No utilice esta herramienta con corriente continua (CC). Una caída significativa de la tensión provocará una pérdida de potencia y sobrecalentará el motor. Si la herramienta no funciona cuando está conectada a un tomacorriente, vuelva a comprobar la fuente de alimentación.

## ENCHUFES POLARIZADOS

Para reducir el riesgo de descargas eléctricas, esta herramienta posee un enchufe polarizado (una clavija es más ancha que la otra). Este enchufe podrá insertarse en un tomacorriente polarizado de una sola forma. Si no es posible insertar correctamente el enchufe en el tomacorriente, voltee el enchufe. Si aún no puede insertarse correctamente, comuníquese con un electricista calificado para instalar el tomacorriente adecuado. No intente modificar de ninguna manera el enchufe.

## CABLES DE EXTENSIÓN

Al utilizar una herramienta motorizada a una distancia considerable de una fuente de alimentación, asegúrese de utilizar un cable de extensión que tenga la capacidad para soportar la corriente que consumirá la herramienta. Un cable con un tamaño menor provocará una caída en la tensión de la línea, lo que a su vez provocará un sobrecalentamiento y una pérdida de potencia. Utilice la tabla para determinar el tamaño de cable mínimo requerido para un cable de extensión. Deben usarse únicamente cables revestidos y redondos indicados por Underwriter's Laboratories (UL).

**NOTA:** Antes de utilizar cualquier cable de extensión, inspecciónelo para comprobar si existen alambres flojos o expuestos o un aislamiento cortado o desgastado.

**⚠ ADVERTENCIA:** Mantenga el cable de extensión lejos del área de trabajo. Coloque el cable de tal manera que no quedará atrapado en las maderas, herramientas u otras obstrucciones mientras esté trabajando con una herramienta motorizada. No seguir estas reglas podría provocar lesiones personales graves. Inspeccione los cables de extensión antes de cada uso. Si están dañados, reemplácelos de inmediato. Nunca utilice la herramienta con un cable dañado, puesto que tocar el área dañada puede causar descargas eléctricas que pueden derivar en lesiones graves.

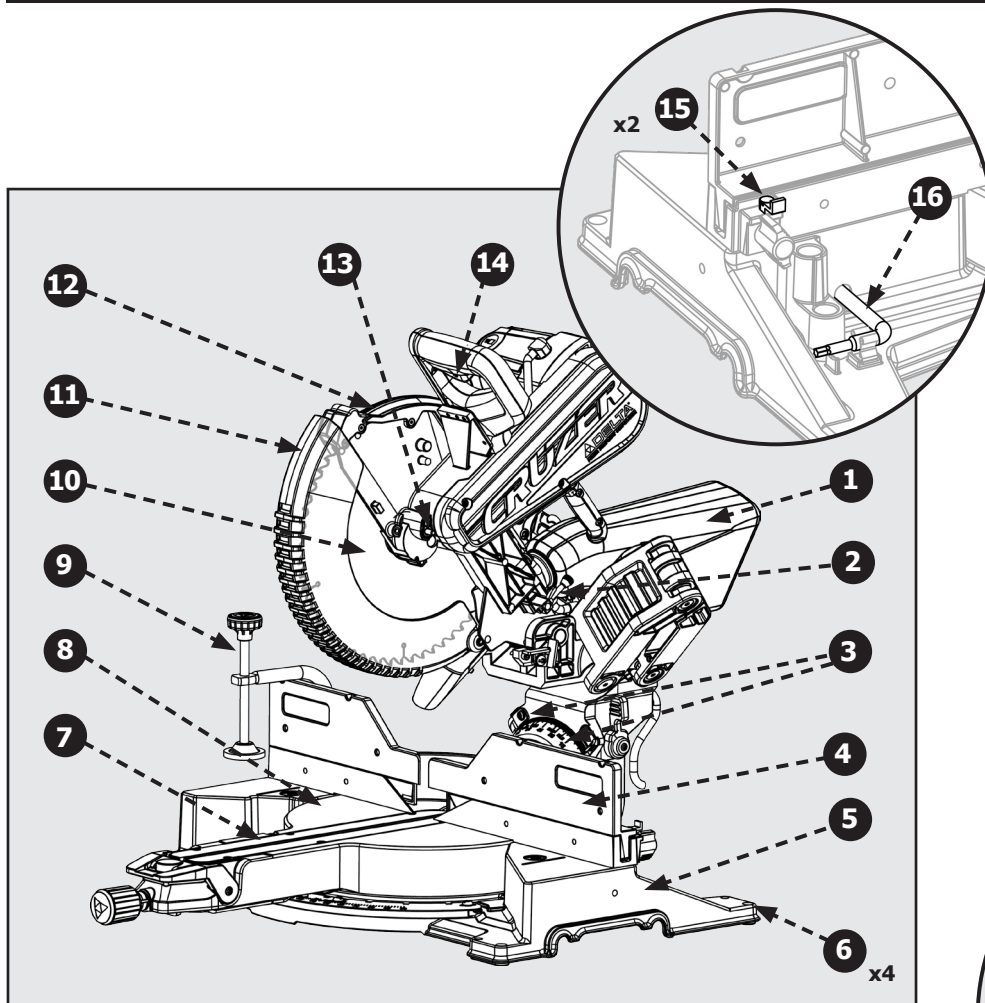
** Clasificación de amperaje (en la etiqueta de datos completos)	
12 A- 16 A	
Longitud del cable	Tamaño del cable
25"	14 AWG
50"	12 AWG
** Utilizado en un circuito de calibre 12/20 amperes	
NOTA: AWG = American Wire Gauge	

# CARACTERÍSTICAS

## ESPECIFICACIONES DEL PRODUCTO

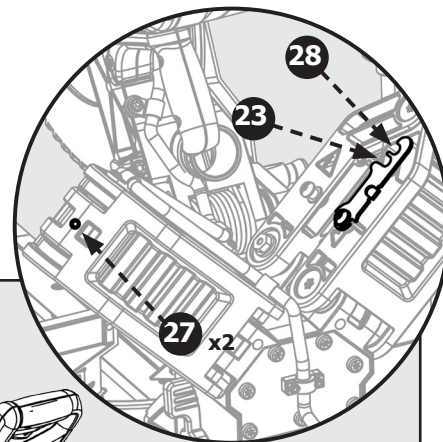
Capacidad de corte (Tamaños de madera nominales máximos)	Inglete de 0°/Biselado de 0°: capacidad extendida de 4" x 14" (2" x 18") Inglete de 45°/Biselado de 0°: 4" x 10" Inglete de 0°/Biselado de 45°: 2" x 14" Inglete de 45°/Biselado de 45°: 2" x 10"
Rodapié (vertical)	6,5"
Corona (anidada verticalmente)	7,5"
Peso neto	57 libras
Entrada	120 V~, 60 hz, 15 amperes
Eje de la hoja	1"
Diámetro de la hoja	12"
Velocidad sin carga	4000 r/min (RPM)

# CARACTERÍSTICAS



1. Bolsa para polvo
2. Tope de profundidad
3. Regla y puntero de inglete (x2)
4. Guía tope deslizante
5. Base
6. Orificios de montaje (x4)
7. Placa de garganta
8. Mesa de trabajo
9. Abrazadera
10. Hoja
11. Protección inferior
12. Protección superior
13. Bloqueo de eje
14. Interruptor de encendido/apagado y orificio de bloqueo
15. Apoyo de la guía tope posterior
16. Llave Torx

Figura 1



17. Botón de bloqueo/desbloqueo de freno de inglete
18. Manija de bloqueo/desbloqueo de bisel
19. Perilla de bloqueo de inglete
20. Botón de anulación de freno de inglete
21. Regla y puntero de inglete
22. Pestillo de freno de bisel (x2)
23. Bloqueo de deslizamiento
24. Bloqueo del cabezal
25. Manija de transporte
26. Tapa de las escobillas
27. Ajuste de deslizamiento
28. Bloqueo de posición de rodapié
29. Freno eléctrico (no mostrado)

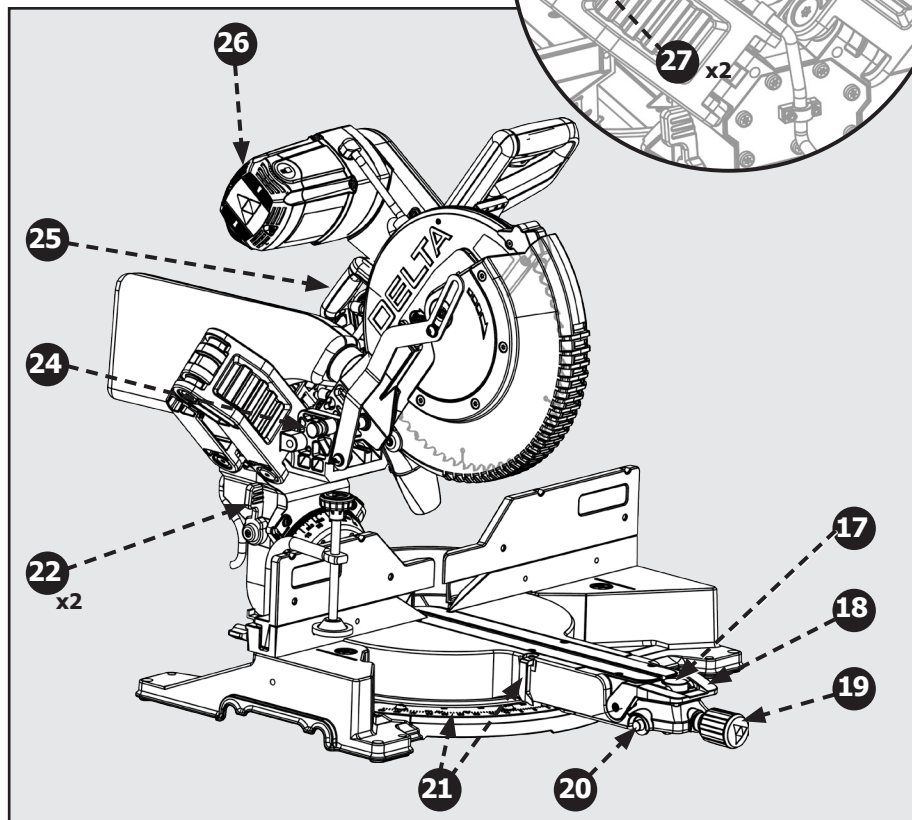


Figura 2

# CARACTERÍSTICAS

## CONOZCA SU SIERRA INGLETADORA COMPUESTA

- 1. Bolsa de recolección de polvo:** la bolsa de recolección de polvo recolecta y contiene el polvo generado por la sierra durante las operaciones de corte.
- 2. Tope de profundidad:** se puede utilizar la placa del tope de profundidad para realizar un corte no pasante. El tornillo de profundidad de tope permite el ajuste de la profundidad del corte.
- 3. Regla y puntero de bisel:** indican la posición de bisel de la hoja actual y son ajustables. Además, permiten lograr una calibración fina de la alineación de la hoja.
- 4. Guía tope ajustable:** la guía tope permite apoyar la pieza de trabajo al realizar todo tipo de cortes. La extensión es ajustable.
- 5. Base:** permite el apoyo de la herramienta e incluye orificios de montaje.
- 6. Orificios de montaje (x4):** permite instalar de forma segura la herramienta en una superficie estable.
- 7. Placa de garganta (placa de corte):** la placa de corte permite proporcionar un apoyo para la pieza de trabajo desde abajo, en ambos lados de la sierra, para reducir el desprendimiento de la pieza de trabajo.
- 8. Mesa de trabajo:** la mesa de trabajo robusta de aluminio fundido ofrece una superficie de trabajo sólida y nivelada.
- 9. Abrazadera:** la abrazadera vertical de la pieza de trabajo ayuda a posicionar y asegurar la pieza de trabajo a la mesa de trabajo. Esto permite un uso más seguro y cortes más precisos.
- 10. Hoja:** se incluye una hoja de 12 pulgadas con la sierra ingletadora compuesta.
- 11. Protección inferior:** la protección de la hoja inferior está fabricada con plástico transparente y resistente a impactos que ofrece una protección desde la hoja.
- 12. Protección superior:** el aluminio fundido protege al usuario de la hoja.
- 13. Bloqueo de eje:** coloque el bloqueo de eje cuando se cambia la hoja a fin de sujetar la hoja en su posición mientras afloja el perno de la hoja.
- 14. Interruptor de encendido y bloqueo de alimentación:** esta sierra se activa a través de un interruptor de encendido manual y fácil de utilizar. Cuando no esté en uso, la sierra deberá desconectarse de la fuente de alimentación y bloquearse con un candado insertado a través del orificio de bloqueo ubicado en el interruptor de encendido.
- 15. Apoyo de la guía tope posterior:** ofrecen apoyo para la pieza de trabajo y capacidad de corte adicional cuando se extrae la guía tope deslizante.
- 16. Llave Torx:** esta llave posee dos tamaños de cabeza Torx y deberá utilizarse al extraer, instalar o cambiar la hoja.
- 17. Botón de bloqueo/desbloqueo de freno de inglete:** este botón le permite liberar el brazo de inglete de los topes positivos y girar libremente el brazo de inglete.
- 18. Manija de bloqueo/desbloqueo de bisel:** esta manija permite bloquear el ángulo de bisel de la hoja en su lugar. Siempre bloquee antes de realizar algún corte.
- 19. Perilla de bloqueo de inglete:** esta perilla permite bloquear el ángulo de inglete de la hoja en su lugar. Siempre bloquee antes de realizar algún corte.
- 20. Botón de anulación de freno de inglete:** este botón permite mantener el freno de inglete en la posición de desbloqueo, que permite el movimiento libre del brazo de inglete sin presionar el botón de bloqueo/desbloqueo de freno de inglete.
- 21. Regla y puntero de inglete:** indican la posición de inglete de la hoja actual y son ajustables. Además, permiten lograr una calibración fina de la alineación de la hoja.
- 22. Pestillo de freno de bisel (x2):** este pestillo coloca/extrae el pasador de freno de bisel, que permite que el ángulo de bisel se bloquee en una de las posiciones de freno.
- 23. Bloqueo de deslizamiento:** permite que el cabezal de la sierra se bloquee en la posición totalmente retraída para su transporte.
- 24. Bloqueo del cabezal:** permite que el cabezal de la sierra se bloquee en la posición totalmente hacia abajo para su transporte.
- 25. Manija de transporte:** utilice esta manija para transportar la sierra. Asegúrese de que el bloqueo del cabezal y de deslizamiento estén activados antes del transporte.
- 26. Tapa de las escobillas:** ofrece acceso a las escobillas de carbono, en caso de que sea necesario inspeccionarlas o reemplazarlas.
- 27. Ajuste de deslizamiento:** permite ajustar la fricción del movimiento de deslizamiento del cabezal de la sierra de la parte delantera a la parte posterior.
- 28. Bloqueo de posición de rodapié:** al cortar molduras tipo corona, es posible que sea útil utilizar la función de tope de deslizamiento para colocar el cabezal de la sierra en la ubicación deseada para lograr cortes de corona óptimos.
- 29. Freno eléctrico (no mostrado):** este freno frenará rápidamente la hoja cuando se suelte el interruptor de encendido (se quite la mano del interruptor de encendido).

## CÓMO DESEMPACAR

### CÓMO EXTRAER EL CONTENIDO DEL EMBALAJE

**⚠ ADVERTENCIA:** Revise la caja de cartón de envío y la máquina en búsqueda de daños antes de desembalarla. Extraiga cuidadosamente los materiales de embalaje, las piezas y la máquina de la caja de cartón de envío. Siempre verifique y retire los materiales de envío protectores alrededor del motor y las piezas móviles. Coloque las piezas en una superficie de trabajo limpia.

- Compare los elementos con las imágenes del inventario y verifique que estén presentes todos los elementos antes de desechar la caja de cartón de envío. Para informar cualquier pieza faltante o dañada, comuníquese con el Centro de atención al cliente al 1-800-223-7278. Antes del ensamble y uso de la herramienta, lea este manual para familiarizarse con el ensamble adecuado y los procedimientos de mantenimiento y seguridad.
- Si existe alguna pieza que no está presente, no intente conectar el cable de alimentación y encender la herramienta. La sierra solo deberá recibir alimentación eléctrica después de que se hayan localizado y ensamblado de forma correcta todas las piezas.
- Esta sierra está embalada y se envía con el cabezal de la sierra asegurado en la posición hacia abajo con un sujetador de plástico. Para quitar el sujetador de plástico: empuje el cabezal de la sierra hacia abajo y corte el sujetador de plástico. Consulte "Pasador de bloqueo del cabezal de la sierra" en la sección "Preparación de la sierra para su uso" de este manual de instrucciones para obtener información sobre cómo utilizar el pasador de bloqueo del cabezal de la sierra.



# CÓMO DESEMPACAR

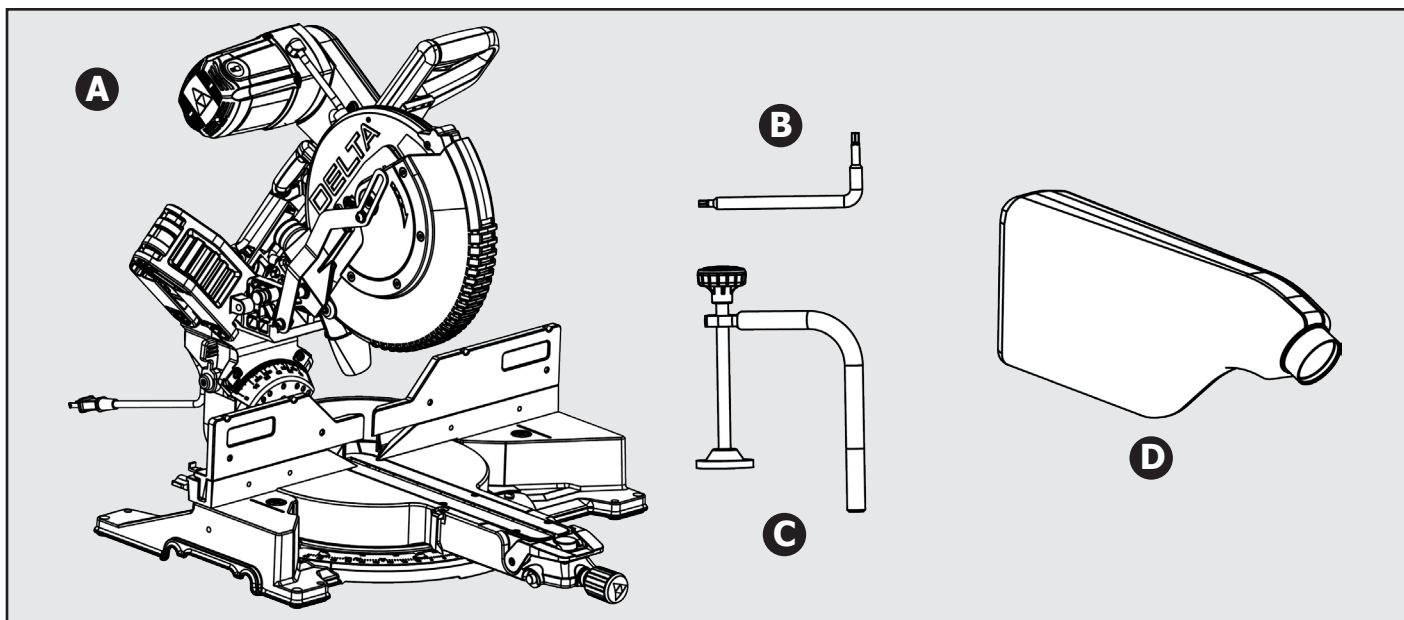


Figura 3

## LISTA DE CONTENIDO DEL EMBALAJE

- |    |                       |    |                        |
|----|-----------------------|----|------------------------|
| A. | Delta Cruiser 26-2250 | C. | Abrazadera de fijación |
| B. | Llave de hoja         | D. | Bolsa para polvo       |

## MONTAJE Y TRANSPORTE

**⚠ ADVERTENCIA:** Antes de mover/transportar la sierra, es importante asegurarse de que se hayan seguido todos los siguientes pasos para garantizar una condición segura para el transporte. No seguir estas reglas podría provocar lesiones personales graves.

**⚠ ADVERTENCIA:**

- Apague y desenchufe siempre la sierra antes del transporte.
- Asegure el cable de alimentación para evitar cualquier tropiezo o enredo que podría ocurrir durante el transporte.
- Utilice siempre la fuerza de sus piernas para levantar la sierra. Nunca utilice los músculos de la espalda.
- No utilice la manija del interruptor de encendido/apagado o el cable de alimentación para levantar la sierra.
- Coloque siempre la sierra sobre una superficie estable y nivelada con espacio libre para manipular y moverse.

## PREPARATIVOS PARA EL TRANSPORTE

### PASADOR DE BLOQUEO DEL CABEZAL DE LA SIERRA

Bloquee siempre el cabezal de la sierra en la posición hacia abajo antes de transportarla. Para colocar el pasador de bloqueo del cabezal de la sierra (A): Empuje el cabezal de la sierra hasta la posición hacia abajo y luego presione el pasador de empuje de bloqueo, tal como se muestra en la Fig. 4.

**⚠ ADVERTENCIA:** El pasador de bloqueo del cabezal de la sierra se utiliza únicamente para el almacenamiento y transporte. Nunca se deberá bloquear esta sierra en la posición hacia abajo al realizar cortes.

### BLOQUEO DE PREVENCIÓN DE DESLIZAMIENTO

Coloque siempre el bloqueo de prevención de deslizamiento (B) antes de transportar esta sierra. Para colocar el bloqueo de prevención de deslizamiento: Empuje el cabezal de la sierra hasta la posición totalmente retraído y, a continuación, mueva la varilla de bloqueo hacia abajo, tal como se muestra en la Fig. 4.

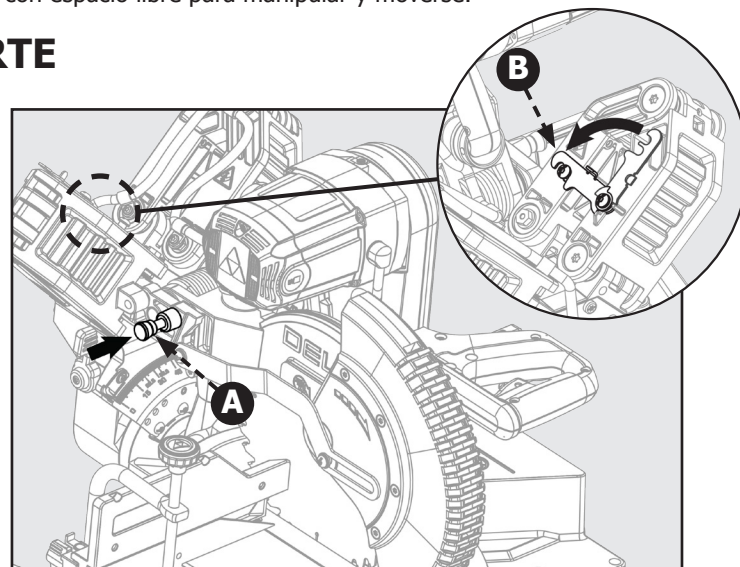


Figura 4

# MONTAJE Y TRANSPORTE

## MANIJA DE TRANSPORTE

Para el transporte, utilice la manija de transporte incluida (A), tal como se muestra en la Fig. 5 También puede levantar la sierra utilizando las ranuras de la manija (B) en ambos lados de la base de la sierra, tal como se muestra en la Fig. 5.

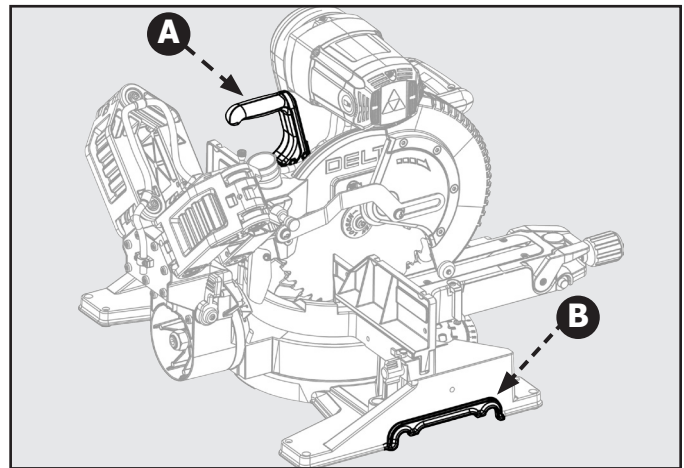


Figura 5

## COLOCACIÓN DE LA SIERRA EN UNA SUPERFICIE ESTABLE

**⚠ ADVERTENCIA:** A fin de garantizar un funcionamiento seguro y preciso, se deberá colocar la sierra sobre una superficie estable y nivelada, como, por ejemplo, un banco de trabajo. Para colocar la herramienta en una superficie estable, consulte la Figura 6 y realice lo siguiente:

1. Localice los 4 orificios de montaje ubicados en la base de la sierra C.
2. Asegure la herramienta a la superficie de montaje utilizando pernos mecánicos, arandelas de bloqueo y tuercas hexagonales de 3/8" (no incluidos). Asegúrese de que los pernos sean lo suficientemente largos para cubrir la base de la sierra, las arandelas de bloqueo, las tuercas hexagonales y el grosor del banco de trabajo.
3. Apriete todos los pernos de forma segura.
4. Asegúrese de que la mesa esté colocada de forma segura antes de utilizarla.

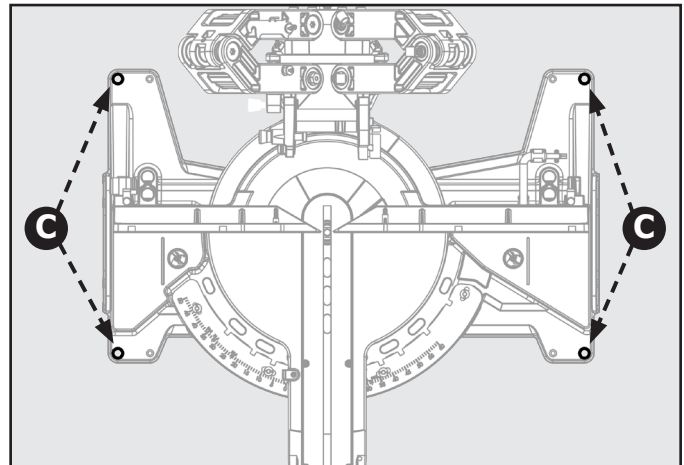


Figura 6

# ENSAMBLE

## HERRAMIENTAS NECESARIAS

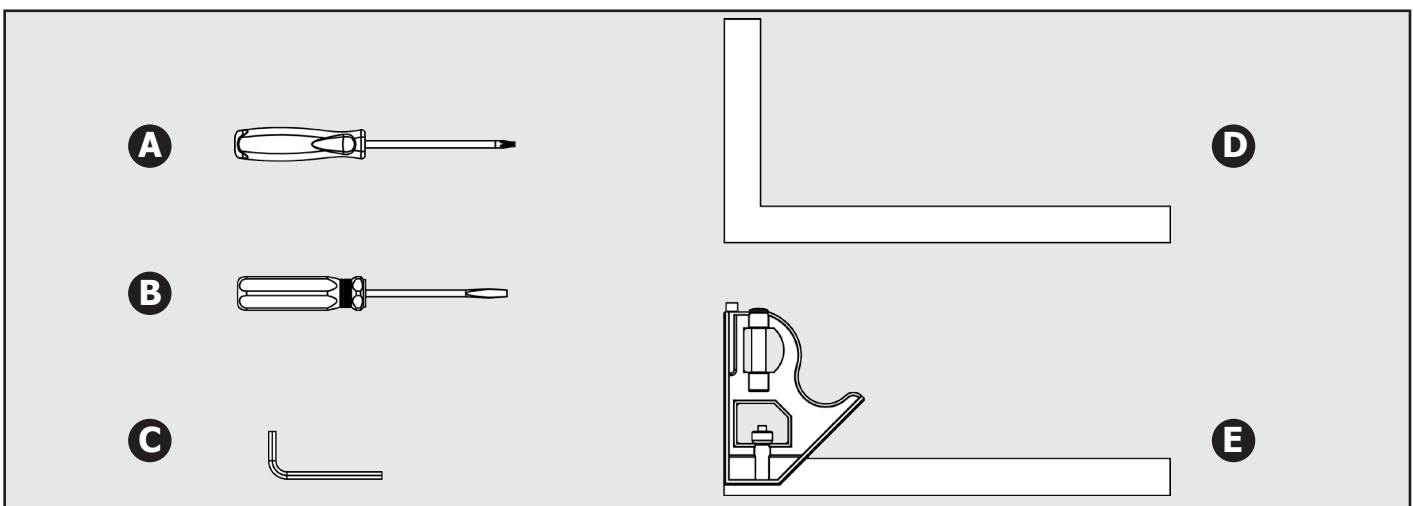


Figura 7

A. Destornillador Torx T20

B. Destornillador de cabeza plana

C. Llave hexagonal de 5 mm

D. Escuadra

E. Escuadra combinada

# ENSAMBLE

## ⚠ ADVERTENCIA:

- No intente modificar esta herramienta o crear accesorios no recomendados para el uso con esta herramienta. Dicha alteración o modificación representa un uso indebido de la herramienta y puede provocar una condición de peligro.
- No realice la conexión con la fuente de alimentación hasta que no se complete el ensamble. No cumplir con este requisito podría causar un arranque accidental.
- No arranque la sierra ingletadora sin comprobar que no exista una interferencia entre la hoja y la guía tope de inglete. Se puede provocar daños a la hoja si golpea contra la guía tope de inglete durante el funcionamiento de la sierra.
- La sierra puede voltearse si el cabezal de la sierra se suelta de forma repentina y la sierra no está asegurada a una superficie de trabajo. SIEMPRE asegure esta sierra a una superficie de trabajo estable antes de cualquier uso.
- Si alguna pieza está dañada o no se encuentra presente, no utilice la herramienta hasta que no estén presentes todas las piezas. Comuníquese con el Centro de atención al cliente al 1-800-223-7278 para obtener instrucciones.

## ABRAZADERA DE FIJACIÓN

La abrazadera de fijación vertical permite asegurar la pieza de trabajo a la mesa para proporcionar más estabilidad y evitar que la pieza de trabajo se levante hacia la hoja de la sierra.

Para colocar la abrazadera de fijación vertical, consulte la Figura 8 y realice los siguientes pasos:

1. Coloque el eje de la abrazadera (A) en algún orificio (B) de la base de inglete.
2. Gire la perilla (C) de la abrazadera hacia la derecha para moverla hacia dentro o hacia la izquierda para moverla hacia fuera, según sea necesario.

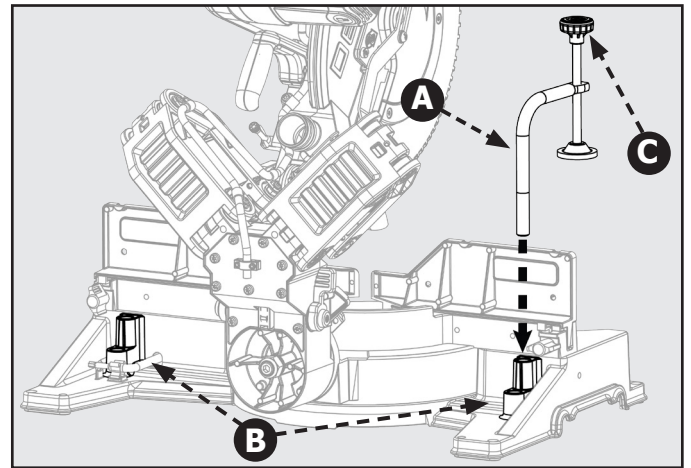


Figura 8

## BOLSA PARA POLVO

La herramienta incluye una bolsa de recolección de polvo (D) que se coloca sobre el puerto de salida ubicado en la protección de la guarda superior. Deslice la arandela de plástico por el puerto de salida de polvo ubicado en la parte posterior del cabezal de la sierra. Consulte la Figura 9.

**NOTA:** Para extraer la bolsa de polvo para vaciarla, simplemente siga el procedimiento anterior en inversa.

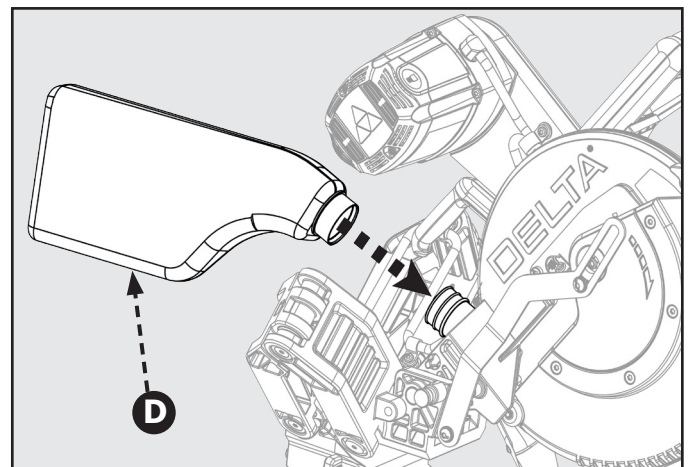


Figura 9

# ENSAMBLE

## INSTALACIÓN/EXTRACCIÓN/REEMPLAZO DE LA HOJA

**⚠ ADVERTENCIA:** Una hoja de 12" es la capacidad máxima para hojas de la sierra. Las hojas más grandes entrarán en contacto con las protecciones de la hoja.

Consulte la Figura 10.

1. Asegúrese de que la sierra esté desenchufada.
2. Levante el brazo de la sierra hasta su posición vertical más alta.
3. Gire la protección de la hoja inferior (A) hacia arriba. Afloje levemente el tornillo de la tapa del perno de la hoja (B) hasta que pueda mover la tapa del perno de la hoja (C) para ver el perno de la hoja (D).

Consulte la Figura 11.

4. Si se está reemplazando la hoja, gire cuidadosamente la hoja antigua hasta que el eje quede asegurado en su lugar.
5. Con la llave para hojas suministrada, extraiga el perno de la hoja (D) girándolo hacia la derecha.

**NOTA:** El perno de la hoja posee roscas a la izquierda.

6. Extraiga solo la arandela de la hoja exterior (F) y la hoja (G), dejando la arandela de la hoja interior en el eje.

**⚠ ADVERTENCIA:** Si se extrajo la arandela de la hoja interior, vuelva a colocarla antes de colocar la hoja en el eje. De lo contrario, esto podría causar un accidente, puesto que la hoja no estará apretada de forma correcta.

7. Presione el botón de bloqueo de eje (E). Consulte la Figura 12.
8. Coloque cuidadosamente la hoja de la sierra en la protección de la hoja y guíela hacia el eje, asegurándose de que los dientes de la hoja estén apuntando hacia abajo en la parte frontal de la sierra.
9. Alinee las partes planas (F) dobles de la arandela de la hoja (F) con las partes planas del eje y coloque la arandela en el eje.
10. Bloquee el eje soltando el botón de bloqueo del eje. Atornille el perno de la hoja (D), recordando apretarlo hacia la izquierda. Apriete el perno de la hoja de forma segura con la llave para hojas suministrada.

**⚠ ADVERTENCIA:** Instale siempre la hoja con los dientes de la hoja y la flecha ubicada en la parte lateral de la hoja apuntando hacia abajo en la parte frontal de la sierra. La dirección de rotación de la hoja también está indicada por una flecha en la protección de la hoja superior.

11. Vuelva a colocar la tapa del perno de la hoja y apriete el tornillo de la tapa del perno de la hoja de forma segura. Baje la protección de la hoja.
12. Levante y baje el brazo de la sierra para asegurarse de que el brazo y la protección de la hoja puedan moverse libremente.

**⚠ ADVERTENCIA:** Asegúrese de que el botón de bloqueo de eje no esté activado antes de volver a conectar la sierra a la fuente de alimentación. Nunca active el botón de bloqueo de eje mientras la sierra esté girando.

**NOTA:** Algunas ilustraciones de este manual indican únicamente partes de esta sierra. Esto se realiza para mostrar más claramente las áreas y los componentes clave de la sierra. Nunca utilice la sierra sin todas las protecciones colocadas en su lugar y en buen estado.

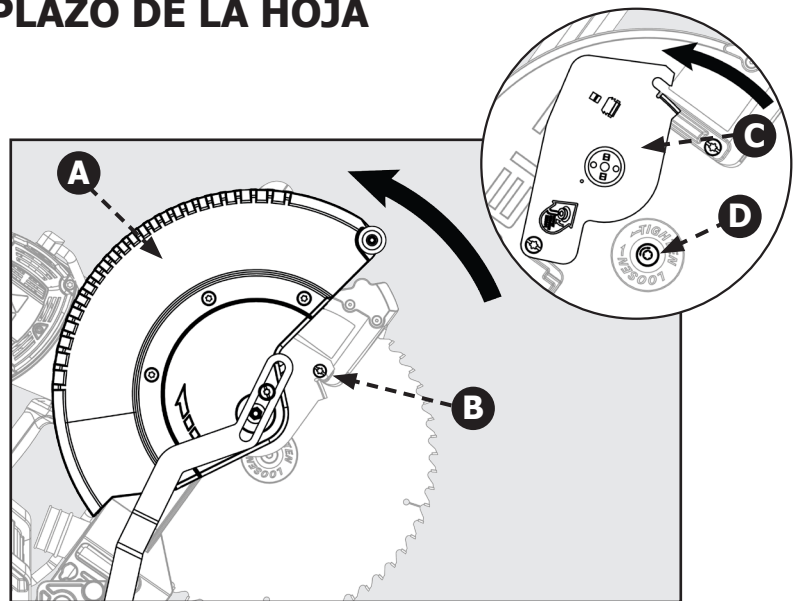


Figura 10

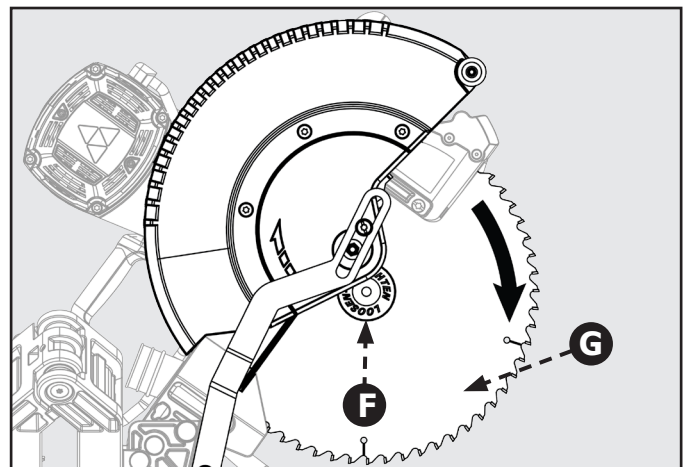


Figura 11

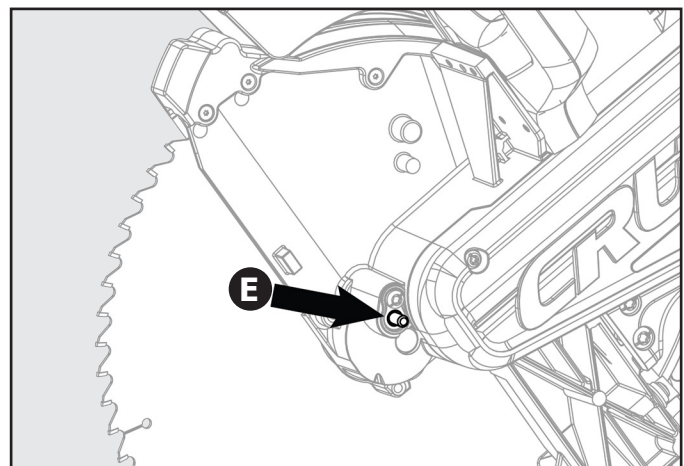


Figura 12



# FUNCIONAMIENTO

## ⚠ ADVERTENCIA:

- No permita que la confianza con las herramientas le haga causar un error por descuido. Recuerde que una fracción de segundo de descuido es suficiente para provocar una lesión personal grave.
- Utilice siempre protección ocular con protecciones laterales y que indique que cumple con ANSI Z87.1. De lo contrario, esto podría causar lesiones personales graves provocadas por el impacto de objetos contra sus ojos.
- No utilice accesorios no recomendados por el fabricante de esta herramienta. El uso de accesorios no recomendados puede causar lesiones personales graves.
- Antes de iniciar cualquier operación de corte, sujete con una abrazadera o perno la sierra ingletadora compuesta a un banco de trabajo. Nunca utilice la sierra ingletadora sobre el piso o en una posición en cuclillas. No seguir esta advertencia podría provocar lesiones personales graves.
- A fin de evitar lesiones personales graves, apriete siempre la manija de bloqueo de inglete y la perilla de bloqueo de bisel de forma segura antes de realizar un corte. De lo contrario, esto podría causar un movimiento del brazo de control o la mesa de inglete al realizar un corte.
- A fin de evitar lesiones personales graves, mantenga las manos alejadas de la zona de prohibición de ingreso de manos, al menos a 7 cm (3") de la hoja. Nunca realice ninguna operación de corte a pulso (sin sujetar la pieza de trabajo contra la guía tope). La hoja podría aprisionar la pieza de trabajo si se resbala o tuerce.
- Al utilizar una abrazadera de fijación o abrazadera C para asegurar la pieza de trabajo, sujete la pieza de trabajo desde únicamente un lado de la hoja. La pieza de trabajo deberá permanecer libre en un lado de la hoja para evitar que la hoja se atasque en la pieza de trabajo. Un atasco de la pieza de trabajo en la hoja provocará que el motor se bloquee y contragolpes. Esta situación podría causar un accidente que derive en lesiones personales graves.
- NUNCA mueva la pieza de trabajo ni realice ajustes a cualquier ángulo de corte mientras la sierra está en uso y la hoja está girando. Cualquier deslizamiento puede provocar un contacto con la hoja, lo que a su vez puede derivar en lesiones personales graves.

Puede utilizar esta herramienta para los siguientes trabajos:

- Corte biselado y corte compuesto para molduras tipo corona, etc.
- Corte transversal de madera y plástico.
- Corte transversal de molduras, revestimientos de puertas, marcos de cuadros, etc.

## CORTE DE MATERIAL COMBADO

Al intentar cortar material combado, el lado CONVEXO deberá colocarse contra la guía tope, tal como se muestra en la Figura 13.

Nunca coloque material combado con el lado o borde CÓNCAVO contra la guía tope, tal como se muestra en la Figura 14. La hoja quedará aprisionada cerca de finalizar el corte.

**⚠ ADVERTENCIA:** A fin de evitar un contragolpe y lesiones personales graves, nunca coloque el borde cóncavo del material combado o arqueado contra la guía tope.

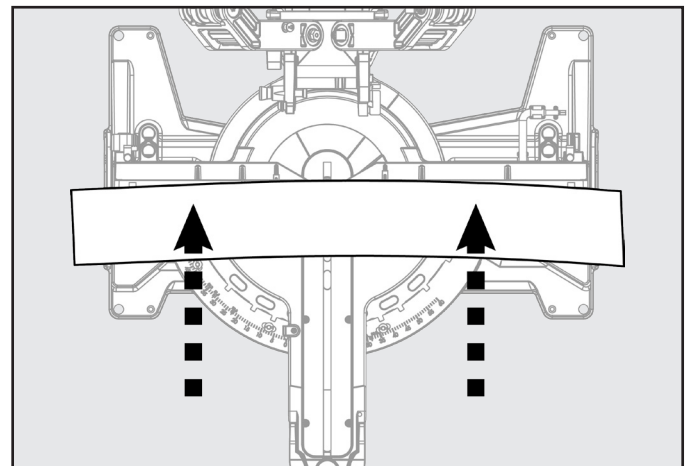


Figura 13

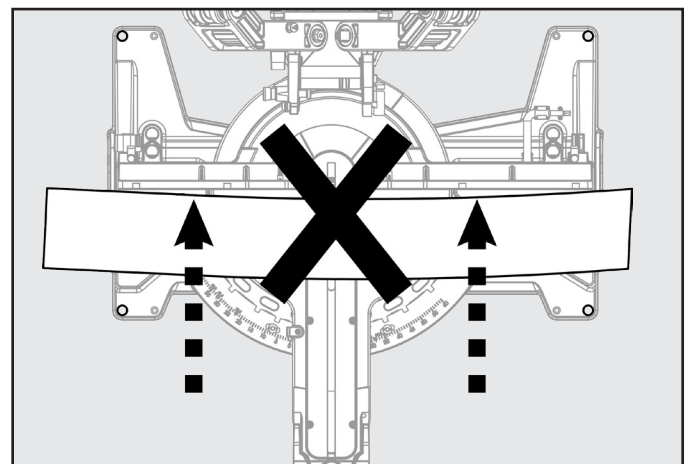


Figura 14

# FUNCIONAMIENTO

## SUJECIÓN DE PIEZAS DE TRABAJO ANCHAS

Al cortar piezas de trabajo anchas, como de 5 x 30 cm (2" x 12"), sujete la pieza de trabajo a la mesa de trabajo con una abrazadera de sujeción (A), tal como se muestra en la Figura 15.

**⚠ ADVERTENCIA:** Mantenga las abrazaderas alejadas de la trayectoria de la hoja y el conjunto de las protecciones de la hoja.

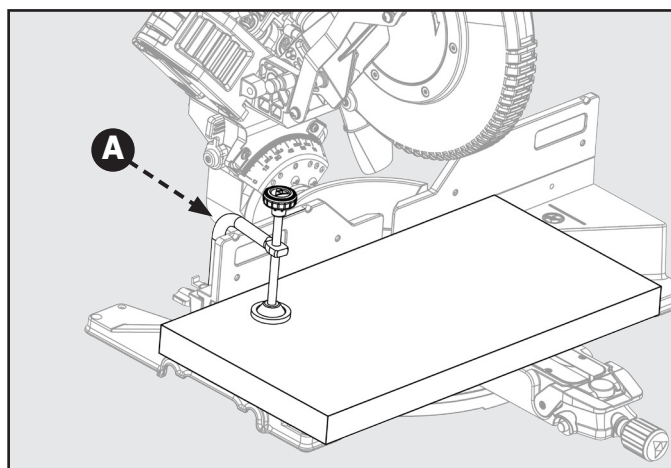


Figura 15

## APOYO DE PIEZAS DE TRABAJO LARGAS

En la mayoría de los casos, las extensiones de la mesa incluidas (apoyos de las piezas de trabajo) serán suficientes para apoyar las piezas de trabajo más largas. Si no son lo suficientemente largas, la pieza de trabajo deberá apoyarse desde fuera de la sierra. Se puede utilizar un apoyo adicional (B) para lograr que la pieza de trabajo quede apoyada de forma plana en la mesa de la sierra. Utilice la abrazadera de fijación incluida o una abrazadera C (C) para asegurar la pieza de trabajo a la mesa de la sierra ingletadora. Consulte la Figura 16.

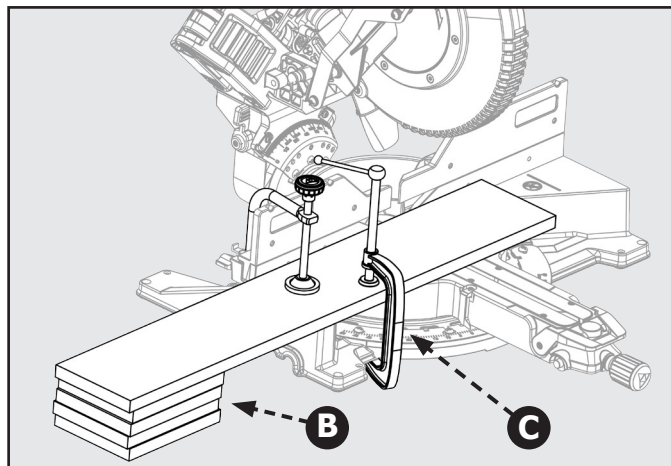


Figura 16

## BLOQUEO DEL INTERRUPTOR DE ENCENDIDO

Para evitar que una persona no autorizada haga funcionar esta sierra, deberá instalarse un candado (no incluido) en el orificio de bloqueo ubicado en el interruptor de encendido, tal y como se muestra en la Figura 17. Asegúrese de que el candado queda completamente cerrado y bloqueado antes de dejar la sierra sin supervisión.

**⚠ ADVERTENCIA:** Desconecte siempre la fuente de alimentación antes de instalar o retirar el bloqueo del interruptor de encendido. De lo contrario, podría activarse el interruptor de encendido de forma accidental y provocar daños serios.

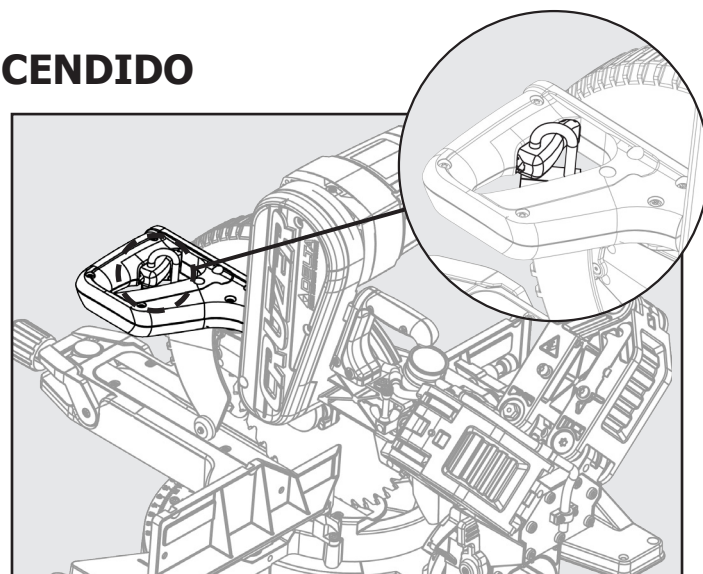


Figura 17

# FUNCIONAMIENTO

**⚠ ADVERTENCIA:** Antes de encender la sierra, asegúrese de que el cabezal y la hoja de la sierra no entrarán en contacto con la abrazadera de fijación o la guía tope suministrada durante la operación de corte. Coloque la abrazadera de fijación y la guía tope de forma tal que se evite el contacto con el cabezal de la sierra ingletadora.

## CORTES NO DESLIZANTES

**⚠ ADVERTENCIA:** Coloque siempre el bloqueo de prevención de deslizamiento antes de realizar algún corte no deslizante. No colocar este bloqueo puede provocar un movimiento del cabezal de la sierra durante el corte.

### PARA CORTES TRANSVERSALES

1. Consulte la Figura 18.
2. Para utilizar esta sierra como una sierra ingletadora tradicional y no deslizante: deslice el cabezal de la sierra hacia la posición totalmente retraído y coloque el bloqueo de prevención de deslizamiento.
3. Afloje la perilla de bloqueo de inglete (A), utilice el dedo pulgar para empujar en el botón de bloqueo de freno de inglete (B) y establezca el ángulo del brazo de inglete en 0 grados. Utilice la regla (C) e indicador (D) de inglete para buscar la posición de inglete de 0 grados.
4. Suelte el botón de freno de inglete (B) y apriete la perilla de bloqueo de inglete (A). Compruebe que el cabezal de la sierra esté asegurado de forma correcta en su posición.
5. Suelte el cabezal de la sierra hasta su posición hacia arriba.
6. Coloque la pieza de trabajo de tal manera que quede apoyada de forma correcta en la mesa y guía tope de la sierra. Si el panel está combado, lea y siga las instrucciones de "Corte de material combado" de la sección "Funcionamiento" de este manual.
7. Asegure la pieza de trabajo a la mesa y contra la guía tope con la abrazadera suministrada.
8. Antes de encender la sierra, realice un corte simulado para comprobar la alineación del corte. También asegúrese de que la hoja no entrará en contacto con la abrazadera de fijación suministrada o cualquier otro objeto que no sea la pieza de trabajo.
9. Coloque el interruptor en la posición de encendido. Espere a que la hoja alcance la máxima velocidad.
10. Baje la hoja de la sierra a través de la pieza de trabajo.
11. Suelte el interruptor de encendido y espere a que la hoja se detenga por completo antes de levantar el cabezal de la sierra.

## PARA CORTES DE INGLETE

**⚠ ADVERTENCIA:** Antes de encender la sierra, asegúrese de que el cabezal y la hoja de la sierra no entrarán en contacto con la abrazadera de fijación o la guía tope suministrada durante la operación de corte. Coloque la abrazadera de fijación y la guía tope de forma tal que se evite el contacto con el cabezal de la sierra ingletadora.

**⚠ ADVERTENCIA:** Apriete siempre la perilla de bloqueo de inglete (E) antes de cualquier operación de corte. No seguir estas reglas podría provocar lesiones personales graves.

Consulte la Figura 19.

1. Siga las instrucciones de uso de la sección "Para cortes transversales" que aparece anteriormente en este manual. Incluya los siguientes ajustes antes de realizar cortes.
2. Gire el brazo de inglete al ángulo de inglete requerido que no sea 0 grados.

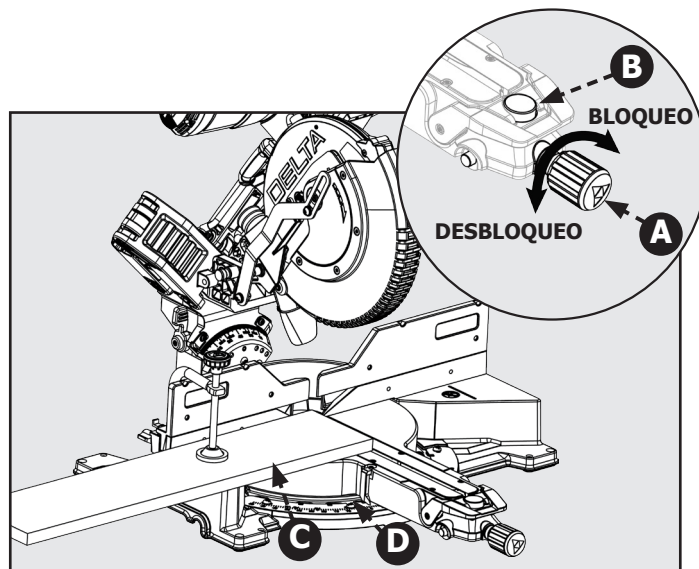


Figura 18

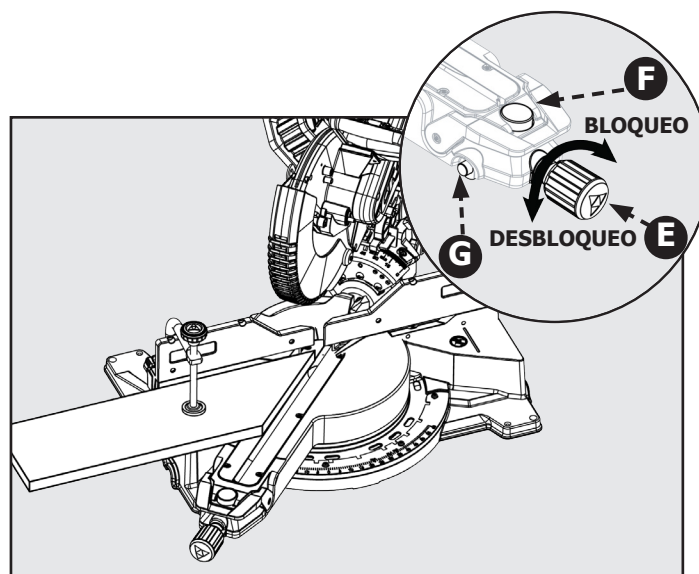


Figura 19

**NOTA:** Si la posición de ángulo de inglete requerida no se suministra con una de las posiciones de freno de inglete de tope positivo, puede utilizar la anulación del freno de inglete (G). Para activar la anulación del freno de inglete, presione el botón de freno de inglete (F) y presione la anulación de freno de inglete. Apriete la perilla de bloqueo de inglete antes de realizar el corte.

## PARA CORTES BISELADOS

**⚠ ADVERTENCIA:** Antes de encender la sierra, asegúrese de que el cabezal y la hoja de la sierra no entrarán en contacto con la abrazadera de fijación o la guía tope suministrada durante la operación de corte. Coloque la abrazadera de fijación y la guía tope de forma tal que se evite el contacto con el cabezal de la sierra ingletadora.

**⚠ ADVERTENCIA:** Bloque siempre la manija de bloqueo de bisel antes de cualquier operación de corte. No seguir estas reglas podría provocar lesiones personales graves.

Consulte la Figura 20.

1. Siga las instrucciones de uso de la sección "Para cortes transversales" que aparece anteriormente en este manual. Incluya los siguientes ajustes antes de realizar cortes.
2. Afloje la perilla de bloqueo de la guía tope (A) en el lado izquierdo y derecho, y deslice la guía tope ajustable (B) para permitir que exista un espacio adecuado para cortes biselados. Una vez que se establezca el espacio correcto, apriete la perilla de bloqueo de la guía tope.
3. Levante la manija de bloqueo de bisel (C).
4. Mientras sujeta firmemente el cabeza de la sierra con una mano, empuje hacia atrás la palanca de pestillo de bisel (D) y mueva el cabezal de la sierra hacia la izquierda o derecha según el ángulo de bisel requerido.
5. Si está utilizando unas de las posiciones de freno de bisel, asegúrese de que la palanca de pestillo de bisel y el freno de bisel queden bloqueados en la placa de tope positivo.
6. Empuje hacia abajo la manija de bloqueo de bisel para bloquear la posición de bisel.

**NOTA:** Si la posición de ángulo de bisel requerida no se suministra con una de las posiciones de freno de bisel de tope positivo, puede bloquear la posición de bisel en cualquier ubicación con la manija de bloqueo de bisel (C).

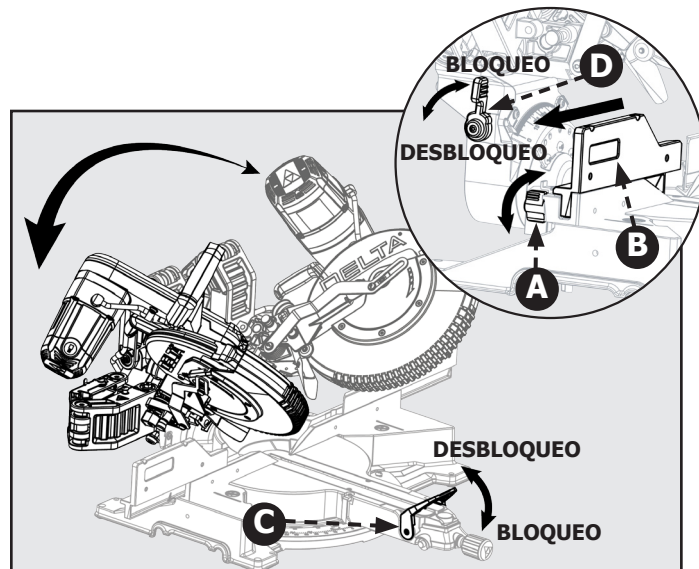


Figura 20

## PARA CORTES EN INGLETE COMPUESTOS

**⚠ ADVERTENCIA:** Antes de encender la sierra, asegúrese de que el cabezal y la hoja de la sierra no entrarán en contacto con la abrazadera de fijación o la guía tope suministrada durante la operación de corte. Coloque la abrazadera de fijación y la guía tope de forma tal que se evite el contacto con el cabezal de la sierra ingletadora.

Consulte la Figura 21.

Un corte en inglete compuesto utiliza una combinación de ajuste de ángulo de inglete y ajuste de ángulo de bisel. Utilice las instrucciones anteriores de las secciones "Para cortes de inglete" y "Para cortes biselados" para establecer el ángulo de bisel e inglete antes de seguir las instrucciones anteriores de la sección "Para cortes transversales".

**NOTA:** El ángulo de inglete y el ángulo de bisel dependen uno del otro. Si ajusta uno de estos, se cambiará el otro. Compruebe siempre ambos ángulos antes de realizar ajustes.

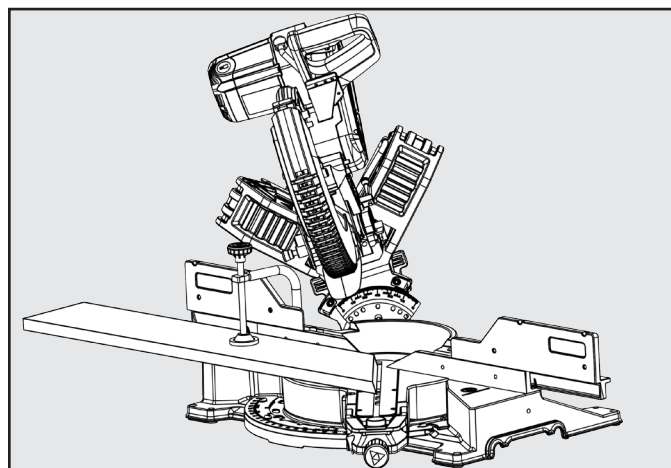


Figura 21



# FUNCIONAMIENTO

## CORTES DESLIZANTES

**⚠ ADVERTENCIA:** Nunca se deberá realizar un corte deslizante tirando de la sierra hacia usted. Debido a la dirección de giro de la hoja, esto puede provocar que la hoja trepe por encima de la pieza de trabajo y se dirija hacia el operario. No seguir esta advertencia podría provocar lesiones personales graves.

**⚠ ADVERTENCIA:** Antes de encender la sierra, asegúrese de que el cabezal y la hoja de la sierra no entrarán en contacto con la abrazadera de fijación o la guía tope suministrada durante la operación de corte. Coloque la abrazadera de fijación y la guía tope de forma tal que se evite el contacto con el cabezal de la sierra ingletadora.

Consulte la Figura 22.

Para utilizar esta sierra para realizar cortes deslizantes, siga las instrucciones detalladas a continuación. Los cortes deslizantes solo deberán realizarse empujando la hoja de la sierra alejada de usted y hacia la parte posterior de la sierra, deteniéndose en la posición totalmente RETRAÍDA luego de cada corte. Consulte la advertencia anterior.

1. Asegúrese de que el bloqueo de prevención de deslizamiento (B) y el pasador de bloqueo del cabezal (A) no estén colocados. Suelte el cabezal de la sierra hasta su posición hacia arriba.
2. Coloque la pieza de trabajo de tal manera que quede apoyada de forma correcta en la mesa y guía tope de la sierra. Si el panel está combado, lea y siga las instrucciones de "Corte de material combado" de la sección "Funcionamiento" de este manual.
3. Asegure la pieza de trabajo a la mesa y contra la guía tope con la abrazadera suministrada.
4. Antes de encender la sierra, realice un corte simulado para comprobar la alineación del corte. También asegúrese de que la hoja no entrará en contacto con la abrazadera de fijación suministrada o cualquier otro objeto que no sea la pieza de trabajo.
5. Antes de encender la sierra, tire el brazo de la sierra hacia usted hasta que la hoja esté más allá del borde frontal de la pieza de trabajo o hasta que el brazo de la sierra esté en la posición totalmente EXTENDIDO. El cabezal de la sierra deberá estar en la posición totalmente hacia ARRIBA.
6. Coloque el interruptor en la posición de encendido. Espere a que la hoja alcance la máxima velocidad.
7. Baje la hoja de la sierra a través de la pieza de trabajo y empuje el cabezal de la sierra hacia la posición totalmente RETRAÍDO.
8. Suelte el interruptor de encendido y espere a que la hoja se detenga por completo antes de levantar el cabezal de la sierra.

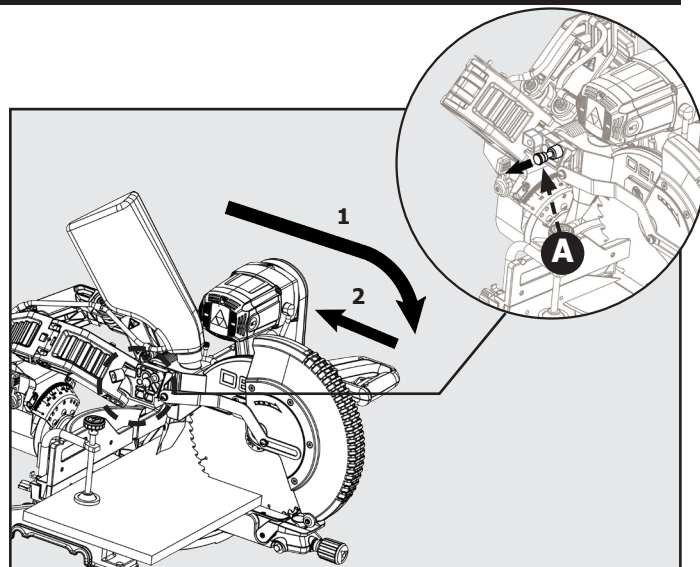


Figura 22

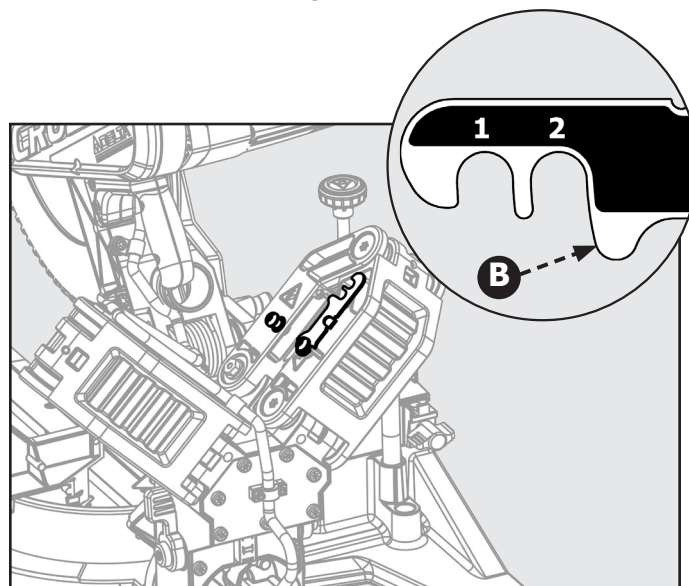


Figura 23

## RECOMENDACIONES PARA CORTAR MOLDURAS TIPO CORONA

- Los dos bordes de la moldura que hacen contacto con el techo y la pared están en ángulos que, cuando se combinan, equivalen a exactamente 90°. La mayoría de las molduras tipo corona tienen un ángulo posterior superior (la sección que se coloca de forma plana contra el techo) de 52° y un ángulo posterior inferior (la sección que se coloca de forma plana contra la pared) de 38°.
- Para cortar de forma precisa molduras tipo corona para una esquina interior o exterior de 90°, coloque la moldura con su superficie posterior ancha de forma plana sobre la mesa de inglete y contra la guía tope.
- Los ángulos de las molduras tipo corona deben ser sumamente precisos. Los ángulos de biselado e inglete son interdependientes. Al cambiar un ángulo, también se cambiará el otro.
- Debido a que es sumamente sencillo que la pieza de trabajo se mueva, todos los ajustes deberán probarse en primer lugar en una moldura de descarte. Además, la mayoría de las paredes no tienen ángulos de exactamente 90°, por lo tanto, deberá realizar ajustes precisos.
- Al cortar una moldura tipo corona, el ángulo de biselado deberá fijarse en 33,85°.
- El ángulo de inglete deberá fijarse en 31,62°, ya sea a la derecha o izquierda, en función del corte deseado para la aplicación. Consulte la tabla que aparece a continuación para conocer los ajustes de ángulos correctos y el posicionamiento correcto de las molduras tipo corona en la mesa de trabajo.

# FUNCIONAMIENTO

Ajuste de ángulo de biselado	Tipo de corte	Pasos
33,85°	Lado izquierdo, esquina interior	1. Borde superior de la moldura contra la guía tope 2. Mesa de inglete ajustada a la derecha en 31,62° 3. Conserve el extremo izquierdo del corte
33,85°	Lado derecho, esquina interior	1. Borde inferior de la moldura contra la guía tope 2. Mesa de inglete ajustada a la izquierda en 31,62° 3. Conserve el extremo izquierdo del corte
33,85°	Lado izquierdo, esquina exterior	1. Borde inferior de la moldura contra la guía tope 2. Mesa de inglete ajustada a la izquierda en 31,62° 3. Conserve el extremo derecho del corte
33,85°	Lado derecho, esquina exterior	1. Borde superior de la moldura contra la guía tope 2. Mesa de inglete ajustada a la derecha en 31,62° 3. Conserve el extremo derecho del corte

## GUÍA TOPE AUXILIAR

Para el corte de determinadas piezas de trabajo, es posible que sea necesaria un área de superficie de guía tope más grande para poder colocar la pieza de trabajo. La guía tope auxiliar deberá ser de madera gruesa de 3/4". Utilice los orificios que están preperforados en la guía tope para colocar una guía tope auxiliar.

**⚠ ADVERTENCIA:** Nunca utilice una guía tope auxiliar que interfiera o haga contacto con el cabezal de la sierra. Compruebe siempre el espacio libre entre la guía tope auxiliar y el cabezal de la sierra antes de realizar cortes.

**⚠ ADVERTENCIA:** Para realizar cortes deslizantes con una guía tope auxiliar, se deberá realizar una muesca en la guía tope auxiliar antes de colocarla en la guía tope de la sierra.

**⚠ ADVERTENCIA:** La guía tope auxiliar se puede utilizar únicamente con el ángulo de bisel de 0 grados. Extraiga la guía tope auxiliar antes de realizar un corte biselado.

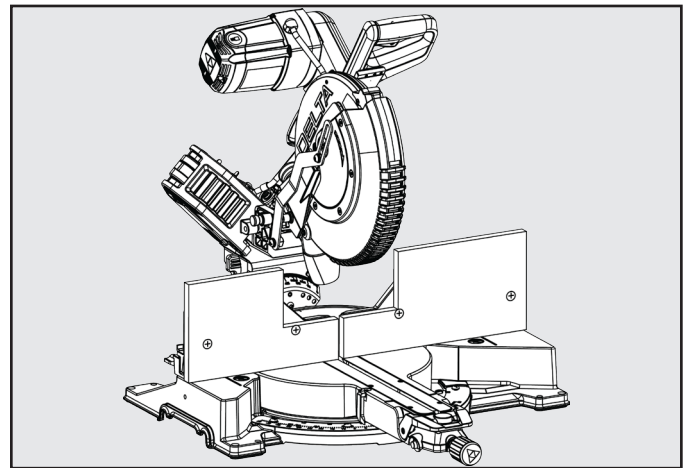


Figura 24

1. Consulte la Figura 25 para conocer las dimensiones de la guía tope auxiliar.
2. Coloque la madera de la guía tope auxiliar contra la guía tope de la sierra ingletadora. Consulte la Figura 24. La altura máxima para esta madera no deberá exceder 6,5". Asegúrese de que la guía tope auxiliar no entre en contacto con el cabezal de la sierra y compruebe que el cabezal de la sierra esté en la posición completamente hacia ABAJO y RETRAÍDO.
3. Marque las ubicaciones de los orificios en la parte posterior de la tabla de la guía tope auxiliar.
4. Realice perforaciones en las ubicaciones de los orificios marcadas por completo a través de la guía tope auxiliar. Avellane los orificios perforados de la parte frontal de la tabla de la guía tope auxiliar.
5. Sujete la guía tope auxiliar con tornillos de cabeza plana. Asegure desde la parte posterior con arandelas planas y tuercas.
6. Realice un corte de profundidad completa a través de la guía tope auxiliar para crear la ranura de la hoja.
7. Se deberá cortar la muesca que se muestra en la Figura 25 para poder llevar a cabo cortes deslizantes con la guía tope auxiliar.

### 4 orificios de montaje

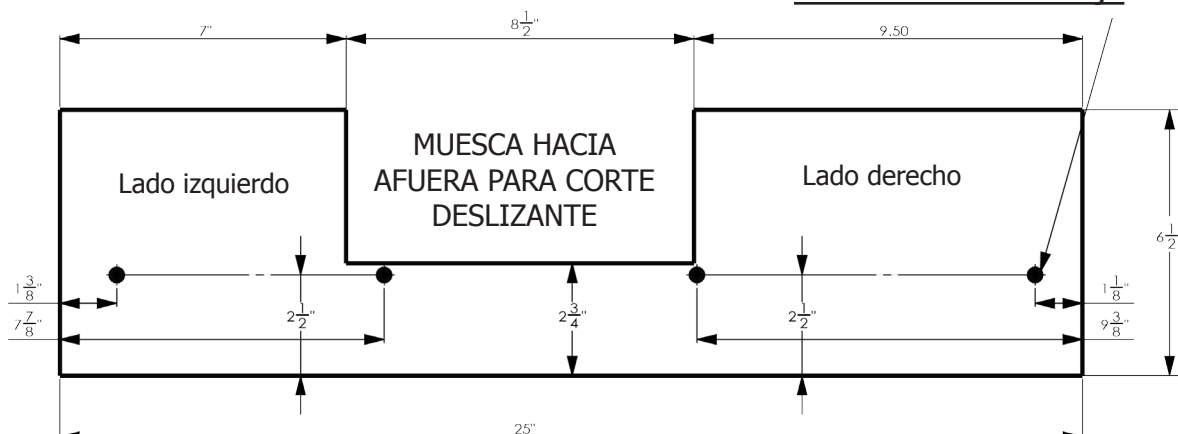


Figura 25

# FUNCIONAMIENTO

## AUMENTO DE LA CAPACIDAD DE CORTE

Esta sierra está diseñada para permitir cortes de gran capacidad de hasta (2" x 18"). Para poder realizar estos cortes, deberá ajustar la sierra de forma adecuada.

**⚠ ADVERTENCIA:** No utilice una tabla de mesa auxiliar que no podrá brindar un apoyo completo para la pieza de trabajo durante la operación de corte.

1. Afloje la perilla de bloqueo de guía tope (A). Deslice la guía tope superior (ajustable) (B) completamente fuera de su guía y colóquela en la parte lateral. Consulte la Figura 26.
2. Voltee las lengüetas de apoyo (C) hacia su posición. Las lengüetas (C) están ubicadas en el lado izquierdo y derecho de la guía tope inferior (fija). Estas funcionarán como el tope posterior de la pieza de trabajo. Consulte la Figura 28.
3. Deberá agregar una tabla de mesa auxiliar (D) para brindar apoyo para la pieza que requiere un corte de gran capacidad (E). Coloque la tabla de mesa auxiliar de 2" x 14" (D) en la mesa de la sierra y contra la sección inferior (fija) de la guía tope de la sierra. Asegúrese de que la tabla esté colocada de forma segura contra la guía tope inferior (fija).

**NOTA:** Utilice tornillos para madera para asegurar la tabla de la mesa auxiliar (D) a la guía tope inferior (fija). Consulte la Figura 28.

4. Utilice las lengüetas de apoyo (C) para asegurar la pieza de trabajo antes de realizar algún corte.

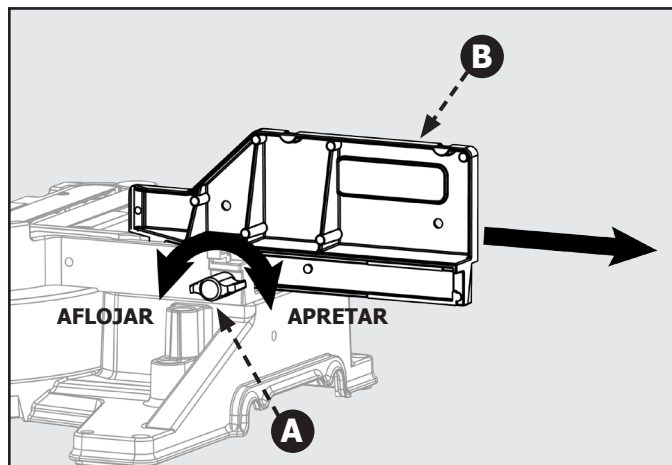


Figura 26

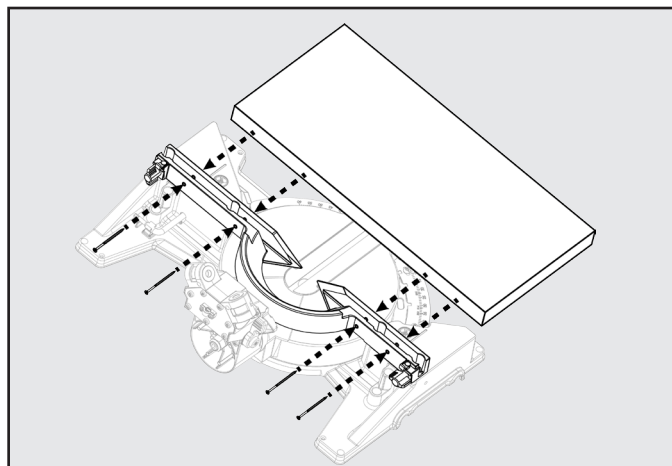


Figure 27

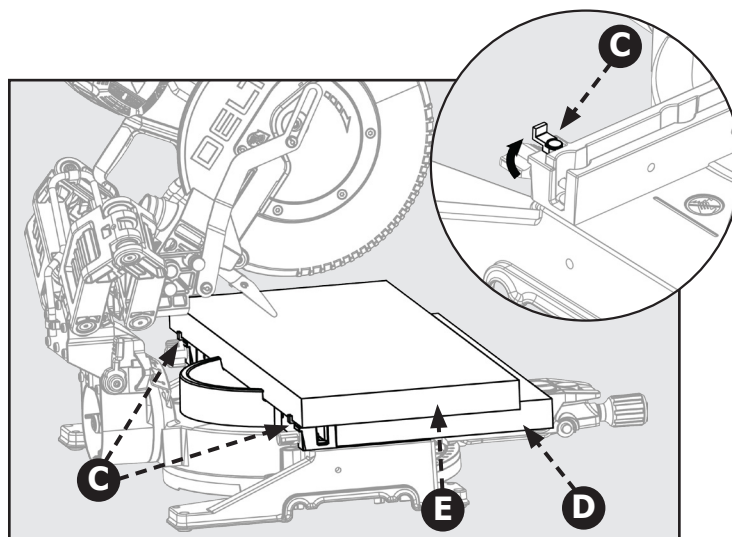


Figura 28

## ALINEACIÓN DE LA HOJA CON LA MESA

La sierra está calibrada de fábrica para cortar de forma perfecto. Con el paso del tiempo, es posible que la calibración de la sierra se desvíe y sea necesario volver a calibrarla.

Consulte la Figura 29

1. Cómo desenchufar la sierra
2. Baje el cabezal de la sierra completamente hacia abajo hasta la posición de transporte y coloque el pasador de bloqueo del cabezal de la sierra para mantenerlo en su lugar. Empuje la sierra hasta la posición totalmente retraída y coloque el bloqueo de prevención de deslizamiento para fijarla en su lugar.
3. Coloque la posición de inglete en 0 grados y coloque la perilla de bloqueo de inglete para que la sierra no se mueva.
4. Establezca la posición de bisel en 0 grados. Coloque la palanca de pestillo de bisel para que el pasador de freno quede asegurado en la placa de freno de bisel.
5. Coloque una escuadra combinada (A) contra la mesa y el lado de la hoja de la sierra.

**NOTA:** Asegúrese de que la escuadra haga contacto con la parte plana de la hoja y no con los dientes.

6. Gire la hoja a mano y compruebe la alineación hoja-mesa en varios puntos. Si el lado de la hoja no queda al ras con la escuadra, deberá ajustar la placa de freno de bisel (B).
7. Afloje los tres tornillos (C) y ajuste la posición de la placa de freno de bisel. Coloque la mesa y la hoja de tal forma que queden al ras contra la escuadra combinada. Asegúrese de que la manija de bloqueo/desbloqueo de bisel no esté bloqueada a fin de que pueda ajustarse la placa de freno.
8. Vuelva a apretar los tres tornillos y a comprobar la alineación de la hoja con la mesa.

**NOTA:** Esta sierra posee dos indicadores de escala, uno en la escala de bisel y otro en la escala de inglete. Después de que se realicen los ajustes de escuadra, es posible que sea necesario aflojar los tornillos de los indicadores (D) y restablecerlos a 0.

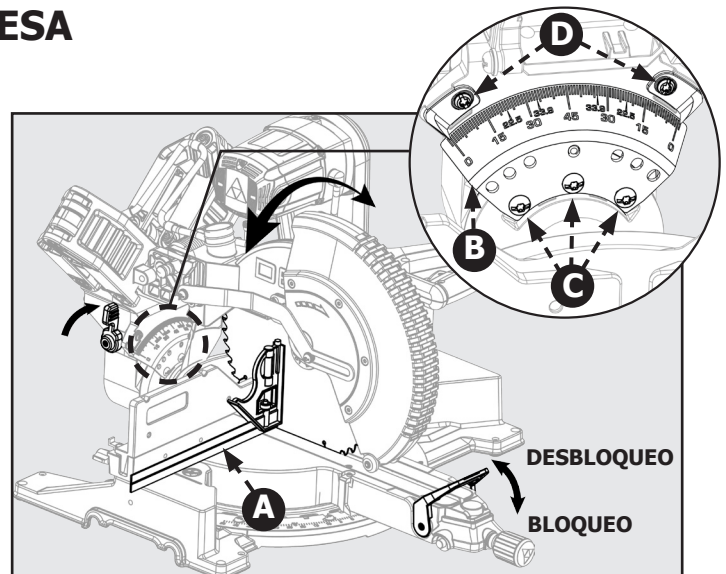


Figura 29

## ALINEACIÓN DE LA HOJA CON LA GUÍA TOPE

La sierra está calibrada de fábrica para cortar de forma perfecto. Con el paso del tiempo, la calibración de la hoja podría desviarse y se requerirá volver a calibrar.

Consulte la Figura 30.

1. Cómo desenchufar la sierra
2. Baje el cabezal de la sierra completamente hacia abajo hasta la posición de transporte y coloque el pasador de bloqueo del cabezal de la sierra para mantenerlo en su lugar. Empuje el cabezal de la sierra hasta la posición totalmente retraído y coloque la varilla de prevención de deslizamiento para sujetarla en su lugar.
3. Coloque la posición de inglete en 0 grados y permita que el freno de inglete se bloquee en su posición.
4. Establezca la posición de bisel en 0 grados. Coloque la manija de bloqueo de bisel para bloquear el ángulo de bisel.
5. Coloque una escuadra (E) contra la guía tope y la parte frontal de la hoja de la sierra.

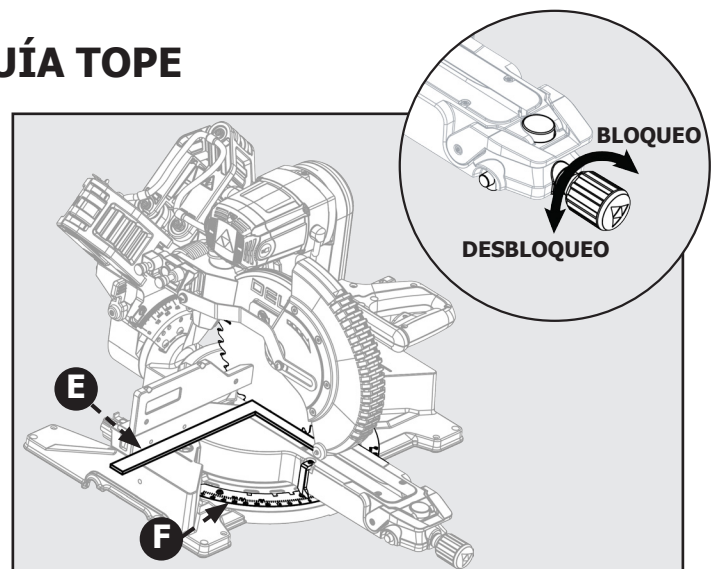


Figura 30

**LAS INSTRUCCIONES CONTINÚAN EN LA PÁGINA SIGUIENTE**



# AJUSTES

## ALINEACIÓN DE LA HOJA CON LA GUÍA TOPE (CONTINUACIÓN)

**NOTA:** Asegúrese de que la escuadra haga contacto con la parte plana de la hoja y no con los dientes.

1. Si el lado de la hoja no queda al ras con la escuadra, deberá ajustar la placa de freno de inglete.

Consulte la Figura 31.

2. Afloje los cuatro tornillos (A) y mueva la mesa de inglete para ajustar la posición de la placa de freno de inglete. Coloque la guía tope y la hoja de tal forma que queden al ras contra la escuadra combinada. Asegúrese de que la perilla de bloqueo de inglete no esté bloqueada a fin de que pueda ajustarse la placa de freno de inglete.
3. Vuelva a apretar los cuatro tornillos y a comprobar la alineación de la hoja con la guía tope-

**NOTA:** Esta sierra posee dos indicadores de escala, uno en la escala de bisel y otro en la escala de inglete. Después de que se realicen los ajustes de escuadra, es posible que sea necesario aflojar los tornillos de los indicadores (B) y restablecerlos a 0.

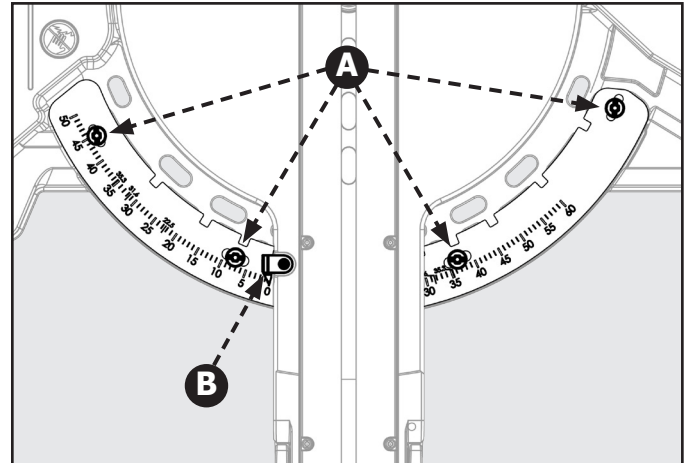


Figura 31

## AJUSTE DEL TOPE DE PROFUNDIDAD

Esta sierra ingletadora está equipada con un tope de profundidad ajustable para realizar cortes pasantes y cortes no pasantes.

**Consulte la Figura 32 y siga estas instrucciones para establecer el tope de profundidad en la profundidad de corte específica:** gire el soporte del tope (C) hacia la izquierda hasta la posición hacia abajo. Ahora puede ajustar la profundidad del corte girando el tornillo de ajuste de profundidad (D).

**Consulte la Figura 32 y siga estas instrucciones para realizar un corte pasante:** gire el soporte del tope (C) hacia la derecha hasta la posición hacia arriba.

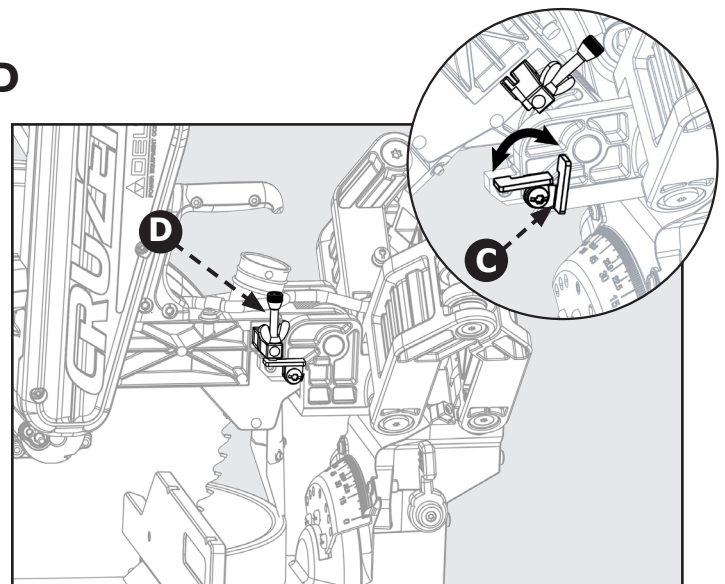


Figura 32

## EXTENSIÓN DE LA GUÍA TOPE

Esta sierra está equipada con una guía tope de extensión ajustable. Para extender o retraer la guía tope, consulte la Figura 33 y siga estas instrucciones: Afloje la perilla de bloqueo (E) girando hacia la izquierda y deslice la guía tope (F) hacia la posición deseada. Asegúrese de volver a apretar la perilla de bloqueo (E) girando hacia la derecha.

**⚠ PELIGRO:** Asegúrese siempre de que la perilla de bloqueo (E) esté apretada antes de realizar un corte. De lo contrario, podría ocurrir lesiones.

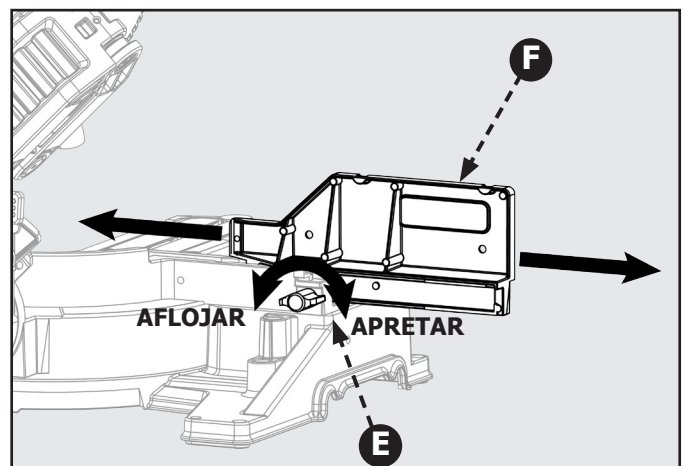


Figura 33

## RESISTENCIA AL DESLIZAMIENTO

Consulte la Figura 34.

Puede ajustar la resistencia al deslizamiento (fricción) de su sierra. Utilice una llave hexagonal de 5mm. Ubique el tornillo de ajuste de fricción de los brazos de la sierra (A). Gire hacia la derecha para apretar la fricción de deslizamiento. Gire hacia la izquierda para aflojar la fricción de deslizamiento.

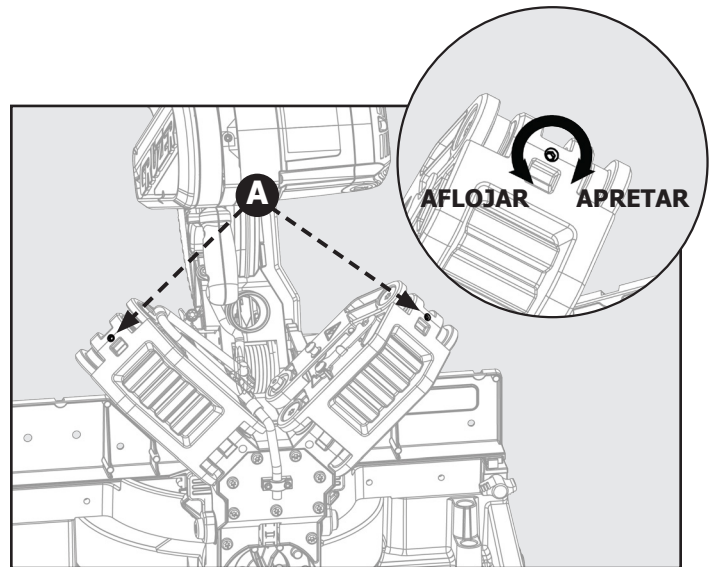


Figura 34

## PLACA DE GARGANTA

**⚠ ADVERTENCIA:** Utilice únicamente piezas de reemplazo autorizadas de Delta®. El uso de piezas no autorizadas puede provocar daños en la máquina y lesiones personales graves.

En caso de que sea necesario reemplazar la placa de garganta por cualquier razón, siga estas instrucciones. Consulte las Figuras 35 y 36.

1. Afloje las perillas de bloqueo de la guía tope. Deslice las guías tope superiores (ajustables) completamente fuera de la guía tope inferior (fija).
2. Extraiga los cuatro tornillos (B) de la guía tope inferior (fija) (C). Levante la guía tope fuera de la sierra.
3. Extraiga los seis tornillos (D) que sujetan la placa de garganta. Levante la placa de garganta fuera del brazo de inglete.
4. Reemplace la placa de garganta utilizando únicamente una pieza de reemplazo autorizada de Delta®.
5. Apriete los seis tornillos (D) que sujetan la placa de garganta.
6. Vuelva a colocar la guía tope inferior (fija) y apriete los cuatro tornillos (B) que la sujetan.

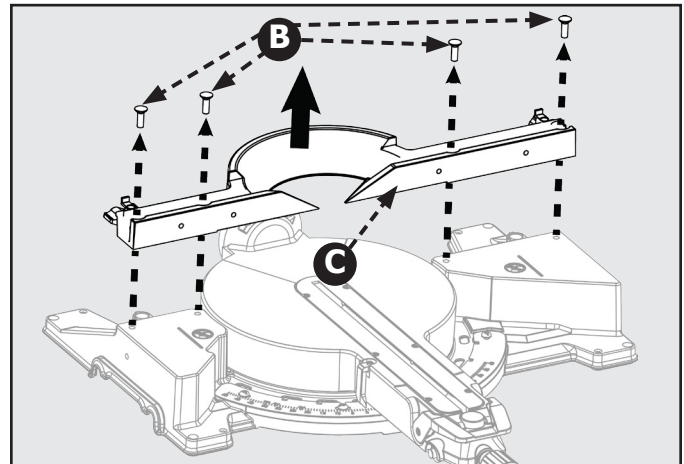


Figura 35

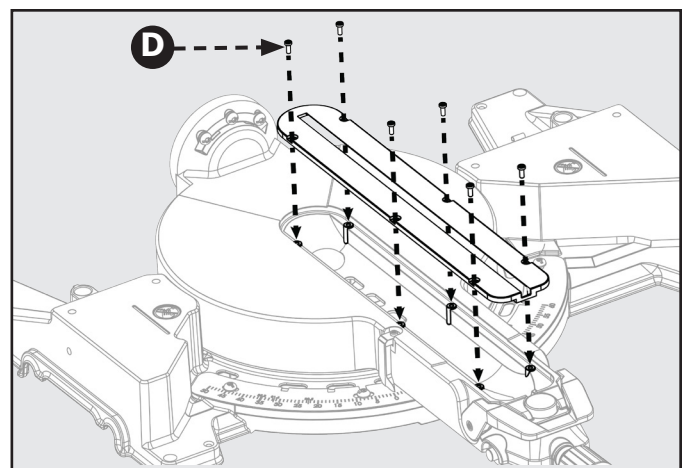


Figura 36

# MANTENIMIENTO

**⚠ ADVERTENCIA:** Para reducir el riesgo de lesiones, apague la unidad y desconéctela de la fuente de alimentación, antes de limpiar o realizar el mantenimiento, instalar y extraer accesorios, antes de ajustar y al realizar reparaciones. Un arranque accidental puede provocar una lesión.

## CÓMO MANTENER LIMPIA LA HERRAMIENTA

**⚠ ADVERTENCIA:** Sopletee periódicamente todos los conductos de aire con aire comprimido seco. Todas las partes de plástico deben limpiarse con un paño húmedo y suave. NUNCA utilice solventes para limpiar las partes de plástico. Pueden disolver o dañar de alguna manera el material. Use equipo de seguridad certificado para protección ocular, auditiva y respiratoria al usar aire comprimido.

Vacíe con frecuencia la bolsa de polvo.

Durante el servicio técnico de la herramienta, utilice solamente piezas de reemplazo idénticas. El uso de cualquier otra pieza puede representar un peligro y provocar daños en el producto.

## MANTENIMIENTO GENERAL

Evite utilizar solventes al limpiar las piezas de plástico. La mayoría de los plásticos son susceptibles a los daños provocados por los diferentes tipos de solventes comerciales y podrían sufrir daños a partir de su uso. Utilice paños limpios para quitar la suciedad, el polvo, el aceite, la grasa, etc.

## REEMPLAZO DE LAS ESCOBILLAS

El motor de esta sierra posee conjuntos de escobillas de acceso externo que deberán inspeccionarse de forma periódica para comprobar si están desgastados. Si es necesario reemplazar las escobillas, consulte la Figura 37 y realice los siguientes pasos:

Desenchufe la sierra.

**⚠ ADVERTENCIA:** No desenchufar la sierra podría causar un arranque accidental que provoque lesiones personales graves.

Afloje los tornillos (A) y extraiga la tapa del motor (B). Con un destornillador de cabeza plana, extraiga cuidadosamente la tapa de las escobillas (C).

**NOTA:** Extraiga lentamente la tapa. El conjunto de las escobillas posee un sistema de sujeción por resorte y saldrá hacia fuera una vez que se extraiga la tapa.

Extraiga el conjunto de escobillas (D).

Inspeccione ambas escobillas. Si alguna de las dos escobillas tiene menos de 60 cm (1/4") de carbono restante, se deberán reemplazar ambas escobillas.

**NOTA:** No reemplace la escobilla de un lado sin reemplazar la del otro.

Inserte ambas escobillas en el tubo de las escobillas (E), asegurándose de que la curvatura de las escobillas coincida con la curvatura del motor. El conjunto de escobillas deberá moverse libremente dentro del tubo.

Vuelva a colocar con cuidado la tapa de las escobillas, asegurándose de que no quede con las roscas cruzadas.

Apriete la tapa de las escobillas de forma segura. No apriete en exceso.

**⚠ ADVERTENCIA:** Bajo ninguna circunstancia, permita que líquidos de frenos, gasolina, productos a base de petróleo, aceites penetrantes, etc. entren en contacto con las piezas de plástico. Los químicos pueden dañar, debilitar o destruir los plásticos, lo que podría provocar lesiones personales graves.

Las herramientas eléctricas utilizadas en materiales de fibra de vidrio, paneles de yeso, compuestos de resanar o yeso están sujetas a desgaste acelerado y posibles fallas prematuras debido a que las partículas y limaduras de fibra de vidrio son altamente abrasivas para los cojinetes, escobillas, conmutadores, etc. Por consiguiente, no recomendamos utilizar esta herramienta para el trabajo prolongado en estos tipos de materiales. Sin embargo, si trabaja con alguno de estos materiales, es sumamente importante que limpie la herramienta con aire comprimido.

## LUBRICACIÓN

Todos los cojinetes de esta herramienta están lubricados con una cantidad suficiente de lubricante de alta calidad para toda la vida útil de la herramienta. Por lo tanto, no se requiere ninguna lubricación adicional.

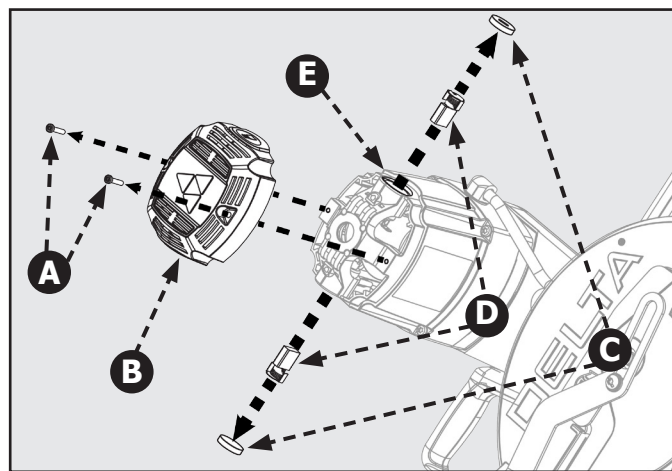


Figura 37

# RESOLUCIÓN DE PROBLEMAS

## LA SIERRA NO ARRANCA

Si su máquina no arranca, verifique que las clavijas del enchufe tengan un buen contacto con el tomacorriente. Asimismo, verifique que no haya fusibles fundidos o un disyuntor abierto en su línea de fuente de alimentación. Si la sierra sigue sin arrancar, comuníquese con el Centro de atención al cliente de la empresa al 1-800-223-7278.

# ACCESORIOS

Para obtener información sobre los accesorios, visite nuestro sitio web para acceder a un catálogo en línea o para encontrar el nombre de su distribuidor más cercano.

**⚠ ADVERTENCIA:** Puesto que los accesorios distintos a los ofrecidos por DELTA® aún no han sido probados con este producto, el uso de dichos accesorios podría ser peligroso. Para lograr el funcionamiento más seguro, solo deben usarse accesorios recomendados por DELTA® con este producto.

## ASISTENCIA PARA PIEZAS, SERVICIO O GARANTÍA

Todas las máquinas y accesorios CRUZER están fabricados con los estándares de calidad más altos y su servicio técnico es realizado a través de una red de centros de servicio técnico autorizados. Para obtener información adicional relacionada con el producto o para obtener piezas, solicitar el servicio técnico o asistencia en garantía, o conocer la ubicación del centro de servicio técnico más cercano, comuníquese al 1-800-223-7278.

### Garantía limitada de 5 años

**1. COBERTURA.** Delta Power Equipment Corporation (en adelante, "la Empresa"), reparará o reemplazará, a su sola opción, este producto, si se adquirió en un comercio minorista de los Estados Unidos y Canadá y se demostró que el producto, con su uso normal, tiene defectos en los materiales o mano de obra, sujeto a las condiciones establecidas en esta garantía limitada. Esta garantía limitada cubre únicamente materiales y mano de obra. Todos los costos de transporte quedan a cargo del cliente.

**2. PERÍODO DE GARANTÍA.** Todos los reclamos en garantía deberán enviarse en el plazo de 3 años a partir de la fecha de la compra en el comercio minorista. En el caso de piezas de reemplazo y productos reacondicionados de fábrica, el período de garantía será de 180 días.

**3. CÓMO OBTENER EL SERVICIO TÉCNICO EN GARANTÍA.** A fin de obtener el servicio técnico en garantía, deberá devolver el producto defectuoso, a cuenta propia, a un centro de servicio técnico autorizado por la Empresa para la ejecución del servicio técnico en garantía (un "Centro de servicio técnico autorizado por la Empresa") dentro del período de garantía aplicable, junto con un comprobante de compra válido, como el recibo original que incluya la fecha de compra o un número de registro del producto. La Empresa se reserva el derecho de restringir el servicio técnico en garantía al país donde se realizó la compra y/o cobrar por el costo de exportar las piezas de reemplazo u ofrecer el servicio técnico en garantía en otro país. Para este propósito, las compras en línea se consideran como realizadas en los Estados Unidos. Para conocer la ubicación del Centro de servicio técnico autorizado por la empresa más cercano, comuníquese con el Centro de atención al cliente de la empresa al 1-800-223-7278.

#### 4. EXCLUSIONES.

- La Empresa no ofrece ninguna garantía a productos adquiridos en condición de usados o dañados.
- La Empresa no concede ninguna garantía a productos adquiridos fuera de los Estados Unidos o Canadá.
- La Empresa no será responsable de ningún daño que surja a partir del desgaste normal, uso indebido, uso incorrecto o cualquier reparación o modificación realizada por personas que no pertenezcan al Centro de servicio técnico autorizado de la Empresa o no sean un representante designado del Centro de atención al cliente de la Empresa.

Todas las **GARANTÍAS IMPLÍCITAS** están limitadas al período de garantía establecido anteriormente.

La Empresa no será responsable de daños **ACCIDENTALES O CONSECUENTES**.

Esta garantía es la única garantía de la Empresa y se establece como la reparación exclusiva del cliente, con respecto a productos defectuosos; la Empresa desconoce todas las otras garantías, expresas o implícitas, sean de comerciabilidad, adecuación para un propósito, excepto que se detalle explícitamente en esta declaración de garantía.

Algunos estados no permiten la exclusión o limitación de los daños accidentales o consecuentes, ni la limitación de las garantías implícitas, por lo tanto, las limitaciones o exclusiones anteriores podrían no aplicarse a su caso. Esta garantía le concede derechos legales específicos y es posible que posea otros derechos, que varían en determinados estados o provincias. Para obtener información detallada sobre la cobertura de la garantía e información sobre la reparación en garantía, comuníquese al 1-800-223-7278. Para registrar sus productos en línea, le recomendamos que visite nuestro sitio web y se registre para obtener una cuenta de miembro de DELTA® gratuita en <http://www.deltamachinery.com/register>.

**LATINOAMÉRICA:** Esta garantía no se aplica a productos comercializados en Latinoamérica. Para productos vendidos en América Latina, llame a la empresa local o visite el sitio web para obtener información sobre la garantía.

## PIEZAS DE REEMPLAZO

Utilice solamente piezas de reemplazo idénticas. Para obtener una lista de las piezas o solicitar piezas, visite nuestro sitio web en [www.DeltaMachinery.com/service](http://www.DeltaMachinery.com/service). También puede solicitar las piezas a través del Centro de servicio técnico en garantía autorizado más cercano o comunicándose con el gerente de servicio técnico al 1-800-223-7278 para recibir asistencia personalizada de uno de nuestros representantes altamente capacitados.

## REEMPLAZO GRATIS DE LAS ETIQUETAS DE ADVERTENCIA

Si sus etiquetas de advertencia se tornan ilegibles o faltasen, llame al 1-800-223-7278 para obtener etiquetas gratis de reemplazo.

## MANTENIMIENTO Y REPARACIONES

Todas las herramientas de alta calidad requerirán eventualmente el mantenimiento y/o reemplazo de las piezas. Para obtener información sobre Delta Power Equipment Corporation, sus filiales con fábricas propias o para encontrar un Centro de servicio técnico en garantía autorizado, visite nuestro sitio web [www.DeltaMachinery.com/service](http://www.DeltaMachinery.com/service) o comuníquese con el servicio de atención al cliente al 1-800-223-7278. Todas las reparaciones realizadas por nuestros centros de servicio técnico están totalmente garantizadas frente a defectos en los materiales y mano de obra. No podemos ofrecer una garantía para las reparaciones realizadas o intentadas realizar por otras personas. Al comunicarse con este número, también puede encontrar respuestas a las preguntas más frecuentes las 24 horas del día.

También puede escribirnos para obtener más información a la siguiente dirección: Delta Power Equipment Corporation, 2651 New Cut Road, Spartanburg, SC 29303 -

A la atención de: Gerente de servicio técnico. Asegúrese de incluir toda la información que aparece en la placa de identificación de la sierra (modelo, tipo, número de sierra, código de fecha, etc.).



**2651 New Cut Road  
Spartanburg, SC 29303  
(800) 223-7278**

**[www.DeltaMachinery.com](http://www.DeltaMachinery.com)**

Copyright© 2017 Delta Power Equipment Corporation

DPEC004795

Rev: 3

07-25-2017

