



**Digital Inverter Generator
Model No. P*Si*2100RT
Replacement Parts List**

OWT INDUSTRIES, INC.

P.O. Box 35, Highway 8
Pickens, SC 29671 USA
1-877-617-3501
01 800 843 11 11

991000075
1-19-16 (Rev:03)

DIGITAL INVERTER GENERATOR – MODEL NUMBER PSI2100RT

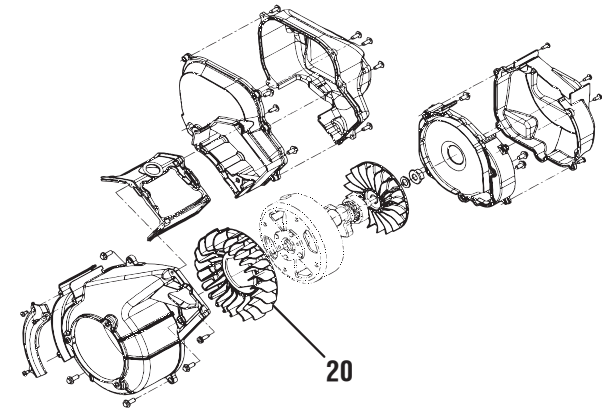
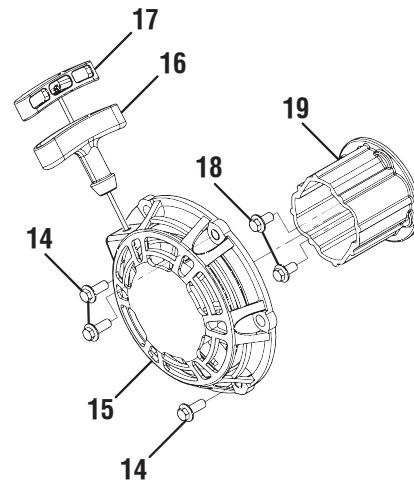
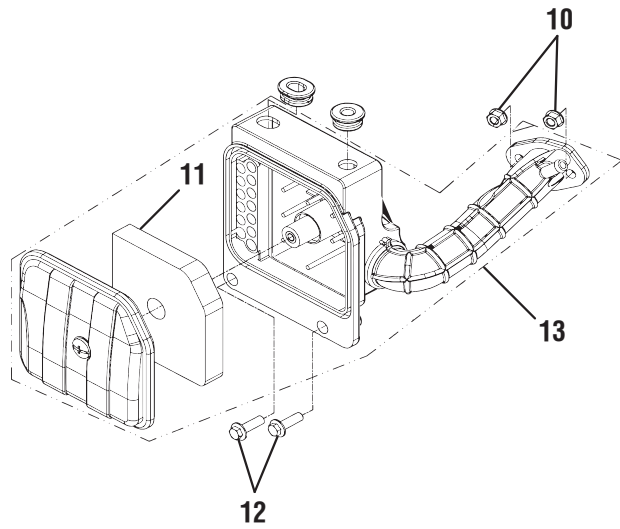
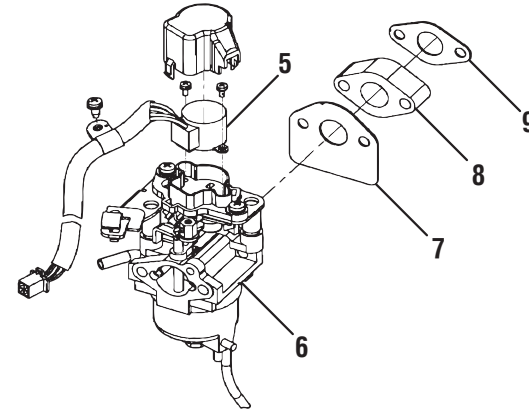
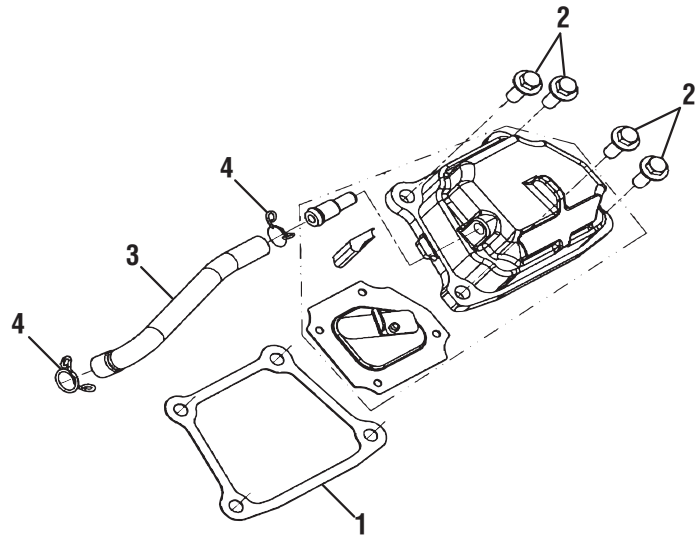


FIGURE A

DIGITAL INVERTER GENERATOR – MODEL NUMBER PSI2100RT

The model number will be found on a label attached to the motor housing. Always mention the model number in all correspondence regarding your **DIGITAL INVERTER GENERATOR** or when ordering parts.

PARTS LIST – FIGURE A

KEY NO.	PART NUMBER	DESCRIPTION	QTY	KEY NO.	PART NUMBER	DESCRIPTION	QTY
1	LH148F-014003	Cylinder Head Cover Gasket	1	13	LH148F-101000	Air Filter Assembly	1
2	GB-T5789-1986M6x16	Bolt (M6 x 16 mm, Flange Hd.)	4	14	GB/T5789-1986M6x16	Bolt (M6 x 16 mm, Flange Hd.)	3
3	LH148F-014004	Engine Vent Hose.....	1	15	LH2000I-331000	Recoil Starter Disc Set.....	1
4	QC-T621-1999-10	Clip (M10).....	2	16	LH2000I-331301	Recoil Handle.....	1
5	LH148F-091200	Stepper Motor Assembly	1	17	LH2000I-331302	Recoil Handle Cover	1
6	LH148F-091100A	Carburetor Assembly	1	18	GB/T5789-1986M6x12	Bolt (M6 x 12 mm, Flange Hd.)	2
7	LH148F-090001	Intake Seat Gasket.....	1	19	LH2000I-330001	Recoil Starter Driving Disc	1
8	LH148F-090002	Carburetor Seat Adapter.....	1	20	LH2000i-350001	Front Fan.....	1
9	LH148F-090003	Adapter Rear Gasket.....	1	Not Shown:			
10	GB-T6177.1-2000-M6	Flange Nut (M6).....	2		120968007	High Altitude Kit (2000 - 6000ft) (Not Included)	
11	LH148F-100001	Air Filter Element	1		120968008	High Altitude Kit (6000 - 9000ft) (Not Included)	
12	GBT57891986M618	Bolt (M6 x 12 mm, Flange Hd.)	2				

NOTE A: OWT Industries, Inc., will not provide engines as replacement parts. Engines are covered through the engine manufacturer's warranty. Consult the accompanying engine manual or contact our service department for assistance.
 * Not all parts shown on the exploded view are available. Some parts are shown to identify position and location of parts that are available.

DIGITAL INVERTER GENERATOR – MODEL NUMBER PSI2100RT

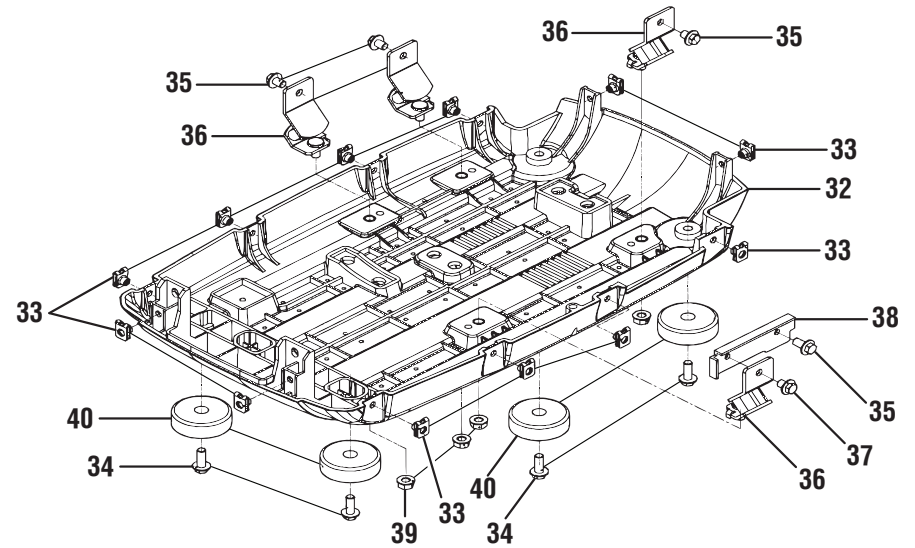
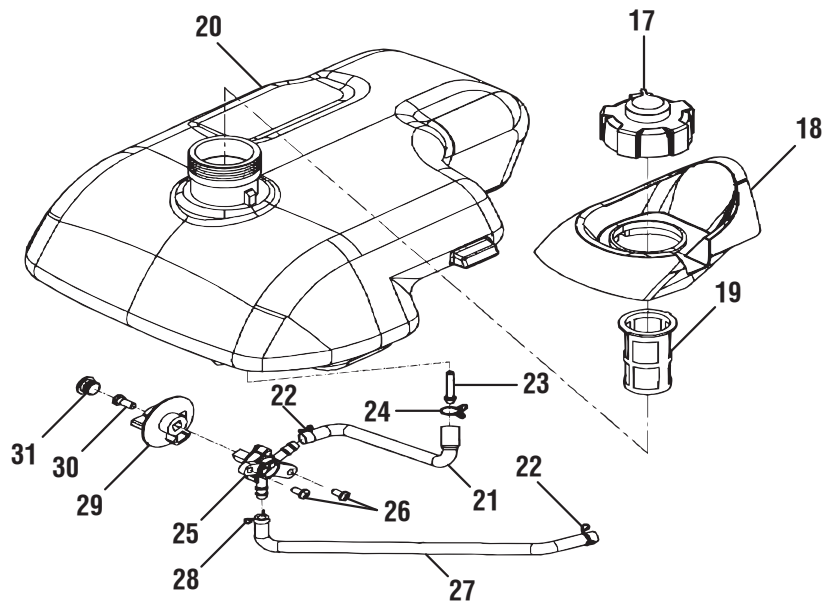
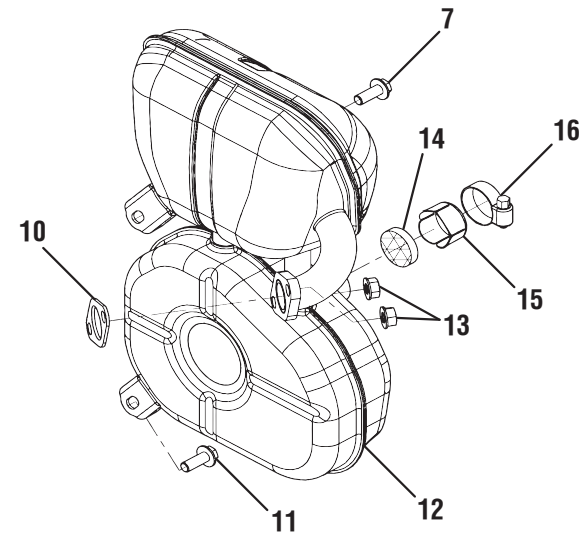
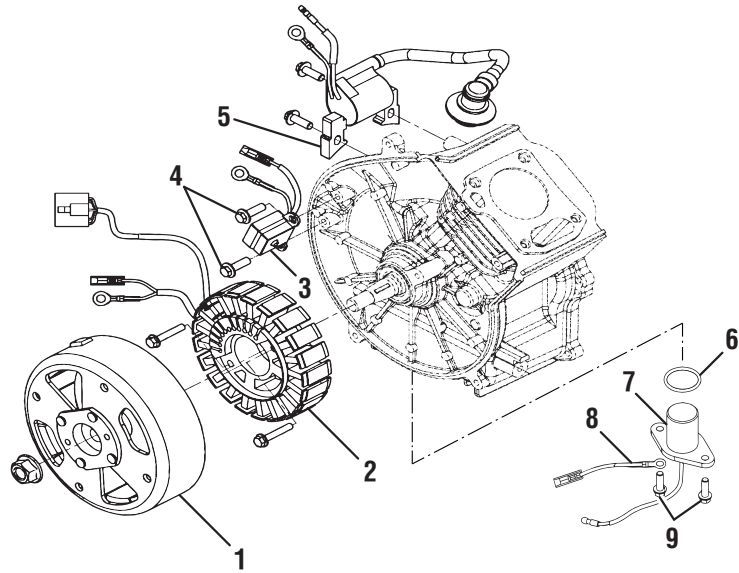


FIGURE B

DIGITAL INVERTER GENERATOR – MODEL NUMBER PSI2100RT

The model number will be found on a label attached to the motor housing. Always mention the model number in all correspondence regarding your **DIGITAL INVERTER GENERATOR** or when ordering parts.

PARTS LIST – FIGURE B

KEY NO.	PART NUMBER	DESCRIPTION	QTY	KEY NO.	PART NUMBER	DESCRIPTION	QTY
1	LH2000I-311100	Rotor Assembly.....	1	21	LH2000I-370001A	Fuel Hose	1
2	LH2000I-311200A	Stator Assembly.....	1	22	QC/T621-1999-8.5	Clip Q671B (8.5 mm).....	2
3	LH2000I-312000	Pickup Coil.....	1	23	LH1000I-374200	Inline Fuel Filter	1
4	GBT57891986M516	Bolt (M5 x 16 mm, Flange Hd.)	2	24	QC/T621-1999-10	Clip (10 mm).....	2
5	LH2000I-313000	Ignition Coil Assembly.....	1	25	LH1000I-373000	Fuel Switch Assembly.....	1
6	LH142F-012009	O-Ring (28 x 2.5).....	1	26	GB-T845-F-H-st4.2x13	Screw (ST4.2 x 13 mm).....	2
7	LH142F-012200A	Oil Level Sensor Assembly	1	27	LH2000I-370002A	Fuel Hose	1
8	LH1000i-365000	Ground Wire	1	28	QC-T621-1999-8	Clip (8 mm).....	1
9	GB-T5789-1986M6x12	Bolt (M6 x 12 mm, Flange Hd.)	2	29	LH200I-370003	Main Switch Knob.....	1
10	LH1000I-320001	Exhaust Pipe Gasket.....	1	30	GB9074.5-88-M4x12	Screw w/Washer (ST4.2 x 12 mm, Pan Hd.).....	1
11	GB/T5789-1986M6x12	Bolt (M6 x 12 mm, Flange Hd.)	2	31	LH1000I-370008	Knob Cover	1
12	LH2000I-321000	Muffler Assembly	1	32	LH2000I-393000	Base Plate.....	1
13	GB/T6177.1-2000-M6	Hex Nut (M6)	2	33	LH1000I-381004	U-Clip w/ Nut (M5)	12
14	LH2000I-321018	Spark Arrestor	1	34	GB-T5789-1986M6x16	Bolt (M6 x 16 mm, Flange Hd.)	4
15	LH2000I-321019	Spark Arrestor Bracket.....	1	35	GB-T5789-1986M6x12	Bolt (M6 x 12 mm, Flange Hd.)	4
16	JB/T8870-1999-32	Adjustable Clamp.....	1	36	LH2000I-391000	Isolator	4
17	LH1000I-374300	Fuel Tank Cap	1	37	GB/T5789-1986M6x8	Bolt (M6 x 8 mm, Flange Hd.)	1
18	LH2000I-371001	Overspill Guard	1	38	LH2000I-392000	Bracket (Engine).....	1
19	LH1000I-374100	Fuel Filling Strainer.....	1	39	GB/T6177.1-2000-M6	Flange Nut (M6).....	4
20	310711162	Fuel Tank.....	1	40	LH2000I-394000	Rubber Foot	4

NOTE A: OWT Industries, Inc., will not provide engines as replacement parts. Engines are covered through the engine manufacturer's warranty. Consult the accompanying engine manual or contact our service department for assistance.
 * Not all parts shown on the exploded view are available. Some parts are shown to identify position and location of parts that are available.

DIGITAL INVERTER GENERATOR – MODEL NUMBER PSI2100RT

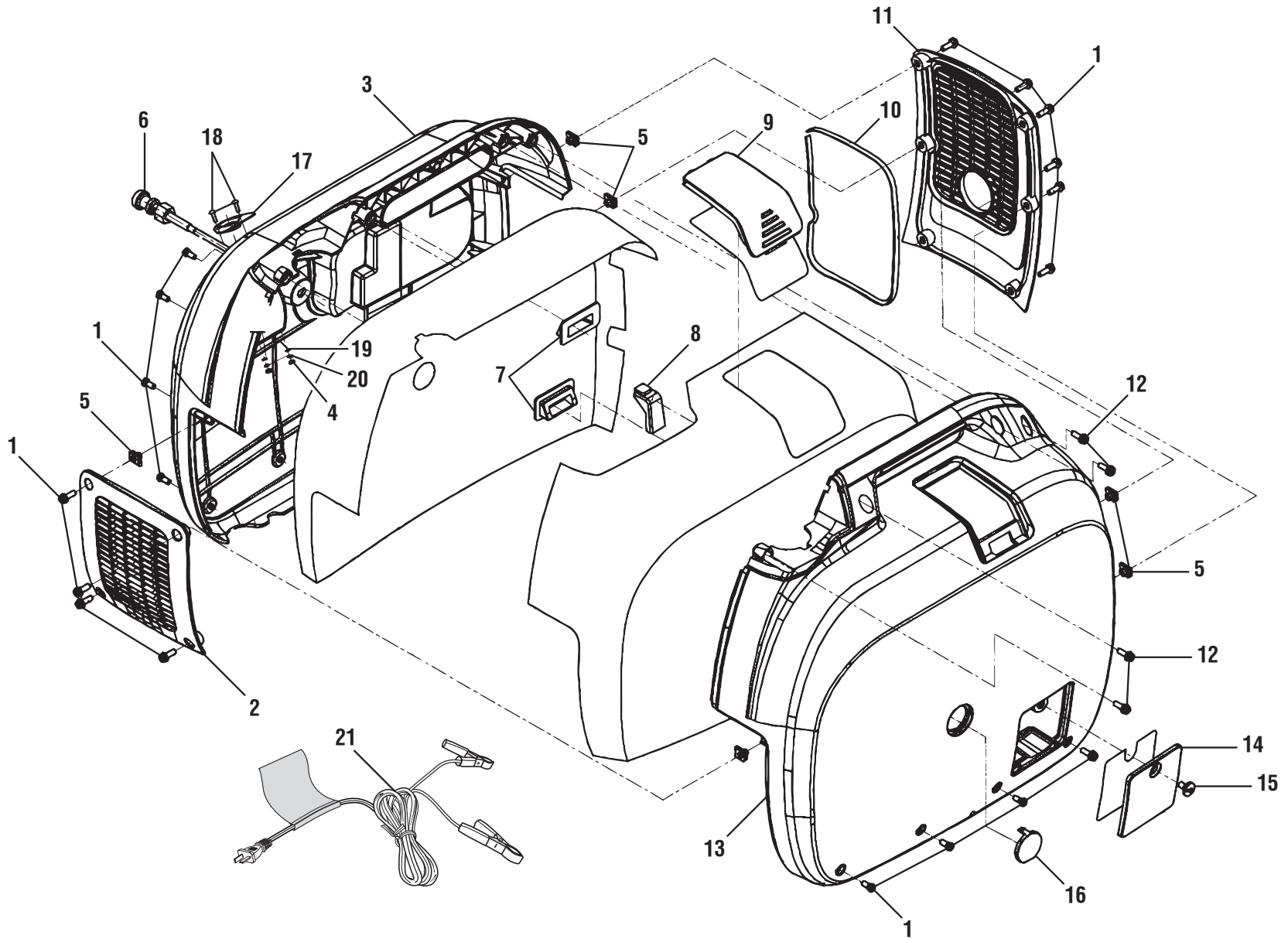


FIGURE C

DIGITAL INVERTER GENERATOR – MODEL NUMBER PSI2100RT

The model number will be found on a label attached to the motor housing. Always mention the model number in all correspondence regarding your **DIGITAL INVERTER GENERATOR** or when ordering parts.

PARTS LIST – FIGURE C

KEY NO.	PART NUMBER	DESCRIPTION	QTY	KEY NO.	PART NUMBER	DESCRIPTION	QTY
1	GB-T9074.1-1988-M5x12	Screw (M5 x 12 mm)	18	14	LH2000I-384001-G	Oil Fill Cover.....	1
2	LH2000I-385100	Air Intake Cover.....	1	15	LH1000I-384002	Bolt (M6 x 13 mm).....	1
3	LH2000I-383100-G	Right Panel w/ Sound Foam	1	16	LH2000I-380001-G	Fuel Drain Cover	1
4	GB-T6170-2000M3	Hex Nut (M3).....	2	17	LH2000I-383001	Recoil Starter Bracket.....	1
5	LH1000I-381004	U-Clip w/ Nut (M5).....	6	18	GB823-1986	Screw (M3 x 10 mm).....	2
6	LH2000I-383003	Choke Lever.....	1	19	GB-T97-1-2002 4	Washer (M4).....	2
7	LH2000I-381002	Isolator.....	2	20	GB-T93-1987-3	Spring Washer (M3).....	2
8	LH2000I-381003	Bumper.....	1	21	LH1000I-366000	DC Charging Cable.....	1
9	LH2000I-382001-G	Spark Plug Cover.....	1	Not Shown:			
10	LH1000I-385003	Seal Ring.....	1	991000448	Operator's Manual		
11	LH2000I-386100	Muffler Outer Cover.....	1	991000449	Quick Start Guide		
12	GB-T9074-1-1988M5x15	Screw (M5 x 15 mm)	4	991000209	Emissions Warranty Insert		
13	LH2000I-381100-G	Left Panel w/ Sound Foam.....	1				

NOTE A: OWT Industries, Inc., will not provide engines as replacement parts. Engines are covered through the engine manufacturer's warranty. Consult the accompanying engine manual or contact our service department for assistance.
 * Not all parts shown on the exploded view are available. Some parts are shown to identify position and location of parts that are available.

DIGITAL INVERTER GENERATOR – MODEL NUMBER PSI2100RT

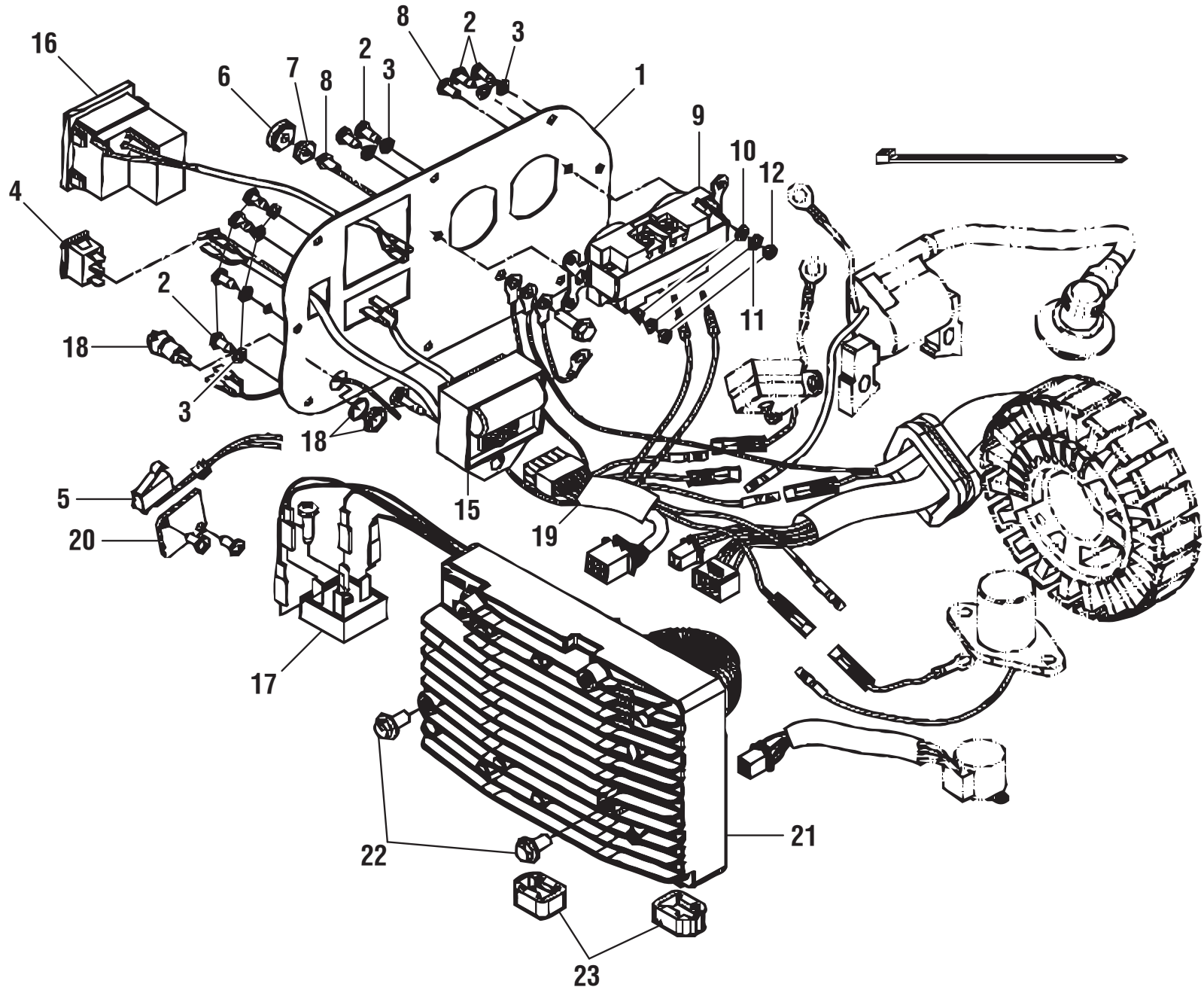


FIGURE D

DIGITAL INVERTER GENERATOR – MODEL NUMBER PSI2100RT

The model number will be found on a label attached to the motor housing. Always mention the model number in all correspondence regarding your **DIGITAL INVERTER GENERATOR** or when ordering parts.

PARTS LIST – FIGURE D

KEY NO.	PART NUMBER	DESCRIPTION	QTY	KEY NO.	PART NUMBER	DESCRIPTION	QTY
1	LH2000I-361001C	Control Panel Faceplate.....	1	13	GB-T5789-1986-M5X16	Bolt (M6 x 16 mm, Flange Hd.)	1
2	GB-T845-F-H-st4.2x13	Screw (ST4.2 x 13 mm).....	8	14	LH1000I-361400A	Ground Line Assembly.....	1
3	LH1000I-361006	Washer (ID4 x OD10 x 1.6t).....	8	15	LH2000I-361600	Indicator Light TCI Set	1
4	LH1000I-361300	Smart Throttle Switch	1	16	LH2000I-361100	12V DC Receptacle.....	1
5	LH2000I-364100	On/Off Switch.....	1	17	LH2000I-366000	12V AC to DC Regulator	1
6	LH1000I-360002	Knurled Nut (M5).....	1	18	LH1000I-361900	Reset Switch.....	1
7	GB-T6177.1-2000-M5	Flange Nut (M5).....	1	19	LH2000I-363000	Multiple End Control Panel	1
8	GB9074.5-88	Screw (M4 x 12 mm)	2	20	LH1000I-364001	Main Switch Cover.....	1
9	LH1000I-361800	120V-20A Duplex Receptacle	1	21	290991009	Inverter Module	1
10	GB-T848-2002-4	Washer (ID4 x OD8 x 0.5t).....	2	22	LH1000I-362002	Bolt (M6 x 12 mm).....	2
11	GB-T93-1987-4	Spring Washer (M4).....	2	23	LH1000I-362001	Isolator	2
12	GB-T6170-2000-M4	Hex Nut (M4)	2				

NOTE A: OWT Industries, Inc., will not provide engines as replacement parts. Engines are covered through the engine manufacturer's warranty. Consult the accompanying engine manual or contact our service department for assistance.
 * Not all parts shown on the exploded view are available. Some parts are shown to identify position and location of parts that are available.

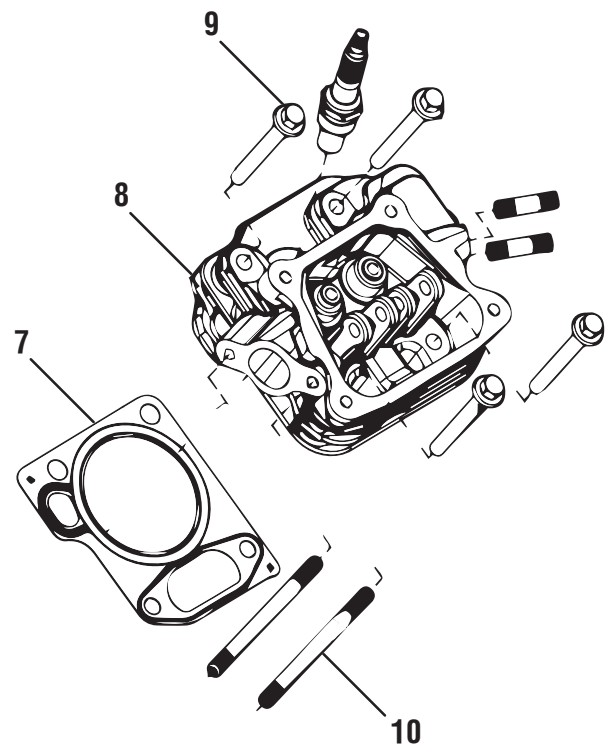
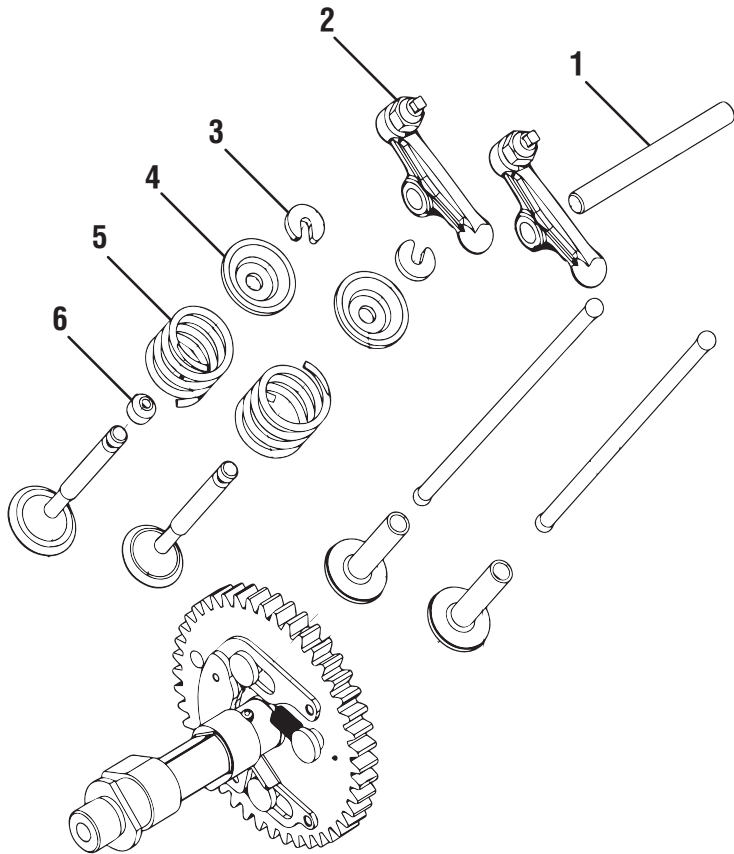


FIGURE E

DIGITAL INVERTER GENERATOR – MODEL NUMBER PSI2100RT

The model number will be found on a label attached to the motor housing. Always mention the model number in all correspondence regarding your **DIGITAL INVERTER GENERATOR** or when ordering parts.

PARTS LIST – FIGURE E

KEY NO.	PART NUMBER	DESCRIPTION	QTY
1	LH148F-020009	Valve Rocker Arm Shaft	1
2	LH148F-022000	Valve Rocker Arm Set	2
3	LH148F-020008	Valve Key.....	2
4	LH148F-020007	Valve Spring Retainer.....	2
5	LH148F-020006	Valve Spring	2
6	LH148F-020005	Valve Oil Seal	1
7	LH148F-013002	Gasket, Cylinder Head	1
8	LH148F-013100	Cylinder Head Set	1
9	GB-T5789-1986-M6x50	Bolt (M6x50, Flange)	4
10	LH148F-013001	Stud Bolt, Carburetor.....	2

NOTE A: OWT Industries, Inc., will not provide engines as replacement parts. Engines are covered through the engine manufacturer's warranty. Consult the accompanying engine manual or contact our service department for assistance.

* Not all parts shown on the exploded view are available. Some parts are shown to identify position and location of parts that are available.

DIGITAL INVERTER GENERATOR – MODEL NUMBER PSI2100RT

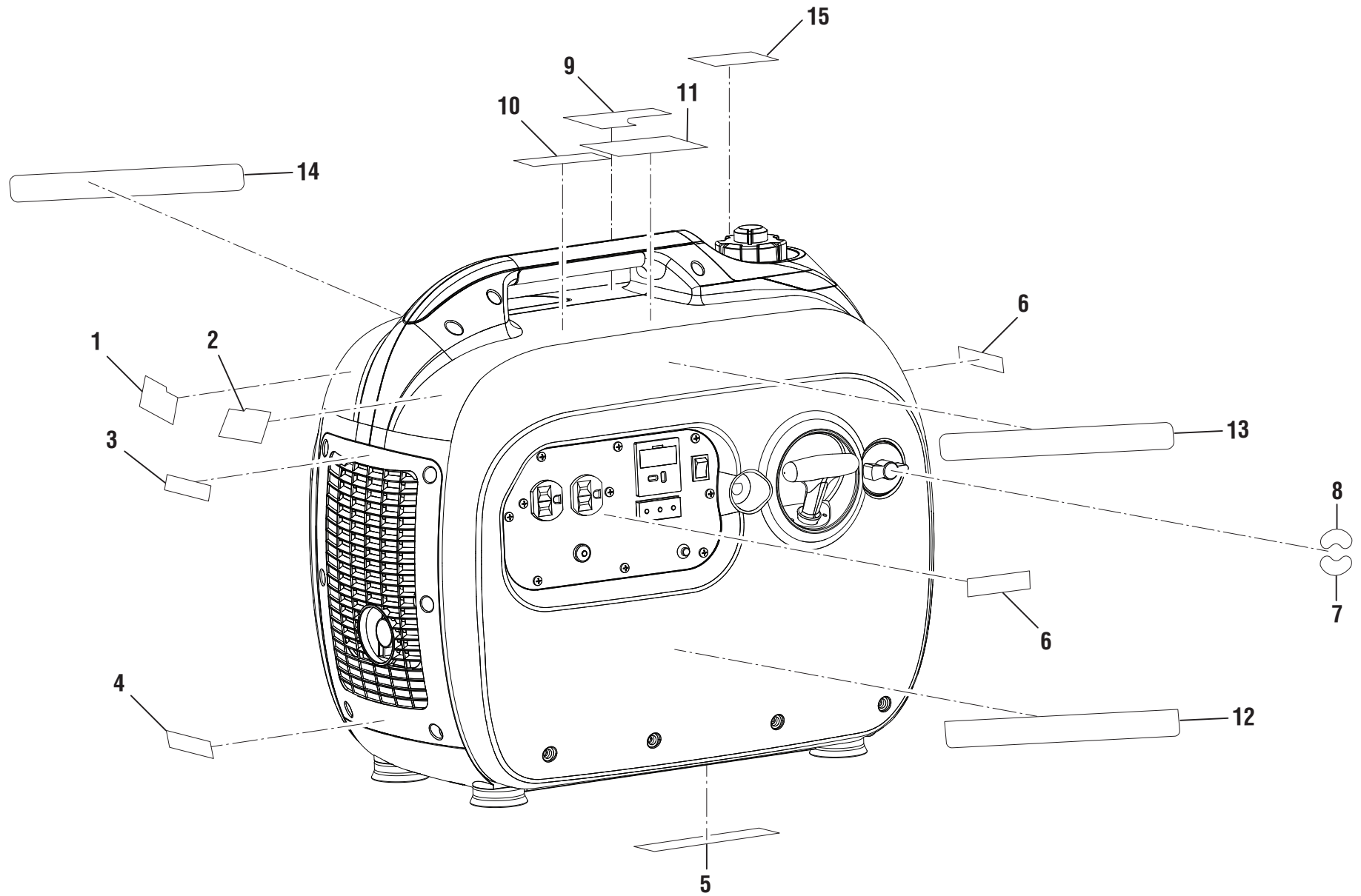


FIGURE F

DIGITAL INVERTER GENERATOR – MODEL NUMBER PSI2100RT

The model number will be found on a label attached to the motor housing. Always mention the model number in all correspondence regarding your **DIGITAL INVERTER GENERATOR** or when ordering parts.

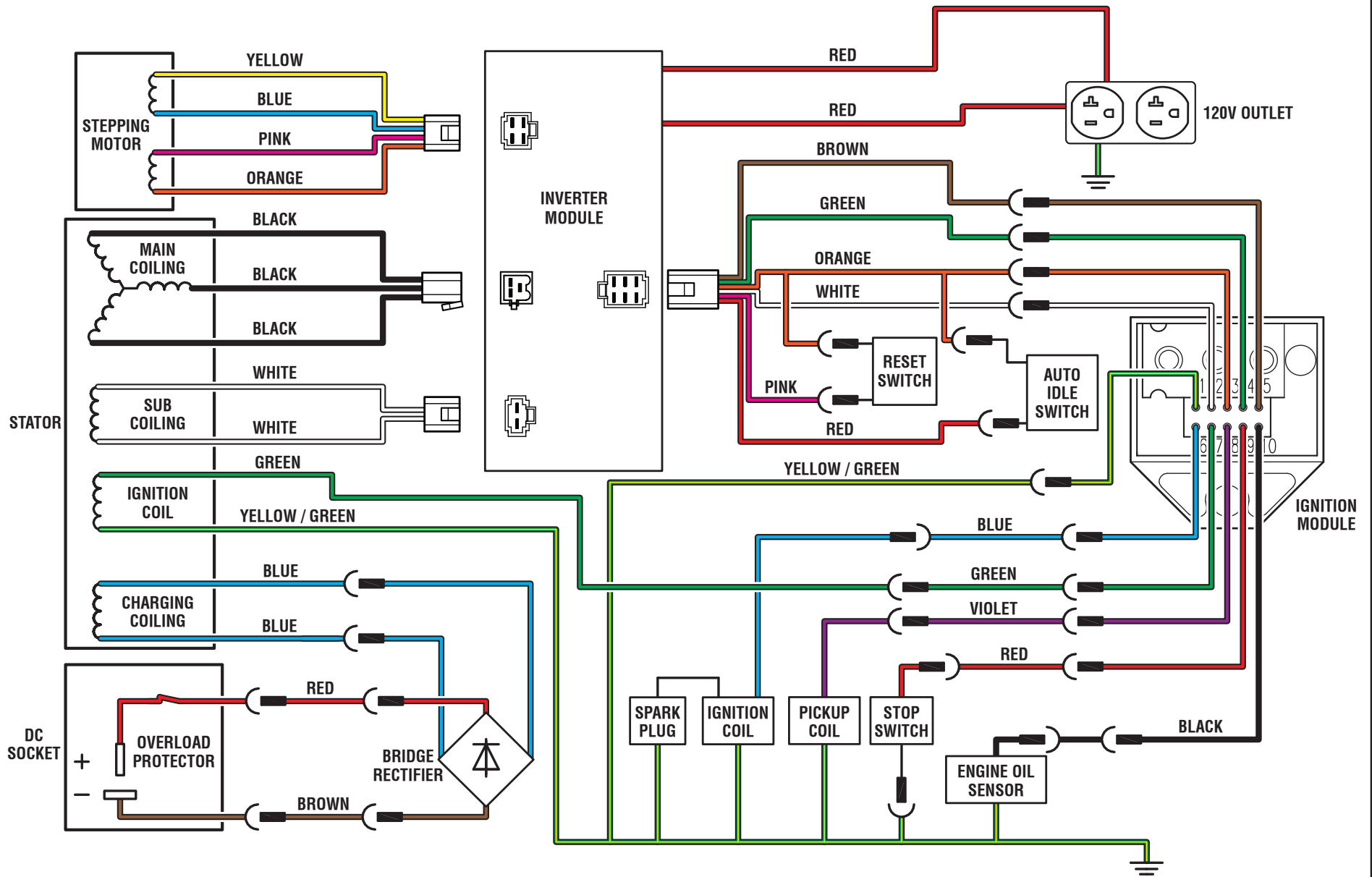
PARTS LIST – FIGURE F

KEY NO.	PART NUMBER	DESCRIPTION	QTY
1	940974016	Fire Distance Label	1
2	940513031	Lubricant Label	1
3	940680066	Hot Surface Label	1
4	940947016	Combustion Label.....	1
5	940678379	Data Label.....	1
6	940705238	Logo Label	2
7	940698031	"ON" Label	1
8	940698032	"OFF" Label.....	1
9	940617139	Start Label.....	1
10	940515021	CPSC Label.....	1
11	940707035	Danger Icon Label.....	1

NOTE A: OWT Industries, Inc., will not provide engines as replacement parts. Engines are covered through the engine manufacturer's warranty. Consult the accompanying engine manual or contact our service department for assistance.

* Not all parts shown on the exploded view are available. Some parts are shown to identify position and location of parts that are available.

DIGITAL INVERTER GENERATOR - MODEL NUMBER PSI2100RT



Wiring Diagram