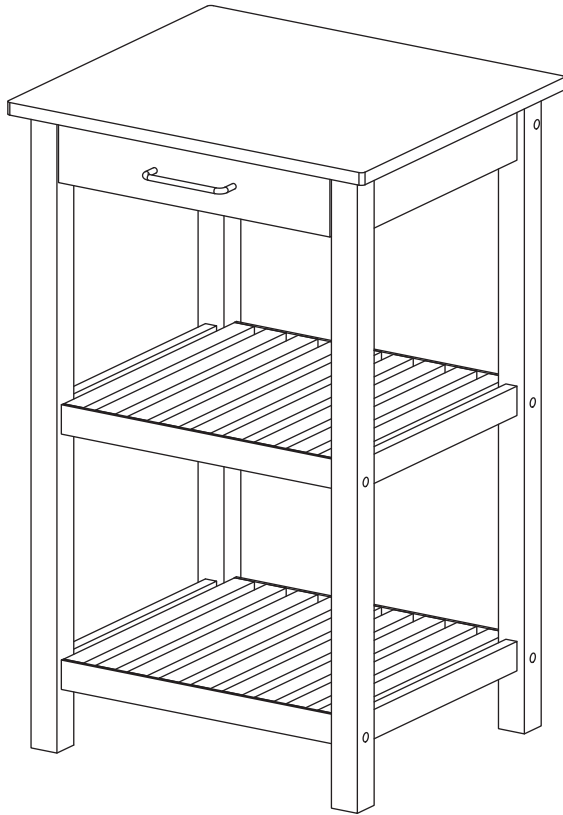
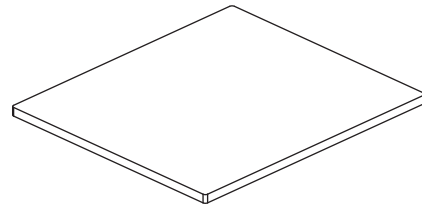


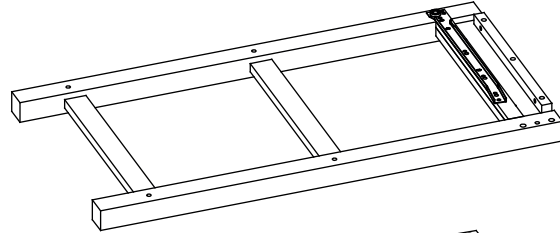
Assembly Instruction
 Item# 373-0X
 Sunrise Kitchen Island (Small)
 with Solid Maple Top



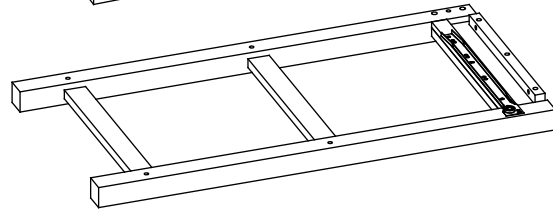
Parts List



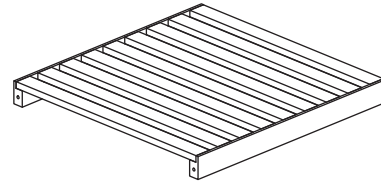
A
 Table Top
 1 Pc.



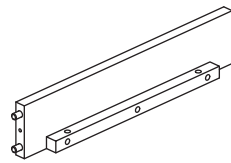
B
 Left Panel
 1 Pc.



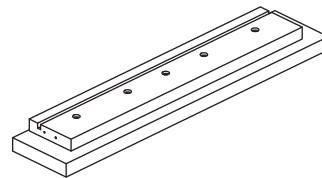
C
 Right Panel
 1 Pc.



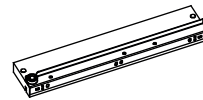
D
 Shelves
 2 Pcs.



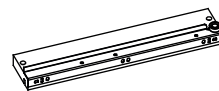
E
 Back Panel
 1 Pc.



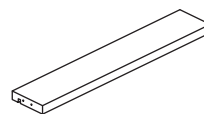
F
 Drawer Front
 1 Pc.



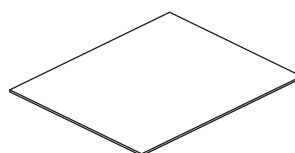
G
 Drawer Left
 1 Pc.



H
 Drawer Right
 1 Pc.

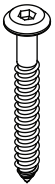


I
 Drawer Back
 1 Pc.



J
 Drawer Plate
 1 Pc.

Hardware



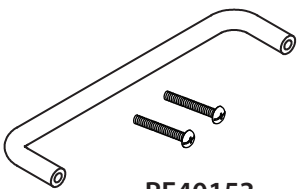
RF10051
 JCA 1/4" x 50
 10 Pcs.



RF10003
 JCA 1/4" x 32
 6 Pcs.



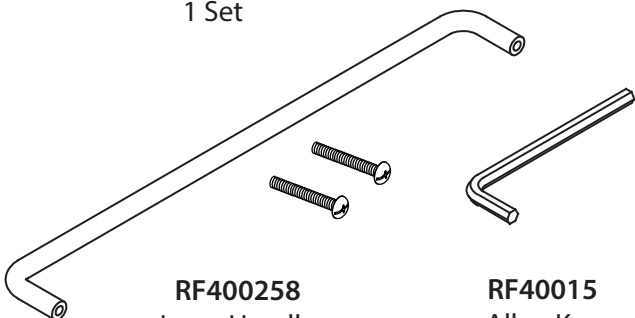
RF10030
 Drywall F6 x 1"
 8 Pcs.



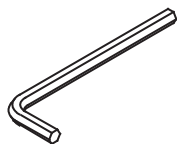
RF40153
 Short Handle
 1 Set



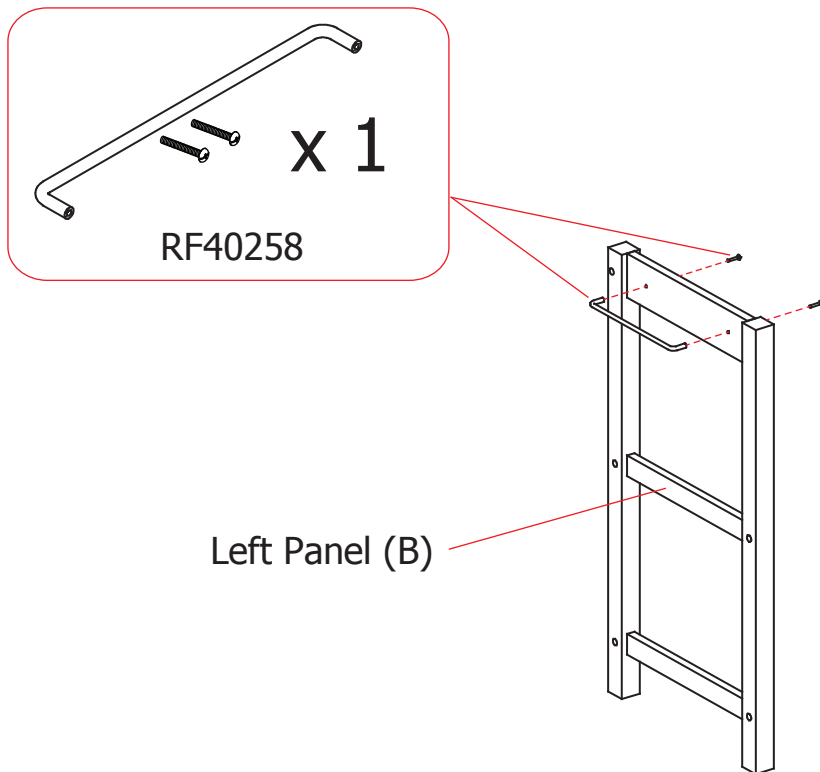
RF40001
 Wood Plug
 10 Pcs.



RF400258
 Long Handle
 1 Set

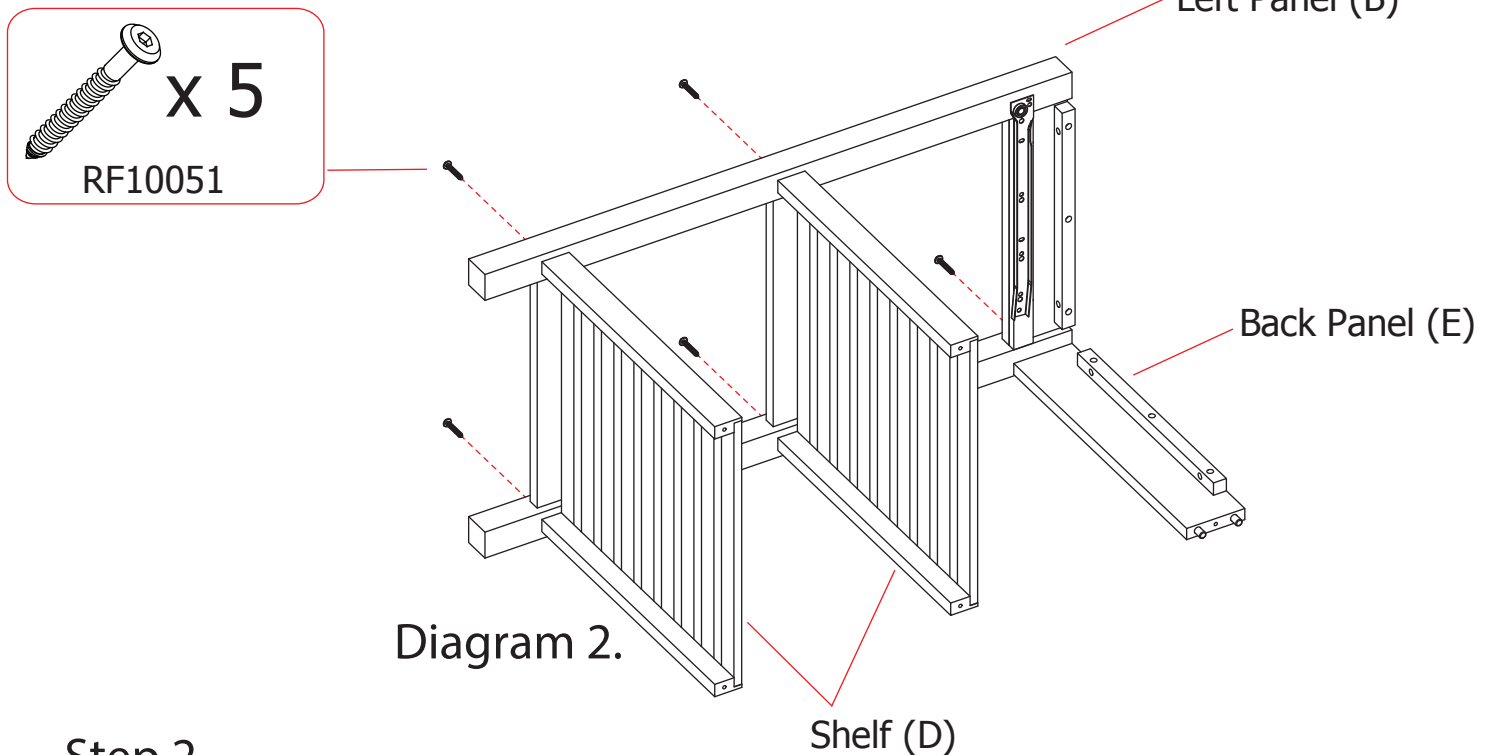


RF40015
 Allen Key
 1 Pc.



Step 1.

Attach Long Handle (RF40258) into the Left Panel (B) as per Diag.1.



Step 2.

Attach Left Panel (B), 2 Shelves (D) and Back Panel (E) together by using screws (RF10051) as per Diag.2.

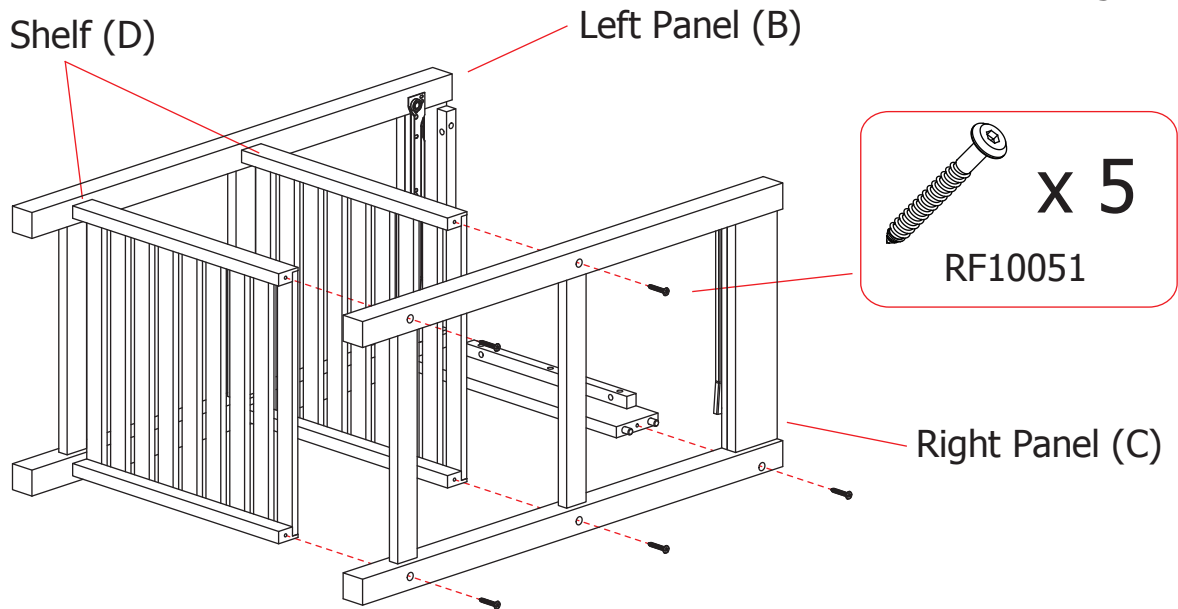


Diagram 3.

Step 3.
Attach Right Panel (C) into the unit by using screws (RF10051) as per Diag.3.

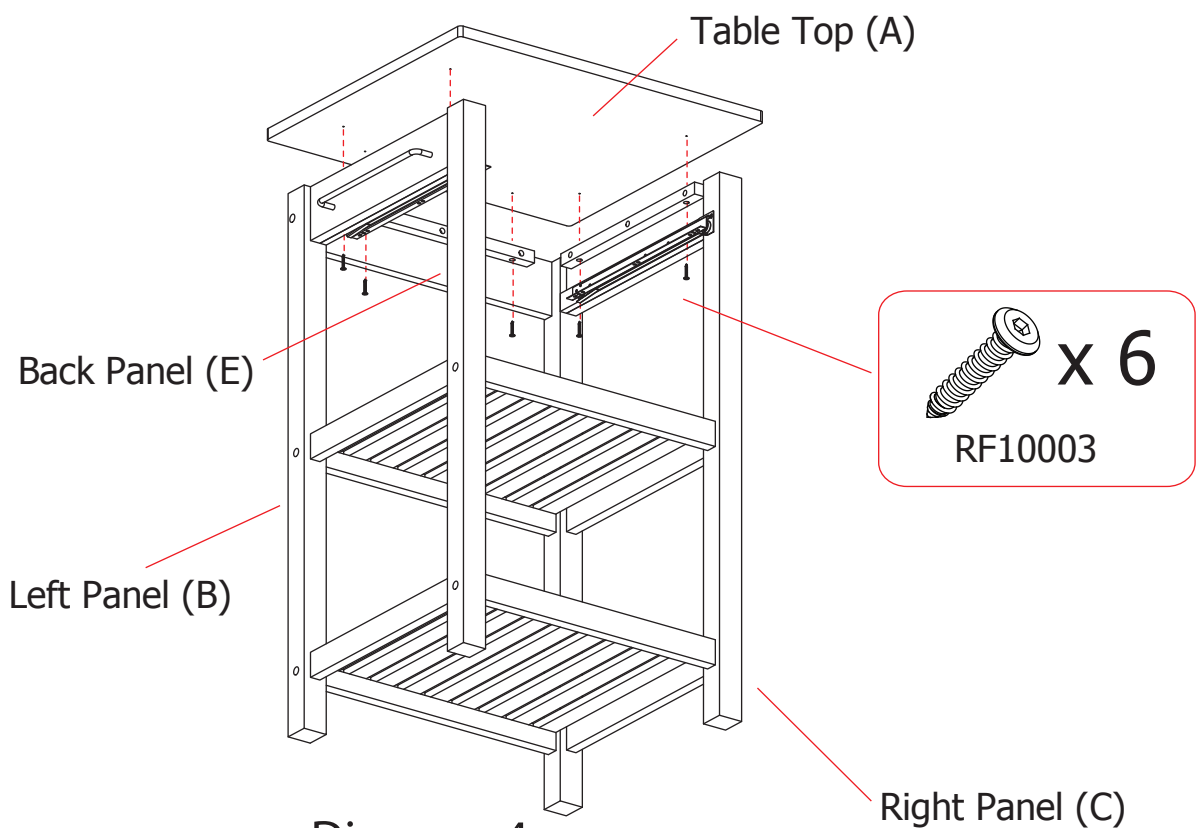
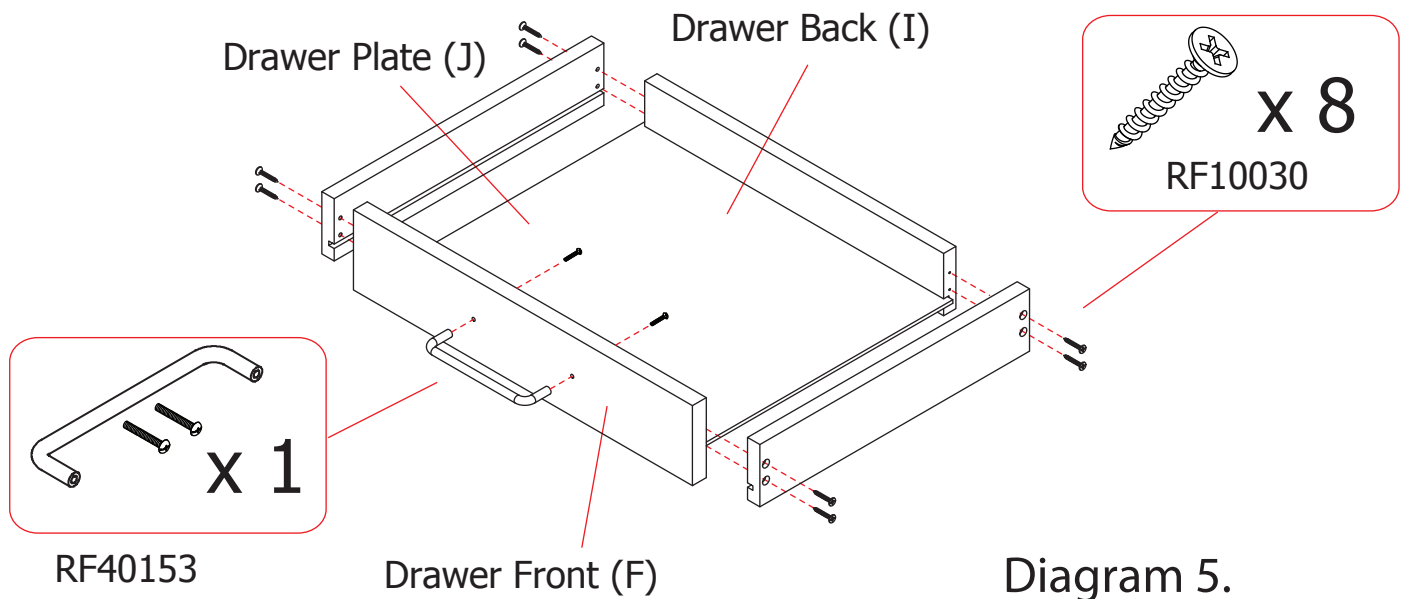


Diagram 4.

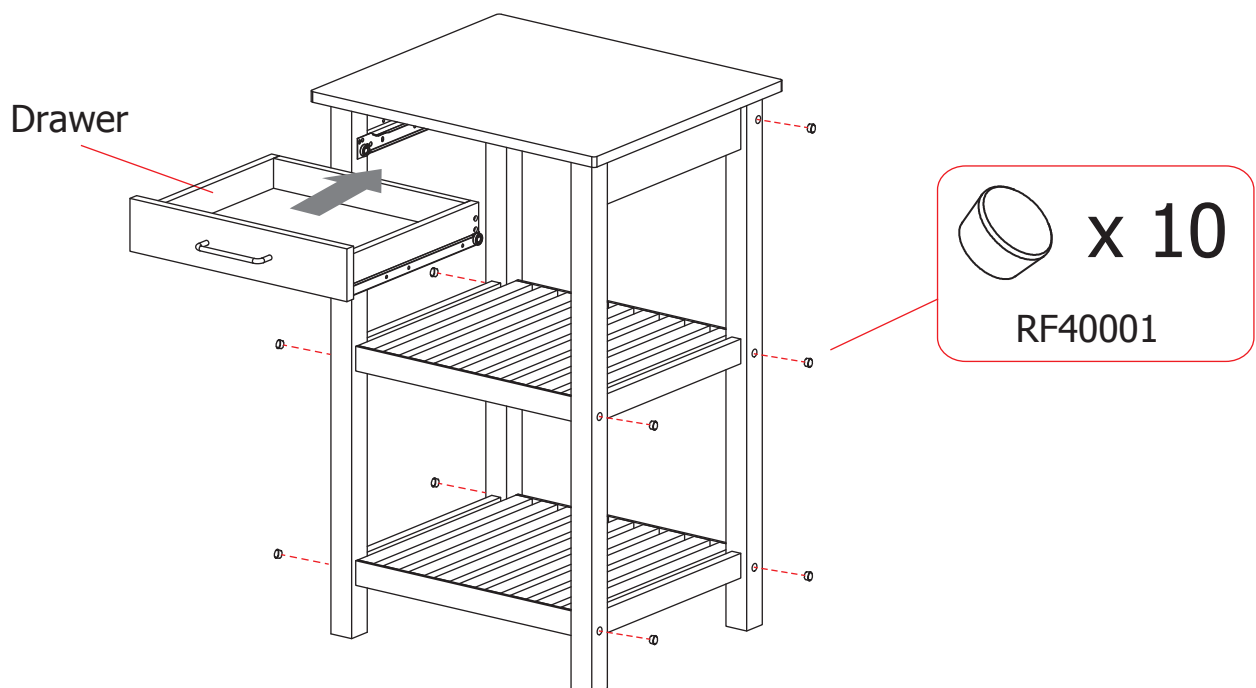
Step 4.
Attach Table Top (A) onto the unit by using screws (RF10003) as per Diag.4.



Step 5.

To Assemble the drawer,

- Attach Short Handle (RF40153) into the Drawer Front (F).
- Attach the Drawer Front (F), Drawer Left (G), Drawer Right (H), Drawer Back (I) and Drawer Plate (J) together by using screws (RF10030) as per Diag.5.



Step 6.

Slide the drawer in and cover the screw's holes by Wood Plugs (RF40001) as per Diag.6.