

Home Decorators Collection
HDC#: 67400 MFG#: 616-1X
ASSEMBLY INSTRUCTION
Convertible Laptop Desk

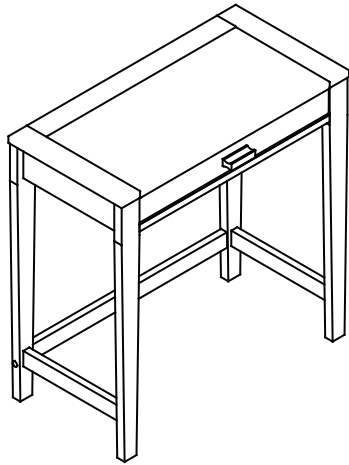
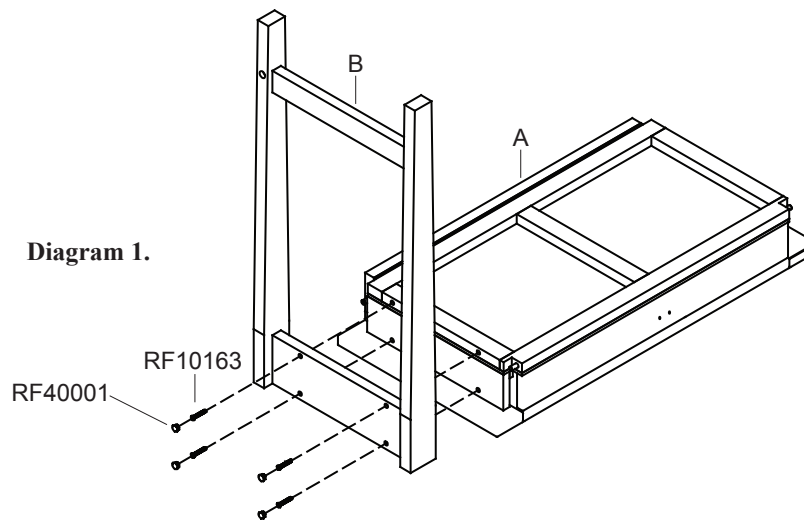


Diagram 1.

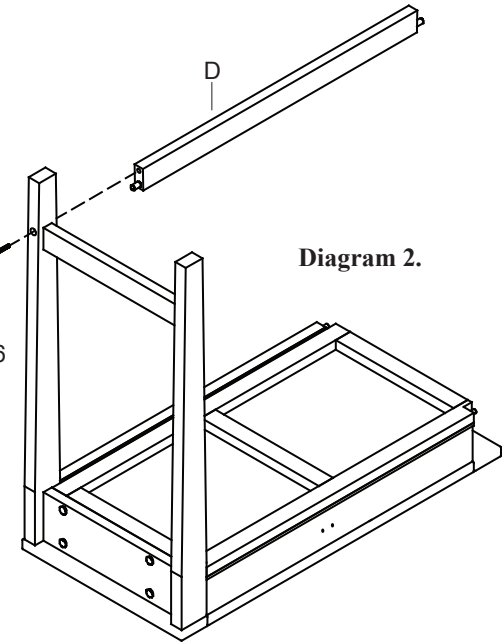


Step 1 : Turn Table Top (A) upside down on soft surface to protect from scratching, attach Right Leg Frame (B) using Short Bolt (RF10163) secure all screws tightly by using Allen Key (RF40103).

You may cover up screw holes with the enclosed wood plugs (RF40001) as shown Diag.1.

RF40001
RF10146

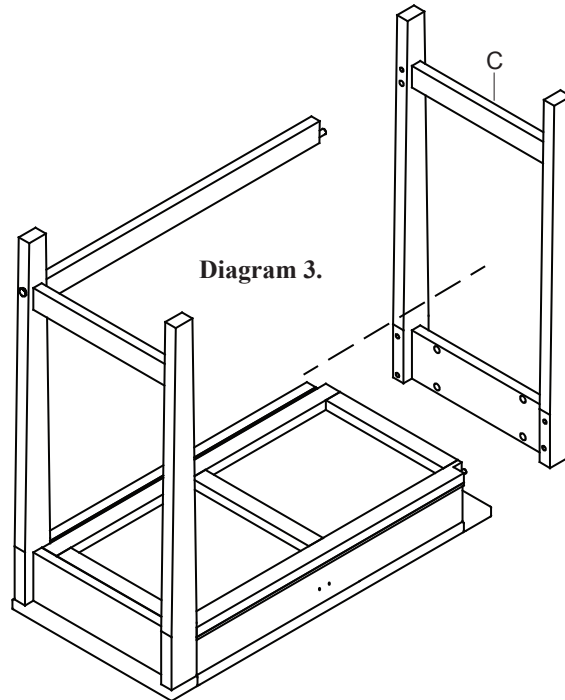
Diagram 2.



Step 2 : Attach Back Support Bar (D) to the leg frame using Long Bolt (RF10146) secure screws tightly by using Allen Key (RF40103).

You may cover up screw holes with the enclosed wood plugs (RF40001) as shown Diag.2.

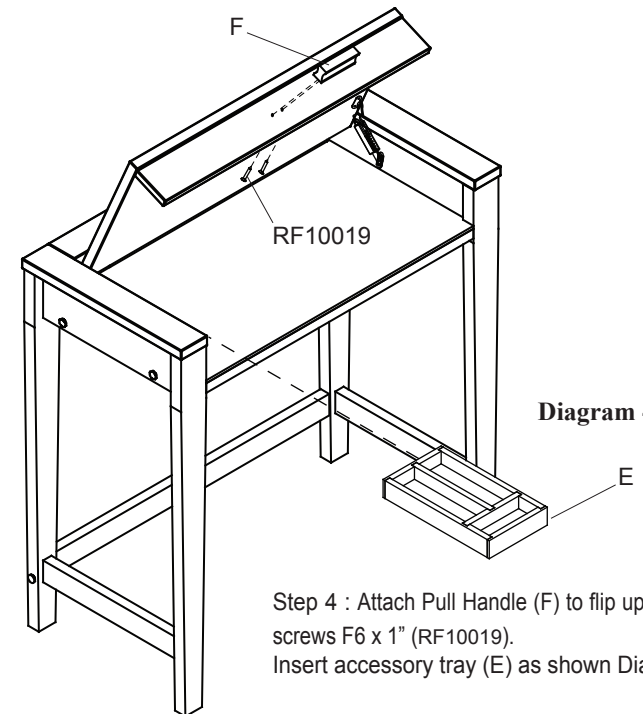
Diagram 3.



Step 3 : Assemble Left Leg Frame (C) by repeating step 1&2 as shown Diag.3.

F
RF10019

Diagram 4.



Step 4 : Attach Pull Handle (F) to flip up front using two screws F6 x 1" (RF10019). Insert accessory tray (E) as shown Diag.4.

LIST OF PARTS

PART	DESCRIPTION	Q'TY
A	Table Top	1
B	Right Leg Frame	1
C	Left Leg Frame	1
D	Back Support Bar	1
E	Accessory Tray	1
F	Pull Handle	1

LIST OF HARDWARE

PART	DESCRIPTION	Q'TY
RF10146	Long Bolt JCB M6x45 mm.	2
RF10163	Short Bolt JCB M6x20 mm.	8
RF40001	Wood Plugs	10
RF40103	Allen Key	1
RF10019	Screw F6x1"	2



Please contact Home Decorators
 Collection Customer Service at
 (800) 240-6047
 for parts or other product issues.