

Basket 552G

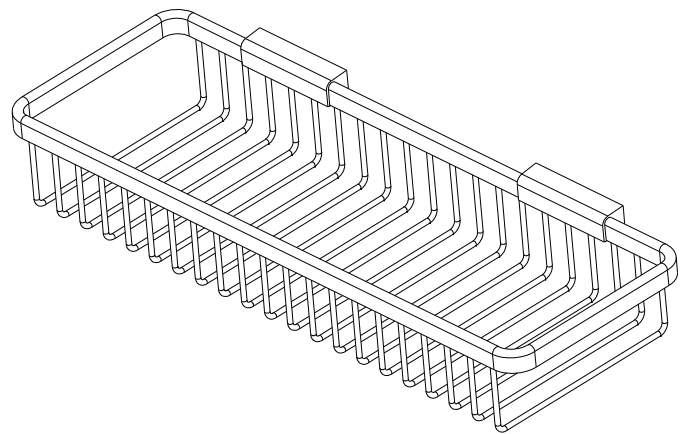
Features

- Solid brass frame
- Basket extends approximately 5-9/16" from the wall
- Basket has a running length of approximately 15-3/8"

Codes / Standards Compliance

Meets or exceeds the following at date of manufacture:

- All applicable US Federal and State material regulations



Colors / Finishes

- PC: Polished Chrome
- SN: Satin Nickel
- PBPVD: Polished Brass PVD

Other: NA

Specified Model

Model	Description	Colors Finishes
552G	Long Basket	<input type="checkbox"/> PC <input type="checkbox"/> SN <input type="checkbox"/> PBPVD

Product Specification: Add glass type designator and "Color / Finish" suffix to Model number, below.

The Basket shall be of solid brass construction. Basket Shelf shall incorporate a projected depth of approximately 5-9/16" from the wall a running length of approximately 15-3/8". Basket shall be Ginger Model 552G/____.

552G

Product Dimensions *(units are in inches)*

