

Smartech TECH-5000P Power Kit

Kit de alimentación Smartech TECH-5000P

Model/Modelo TECH-5000P



CAUTION:

Read and follow all safety rules and operating instructions before every use of this product.
SAVE THESE INSTRUCTIONS.

ATENCIÓN:

Lea y siga todas las reglas de seguridad e instrucciones de uso antes de cada uso de este producto.
GUARDE ESTAS INSTRUCCIONES.

What's included with the Smartech TECH-5000P Power Kit



FULLY CHARGE IMMEDIATELY AFTER PURCHASE.

Fully recharge after each jumpstarting, or every 3 months to ensure long battery life.

IMPORTANT SAFETY INSTRUCTIONS

1. Use the TECH-5000P Power Kit for jumpstarting a 12V LEAD-ACID battery only. Do not attempt to jump-start a vehicle with a non-rechargeable or defective battery.
2. Working in vicinity of a lead-acid battery is dangerous. Batteries generate explosive gases during normal operation. Use in well-ventilated area. Battery acid can cause permanent blindness. Avoid touching eyes while working near battery.
3. Do not smoke, strike a match, or cause a spark in vicinity of battery or engine. Avoid explosive gas, flames and sparks.
4. Remove all personal jewelry, such as rings, bracelets, necklaces, and watches before jumpstarting operations. These items may produce a short-circuit that can cause severe burns.
5. To avoid damage to the vehicle's electrical system, do not use the TECH-5000P Power Kit on a vehicle that has no battery installed.
6. Use of an accessory not recommended or sold by the manufacturer may result in a risk of fire, electric shock or injury to persons. Do not operate with damaged accessory(s).
7. Locate the TECH-5000P 500A Lithium Jump Starter & Portable Power Supply as far away from battery as jumper cables permit.
8. Do not expose to rain or wet conditions.
9. To reduce the risk of damage to electric plug and cord, pull by the plug rather than the cord when disconnecting.
10. Operate with caution if the jump starter has received direct hit of force or been dropped. Have it checked and repaired if damaged.

11. Any repair must be carried out by the manufacturer or an authorized repair agent in order to avoid danger.

TECH-5000P POWER BANK / JUMP STARTER

The Power Bank / Jump Starter features a low voltage protection (for Power Bank / Jump Starter itself), spark proof, reverse polarity protection and short circuit protection. This Power Bank / Jump Starter can instantly jump start most single battery vehicles, up to 60+ (over 60) times on a full charge. The Power Bank / Jump Starter is also equipped with USB power output, LED flashlight, 19VDC power output and 12VDC power output.

Technical Specifications:

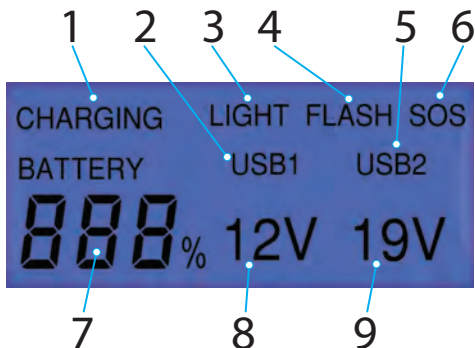
Battery Type	Lithium-ion Polymer
Battery Capacity	44.4WH
Starting Current	250A
Peak Current	500A
Jump Start	up to 5.5L Gas Engine
USB Output	5V/2.4A, 5V/2.4A
LED Flashlight	1W
19V Output	19V/3.5A for Laptops
12V Output	10A Max
Operating Temperature	-22°F ~ +122° F
Charging Temperature	32°F ~ +104°F
Storage Temperature	-4°F ~ +95°F (for 3 months)

PRODUCT FEATURES AND LAYOUT

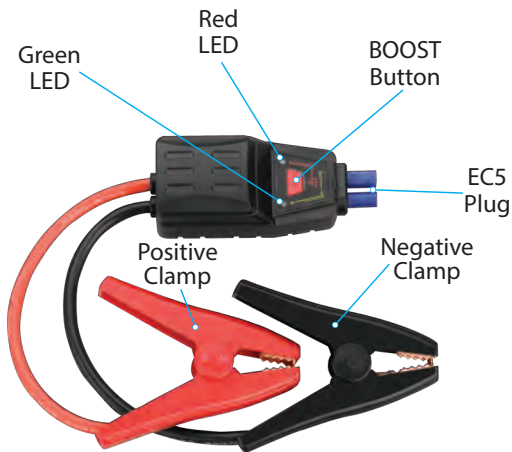


LCD DISPLAY

1. 15V/1A input
2. 5V/2.4A output
3. Light steady on
4. Light FLASH
5. 5V/2.4A output
6. Light SOS
7. Battery capacity
8. 12V output
9. 19V output



SMART JUMPER CLAMPS



CHARGING

This product is partially charged from the manufacturer. Fully charge the unit immediately after purchase. In order to prolong the product life, be sure to fully recharge the unit after each jumpstarting, or every 3 months even if this unit has not been used. If battery voltage in the TECH-5000P Power Kit is too low. The unit will shut off to prevent damage to itself. Recharge as soon as possible to be activated and fully charge it to ensure long battery life. In addition, it is not recommended to charge and discharge the Power Bank at the same time.

CONNECTING TO THE BATTERY

1. Identify polarity of battery posts. The positive battery terminal is typically marked by these letters or symbol (POS,P,+). The negative battery terminal is typically marked by these letters or symbol (NEG,N,-).
2. Do not make any connections to the carburetor, fuel lines, or thin metal parts.
3. Identify if you have a negative or positive grounded vehicle. This can be done by identifying which battery post (NEG or POS) is connected to the chassis.
4. For a negative grounded vehicle (most common): connect the RED POSITIVE jumper clamp first to the positive battery terminal, then connect the BLACK NEGATIVE jumper clamp to the negative battery terminal or vehicle chassis.
5. For a positive grounded vehicle (very uncommon): connect the BLACK NEGATIVE jumper clamp first to the negative battery terminal, then connect the RED POSITIVE jumper clamp to the positive battery terminal or vehicle chassis.
6. When disconnecting, disconnect in the reverse sequence, removing the negative first (or positive first for positive ground systems).

JUMP STARTING

1. This unit is only for emergency use, not for frequent commercial use! ENGINE START socket is ALWAYS activated! Do not attempt to jumpstart your vehicle when the TECH-5000P Power Bank battery capacity is below 30%.
2. Turn off the vehicle ignition and all accessories (radios, lights, air conditioners, etc.), and disconnect electronic devices.
3. Connect the jumper clamps to the correct polarity battery terminals.

4. Connect the EC5 plug of smart jump clamp to the ENGINE START socket of TECH-5000P Power BANK. Wait a few seconds, the green LED light on smart jump clamp should be lit. If not, please refer to “BOOST” OPERATION section.
5. Try starting the vehicle (turn on the ignition switch). Most vehicles will immediately start. Stop if the vehicle does not start after 5 seconds of engine cranking. The jumpstart feature is designed for short term operation only, and more than 5 seconds may cause damage to the unit. Allow the jump starter to cool down for at least 3 minutes after each jumpstarting.
6. Disconnect the smart jump clamp from the TECH-5000P Power Bank immediately after engine starts, and then remove from battery terminals.



“BOOST” OPERATIONS:

1. Under normal circumstance, the green LED light should be turned on automatically. If not, please do the following: with correct connection between Jump Starter and vehicle battery (Red LED keeps on and green LED is off), press and hold BOOST button for 3 seconds (after a buzzer sound, the green LED is on and red LED is off). Usually this is because the vehicle battery capacity is low.
2. Start the engine (same method as the normal operations in Page 9).

Cautions:

1. Under normal circumstances, do not use the mandatory operations.
2. The spark proof, reverse polarity protection and short circuit protection features are disabled after BOOST button is pressed. Pay very close attention to the polarity of the battery before using this mode. Do not allow the positive and negative battery clamps to touch or connect to each other as the item will generate sparks and high heat if not used properly.

LED AND BUZZER COMMUNICATION:

No.	Red LED	Green LED	Buzzer Sound	Condition
1	On	Off	One sound	Smart jump clamp and Tech-5000P power bank are connected.
2	Off	On	One sound	Smart jump clamp and vehicle battery are connected. Ready to start the engine.
3	Slow flash	Off	No buzzer	Lithium battery voltage in the TECH-5000P Power Kit is rather low.

4	Slow flash	Off	No buzzer	Have not turned on the ignition switch within the regulated time. To resolve this, you need remove clamps from vehicle battery, and connect again when No.1 condition occurs.
5	Fast flash	Off	Fast buzzer	Red and black clamps are connected with each other.
6	Fast flash	Off	Fast buzzer	Reverse connection of clamps.
7	Off	Fast flash	No buzzer	Engine is started.
8	Off	Fast flash	No buzzer	Vehicle's battery voltage is higher than Jump Starter's.

USB POWER

Connect the USB device to the TECH-5000P Power Bank with the included multi-tip cable (For Apple® products, it's better to use the original cable that came with the device). Press Power button / Flashlight button to start USB power, and press Power button to quit. When disconnected, the TECH-5000P Power Bank will automatically shut off. The number of times you can recharge a USB device will vary between devices.

FLASHLIGHT

Press Flashlight button to start flashlight. Press once to switch lighting modes: Steady On – Strobe – SOS – Off.

SUPPLY TO 19V LAPTOPS

The TECH-5000P Power Bank can run/charge computer laptops. Using the included accessory cord, select the appropriate input tip and connect the TECH-5000P Power Bank to your laptop. Press Power / Flashlight button to start 19V/3.5A power, and press Power button to quit. When disconnected, the TECH-5000P Power Bank will automatically shut off. The number of times you can recharge a laptop will vary between devices.



SUPPLY TO 12V APPLIANCES

The TECH-5000P Power Bank can run/charge 12VDC appliances that draw 10 amps or less. Two Options as follows:

1. **Using the 12V Adapter:** Connect the TECH-5000P Power Bank to a 12V appliance with the included 12V adapter accessory. You don't need to press the power button as the Power Bank output is ALWAYS activated. When battery voltage of TECH-5000P Power Bank is too low, 12V appliances will stop running/charging.

12V ADAPTER



2. **Using the 12V connector cord:** Connect the TECH-5000P Power Bank to a 12V appliance using the included accessory cord. Press Power / Flashlight button to start 12V power, and press Power button to quit. When disconnected, the TECH-5000P Power Kit will automatically shut off.

12V ACCESSORY CORD



TECH-5000P AIR PUMP



Specification:

Working Voltage: 12V DC

Current: 3.5A

Peak Current: $\leq 7A$

Inflation Efficiency: 185/65R14 (Tire) to 35PSI in 5minutes

Maximum Gas Pressure: 150PSI

Hose Length: 5.31 inches (135mm)

Working Temperature: $-4^{\circ}F \sim 140^{\circ}F$ ($-20^{\circ}C \sim +60^{\circ}C$)

Dimension: 2.44 X 7.16 X 8.90 inches (62mm X 182mm X 226mm)

Weight: 1.37 lbs (620g)

IMPORTANT SAFETY INSTRUCTIONS FOR THE TECH-5000P POWER KIT (AIR PUMP)

WORK AREA

1. Keep your work area clean and well lit. Cluttered areas invite accidents.
2. Keep bystanders, children, and visitors away while operating an air pump. Distractions can cause you to lose control.
3. Operate air pump in an open area at least 18 in. away from any wall or object that could restrict the flow of fresh air to ventilation openings.

ELECTRICAL SAFETY

1. To reduce the risk of electrical shock, do not put air pump in water or other liquid. Do not place or store appliance where it can fall or be pulled into a tub or sink. Keep others away while operating the air pump.
Distractions can cause you to lose control.

PERSONAL SAFETY

1. Stay alert, watch what you are doing and use common sense when operating an air pump. Do not use air pump while tired or under the influence of drugs, alcohol, or medication. A moment of inattention while operating air pump may result in serious personal injury.
2. Dress properly. Do not wear loose clothing or jewelry. Contain long hair. Keep your hair, clothing, and gloves away from moving parts. Loose clothes, jewelry, or long hair can be caught in moving parts.
3. Do not overreach. Keep proper footing and balance at all

- times. Proper footing and balance enable better control of the air pump in unexpected situations.
4. Use safety equipment. Always wear eye protection. Dust mask, non-skid safety shoes, hard hat, or hearing protection must be used for appropriate condition.
 5. Eye protection is required to guard against flying fasteners and debris which could cause severe eye injury.
 6. Do not use on a ladder or unstable support. Stable footing on a solid surface enables better control of the air pump in unexpected situations.
 7. Do not disassemble the air pump.
 8. Do not operate air pump near flammable liquids or in gaseous or explosive atmospheres. Internal sparks may ignite fumes.
 9. Do not store your air pump in a damp or wet location. Do not store in locations where the temperature is less than 50°F or more than 100°F.

Air Pump USE AND CARE

1. Check hose for weak or worn condition before each use, making certain all connections are secure. Do not use if defect is found. Purchase a new hose or notify an authorized service center for examination or repair.
2. Release all pressures within the system slowly. Dust and debris may be harmful.
3. Do not use air pump if switch does not turn it on or off. An air pump that cannot be controlled with the switch is dangerous and must be repaired.
4. Store idle air pumps out of reach of children and other un-

trained persons. Air pumps are dangerous in the hands of untrained users.

5. Check for misalignment or binding of moving parts, breakage of parts, and any other condition that may affect the air pump's operation. If damaged, have the air pump serviced before using. Many accidents are caused by poorly maintained tools.
6. Use only accessories that are recommended by the manufacturer for your model. Accessories that may be suitable for one air pump may create a risk of injury when used on another air pump.
7. Keep the air pump and its handle dry, clean and free from oil and grease. Always use a clean cloth when cleaning. Never use brake fluids, gasoline, petroleum-based products, or any strong solvents to clean your air pump. Following this rule will reduce the risk of loss of control and deterioration of the enclosure plastic.
8. Never point any air pump toward yourself or others.
9. Do not exceed the pressure rating of any component in the system.
10. Protect material lines and air lines from damage or puncture. Keep hose and power cord away from sharp objects, chemical spills, oil, solvents, and wet floors.

SERVICE

- Air pump service must be performed only by qualified repair personnel. Service or maintenance performed by unqualified personnel may result in a risk of injury.

SPECIFIC SAFETY RULES

1. Know your air pump. Read operator's manual carefully. Learn its applications and limitations, as well as the specific potential hazards related to this tool. Following this rule will reduce the risk of electric shock, fire, or serious injury.
2. Risk of bursting. Do not operate air pump to result in output pressure greater than marked maximum pressure of item to be inflated. Do not use at pressure greater than 150 PSI.
3. To reduce the risk of electric shock, do not expose to rain. Store indoors.
4. Inspect unit for cracks, pin holes, or other imperfections that could cause air pump to become unsafe. Never cut or drill holes in the air pump.
5. Make sure the hose is free of obstructions or snags. Entangled or snarled hoses can cause loss of balance or footing and may become damaged.
6. Use the air pump only for its intended use. Do not alter or modify the unit from the original design or function
7. Always be aware that misuse and improper handling of this air pump can cause injury to yourself and others.
8. Never leave an air pump unattended with the air hose attached to the item being inflated.
9. Do not continue to use an air pump or hose that leaks air or does not function properly.

10. Always disconnect the air supply and power supply before making adjustments, servicing an air pump, or when an air pump is not in use.
11. Do not attempt to pull or carry the air pump by the hoses.
12. Always follow all safety rules recommended by the manufacturer of your air pump, in addition to all safety rules for the air pump. Following this rule will reduce the risk of serious personal injury
13. Household use only.
14. Do not use air pump as a breathing device.
15. When servicing an air pump, use only identical replacement parts. Follow instructions in the Maintenance section of this manual. Use of unauthorized parts or failure to follow Maintenance instructions may create a risk of shock or injury.
16. Never direct a jet or compressed air toward people or animals. Take care not to blow dust and dirt towards yourself or others. Following this rule will reduce the risk of serious injury.
17. Protect your lungs. Wear a face or dust mask if the operation is dusty. Following this rule will reduce the risk of serious personal injury.
18. Do not use this air pump to spray chemicals. Your lungs can be damaged by inhaling toxic fumes.
19. Check damaged parts. Before further use of the air pump or air tool, a guard or other part that is damaged should be carefully checked to determine that it will operate properly and perform its intended function. Check for alignment of moving parts, binding of moving parts, breakage of parts, mounting, and any other conditions that may affect its operation. A guard or other part that is damaged should be properly repaired or replaced by an authorized service center. Following this rule will reduce

- the risk of shock, fire, or serious injury.
20. Inspect tool cords periodically and, if damaged, have repaired at your nearest Authorized Service Center. Constantly stay aware of cord location. Following this rule will reduce the risk of electric shock or fire.
 21. Risk of bursting. Carefully monitor objects during inflation.
 22. To reduce the risk of over inflation, use a reliable pressure gauge periodically during inflation. The pressure gauge on the air pump is for reference only and is therefore not binding for exact values.
 23. Never leave the air pump unattended during inflation.
 24. Allow pump to cool for ten minutes after each ten minutes of continuous use. Never block the inflating or deflating outlets while operating.
 25. Save these instructions. Refer to them frequently and use them to instruct others who may use this air pump. If you loan someone this air pump, loan them these instructions also.

ASSEMBLY

1. **WARNING:** Do not use this product if it is not completely assembled or if any parts appear to be missing or damaged. Use of a product that is not properly and completely assembled or with damaged or missing parts could result in serious personal injury
2. Protect material lines and air lines from damage or puncture. Keep hose and power cord away from sharp objects, chemical spills, oil, solvents, and wet floors.

OPERATION

- 1. WARNING:** Do not use this product if it is not completely assembled or if any parts appear to be missing or damaged. Use of this product that is not properly and completely assembled or with damaged or missing parts could result in serious personal injury
- 2. WARNING:** Always wear eye protection with side shields marked to comply with ANSI Z87. 1. Failure to do so could result in objects being thrown into your eyes resulting in possible serious injury.
- 3. WARNING:** Do not use any attachments or accessories not recommended by the manufacturer of this tool. The use of attachments or accessories not recommended and can result in serious personal injury.
- 4. WARNING:** The air pump is not designed for continuous use. For every ten minutes of air pump use, ten minutes of cool down time are required.
- 5. WARNING:** Since the pressure gauge is not calibrated, and is therefore not binding for exact values, tire pressure must be checked using a reliable measuring device before driving a vehicle with vehicle tires inflated with the air pump. Driving a vehicle with improperly inflated tires could result in serious injury.
- 6. WARNING:** Do not leave items to be inflated unattended while air pump is in use. These items can burst and could cause serious injury.
- 7. WARNING:** The air pump is capable of inflating to 150 PSI. To avoid over inflation, carefully follow instructions on items to be inflated. To avoid product damage, never exceed recommended pressures.

Air Pump features and layout

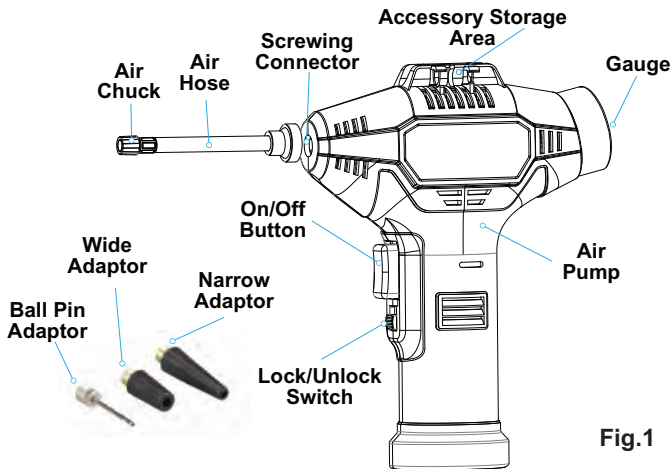


Fig.1

APPLICATIONS

You may use this air pump for the purpose listed below:

- Motorcycle, Vehicle, and Bicycle tires
- Inflatable sport balls including soccer, basketballs and footballs
- Beach balls and other water sport inflatables

NOTE: The air pump is not designed for commercial applications.

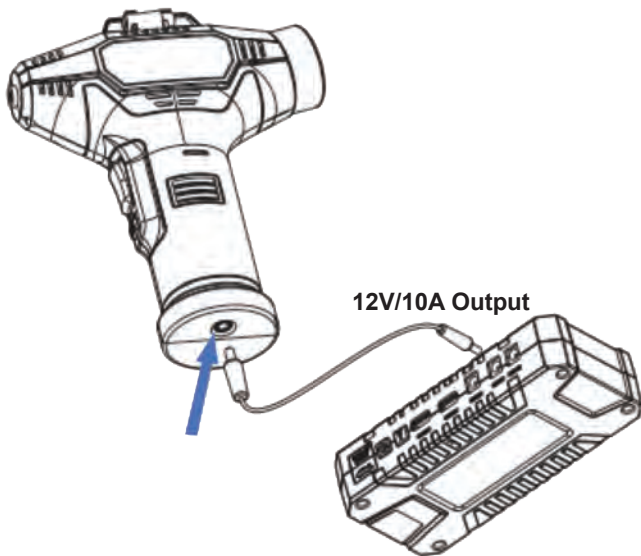
WARNING: Battery tools are always in operating condition. Always remove battery pack from your tool when you are assembling parts, making adjustments, cleaning, or when not in use. Removing battery pack will prevent accidental starting that could cause serious personal injury.

POWERING THE AIR PUMP (3 OPTIONS)

OPTION 1: (see Fig.1)

Power the Air Pump with the TECH-5000P Power Bank and accessory cord. Using the included accessory cord, connect one end to the bottom of the Air Pump and the other end to the 12V/10A output of the Power Bank.

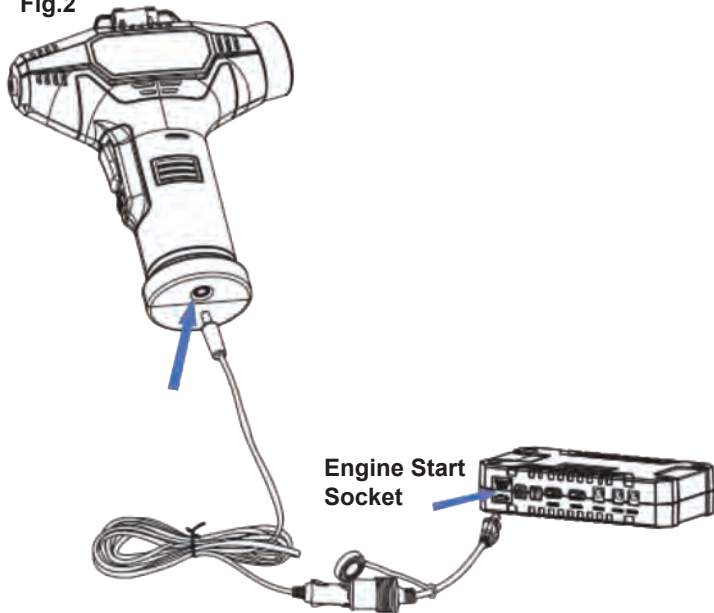
Fig.1



OPTION 2: (see Fig.2)

Power the Air Pump with the TECH-5000P Power Bank, car charger and 12V adapter. Using the included car charger and 12V adapter, connect the 12V adapter to the Engine Start socket on the Power Bank. Connect one end of the car charger to the 12V adapter and the other end to the bottom of the Air Pump.

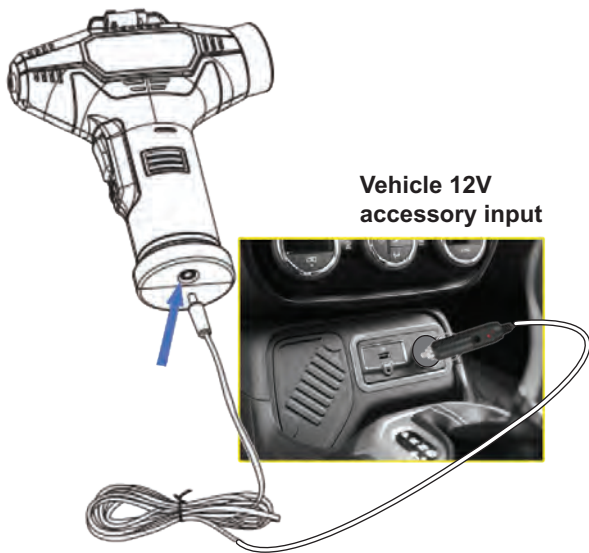
Fig.2



OPTION 3: (see Fig.3)

Power the Air Pump directly from your vehicle using the included car charger. Connect one end of the car charger to the bottom of the Air Pump and the other end directly to your vehicle 12V accessory outlet.

Fig.3



USING THE Air Pump

- Connect the air hose to the air pump by screwing the hose into the end of the Air Pump. When screwing, use main body of the hose (part A in figure 4), do not use protective cap (part B in figure 4) for screwing as it is only for the protection of overheat.
- Connect the other end of the air hose to the valve stem of the item you are inflating. Adaptor is needed before inflating sport balls including soccer, basketballs and footballs.
NOTE: When inflating items of 10 PSI or less, inflate in short bursts and check after each burst by feel or with a calibrated measuring device to determine accurate pressure. Pressure required for most sports balls is too low for accurate reading on tool gauge.
- Power on the air pump (choose an option mentioned in previous section).
- The manufacturer preset pressure is 30 PSI and this air pump has memory function. The gauge will indicate unites and value.
- Press “SET” button to choose the desired unit (PSI, BAR, KPA, kg/cm²). See Fig. 5.
- Press “-” or “+” button to choose the desired value. Press and hold “-” or “+” button will accelerate numerical change. After screen flashes three times, the screen will show “0” and the system will enter the chosen unit.
- Press the air pump’s On/Off button to start and hold this button for continuous running. And the built-in LED light is lit during inflation.
- The air pump has switch lock function. If needed, you can turn the Lock/Unlock switch upwards to lock while the On/Off button is pressed. In this way, the inflation continues without pressing any button. To stop the inflation, simply press the On/Off button.
- When the desired pressure is reached, the air pump will stop running as it has pre-set function. when the desired pressure

is reached, the reading may have a +/- 1.5PSI difference.
(This is normal)

- After use, loosen the hose and remove from the air pump.
WARNING: the hose will be very hot after use. Remove carefully.
- When not in use, adaptors provided with the air pump can be placed in the storage area on the top of the tool.

WARNING: Improperly attached hoses or accessories can become detached under pressure and cause serious injury. Possible air leaks can cause faulty pressure readings. Make sure all connections are tightly secured.

NOTE: Maximum PSI for this unit is 150 PSI

NOTE: Always leave the hose free of obstructions when the tool is not in use. Overheating could occur if the hose is blocked.

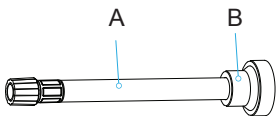


Fig.4

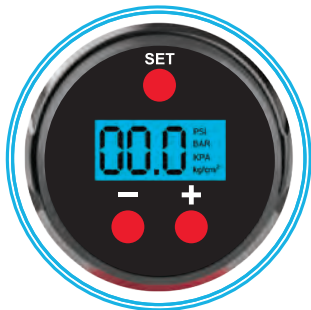


Fig.5

WARNING: When servicing, use only identical replacement parts. Use of any other parts can create a hazard or cause product damage.

WARNING: Always wear eye protection with side shields marked to comply with ANSI Z87.1. Failure to do so could result in objects being thrown into your eyes resulting in possible serious injury.

GENERAL MAINTENANCE: Avoid using solvents when cleaning plastic parts. Most plastics are susceptible to damage from various types of commercial solvents and may be damaged by their use. Use clean cloths to remove dirt, dust, oil, grease, etc.

WARNING: Do not at any time let brake fluids, gasoline, petroleum-based products, penetrating oils, etc, come in contact with plastic parts. Chemicals can damage, weaken or destroy plastic which can result in serious personal injury.

CALIFORNIA PROPOSITION 65

WARNING: This Product contains chemicals including SCCP, PAHs, DBP, DEHP, BBP, DBP, DIBP which are know to the State of California to cause cancer, birth defects or other reproductive harm. For more information, go to - www.P65Warning.ca.gov
Wash hands after handling.

Your risk from exposure to these chemicals varies, depending on how often you do this type of work. To reduce your exposure, work in a well-ventilated area and with approved safety equipment, such as dust masks that are specially designed to filter out microscopic particles.

SMARTTECH LIMITED WARRANTY

FOR ONE YEAR from the date of sale this product is warranted against defects in material or workmanship when it is operated and maintained according to all supplied instructions.

WITH PROOF OF SALE return a defective product to the retailer from which it was purchased for free replacement.

This warranty is void if this product is ever used while providing commercial services or if rented to another person.

This warranty gives you specific legal rights, and you may also have other rights which vary from state to state.

Product distributed in the United States by Smartech Inc.

8700 Larkin Rd. Suite B

Savage, MD 20763

www.SmartechProduct.com

Made in China

**For customer assistance or replacement parts, call
1-888-288-5148**



