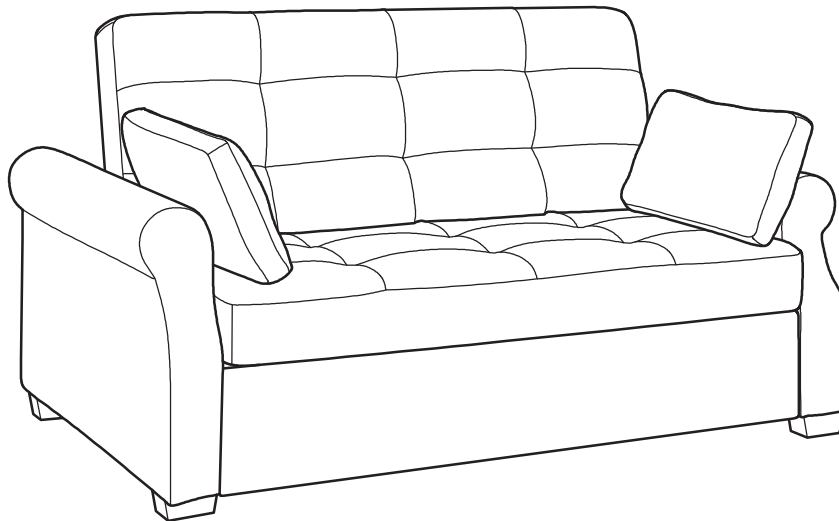




Dream Convertibles®

## QUEEN SIZE ASSEMBLY INSTRUCTIONS



DO NOT RETURN PRODUCT TO THE STORE

individual stores do not stock parts.

If a part is missing or damaged, call our toll - free customer service line.

**Need parts or assistance?**

Please call :

**866-626-7826**

For prompt, reliable service; please have your assembly manual ready.

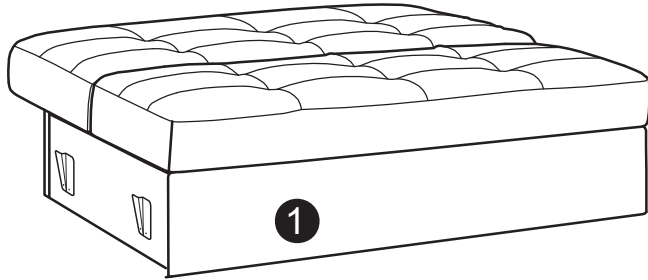
### WARNING

- This product has been designed for seating three (3) average adults. To prevent injury and damage to this unit, PROHIBIT jumping on it.
- This product is designed for home use and not intended for commercial use.
- Children under the age of 5, small infants and babies should not sleep alone on this product for safety reasons.
- Recommended # of people needed for handling: 2 (however it is always better to have an extra hand.)
- THIS INSTRUCTION BOOKLET CONTAINS **IMPORTANT** SAFETY INFORMATION. PLEASE READ AND KEEP FOR FUTURE REFERENCE.

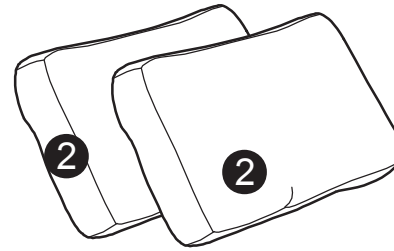
---

# PARTS

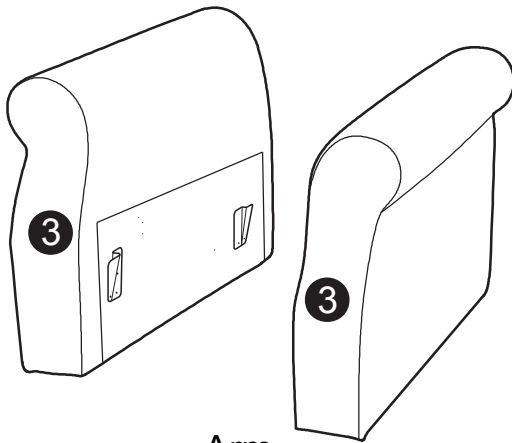
---



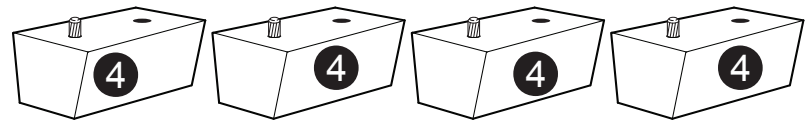
Sofa Body  
QTY:1



Pillow  
QTY: 2



Arm  
QTY:1 Pair



Leg  
QTY:4

---

# HARDWARE

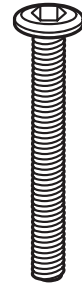


A

Allen Key

M5 x 55mm x 105mm

QTY : 1 PC



B

Bolt

M8 x 60mm

QTY : 4 PCS



C

Washer

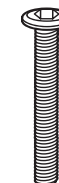
M8 x 18mm

QTY : 4 PCS

Step 1 :



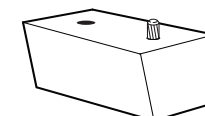
Ax1



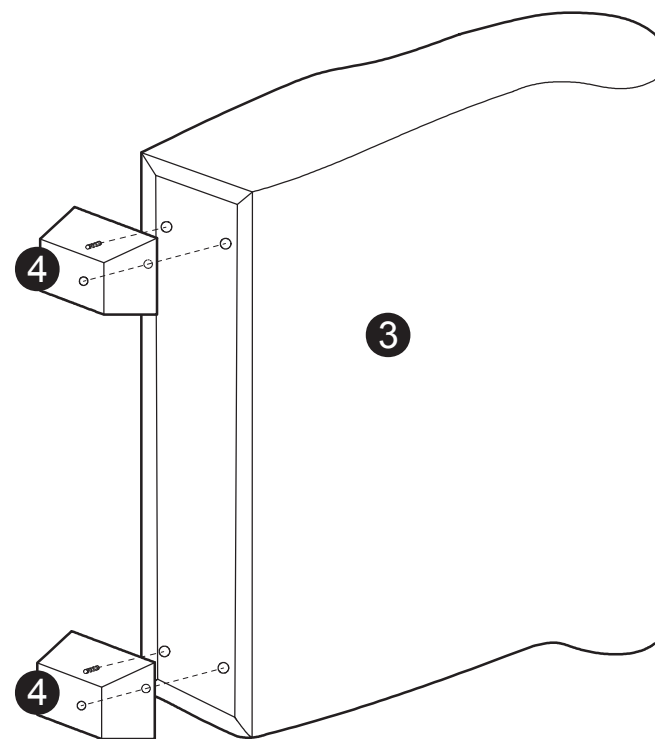
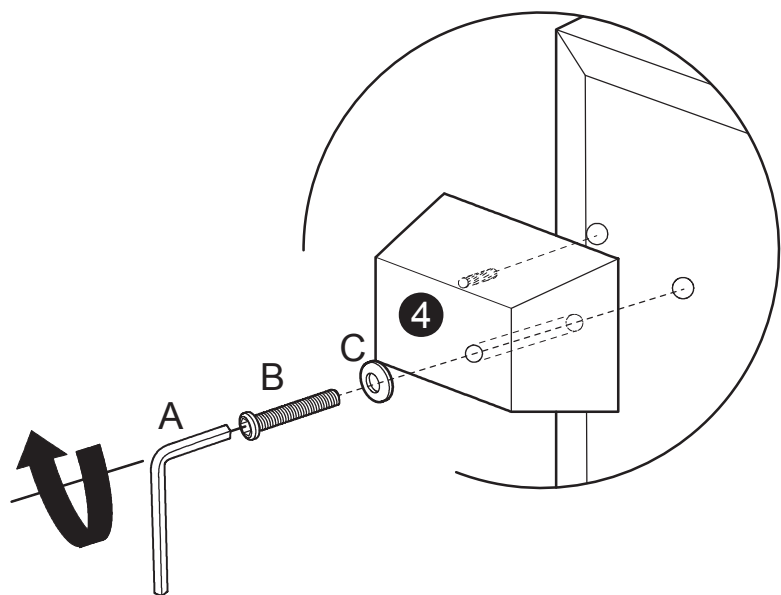
Bx4



Cx4

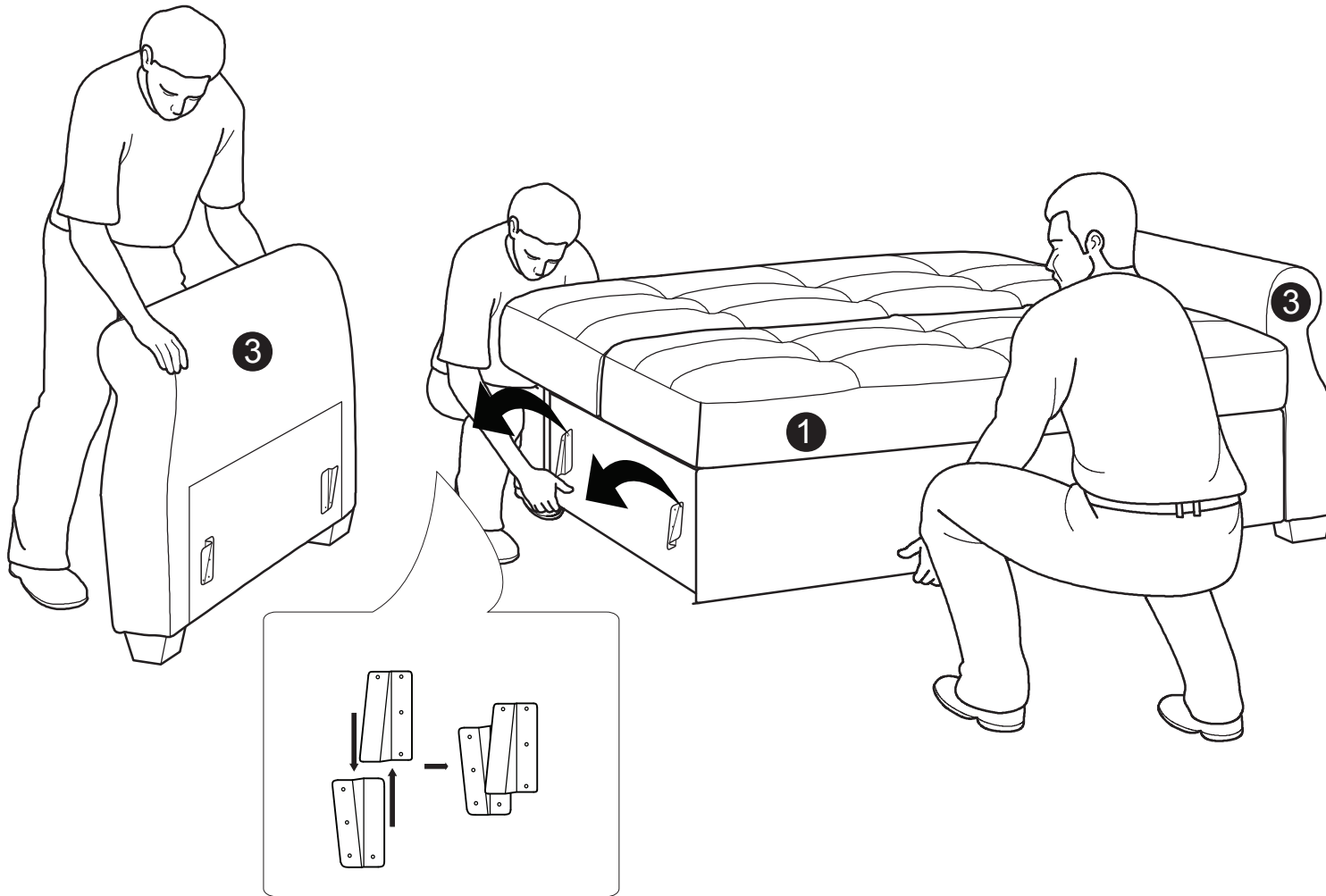


4x4



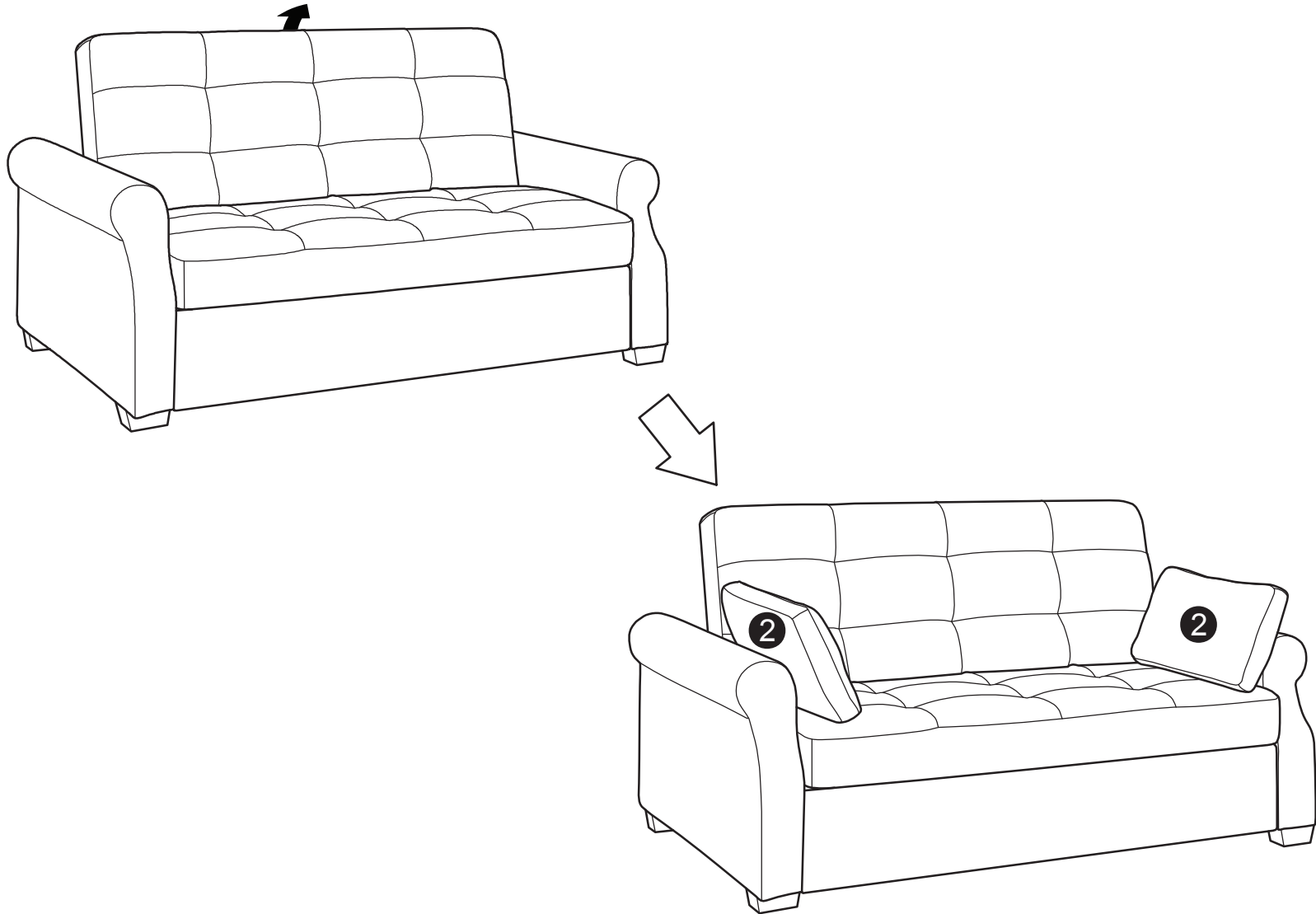
---

Step 2 :



---

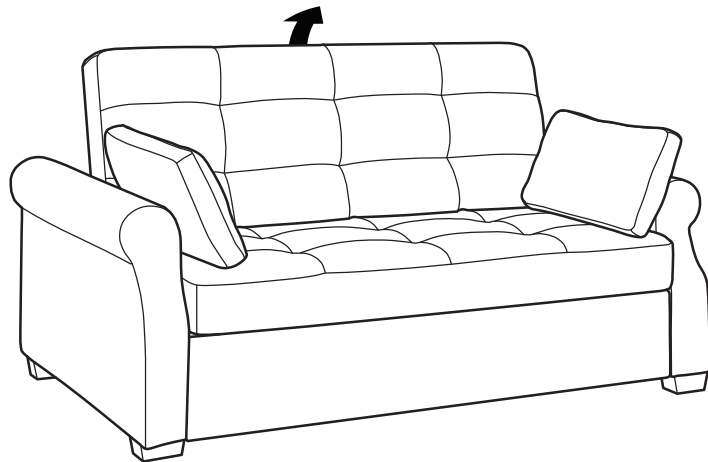
Step 3 :



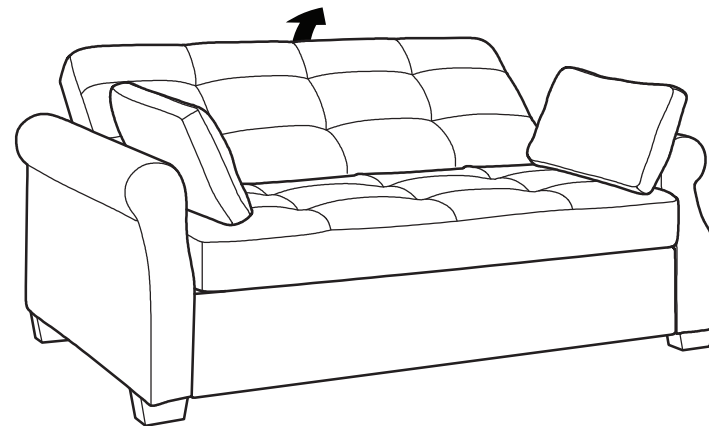
---

## FUNCTIONS :

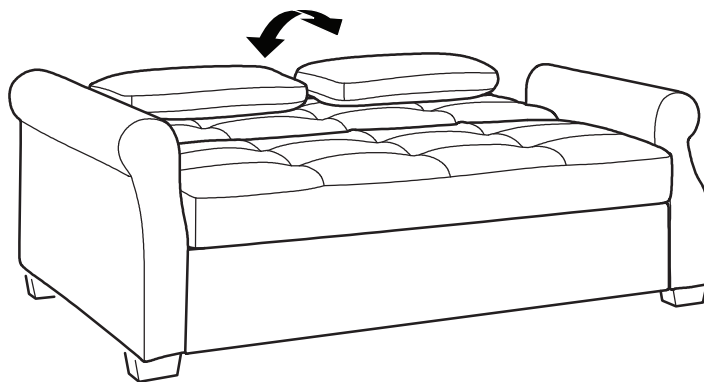
①



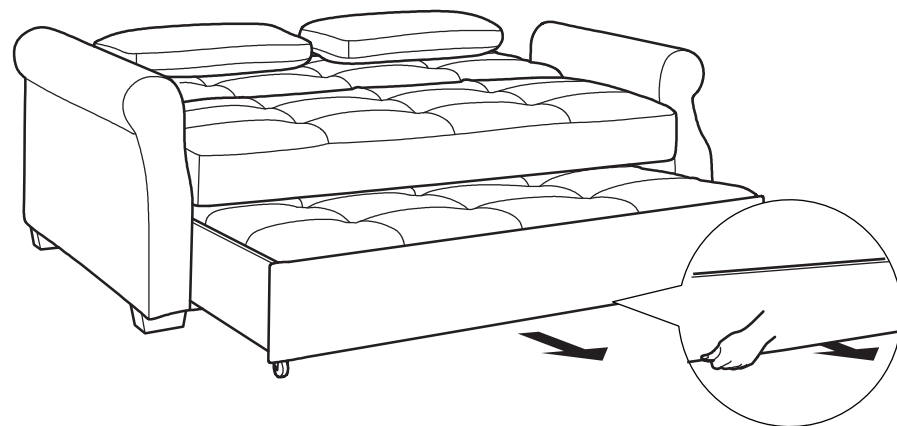
②



③



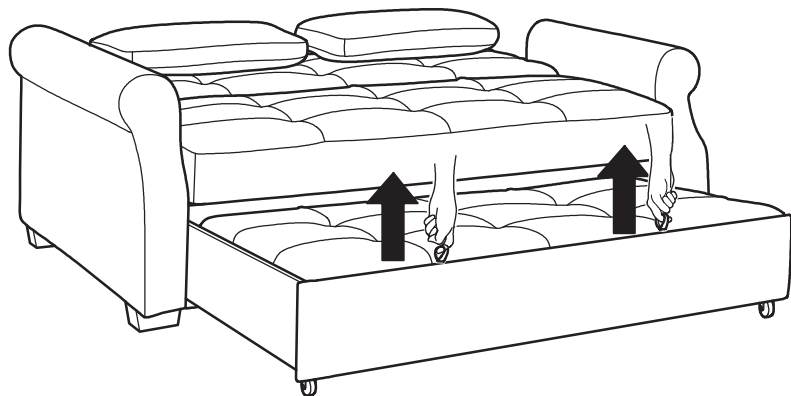
④



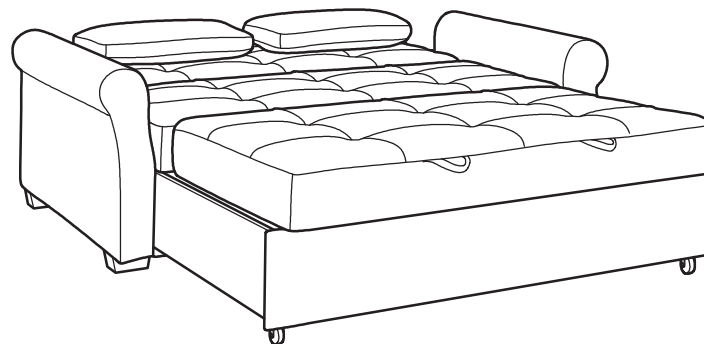
---

## FUNCTIONS :

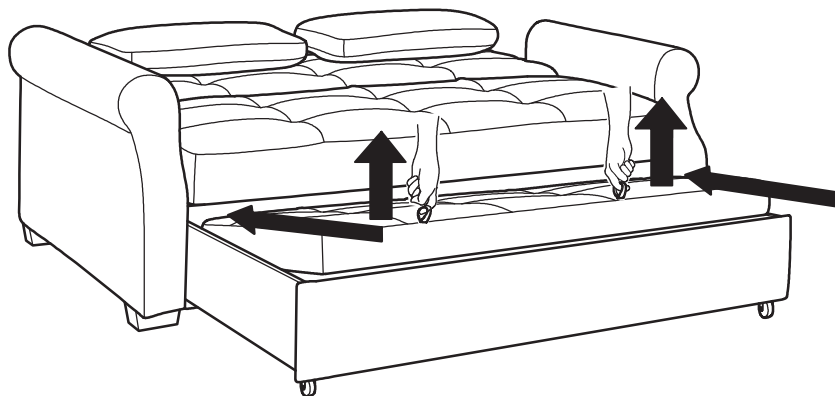
5



6



7



8

