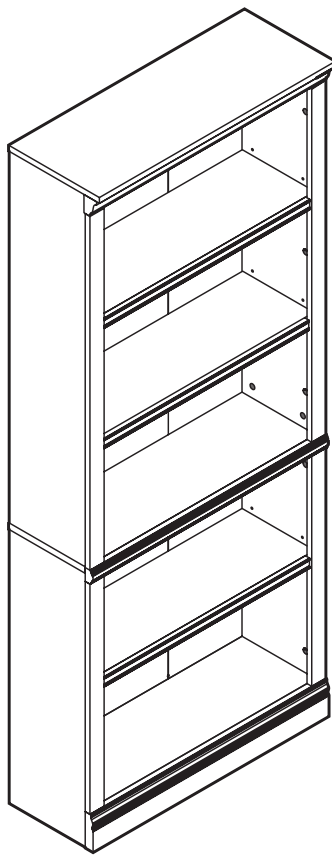




Item #1000 020 147
Model #THD130419.1a.OF

USE AND CARE GUIDE

5-SHELF DECORATIVE BOOKCASE



Questions, problems, missing parts? Before returning to the store,
call Hampton Bay Customer Service
8 a.m. - 6 p.m., EST, Monday - Friday

1-855-HD-HAMPTON

HAMPTONBAY.COM

THANK YOU


We appreciate the trust and confidence you have placed in Hampton Bay through the purchase of this decorative bookcase. We strive to continually create quality products designed to enhance your home. Visit us online to see our full line of products available for your home improvement needs. Thank you for choosing Hampton Bay!

Table of Contents

Table of Contents	2	Planning Assembly.....	3
Safety Information	2	Tools Required	3
Warranty	2	Hardware Included.....	3
Pre-Assembly	3	Package Contents	4
		Assembly.....	5
		Weight Limits.....	11

Safety Information

Read and understand all instructions before assembly.

 **WARNING:** Anchor the bookcase to the wall after assembly to prevent accidental tipping and injury.

Warranty

LIMITED ONE YEAR PRODUCT WARRANTY

WHAT IS COVERED

This limited warranty covers the original purchase of this product used for normal commercial, Personal, or household use. The supplier warrants its products will be free from defects in materials and workmanship (normal wear and tear excepted) for a period of one (1) year from the date of purchase, except as provided below. The supplier, at its option, will replace with a comparable product, free of charge, any product purchased from it that fails under normal use as a result of such defect. Materials are warranted for one year from date of purchase. Proof of purchase is required in the form of a receipt (copy or original) to validate the warranty. The supplier provides this limited warranty in lieu of all other warranties either expressed or implied. Expressly excluded are all warranties of fitness for a particular purpose or merchantability. The supplier's sole obligation and the user's exclusive remedy under this warranty shall be limited to the repair, refund or replacement at the supplier's sole discretion and cost, of product or components. THIS WARRANTY APPLIES ONLY TO THE U.S. AND CANADA.

WHAT IS NOT COVERED

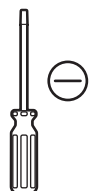
This warranty does not apply to damage caused by fire, accident, negligence, misuse, or use other than as stated in product instructions, improper cleaning or other circumstances not directly attributable to defects in materials and workmanship. Natural variations occurring in wood or other materials will not be considered defects, and the supplier does not warrant the color-fastness or matching of colors, grains, or textures of such materials. This warranty does not apply to: modifications of the product, attachments to the product not approved, and products that were not installed, used, or maintained in accordance with product instructions and warnings. Contact the Customer Service Team at 855-HD-HAMPTON or visit www.Hamptonbay.com.

Pre-Assembly

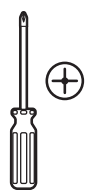
PLANNING ASSEMBLY

Compare all parts with the Hardware Included and Package Contents lists in this manual. If any part appears missing or damaged, do not assemble this product. Contact the Customer Service Team at 1-855-HD-HAMPTON or visit www.HamptonBay.com.

TOOLS REQUIRED



Flathead
screwdriver

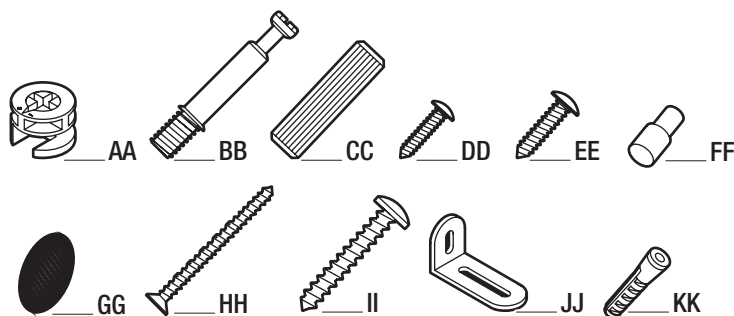


Phillips
screwdriver

HARDWARE INCLUDED



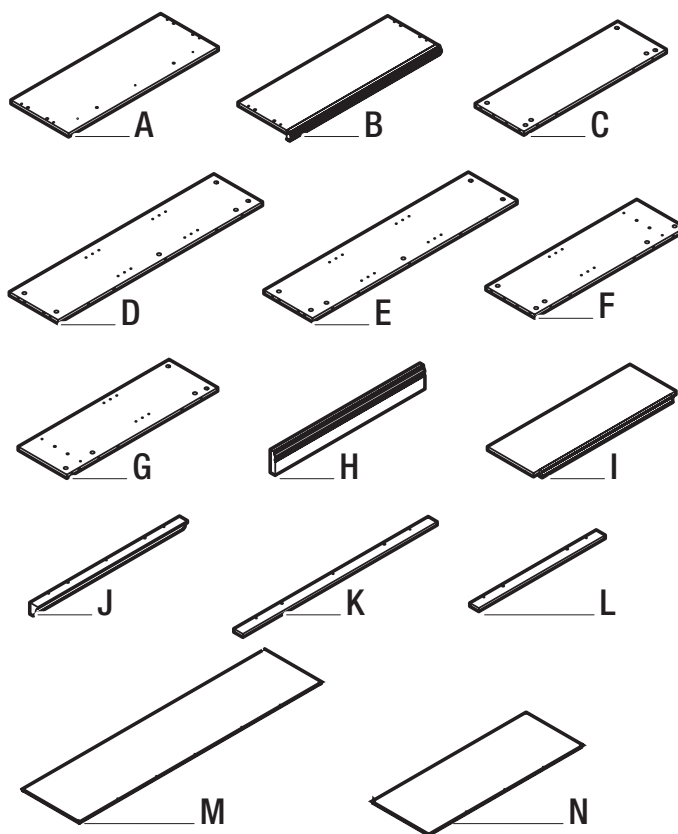
NOTE: Hardware shown to actual size.



Part	Description	Quantity
AA	Cam lock	30 + 1 extra
BB	Cam bolt	30 + 1 extra
CC	Wood dowel	30 + 1 extra
DD	3x14 mm screw	28 + 1 extra
EE	4x16 mm screw	7
FF	Shelf support	12 + 2 extra
GG	Cover	22
HH	4x55 mm screw	3 + 1 extra
II	4x38 mm screw	1
JJ	Wall bracket	1
KK	Wall anchor	1

Pre-Assembly (continued)

PACKAGE CONTENTS

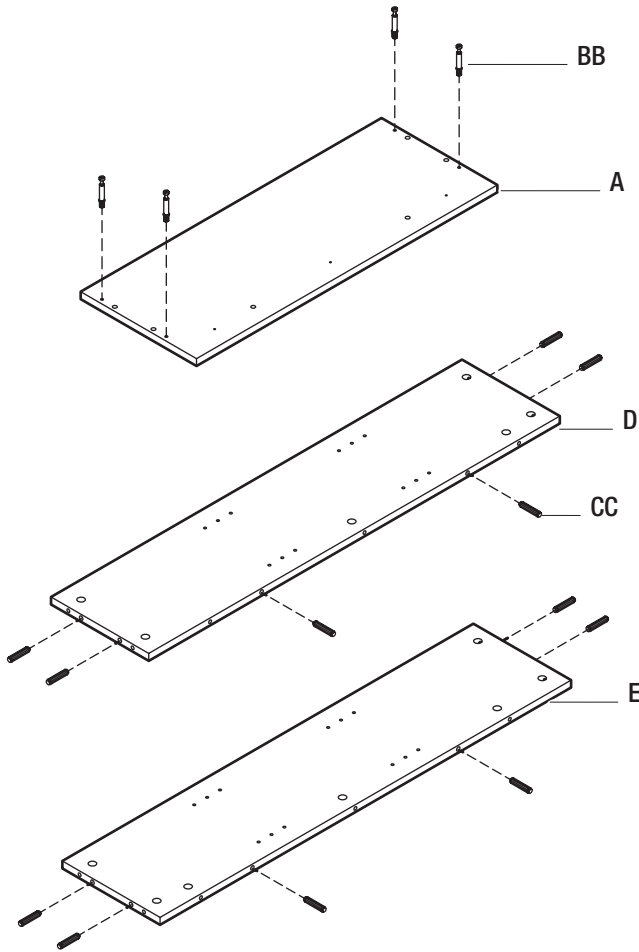


Part	Description	Quantity
A	Hutch top	1
B	Top	1
C	Bottom	1
D	Upper left side panel	1
E	Upper right side panel	1
F	Left side panel	1
G	Right side panel	1
H	Bottom front rail	1
I	Adjustable shelf	3
J	Top trim	1
K	Long rail	2
L	Short rail	2
M	Upper back panel	1
N	Lower back panel	1

Assembly

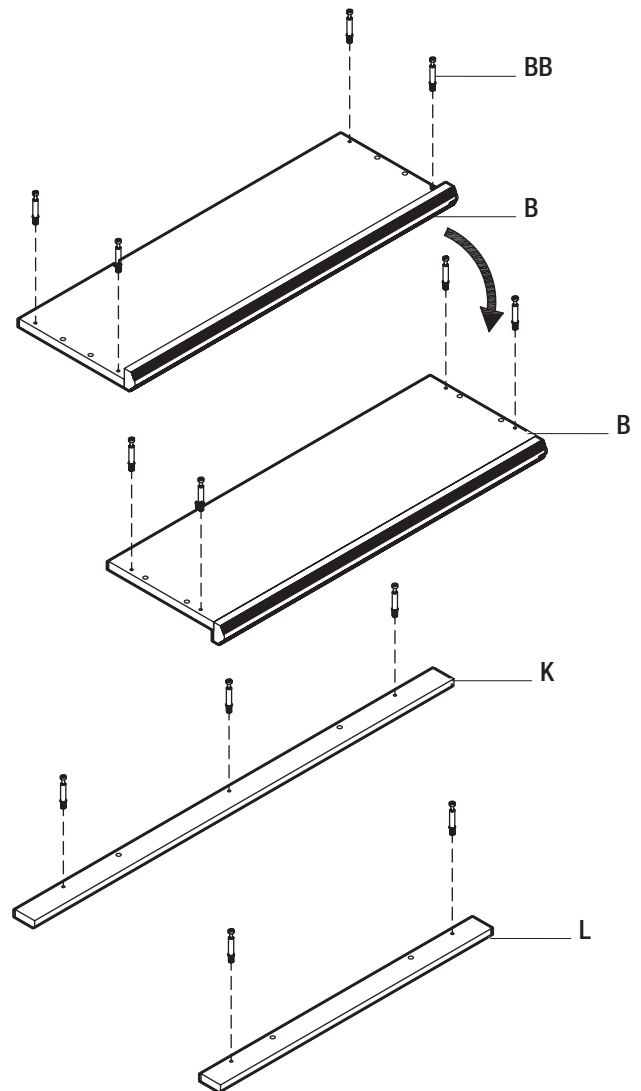
1 Preparing the hutch top and top

- Screw four cam bolts (BB) into the appropriate holes on the hutch top (A).
- Insert six wood dowels (CC) into the appropriate holes along the sides of the upper left and right side panels (D and E).



2 Preparing the top and the long and short rails

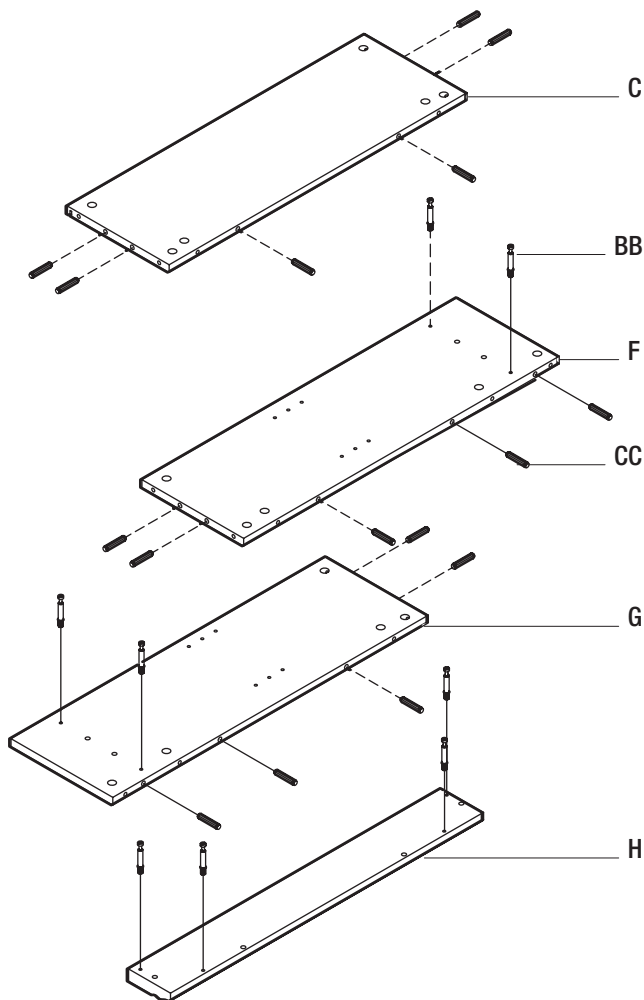
- Screw four cam bolts (BB) into each side of the top (B).
- Screw three cam bolts (BB) into the two long rails (K). Repeat for the two short rails (L).



Assembly (continued)

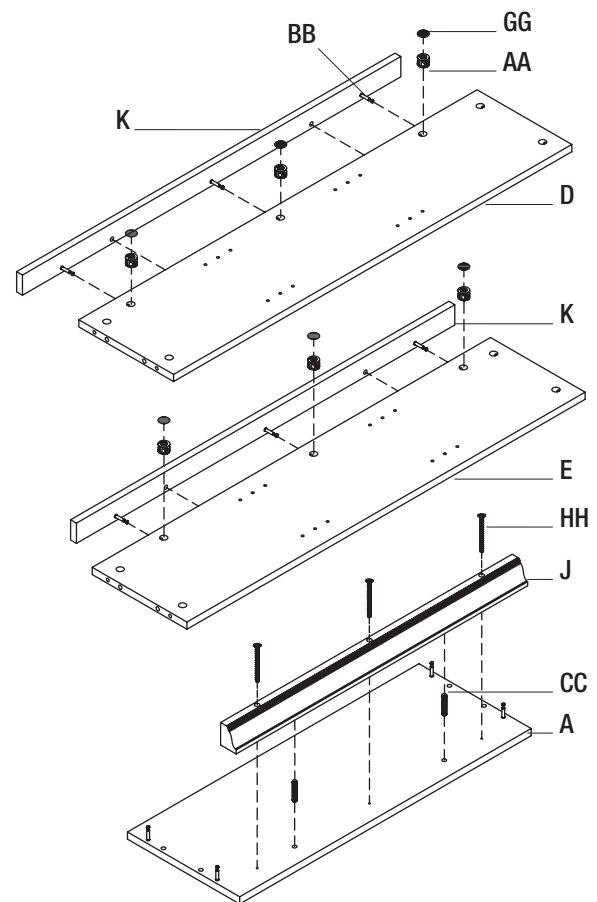
3 Preparing the bottom, side panels, and bottom front rail

- Insert sixteen wood dowels (CC) into the appropriate holes along the sides of the bottom panel (C), left side panel (F), and right side panel (G).
- Screw two cam bolts (BB) into the appropriate holes on the right side of the left side panel (F).
- Screw two cam bolts (BB) into the appropriate holes on the left side of the right side panel (G).
- Screw four cam bolts (BB) into the appropriate holes on the bottom front rail (H).



4 Attaching the long rails and top trim

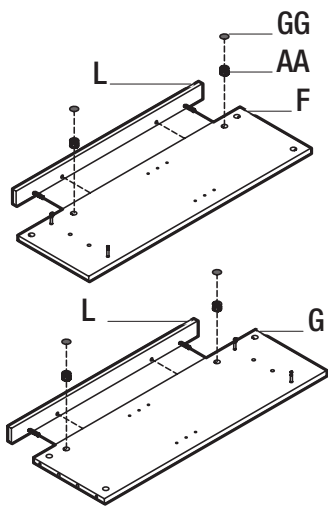
- Insert the cam bolts (BB) attached to the long rails (K) into the holes along the side of the upper left and right side panels (D and E).
- Insert three cam locks (AA) into the appropriate holes on the upper left and right side panels (D and E). Secure the long rails (K) to the panels (D and E) by turning the cam locks (AA) clockwise until they lock into place over the cam bolts (BB).
- Cover the six cam locks (AA) with covers (GG).
- Attach the top trim (J) to the hutch top (A) by inserting two wood dowels (CC) into the hutch top (A), positioning the top trim (J) over the two dowels (CC) and securing together using three 4x55 mm screws (HH).



Assembly (continued)

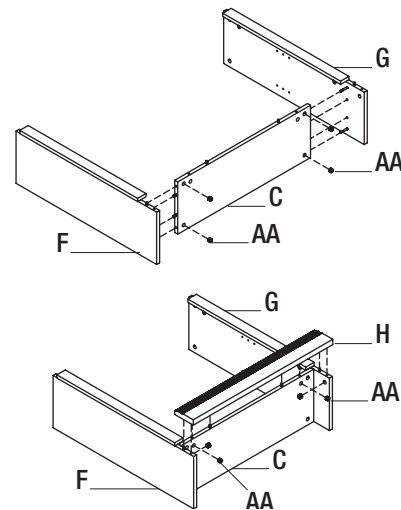
5 Attaching the short rails

- Insert the cam bolts (BB) attached to the short rails (L) into the holes along the side of the left and right side panels (F and G).
- Insert two cam locks (AA) into the appropriate holes on the left and right side panels (F and G). Secure the short rails (L) to the panels (F and G) by turning the cam locks (AA) clockwise until they lock into place over the cam bolts (BB).
- Cover the four cam locks (AA) with covers (GG).



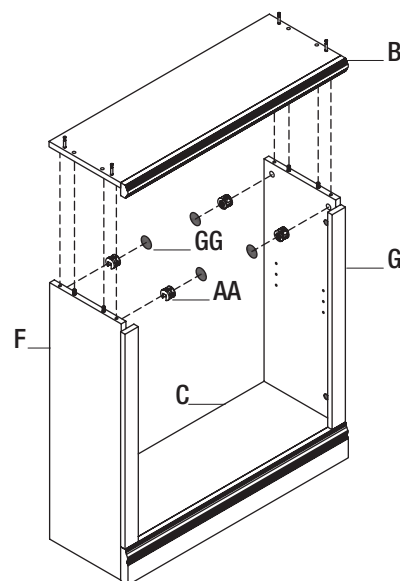
6 Attaching the side panels and bottom front rail

- Position the bottom of the left and right side panels (F and G) against the sides of the bottom (C). Ensure that the wood dowels (CC) and cam bolts (BB) are fully inserted into the appropriate holes.
- Insert four cam locks (AA) into the four corner holes of the bottom (C) and secure the left and right side panels (F and G) to the bottom (C) by turning the cam locks (AA) clockwise until they lock into place over the cam bolts (BB).
- Place the bottom front rail (H) over the front of the bottom assembly. Secure together by inserting four cam locks (AA) into the front bottom corners of the bottom assembly and turning the cam locks (AA) clockwise until they lock into place over the cam bolts (BB).



7 Attaching the top

- Place the top (B) on top of the bottom assembly, ensuring all cam bolts (BB) and wood dowels (CC) fit together.
- Secure the top (B) to the bottom assembly by inserting four cam locks (AA) into the holes along the top of the left and right side panels (F and G) and turning the cam locks (AA) clockwise until they lock into place over the cam bolts (BB).
- Cover the four cam locks (AA) with covers (GG).



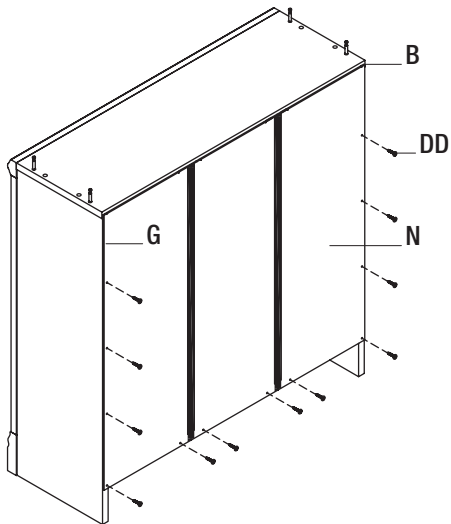
Assembly (continued)

8 Attaching the lower back panel



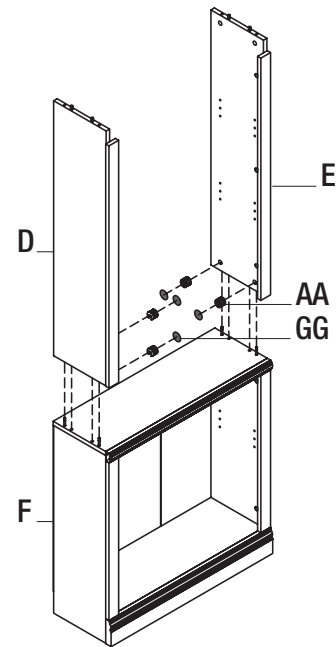
NOTE: Before attaching the back panel, ensure that the unit is at 90°.

- Attach the lower back panel (N) to the back of the bottom assembly using twelve 3x14 mm screws (DD).



9 Attaching the upper left and right side panels

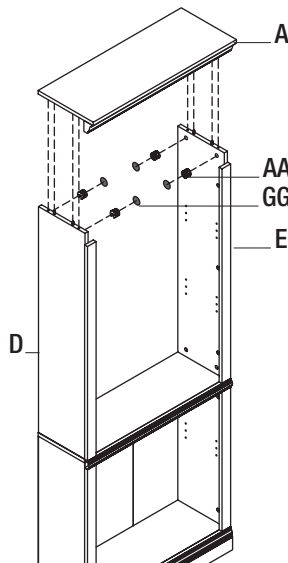
- Place the upper left and right side panels (D and E) on top of the bottom assembly. Ensure that all cam bolts (BB) and wood dowels (CC) are fully inserted in all holes.
- Secure the left and right side panels (D and E) to the bottom assembly by inserting four cam locks (AA) into the bottom panel holes (D and E) and turning the cam locks (AA) clockwise until they lock into place over the cam bolts (BB).
- Cover the four cam locks (AA) with covers (GG).



Assembly (continued)

10 Attaching the hutch top

- Place the hutch top (A) on top of the assembly, ensuring all cam bolts (BB) and wood dowels (CC) fit together.
- Secure the hutch top (A) to the assembly by inserting four cam locks (AA) into the holes along the top of the upper left and right side panels (D and E) and turning the cam locks (AA) clockwise until they lock into place over the cam bolts (BB).
- Cover the four cam locks (AA) with covers (GG).

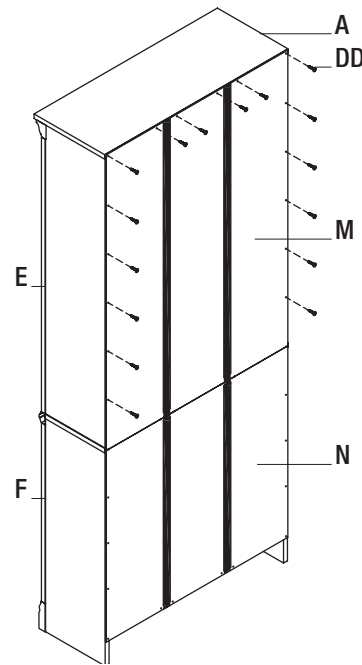


11 Attaching the upper back panel



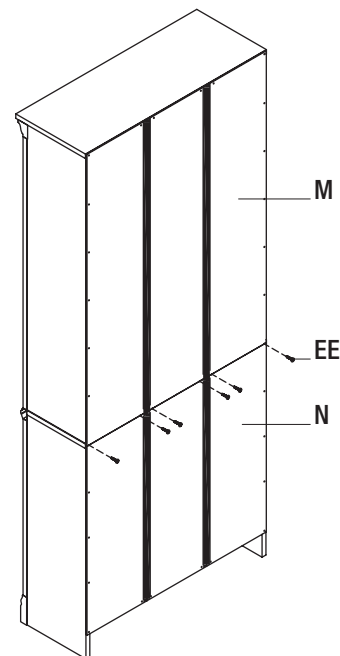
NOTE: Before attaching the back panel, ensure that the unit is at 90°.

- Attach the upper back panel (M) to the back of the assembly using sixteen 3x14 mm screws (DD).



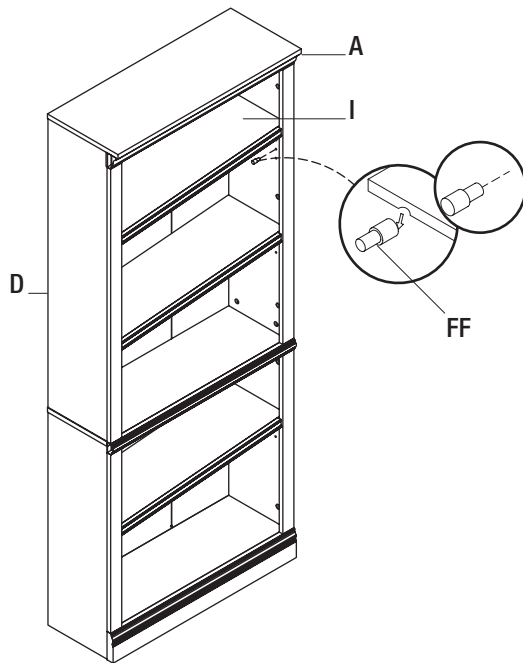
12 Connecting the back panels

- Connect the back panels (M and N) to the back of the bookcase using six 4x16 screws (EE) along seam of the panels (M and N).



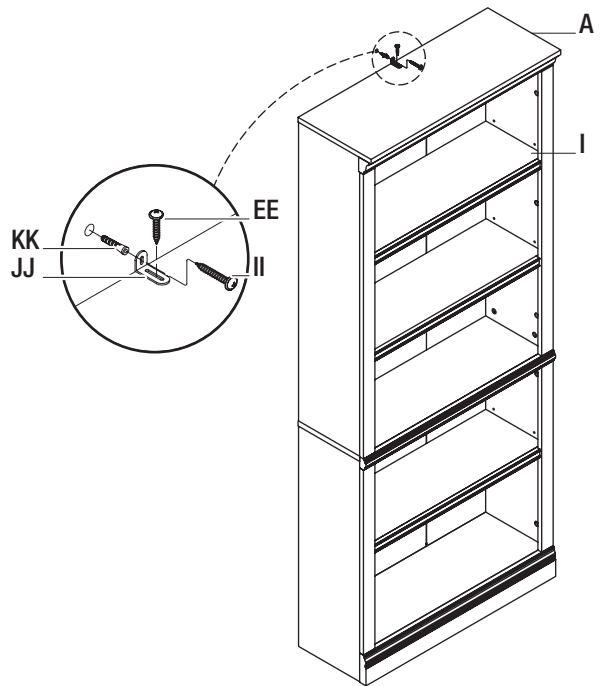
13 Installing the shelves

- Insert shelf supports (FF) into the desired holes along the inside of the bookcase assembly and place the shelves (I) on top of the supports (FF).



14 Securing the bookcase to the wall

- Attach the wall bracket (JJ) to the top center of the bookcase using a 4x16 mm screw (EE).
- Position the bookcase along the portion of wall where you wish the bookcase to remain and mark the installation hole for the wall anchor (KK) using a pencil.
- Drill a hole for the wall anchor (KK), insert the wall anchor (KK) into the wall, and secure the bookcase to the wall using the 4x38 mm screw (II).



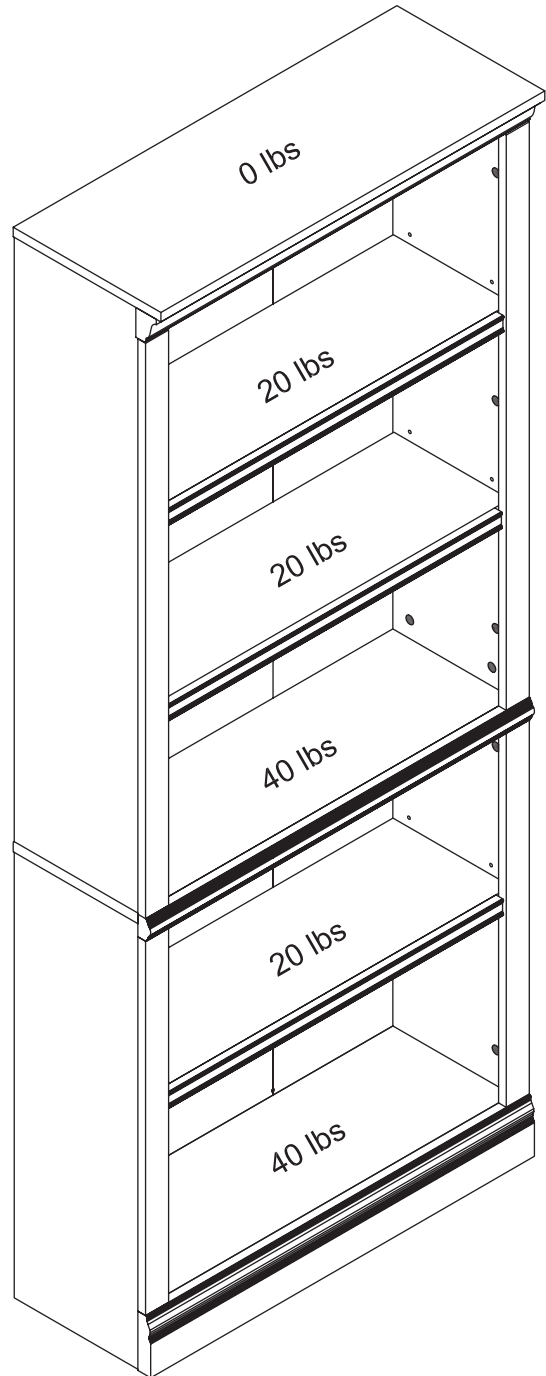
Assembly (continued)

WEIGHT LIMITS

- This unit has been designed to support the maximum loads shown. Exceeding these load limits could cause sagging, instability, product collapse, and/or serious injury.



WARNING: Please ensure that all the objects are removed before moving the assembled unit. The unit must be lifted by more than one person, not dragged or pushed. Failure to do so will cause product damage, instability, product collapse, and/or serious injury.





Questions, problems, missing parts? Before returning to the store,
call Hampton Bay Customer Service
8 a.m.-6 p.m., EST, Monday-Friday

1-855-HD-HAMPTON

HAMPTONBAY.COM

Retain this manual for future use.