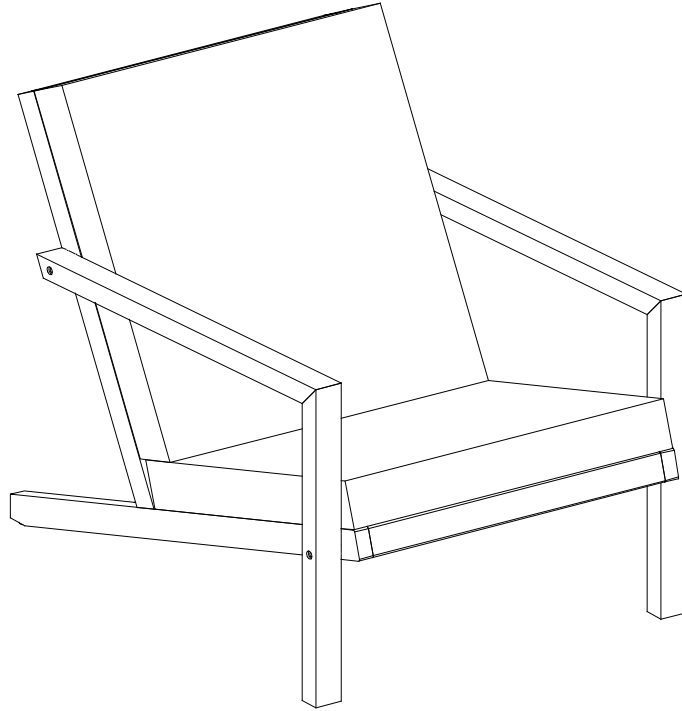


Assembly Instructions

Arm Chair

CAUTION: You must read this before you proceed.

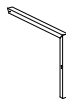
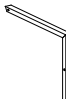
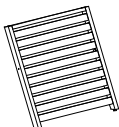



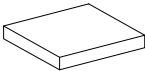
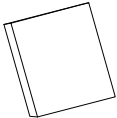
CAUTION : This Chair is NOT a TOY.

Keep your child / children at bay in the process of assembly.





For turning the Counter Chair and to prevent damage to the Chair, 02 persons may be needed execute this action.

Parts List

No.	Picture	Description
A		Left Arm Panel
B		Right Arm Panel
C		Backrest
D		Seat Panel

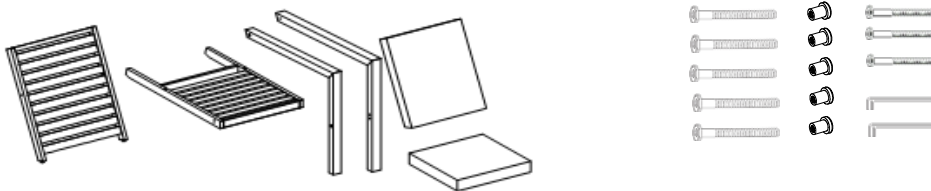
E		Seat Cushion
F		Back Cushion




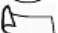

Hardware

No.	Picture	Description
①		Bolts (M6x60mm)
②		Sleeve nut (6x15)
③		Screws (M6x80mm)
④		Allen Key

Assembly Preparation

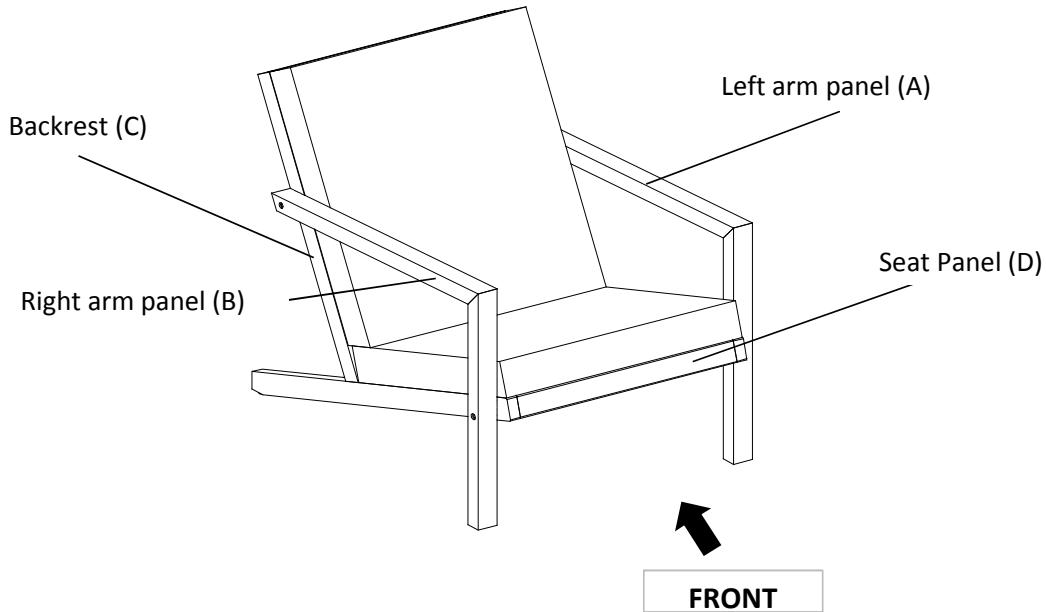
Before Beginning Assembly:



-  Read instructions, cover to cover.
-  Have 2 adults on hand for assembly.
-  Do not assemble on flooring or carpet.
-  Assemble on a clean non-marring surface (packing foam).
-  Save all packaging until finished.

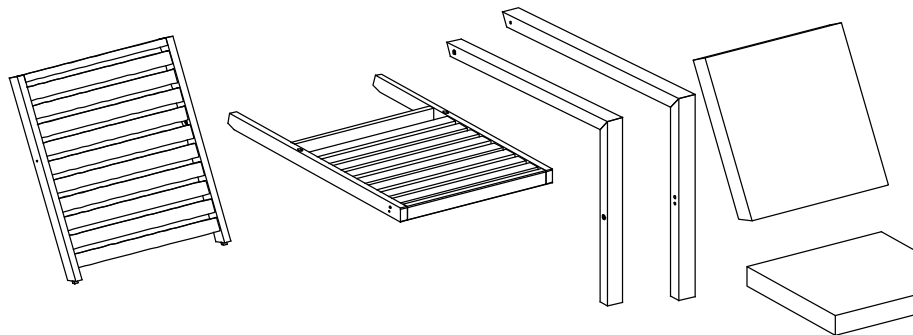
Assembly Steps

OVERVIEW



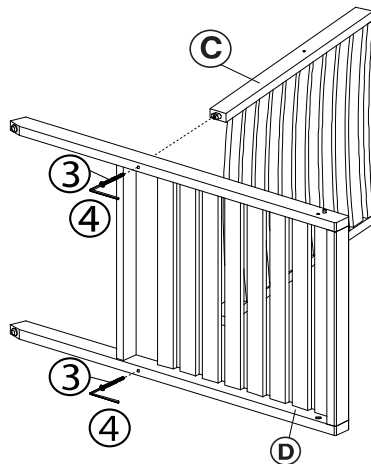
This Counter Chair has multiple parts and may require up to 30 minutes to assemble. To give you an overview of the Counter Chair parts, the above picture is to help you put the various parts into perspective. Please read through the instructions herebelow to familiarise the parts and steps of assembly.

Step 1



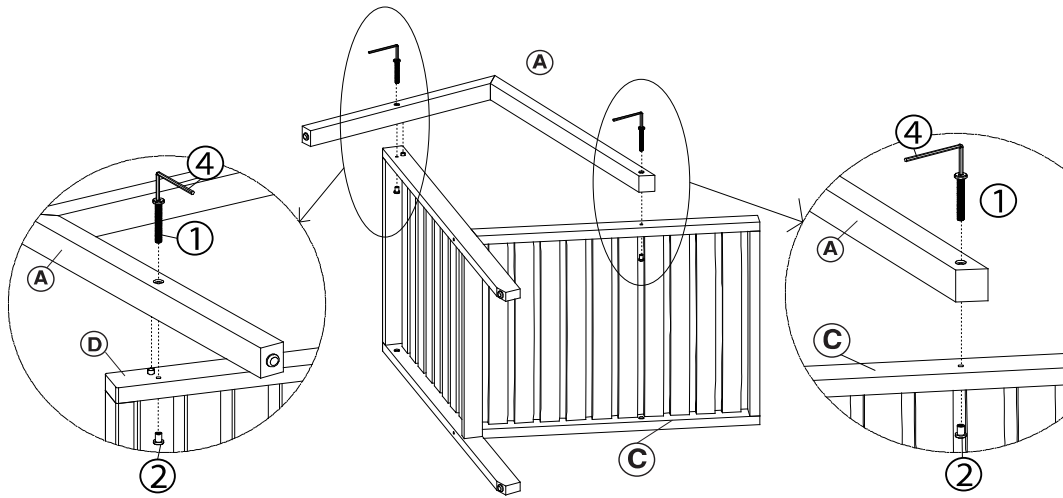
Unpack and place all parts on a clean, non-marring surface.

Step 2



Attach Back rest (C) with the Seat panel (D) as shown in picture. Then secure the Back rest (C) and the Seat panel (D) by using Screw (3) and Allen Key (4). **Do not fully tighten the Screws.**

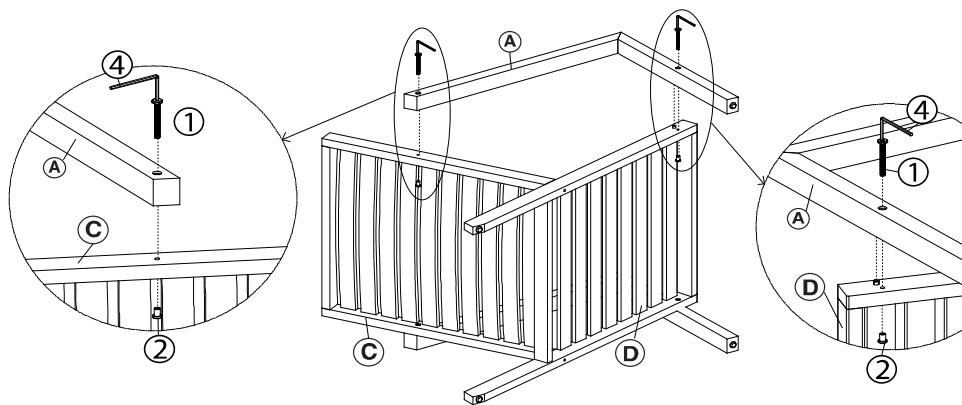
Step 3



Attach Right Armrest (B) with the assembled frame in step 2 as shown in picture.
Then secure the Right Armrest (B) with the assembled frame by using Bolts (1), Sleeve nut (2) and Allen Key (4).

Do not fully tighten the Bolts.

Step 4

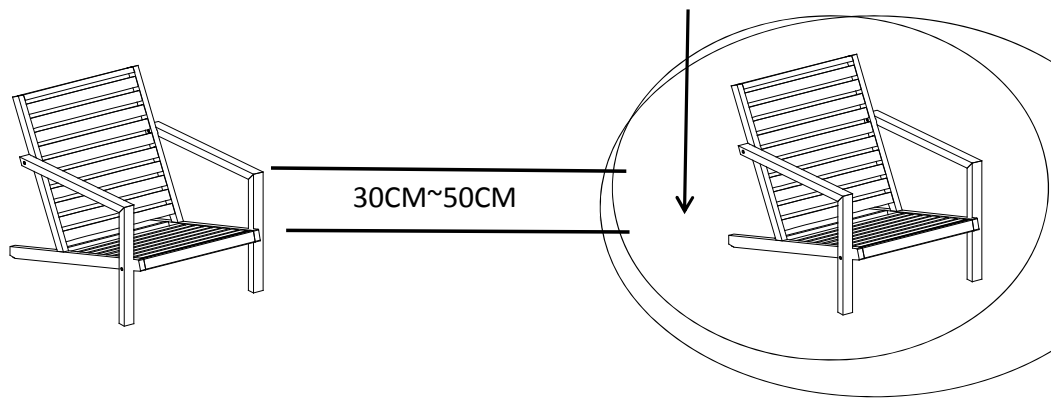


Turn the chair to reverse side.

Repeat Step 3 to attach Left Armrest (C) with the assembled frame in step 3 as shown in picture.

Do not fully tighten the Bolts.

Step 5



Turn the Chair right side up
Place the Chair on a LEVEL SURFACE to see if it wobbles.

If it wobbles, lift the Chair to some 30cm to 50cm height from the ground.

Keep your feet and toes well away from the drop zone.

Drop the Chair freely and vertically with the four legs, hitting the ground, at the same time.

This Drop Test will help to ensure that all the screws and gaps to all reach full alignment status

Test again for evenness on a LEVEL SURFACE.

If no wobbles found, proceed to tighten all the bolts/screws.

CAUTION: When tightening these bolts/screws, tighten sequentially.

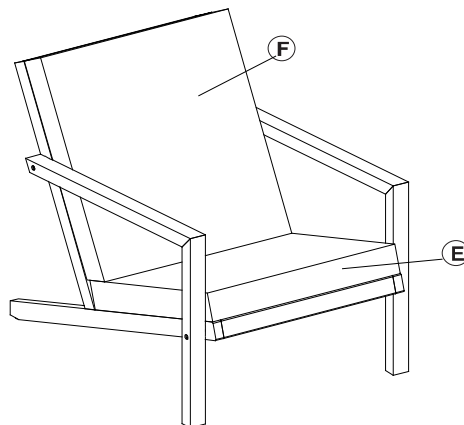
DO NOT tighten any bolts/screws fully and then towards the next one.

This would cause the frame to warp.

If there is still wobbles, loosen the bolts/screws and execute this same drop tests.

WARNING! IF THE CHAIR IS NOT STABLE , IT COULD LEAD TO DAMAGE THE PRODUC

Step 6











Inspect the Chair and make sure all parts are connected.


Place Back cushion (F) and Seat cushion (E) onto the chair as shown picture.

Your Chair is ready for use.

Caution: This Chair can only be used on a flat, level surface.

Care & Maintenance

-  ● Do not put hot items directly on furniture surface
-  ● Do not clean furniture with harsh cleansers or polish.
-  ● To obtain the longest lifespan of your outdoor products, minimizing exposure to sunlight is recommended.
-  ● Children should not climb or jump on the furniture.
-  ● Do not write on furniture without a padded barrier to protect the surface.
-  ● To obtain the longest lifespan of your outdoor products, avoid extended and lengthy exposure to rain, snow, and direct sunshine. Whenever possible cover the product and /or place under patio or awnings.
-  ● Not for commercial use. For residential use only .
-  ● Stains may be removed with mild soap solution and damp cloth.

-  ● Dust and pick-up spills using a clean, non-colored, lint-free cloth .

What is Proposition 65?

Proposition 65 is a California law that requires warning labels on products that may contain one more than 800-plus chemicals or ingredients that the California Office of Environmental Health Hazard Assessment (OEHHA) has deemed to cause cancer or other reproductive toxicity. The chemicals and elements on this list include wood dust, brass, and other everyday substances, which can be found in very common household items, such as: lamps, tableware, jewelry, crystal glasses, electrical cords, beauty products, automobiles, and furniture.

Why Did I Find a Proposition 65 Warning on My Home Goods Product?

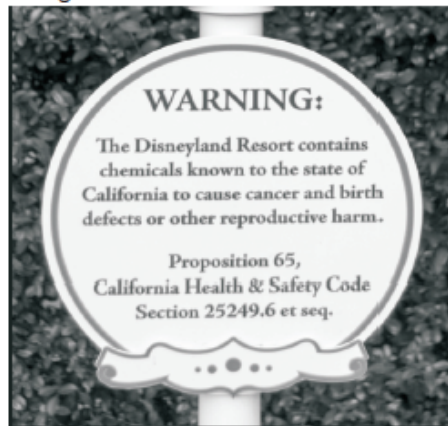
We include Proposition 65 warnings on all of our products because there is always a chance that one of the 800-plus common chemicals and ingredients listed under this law could potentially be found on furniture or packing materials. We risk large fines under this law, if we don't include this warning label.

Should I worry?

We realize you may be worried finding this warning on our products, but we want to reassure you that the hazardous exposure limits for any of these chemicals have never been found on furniture products that we've shipped to our customers. Additionally, this warning label is very common and can be found on almost every piece of furniture sold in the state of California.

Just How Common Are Proposition 65 Warnings?

Proposition 65 warnings have become so common in California that it is hard to take a trip to a bank, grocery store, or restaurant without finding at least one warning. In fact, even the Disney Resort has a Proposition 65 warning:





l to



Qty

1

1

1

1

1

1

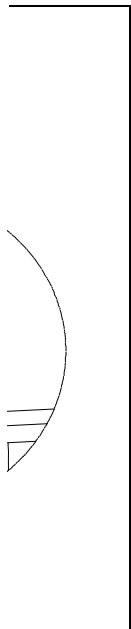
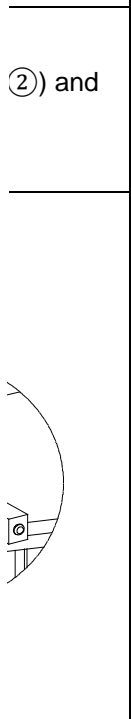
1

1

1

you an
before




②) and

re.



to direct

er

of

chemicals
be
electric

at one
four
g.

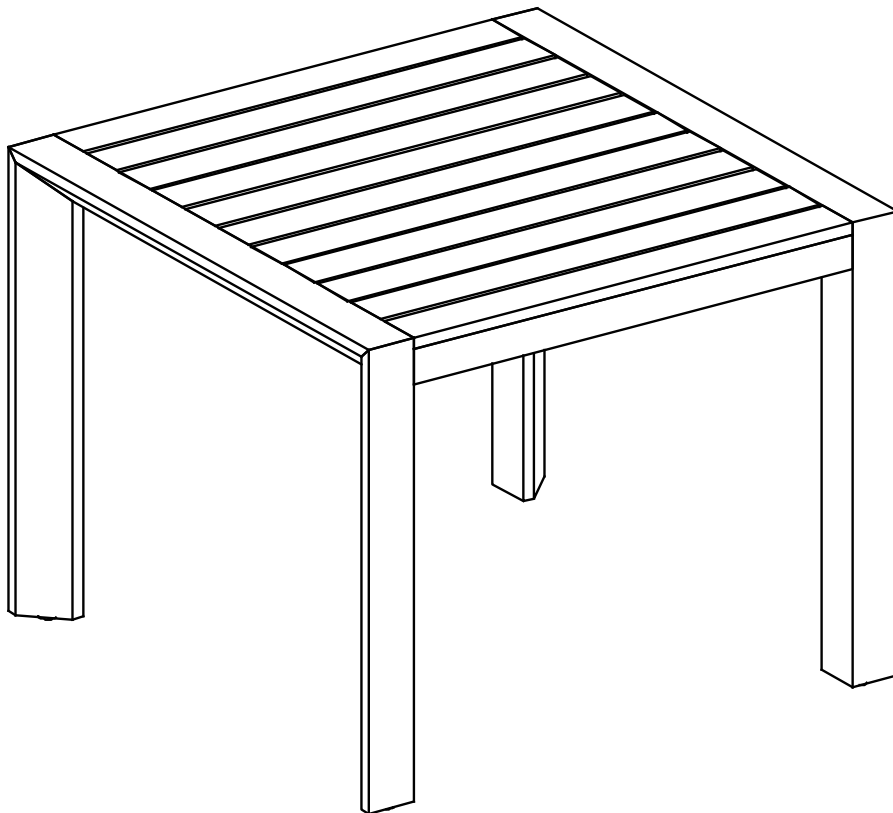
ou that
products
re

local
Land

Assembly Instructions


TABLE

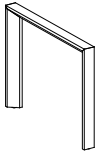
CAUTION: You must read this before you proceed.





CAUTION : This Table is NOT a TOY.
Keep your child / children at bay in the process of assembly.
For turning the Table and to prevent damage to the Table, 02 persons may be needed to execute this action.

Parts List

No.	Picture	Description	Qty
A		Table Top	1

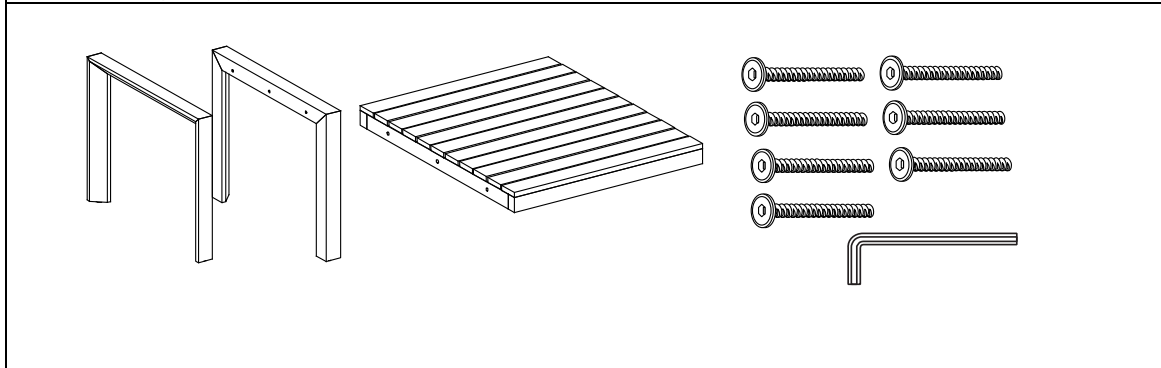
B		Leg Panels	2
----------	---	------------	---






Hardware

No.	Picture	Description	Qty
①		Bolts (M6 x 35mm)	7
②		Allen Key	1

Assembly Preparation

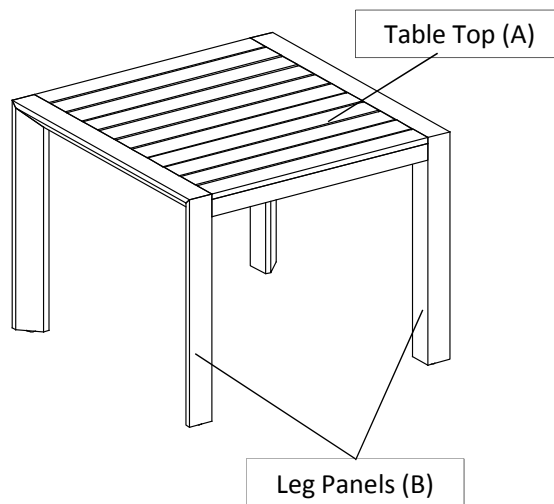
Before Beginning Assembly:



-  Read instructions, cover to cover.
-  Have 2 adults on hand for assembly.
-  Do not assemble on flooring or carpet.
-  Assemble on a clean non-marring surface (packing foam).
-  Save all packaging until finished.

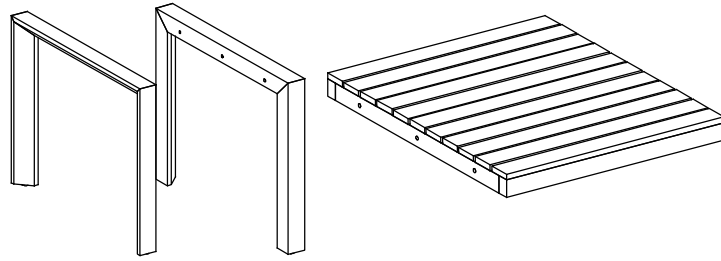
Assembly Steps

OVERVIEW



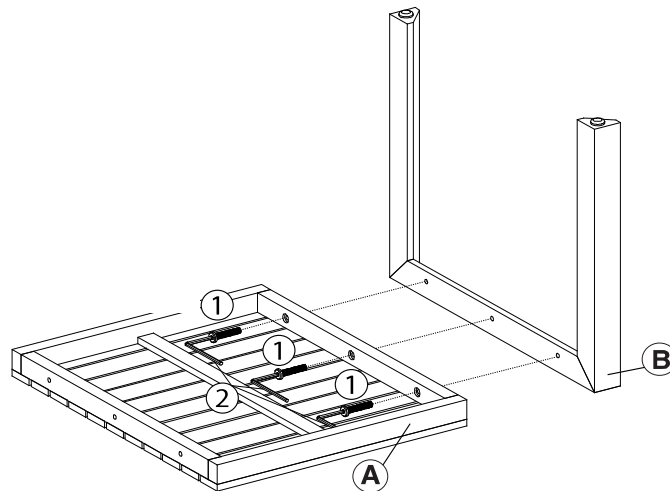
This Table has multiple parts and may require up to 30 minutes to assemble. To give you an overview of the Table parts, the above picture is to help you put the various parts into perspective. Please read through the instructions herebelow to familiarise the parts and steps before assembly.

Step 1



Unpack and place all parts on a clean, non-marring surface.

Step 2

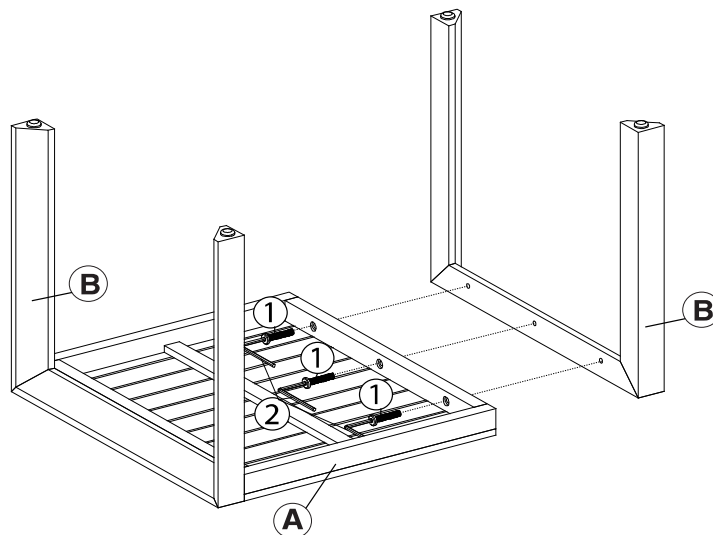


Place the Table Top (A) facedown, onto a clean, soft surface to avoid any scratches or damages to the product.

Position the Leg Panel (B) into the Table Top (A) as shown in picture above. Then affix Leg Panel (B) to Table Top (A) by using Bolt (1) and Allen Key (2).

DO NOT FULLY TIGHTEN THE BOLTS

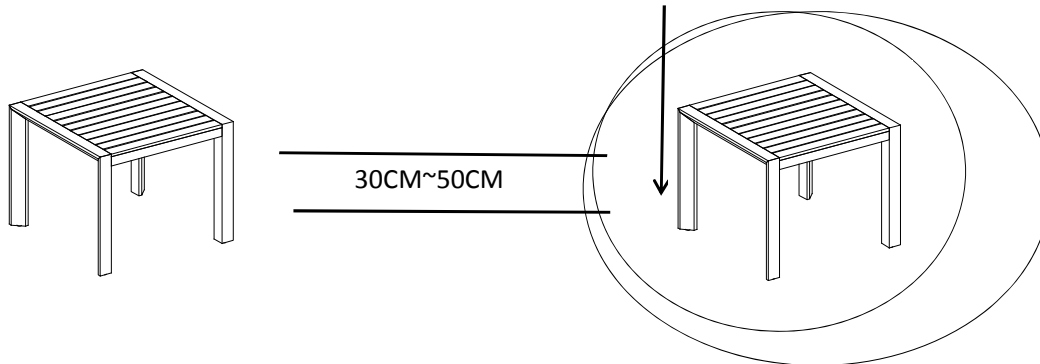
Step 3



Repeat the same process 2.2 to affix another Leg Panel (B) to Table Top (A).

DO NOT FULLY TIGHTEN THE BOLTS

Step 4



Turn the Table right side up
Place the Table on a LEVEL SURFACE to see if it wobbles.

If it wobbles, lift the Table to some 30cm to 50cm height from the ground.
Keep your feet and toes well away from the drop zone.
Drop the Table freely and vertically with the four legs, hitting the ground, at the same time.
This Drop Test will help to ensure that all the screws and gaps to all reach full alignment status.
Test again for evenness on a LEVEL SURFACE.
If no wobbles found, proceed to tighten all the bolts.

CAUTION: When tightening these bolts tighten sequentially.
DO NOT tighten any bolts fully and then towards the next one.
This would cause the frame to warp.

If there is still wobbles, loosen the bolts and execute this same drop tests.

WARNING! IF THE TABLE IS NOT STABLE , IT COULD LEAD TO DAMAGE THE PRODUCT.

Care & Maintenance

- Do not put hot items directly on furniture surface
 - Do not clean furniture with harsh cleansers or polish.
 - To obtain the longest lifespan of your outdoor products, minimizing exposure to direct sunlight is recommended.
 - Children should not climb or jump on the furniture.
 - Do not write on furniture without a padded barrier to protect the surface.
 - To obtain the longest lifespan of your outdoor products, avoid extended and lengthy exposure to rain, snow, and direct sunshine. Whenever possible cover the product and /or place under patio or awnings.
 - Not for commercial use. For residential use only .
 - Stains may be removed with mild soap solution and damp cloth.
-
- Dust and pick-up spills using a clean, non-colored, lint-free cloth .

What is Proposition 65?

Proposition 65 is a California law that requires warning labels on products that may contain one of more than 800-plus chemicals or ingredients that the California Office of Environmental Health Hazard Assessment (OEHHA) has deemed to cause cancer or other reproductive toxicity. Chemicals and elements on this list include wood dust, brass, and other everyday substances, which can be

found in very common household items, such as: lamps, tableware, jewelry, crystal glasses, electric cords, beauty products, automobiles, and furniture.

Why Did I Find a Proposition 65 Warning on My Home Goods Product?

We include Proposition 65 warnings on all of our products because there is always a chance that one of the 800-plus common chemicals and ingredients listed under this law could potentially be on our furniture or packing materials. We risk large fines under this law, if we don't include this warning.

Should I worry?

We realize you may be worried finding this warning on our products, but we want to reassure you that the hazardous exposure limits for any of these chemicals have never been found on furniture products that we've shipped to our customers. Additionally, this warning label is very common and can be found on almost every piece of furniture sold in the state of California.

Just How Common Are Proposition 65 Warnings?

Proposition 65 warnings have become so common in California that it is hard to take a trip to a local bank, grocery store, or restaurant without finding at least one warning. In fact, even the Disney Land Resort has a Proposition 65 warning:

