

RVH9300X

Stainless Steel Apron-Front /
Farmhouse Kitchen Sink Single Bowl



Features

- 16 gauge stainless steel
- Premium 304 grade stainless steel (18/10 Chromium/Nickel)
- Luxurious satin finish - Easy to clean and long-lasting
- Heavy duty sound guard padding and undercoating
- Slanted bottom with elegant drain grooves for easy draining
- 10mm Tight Radius Rounded Inside Corners



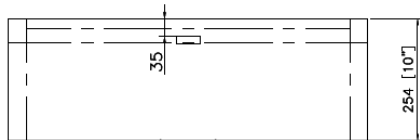
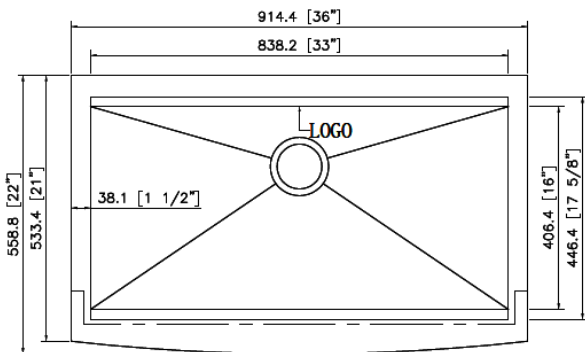
In the Box

- Sink
- Cutting Board
- Colander
- Rollup Rack
- Bottom rinse grid
- Basket Strainer Drain



Dimensions

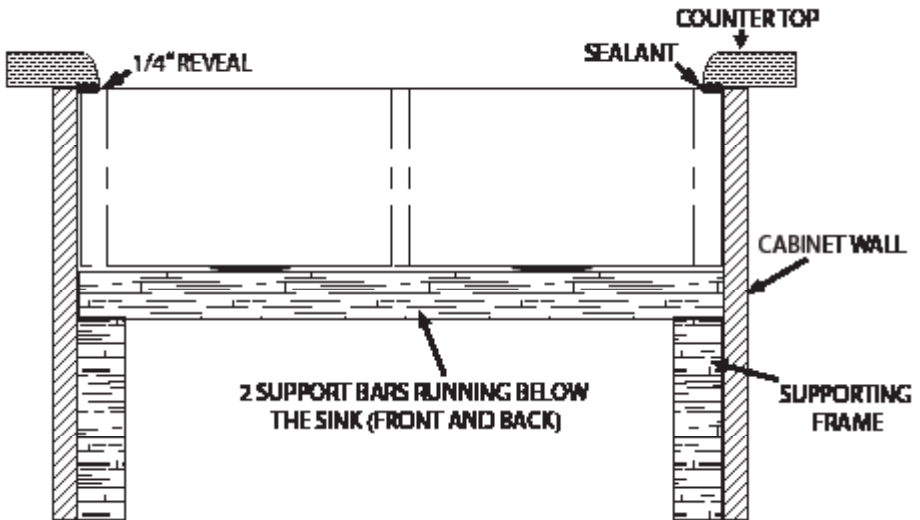
Model Number	Width	Length	Depth
RVH9300X	36" (overall)	22"	10"



Attention Installer

1. Read these instructions carefully before installation. Inspect sink for damages. Do not install if the sink is damaged.
2. Ruvati recommends that installation of apron / farmhouse sinks be done by a professional installer.
3. Ruvati is not responsible for improper sink or countertop installation. Ruvati is not liable for any damages to sink or countertop or personal injury during installation.
4. Due to the special nature of this installation, Ruvati recommends that an experienced cabinet maker use the actual sink to build a custom cabinet or modify an existing cabinet.
5. Observe all local plumbing and building codes.

Alignment of sink to cutout is critical for a superior fit and finished look. Depending on your aesthetic preference, Ruvati sinks can be installed either with a 1/4" reveal, flush fit, or with a negative reveal. 1/4" reveal is recommended. Decide on your preference prior to installation.



Installation

1. Measure sink apron and cabinet opening to make sure sink apron will fit into cabinet opening. If necessary, sand opening or add wood filler strips.
2. Prepare the cabinet and create a support frame inside the cabinet that the sink will sit on. Use 2x4 solid wood studs to create the support frame. Your cabinet and support frame should be strong enough to hold up to 200 lbs of weight once installed. The support frame should be positioned so that the top of the sink rim is level and flush with the top surface of the cabinet perimeter. Make sure the support frame leaves room for the drains, faucet water lines, garbage disposal (if any).
3. Place a thin layer of sealant on the supporting frame where it will contact the sink.
4. Gently position the sink on the frame. Verify that the sink sits level and sturdy on the frame, and the top surface of the sink is level and flush with the top surface of the cabinet perimeter. Adjust or shim between the sink and support if necessary.
5. Due to the various cutout sizes possible (based on your preference) a cutout template is not provided. Use the actual sink measurement to determine the actual location of the cutout. Ensure adequate clearance behind the sink for any faucet and backsplash.
6. Trace cut-out opening on the countertop. Cut out the opening in the counter top. Use an Orbital sander or sanding block to smooth the edge of the cut-out area and remove all saw marks. For laminate type countertop, all exposed unlaminated surfaces near the cut-out opening must be adequately finished and sealed to prevent water damage.
7. Clean the rim of the sink and the under surface of the countertop where it will contact the rim. Apply a generous bead of sealant around the sink rim.
8. Gently position the countertop on the sink. Ensure that the sealant provides a complete seal between the countertop and the sink. Wipe off any extra sealant using a wet cloth, and apply extra sealant if there are any gaps.

Care and Maintenance

- Clean regularly with normal detergent and warm water.
- Always make a habit of drying your sink after use and buffing with a soft cloth. This will ensure that no build up of limescale or other mineral deposits can occur.
- Clean the sink once a week using a non-abrasive cleanser such as Comet and a clean soft sponge. Scrub in the same direction as the natural grain of the sink.
- **Never** let soap or other household cleaners to dry on the surface of the sink. Most products contain additives which will affect the finish of the sink.
- **Never** use bleach solutions on the sink, as it is harmful to stainless steel. If left on the sink too long it can cause surface pitting.
- **Never** use a steel wool pad to clean your sink. Doing so may damage the sink's surface and cause discoloration.
- Minor scratching of the sink's surface is extremely difficult to avoid and is not something to be unduly concerned about. These marks are usually only superficial and can be removed with a proprietary stainless steel cleaner.
- Use of rinse grids will reduce exposure of the bottom of the sink to scratches.

RUVATI LIMITED LIFETIME WARRANTY

This product has been manufactured and inspected to the highest possible quality standards. Ruvati sinks carry a limited lifetime warranty for residential use.

Should you experience any defects in materials or workmanship within the warranty period, we will repair or replace the defective product, subject to the following conditions:

- Any claim made under this warranty must include a copy of a valid proof of purchase showing the date and place of purchase.
- Our obligation under this warranty is to the original purchaser only, and may not be transferred.
- Product replacement does not include shipping costs or labor installation costs.
- This warranty applies to residential installations only.
- Ruvati reserves the right to examine product in question and its installation prior to replacement.
- If an identical replacement product is not available, Ruvati reserves the right to replace the defective product with a similar product.

NOTE: Accessories such as rinse grids, cutting boards, strainers are not covered by this warranty.

This warranty relates to defects in manufacture, materials or workmanship in a Ruvati stainless steel kitchen sink supplied for installation into domestic premises in the United States. It does not extend to :

- Damage resulting from failure to maintain the product in accordance with the *Care and Maintenance* instructions in this manual.
- Normal wear and tear, scratches or accidental damage.
- Faults arising from improper use and/or installation.
- Defects in accessories, strainers and rinse grids.

All incidental or consequential damages are specifically excluded. No additional warranties, express or implied are given, including but not limited to, any implied warranty of merchantability or fitness for a particular purpose.

Some states do not allow the exclusion or limitation of incidental or consequential damages or limitations on how long an implied warranty lasts, so the above limitations or exclusions may not apply to you.

This warranty gives you specific legal rights, and you may also have other rights which vary from state to state.