



TABLE OF CONTENTS

Product Information

General Information.....	3
Lite Cut Information.....	4
Clear Opening Layout	5
Unit Sizing, Rough Opening & Masonry Openings	6

Options

Trim Options.....	7
Frame Options	8
Jamb Extender Options	9
Mullion Options	12
Raised Panel Options	13
Bottom Rail Options	16
Stile Options.....	17
Sill Options	18
GBG/Surround Options	19
SDL Options.....	20

Section Details

Operating:

Vertical Section.....	21
Horizontal Section.....	22
Impact - Vertical Section.....	23
Quad - Horizontal Section.....	24

Fixed:

Vertical Section.....	25
4 9/16" Frame w/ ADA Sill - Vertical Section.....	26
6 9/16" Frame w/ ADA Sill - Vertical Section.....	27
Impact - Vertical Section.....	28
Wide Stile - Horizontal Section	29
Narrow Stile - Horizontal Section	30
Sidelite Stile - Horizontal Section.....	31

Fixed 2 Panel w/ Center Hinged:

Wide Stile - Horizontal Section	32
Narrow Stile - Horizontal Section	33
Sidelite Stile - Horizontal Section.....	34
Impact Wide Stile - Horizontal Section.....	35

Fixed 2 Panel w/ Side Hinged:

Wide Stile - Horizontal Section	36
Narrow Stile - Horizontal Section	37
Sidelite Stile - Horizontal Section.....	38

French:

Horizontal Section.....	39
Impact - Horizontal Section.....	40

Venting Sidelite:

Horizontal Section.....	41
-------------------------	----

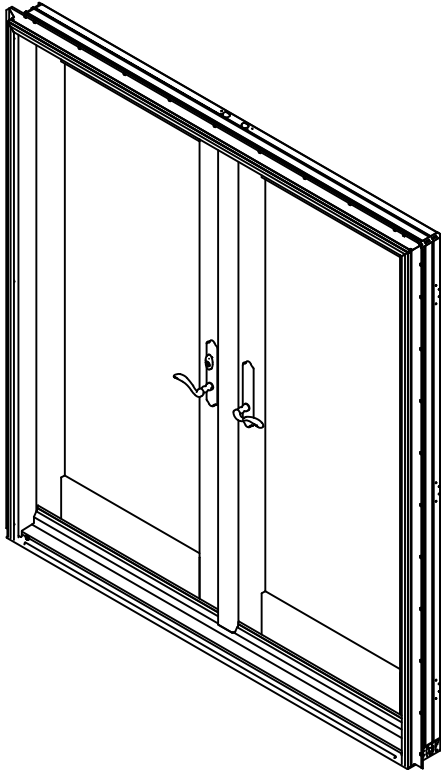


TABLE OF CONTENTS

Radius Top:
 Vertical Section.....42

Transom:
 Fixed - Vertical Section.....43
 Impact - Vertical Section.....44
 Wide Stile - Horizontal Section45
 Narrow Stile - Horizontal Section46
 Sidelite Stile - Horizontal Section.....47
 Sidelite Stile Impact - Horizontal Section48
 2 Panel Wide Stile - Horizontal Section49
 2 Panel Narrow Stile - Horizontal Section50
 2 Panel Sidelite Stile - Horizontal Section.....51
 3 Panel Wide Stile - Horizontal Section52
 3 Panel Narrow Stile - Horizontal Section53
 3 Panel Sidelite Stile - Horizontal Section.....54

GENERAL INFORMATION



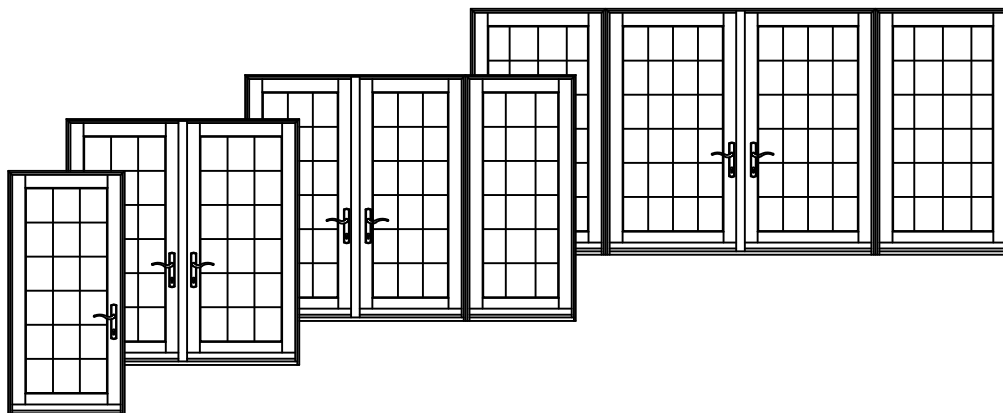
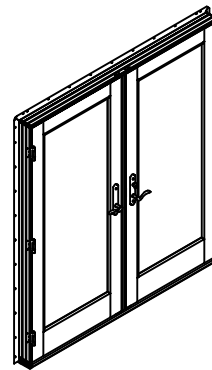
Dimensional Doors

W-4500 Clad Inswing Patio Doors may be specified as "dimensional", by adjusting the desired rough opening width or height in 1/8" increments from standard.

W-4500 Clad Inswing Patio Doors are available in single, twin, triple and quad panel doors. The standard size range includes sizes specifically designed for replacement of older patio door models in existing structures, as well as a full range of "true size" products for architectural consistency. Please consult our Quick Quote software for detailed product options and availability.

Operation

W-4500 Clad Inswing Patio Doors are available in a full range of operating styles. Single panel doors may be specified as stationary (non-venting) or can operate left or right. Center swing two- or three-panel doors are available with left or right operation.

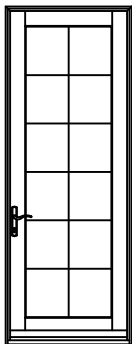


LITE CUT INFORMATION

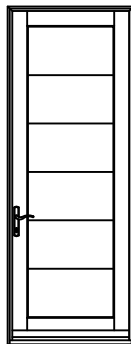
W-4500 Clad-Wood Inswing Patio Doors are available with removable Grilles, Grilles Between Glass (GBG), or Simulated Divided Lites (SDL) in various styles and widths.

Lite Cut Options

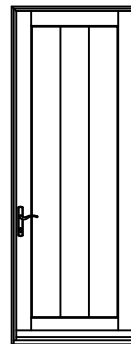
Special lite cut patterns can include a wide variety of straight line and radius patterns. The illustrations shown here represent just a few of the possibilities. Rectangular, horizontal, vertical and prairie lite patterns are available in all standard size patio doors. Uneven, diamond, radius and gothic lite cuts are available, subject to approval.



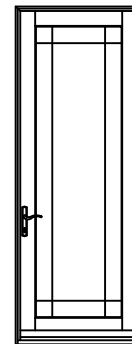
Rectangular



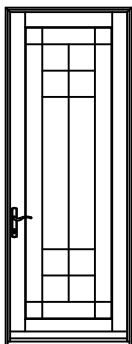
Horizontal



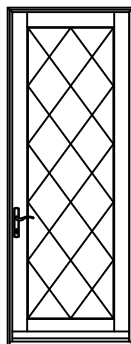
Vertical



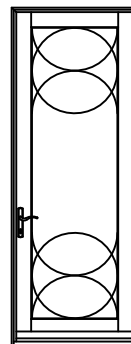
Prairie



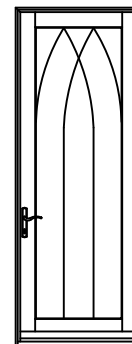
Uneven



Diamond

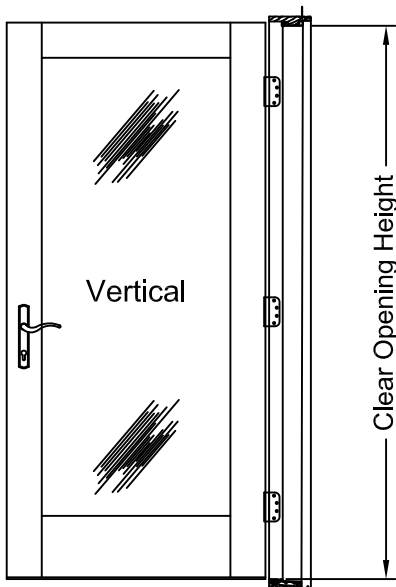


Radius

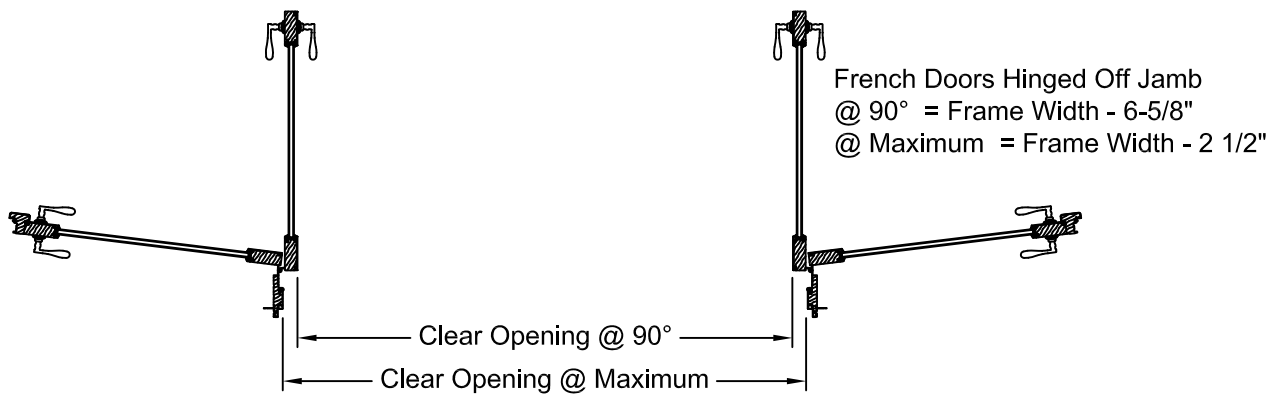
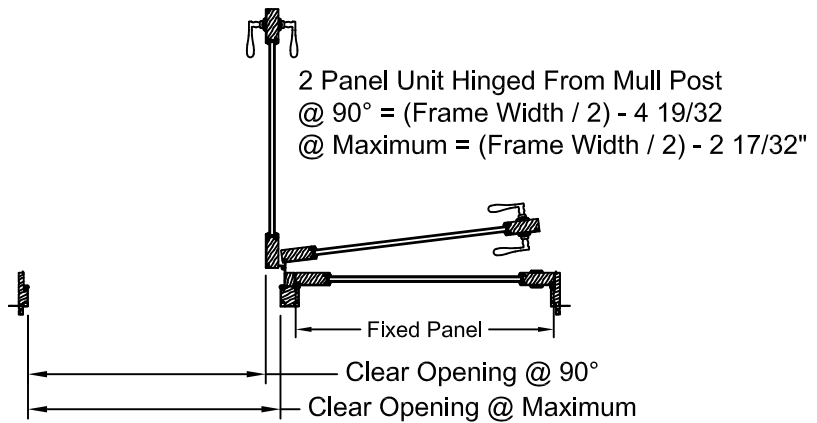
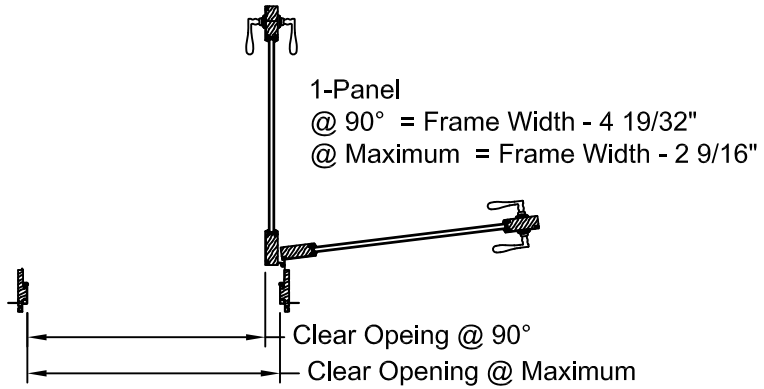


Gothic

CLEAR OPENING LAYOUT



Vertical Clear Opening
DP35 = Frame Height - 2 21/32"



Panel Callout	Panel Width
1-2	12-15/16
1-4	14-15/16
1-6	16-15/16
2-0	21-15/16
2-6	27-15/16
2-8	29-15/16
3-0	33-15/16
3-2	35-15/16
3-6	39-15/16
3-8	41-15/16

UNIT SIZING, ROUGH OPENING & MASONRY OPENINGS

General Notes:

Unit size is always the maximum size of the patio door with or without trim and does not include nail fin.

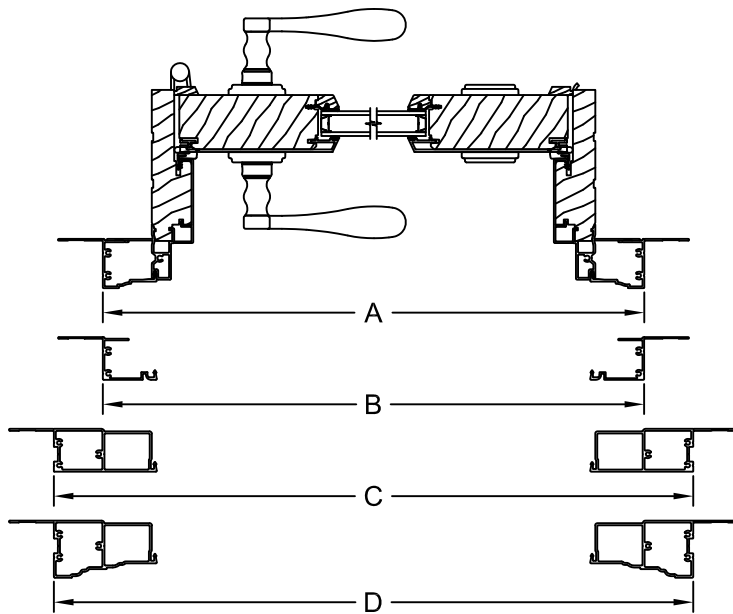
Masonry Opening:

Masonry opening is always 1/2" over (height and width) the unit size or the outside of the trim of the patio door.

Rough Opening:

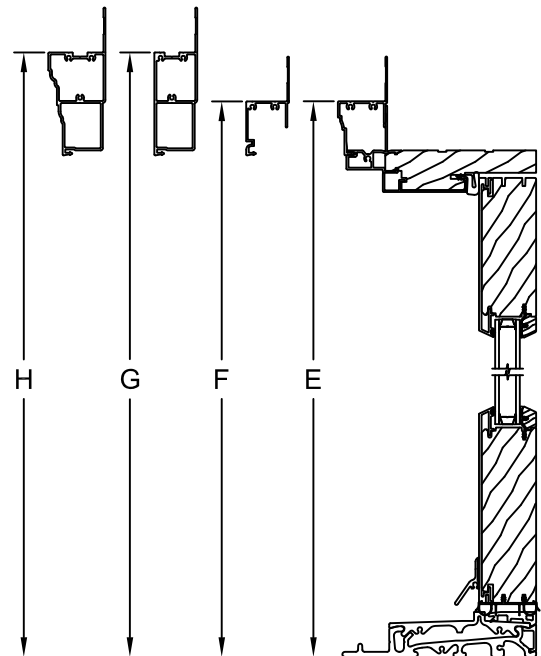
Rough opening is always 3/4" over frame size of the patio door.

Horizontal exterior trim offerings below are the same with or without sill nose.



Horizontal Sections		
Trim Option	Dimension	Frame +
Brickmold (BM)	A	3"
Beaded Brickmold (BBM)	B	3"
3 1/2" Flat Casing (FC)	C	6"
Adams Casing (AC)	D	6"

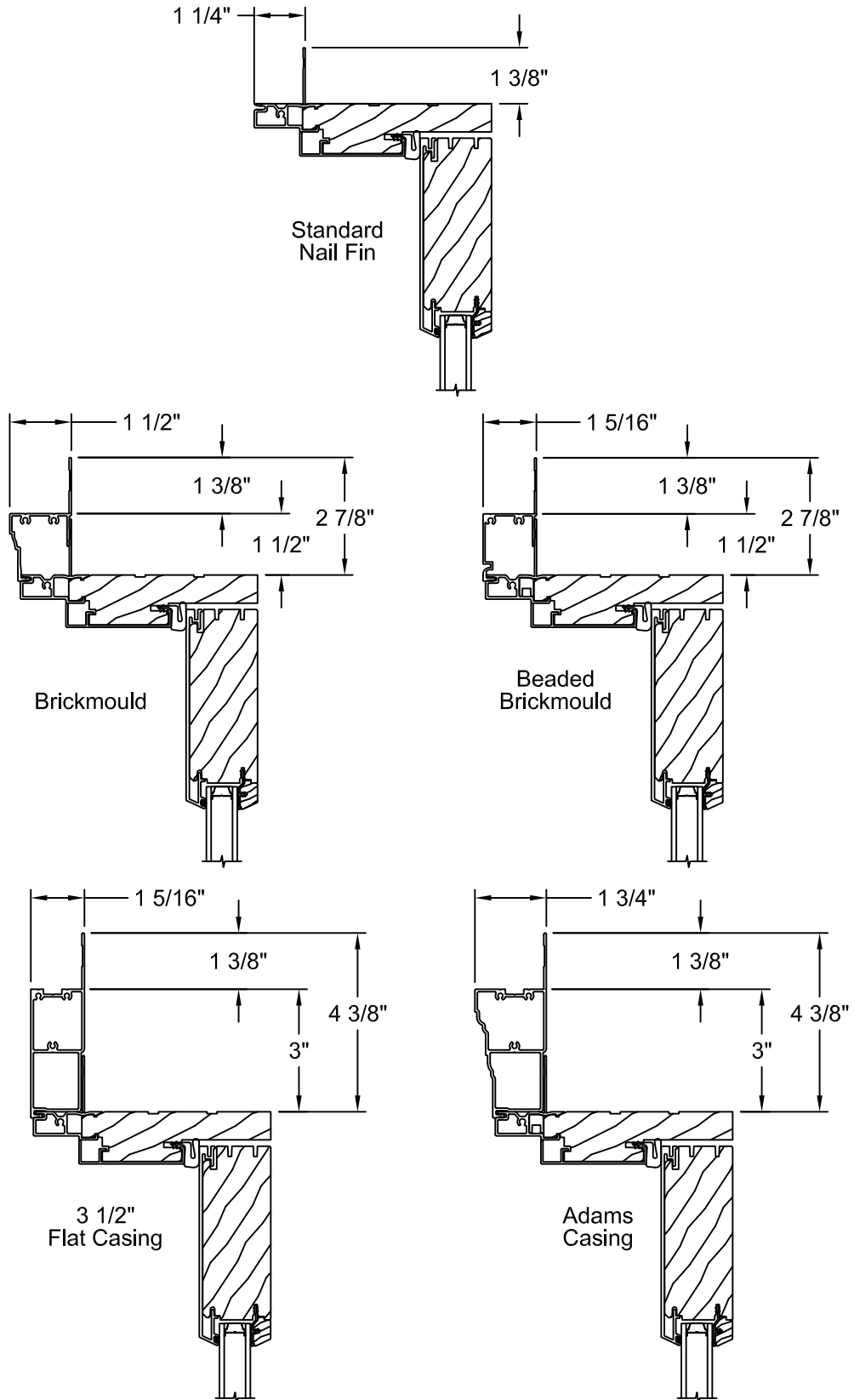
Vertical exterior trim offerings with standard sill nosing. Trim on 3 sides.



Vertical Sections		
Trim Option	Dimension	Frame +
Brickmold (BM)	E	1 1/2"
Beaded Brickmold (BBM)	F	1 1/2"
3 1/2" Flat Casing (FC)	G	3"
Adams Casing (AC)	H	3"

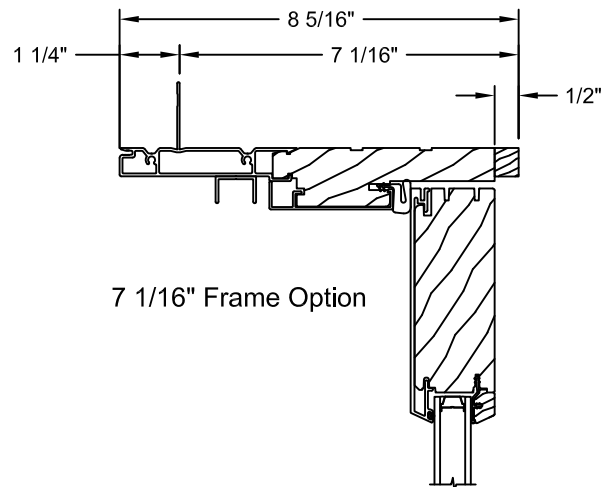
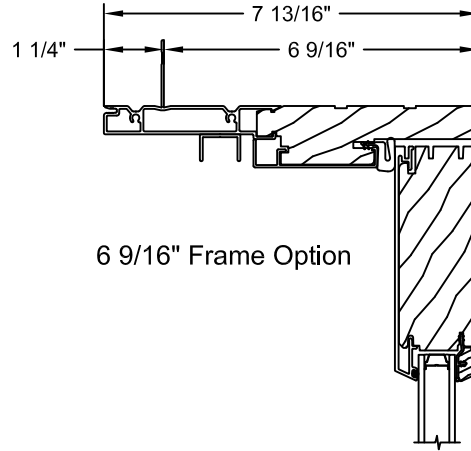
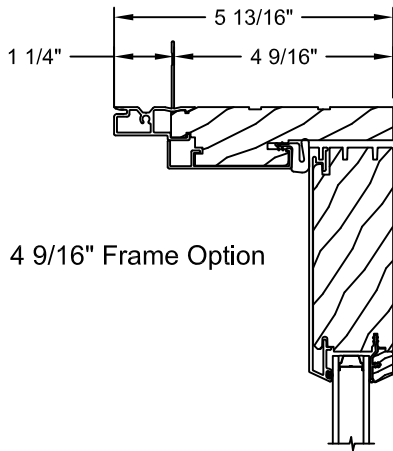


TRIM OPTIONS



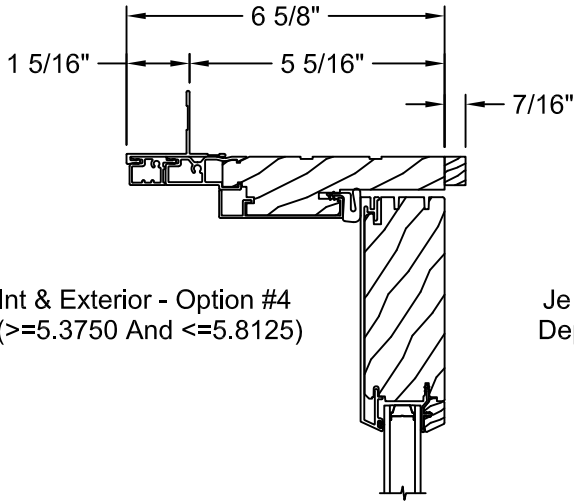


FRAME OPTIONS

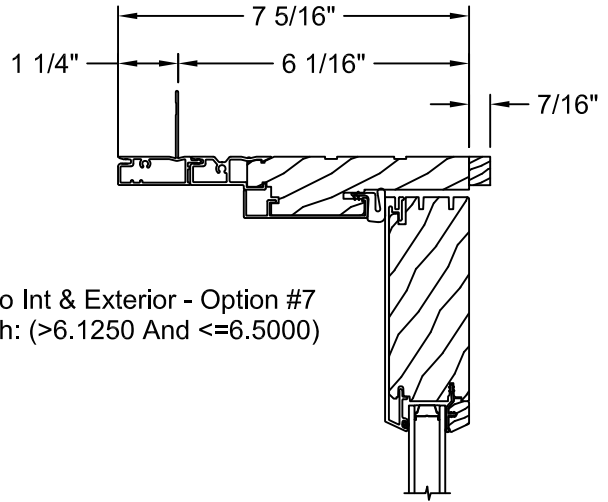




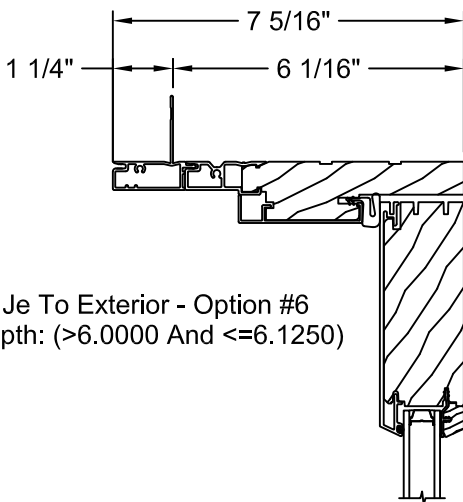
JAMB EXTENDER OPTIONS



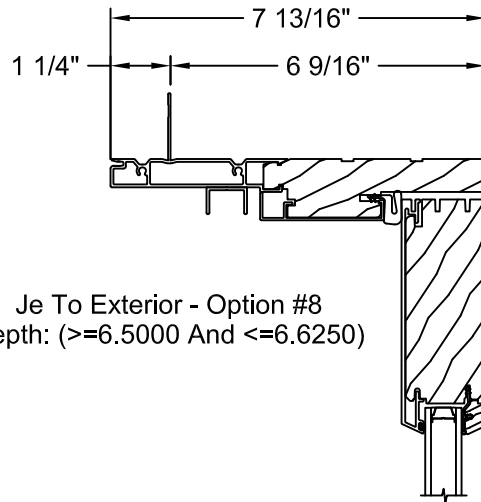
Je To Int & Exterior - Option #4
Depth: (>=5.3750 And <=5.8125)



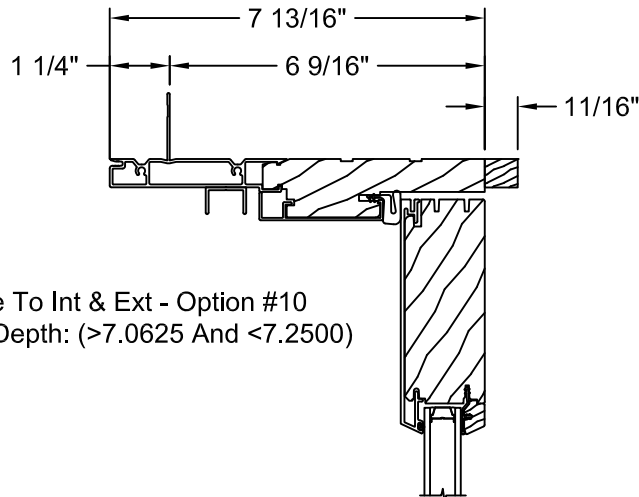
Je To Int & Exterior - Option #7
Depth: (>6.1250 And <=6.5000)



Je To Exterior - Option #6
Depth: (>6.0000 And <=6.1250)



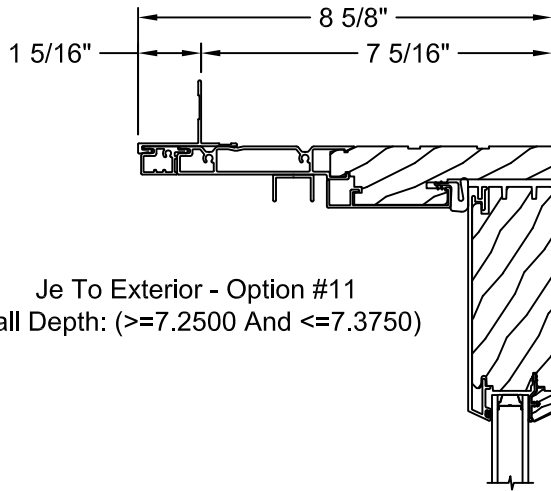
Je To Exterior - Option #8
Depth: (>=6.5000 And <=6.6250)



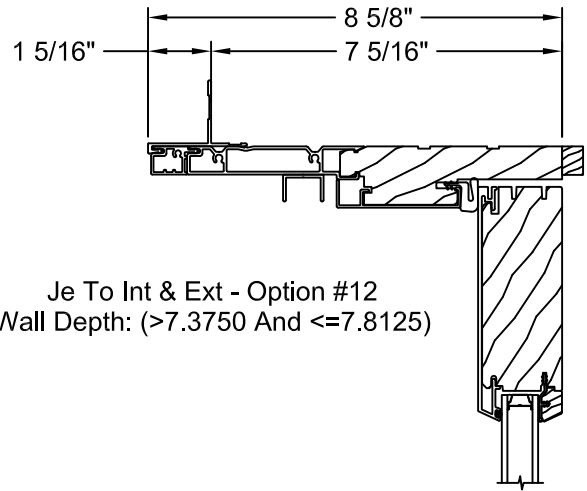
Je To Int & Ext - Option #10
Wall Depth: (>7.0625 And <7.2500)



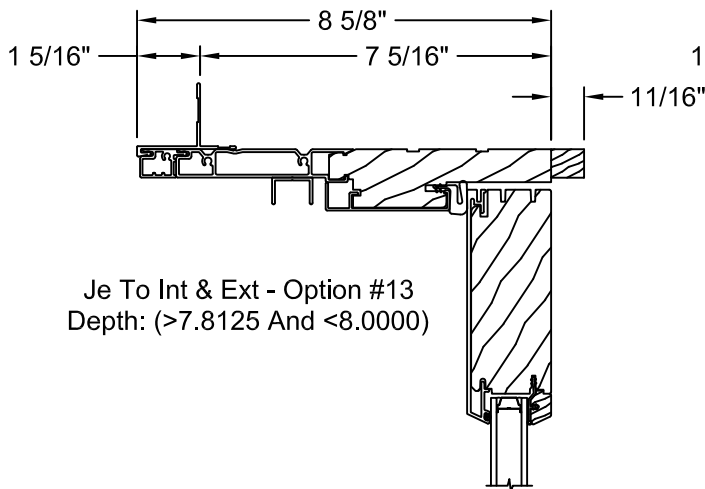
JAMB EXTENDER OPTIONS



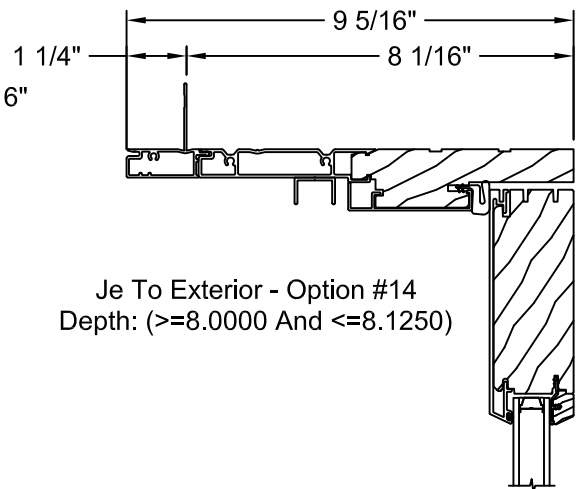
Je To Exterior - Option #11
Wall Depth: (>=7.2500 And <=7.3750)



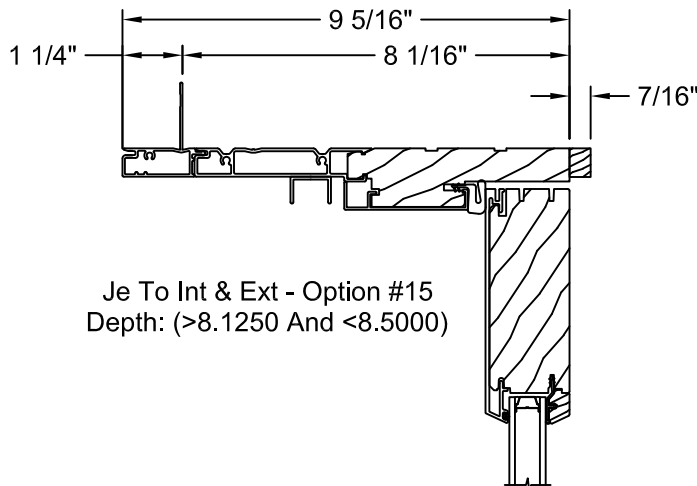
Je To Int & Ext - Option #12
Wall Depth: (>7.3750 And <=7.8125)



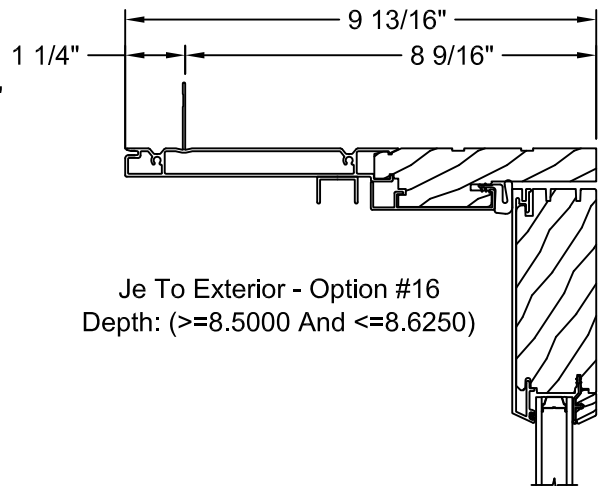
Je To Int & Ext - Option #13
Depth: (>7.8125 And <8.0000)



Je To Exterior - Option #14
Depth: (>=8.0000 And <=8.1250)



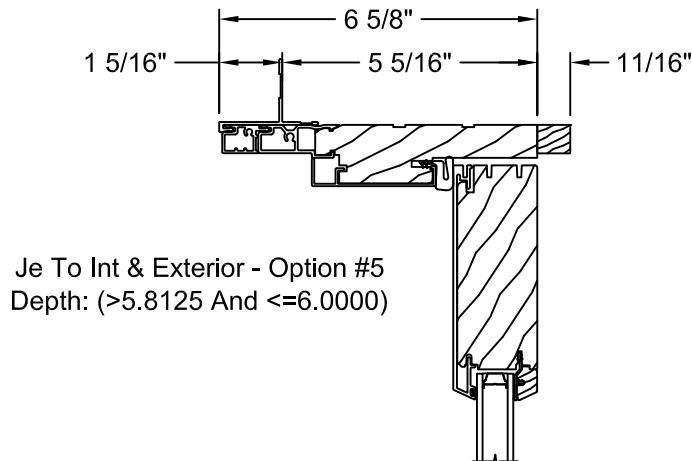
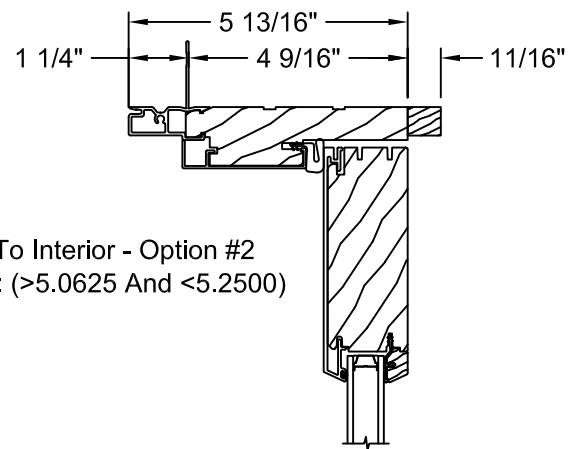
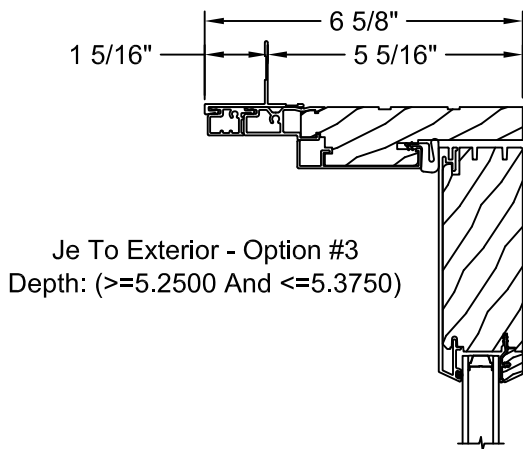
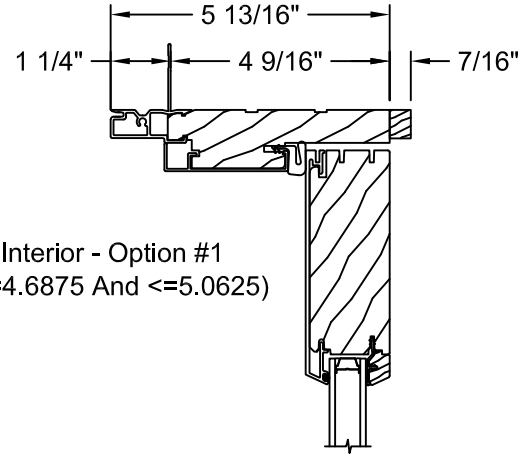
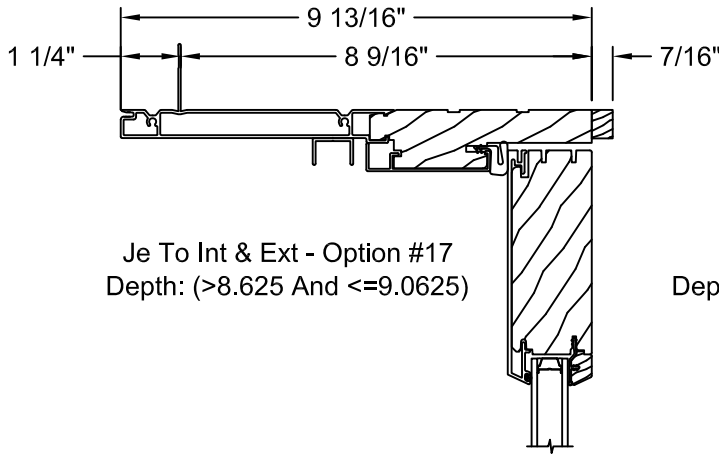
Je To Int & Ext - Option #15
Depth: (>8.1250 And <8.5000)



Je To Exterior - Option #16
Depth: (>=8.5000 And <=8.6250)

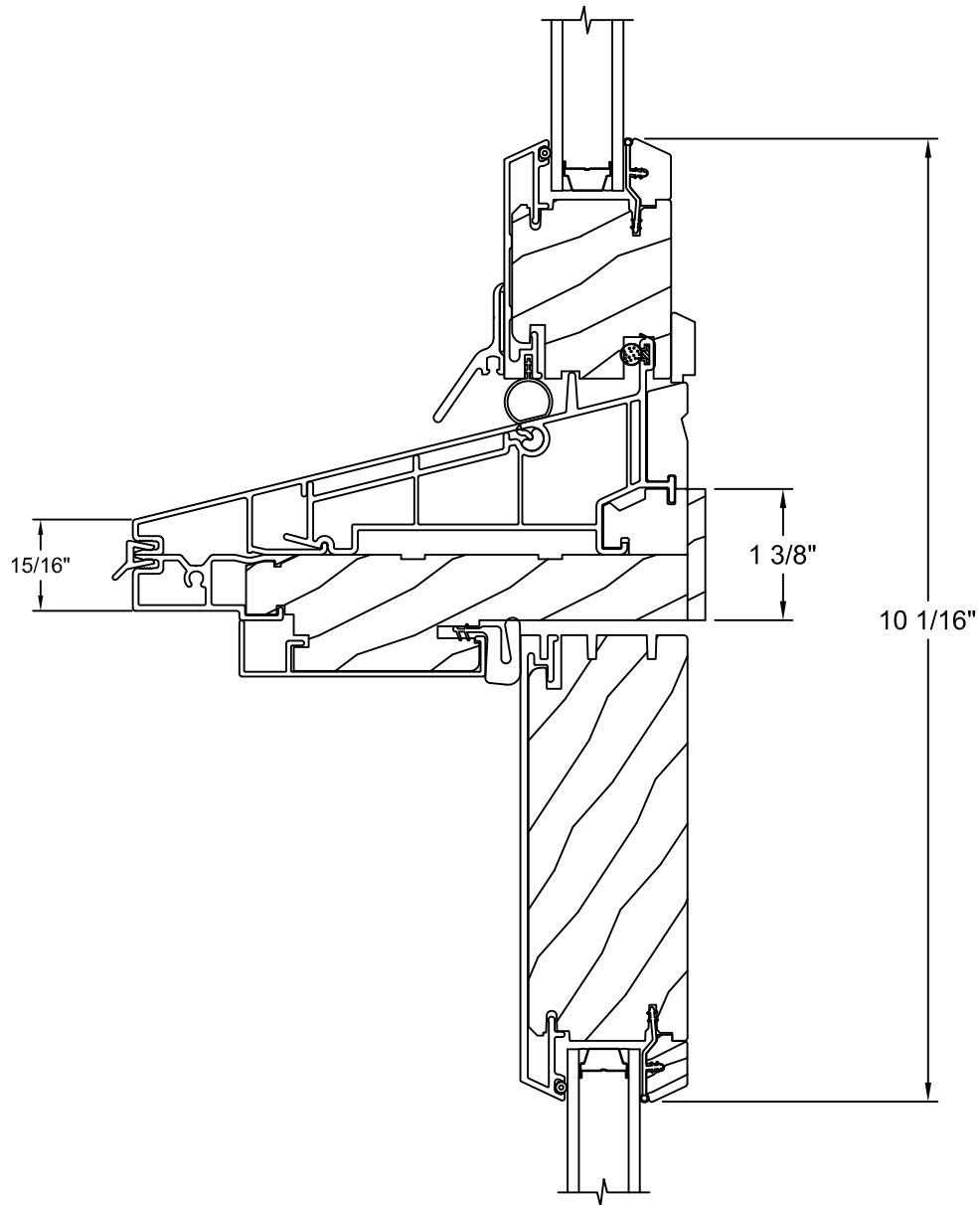


JAMB EXTENDER OPTIONS



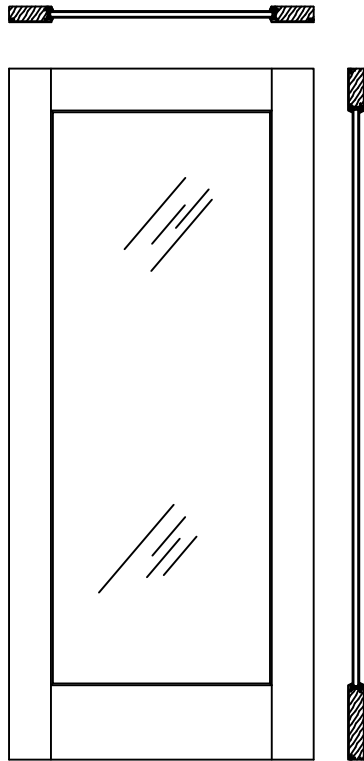


VERTICAL MULLION SECTION-TRANSOM WIDE STILE

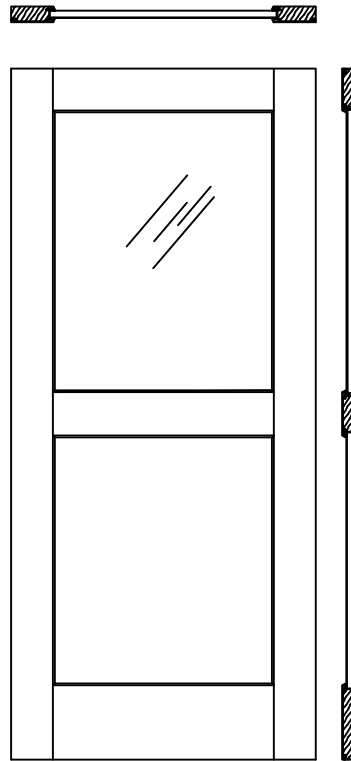


Vertical Mull Section
Transom Over Stile Unit

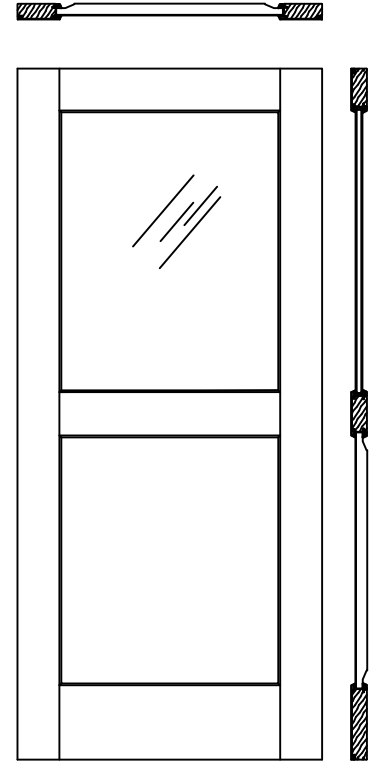
RAISED PANEL OPTIONS



Standard Glazed Panel

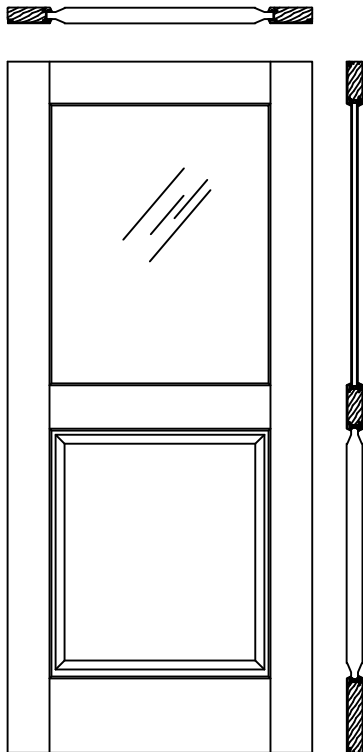


Option 1
Interior Flat Panel -
Exterior Flat Panel

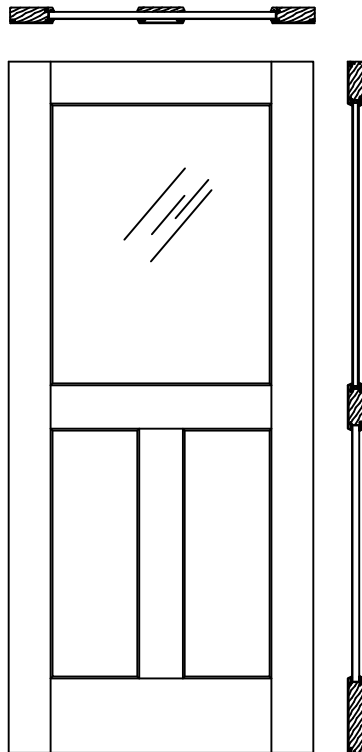


Option 2
Interior Raised Panel -
Exterior Flat Panel

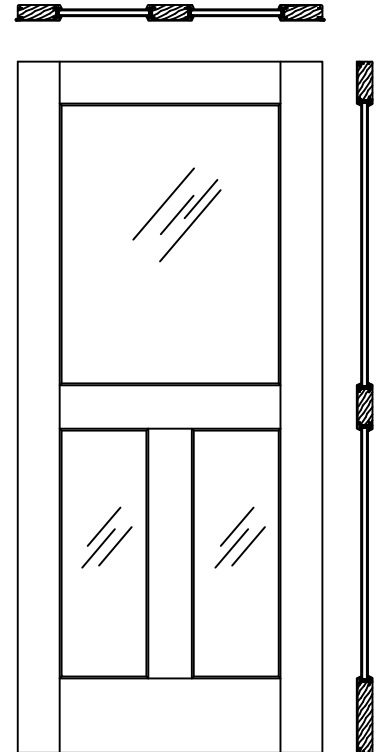
RAISED PANEL OPTIONS



Option 3
Interior Raised Panel -
Exterior Raised Panel



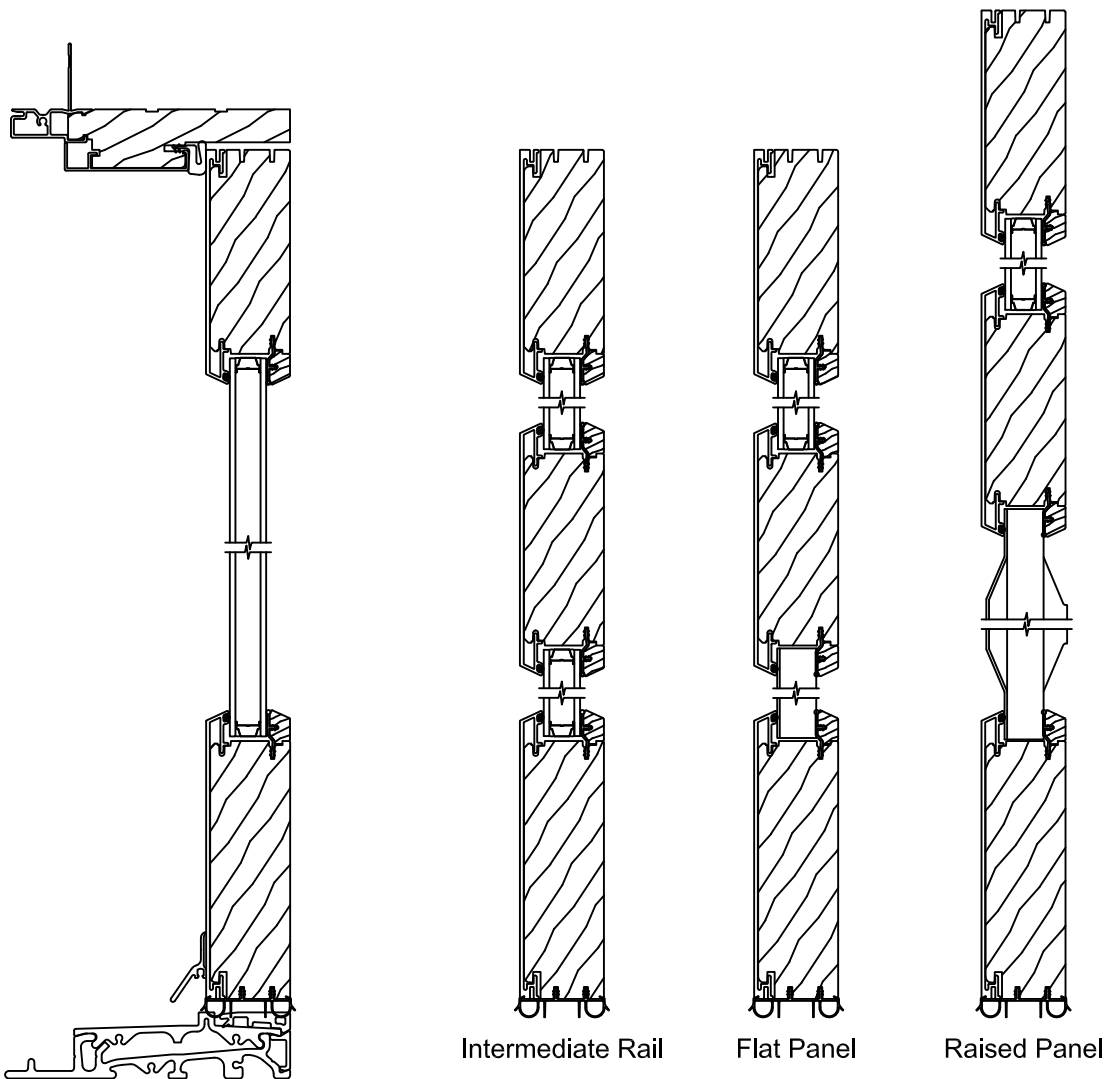
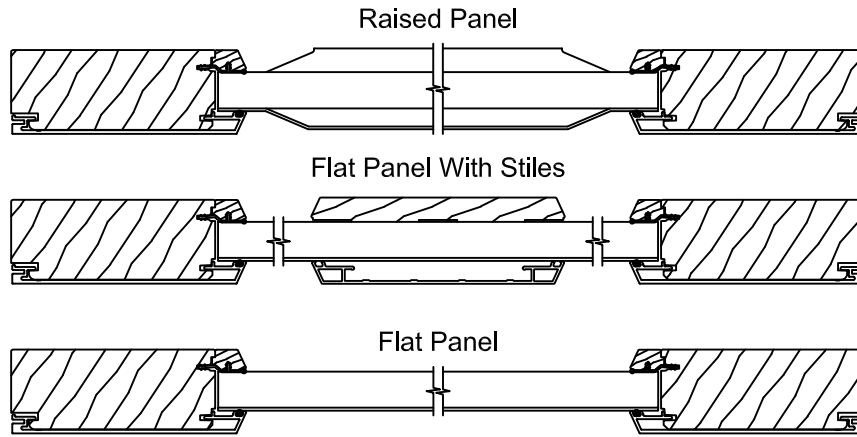
Option 4
Interior & Exterior
Flat Panel



Option 5
Intermediate Meeting Stile
With Ig Glazing
Glass Above/below

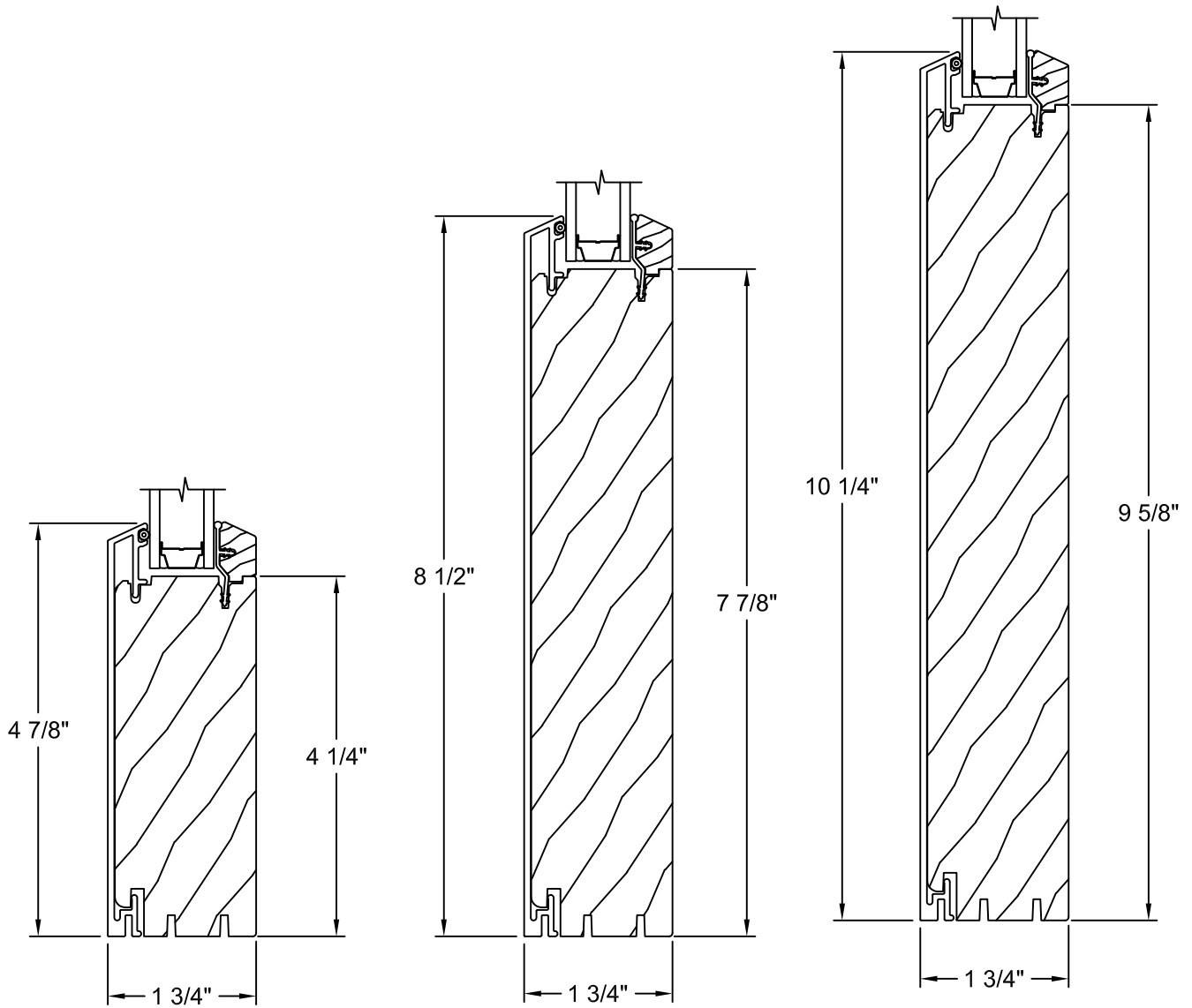


RAISED PANEL OPTIONS





BOTTOM RAIL OPTIONS



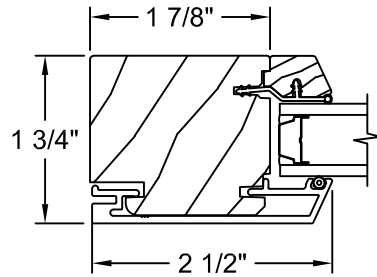
4 7/8" Bottom Rail

8 1/2" Bottom Rail

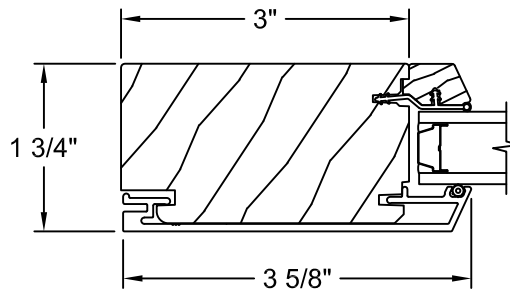
10 1/4" Bottom Rail



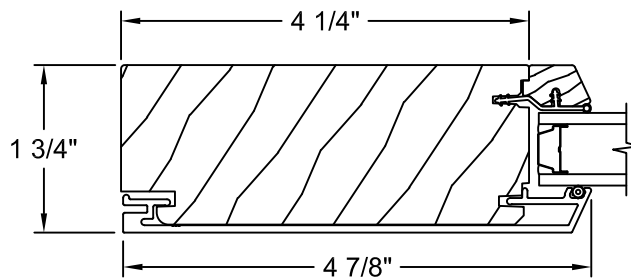
STILE OPTIONS



Sidelite Stile



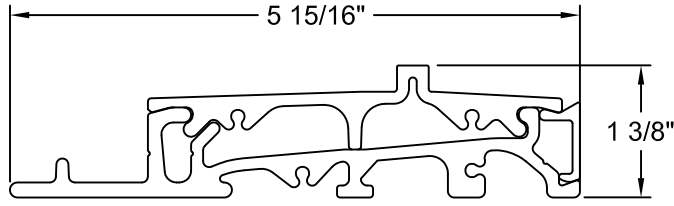
Narrow Stile



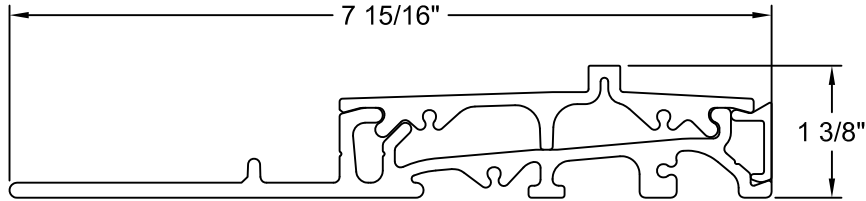
Wide Stile



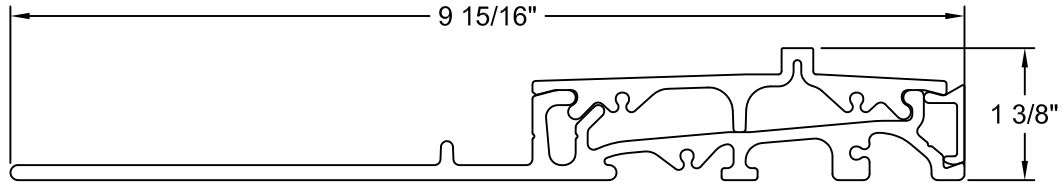
SILL OPTIONS



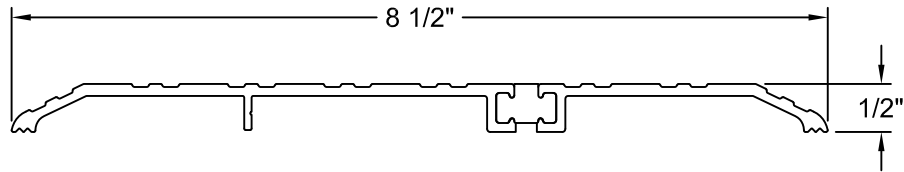
4 9/16" Sill



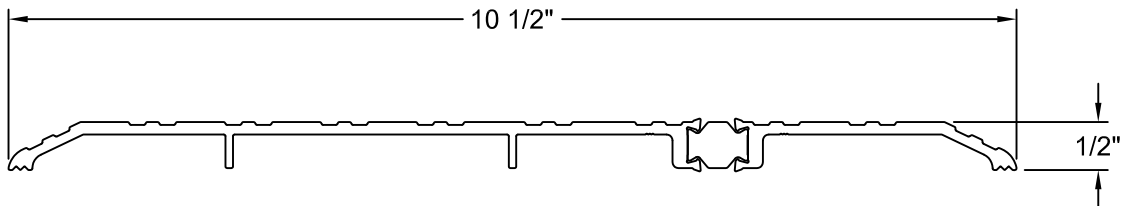
6 9/16" Sill



8 9/16" Sill



8 1/2" Ada Sill



10 1/2" Ada Sill

Note:

Jambs greater than or equal to 4 9/16" and less than 5 1/4" use 8 1/2" ADA sill.

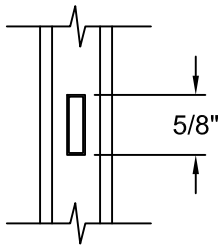
Jambs greater than or equal to 5 1/4" and less than 7 1/4" use 10 1/2" ADA sill.

Maximum jamb size with ADA sill is 7 3/16"

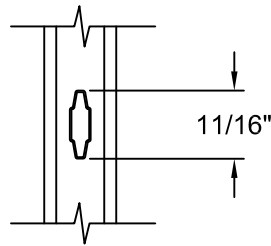


GBG/SURROUND OPTIONS

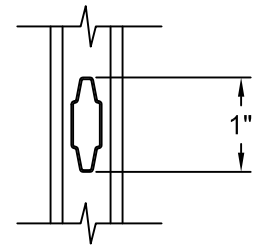
Exterior ← → Interior



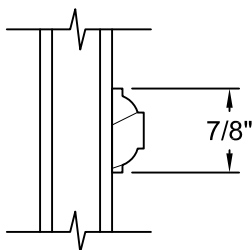
5/8" GBG



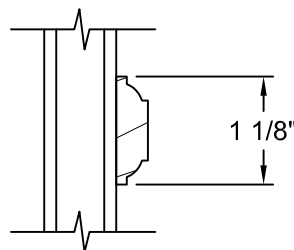
23/32" Contour
GBG



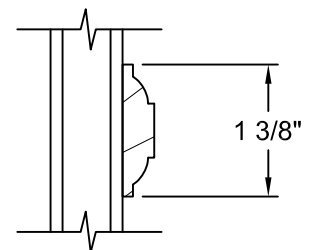
1" Contour
GBG



Full Surround
7/8" Wood
Grille



Full Surround
1 1/8" Wood
Grille

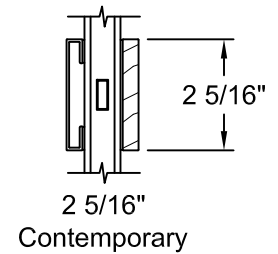
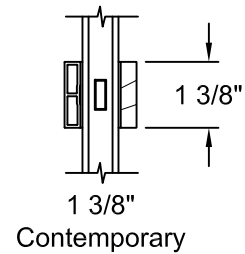
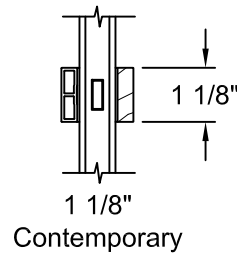
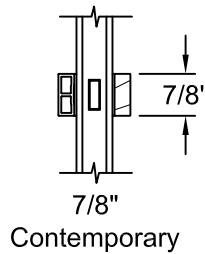
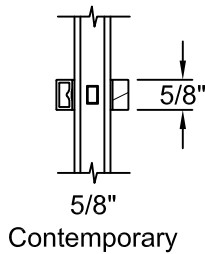
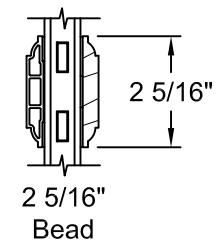
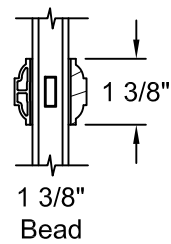
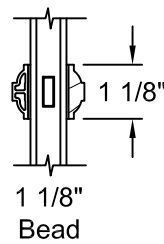
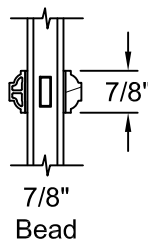
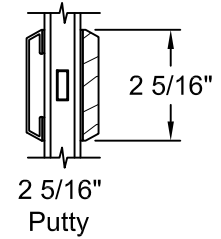
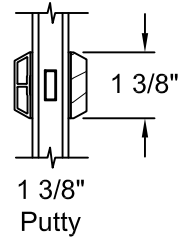
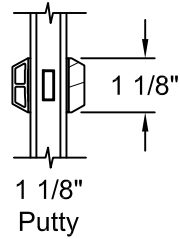
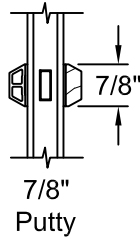
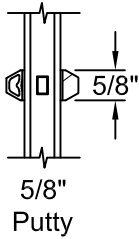


Full Surround
1 3/8" Wood
Grille



SDL OPTIONS

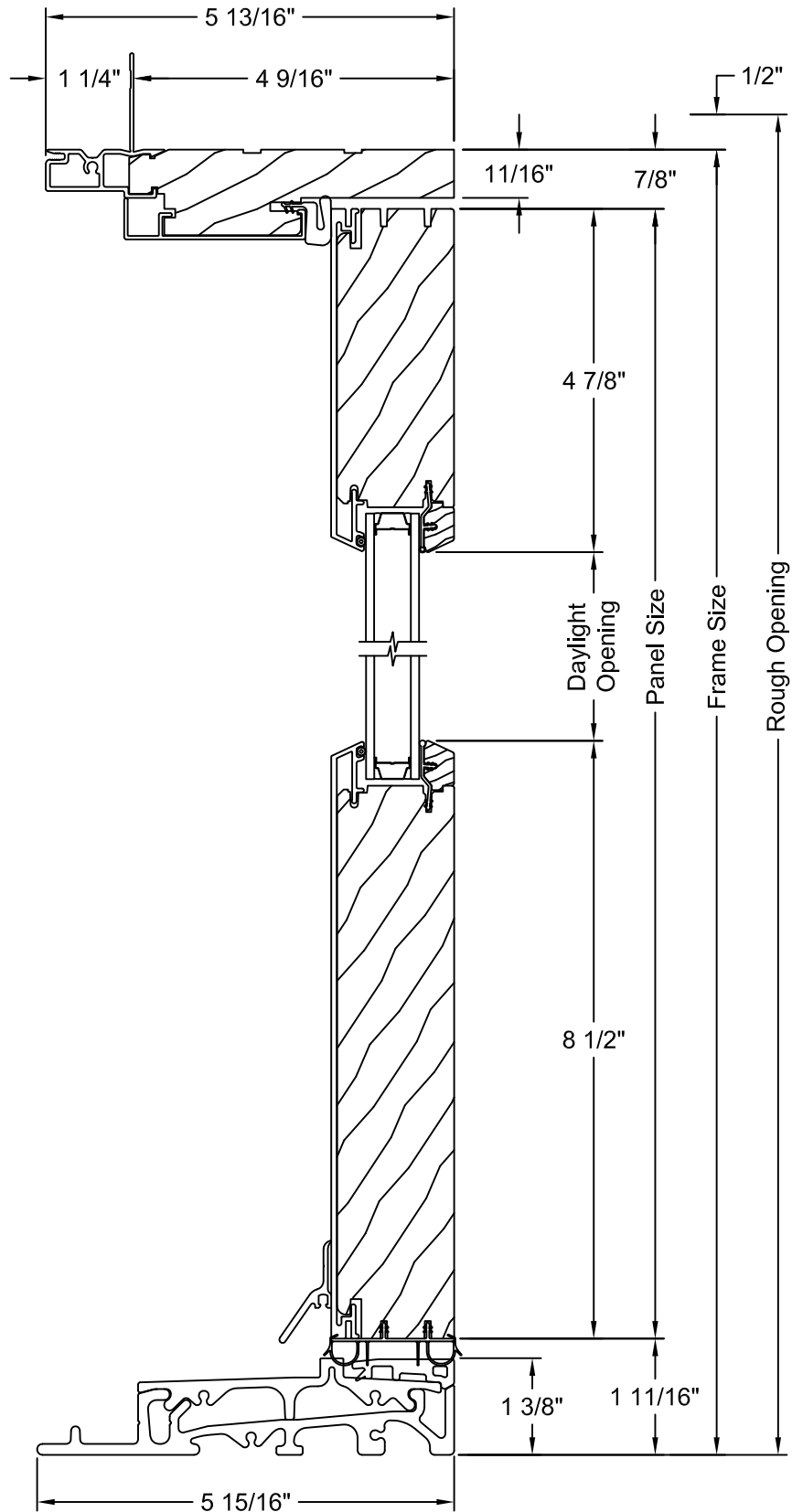
Exterior ← → Interior



NOTE: Various Combinations of the SDL Bars Shown are Available

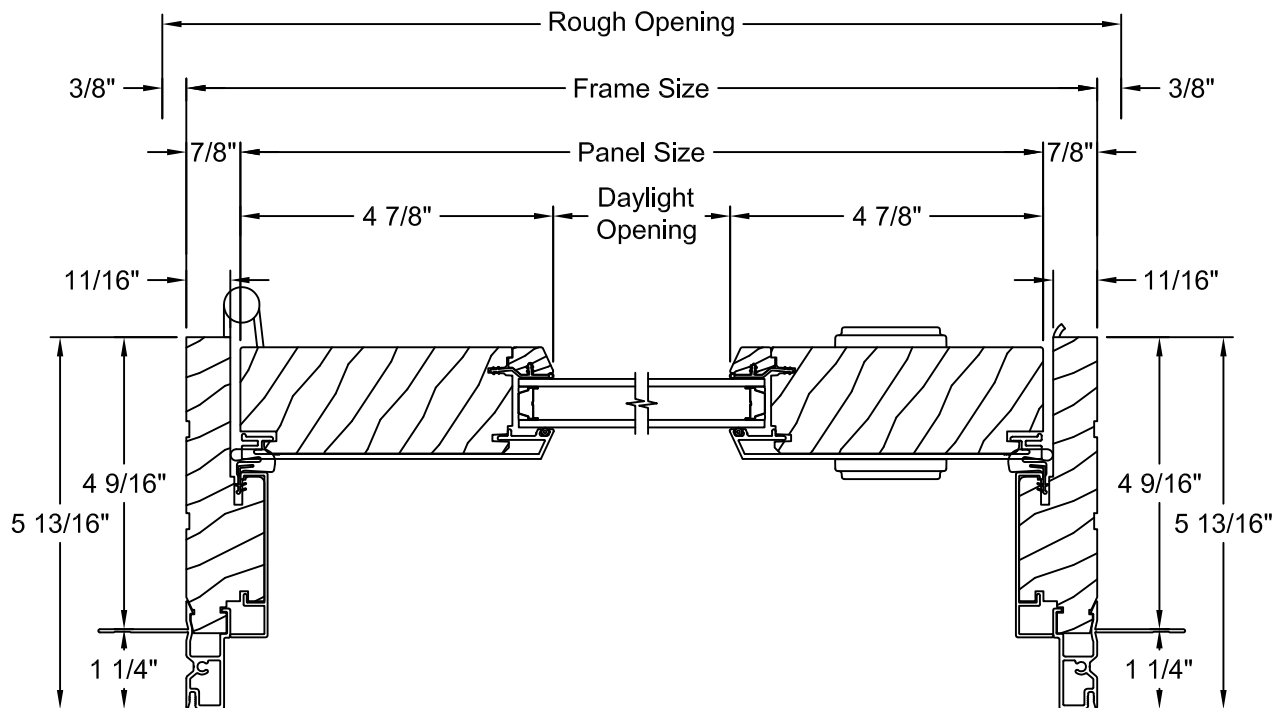


OPERATING - VERTICAL SECTION



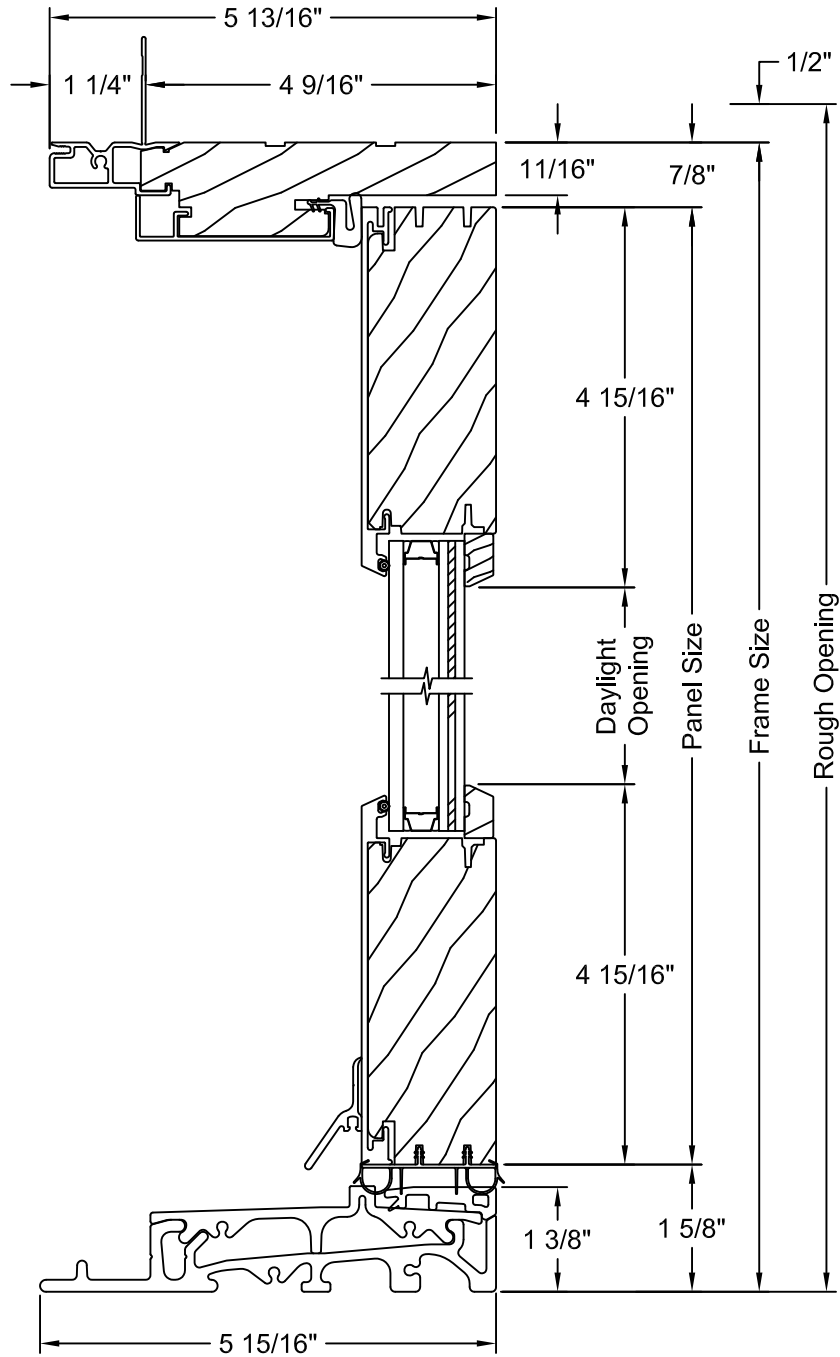


OPERATING - HORIZONTAL SECTION



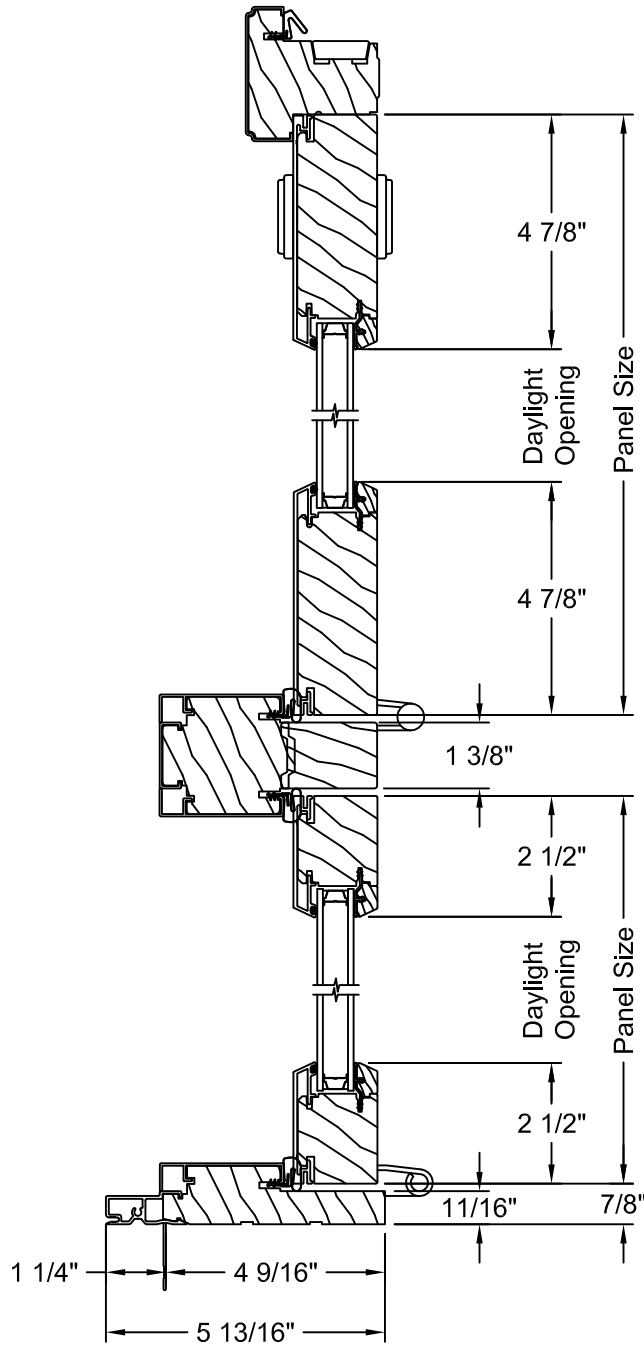


OPERATING IMPACT - VERTICAL SECTION



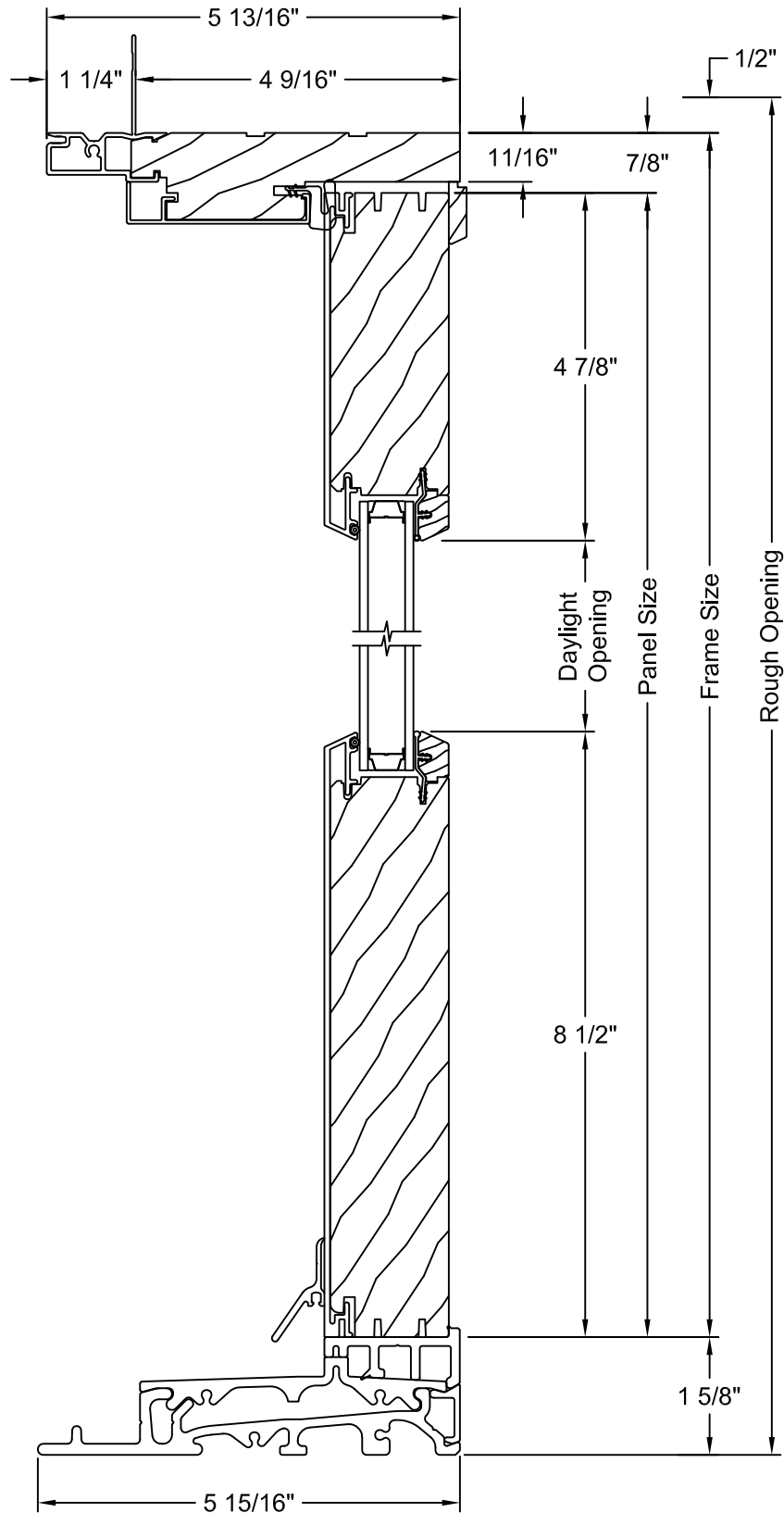


OPERATING QUAD - HORIZONTAL SECTION



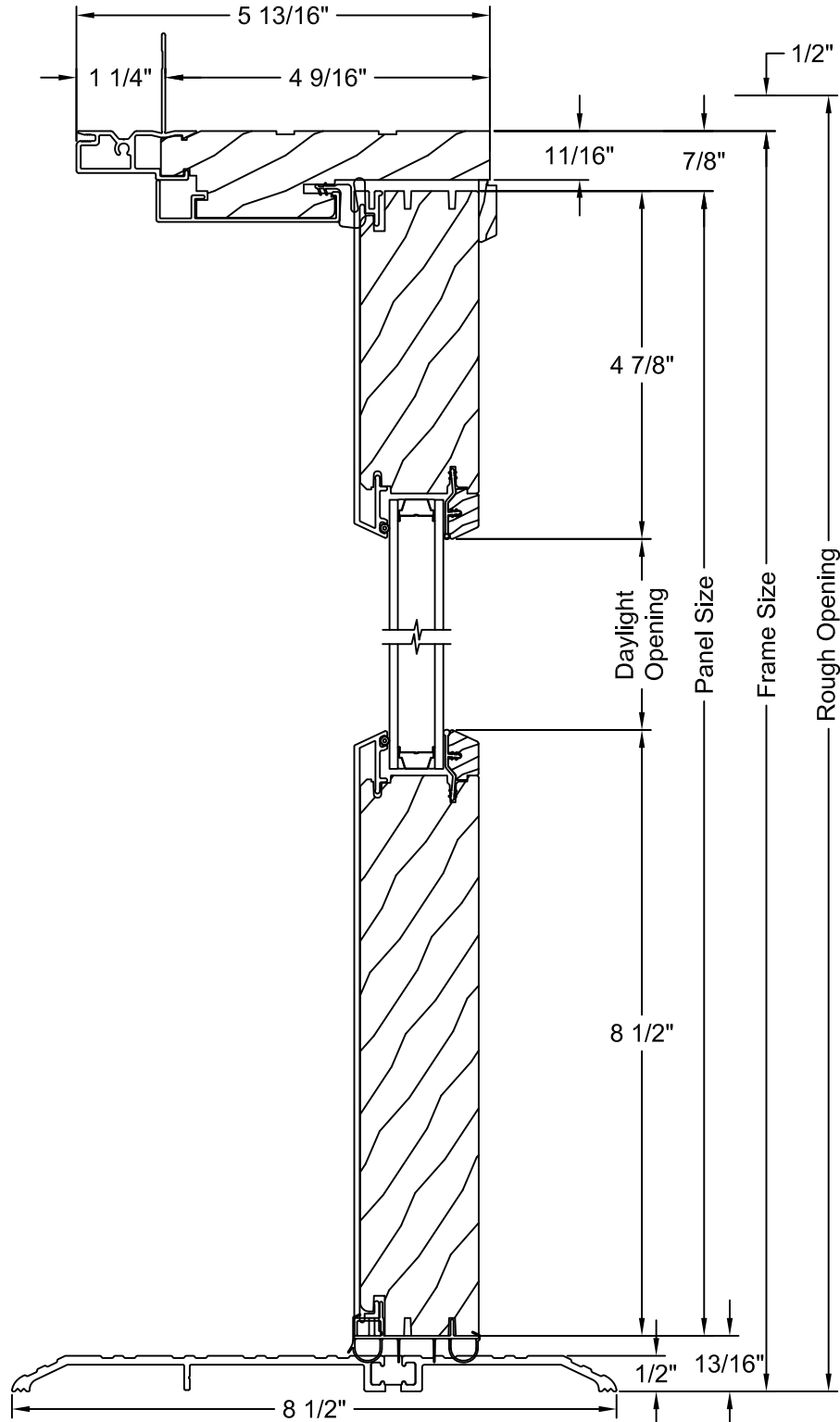


FIXED - VERTICAL SECTION



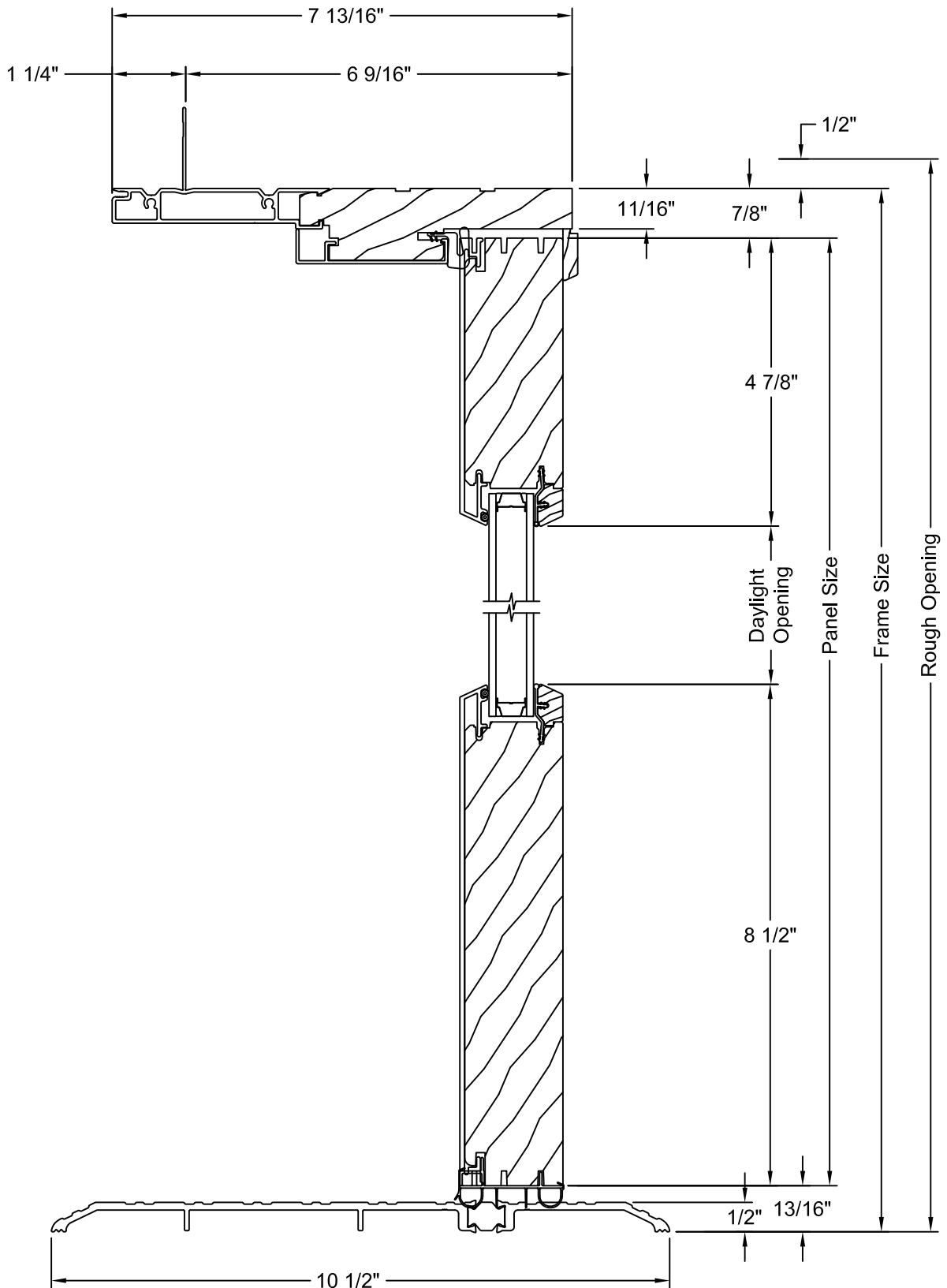


FIXED 4 9/16" FRAME W/ ADA SILL - VERTICAL SECTION



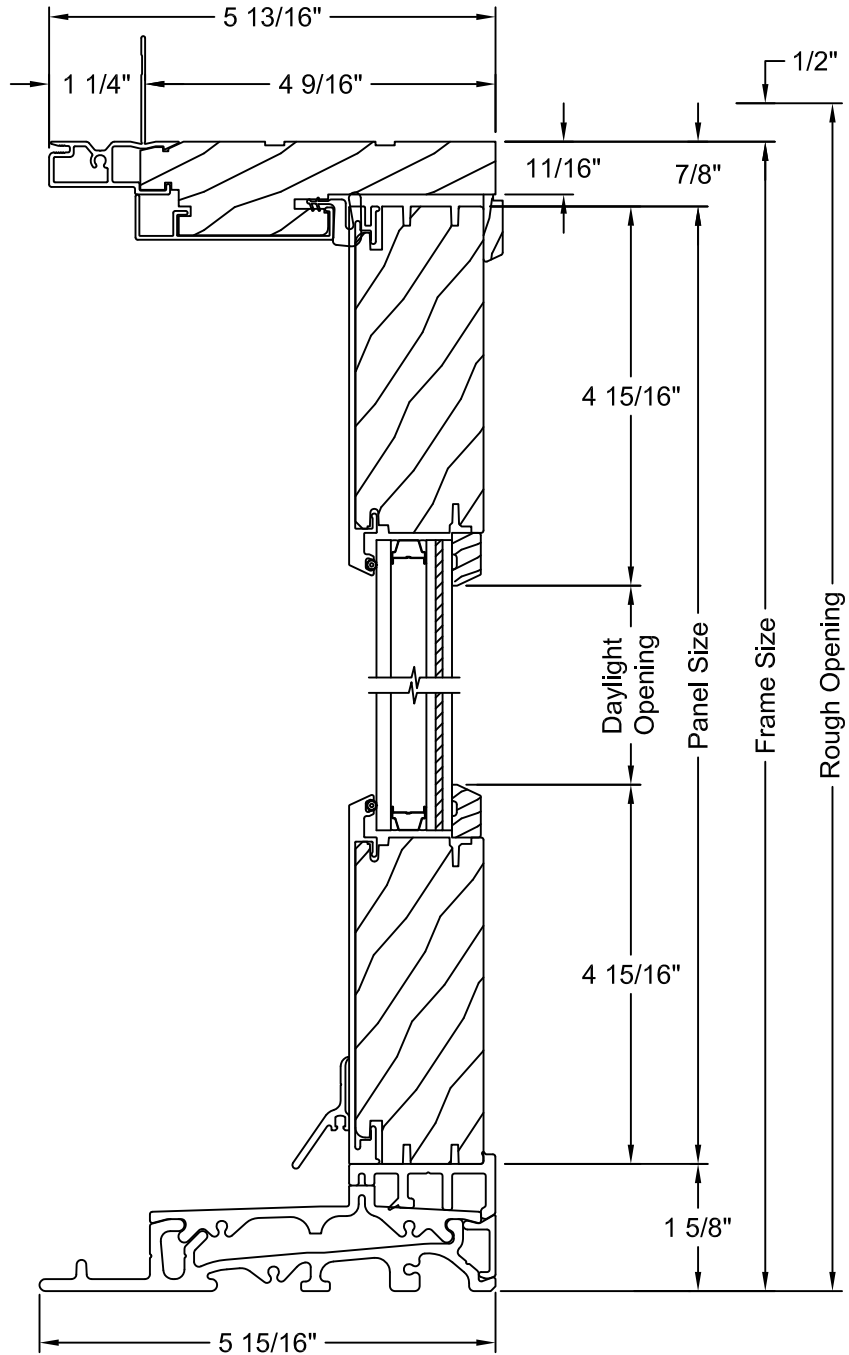


FIXED 6 9/16" FRAME W/ ADA SILL - VERTICAL SECTION



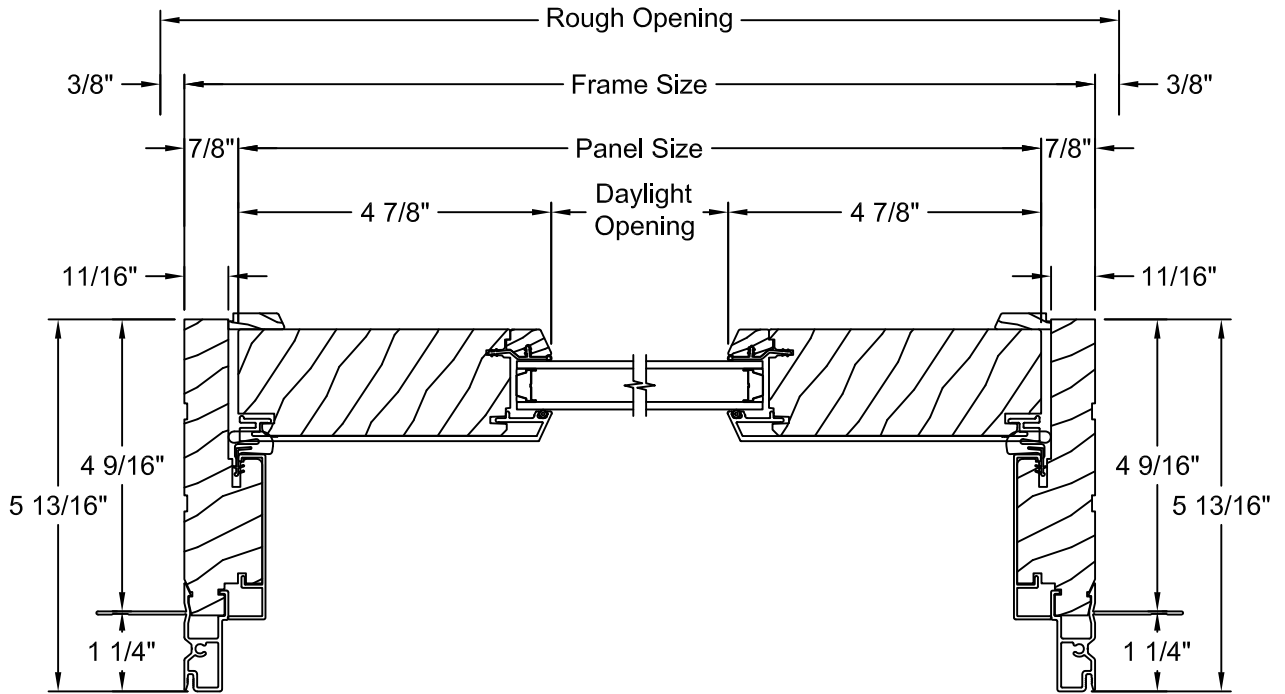


FIXED IMPACT - VERTICAL SECTION



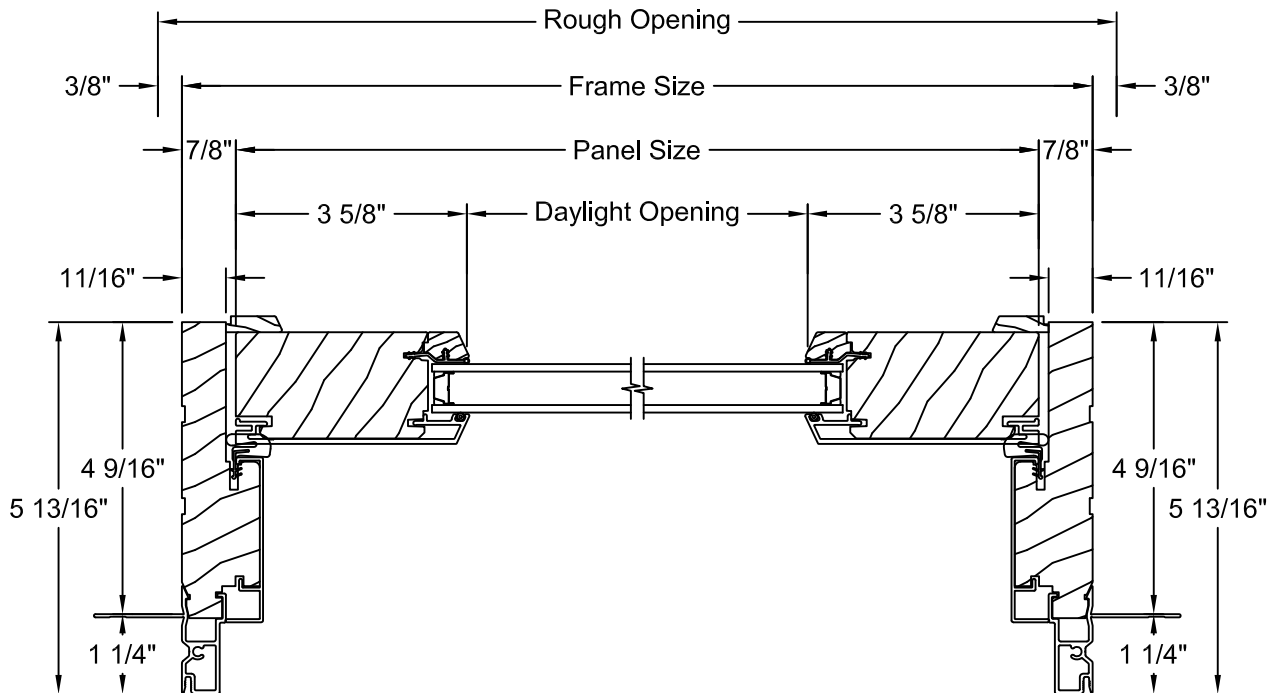


FIXED WIDE STILE - HORIZONTAL SECTION



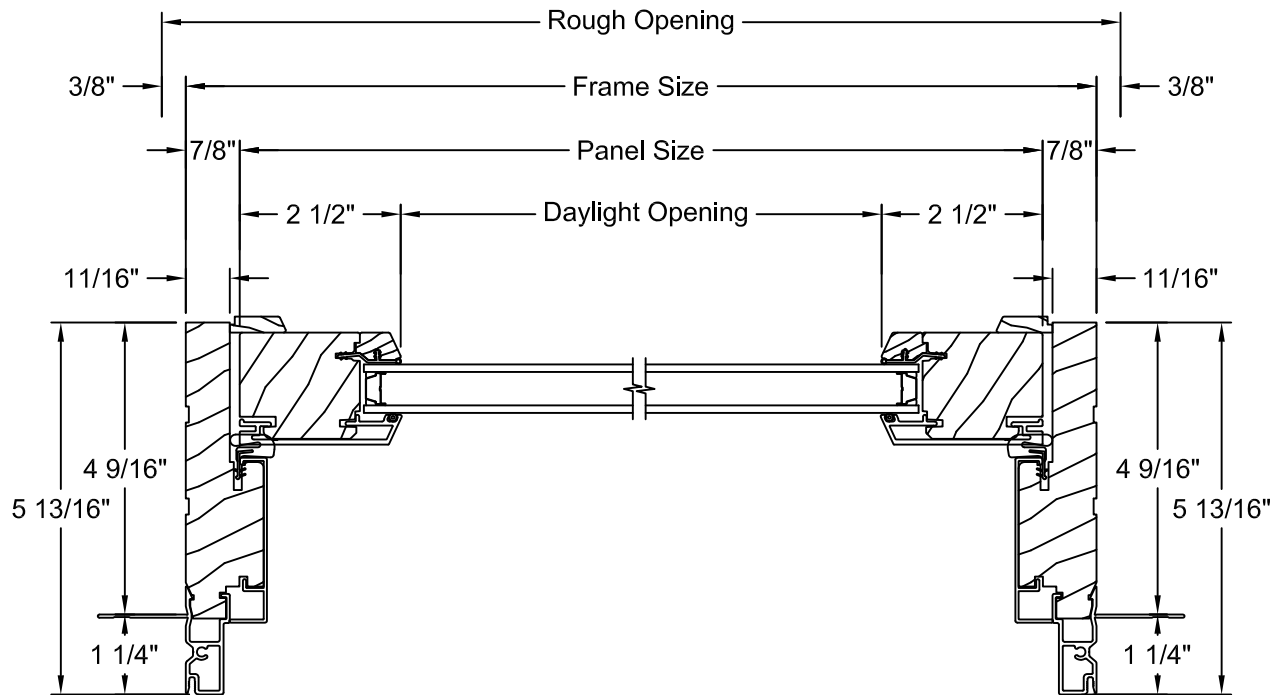


FIXED NARROW STILE - HORIZONTAL SECTION



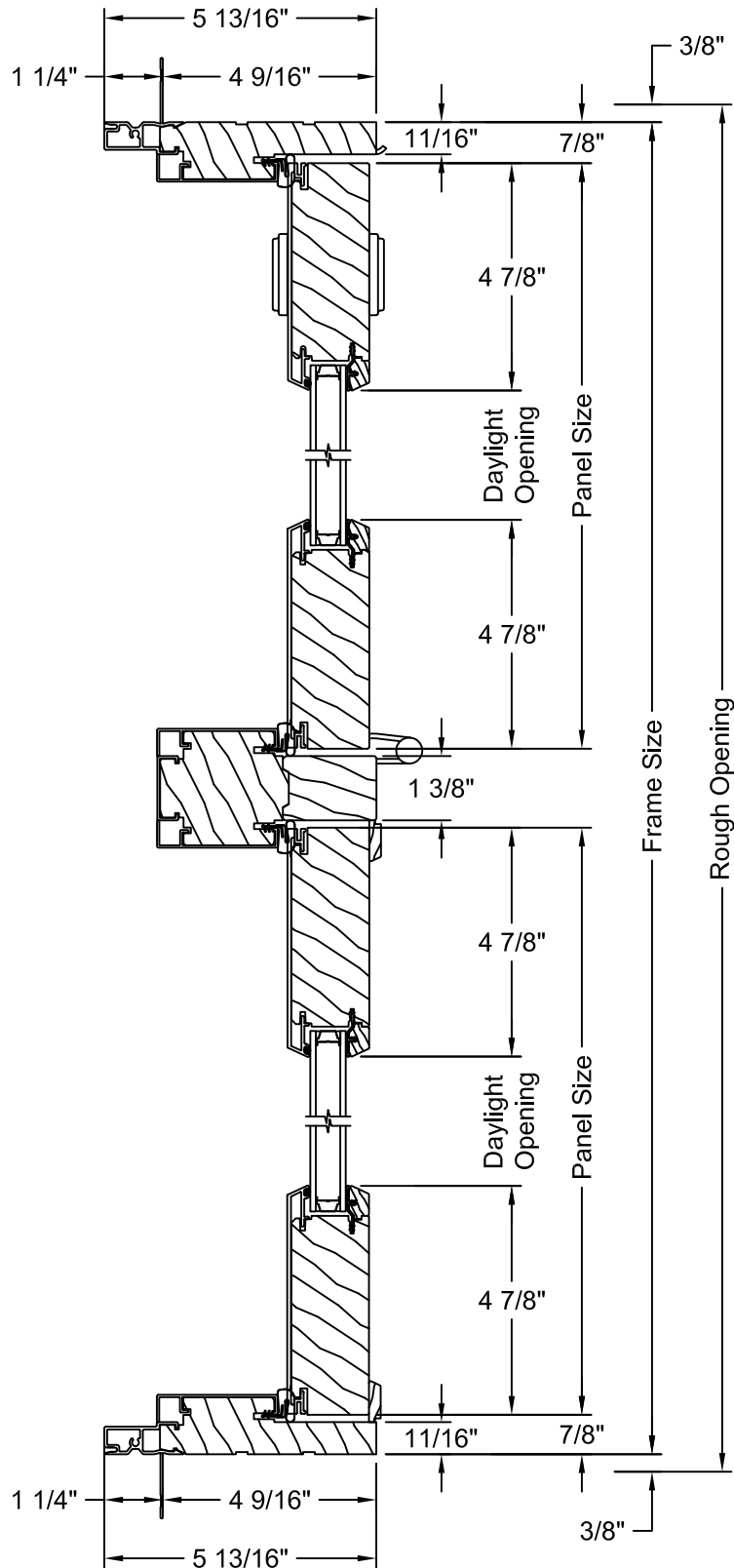


FIXED SIDELITE STILE - HORIZONTAL SECTION



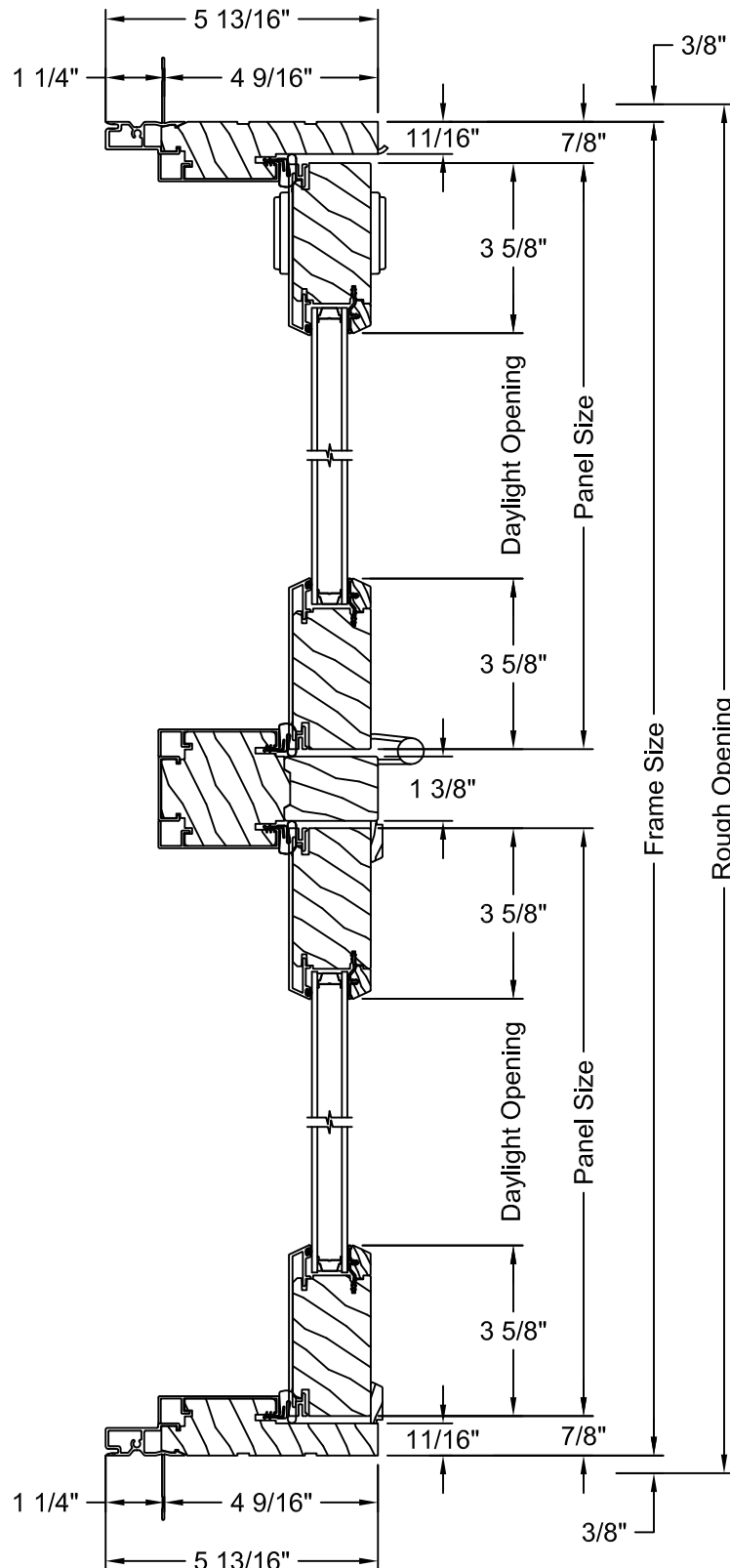


FIXED 2 PANEL WIDE STILE - HORIZONTAL SECTION W/ CENTER HINGED



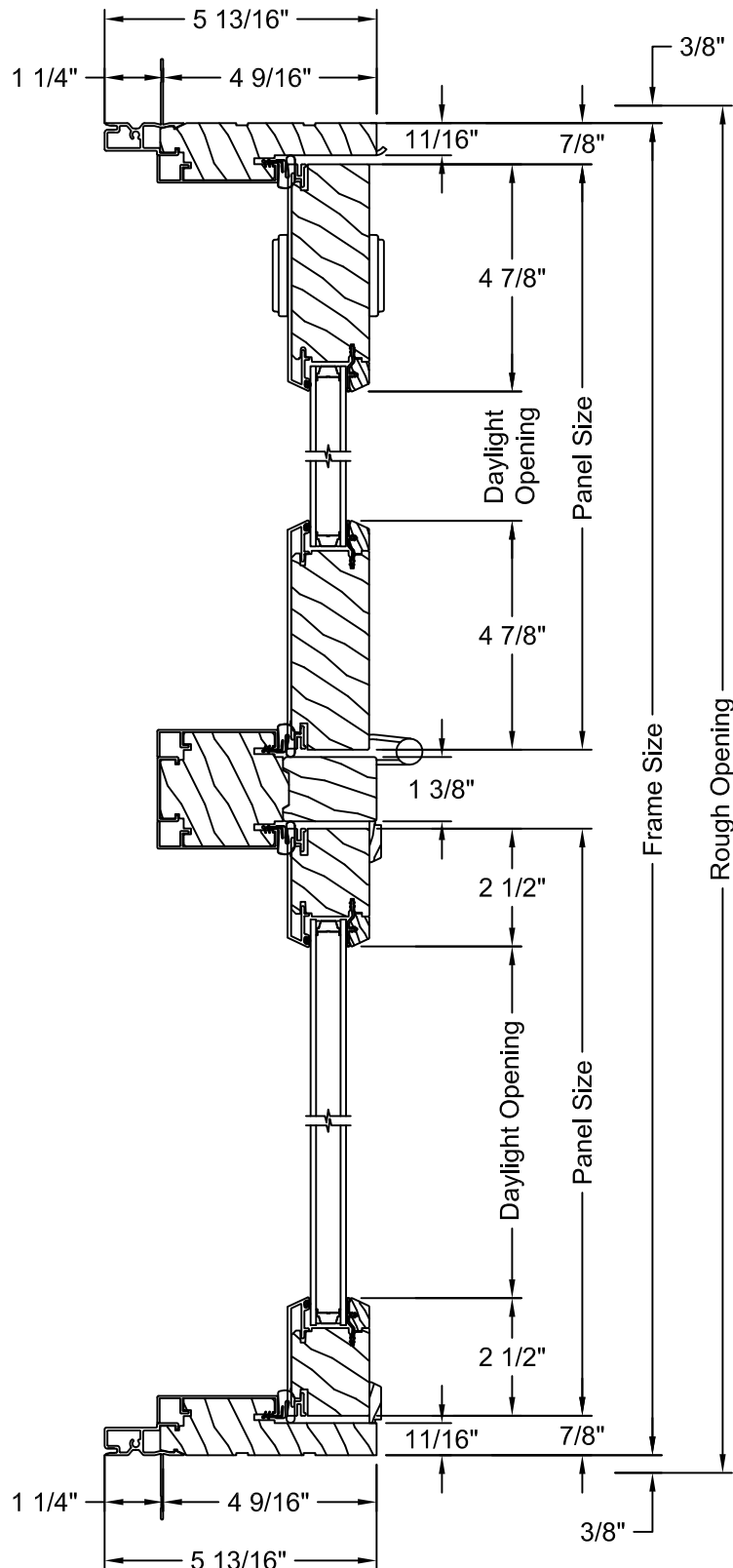


FIXED 2 PANEL NARROW STILE - HORIZONTAL SECTION w/ CENTER HINGED



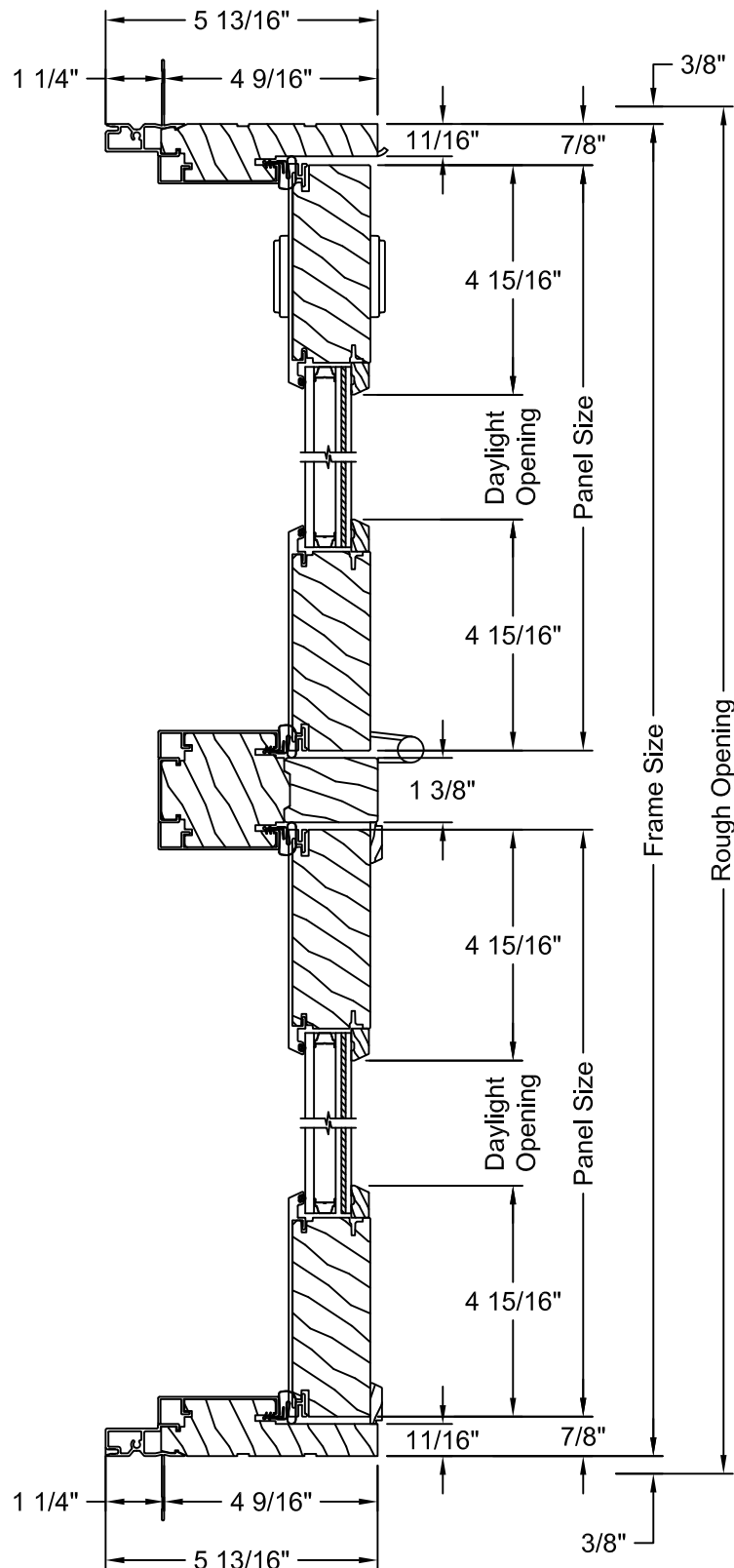


FIXED 2 PANEL SIDELITE STILE - HORIZONTAL SECTION w/ CENTER HINGED



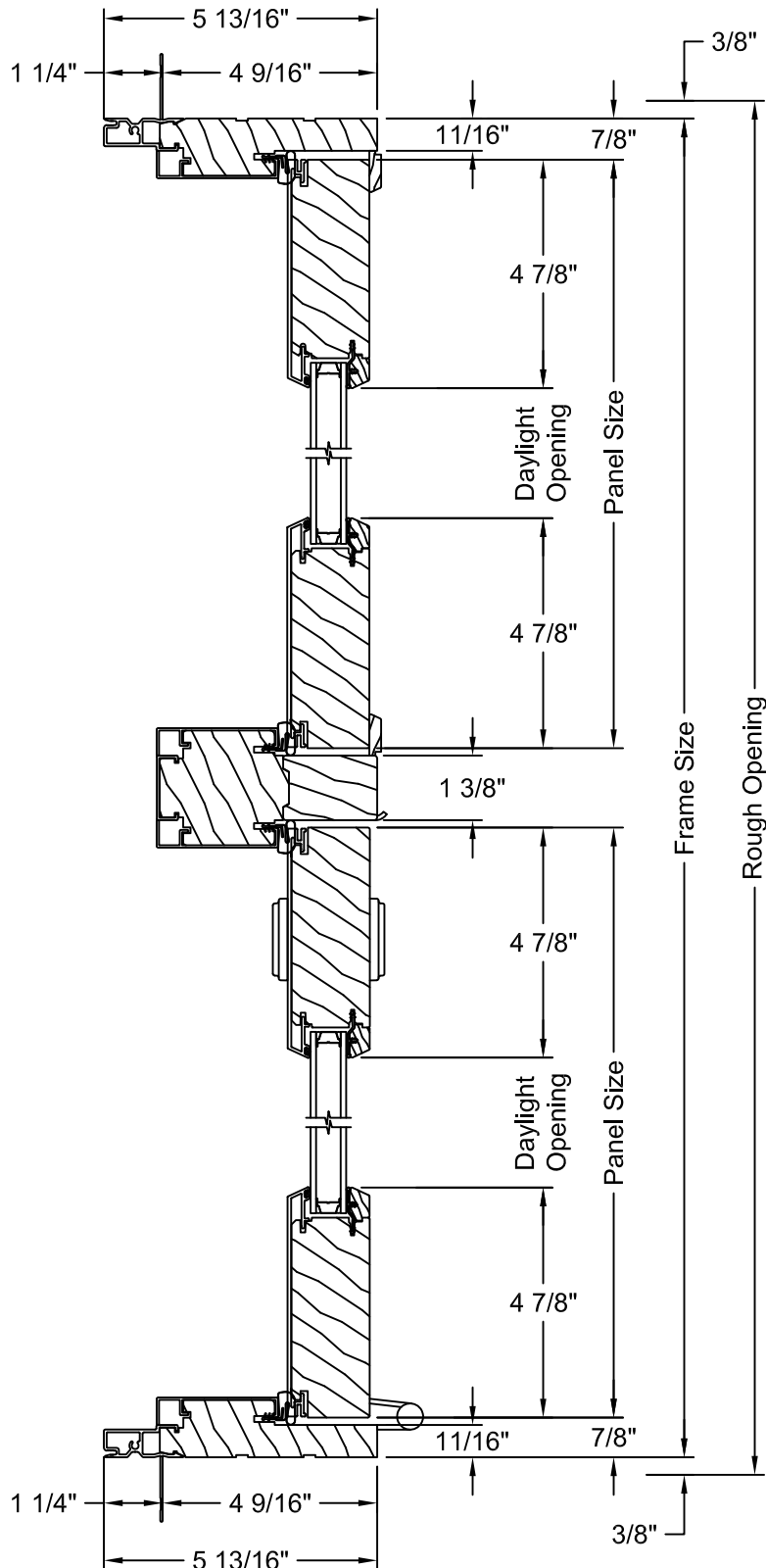


FIXED 2 PANEL IMPACT WIDE STILE - HORIZONTAL SECTION w/ CENTER HINGED



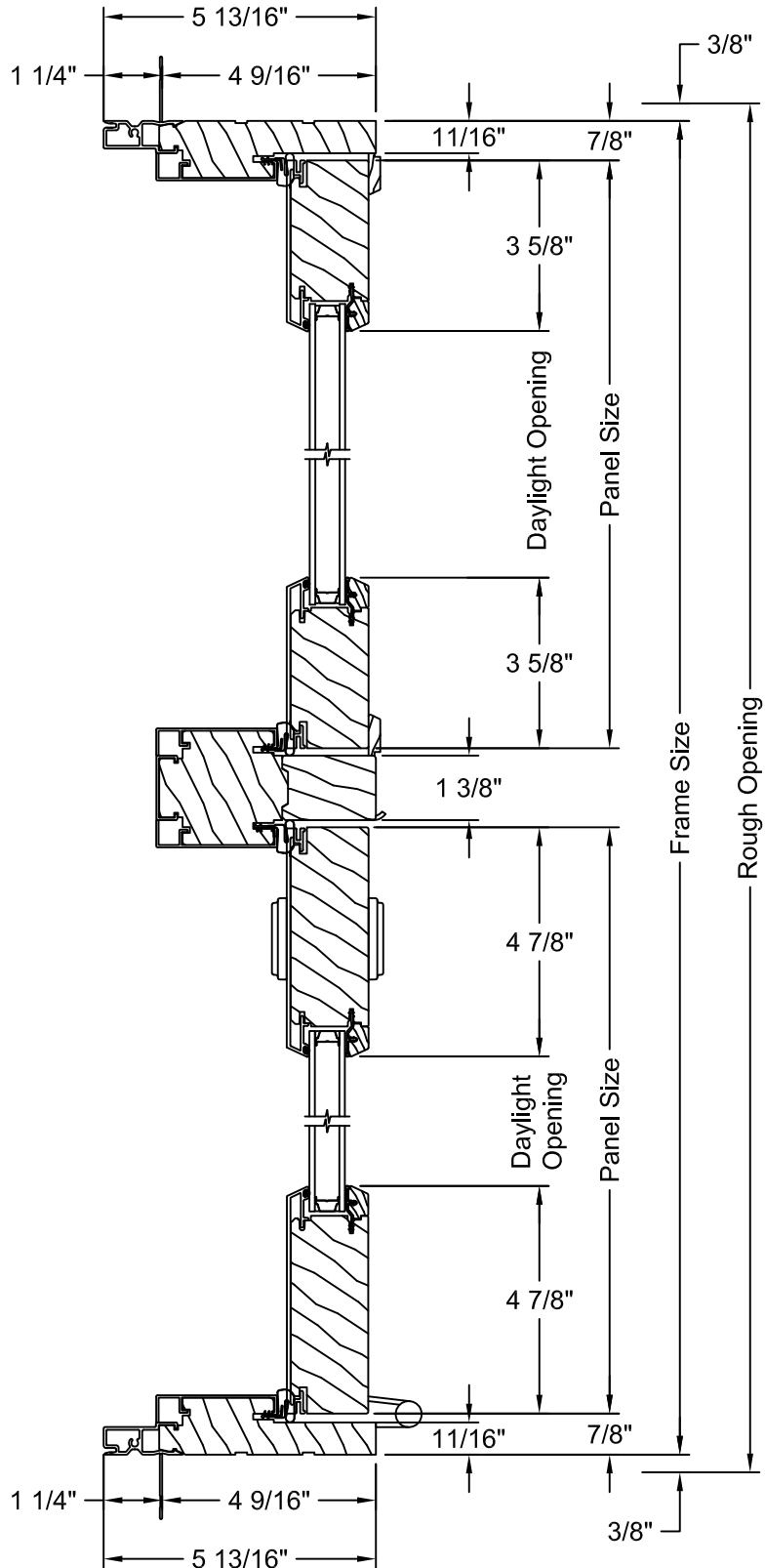


FIXED 2 PANEL WIDE STILE - HORIZONTAL SECTION w/ SIDE HINGED



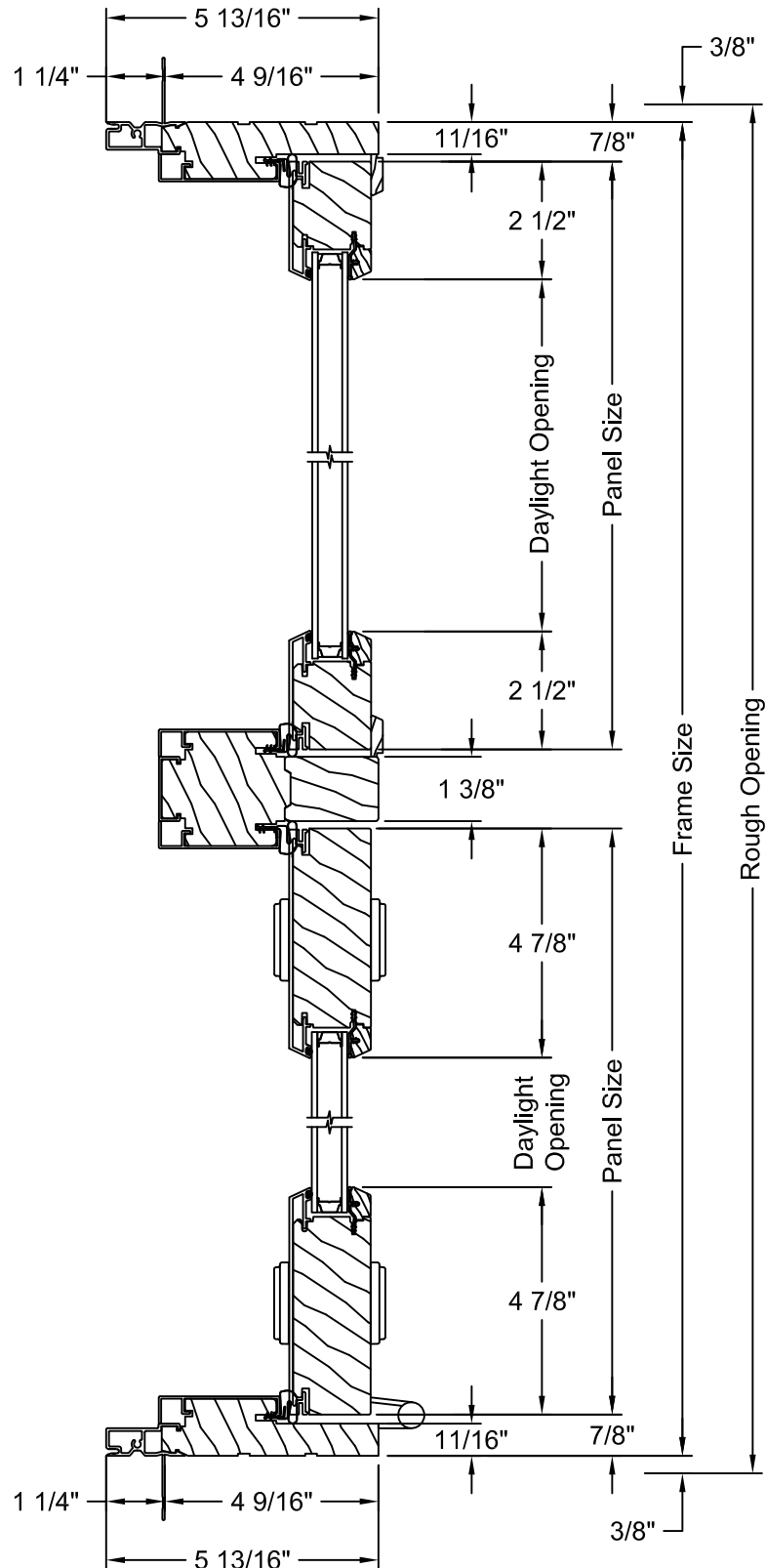


FIXED 2 PANEL NARROW STILE - HORIZONTAL SECTION w/ SIDE HINGED



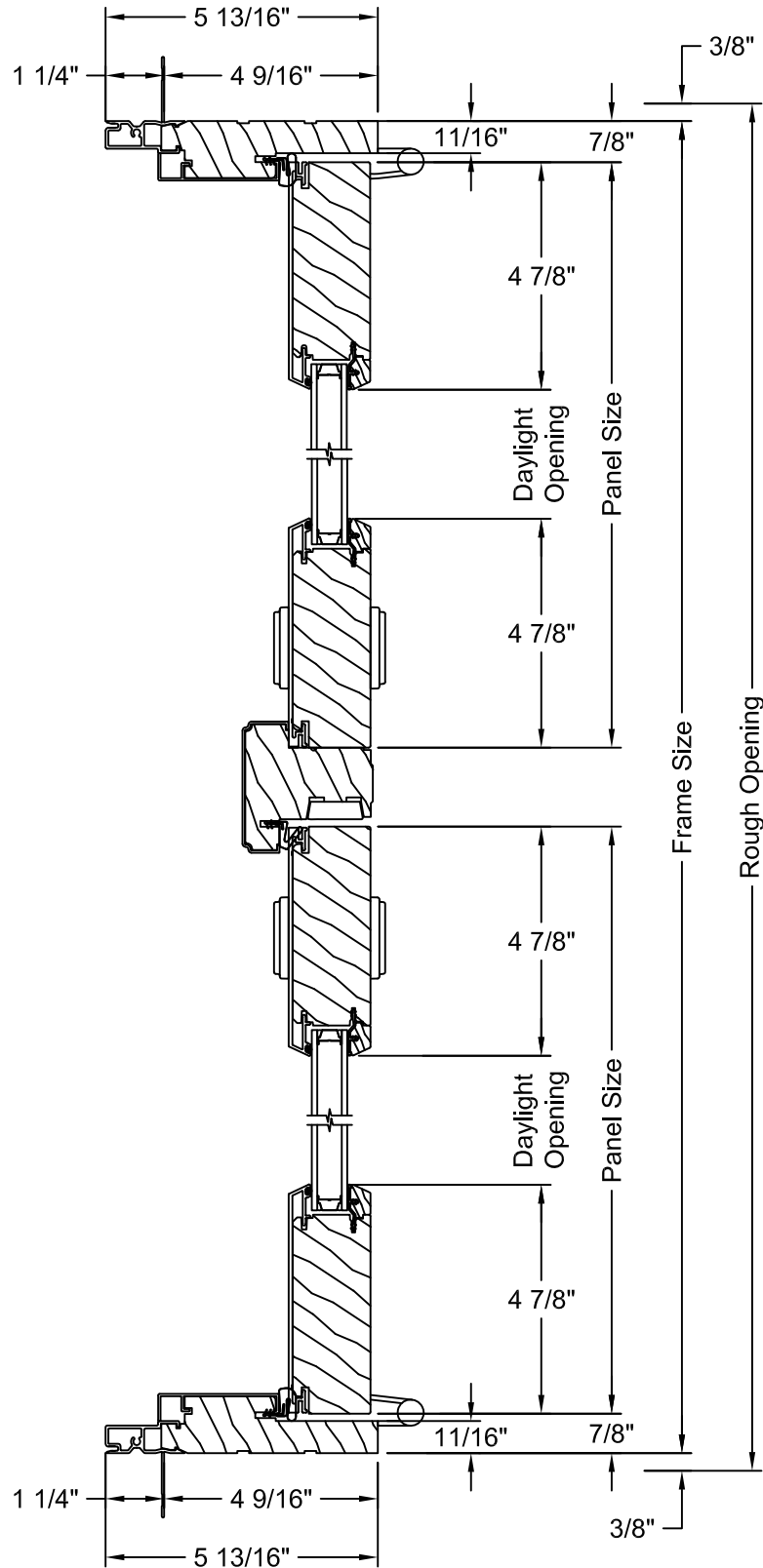


FIXED 2 PANEL SIDELITE STILE - HORIZONTAL SECTION w/ SIDE HINGED



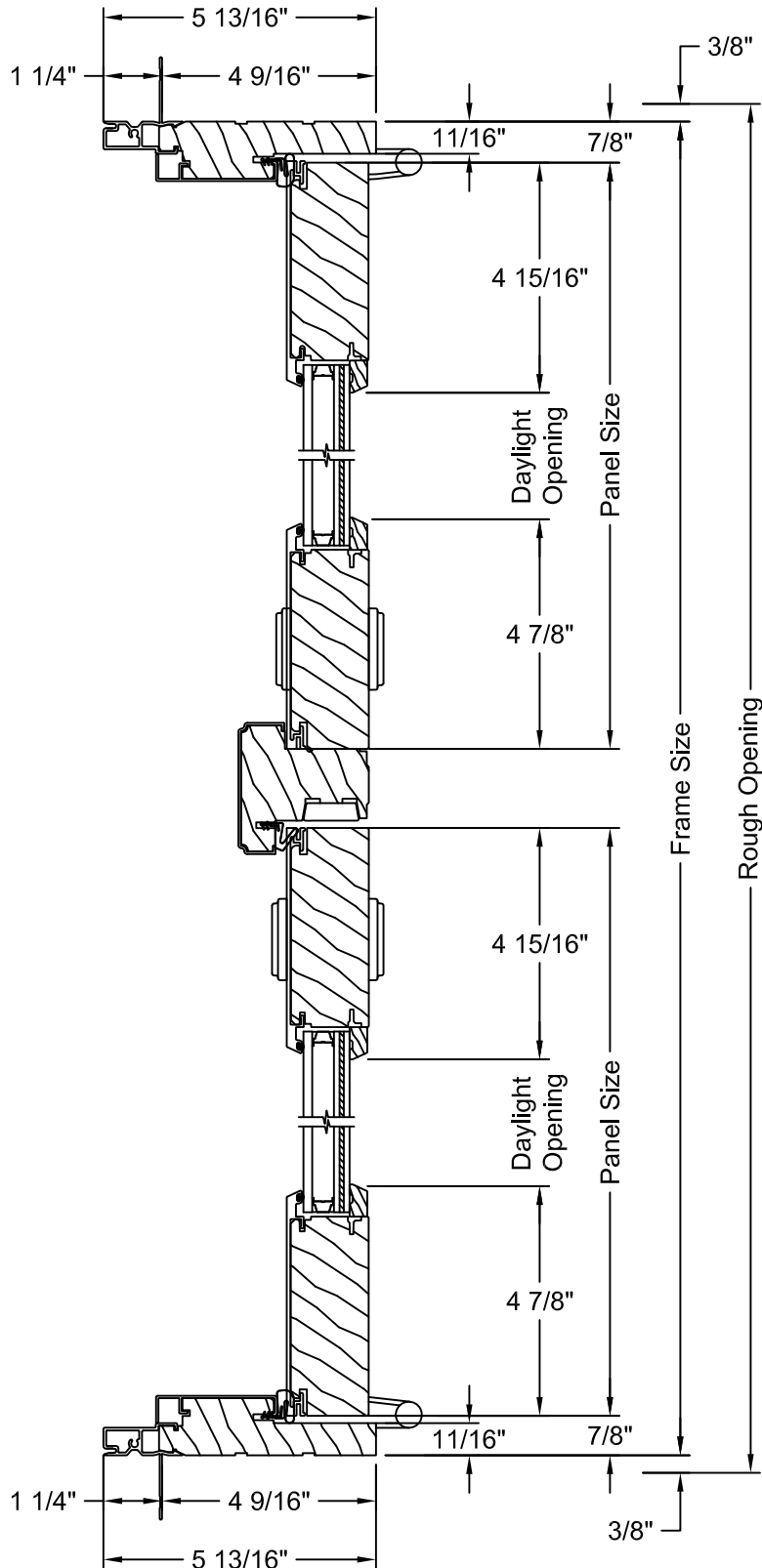


FRENCH - HORIZONTAL SECTION



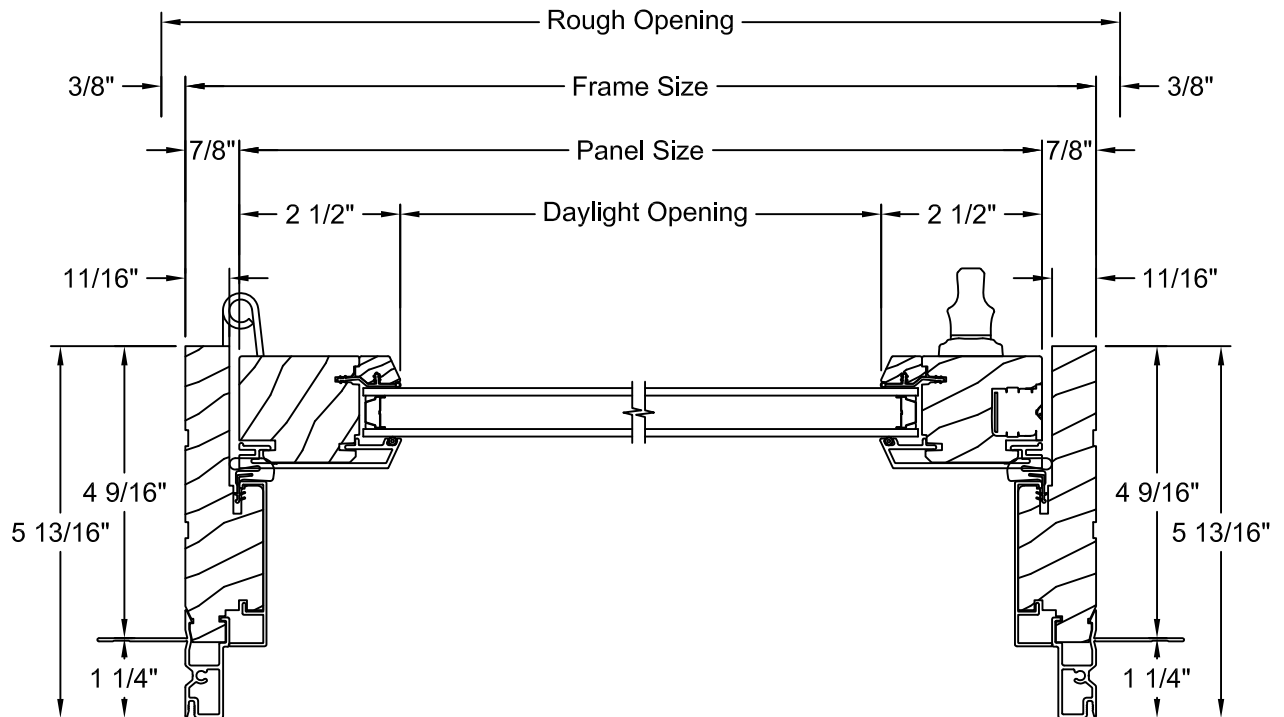


FRENCH IMPACT - HORIZONTAL SECTION



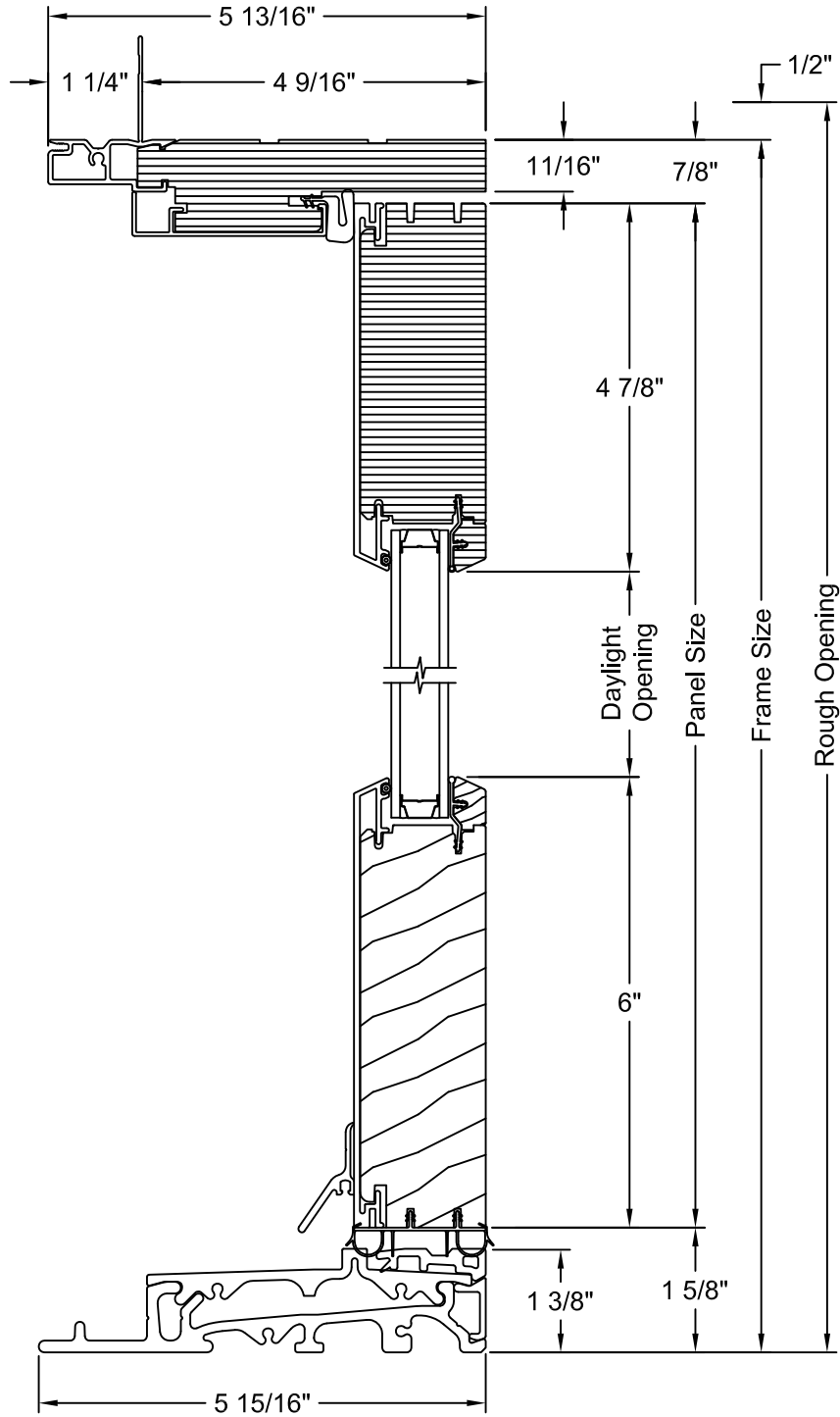


VENTING SIDELITE - HORIZONTAL SECTION



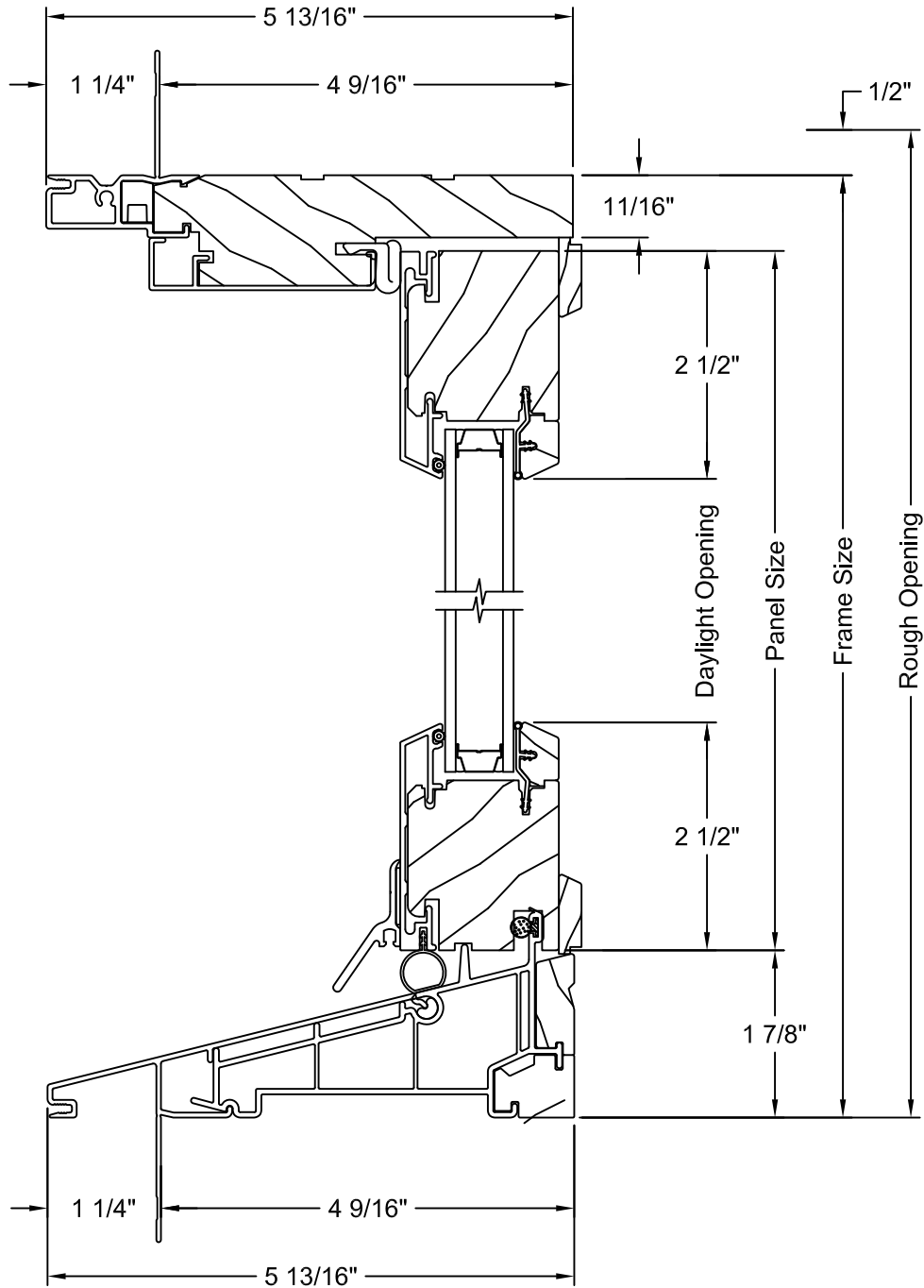


RADIUS TOP - VERTICAL SECTION



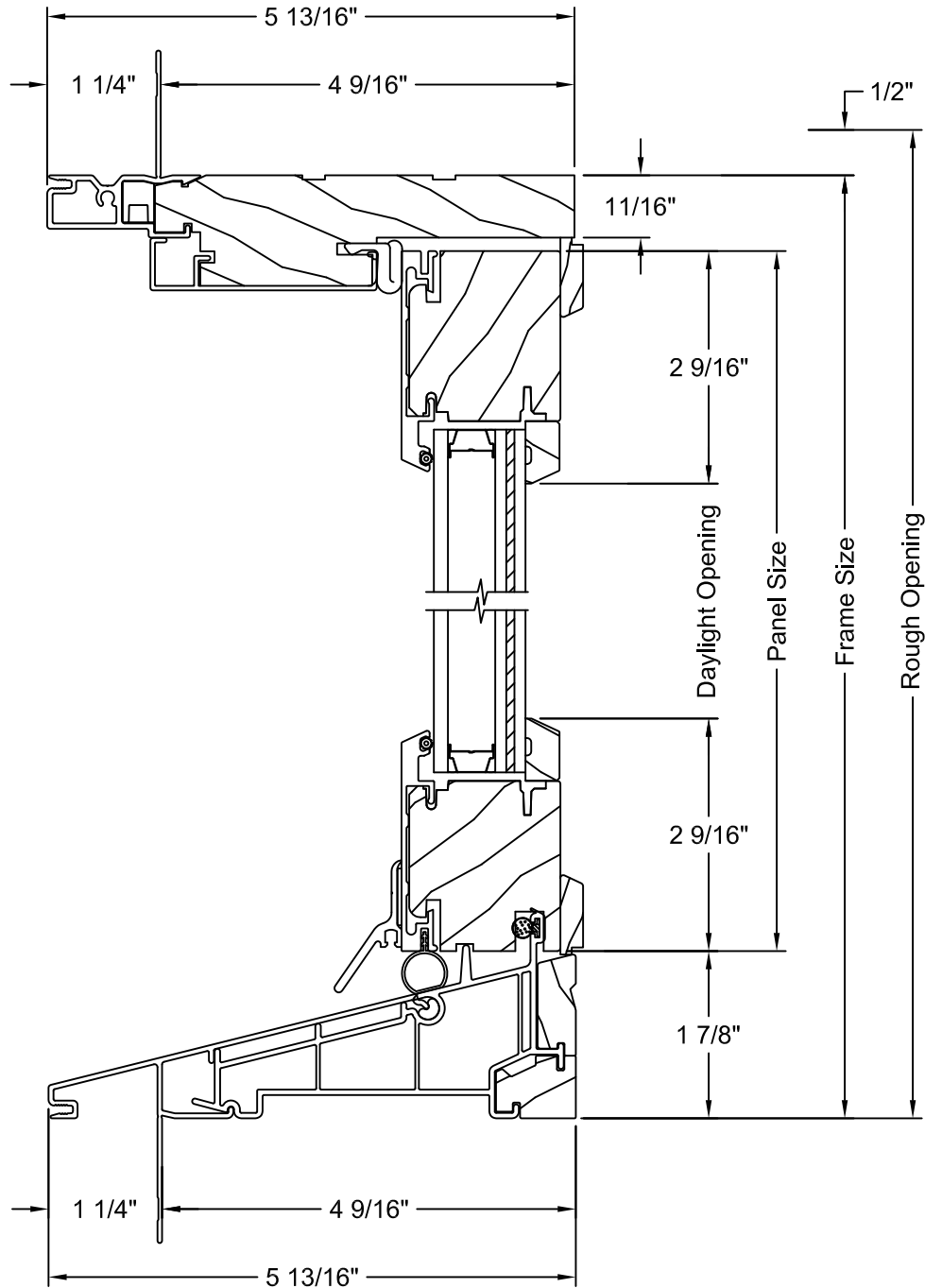


TRANSOM FIXED - VERTICAL SECTION



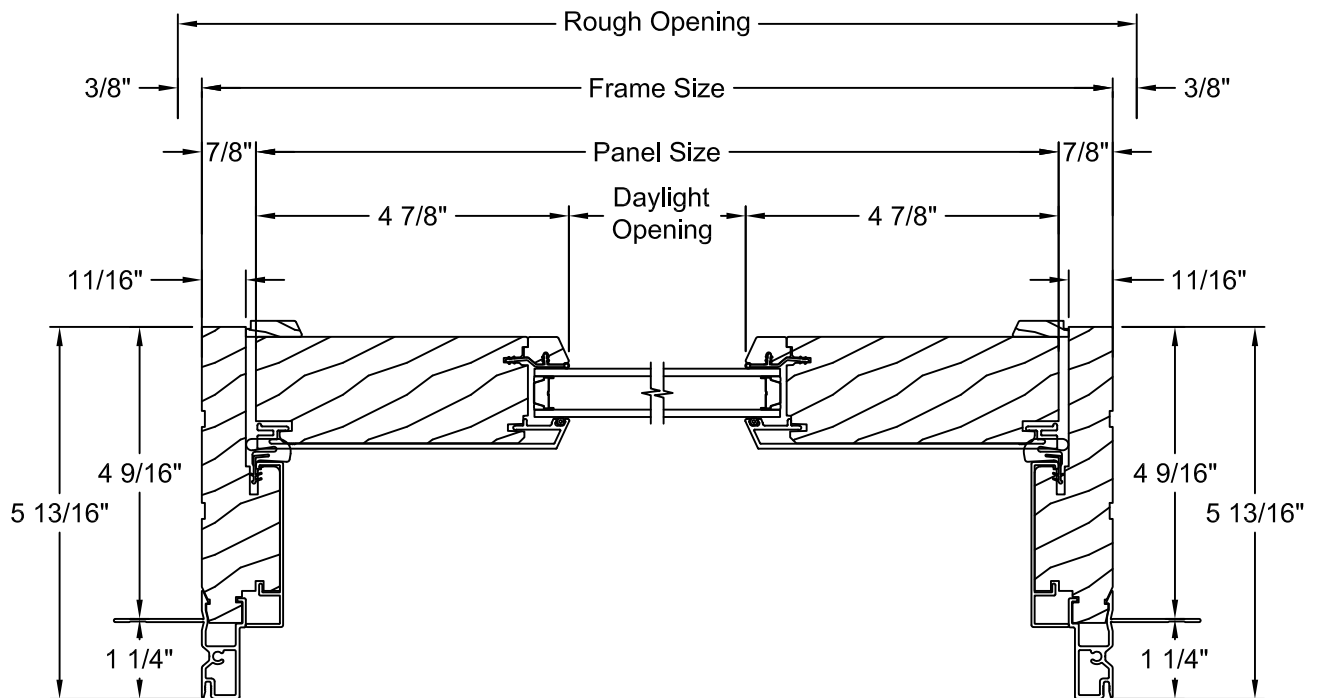


TRANSOM IMPACT - VERTICAL SECTION



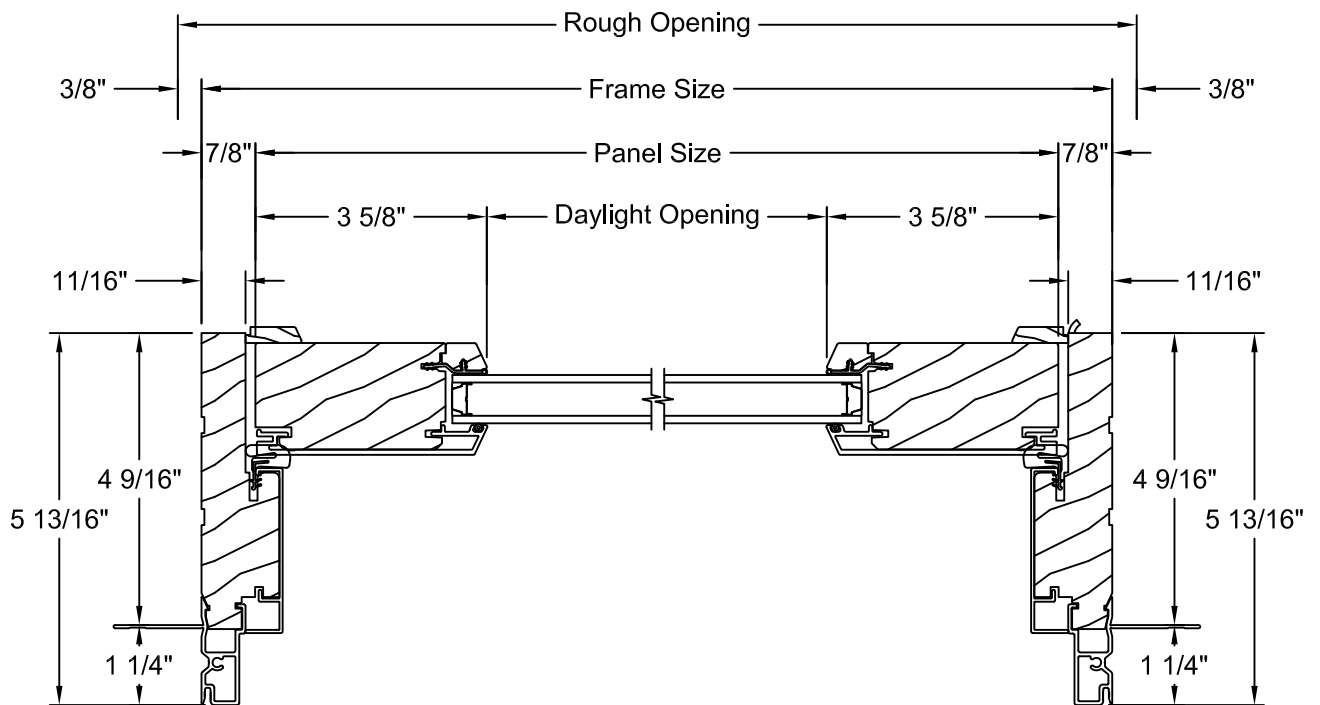


TRANSOM WIDE STILE - HORIZONTAL SECTION



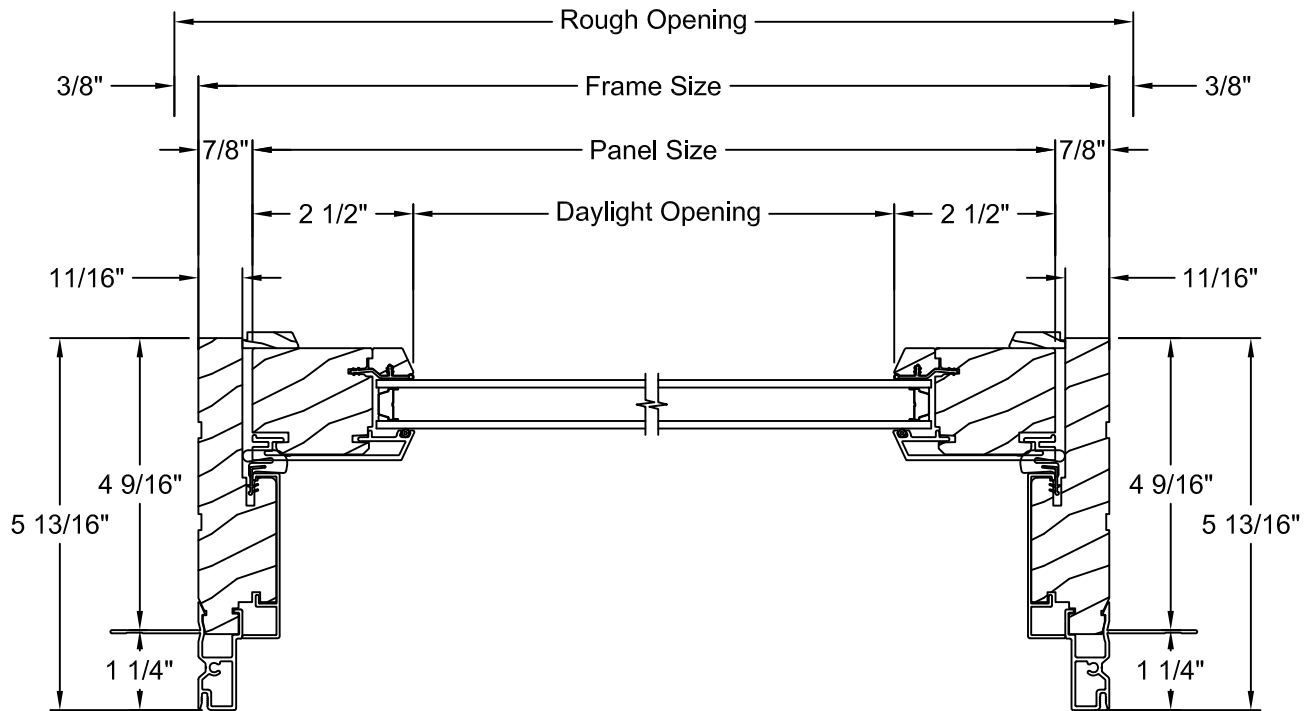


TRANSOM NARROW STILE - HORIZONTAL SECTION



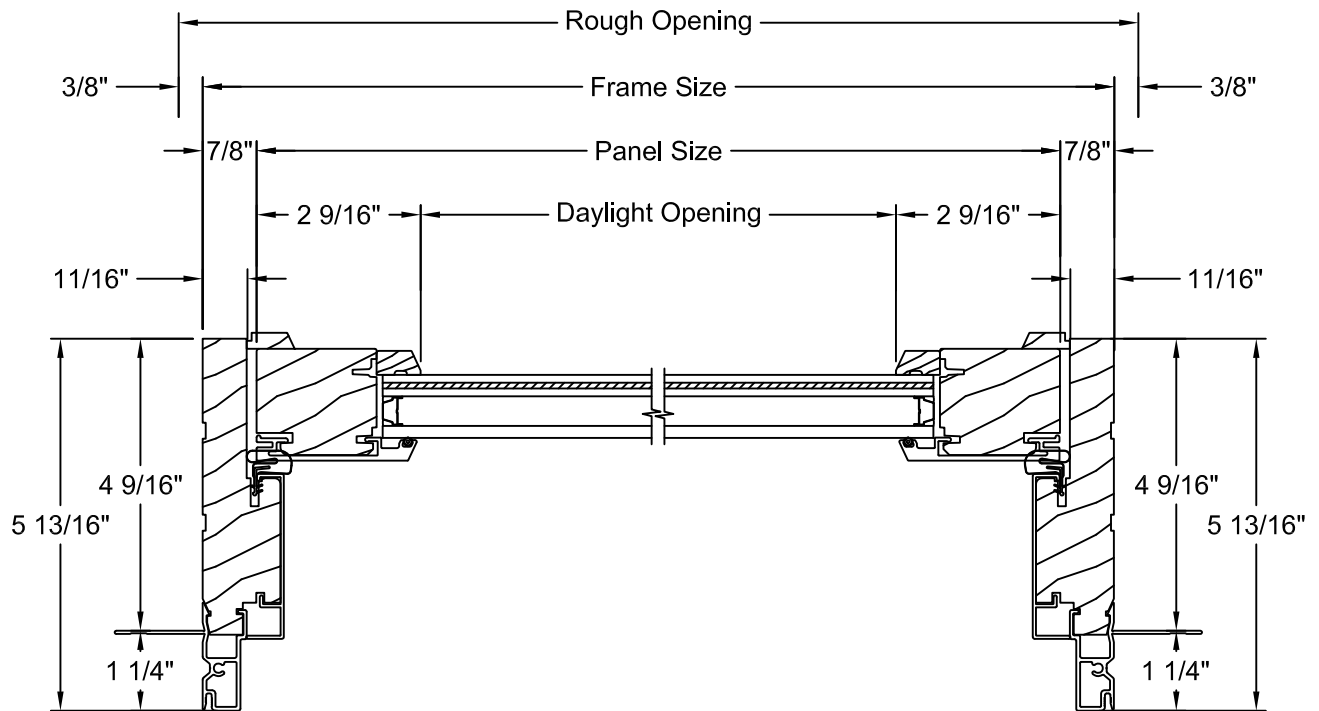


TRANSOM SIDELITE STILE - HORIZONTAL SECTION



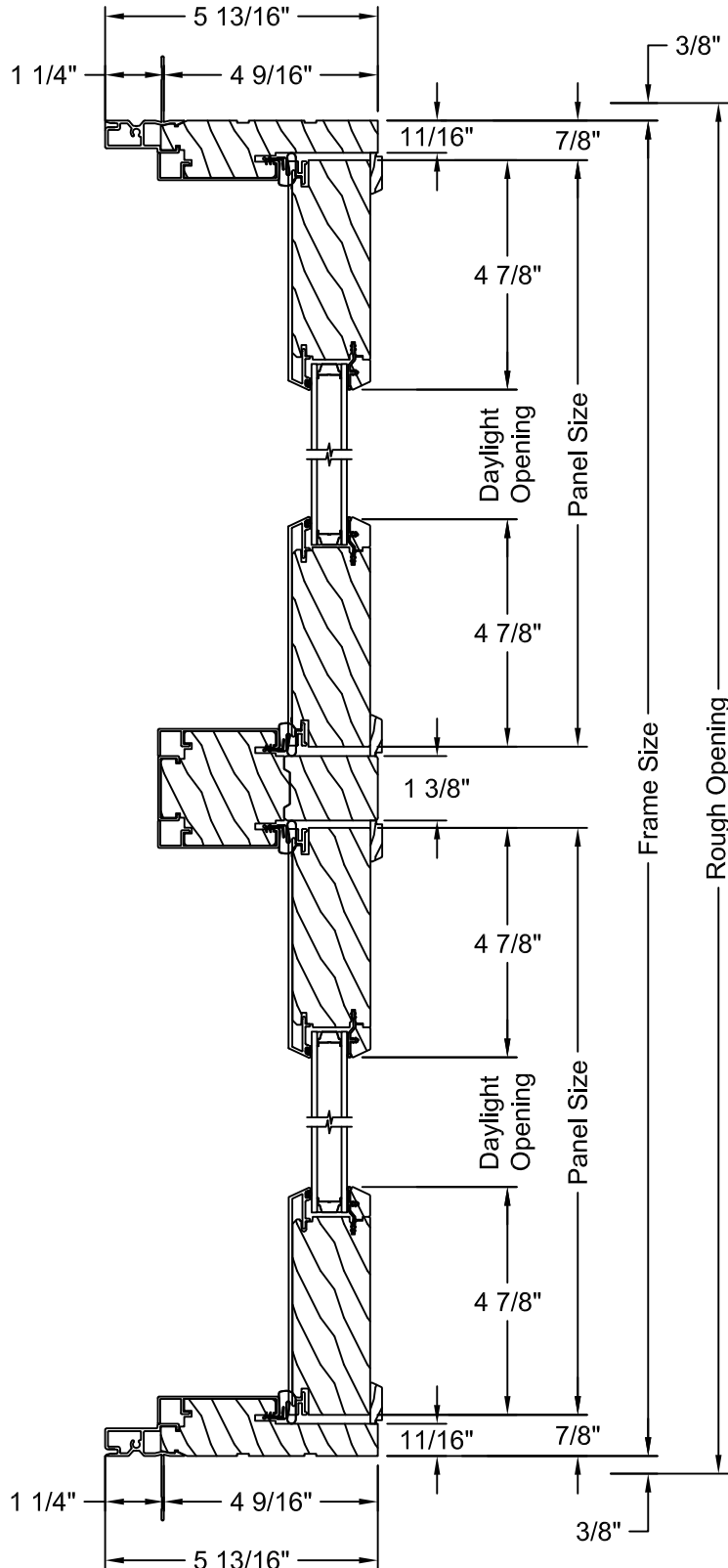


TRANSOM SIDELITE STILE IMPACT - HORIZONTAL SECTION



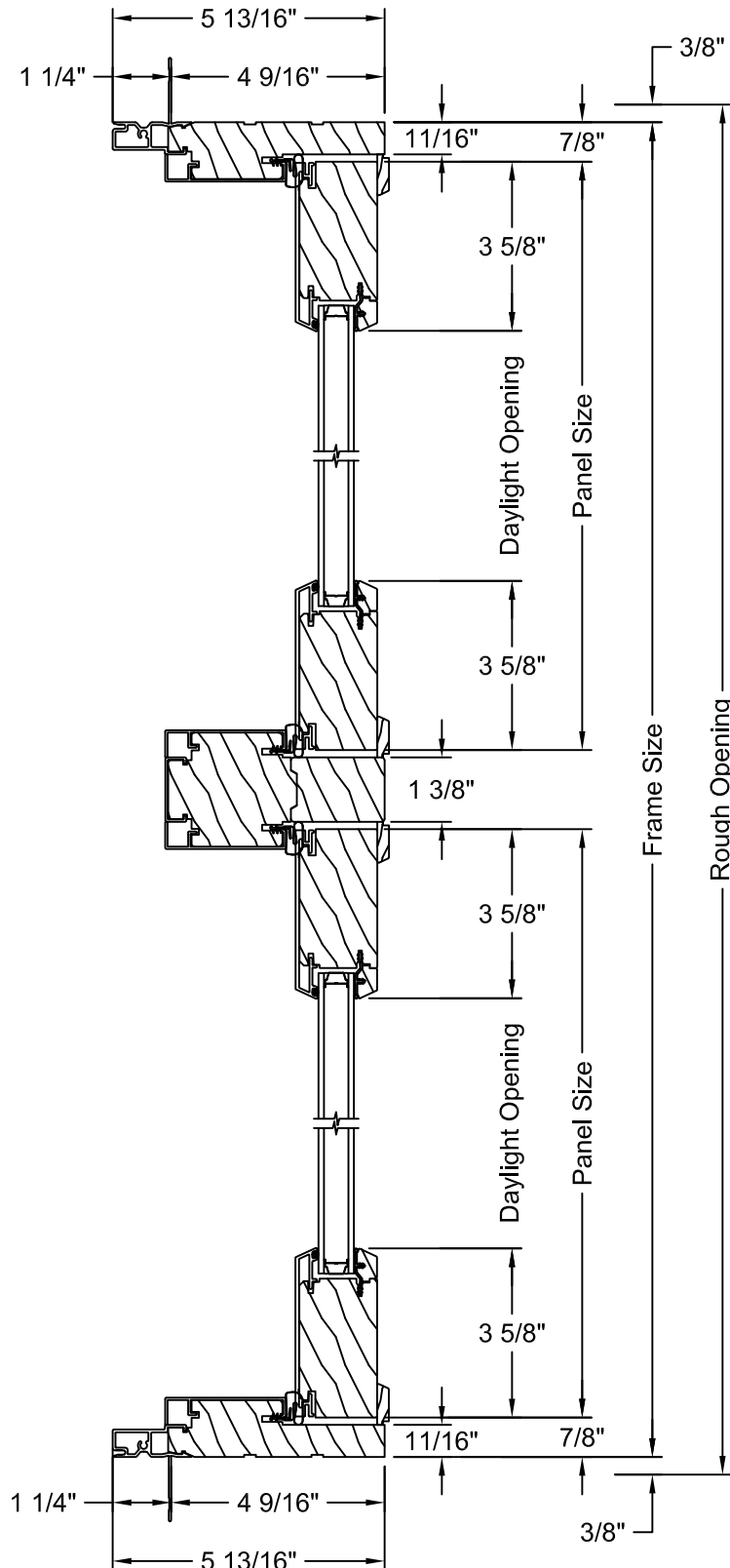


TRANSOM 2 PANEL WIDE STILE - HORIZONTAL SECTION



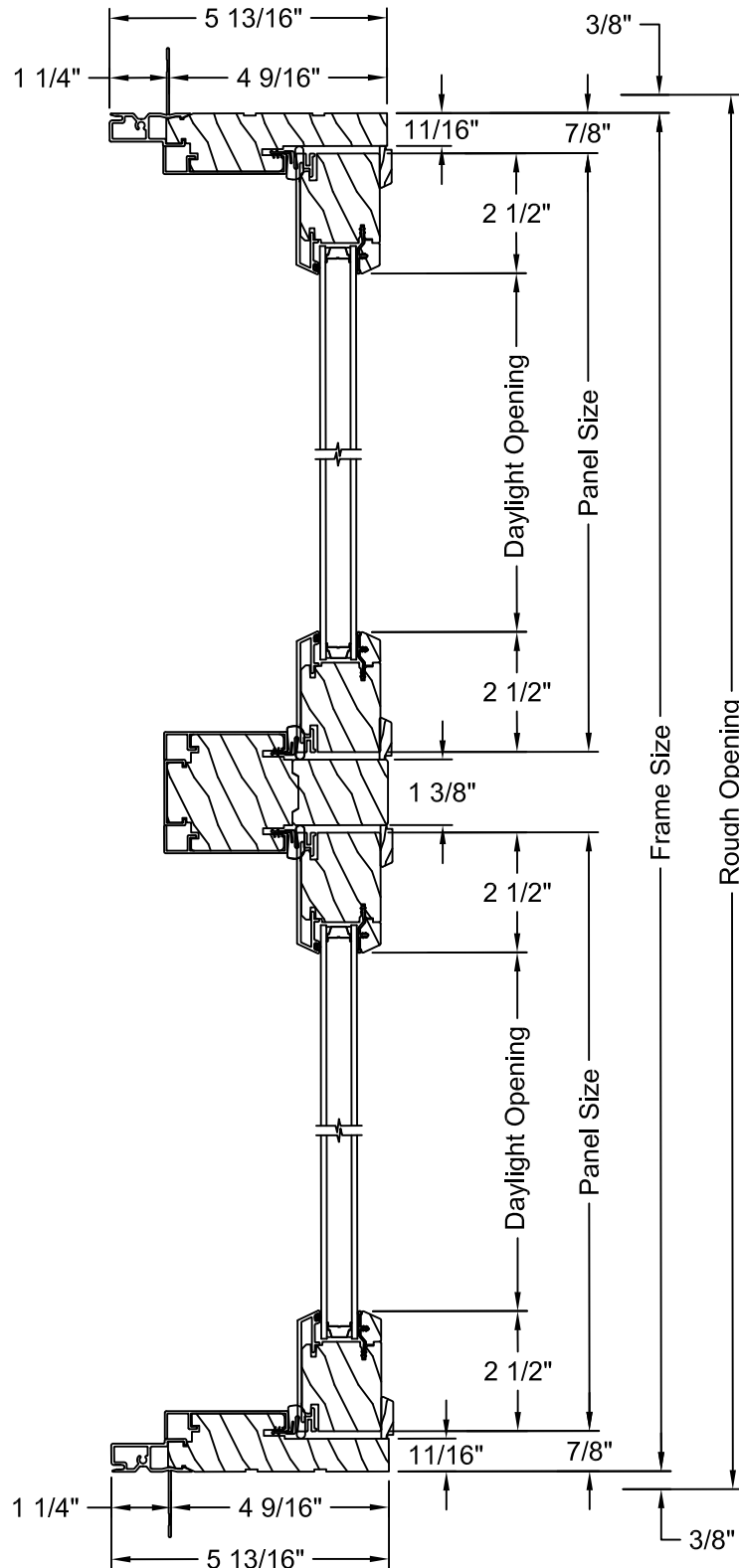


TRANSOM 2 PANEL NARROW STILE - HORIZONTAL SECTION



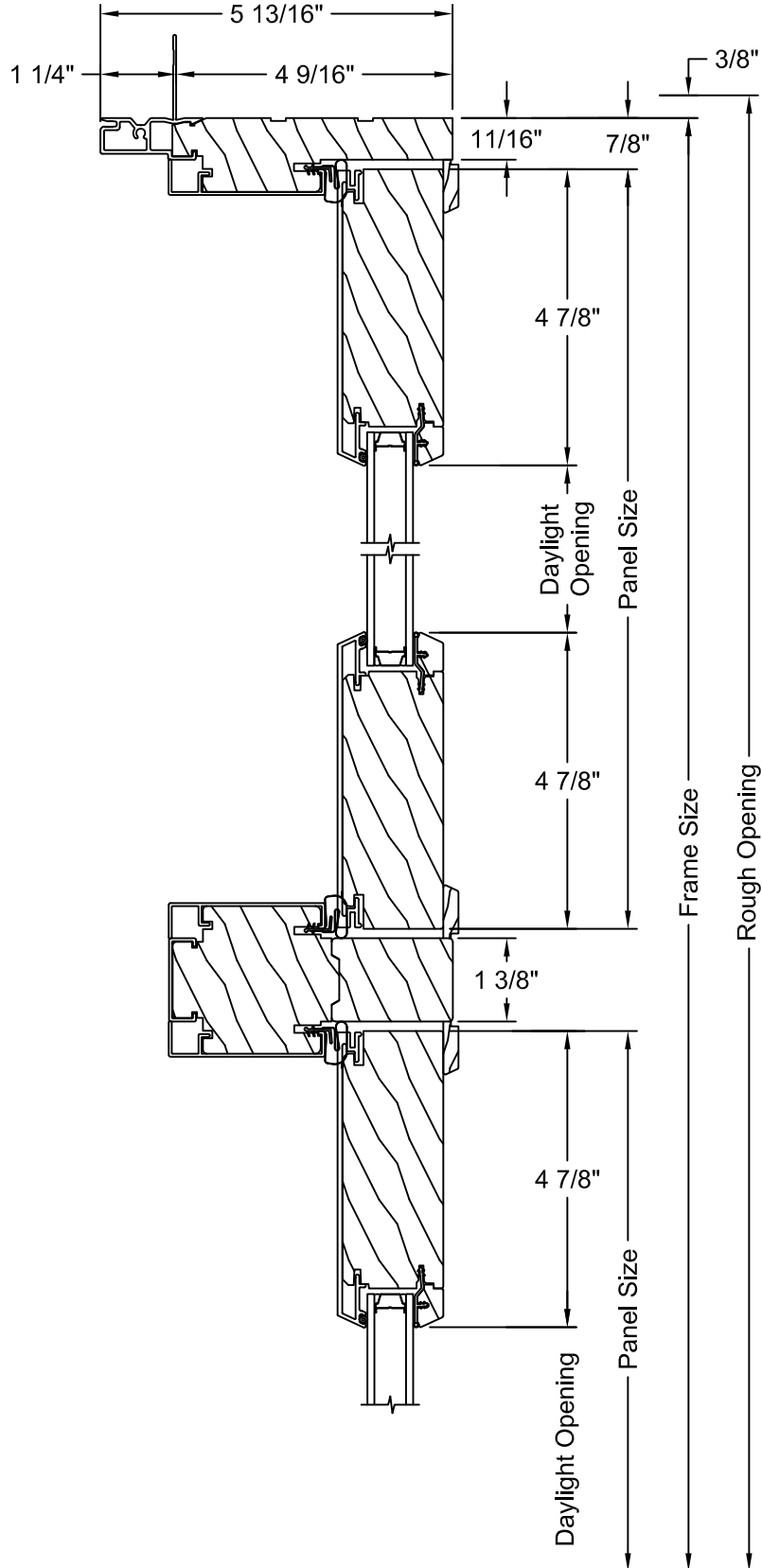


TRANSOM 2 PANEL SIDELITE STILE - HORIZONTAL SECTION



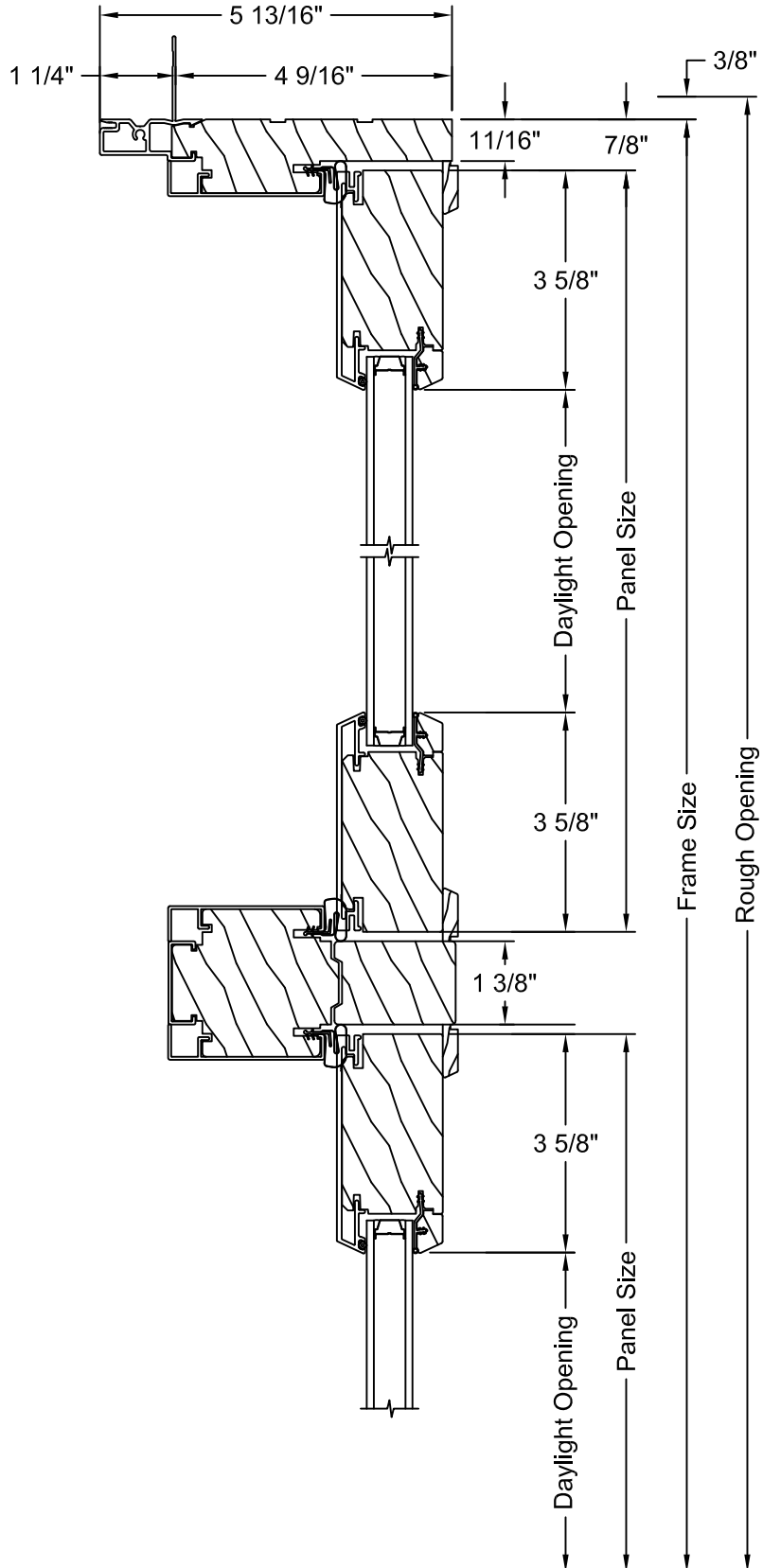


TRANSOM 3 PANEL WIDE STILE - HORIZONTAL SECTION





TRANSOM 3 PANEL NARROW STILE - HORIZONTAL SECTION





TRANSOM 3 PANEL SIDELITE STILE - HORIZONTAL SECTION

