




REGISTER YOUR TOOLS
 @ <http://register.ryobitools.com>
 1-800-525-2579

**EN MEXICO:
 PARA MAS INFORMACION
 WWW.RYOBITOLS.MX**
SERVICIO AL CLIENTE
 01-800-843-1111



OPERATOR'S MANUAL

MANUEL D'UTILISATION

MANUAL DEL OPERADOR

18 VOLT HYBRID LED

CABLE LIGHT

LUMIÈRES SUR CORDON À
 DEL HYBRIDE DE 18 V

LUZ LED CON CABLE HÍBRIDA
 DE 18 V

P785

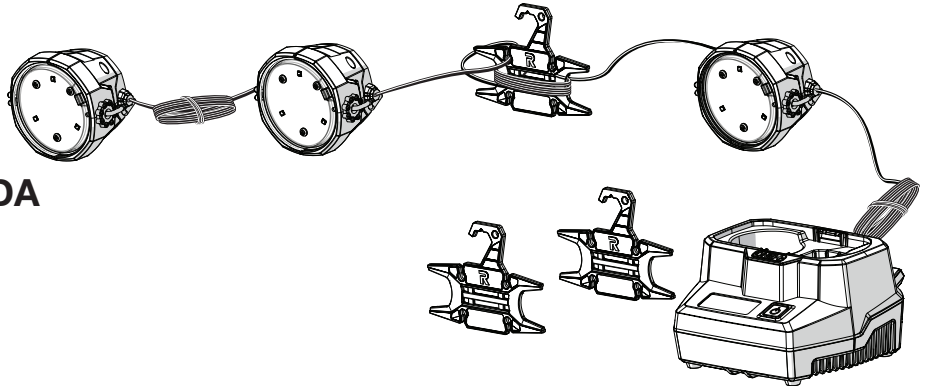


TABLE OF CONTENTS

- Important Safety Instructions2
- Cable light safety warnings3-4
- Electrical4
- Symbols.....5
- Features.....6
- Assembly6
- Operation.....6-7
- Maintenance.....8
- Illustrations9-10
- Parts Ordering / Service Back Page

TABLE DES MATIÈRES

- Instructions importantes
concernant la sécurité2
- Avertissements de sécurité
relatifs lumières sur cordon.....3-4
- Caractéristiques électriques.....4
- Symboles.....5
- Caractéristiques6
- Assemblage.....6
- Utilisation.....6-7
- Entretien8
- Illustrations9-10
- Commande de pièces /
réparation.....Page arrière

ÍNDICE DE CONTENIDO

- Instrucciones de seguridad
importantes2
- Advertencias de seguridad para
luz con cable.....3-4
- Aspectos eléctricos.....4
- Símbolos5
- Características6
- Armado.....6
- Funcionamiento.....6-7
- Mantenimiento.....8
- Ilustraciones9-10
- Pedidos de piezas /
servicio..... Pág. posterior

⚠ WARNING: To reduce the risk of injury, the user must read and understand the operator's manual before using this product.

⚠ AVERTISSEMENT : Pour réduire les risques de blessures, l'utilisateur doit lire et veiller à bien comprendre le manuel d'utilisation avant d'employer ce produit.

⚠ ADVERTENCIA: Para reducir el riesgo de lesiones, el usuario debe leer y comprender el manual del operador antes de usar este producto.

**SAVE THIS MANUAL FOR
 FUTURE REFERENCE**

**CONSERVER CE MANUEL
 POUR FUTURE RÉFÉRENCE**

**GUARDE ESTE MANUAL
 PARA FUTURAS CONSULTAS**

IMPORTANT SAFETY INSTRUCTIONS



WARNING!

READ AND SAVE THESE INSTRUCTIONS. Failure to follow all instructions listed below, may result in electric shock, fire and/or serious personal injury.

Save all warnings and instructions for future reference. The term “product” in the warnings refers to your mains-operated (corded) product or battery-operated (cordless) product.

WORK AREA SAFETY

- **For light duty in normally dry locations.**
- **Keep your work area clean and well lit.** Cluttered benches and dark areas invite accidents.
- **Do not operate products in explosive atmospheres, such as in the presence of flammable liquids, gases, or dust.** products create sparks which may ignite the dust or fumes.
- **Keep children and bystanders away while operating a product.** Distractions can cause you to lose control.

ELECTRICAL SAFETY

- **A battery operated product with integral batteries or a separate battery pack must be recharged only with the specified charger for the battery.** A charger that may be suitable for one type of battery may create a risk of fire when used with another battery.
- **Use battery only with charger listed.** For use with 18V lithium-ion battery packs, see tool/appliance/battery pack/charger correlation supplement 987000-432.
- **When using a power cord, protect the power cord from being walked on or pinched particularly at plugs, convenience receptacles, and the point where they exit from the product.**
- **Do not expose products to rain or wet conditions.** Water entering a product will increase the risk of electric shock.
- **Only hang or mount cable light in an area where no electrical wires, utility cables, pipes, or other obstructions are located to avoid risk of electrocution or electric shock.**
- **Unplug this product during lightning storms or when not in use.**

PERSONAL SAFETY

- **Do not overreach. Keep proper footing and balance at all times.** Proper footing and balance enable better control of the product in unexpected situations.
- **Do not use on a ladder or unstable support.** Stable footing on a solid surface enables better control of the product in unexpected situations.

CABLE LIGHT USE AND CARE

- **Do not use product if switch does not turn it on or off.** A product that cannot be controlled with the switch is dangerous and must be repaired.
- **Disconnect battery pack or extension cord from product before making any adjustments, changing accessories, or storing the product.** Such preventive safety measures reduce the risk of starting the product accidentally.
- **Keep the product and its handle dry, clean and free from oil and grease.** Always use a clean cloth when cleaning. Never use brake fluids, gasoline, petroleum-based products, or any strong solvents to clean your product. Following this rule will reduce the risk of loss of control and deterioration of the enclosure plastic.
- **To reduce the risk of electric shock, do not use this light near water, especially when it is powered by the power cord.**
- **Clean only with dry cloth.**
- **Do not operate near any heat sources such as radiators, heat registers, stoves, or other apparatus (including amplifiers) that produce heat.**

BATTERY TOOL USE AND CARE

- **Recharge only with the charger specified by the manufacturer.** A charger that is suitable for one type of battery pack may create a risk of fire when used with another battery pack.
- **Use products only with specifically designated battery packs.** Use of any other battery packs may create a risk of injury and fire.
- **When battery pack is not in use, keep it away from other metal objects, like paper clips, coins, keys, nails, screws or other small metal objects, that can make a connection from one terminal to another.** Shorting the battery terminals together may cause burns or a fire.
- **Under abusive conditions, liquid may be ejected from the battery; avoid contact. If contact accidentally occurs, flush with water. If liquid contacts eyes, additionally seek medical help.** Liquid ejected from the battery may cause irritation or burns.

IMPORTANT SAFETY INSTRUCTIONS

SERVICE

- **Product service must be performed only by qualified repair personnel.** Service or maintenance performed by unqualified personnel may result in a risk of injury.
- **When servicing the product, use only identical replacement parts. Follow instructions in the Maintenance section of this manual.** Use of unauthorized parts or failure to follow Maintenance Instructions may create a risk of shock or injury.

CABLE LIGHT SAFETY WARNINGS

- **Know your product. Read operator's manual carefully. Learn its applications and limitations, as well as the specific potential hazards related to this product.** Following this rule will reduce the risk of electric shock, fire, or serious injury.
- **Do not permit children to use cable light.** It is not a toy.
- **Carefully position the power cord during use.** A power cord in your walking path can be a tripping hazard.
- **Do not place hands or fingers between adjustable head and wire bail when positioning cable light to avoid possible pinching.**
- **Battery tools do not have to be plugged into an electrical outlet; therefore, they are always in operating condition.** Be aware of possible hazards when not using your battery tool or when changing accessories. Following this rule will reduce the risk of electric shock, fire, or serious personal injury.
- **Do not place the product or their batteries near fire or heat.** This will reduce the risk of explosion and possibly injury.
- **Do not crush, drop or damage battery pack. Do not use a battery pack or charger that has been dropped or received a sharp blow.** A damaged battery is subject to explosion. Properly dispose of a dropped or damaged battery immediately.
- **Batteries can explode in the presence of a source of ignition, such as a pilot light.** To reduce the risk of serious personal injury, never use any cordless product in the presence of open flame. An exploded battery can propel debris and chemicals. If exposed, flush with water immediately.
- **Do not charge product battery in a damp or wet location.** Following this rule will reduce the risk of electric shock.
- **For best results, your battery should be charged in a location where the temperature is more than 50°F but less than 100°F. Do not store outside or in vehicles.**
- **Under extreme usage or temperature conditions, battery leakage may occur. If liquid comes in contact with your skin, wash immediately with soap and water. If liquid gets into your eyes, flush them with clean water for at least 10 minutes, then seek immediate medical attention.** Following this rule will reduce the risk of serious personal injury.
- **Do not incinerate the battery even if it is severely damaged.** The batteries can explode in a fire.
- **To reduce the risk of fire or electric shock, do not use this product with any solid-state speed control device.**
- **To reduce the risk of personal injury and electric shock, the product should not be played with or placed where small children can reach it.**
- **To reduce the risk of electric shock, do not expose to water or rain.**
- **Save these instructions.** Refer to them frequently and use them to instruct others who may use this tool. If you loan someone this tool, loan them these instructions also to prevent misuse of the product and possible injury.

ELECTRICAL

DOUBLE INSULATION

Double insulation is a concept in safety in electric products, which eliminates the need for the usual three-wire grounded power cord. All exposed metal parts are isolated from the internal metal components with protecting insulation. Double insulated products do not need to be grounded.

WARNING:

The double insulated system is intended to protect the user from shock resulting from a break in the product's internal wiring. Observe all normal safety precautions to avoid electrical shock.

NOTE: Servicing of a product with double insulation requires extreme care and knowledge of the system and should be performed only by a qualified service technician. For service, we suggest you return the product to your nearest authorized service center for repair. Always use original factory replacement parts when servicing.

ELECTRICAL CONNECTION

This is a hybrid product capable of operating on alternating current (AC) through an extension cord or direct current (DC) through a battery pack. If the product does not operate when an extension cord or battery pack is installed, double-check the power supply.

- To use alternating current, connect the product to a **power supply that is 120 volts, AC only (normal household current), 60 Hz.**
- To use direct current, install a **manufacturer-recommended 18 volt battery pack only.**

NOTE: Do not operate this product on direct current through an extension cord. Doing so would cause a substantial voltage drop, which will cause a loss of power and could cause the product to overheat.

EXTENSION CORDS

When using a product at a considerable distance from a power source, be sure to use an extension cord that has the capacity to handle the current the product will draw. An undersized cord will cause a drop in line voltage, resulting in overheating and loss of power. Use the chart to determine the minimum wire size required in an extension cord. Only round jacketed cords listed by Underwriter's Laboratories (UL) should be used.

When using this product outdoors, use an extension cord that is designed for outside use. This type of cord is designated with "WA" or "W" on the cord's jacket.

Before using any extension cord, inspect it for loose or exposed wires and cut or worn insulation.

**Ampere rating (on product data plate)

Cord Length	Wire Size (A.W.G.)					
	0-2.0	2.1-3.4	3.5-5.0	5.1-7.0	7.1-12.0	12.1-16.0
25'	16	16	16	16	14	14
50'	16	16	16	14	14	12
100'	16	16	14	12	10	—

**Used on 12 gauge - 20 amp circuit

NOTE: AWG = American Wire Gauge

WARNING:




Keep the extension cord clear of the working area. Position the cord so that it will not get caught on lumber, tools, or other obstructions while you are working with this product. Failure to do so can result in serious personal injury.

WARNING:









Check extension cords before each use. If damaged replace immediately. Never use a product with a damaged cord since touching the damaged area could cause electrical shock resulting in serious injury.

SYMBOLS

The following signal words and meanings are intended to explain the levels of risk associated with this product.

SYMBOL	SIGNAL	MEANING
	DANGER:	Indicates a hazardous situation, which, if not avoided, will result in death or serious injury.
	WARNING:	Indicates a hazardous situation, which, if not avoided, could result in death or serious injury.
	CAUTION:	Indicates a hazardous situation, that, if not avoided, may result in minor or moderate injury.
	NOTICE:	(Without Safety Alert Symbol) Indicates information considered important, but not related to a potential injury (e.g. messages relating to property damage).

Some of the following symbols may be used on this product. Please study them and learn their meaning. Proper interpretation of these symbols will allow you to operate the product better and safer.

SYMBOL	NAME	DESIGNATION/EXPLANATION
	Safety Alert	Indicates a potential personal injury hazard.
	Read Operator's Manual	To reduce the risk of injury, user must read and understand operator's manual before using this product.
	Wet Conditions Alert	Do not expose to rain or use in damp locations.
	Extremely Bright Light	This product uses extremely bright LEDs. To avoid serious eye injury, do not shine into eyes or face.
	Recycle Symbol	This product uses lithium-ion (Li-ion) batteries. Local, state or federal laws may prohibit disposal of batteries in ordinary trash. Consult your local waste authority for information regarding available recycling and/or disposal options.
V	Volts	Voltage
A	Amperes	Current
Hz	Hertz	Frequency (cycles per second)
W	Watt	Power
min	Minutes	Time
	Direct Current	Type or a characteristic of current
	Alternating Current	Type of current
	Class II Tool	Double-insulated construction

FEATURES

PRODUCT SPECIFICATIONS

LED 3 per light head
Light Output Over 1500 lumens

Cord Length Between Heads 10 ft.
Power Source 18 Volt DC/120 V, AC only, 60 Hz

ASSEMBLY

WARNING:

Do not use this product if it is not completely assembled or if any parts appear to be missing or damaged. Use of a product that is not properly and completely assembled or with damaged or missing parts could result in serious personal injury.

WARNING:

Do not attempt to modify this product or create accessories or attachments not recommended for use with this product. Any such alteration or modification is misuse and could result in a hazardous condition leading to possible serious personal injury.

If any parts are damaged or missing, please call 1-800-525-2579 for assistance. In Mexico, please call 01-800-843-1111.

OPERATION

WARNING:

Do not direct the light beam at persons or animals and do not stare into the light beam yourself (not even from a distance). Staring into the light beam may result in serious injury or vision loss.

WARNING:

Do not allow familiarity with products to make you careless. Remember that a careless fraction of a second is sufficient to inflict serious injury.

WARNING:

Do not use any attachments or accessories not recommended by the manufacturer of this product. The use of attachments or accessories not recommended can result in serious personal injury.

NOTICE:

This product is designed to be powered by either a Ryobi™ One+™ 18V battery pack (DC mode) or by electric power (AC mode). Either power source can be used by installing an approved battery pack or power cord into the product as described in this manual.

INSTALLING/REMOVING BATTERY PACK

See Figure 1, page 9.

- Insert the battery pack into the base as shown.
- Make sure the latches on each side of the battery pack snap into place and the battery pack is secured before beginning operation.
- Depress the latches to remove the battery pack.

For complete charging instructions, refer to the Operator's Manuals for your battery pack and charger models.

WARNING:

Always remove battery pack or unplug extension cord from your product when you are assembling parts, making adjustments, cleaning, or when not in use. Removing battery pack or unplugging extension cord will prevent accidental starting that could cause serious personal injury.

APPLICATIONS

You may use this tool for the purpose listed below:

- To illuminate distant objects and areas requiring additional light

OPERATION

INSTALLING/REMOVING POWER CORD (NOT INCLUDED)

See Figure 2, page 9.

- Insert the female end of the power cord into the base as shown.
- Connect the male end of the power cord to the power source.
- Make sure the power cord is secured before beginning operation.

TURNING THE CABLE LIGHT ON/OFF

See Figure 3, page 9.

The cable light has four settings: high, medium, low, and off.

- Connect the cable light to an AC or DC power supply.
- Press the power button to cycle between high, medium, low and off.

ROTATING WIRE BAIL

See Figures 4 and 5, page 9.

The wire bail can be rotated to eight different positions around the light head. Use the bail to prop the light head up or clamp it to a suitable object.

MOUNTING THE BASE

See Figure 6, page 9.

WARNING:

Make sure the base is mounted high enough to prevent unauthorized activation of the lights. Unauthorized activation of the lights can result in serious personal injury.

- Disconnect the AC or DC power supply.

- Find desired location away from any objects that could block vents on base.
- Use a level to be sure that the base is in a vertical position. Use a pencil to mark screw hole placement.
- Install screws so that the center distance is 3-1/8 in.
- Place the wide portions of both key holes over the heads of each screw.
- Slide the base down until the screws are inside the narrow portions of the key holes.

HANGING THE CABLE LIGHTS

See Figures 7 - 9, page 10.

WARNING:

Only hang LED cable lights in an area where no electrical wires, utility cables, pipes, or other obstructions are located. Contact your local utility company or a qualified electrician if you are unsure. Do not hang cable lights from any electrical power cord. Ensure cable light is securely hung to prevent falling object hazard. Failure to follow these instructions can result in electrocution, electrical shock, or other serious personal injury.

To obtain the best illumination we recommend that the cable lights be secured to an overhead support.

- Disconnect the AC or DC power supply.
- Position each light head and rotate bails to the desired position for hanging.
- Hang the lights in a secure location.

NOTE: Wrap excess cable around the supplied cord hooks and secure it to the notches to keep it out of the way.

MAINTENANCE

⚠ WARNING:

When servicing, use only identical replacement parts. Use of any other parts may create a hazard or cause product damage.

⚠ WARNING:

To avoid serious personal injury, always remove the battery pack or extension cord from the product when cleaning or performing any maintenance.

⚠ WARNING:

Do not at any time let brake fluids, gasoline, petroleum-based products, penetrating oils, etc., come in contact with plastic parts. Chemicals can damage, weaken or destroy plastic which may result in serious personal injury.

NOTICE:

The LED cannot be replaced. Any attempt to replace the LED may damage the light.

GENERAL MAINTENANCE

Avoid using solvents when cleaning plastic parts. Most plastics are susceptible to damage from various types of commercial solvents and may be damaged by their use. Use clean cloths to remove dirt, dust, oil, grease, etc.

**NOTE: ILLUSTRATIONS START ON PAGE 9
AFTER FRENCH AND SPANISH LANGUAGE SECTIONS.**

INSTRUCTIONS IMPORTANTES CONCERNANT LA SÉCURITÉ



AVERTISSEMENT !

LIRE ET CONSERVER CES INSTRUCTIONS. Le non respect de toutes les instructions ci-dessous peut entraîner un choc électrique, un incendie et / ou des blessures graves.

Conserver les avertissements et les instructions à des fins de référence ultérieure. Le terme « produit », utilisé dans tous les avertissements ci-dessous désigne tout outil fonctionnant sur secteur (câblé) ou sur piles (sans fil).

SÉCURITÉ DU LIEU DE TRAVAIL

- **Pour une utilisation légers dans des endroits normalement sèches.**
- **Garder le lieu de travail propre et bien éclairé.** Les établis encombrés et les endroits sombres sont propices aux accidents.
- **Ne pas utiliser produit dans des atmosphères explosives, par exemple en présence de liquides, gaz ou poussières inflammables.** produit produisent des étincelles risquant d'enflammer les poussières ou vapeurs.
- **Garder les enfants et badauds à l'écart pendant l'utilisation d'un outil électrique.** Les distractions peuvent causer une perte de contrôle.

SÉCURITÉ ÉLECTRIQUE

- **Les piles des produit, qu'elles soient intégrées ou amovibles, ne doivent être rechargées qu'avec l'appareil spécifié.** Un chargeur approprié pour un type de pile peut créer un risque d'incendie s'il est utilisé avec un autre type de pile.
- **Ne recharger les piles qu'avec l'appareil indiqué.** Pour utiliser l'appareil avec des piles au lithium-ion de 18 V, consulter le supplément de raccordement pour chargeur/outils/piles/appareil n° 987000-432.
- **Lorsque vous utilisez un cordon d'alimentation, protéger le cordon d'alimentation pour que personne ne marche dessus ou ne le pince, en particulier au niveau des fiches, des prises de courant et des points où il sort de l'appareil.**
- **Ne pas exposer les outils électriques à l'eau ou l'humidité.** La pénétration d'eau dans ces outils accroît le risque de choc électrique.
- **Suspendre ou monter seulement la lumières sur cordon dans un endroit sans fils électriques, où se trouvent des câbles de service utilitaire ou d'autres obstructions pour éviter le risque d'électrocution ou de décharge électrique.**

- **Débrancher cet appareil pendant les orages électriques ou lorsque l'outil n'est pas utilisé.**

SÉCURITÉ PERSONNELLE

- **Ne pas travailler hors de portée. Toujours se tenir bien campé et en équilibre.** Une bonne tenue et un bon équilibre permettent de mieux contrôler le produit en cas de situation imprévue.
- **Ne pas utiliser le produit sur une échelle ou un support instable.** Une bonne tenue et un bon équilibre permettent de mieux contrôler le produit en cas de situation imprévue.

UTILISATION ET ENTRETIEN DE LUMIÈRES SUR CORDON

- **Ne pas utiliser le produit si le commutateur ne permet pas de le mettre en marche ou de l'arrêter.** Un produit qui ne peut pas être contrôlé par son commutateur est dangereux et doit être réparé.
- **Déconnecter le blocs-piles o cordon prolongateur avant d'effectuer des réglages, de changer d'accessoire ou de remiser le produit.** Ces mesures de sécurité réduisent les risques de démarrage accidentel du produit.
- **Garder le produit et sa poignée secs, propres et exempts d'huile ou de graisse.** Toujours utiliser un chiffon propre pour le nettoyage. Ne jamais utiliser de liquide de freins, d'essence, de produits à base de pétrole ou de solvants forts pour nettoyer produit. Le respect de ces règles réduira les risques de perte de contrôle et d'endommagement du boîtier en plastique.
- **Pour réduire le risque de décharge électrique, ne pas utiliser le produit près de l'eau surtout s'il est alimenté par le cordon d'alimentation.**
- **Ne nettoyer l'appareil qu'avec un chiffon sec.**
- **Ne pas installer l'appareil près de sources de chaleur telles que radiateurs, bouches de chaleurs, poêles ni d'autres appareils (y compris les amplificateurs) qui produisent de la chaleur.**

UTILISATION ET ENTRETIEN DE LA PILE

- **Ne recharger qu'avec l'appareil spécifié par le fabricant.** Un chargeur approprié pour un type de pile peut créer un risque d'incendie s'il est utilisé avec un autre type de pile.
- **Utiliser exclusivement le bloc-pile spécifiquement indiqué pour l'outil.** L'usage de tout autre bloc peut créer un risque de blessures et d'incendie.
- **Lorsque le bloc-piles n'est pas en usage, le garder à l'écart d'articles tels qu'attaches trombones, pièces de monnaie, clous, vis ou autres petits objets métalliques risquant d'établir le contact entre les deux bornes.** La mise en court-circuit des bornes de piles peut causer des étincelles, des brûlures ou un incendie.

INSTRUCTIONS IMPORTANTES CONCERNANT LA SÉCURITÉ

- **En cas d'usage abusif, du liquide peut s'échapper des piles. Éviter tout contact avec ce liquide. En cas de contact accidentel, rincer immédiatement les parties atteintes avec de l'eau. En cas d'éclaboussure dans les yeux consulter un médecin.** Le liquide s'échappant des piles peut causer des irritations ou des brûlures.

DÉPANNAGE

- **Le dépannage des produits doit être confié exclusivement à un personnel qualifié.** Les réparations ou entretiens effectués par des personnes non qualifiées présentent des risques de blessures.
- **Utiliser exclusivement des pièces identiques à celles d'origine pour les réparations. Se conformer aux instructions de la section Entretien de ce manuel.** L'usage de pièces non autorisées ou le non-respect des instructions peut présenter des risques de choc électrique ou de blessures.

AVERTISSEMENTS DE SÉCURITÉ RELATIFS LUMIÈRES SUR CORDON

- **Apprendre à connaître le produit. Lire attentivement le manuel d'utilisation. Apprendre les applications et les limites du produit, ainsi que les risques spécifiques relatifs à son utilisation.** Le respect de cette consigne réduira les risques d'incendie, de choc électrique et de blessures graves.
- **Ne pas laisser les enfants utiliser la panneau d'éclairage.** Ce n'est pas un jouet.
- **Placer soigneusement le cordon d'alimentation lors de l'utilisation.** Un cordon d'alimentation gênant le déplacement représente un risque de chute.
- **Ne pas placer les mains ou les doigts entre la tête et l'anse de fil réglables lorsque de son positionnement pour éviter les pincements.**
- **Les outils fonctionnant sur piles n'ayant pas besoin d'être branchés sur une prise de courant, ils sont toujours en état de fonctionnement.** Tenir compte des dangers possibles lorsque l'produit n'est pas en usage et lors du remplacement des piles. Le respect de cette consigne réduira les risques d'incendie, de choc électrique et de blessures graves.
- **Ne pas placer les produits sans fil ou leurs piles à proximité de flammes ou d'une source de chaleur.** Ceci réduira les risques d'explosion et de blessures.
- **Ne pas écraser, faire tomber ou endommager le bloc de piles. Ne pas utiliser un bloc de piles ou un chargeur endommagé ou soumis à un choc violent.** Une pile endommagée risque d'exploser. Éliminer immédiatement toute pile endommagée, selon une méthode appropriée.
- **Les piles peuvent exploser en présence d'une source d'allumage, telle qu'une veilleuse.** Pour réduire les risques de blessures graves, ne jamais utiliser un appareil sans fil, quel qu'il soit, en présence d'une flamme vive. En explosant, une pile peut projeter des débris et des produits chimiques. En cas d'exposition, rincer immédiatement les parties atteintes avec de l'eau.
- **Ne pas recharger un produit fonctionnant sur piles dans un endroit humide ou mouillé.** Le respect de cette règle réduira les risques de choc électrique.
- **Pour un résultat optimal, les piles doivent être rechargées dans un local où la température est de 10 à 38 °C (50 à 100° F). Ne pas ranger le produit à l'extérieur ou dans un véhicule.**
- **Si le produit est utilisé de façon intensive ou sous des températures extrêmes, des fuites de pile peuvent se produire. En cas de contact du liquide avec la peau, rincer immédiatement la partie atteinte avec de l'eau savonneuse. En cas d'éclaboussure dans les yeux, les rincer à l'eau fraîche pendant au moins 10 minutes, puis contacter immédiatement un médecin.** Le respect de cette consigne réduira les risques de blessures graves.
- **Ne pas incinérer les piles même s'il est très endommagé.** Les piles peuvent exploser dans le feu.
- **Pour réduire les risques d'incendie et de choc électrique, ne pas utiliser de produit avec un dispositif de contrôle de vitesse à circuit solide.**
- **Pour réduire le risque de blessure et de chocs électriques, le produit ne doit pas être utilisé comme un jouet ou placé à portée des enfants.**
- **Pour réduire le risque de chocs électriques, ne pas exposer à l'eau ou à la pluie.**
- **Conserver ces instructions.** Les consulter fréquemment et les utiliser pour instruire les autres utilisateurs éventuels. Si cet outil est prêté, il doit être accompagné de ces instructions, afin d'éviter un usage incorrect et d'éventuelles blessures.

CARACTÉRISTIQUES ÉLECTRIQUES

DOUBLE ISOLATION

La double isolation est un dispositif de sécurité utilisé sur les produits à moteur électriques, éliminant le besoin de cordon d'alimentation habituel à trois fils avec terre. Toutes les pièces métalliques exposées sont isolées des composants internes par l'isolation protectrice. Les produits à double isolation ne nécessitent pas de mise à la terre.

AVERTISSEMENT :

Le système à double isolation est conçu pour protéger l'utilisateur contre les chocs électriques causés par une rupture du câblage interne de l'produit. Prendre toutes les précautions de sécurité normales pour éviter les chocs électriques.

NOTE : La réparation d'un produit à double isolation exigeant des précautions extrêmes ainsi que la connaissance du système, elle ne doit être confiée qu'à un réparateur qualifié. En ce qui concerne les réparations, nous recommandons de confier l'produit au centre de réparation le plus proche. Utiliser exclusivement des pièces d'origine pour les réparations.

CONNEXIONS ÉLECTRIQUES

Ce produit hybride peut fonctionner avec du courant alternatif (ca) grâce à une rallonge électrique ou avec du courant continu (cc) grâce à un bloc-piles. Si le produit ne fonctionne ni avec une rallonge électrique ni avec le bloc-piles, double-vérifiez l'alimentation électrique.

- Pour utiliser du courant alternatif, branchez le produit à une **source d'alimentation de 120 V, ca seulement (courant normal d'une demeure), 60 Hz.**
- Pour utiliser du courant continu, installez a **seulement un bloc-piles de 18 V recommandé par le fabricant.**

NOTE : Ne faites pas fonctionner ce produit au courant continu par une rallonge électrique, ce qui pourrait causer une baisse importante de tension et une coupure de courant; le produit pourrait alors surchauffer.

CORDONS PROLONGATEURS

Lors de l'utilisation d'un outil électrique à grande distance d'une prise secteur, veiller à utiliser un cordon prolongateur d'une capacité suffisante pour supporter l'appel de courant de l'produit. Un cordon de capacité insuffisante causerait une baisse de la tension de ligne, entraînant une perte de puissance et une surchauffe. Se reporter au tableau ci-dessous pour déterminer le calibre minimum de fil requis pour

un cordon donné. Utiliser exclusivement des cordons à gaine cylindrique homologués par Underwriter's Laboratories (UL).

Pour le travail à l'extérieur, utiliser un cordon prolongateur spécialement conçu à cet effet. Ce type de cordon porte l'inscription « WA » ou « W » sur sa gaine.

Avant d'utiliser un cordon prolongateur, vérifier que ses fils ne sont ni détachés ni exposés et que son isolation n'est ni coupée, ni usée.

**Intensité nominale (sur la plaquette signalétique de l'produit)

Longueur du cordon	Calibre de fil (A.W.G.)					
	0-2,0	2,1-3,4	3,5-5,0	5,1-7,0	7,1-12,0	12,1-16,0
25'	16	16	16	16	14	14
50'	16	16	16	14	14	12
100'	16	16	14	12	10	—

**Utilisé sur circuit de calibre 12 – 20 A

NOTE : AWG = American Wire Gauge

AVERTISSEMENT :




Maintenir le cordon prolongateur à l'écart de la zone de travail. Lors du travail avec un cordon électrique, placer le cordon de manière à ce qu'il ne risque pas de se prendre dans les pièces de bois, produits et autres obstacles. Ne pas prendre cette précaution peut entraîner des blessures graves.

AVERTISSEMENT :







Vérifier l'état des cordons prolongateurs avant chaque utilisation. Remplacer immédiatement tout cordon endommagé. Ne jamais utiliser un produit dont le cordon d'alimentation est endommagé, car tout contact avec la partie endommagée pourrait causer un choc électrique et des blessures graves.

SYMBOLES

Les termes de mise en garde suivants et leur signification ont pour but d'expliquer le degré de risques associé à l'utilisation de ce produit.

SYMBOLE	SIGNAL	SIGNIFICATION
	DANGER :	Indique une situation dangereuse qui, si elle n'est pas évitée, aura pour conséquences des blessures graves ou mortelles.
	AVERTISSEMENT :	Indique une situation dangereuse qui, si elle n'est pas évitée, pourrait entraîner des blessures graves ou mortelles.
	ATTENTION :	Indique une situation dangereuse qui, si elle n'est pas évitée, pourrait entraîner des blessures légères ou de gravité modérée.
	AVIS :	(Sans symbole d'alerte de sécurité) Indique les informations jugées importantes sans toutefois représenter un risque de blessure (ex. : messages concernant les dommages matériels).

Certains des symboles ci-dessous peuvent être utilisés sur produit. Veiller à les étudier et à apprendre leur signification. Une interprétation correcte de ces symboles permettra d'utiliser produit plus efficacement et de réduire les risques.

SYMBOLE	NOM	DÉSIGNATION / EXPLICATION
	Symbole d'alerte de sécurité	Indique un risque de blessure potentiel.
	Lire le manuel d'utilisation	Pour réduire les risques de blessures, l'utilisateur doit lire et veiller à bien comprendre le manuel d'utilisation avant d'utiliser ce produit.
	Avertissement concernant l'humidité	Ne pas exposer à la pluie ou l'humidité.
	Intensité d'éclairage extrême	Ce produit utilise des DEL très brillantes. Ne pas diriger l'éclairage vers les yeux ou le visage pour éviter l'aveuglement.
	Symbole de recyclage	Ce produit utilise les piles de lithium-ion (Li-ion). Les réglementations locales ou gouvernementales peuvent interdire de jeter les piles dans les ordures ménagères. Consulter les autorités locales compétentes pour les options de recyclage et/ou l'élimination.
V	Volts	Tension
A	Ampères	Intensité
Hz	Hertz	Fréquence (cycles par seconde)
W	Watt	Alimentation
min	Minutes	Temps
≡	Courant continu	Type ou caractéristique du courant
~	Courant alternatif	Type de courant
	Outil de la classe II	Construction à double isolation

CARACTÉRISTIQUES

FICHE TECHNIQUE

DELs 3 par tête de lumière
Rendement lumineux À plus de 1 500 lumens
Longueur du cordon entre les têtes 3,05 m (10 pi)

Source d'alimentation 18 V c.c.
120 V, c.a. seulement, 60 Hz

ASSEMBLAGE

AVERTISSEMENT :

Ne pas utiliser le produit s'il n'est pas complètement assemblé ou si des pièces semblent manquantes ou endommagées. L'utilisation d'un produit dont l'assemblage est incorrect ou incomplet ou comportant des pièces endommagées ou absentes représente un risque de blessures graves.

AVERTISSEMENT :

Ne pas essayer de modifier cet outil ou de créer des pièces et accessoires non recommandés. De telles altérations ou modifications sont considérées comme un usage abusif et peuvent créer des conditions dangereuses, risquant d'entraîner des blessures graves.

Si des pièces manquent ou sont endommagées, veuillez appeler au 1-800-525-2579 pour obtenir de l'aide. Au Mexique, veuillez composer le numéro 01-800-843-1111.

UTILISATION

AVERTISSEMENT :

Ne pas diriger le faisceau lumineux vers des personnes ou des animaux et ne pas fixer le faisceau (même à bonne distance). Le fait de fixer le faisceau peut causer des blessures graves et même entraîner la perte de la vue.

AVERTISSEMENT :

Ne pas laisser la familiarité avec l'outil faire oublier la prudence. Ne pas oublier qu'une fraction de seconde d'inattention peut entraîner des blessures graves.

AVERTISSEMENT :

Ne pas utiliser d'outils ou accessoires non recommandés par le fabricant pour cet outil. L'utilisation de pièces et accessoires non recommandés peut entraîner des blessures graves.

AVIS :

Ce produit a été conçu pour être alimenté par un bloc-piles de 18 V One+™ de Ryobi™ (mode CC) ou une source d'alimentation électrique (mode CA). L'une des sources d'alimentation peut être utilisée soit par un bloc-piles approuvé ou par le cordon d'alimentation du produit, comme décrit dans ce manuel.

INSTALLATION/RETRAIT DU BLOC-PILES

Voir la figure 1, page 9.

- Insérer la bloc-piles dans le base tel qu'illustré.
- S'assurer que ses deux loquets latéraux s'engagent correctement et vérifier que le bloc-piles est solidement assujéti avant d'utiliser produit.
- Relâcher les loquets pour retirer le bloc-piles.

Pour prendre connaissance de l'ensemble des instructions relatives à la charge, consulter les manuels d'utilisation des blocs-piles et des modèles de chargeur connexes.

AVERTISSEMENT :

Toujours retirer le bloc-piles o cordon prolongateur de le produit au moment d'assembler des pièces, d'effectuer des réglages et de procéder au nettoyage, ou lorsque l'outil n'est pas utilisé. Le fait de retirer la pile o cordon prolongateur permet d'empêcher un démarrage accidentel pouvant entraîner des blessures graves.

APPLICATIONS

Ce produit peut être utilisé pour les applications ci-dessous :

- Pour éclairer les objets et endroits éloignés et dans la pénombre

UTILISATION

INSTALLATION/RETRAIT DU CORDON D'ALIMENTATION (NON INCLUS)

Voir la figure 2, page 9.

- Insérer la partie femelle du cordon d'alimentation dans le base, comme illustré.
- Raccorder la fiche du cordon d'alimentation dans une source d'énergie.
- S'assurer que le cordon d'alimentation est raccordé correctement avant d'allumer le ventilateur.

MISE EN MARCHÉ ET ARRÊT DU LUMIÈRES SUR CORDON

Voir la figure 3, page 9.

Les lumières sur cordon ont quatre modes : élevé, moyen, bas et éteint.

- Raccorder le lumières sur cordon à une source d'énergie CA ou CC.
- Appuyez sur le bouton d'alimentation pour parcourir les différents modes.

ANSE DE FIL ROTATIVE

Voir les figures 4 et 5, page 9.

L'anse de fil peut être placée dans à huit positions différentes autour de la tête de lumière. Utilisez l'anse pour soulever la tête de lumière ou la pincer sur un objet adéquat.

FIXER LA BASE

Voir la figure 6, page 9.

AVERTISSEMENT :

S'assurer que la base est monté suffisamment haut pour empêcher la mise en marche accidentelle de lumières. Une mise en marche accidentelle les lumières peut provoquer des blessures graves.

- Débranchez les lumières de l'alimentation CA ou CC.

- Trouvez un emplacement éloigné de tout objet qui pourrait bloquer les fentes d'aération sur la base.
- Utiliser un niveau afin de s'assurer que le base en position verticale. À l'aide d'un crayon, marquer l'emplacement des vis.
- Installez des vis afin que la distance centrale soit de 79,38 mm (3 1/8 po).
- Placer les parties larges du trous piriformes sur la têtes de les vis.
- Glisser le base vers le bas jusqu'à ce que les vis se trouve dans les parties étroite du trous piriformes.

SUSPENDRE LES LUMIÈRES SUR CORDON

Voir la figure 7 à 9, page 10.

AVERTISSEMENT :

Suspendre seulement les lumières DEL à un endroit où aucun câble électrique, câble de service public, tuyau ou autre obstruction n'est présent. Communiquer avec l'entreprise de service public ou un électricien qualifié en cas de doute. Ne pas suspendre les lumières à aucun câble d'alimentation électrique. S'assurer que les lumières est fermement suspendue afin d'éviter la chute d'objets. Ne pas respecter ces instructions représente un risque de décharge électrique et autres blessures graves.

Pour obtenir la meilleure lumière, nous vous recommandons de fixer les lumières sur cordon à un support supérieur.

Pour fixer les lumières à l'aide des anses :

- Débranchez les lumières de l'alimentation CA ou CC.
- Placez la tête de lumière et tournez l'anse à la position désirée pour la suspendre.
- Suspendez la lumière dans un endroit sécuritaire.

NOTE : Enroulez le cordon qui reste autour des crochets pour cordon fournis, et fixez-le dans les encoches afin qu'il soit hors du chemin.

ENTRETIEN

AVERTISSEMENT :

Utiliser exclusivement des pièces d'origine pour les réparations. L'usage de toute autre pièce pourrait créer une situation dangereuse ou endommager l'produit.

AVERTISSEMENT :

Pour empêcher un démarrage accidentel pouvant entraîner des blessures graves, toujours retirer le bloc-piles ou cordon prolongateur l'produit avant tout nettoyage ou entretien.

ENTRETIEN GÉNÉRAL

Éviter d'utiliser des solvants pour le nettoyage des pièces en plastique. La plupart des matières plastiques peuvent être

endommagées par divers types de solvants du commerce. Utiliser un chiffon propre pour éliminer la saleté, la poussière, l'huile, la graisse, etc.

AVERTISSEMENT :

Ne jamais laisser de liquides tels que le fluide de freins, l'essence, les produits à base de pétrole, les huiles pénétrantes, etc., entrer en contact avec les pièces en plastique. Les produits chimiques peuvent endommager, affaiblir ou détruire le plastique, ce qui peut entraîner des blessures graves.

AVIS :

Les DEL ne sont pas remplaçables. Toute tentative de remplacement des DEL risque d'endommager l'produit.

**NOTE : ILLUSTRATIONS COMMENÇANT SUR
9 DE PAGE APRÈS LA SECTION ESPAGNOL.**

INSTRUCCIONES DE SEGURIDAD IMPORTANTES

¡ADVERTENCIA!

LEA Y GUARDE ESTAS INSTRUCCIONES. El incumplimiento de las instrucciones señaladas abajo puede causar descargas eléctricas, incendios y lesiones corporales serias.

Guarde todas las advertencias e instrucciones para futuras consultas. El término “producto” empleado en todos los avisos de advertencia enumerados abajo se refiere a las herramientas eléctricas de cordón (alámbricas) y de baterías (inalámbricas).

GUARDE ESTAS INSTRUCCIONES ÁREA DE TRABAJO

- **Para uso en tareas livianas en sitios normalmente secos**
- **Mantenga limpia y bien iluminada el área de trabajo.** Una mesa de trabajo mal despejada y una mala iluminación son causas comunes de accidentes.
- **No utilice producto en atmósferas explosivas, como las existentes alrededor de líquidos, gases y polvos inflamables.** Los productos generan chispas que pueden encender el polvo y los vapores inflamables.
- **Mantenga alejados a los niños y circunstancias al maniobrar un producto.** Toda distracción puede causar pérdida del control de la herramienta.

SEGURIDAD ELÉCTRICA

- **Todo producto de baterías, ya sea de baterías integradas o de paquete de baterías separado, debe recargarse únicamente con el cargador especificado para las baterías.** Un cargador que puede ser adecuado para un tipo de baterías puede significar un riesgo de incendio si se emplea con otro tipo de baterías.
- **Cargue las baterías solamente con el cargador indicado.** Para utilizar con paquetes de baterías de iones de litio de 18 V, consulte el folleto de la herramienta/aparato/paquete de baterías/cargador complementario 987000-432.
- **Proteja el cordón eléctrico para evitar que se lo pise o pellizque, especialmente a la altura de las clavijas, de las tomas de corriente y del punto de conexión de salida del aparato.**
- **No exponga las herramientas eléctricas a la lluvia ni a condiciones de humedad.** La introducción de agua en un producto aumenta el riesgo de descargas eléctricas.
- **Únicamente cuelgue o monte la luz con cable en un área donde no haya cables eléctricos, cables de servicios públicos, tuberías, ni otros obstáculos para evitar el riesgo de electrocución o descargas eléctricas**
- **Desenchufe este aparato durante las tormentas eléctricas o cuando no se utilice la máquina.**

SEGURIDAD PERSONAL

- **No estire el cuerpo para alcanzar mayor distancia. Mantenga una postura firme y buen equilibrio en todo momento.** La postura firme y el buen equilibrio permiten un mejor control de la producto en situaciones inesperadas.
- **No utilice la unidad al estar en una escalera o en un soporte inestable.** Una postura estable sobre una superficie sólida permite un mejor control de la producto en situaciones inesperadas.

EMPLEO Y CUIDADO DE LA LUZ CON CABLE

- **No utilice los productos si el interruptor no enciende o no apaga.** Un producto que no puede controlarse con el interruptor es peligroso y debe repararse.
- **Desconecte el paquete de baterías o cordón de extensión antes de efectuar ajustes, de cambiar accesorios o de guardar el producto.** Con tales medidas preventivas de seguridad se reduce el riesgo de poner en marcha accidentalmente el producto.
- **Mantenga el producto y el mango secos, limpios y sin aceite ni grasa.** Siempre utilice un paño limpio para la limpieza de la unidad. Nunca utilice fluidos para frenos, gasolina, productos a base de petróleo ni solventes fuertes para limpiar el producto. Con el cumplimiento de esta regla se reduce el riesgo de una pérdida de control y el deterioro del alojamiento de plástico de la unidad.
- **Para reducir el riesgo de descarga eléctrica, no utilice este producto cerca del agua, especialmente cuando está conectado a través del cable de alimentación.**
- **Limpie sólo con un paño seco.**
- **No instale cerca de fuentes de calor como, por ejemplo, radiadores, rejillas térmicas u otros aparatos que generen calor (entre ellos, amplificadores).**

EMPLEO Y CUIDADO DE LA HERRAMIENTA DE BATERÍAS

- **Sólo cargue el paquete de baterías con el cargador especificado por el fabricante.** Un cargador adecuado para un tipo de paquete de baterías puede significar un riesgo de incendio si se emplea con un paquete de baterías diferente.
- **Utilice las herramientas eléctricas sólo con los paquetes de baterías específicamente indicados.** El empleo de paquetes de baterías diferentes puede presentar un riesgo de incendio.
- **Cuando no esté utilizándose el paquete de baterías, manténgalo lejos de otros objetos metálicos, como clips, monedas, llaves, clavos, tornillos o otros objetos metálicos, pequeños que puedan establecer conexión entre ambas terminales.** Establecer una

INSTRUCCIONES DE SEGURIDAD IMPORTANTES

conexión directa entre las dos terminales de las baterías puede causar quemaduras o incendios.

- **Si se maltratan las baterías, puede derramarse líquido de las mismas; evite todo contacto con éste. En caso de contacto, lávese con agua. Si el líquido llega a tocar los ojos, además busque atención médica.** El líquido de las baterías puede causar irritación y quemaduras.

SERVICIO

- **El servicio del producto sólo debe ser efectuado por personal de reparación calificado.** Todo servicio o mantenimiento efectuado por personal no calificado puede significar un riesgo de lesiones.
- **Al dar servicio a un producto, sólo utilice piezas de repuesto idénticas. Siga las instrucciones señaladas en la sección Mantenimiento de este manual.** El empleo de piezas no autorizadas o el incumplimiento de las instrucciones de mantenimiento puede significar un riesgo de descarga eléctrica o de lesiones.

ADVERTENCIAS DE SEGURIDAD PARA LUZ CON CABLE

- **Familiarícese con su producto eléctrico. Lea cuidadosamente el manual del operador. Aprenda sus usos y limitaciones, así como los posibles peligros específicos de este producto.** Con el cumplimiento de esta regla se reduce el riesgo de una descarga eléctrica, incendio o lesión seria.
- **No permita que los niños usen la panel de luz.** No es un juguete.
- **Ubique el cable de alimentación con cuidado durante el uso.** Si el cable de alimentación se interpone en su camino, corre el riesgo de tropezarse.
- **No coloque las manos o los dedos entre la cabeza ajustable y el configurador de posiciones cuando ubique la cabeza de luz para evitar posibles pellizcos.**
- **Las herramientas de baterías no se necesitan conectar a una toma de corriente; por lo tanto, siempre están en condiciones de funcionamiento.** Esté consciente de los posibles peligros cuando no esté usando la herramienta de baterías o cuando esté cambiando los accesorios de la misma. Con el cumplimiento de esta regla se reduce el riesgo de una descarga eléctrica, incendio o lesión corporal seria.
- **No coloque productos de baterías ni las baterías mismas cerca del fuego o del calor.** De esta manera se reduce el riesgo de explosiones y de lesiones.
- **No aplaste, deje caer o dañe el paquete de baterías. No utilice el paquete de baterías ni el cargador si han sufrido una caída o un golpe contundente.** Las baterías dañadas pueden sufrir explosiones. Deseche de inmediato toda batería que haya sufrido una caída o que haya sido dañada.
- **Las baterías pueden explotar en presencia de una fuente de inflamación, como una luz guía.** Para reducir el riesgo de lesiones corporales serias, nunca use un

producto inalámbrico en presencia de llamas expuestas. La explosión de una batería puede lanzar fragmentos y compuestos químicos. Si ha quedado expuesto a la explosión de una batería, lávese de inmediato con agua.

- **No cargue producto de baterías en lugares mojados o húmedos.** Con el cumplimiento de esta regla se reduce el riesgo de una descarga eléctrica.
- **Para obtener resultados óptimos, debe cargar la baterías en un lugar donde la temperatura esté entre 10° y 38° C (50° y 100° F). No guarde el producto a la intemperie ni en el interior de vehículos.**
- **En condiciones extremas de uso o temperatura las baterías pueden emanar líquido. Si el líquido llega a tocarle la piel, lávese de inmediato con agua y jabón. Si le entra líquido en los ojos, láveselos con agua limpia por lo menos 10 minutos, y después busque de inmediato atención médica.** Con el cumplimiento de esta regla se reduce el riesgo de lesiones serias.
- **No incinere las baterías, incluso si está dañado seriamente.** Las baterías pueden estallar e incendiarse.
- **Para reducir el riesgo de incendio o descarga eléctrica, no utilice este producto con ningún dispositivo de control de velocidad de estado sólido.**
- **Para reducir el riesgo de lesión personal y descarga eléctrica, el producto no debe usarse o colocarse al alcance de niños pequeños.**
- **Para reducir el riesgo de descarga eléctrica, no lo exponga a la lluvia o al agua.**
- **Guarde estas instrucciones.** Consúltelas con frecuencia y empléelas para instruir a otras personas que puedan utilizar esta herramienta. Si presta a alguien esta herramienta, facilítele también las instrucciones con el fin de evitar un uso indebido del producto y posibles lesiones.

ASPECTOS ELÉCTRICOS

DOBLE AISLAMIENTO

El doble aislamiento es una característica de seguridad de las productos eléctricas, la cual elimina la necesidad de usar el típico cordón eléctrico de tres conductores con conexión a tierra. Todas las partes metálicas expuestas están aisladas de los componentes metálicos internos por medio de aislamiento de protección. No es necesario conectar a tierra las productos con doble aislamiento.



ADVERTENCIA:

El sistema de doble aislamiento está destinado para proteger al usuario contra las descargas eléctricas resultantes de la ruptura del cableado interno de la producto. Observe todas las precauciones de seguridad para evitar descargas eléctricas.

NOTA: El mantenimiento de una producto con doble aislamiento requiere sumo cuidado y conocimiento del sistema, y únicamente deben realizarlo técnicos de servicio calificados. Para el servicio de la producto, le sugerimos llevarla al centro de servicio autorizado más cercano para toda reparación. Siempre utilice piezas de repuesto de la fábrica original al dar servicio a la unidad.

CONEXIÓN ELÉCTRICA

Este es un producto híbrido que funciona con corriente alterna (CA) mediante un cable de extensión o corriente continua (CC) mediante un paquete de baterías. Si el producto no funciona al instalar un cable de extensión o un paquete de baterías, vuelva a verificar la fuente de alimentación.

- Para usar corriente alterna, conecte el producto a una **fuentes de alimentación de 120 V, CA solamente (corriente utilizada comúnmente en los hogares) y 60 Hz.**
- Para usar corriente continua, instale **solo un paquete de baterías de 18 V recomendado por el fabricante.**

NOTA: No use el producto con corriente continua con un cable de extensión. Si lo hace, podría haber una caída importante de tensión, que causará la pérdida de alimentación y que el producto se sobrecaliente.

CORDONES DE EXTENSIÓN

Al utilizar una producto eléctrica a una distancia considerable de la fuente de voltaje, asegúrese de utilizar un cordón de extensión con la suficiente capacidad para soportar la corriente de consumo de la producto. Un cordón de un calibre insuficiente causa una caída en el voltaje de línea, la cual

a su vez produce recalentamiento y pérdida de potencia. Básese en la tabla suministrada para determinar el grueso mínimo requerido del cordón de extensión. Solamente deben utilizarse cordones con forro redondo registrados en Underwriter's Laboratories (UL).

Al trabajar a la intemperie con una producto, utilice un cordón de extensión fabricado para uso en el exterior. Este tipo de cordón lleva las letras "WA" o "W" en el forro.

Antes de utilizar un cordón de extensión, inspecciónelo para ver si tiene conductores flojos o expuestos y aislamiento cortado o gastado.

**Amperaje (aparece en la placa de datos de la producto)

Longitud del cordón	Calibre conductores (A.W.G.)					
	0-2,0	2,1-3,4	3,5-5,0	5,1-7,0	7,1-12,0	12,1-16,0
25'	16	16	16	16	14	14
50'	16	16	16	14	14	12
100'	16	16	14	12	10	—

**Se usa en los circuitos de calibre 12, de 20 amperes.

NOTA: AWG = Calibre conductores norma americana



ADVERTENCIA:

Mantenga el cordón de extensión fuera del área de trabajo. Al trabajar con una producto eléctrica, coloque el cordón de tal manera que no pueda enredarse en la madera, productos ni en otras obstrucciones. La inobservancia de esta advertencia puede causar lesiones serias.






ADVERTENCIA:







Inspeccione los cordones de extensión cada vez antes de usarlos. Si están dañados reemplácelos de inmediato. Nunca utilice la producto con un cordón dañado, ya que si toca la parte dañada puede producirse una descarga eléctrica, y las consecuentes lesiones serias.

SÍMBOLOS

Las siguientes palabras de señalización y sus significados tienen el objeto de explicar los niveles de riesgo relacionados con este producto.

SÍMBOLO	SEÑAL	SIGNIFICADO
	PELIGRO:	Indica una situación peligrosa inminente, la cual, si no se evita, causará la muerte o lesiones serias.
	ADVERTENCIA:	Indica una situación peligrosa posible, la cual, si no se evita, podría causar la muerte o lesiones serias.
	PRECAUCIÓN:	Indica una situación peligrosa posible, la cual, si no se evita, podría causar lesiones menores o leves.
	AVISO:	(Sin el símbolo de alerta de seguridad) Indica la información que se considera importante, pero no relacionada con lesiones potenciales (por ej. en relación a daños a la propiedad).

Es posible que se empleen en este producto algunos de los siguientes símbolos. Le suplicamos estudiarlos y aprender su significado. Una correcta interpretación de estos símbolos le permitirá utilizar mejor y de manera más segura el producto.

SÍMBOLO	NOMBRE	DENOMINACIÓN/EXPLICACIÓN
	Alerta de seguridad	Indica un peligro posible de lesiones personales.
	Lea el manual del operador	Para reducir el riesgo de lesiones, el usuario debe leer y comprender el manual del operador antes de usar este producto.
	Alerta de condiciones húmedas	No exponga la unidad a la lluvia ni la use en lugares húmedos.
	Símbolo de reciclado	Este producto utiliza baterías de iones de litio (Li-ion). Es posible que algunas leyes municipales, estatales o federales prohíban desechar las baterías en la basura normal. Consulte a las autoridades reguladoras de desechos para obtener información en relación con las alternativas de reciclado y desecho disponibles.
	Luz sumamente brillante	Este producto utiliza luces LED sumamente brillantes. Para evitar lesiones serias a la vista, no dirija la luz directamente hacia los ojos o cara.
V	Voltios	Voltaje
A	Amperios	Corriente
Hz	Hertz	Frecuencia (ciclos por segundo)
W	Watts	Potencia
min	Minutos	Tiempo
==	Corriente continua	Tipo o característica de corriente
~	Corriente alterna	Tipo de corriente
	Fabricación Clase II	Fabricación con doble aislamiento

CARACTERÍSTICAS

ESPECIFICACIONES DEL PRODUCTO

LED.....	3 por cabeza de luz	Tiempo de funcionamiento.....	18 V, corr. cont.
Salida de luz.....	Más del 1500 lúmenes		120 V, sólo corr. alt., 60 Hz
Extensión del cable entre cabezas.....	3,05 m (10 pies)		

ARMADO

ADVERTENCIA:

No use este producto si no está totalmente ensamblado o si alguna pieza falta o está dañada. El uso de un producto que no está adecuadamente y completamente ensamblado o posee partes dañadas o faltantes puede resultar en lesiones personales graves.

ADVERTENCIA:

No intente modificar este producto ni crear aditamentos o accesorios que no estén recomendados para usar con este producto. Dichas alteraciones o modificaciones constituyen un uso indebido y podrían provocar una situación de riesgo que cause posibles lesiones personales graves.

Si hay piezas dañadas o faltantes, le suplicamos llamar al 1-800-525-2579, donde le brindaremos asistencia. En México, llame al 01-800-843-1111.

FUNCIONAMIENTO

ADVERTENCIA:

No apunte el rayo de luz a personas o animales y evite mirar de frente el rayo de luz (aunque se encuentre lejos). Mirar de frente el rayo de luz puede causar lesiones graves o pérdida de la visión.

ADVERTENCIA:

No permita que su familiarización con los productos lo vuelva descuidado. Tenga presente que un descuido de un instante es suficiente para causar una lesión grave.

ADVERTENCIA:

No utilice ningún aditamento o accesorio no recomendado por el fabricante de esta producto. El empleo de aditamentos o accesorios no recomendados podría causar lesiones serias.

AVISO:

Este producto está diseñado para ser alimentado con un paquete de baterías Ryobi™ One+™ 18 V (modo CC) o mediante alimentación eléctrica (modo CA). Puede utilizarse cualquier fuente de alimentación instalando un paquete de baterías aprobado o un cable de alimentación dentro del producto, como se describe en este manual.

INSTALACIÓN/DESMONTAR DEL PAQUETE DE BATERÍAS

Vea la figura 1, página 9.

- Coloque el paquete de baterías en el base como se muestra.
- Asegúrese de que los pestillos situados en ambos lados del paquete de baterías se deslicen completamente en su lugar y de que el paquete quede bien fijo en el producto antes de empezar a utilizarlo.
- Oprima los pestillos para extraer el paquete de baterías. Para ver las instrucciones de carga completas, consulte los manuales del operador del paquete de baterías y los modelos de cargador.

USOS

Este producto puede emplearse para los fines siguientes:

- Para iluminar objetos distantes todas las áreas que requieran luz adicional

FUNCIONAMIENTO

ADVERTENCIA:

Retire siempre el paquete de baterías o cordón de extensión del producto antes de instalar las piezas, realizar ajustes, limpiarla o cuando no la utilice. Retirar el paquete de baterías o cordón de extensión evitará que la unidad se accione accidentalmente y provoque lesiones graves.

INSTALACIÓN/DESMONTAR DEL CABLE DE ALIMENTACIÓN (NO INCLUIDA)

Vea la figura 2, página 9.

- Inserte el extremo hembra del cable de alimentación dentro de la base como se muestra.
- Conecte el extremo macho del cable de alimentación a la fuente de alimentación.
- Asegúrese de que el cable de alimentación esté asegurado antes de comenzar con el funcionamiento.

ENCENDIDO Y APAGADO DE LUZ CON CABLE

Vea la figura 3, página 9.

La luz con cable tiene 4 configuraciones: alta, media, baja y apagada.

- Conecte el luz con cable a una fuente de alimentación CA o CC.
- Presione el botón de encendido para alternar entre los modos alto, medio, bajo y apagado.

ROTACIÓN DEL CONFIGURADOR DE POSICIONES

Vea las figuras 4 y 5, página 9.

El configurador de posiciones puede rotarse a ocho posiciones diferentes en la cabeza de luz. Use el configurador para levantar la cabeza de luz o apuntarla a un objeto en particular.

MONTAJE DE LA BASE

Vea la figura 6, página 9.

ADVERTENCIA:

Asegúrese de montar la base suficientemente alto como para evitar una activación no autorizada de las luces. La activación no autorizada las luces puede provocar lesiones personales graves.

- Desconecte la unidad del suministro de alimentación CA o CC.
- Busque la ubicación deseada lejos de objetos que pudieran bloquear la ventilación de la base.
- Utilice un nivel para asegurarse de que la base se encuentre en posición vertical. Con un lápiz, marque la ubicación del orificio del tornillo.
- Coloque tornillos con una distancia del centro de 79,38 mm (3-1/8 pulg.).
- Coloque las partes anchas de los orificios sobre las cabezas de los tornillos.
- Deslice la base hacia abajo hasta que los tornillos queden adentro de las porciones estrechas de los orificios.

COLGAR LAS LUCES CON CABLE

Vea las figuras 7 a 9, página 10.

ADVERTENCIA:

Únicamente cuelgue las luces LED en un área donde no haya cables eléctricos, cables de servicios públicos, tuberías, ni otros obstáculos. Comuníquese con su compañía local de servicios públicos o con un electricista calificado si no está seguro. No cuelgue las luces de ningún cable eléctrico. Asegúrese de que las luces estén colgadas en forma segura para evitar riesgos por objetos que puedan caer. Si no sigue estas instrucciones puede provocar electrocución, descargas eléctricas u otras lesiones personales graves.

Para obtener la mejor iluminación posible, recomendamos asegurar las luces con cable a un soporte.

Para montar las luces utilizando los configuradores:

- Desconecte la unidad del suministro de alimentación CA o CC.
- Coloque la cabeza de luz y gire el configurador a la posición deseada.
- Cuelgue la luz en una ubicación segura.

NOTA: Envuelva cable en exceso en los ganchos de cable suministrados y sujételo con las muescas para quitarlo de lado.

MANTENIMIENTO

 **ADVERTENCIA:**

Al dar servicio a la unidad, sólo utilice piezas de repuesto idénticas. El empleo de piezas diferentes puede causar un peligro o dañar el producto.

 **ADVERTENCIA:**

Para evitar lesiones corporales serias, siempre retire el paquete de baterías o cordón de extensión de la herramienta al limpiarla o darle mantenimiento.

MANTENIMIENTO GENERAL

Evite el empleo de solventes al limpiar piezas de plástico. La mayoría de los plásticos son susceptibles a diferentes tipos de solventes comerciales y pueden resultar dañados.

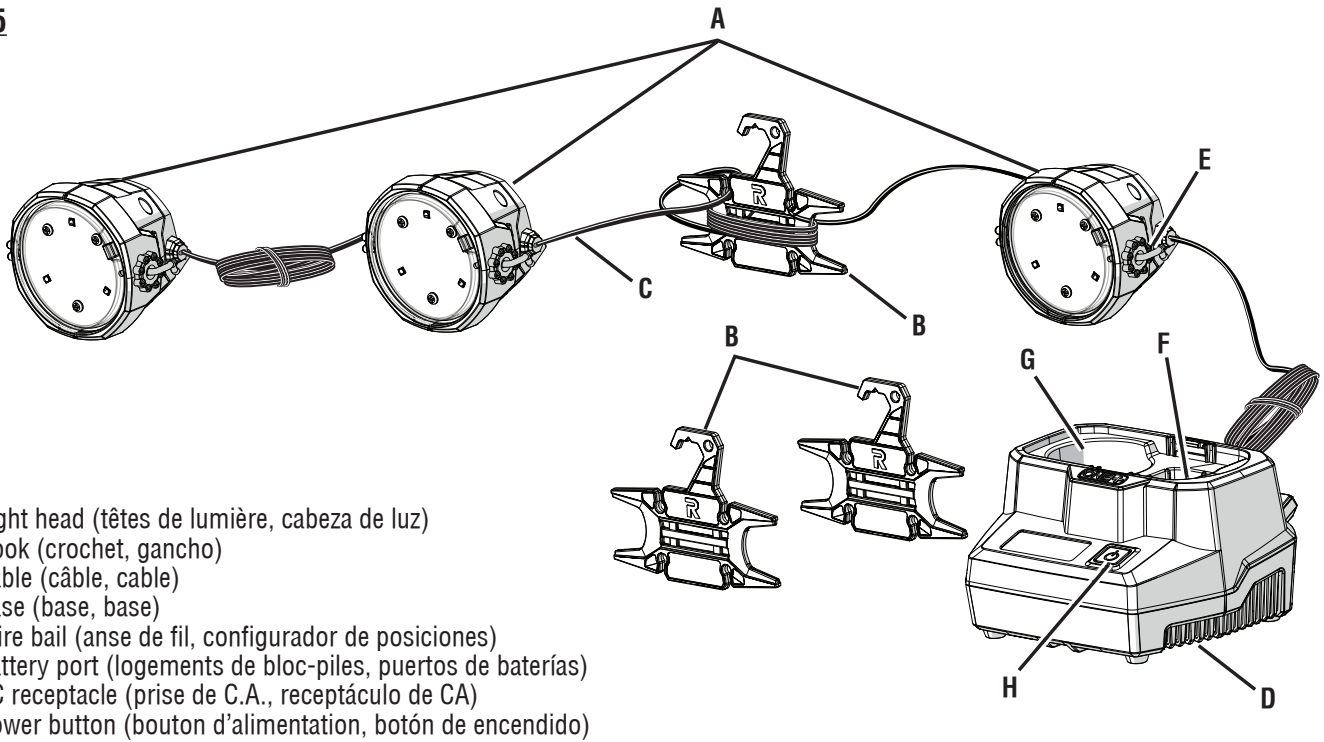
Utilice paños limpios para eliminar la suciedad, el polvo, el aceite, la grasa, etc.

 **ADVERTENCIA:**

No permita en ningún momento que fluidos para frenos, gasolina, productos a base de petróleo, aceites penetrantes, etc., lleguen a tocar las piezas de plástico. Las sustancias químicas pueden dañar, debilitar o destruir el plástico, lo cual a su vez puede producir lesiones corporales serias.

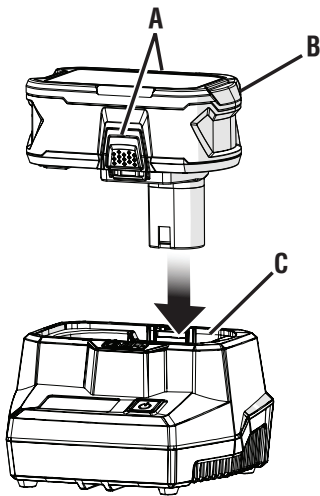
AVISO:

No se pueden reemplazar los LED. Si se intenta reemplazar los LED, el reflector puede dañarse.



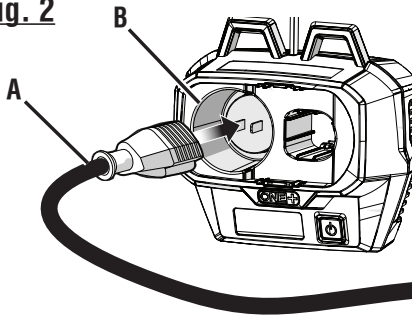
- A - Light head (têtes de lumière, cabeza de luz)
- B - Hook (crochet, gancho)
- C - Cable (câble, cable)
- D - Base (base, base)
- E - Wire bail (anse de fil, configurador de posiciones)
- F - Battery port (logements de bloc-piles, puertos de baterías)
- G - AC receptacle (prise de C.A., receptáculo de CA)
- H - Power button (bouton d'alimentation, botón de encendido)

Fig. 1



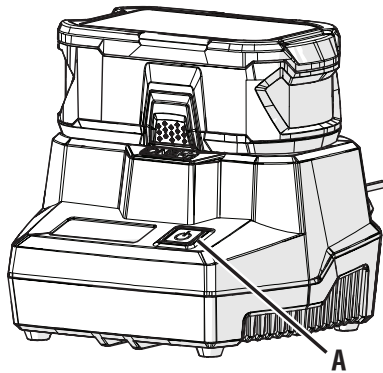
- A - Latches (loquets, pestillos)
- B - Battery pack (bloc-piles, baterías)
- C - Battery port (logements de bloc-piles, puertos de baterías)

Fig. 2



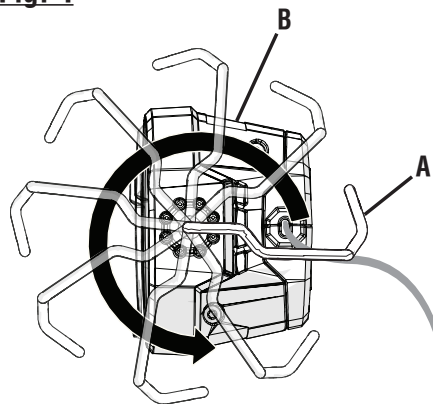
- A - Power cord (cordon d'alimentation, cordón de corriente)
- B - AC receptacle (prise de C.A., receptáculo de CA)

Fig. 3



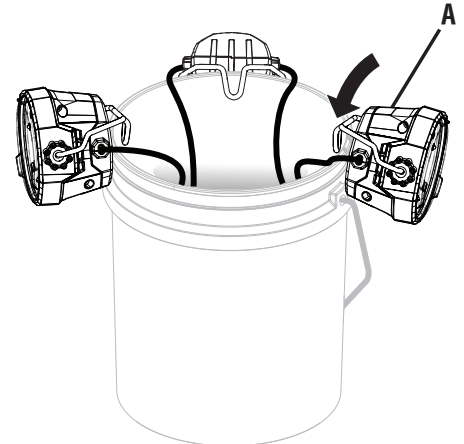
- A - Power button (bouton d'alimentation, botón de encendido)

Fig. 4



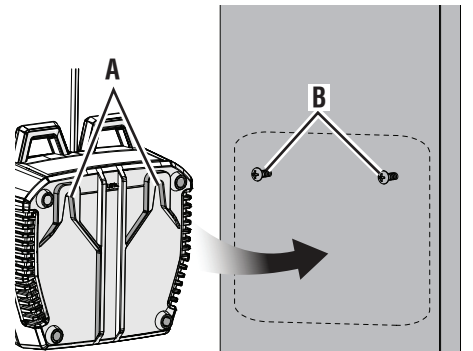
- A - Wire bail (anse de fil, configurador de posiciones)
- B - Light head (têtes de lumière, cabeza de luz)

Fig. 5



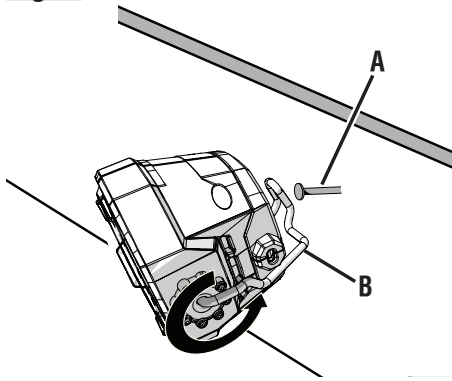
- A - Light head (têtes de lumière, cabeza de luz)

Fig. 6



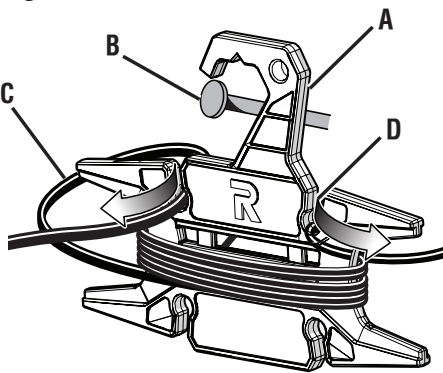
- A - Key holes (trous clé, agujeros para las llaves)
- B - Screws (vis, tornillos)

Fig. 7



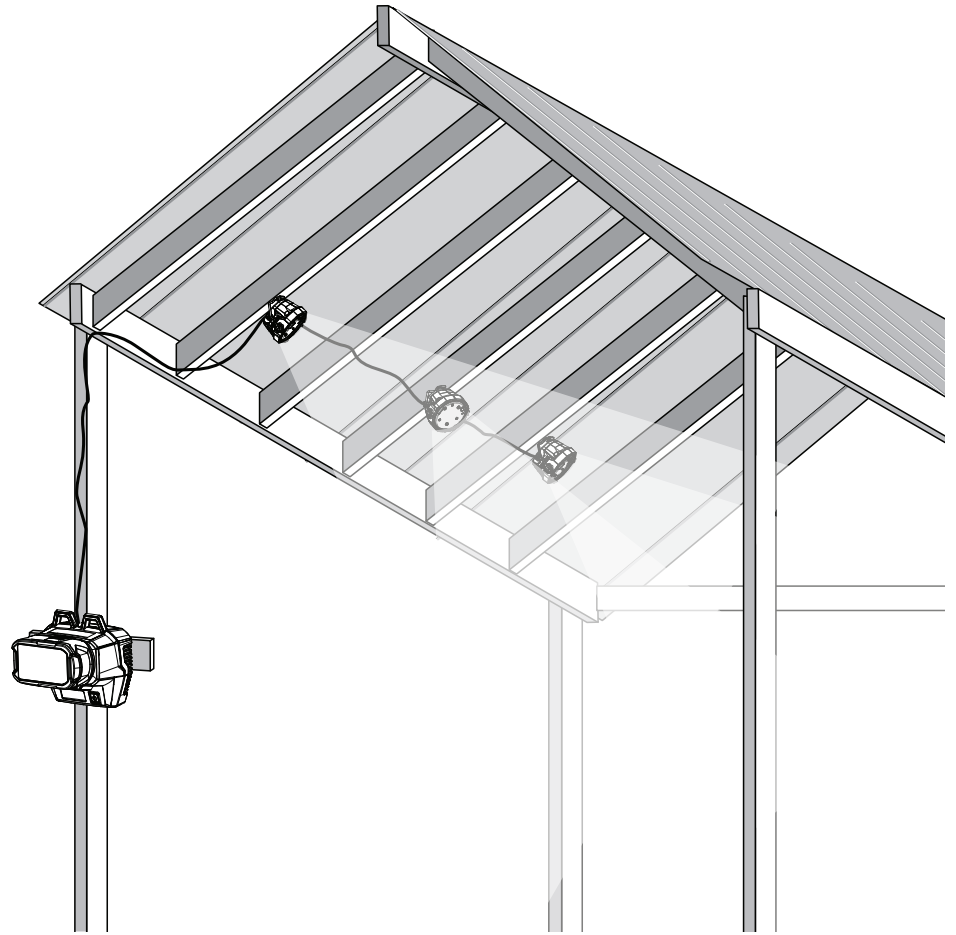
- A - Nail (clous, clavo)
B - Wire bail (anse de fil, configurador de posiciones)

Fig. 8



- A - Hook (crochet, gancho)
B - Nail (clous, clavo)
C - Cable (câble, cable)
D - Notch (encoche, muesca)

Fig. 9





OPERATOR'S MANUAL 18 VOLT HYBRID LED CABLE LIGHT
MANUEL D'UTILISATION
LUMIÈRES SUR CORDON À DEL HYBRIDE DE 18 V
MANUAL DEL OPERADOR
LUZ LED CON CABLE HÍBRIDA DE 18 V
P785

To request service, purchase replacement parts,
locate an Authorized Service Center and obtain Customer or Technical Support:

Visit **www.ryobitools.com** or call **1-800-525-2579**

If any parts or accessories are damaged or missing,
do not return this product to the store. Call **1-800-525-2579** for immediate service.

Please obtain your model and serial number from the product data plate.
This product is covered under a 3-year limited Warranty. Proof of purchase is required.

MODEL NUMBER _____ SERIAL NUMBER _____

RYOBI is a registered trademark of Ryobi Limited and is used pursuant to a license granted by Ryobi Limited.

Pour faire une demande de réparations ou obtenir des pièces de rechange, trouver un
Centre de réparations agréé pour obtenir un soutien technique ou le Service à la clientèle :

Visiter **www.ryobitools.com** ou en téléphonant au **1-800-525-2579**

Si des pièces ou accessoires sont manquantes ou endommagées, ne pas retourner
ce produit au magasin. Appeler immédiatement au **1-800-525-2579** pour obtenir de l'aide.

Inscrire les numéros de modèle et de série inscrits sur la plaque d'identification du produit.
Ce produit est couvert par une garantie limitée de trois (3) ans. Une preuve d'achat est exigée.

NUMÉRO DE MODÈLE _____ NUMÉRO DE SÉRIE _____

RYOBI est une marque déposée de Ryobi Limited et est utilisée en vertu d'une licence accordée par Ryobi Limited.

Para obtener servicio, comprar piezas de repuesto, localizar un centro de servicio autorizado
y obtener Servicio o Asistencia Técnica al Consumidor:

Visite **www.ryobitools.com** (en la EE.UU.) o **www.ryobitools.mx** (en México)
o llame al **1-800-525-2579** (en la EE.UU.) o **01-800-843-1111** (en México).

Si hay alguna pieza o accesorios dañada o faltante, no devuelva este producto a la tienda.
Llame al **1-800-525-2579** (en la EE.UU.) o **01-800-843-1111** (en México) para servicio técnico inmediato.

Obtenga su modelo y número de serie de la placa de datos del producto.
Este producto está cubierto con una garantía limitada de 3 años. Se solicita prueba de la compra.

NÚMERO DE MODELO _____ NÚMERO DE SERIE _____

RYOBI es una marca registrada de Ryobi Limited y se utiliza conforme a una licencia otorgada por Ryobi Limited.

ONE WORLD TECHNOLOGIES, INC.

1428 Pearman Dairy Road, Anderson, SC 29625 • Phone 1-800-525-2579
États-Unis, Téléphone 1-800-525-2579 • USA, Teléfono 1-800-525-2579

www.ryobitools.com