

# *Channel Master*<sup>®</sup>

UHF Performance  
antenna series

## USER GUIDE

GUÍA PARA EL  
USUARIO

MODE  
D'EMPLOI

CM-4220HD

CM-4221HD

CM-4220MHD

CM-4228HD



## Table of Contents

Product Overview .....	3
Package Contents and Accessories .....	3
Danger Information .....	4
Installation Instructions	
CM-4220HD .....	6
CM-4220MHD .....	6
CM-4221HD .....	6
CM-4228HD .....	8
Mounting Instructions (CM-4220MHD) .....	10
Operating Instructions .....	11
Technical Data .....	11
Product Return Policy and Warranty .....	12

## Índice

Perspectiva General del Producto .....	14
Contenido del Paquete y Accesorios .....	14
Información Sobre Peligros .....	15
Instrucciones de Instalación	
CM-4220HD .....	17
CM-4220MHD .....	17
CM-4221HD .....	17
CM-4228HD .....	19
Instrucciones de Montaje (CM-4220MHD) .....	20
Instrucciones de Operación .....	22
Datos Técnicos .....	22
Garantía y Póliza Para la Devolución del Producto .....	23

## Index

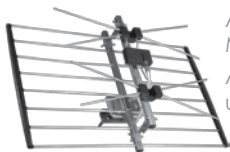
Présentation du Produit .....	26
Contenu et Accessoires de L'emballage .....	26
Conseils de Sécurité .....	27
Instructions D'installation	
CM-4220HD .....	29
CM-4220MHD .....	29
CM-4221HD .....	29
CM-4228HD .....	31
Instructions de Montage (CM-4220MHD) .....	32
Mode D'emploi .....	34
Données Techniques .....	34
Politique de Reprise de Marchandise et Garantie .....	35

## CM-4220HD

### METROtenna- Suburban/Metro Range 2-Bay Antenna

Antena de Bahía Doble con Rango  
Metro/Suburbano

Antenne à 2 baies à rayon suburbain/  
urbain



## METROtenna- Suburban/Metro Range 2-Bay Antenna

Antena de Bahía Doble con Rango  
Metro/Suburbano

Antenne à 2 baies à rayon suburbain/  
urbain

## CM-4220MHD



## CM-4221HD

### ULTRAtenna- Suburban/Metro Range 4-Bay Antenna

Antena de 4 Bahías de Rango Metro/  
Suburbano

Antenne à 4 baies à rayon suburbain/  
urbain

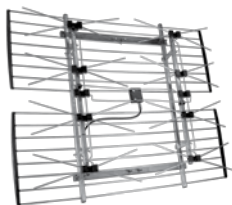


## Fringe/Deep Fringe 8-Bay Antenna

Antena de 8 bahías periférica/periférica  
profunda

Antenne à 8 baies périphérique/péri  
phérique puissante

## CM-4228HD



UHF Performance  
antenna series

## Product Overview

All Channel Master UHF Performance Series Outdoor Antennas are engineered to be easy to install, and have been optimized for receiving the highest quality UHF HDTV signals available. The modern design makes it easy to simply unfold the antenna, mount it, connect it, and you're ready to go! Attention to detail has been taken into consideration; every piece is smooth and machined to ensure a safe, trouble-free installation. Every antenna is made of the finest components to exceed consumer expectations. That means peace of mind for years to come.

## Product Features

- Designed and tested for high quality HDTV digital and UHF reception
- Easy installation - Unfold, mount, and connect
- Long lasting, durable design:
  - Heavy duty aluminum elements
  - UV stabilized plastics
  - 75 Ohm PC balun built into antenna
- Easily mounts to a traditional antenna mast
  - CM4220MHD includes a high quality mount making an installation convenient and effortless
- Rooftop, eave, or wall mountable
- Transparent design

## Package Contents and Accessories

### CM-4220HD

1. Hardware Kit

### CM-4220MHD

1. Hardware Kit

2. "J" Mount

### CM-4221HD

1. Hardware Kit

### CM-4228HD

1. Hardware Kit

# DANGER

## WATCH FOR WIRES!



**You can be KILLED if this antenna comes near electric power lines!**



**READ INSTRUCTIONS**



## WARNING AND SAFETY INFORMATION

Please read this user's manual before operating this product. The information contained in this document is subject to change without notice. Features or specifications may be different depending on the type of product model purchased.

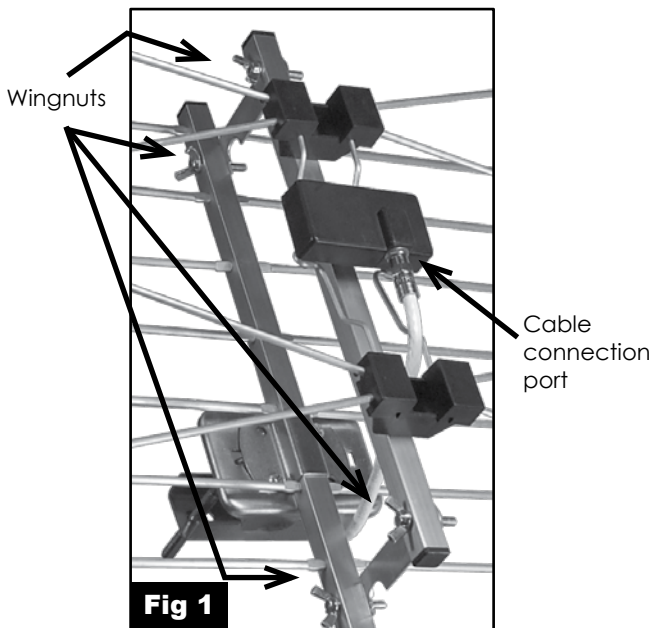
## Follow These Procedures for the Safest Installation

1. Perform as much antenna assembly on the ground as possible.
2. Watch out for overhead power lines. Check the distance to the power lines before you start installing. **WE RECOMMEND YOU STAY A MINIMUM OF TWICE THE MAXIMUM LENGTH OF THE ANTENNA ASSEMBLY AWAY FROM ALL POWER LINES.**
3. Do not use a metal ladder.
4. Remember, even the slightest touch of an antenna to a power line can cause a fatal shock.
5. Do NOT try to do the job on a windy day.
6. Have a friend as a spotter when you're on the roof. They can see things you can't.
7. If you start to drop an antenna, move away from it and let it fall.
8. If any part of the antenna should come into contact with a power line **CALL YOUR LOCAL POWER COMPANY! DO NOT TRY TO REMOVE IT YOURSELF!** They will remove it safely.
9. Mast, lead-in, and metal guy wires are excellent conductors of electrical current - - keep them away from power lines too.
10. Be sure your family and friends understand the danger of touching an overhead power line. Tell them never to try to remove any object in contact with a power line (TV antenna, mast or anything else).
11. Make sure that the antenna mast assembly is properly grounded.  
For more information, visit [www.channelmaster.com/support](http://www.channelmaster.com/support).

# CM-4220HD, CM-4220MHD, CM4221HD

## Installation Instructions:

1. Identify the direction of the desired TV stations transmitter by using [www.antennaweb.org](http://www.antennaweb.org).
2. Fold antenna front section out and tighten 4 wing nuts as shown in **Fig 1**. Make sure the front section is aligned straight with respect to the reflector grid and the 4 wing nuts are securely tightened.





3. Attach mounting hardware (**Fig 2 and 3**) to middle of antenna grid as shown in **Fig 4**. Make sure the U-bolt is placed between the 2 bracket clamps before attaching using the 2 screws.
  4. Mount antenna to mast as shown in **Fig 4**.
  5. Connect coaxial cable to antenna cable connection port shown in **Fig 1**. Secure cable to the mast with a cable tie to prevent strain on the cable connector.
  6. Point the front of the antenna toward the TV transmitter location and adjust for best reception.
- NOTE:** The front of the antenna is the side with the X shaped elements.
7. Tighten all loose hardware.



Included Hardware



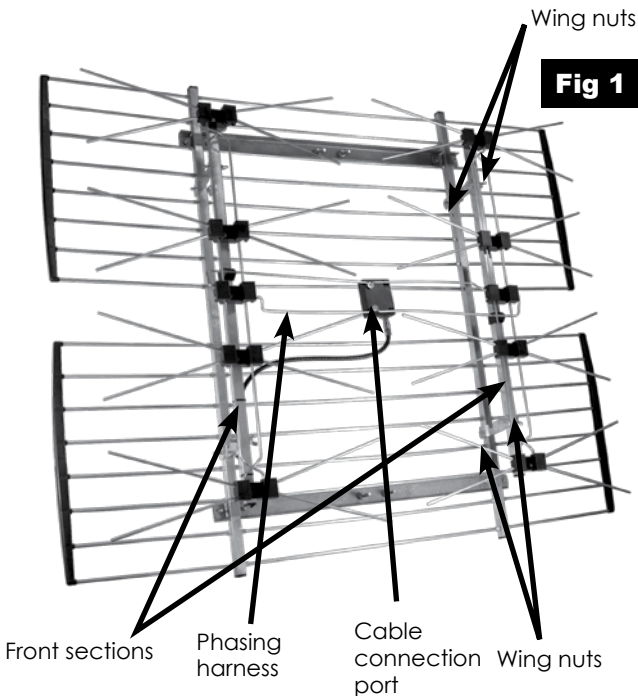
U-bolt must be thru bracket before assembling to antenna



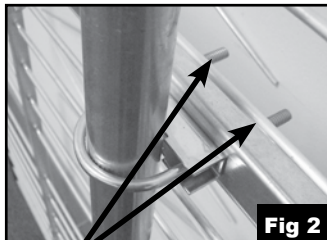
**Fig 4**

## CM-4228HD Installation Instructions:

1. Identify the direction of the desired TV stations transmitter by using [www.antennaweb.org](http://www.antennaweb.org).
2. Fold out the 2 front sections of the antenna making sure to fold out the right and left sections simultaneously to ensure that stress is not put onto the phasing harness. Make sure that the front sections are straight and parallel with respect to the reflector grid and securely tighten the 8 wing nuts (See Fig 1).



- Attach the mounting hardware to the antenna as shown in **Fig 2**.



U-bolt must be secured with bolts thru antenna.



Included Hardware

- Mount antenna to mast as shown.
- Connect coaxial cable to antenna cable connection port. Secure cable to the mast with a cable tie to prevent strain on the cable connector.
- Point the front of the antenna toward the TV transmitter location and adjust for best reception.

**NOTE:** The front of the antenna is the side with the X shaped elements.

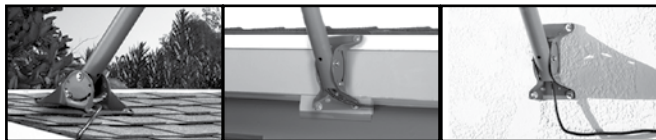
- Tighten all loose hardware.

## CM-4220MHD Mounting Instructions:

1. Assemble mast bolts with hex flange nut loose enough to allow movement in curved slot without damaging the painted surface (on each side) (**see Fig A**). Once proper alignment is determined, tighten flange nuts.
2. With the provided lag bolts, secure the DBS mount so that the antenna can be pointed towards the TV transmitters with clearance from obstructions to allow for adjusting. Secure at least 2 lag bolts into a stud.
3. Mount the antenna per the 4220HD and 4221HD instructions on **page 7**.
4. Tighten all loose hardware.

**NOTE:** Use proper hardware for brick or masonry installations.

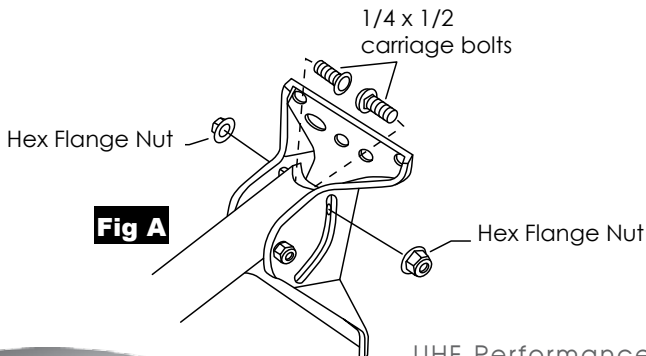
Use sealant for roof mounts to prevent leaks.



Roof

Eave

Wall



**Fig A**

UHF Performance  
antenna series

## Operating Instructions:

For best reception, please consider the following conditions:

1. Keep the antenna away from sources of interference, including air conditioners, microwave ovens, hair dryers, etc. These are all sources of strong electrical interference, and can cause poor quality or total loss of TV signals.
2. Place the antenna near a window, preferably on the side of the house facing the TV station transmitters, when installing the antenna indoors.
3. Install the antenna as high as possible, and preferably with a clear path between the antenna and the TV station transmitters. Trees, buildings, mountains, etc., can all impact the performance of any antenna.

## Features and Technical Data for the UHF Performance Antenna Series

- Designed for reception of HD digital TV signals
- Frequency Range: 470-700 MHz
- Impedance: 75Ω
- Gain:

### **CM4220HD/CM4220MHD**

Average Gain, UHF: 8 dB

Number of Elements: 8

### **CM4228HD**

Average Gain, UHF: 12 dB

Number of Elements: 32

### **CM4221HD**

Average Gain, UHF: 10.2 dB

Number of Elements: 16

# Product Return Policy and Warranty

**WARRANTY PERIOD:** 90-day warranty applies to all Channel Master Products (Some products have extended term warranty periods). **DEALERS & CONSUMERS:** Dealers and consumers can return any In-Warranty Channel Master product to the Warranty department for repair or replacement. For In-Warranty service the consumer or dealer must call Technical Service and request an RMA number in order to return the product. The returned product must have the RMA number visible on the box and must include the bill of sale showing the unit is within the warranty period. If the unit is found to be defective under our Warranty Policy Channel Master will repair or replace the item at no charge. Products outside of the warranty period should not be returned to Channel Master with the exception of any product requested by Technical Support to be assessed for quality assurance purposes. **Technical Service:** [www.channelmaster.com/support](http://www.channelmaster.com/support)

**WARRANTY GENERAL TERMS:** **1.1** Subject to the provisions of this Warranty, CHANNEL MASTER warrants that the equipment and software described in Paragraph 1.2 will conform to our specifications in all material respect and that the equipment will be free from material defects in materials and workmanship during the Limited Warranty period. **1.2** This Warranty applies to all original purchases by Customers of CHANNEL MASTER ("Equipment"). The warranties set forth herein are not transferable. **1.3** The Effective period of this Warranty will start on the date of purchase of the Equipment or the date of installation by a CHANNEL MASTER approved technician and will end, for the Equipment, ninety (90) days later (for all component parts and system upgrades), unless otherwise expressed or provided herein (in each case the "Warranty Period").

**RETURN OF EQUIPMENT UNDER WARRANTY:** **2.1** If an item of Equipment malfunctions or fails in normal use within the applicable Warranty Period: **(a)** the Customer shall notify CHANNEL MASTER within thirty (30) days of the problem. **(b)** CHANNEL MASTER will, at its option, either resolve the problem over the telephone or provide the customer with a Return Authorization ("RMA") Number and the address to which the customer may ship the defective item; **(c)** If the problem can not be resolved over the telephone, the Customer shall attach a label showing the RMA number to each returned item, and include a description of the problem. The Customer shall, at his or her own cost, properly pack the item to be returned, mark the RMA# on the outside of the box, prepay the insurance and shipping charges, and ship the item to the specified CHANNEL MASTER location. **(d)** Unauthorized return of any equipment, whether in or out of warranty, will be subject to a handling charge, in addition to all repair and all transportation charges. **(e)** CHANNEL MASTER will, at its sole option, repair or replace the returned item. If replaced, the replacement item may be new or refurbished; if refurbished it will be equivalent in operation to new Equipment. If a returned item is replaced by CHANNEL MASTER, the Customer agrees that the returned item will become the property of CHANNEL MASTER. **(f)** CHANNEL MASTER will complete the exchange of CHANNEL MASTER manufactured equipment returned under this Warranty within a reasonable time, subject to lead-times from factory, and will make a good faith effort to minimize any and all delays where possible; and **(g)** CHANNEL MASTER will, at its cost, ship the repaired item or replacement to the Customer. If the Customer requests express shipping, the Customer will pay CHANNEL MASTER an expediting fee. **2.2** Equipment which is repaired or replaced by CHANNEL MASTER under this Warranty will be covered under all of the provisions of this Warranty for the remainder of the applicable Warranty period (for that particular equipment) from the date of repair or replacement, whichever is longer. **2.3** If equipment is repaired beyond effective warranty dates or if abnormal usage had occurred, Customer shall be charged applicable rates and the Customer will be advised

of the estimated charges prior to repair by CHANNEL MASTER 's authorized service center. **2.4** The price of out-of-warranty repairs payable by the Customer will be based on standard labor and parts prices in effect at the time of the repair. CHANNEL MASTER will use its best efforts to ensure that the cost of such repair, exchange, refurbishing, or substitution will not exceed the original price of Product. **2.5** If the problem reoccurs within the warranty period, CHANNEL MASTER will, at its option: **(1)** re-perform the service; **(2)** replace the product pursuant to the terms of this warranty, **(3)** permit Customer to return the product and issue a refund pursuant to this warranty, or **(4)** refund the amount the Customer paid for the services.

**PRODUCT MODIFICATION: 3.1** CHANNEL MASTER reserves the right to make changes or improvements to its products, during subsequent production, without incurring the obligation to install such changes or improvements on previously manufactured or sold products.

**FORCE MAJEURE: 4.1** CHANNEL MASTER will not be liable if its performance under this warranty becomes commercially impracticable due to any contingency beyond CHANNEL MASTER's reasonable control, including acts of God, fires, flood, wars, sabotage, civil unrest, accidents, labor disputes or shortages, government laws, rules and regulations, whether valid or invalid, inability to obtain material, equipment or transportation, incorrect, delayed or incomplete specifications, drawings or data supplied by Customer (collectively "Force Majeure")

**LIMITATIONS AND QUALIFICATIONS OF WARRANTY: 5.1** This Limited Warranty extends only to the original purchaser of the Equipment and is in lieu of all other express or implied warranties, including those of merchantability and fitness for a particular purpose. This Warranty does not apply to any damage, defect of failure caused by: **(a)** any part of the equipment having been modified, adapted, repaired, maintained, transported or relocated by any person; **(b)** Storage or environmental characteristics which do not conform to the applicable sections of the appropriate Equipment Manual or Instruction Sheet; **(c)** Failure to conform with the Equipment Operating Instructions in the applicable Equipment Manual or Instruction Sheet; **(d)** External causes, including external electrical stress or lightning, or use in conjunction with incompatible equipment, unless such use was with CHANNEL MASTER's prior written request; **(e)** Cosmetic damage; **(f)** Accidental damage, negligence, modification, mishandling, abuse or misuse; or **(g)** Force Majeure.

**LIMITATION ON DAMAGES: 6.1** THIS WARRANTY IS THE CUSTOMER'S EXCLUSIVE WARRANTY FOR THE EQUIPMENT, CHANNEL MASTER SPECIFICALLY DISCLAIMS ALL OTHER WARRANTIES OF ANY KIND, EXPRESS OR IMPLIED, INCLUDING ANY WARRANTIES OF FITNESS FOR A PARTICULAR PURPOSE AND OF MERCHANTABILITY.

**6.2** CHANNEL MASTER WILL NOT BE LIABLE IN TORT, INCLUDING LIABILITY IN NEGLIGENCE OR STRICT LIABILITY, AND WILL HAVE NO LIABILITY AT ALL FOR INJURY TO PERSONS OR PROPERTY. CHANNEL MASTER'S LIABILITY FOR FAILURE TO FULFILL ITS OBLIGATIONS UNDER THIS WARRANTY OR ANY OTHER LIABILITY UNDER OR IN CONNECTION WITH THE EQUIPMENT WILL BE LIMITED TO THE AMOUNT OF THE PURCHASE PRICE OF THE EQUIPMENT AT THE TIME OF ORIGINAL PURCHASE. THE REMEDIES STATED IN THIS WARRANTY ARE THE CUSTOMER'S EXCLUSIVE REMEDIES AGAINST CHANNEL MASTER REGARDING THE EQUIPMENT.

**6.3** EVEN IF CHANNEL MASTER HAS BEEN NOTIFIED OF THE POSSIBILITY OF THEM, CHANNEL MASTER WILL NOT BE LIABLE FOR ANY INDIRECT, INCIDENTAL, SPECIAL OR CONSEQUENTIAL DAMAGES, INCLUDING LOST PROFITS AND REVENUES, FAILURE TO REALIZE EXPECTED SAVINGS, ANY CLAIM AGAINST A CUSTOMER BY A THIRD PARTY, OR ANY OTHER COMMERCIAL OR ECONOMIC LOSSES OF ANY KIND.

**6.4** THESE LIMITATIONS AND DISCLAIMERS ARE NOT MADE BY CHANNEL MASTER WHERE PROHIBITED BY LAW.

## Información General Sobre el Producto

Todos Channel Master UHF Antenas exterior de la serie de rendimiento se han diseñado para ser fácil de instalar, y se han optimizado para la recepción de más alta calidad de señales de HDTV UHF disponibles. El diseño moderno y delgado hace que sea fácil de desplegar simplemente la antena, montarlo, conectarlo y ya está listo para ir! La atención al detalle se ha tenido en consideración, cada pieza es lisa y mecanizado para garantizar un ambiente seguro y libre de problemas de instalación. Cada antena está hecha de los mejores componentes para superar las expectativas de los consumidores. Eso significa tranquilidad para usted en los próximos años.

## Características del Producto

- Diseñado y probado para la alta calidad de televisión de alta definición digital y un transmisor UHF
- Fácil instalación - Despliegue, montar y conectar
- Larga duración, diseño duradero:
  - Los elementos de servicio pesado de aluminio
  - UV estabilizado plástico
  - 75 Ohm balun PC integrado en la antena
- Se monta fácilmente a un mástil de la antena tradicional
  - CM4220MHD incluye un soporte de alta calidad haciendo una instalación cómoda y sin esfuerzo
- En la azotea, alero, o en la pared
- Diseño transparente

## Contenido del Envase y Accesorios

### CM-4220HD

1. kit de hardware

### CM-4220MHD

1. kit de hardware

2. J montaje

### CM-4221HD

1. kit de hardware

### CM-4228HD

1. kit de hardware



# PELIGRO

## ¡CUIDADO CON LOS CABLES!



**¡Si esta antena entra en contacto con cables de alta tensión puede ocasionarle la MUERTE!**



**LEA LAS INSTRUCCIONES**



**¡Advertencia e información de seguridad!**

Por favor, lea este manual antes de poner en funcionamiento este producto. La información contenida en este documento está sujeta a cambios sin previo aviso. Las características y especificaciones pueden ser diferentes en dependencia del modelo del producto adquirido.

## **Para la Instalacion mas Segura, Siga Estos Procedimientos**

1. Realice la mayor parte de las tareas de montaje de la antena en el piso.
2. Cuídese de los cables aéreos de alta tensión. Verifique la distancia que lo separa de los cables de alta tensión

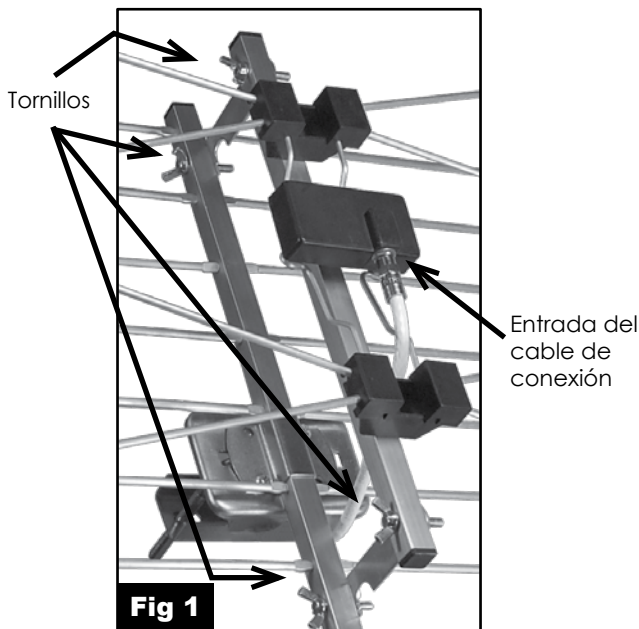
antes de iniciar la instalación LE RECOMENDAMOS QUE SE MANTENGA A UNA DISTANCIA MINIMA DE LOS CABLES DE ALTA TENSIÓN IGUAL AL DOBLE DEL LARGO DEL CONJUNTO DE LA ANTENA.

3. No utilice una escalera metálica.
4. Recuerde que hasta el contacto más leve entre la antena y los cables de alta tensión pueden provocar un descargo mortal.
5. No intente realizar esta tarea en un día ventoso.
6. Cuenten con la presencia de otra persona para que lo observe mientras se encuentra en el techo. Esta persona puede ver cosas que usted no ve.
7. Si la antena comienza a caerse, aléjese y déjela caer.
8. ¡Si cualquier parte de la antena entra en contacto con un cable de alta tensión - - Comuníquese CON SU Compañía LOCAL DE ELECTRICIDAD! ¡NO INTENTE RETIRARLA USTED MISMO! Ellos la retirarán de manera segura.
9. El mástil, los cables de acometida y los cables metálicos de retenido son excelentes conductores de la corriente eléctrica - manténgalos alejados de los cables de alta tensión.
10. Asegúrese de que sus familiares y amigos comprendan el peligro que implica tocar un cable aéreo de alta tensión. Dígalos que nunca intenten retirar ningún objeto que se encuentre en contacto común cable de alta tensión - - una antena de CB, de TV o cualquier otro elemento.
11. Asegúrese de que el conjunto del mástil de la antena cuente con una conexión a tierra adecuada.

Para obtener más información, visite [www.channelmaster.com/support](http://www.channelmaster.com/support).

## Instrucciones de Instalación de la CM-4220HD, CM-4220MHD, CM4221HD

1. Identifique la ubicación del transmisor de la estación de TV deseada usando [www.antennaweb.org](http://www.antennaweb.org).
2. Doble la sección de enfrente de la antena hacia afuera y apriete los 4 tornillos como es mostrado la **Fig 1**. Asegúrese que la sección de enfrente este alineada con respecto a la rejilla reflectora y los 4 tornillos estén asegurados.



3. Fije la montura (**Fig 2 y 3**) en medio de la rejilla de la antena como es mostrado la **Fig. 4**.
  4. Monte la antena al mástil como es mostrado la **Fig. 4**.
  5. Conecte el cable coaxial a la conexión de entrada para cable de la antena que se muestra en la **Fig. 1 y 2**. Asegure el cable al mástil con un amarre para prevenir tensión sobre el puerto de conexión.
  6. Apunte la parte de enfrente de la antena hacia la ubicación del transmisor de TV y ajústelo para obtener la mejor recepción.
- NOTA:** La parte de enfrente de la antena es el lado que tiene los elementos en forma de X.
7. Apriete y fije todo los tornillos.



Material Incluido



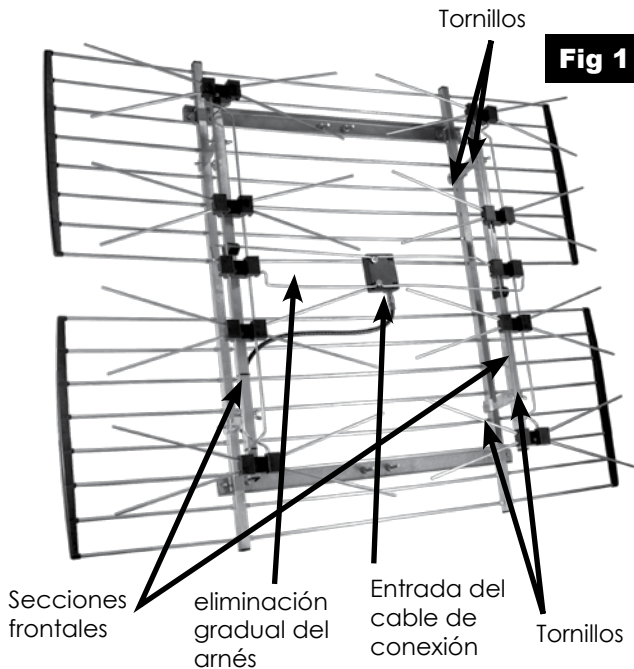
Tornillo en forma de U tiene que ser puesto a través del agarre antes de fijarlo a la antena



Fig 4

## Instrucciones de Instalación de la CM-4228HD:

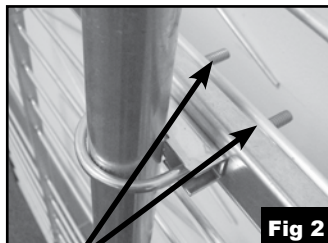
1. Identifica la dirección del transmisor de estación de TV deseado usando **[www.antennaweb.org](http://www.antennaweb.org)**.
2. Doble hacia afuera las dos secciones de enfrente de la antena asegurándose de doblar simultáneamente el lado derecho e izquierdo para evitar poner presión sobre el arnés. Asegurese de que las secciones de enfrente estén derechas y paralelas con relación a la rejilla del reflector y apriete bien los 8 tornillos. (Vea Fig 1).



3. Fije la montura a la antena como se muestra en la **Fig. 2**.
4. Monte la antena al mástil como es mostrado.
5. Conecte el cable coaxial a la entrada de conexión del cable. Asegure el cable al mástil con una atadura para evitar tensión en la conexión.
6. Oriente el frente de la antena hacia la localización del transmisor de TV y ajuste para tener mejor recepción.

**NOTA:** ULa parte de enfrente de la antena es el lado que tiene los elementos en forma de X.

7. Fije todas las partes sueltas.



**Fig 2**

Tornillos en forma de U deben ser asegurados con cerrojos a través de la antena.



**Fig 3**

Material Incluido

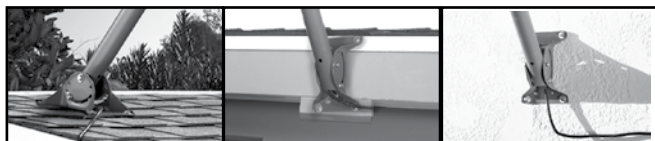
## Instrucciones de Montaje (CM-4220MHD):

1. Ensamble los cerrojos del mástil con tornillos hexagonales dejando la tuerca lo suficientemente suelta como para permitir el movimiento en la ranura curva sin dañar la superficie pintada (a cada lado) (ver **Fig A**). Una vez que la alineación adecuada sea determinada, apriete las tuercas de la brida.

2. Con los tornillos proveídos, fije la montura de DBS de modo que la antena quede apuntando hacia los transmisores de TV sin obstáculos para que pueda ser ajustada. Asegure por lo menos dos tornillos en una base.
3. Monte la antena siguiendo las instrucciones del 4220HD y 4221HD en la **pagina 17**.
4. Apriete y fije todo los tornillos.

**NOTA:** Uso correcto de hardware para instalaciones sobre ladrillos o mampostería.

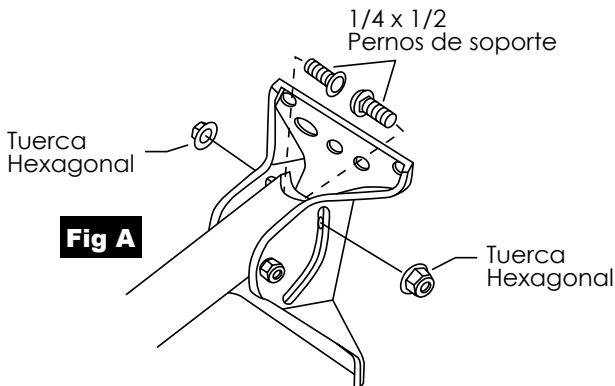
Use selladores de techo se monta para evitar fugas.



Techo

Alero

Pared



## Instrucciones de Operación:

Para obtener la mejor recepción, tenga en cuenta lo siguiente:

1. Mantenga la antena lejos de fuentes de interferencia, como equipos de aire acondicionado, hornos microondas, secadores de pelo, etc. Todas éstas son fuentes de interferencia eléctrica fuerte y pueden debilitar la señal o provocar la pérdida total de señal.
2. Cuando instale la antena en interiores, colóquela cerca de una ventana, preferiblemente en el lado de la casa que mira hacia los transmisores de canales de televisión.
3. Instale la antena tan alto como sea posible, y preferiblemente dejando un camino despejado entre la antena y los transmisores de canales de televisión. Los árboles, edificios, montañas, etc. pueden afectar el rendimiento de cualquier antena.

## Características y datos técnicos de las UHF Performance Series

- Diseñadas para recepción de señales de TV digitales HD (de alta definición).
- Alcance de la frecuencia: 470-700 MHz
- Impedance: 75 $\Omega$
- Ganancia

### **CM4220HD/CM4220MHD**

promedio Ganancia, UHF: 8 dB

Número de elementos: 8

### **CM4228HD**

promedio Ganancia, UHF: 12 dB

Número de elementos: 32

### **CM4221HD**

promedio Ganancia, UHF: 10.2 dB

Número de elementos: 16



# Garantía y Póliza Para la Devolución del Producto

**PERÍODO DE GARANTÍA:** garantía de 90 días se aplica a todos los productos de Master Channel (Algunos productos tienen periodos de garantía extendidos).

**COMERCIALES Y CONSUMIDORES:** Los distribuidores y los consumidores pueden devolver cualquier In-Garantía Canal producto Master para el departamento de garantías para su reparación o reemplazo. Para en el servicio de garantía al consumidor o distribuidor debe llamar al Servicio Técnico y solicitar un número de RMA para devolver el producto. El producto devuelto debe tener el número de RMA visible en el cuadro y debe incluir la factura de compra indicando que la unidad se encuentra dentro del período de garantía. Si la unidad se encuentre defectuosa bajo nuestra política de garantía para Channel Master se compromete a reparar o sustituir el producto sin costo alguno. Los productos que no estén dentro del periodo de garantía no deben devolverse a Channel Master, a excepción de algún producto que haya sido solicitado por el Departamento de Asistencia Técnica para ser evaluado como parte del aseguramiento de la calidad.

**SERVICIO TÉCNICO:** [www.channelmaster.com/support](http://www.channelmaster.com/support)

**GARANTÍA CONDICIONES GENERALES: 1,1** Sin perjuicio de las disposiciones de esta Garantía, MASTER DE CANAL garantiza que el equipo y software que se describe en el artículo 1,2 que cumplen con las especificaciones en todos los aspectos materiales y que el equipo estará libre de defectos materiales en materiales y mano de obra durante el período de garantía. **1,2** Esta garantía se aplica a todas las compras originales de los clientes de CHANNEL MASTER ("Equipo"). Las garantías establecidas en el presente no son transferibles. **1,3** El período de vigencia de esta garantía se iniciará en la fecha de compra del equipo o de la fecha de instalación por un técnico autorizado CHANNEL MASTER y terminará, para el Equipo, noventa (90) días más tarde (para todos los componentes y las actualizaciones del sistema ), a menos que se exprese lo contrario o el presente documento (en cada caso el "Período de Garantía").

**RETORNO DE LOS EQUIPOS CON GARANTÍA: 2,1** Si un elemento del mal funcionamiento del equipo o no en uso normal dentro del período de garantía aplicable: (a) el Cliente deberá notificar a CHANNEL MASTER dentro de los treinta (30) días del problema. (b) CHANNEL MASTER, a su elección, resolver el problema por teléfono u ofrecer a los clientes con una autorización de devolución ("RMA") El número y la dirección a la cual el cliente puede enviar el artículo defectuoso, (c) Si el problema no puede resolverse a través del teléfono, el cliente deberá adjuntar una etiqueta que muestre el número de RMA a cada artículo devuelto, e incluir una descripción del problema. El cliente deberá, a su propio costo, empaque del artículo que se devolverá, marque el número RMA en el exterior de la caja, pagar por adelantado el seguro y los gastos de envío, y enviar el artículo a la ubicación especificada CHANNEL MASTER. (d) la devolución no autorizada de cualquier equipo, ya sea dentro o fuera de garantía, será objeto de una acusación de manipulación, además de todas las reparaciones y todos los gastos de transporte. (e) CHANNEL MASTER, a su entera discreción, reparar o reemplazar el artículo devuelto. Si sustituye, el artículo de reemplazo pueden ser nuevos o reacondicionados, si reformado será equivalente en funcionamiento a los nuevos equipos. Si un artículo devuelto se sustituye por CHANNEL MASTER, el Cliente acepta que el artículo devuelto pasará a ser propiedad del canal Master. (f) CHANNEL MASTER completará el intercambio de CHANNEL MASTER fabrican equipos devueltos por esta garantía en un plazo razonable, con sujeción a los plazos de la fábrica, y hará un esfuerzo de buena fe para

reducir al mínimo cualquier y todos los retrasos que sea posible, y (g) CHANNEL MASTER, a su costo, enviar el artículo reparado o sustituido al Cliente. Si el cliente solicita el envío expreso, el cliente pagará una cuota de CHANNEL MASTER acelerar. **2,2** El equipo que esté reparado o sustituido por CHANNEL MASTER bajo esta garantía serán cubiertos por todas las disposiciones de esta Garantía para el resto del período de garantía aplicable (para ese equipo en particular) a partir de la fecha de reparación o sustitución, si fuera mayor. **2,3** Si el equipo es reparado más allá de las fechas efectivas de garantía o si el uso anormal había ocurrido, el Cliente se cobrará las tarifas aplicables y el cliente será informado de los cargos estimados antes de la reparación por el centro de CHANNEL MASTER 's de servicio autorizado. **2,4** El precio de las reparaciones fuera de garantía a cargo del cliente se basará en el trabajo normal y los precios de las piezas en vigor en el momento de la reparación. CHANNEL MASTER realizará sus mejores esfuerzos para garantizar que el costo de dicha reparación, cambio, renovación, o de sustitución no será mayor al precio original del producto. **2,5** Si el problema vuelve a aparecer en el período de garantía, CHANNEL MASTER, a su elección: (1) volver a realizar el servicio, (2) reemplazar el producto conforme a los términos de esta garantía, (3) permitir al cliente para devolver el producto y emitir una restitución de conformidad con esta orden, o (4) devolverá el importe que el cliente pagó por los servicios.

**MODIFICACIÓN DE PRODUCTOS:** **3,1** reservas CHANNEL MASTER el derecho de hacer cambios o mejoras a sus productos, durante la producción posterior, sin incurrir en la obligación de instalar tales modificaciones o mejoras en los productos previamente fabricados o vendidos.

**FUERZA MAYOR:** **4,1** CHANNEL MASTER no será responsable si su ejecución bajo esta garantía sea comercialmente factible por cualquier contingencia fuera del control razonable CHANNEL MASTER, incluidos los actos de Dios, incendios, inundaciones, guerras, sabotajes, disturbios, accidentes, conflictos laborales o la escasez, el gobierno leyes, normas y reglamentos, si las especificaciones incapacidad válido o inválido, para obtener materiales, equipos o transporte, es incorrecta, tardía o incompleta, dibujos o datos suministrados por el Cliente (colectivamente, "Fuerza Mayor").

**LIMITACIONES Y REQUISITOS DE LA GARANTÍA:** **5,1** La presente garantía limitada se extiende solamente al comprador original del equipo y está en lugar de cualquier otra garantía expresa o implícita, incluidas las de comerciabilidad o idoneidad para un propósito en particular. Esta garantía no se aplica a cualquier defecto de la falla causada por: (a) cualquier parte de su equipo de haber sido modificado, adaptado, reparación, mantenimiento, transporte o reubicadas por cualquier persona, (b) de almacenamiento o las características ambientales que no se ajusten a las secciones correspondientes de la correspondiente Manual sobre el equipo o la hoja de instrucciones, (c) El incumplimiento para cumplir con las Instrucciones de Operación del equipo en el "Manual de Equipo y Hojas de Instrucción; (d) Las causas externas, incluyendo el estrés eléctrico externo o eléctrica, o su uso en conjunción con equipos incompatibles, a menos que dicho uso era con la petición previa por escrito CHANNEL MASTER, (e) los daños superficiales; (f) los daños accidentales, negligencia, modificación, manejo incorrecto, abuso o mal uso, o (g) Fuerza Mayor.

**LIMITACIÓN DE DAÑOS:** **6,1** ESTA GARANTÍA ES GARANTÍA exclusivo del cliente en cuanto al material, MASTER DE CANAL EXPRESAMENTE RENUNCIA A TODA GARANTÍA OTROS DE NINGÚN TIPO, EXPRESA O IMPLÍCITA, INCLUYENDO CUALQUIER GARANTÍA DE IDONEIDAD PARA UN PROPÓSITO PARTICULAR Y DE COMERCIALIZACIÓN. **6,2** CHANNEL MASTER NO SE HARÁ RESPONSABLE EN

AGRAVIO, incluida la responsabilidad por negligencia o responsabilidad estricta, y no tendrá responsabilidad alguna por daños a personas o bienes. RESPONSABILIDAD CHANNEL MASTER PARA incumplimiento de sus obligaciones bajo esta garantía o cualquier otra responsabilidad bajo o en conexión con el Equipo SERÁ LIMITADA A LA CANTIDAD DE EL PRECIO DE COMPRA DE LOS EQUIPOS EN EL MOMENTO DE COMPRA ORIGINAL. LOS REMEDIOS mencionadas en esta garantía son los remedios exclusivos del cliente contra CHANNEL MASTER SOBRE EL EQUIPO. **6,3** AUNQUE MASTER DE CANAL HA SIDO NOTIFICADOS DE LA POSIBILIDAD DE ELLOS, MASTER canal no será responsable por daños indirectos, incidentales, especiales o consecuentes, incluido el lucro cesante y los ingresos, no realización de ahorros previstos, cualquier reclamación contra un cliente por el tercero, o cualquier otra pérdida comercial o económica DE NINGUNA CLASE. **6,4** Estas limitaciones y responsabilidad no se realizado por el maestro canal donde prohibido por ley.

## Présentation du Produit

Tous les canaux UHF maître de performance Antennes Series plein air sont conçus pour être faciles à installer, et ont été optimisées pour recevoir la plus haute qualité UHF signaux TVHD disponibles. Le design moderne et élancé, il est facile de simplement déployer l'antenne, montez, connectez, et vous êtes prêt à partir! Le souci du détail a été pris en considération; chaque pièce est lisse et usinées pour assurer un coffre-fort, une installation sans problème. Chaque antenne est constituée des meilleurs composants pour dépasser les attentes des consommateurs. Cela signifie que la tranquillité d'esprit pour les années à venir.

## Caractéristiques du Produit

- Conçu et testé pour une grande qualité HDTV et de réception numérique UHF
- Facilité d'installation - Déplier, monter et raccorder
- Longue durée de vie, de la conception durable:
  - lourds éléments en aluminium de service
  - UV plastiques stabilisées
  - 75 Ohm PC symétriseur d'antenne intégrée
- Se monte facilement à un mât d'antenne traditionnelle
  - CM4220MHD comprend un support de haute qualité faisant une installation facile et sans effort
- Toit, gouttières, ou montage mural
- Design Transparent

## Contenu et Accessoires de L'emballage

### CM-4220HD

1. kit de matériel

### CM-4220MHD

1. kit de matériel

2. J montage

### CM-4221HD

1. kit de matériel

### CM-4228HD

1. kit de matériel

# DANGER

## ATTENTION AUX CÂBLES!



**Vous pourriez être TUÉ si  
cette antenne touche des  
câbles électriques proches!**



**LIRE LE MODE DE MONTAGE**



### **Conseils de Sécurité**

Veillez lire cette notice d'utilisation avant d'utiliser ce produit. Les informations contenues dans ce document peuvent être modifiées sans préavis. Les caractéristiques ou spécifications peuvent être différentes selon le type de modèle du produit acheté.

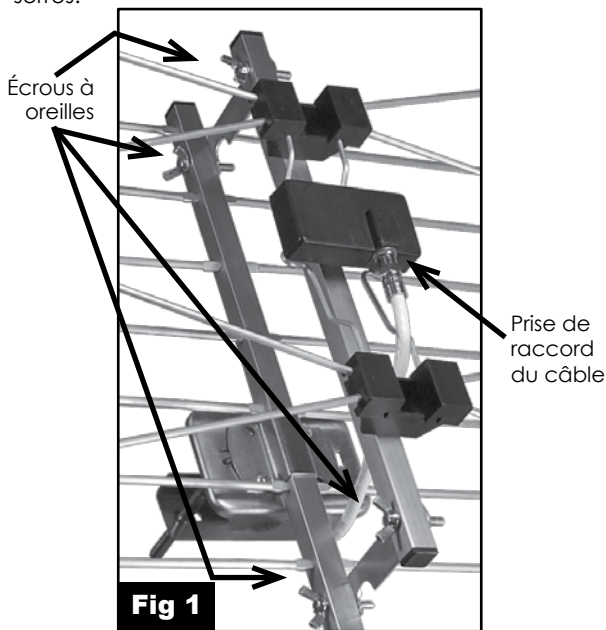
### **Suivez Ces Directives Pour Obtenir L'Installation la Plus Sûre**

1. Effectuez le plus possible la plus grande partie de l'assemblage au sol.

2. Repérez les câbles électriques aériens. Avant de commencer l'installation, vérifiez la distance entre l'antenne et les câbles. **NOUS RECOMMANDONS DE LAISSER UNE DISTANCE D'AU MOINS LE DOUBLE DE LA LONGUEUR MAXIMALE DE L'ANTENNE ENTRE L'ANTENNE ET LES CÂBLES ÉLECTRIQUES.**
3. N'utilisez pas d'échelle en métal.
4. N'oubliez pas : même le plus léger contact entre l'antenne et un câble électrique peut entraîner une décharge mortelle.
5. N'essayez PAS d'installer l'antenne par temps de grand vent.
6. Ayez toujours une autre personne à proximité lorsque vous êtes sur le toit; elle peut voir des choses que vous ne voyez pas.
7. Si vous lâchez une antenne par mégarde, éloignez-vous et laissez-la tomber.
8. Si une pièce de l'antenne a touché un câble électrique, **N'ESSAYEZ PAS DE RETIRER L'ANTENNE VOUS-MÊME! APPELEZ LA COMPAGNIE D'ÉLECTRICITÉ!** Ses agents le feront en toute sécurité.
9. Le mât, le câble de descente et les fils de hauban sont d'excellents conducteurs de courant électrique; gardez-les également éloignés des câbles électriques.
10. Assurez-vous que votre famille et vos amis comprennent bien le danger qu'il y a à toucher un câble électrique aérien. Dites-leur de ne jamais toucher un objet en contact avec un câble, que ce soit une antenne de CB, de télé ou autre.
11. Assurez-vous que le mât de l'antenne est correctement relié à la terre.  
Pour plus d'informations, visitez le site [www.channelmaster.com/support](http://www.channelmaster.com/support).

## Instructions d'installation CM-4220HD, CM-4220MHD, CM-4221HD:

1. Identifiez la direction de transmission des stations télé désirées en utilisant **www.antennaweb.org**.
2. Dépliez la section avant de l'antenne et serrez les 4 écrous à oreilles comme illustré à la **figure 1**. Assurez-vous que la section avant est bien alignée sur la grille du réflecteur et que les 4 écrous à oreilles sont bien serrés.



3. Attachez les pièces de fixation (**fig. 2 et 3**) au milieu de la grille de l'antenne (**fig. 4**). Assurez-vous que le boulon en U est bien placé entre les 2 pinces de support avant de serrer les 2 vis.
4. Montez l'antenne sur le mât (**fig. 4**).
5. Reliez le câble coaxial à la prise de raccord du câble d'antenne illustré à la **fig. 1**. Fixez le câble coaxial sur le mât à l'aide d'une attache métallique pour éviter les contraintes sur le raccord.
6. Orientez l'antenne pour capter les stations désirées et réglez-la jusqu'à obtention de la meilleure réception possible.

**REMARQUE:** L'avant de l'antenne est le côté avec les éléments en X.

7. Serrez toutes les pièces de fixation.



Pièces de fixation incluses



Le boulon en U doit être passé dans le support avant d'assembler l'antenne.



**Fig 4**

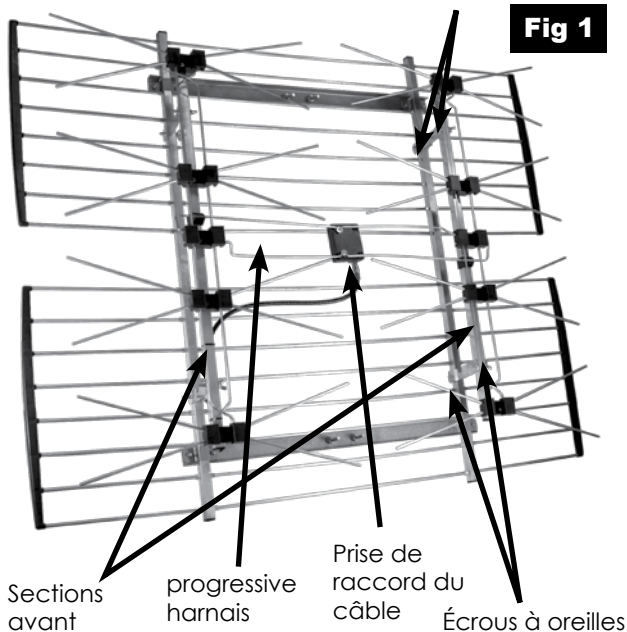


## Instructions d'installation CM-4228HD

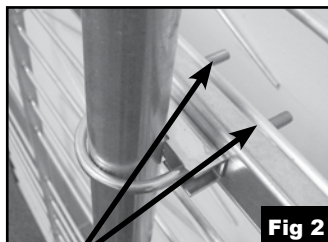
1. Identifiez la direction de transmission des stations télé désirées en utilisant [www.antennaweb.org](http://www.antennaweb.org).
2. Dépliez les 2 sections avant de l'antenne en vous assurant de déplier simultanément les sections droite et gauche de façon à ne pas placer de contraintes sur le faisceau de mise en phase. Assurez-vous que les sections avant sont bien droites et parallèles par rapport à la grille du réflecteur et serrez les 8 écrous à oreilles (voir **fig. 1**).

Écrous à oreilles

**Fig 1**



3. Attachez les pièces de fixation à l'antenne (**fig. 2**).
  4. Montez l'antenne sur le mât.
  5. Reliez le câble coaxial à la prise de raccord du câble d'antenne. Fixez le câble sur le mât à l'aide d'une attache métallique pour éviter les contraintes sur le raccord.
  6. Orientez l'avant de l'antenne pour capter les stations télé désirées et réglez-la jusqu'à obtention de la meilleure réception possible.
- REMARQUE:** L'avant de l'antenne est le côté avec les éléments en X.
7. Serrez toutes les pièces de fixation.



Le boulon en U doit être fixé avec les boulons à travers l'antenne.



Pièces de fixation incluses

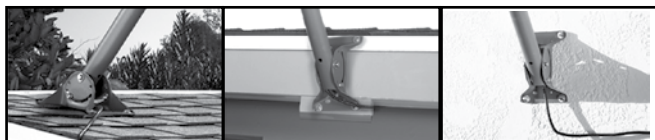
## Instructions de Montage (CM-4220MHD) :

1. Assemblez les boulons de mât avec les écrous à bride hex. sans les serrer pour permettre un mouvement dans la fente courbe sans endommager la surface peinte (de chaque côté) (voir **fig. A**). Une fois l'alignement bien réglé, serrez les écrous à fond.

2. Avec les tire-fonds fournis, serrez la fixation DBS de façon que l'antenne soit dirigée vers les stations télé émettrices en dégagant bien les obstacles pour permettre le réglage. Fixez au moins 2 tire-fonds dans un goujon.
3. Montez l'antenne selon les instructions de la **page 29** pour les modèles 4220HD et 4221HD.
4. Serrez toutes les pièces de fixation.

**REMARQUE:** Utilisez les pièces qui conviennent en cas d'installation sur la brique ou de la maçonnerie.

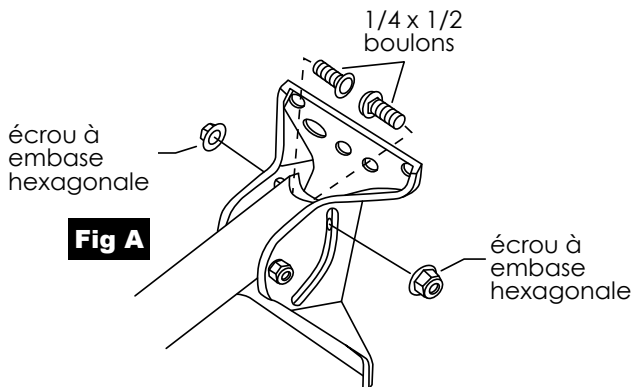
Utilisez du produit d'étanchéité pour toitures pour éviter les fuites.



toit

avant-toit

mur



## Mode d'emploi :

Pour une meilleure réception, veuillez suivre ces indications :

1. Eloignez l'antenne des sources d'interférences, y compris les climatiseurs, fours à micro-ondes, sèche-cheveux, etc. Ce sont des sources d'interférence électriques fortes qui peuvent causer une mauvaise qualité d'image ou la perte totale de réception.
2. Si vous installez l'antenne à l'intérieur, placez-la près d'une fenêtre, de préférence sur le côté de la maison face à l'émetteur de télévision.
3. Installez l'antenne le plus haut possible, et de préférence avec un champ libre entre l'antenne et l'émetteur de télévision. Les arbres, les bâtiments, les montagnes, etc. peuvent affecter les performances de l'antenne.

## Particularités et données techniques des UHF Performance series

- Conception pour la réception des signaux télé numériques HD.
- Gamme de fréquences : 470 à 700 MHz
- Impedance: 75 $\Omega$
- Gain:

### CM4220HD/CM4220MHD

moyenne Gain, UHF: 8 dB

nombre d'éléments: 8

### CM4228HD

moyenne Gain, UHF: 12 dB

nombre d'éléments: 32

### CM4221HD

moyenne Gain, UHF: 10.2 dB

nombre d'éléments: 16

# Politique de Reprise de Marchandise et Garantie

**PÉRIODE DE GARANTIE** : La garantie de 90 jours s'applique à tous les produits Channel Master. (Certains produits ont des périodes de garantie prolongées).

**DÉTAILLANTS ET CONSOMMATEURS** : Les détaillants et consommateurs peuvent envoyer tout produit Channel Master sous garantie au Service de garantie en vue de sa réparation ou de son remplacement. Pour le service sous garantie, le consommateur ou le détaillant doit appeler le service technique et demander un numéro d'autorisation de reprise (désigné «RMA») pour pouvoir envoyer le produit. Le numéro RMA doit apparaître de façon bien lisible sur l'emballage du produit envoyé et l'emballage doit contenir le bon de vente montrant que le produit est envoyé au cours de la période de garantie. S'il est découvert que le produit est défectueux conformément à notre politique de garantie, Channel Master réparera ou remplacera gratuitement le produit. Les produits dont la période de garantie est dépassée, ne doivent pas être retournés à Channel Master, à l'exception des produits qui auront été demandés par le Service d'assistance technique afin d'être évalués dans le cadre de l'assurance de la qualité.

**Service technique** : [www.channelmaster.com/support](http://www.channelmaster.com/support)

**CONDITIONS GÉNÉRALES** : **1.1** Compte tenu des conditions de la présente garantie, CHANNEL MASTER garantit que l'équipement et le logiciel décrits à l'article 1.2 sont conformes à nos spécifications dans tous leurs aspects matériels et qu'ils resteront exempts de tout défaut de matériaux et de fabrication pendant la période de garantie limitée. **1.2** La présente garantie s'applique à tous les produits achetés par les clients de CHANNEL MASTER (l'«équipement»). Les garanties ne peuvent pas être transférées. **1.3** La période de validité de la présente garantie débute le jour de l'achat de l'équipement ou à la date de l'installation de l'équipement par un technicien approuvé par CHANNEL MASTER, et se termine, pour l'équipement, quatre-vingt-dix jours plus tard (pour tous les composants et les mises à jour du système), à moins d'indication contraire ou fournie dans la présente garantie (dans chaque cas, la «période de garantie»).

**REPRISE DE L'ÉQUIPEMENT SOUS GARANTIE** : **2.1** Lorsqu'un composant de l'équipement fonctionne mal ou ne fonctionne pas en cas d'utilisation normale pendant la période de garantie applicable, (a) le client doit notifier CHANNEL MASTER dans les trente (30) jours de la découverte du problème. (b) CHANNEL MASTER, à sa seule discrétion, soit résoudra le problème par téléphone, soit fournira un numéro RMA et l'adresse à laquelle la pièce ou l'équipement défectueux doit être envoyé. (c) Si le problème ne peut pas être résolu par téléphone, le client doit fixer une étiquette portant le numéro RMA à l'extérieur du paquet de chaque pièce envoyée et inclure une description du problème. Le client doit, à ses propres frais, emballer correctement l'équipement à envoyer, indiquer le numéro RMA à l'extérieur du paquet, payer les frais d'expédition et d'assurance, et expédier le paquet à l'adresse spécifiée par CHANNEL MASTER. (d) Tout envoi non autorisé d'équipement sous garantie ou non fera l'objet de frais de manutention, en plus de tous les frais de réparation et de transport. (e) CHANNEL MASTER réparera ou remplacera, à sa seule discrétion, la pièce envoyée. En cas de remplacement, la pièce de remplacement sera ou neuve ou rénovée; si elle est rénovée, son fonctionnement sera équivalent à celui d'une pièce neuve. En cas de remplacement d'une pièce par CHANNEL MASTER, le client accepte que la pièce qu'il a envoyée devient la propriété de CHANNEL MASTER. (f) CHANNEL MASTER effectuera l'échange de la pièce fabriquée par CHANNEL MASTER et envoyée

en vertu de la présente garantie dans des délais raisonnables, en fonction des délais de production de l'usine, et s'efforcera en toute bonne foi de minimiser au possible ces délais; et (g) CHANNEL MASTER expédiera à ses frais au client la pièce réparée ou remplacée. Si le client demande une expédition express, le client paiera à CHANNEL MASTER les frais d'une telle expédition. **2.2** L'équipement réparé ou remplacé par CHANNEL MASTER en vertu de la présente garantie sera couvert conformément à toutes les conditions de la présente garantie pour le reste de la période de garantie applicable (pour l'équipement en question), à partir de la date de réparation ou de remplacement, selon la période la plus longue. **2.3** Si l'équipement est réparé en dehors de la période de garantie ou en cas de mauvaise utilisation de l'équipement, le client sera facturé selon les tarifs applicables et il sera prévenu des frais éventuels estimés avant la réparation par le centre de réparation agréé par CHANNEL MASTER. **2.4** Le prix de la réparation hors garantie payable par le client sera calculé sur la base des tarifs habituels des pièces et de la main-d'œuvre en vigueur à la date de la réparation. CHANNEL MASTER fera tous ses efforts pour s'assurer que le coût de ladite réparation, de l'échange, de la rénovation ou de la substitution ne dépasse pas le prix de l'équipement d'origine. **2.5** Si le problème se reproduit pendant la période de garantie, CHANNEL MASTER, à sa seule discrétion : (1) effectuera une deuxième réparation, (2) remplacera l'équipement conformément aux conditions de la présente garantie, (3) permettra au client de renvoyer l'équipement et le remboursera conformément aux conditions de la présente garantie, ou (4) remboursera le montant payé par le client pour le service.

**MODIFICATION DE L'ÉQUIPEMENT : 3.1** CHANNEL MASTER se réserve le droit d'apporter une modification ou une amélioration à l'équipement, lors de la production suivante, sans encourir l'obligation d'effectuer ladite modification ou amélioration sur l'équipement déjà fabriqué ou vendu.

**CAS DE FORCE MAJEURE : 4.1** CHANNEL MASTER ne sera pas responsable si son exécution en vertu de la présente garantie devient impraticable sur le plan commercial, en raison d'événements imprévus indépendants de la volonté de CHANNEL MASTER, y compris les cas de force majeure, incendies, inondations, guerres, actes de sabotage, troubles civils, accidents, conflits de travail, pénuries de main-d'œuvre, lois et règlements des autorités, valides ou non, ou en raison de l'impossibilité de se procurer des matériaux, de l'équipement ou du transport, ou de spécifications, de schémas ou de données incorrectes, retardées ou incomplètes de la part du client (collectivement la «force majeure»).

**LIMITATIONS ET QUALIFICATIONS DE LA GARANTIE : 5.1** La présente garantie limitée ne couvre que le premier acheteur de l'équipement neuf et tient lieu de toute autre garantie, explicite ou implicite, y compris celles de qualité marchande et d'adaptation à un usage particulier. La présente garantie ne couvre aucun dégât, défaut ou panne causé par : (a) toute partie de l'équipement qui a pu être modifiée, adaptée, réparée, entretenue, transportée ou déplacée par une personne quelconque; (b) un remisage ou des caractéristiques environnementales non conformes aux articles applicables du manuel ou du mode d'emploi de l'équipement; (c) le non-respect des instructions de fonctionnement de l'équipement indiquées dans le manuel ou le mode d'emploi de l'équipement; (d) des causes extérieures, y compris des surtensions électriques extérieures ou la foudre, ou l'utilisation avec de l'équipement incompatible, à moins que ladite utilisation ait été demandée par écrit au préalable par CHANNEL MASTER; (e) un dégât superficiel; (f) un dégât accidentel, une négligence, une modification, une modification de manutention, un abus ou un défaut d'utilisation; (g) un cas de force majeure.

**LIMITATIONS DES DOMMAGES :** **6.1** LA PRÉSENTE GARANTIE EST LA SEULE GARANTIE EXCLUSIVE POUR LE CLIENT QUANT À L'ÉQUIPEMENT. DE FAÇON SPÉCIFIQUE, CHANNEL MASTER DÉCLINE TOUTE RESPONSABILITÉ QUANT À TOUTES AUTRES GARANTIES DE TOUTES SORTES, EXPLICITES OU IMPLICITES, Y COMPRIS CELLES DE QUALITÉ MARCHANDE ET D'ADAPTATION À UN USAGE PARTICULIER. **6.2** CHANNEL MASTER NE SERA PAS CIVILEMENT RESPONSABLE, TANT EN CAS DE NÉGLIGENCE OU DE RESPONSABILITÉ ABSOLUE, ET NE SERA AUCUNEMENT RESPONSABLE EN CAS DE BLESSURES CORPORELLES OU DE DÉGÂTS MATÉRIELS. LA RESPONSABILITÉ DE CHANNEL MASTER EN CAS DE DÉFAUT DE S'ACQUITTER DE SES OBLIGATIONS EN VERTU DE LA PRÉSENTE GARANTIE OU DE TOUTE AUTRE RESPONSABILITÉ CONCERNANT OU EN RAPPORT AVEC L'ÉQUIPEMENT SE LIMITERA AU MONTANT DU PRIX D'ACHAT DE L'ÉQUIPEMENT NEUF À LA DATE DE L'ACHAT. LES RECOURS INDIQUÉS DANS LA PRÉSENTE GARANTIE SONT LES SEULS RECOURS DU CLIENT CONTRE CHANNEL MASTER CONCERNANT L'ÉQUIPEMENT. **6.3** MÊME AU CAS OÙ LA POSSIBILITÉ DE TELS RECOURS A ÉTÉ NOTIFIÉE À CHANNEL MASTER, CHANNEL MASTER NE SERA RESPONSABLE D'AUCUNS DOMMAGES DIRECTS OU INDIRECTS OU SPÉCIAUX, Y COMPRIS LA PERTE DE PROFITS ET DE REVENUS, L'IMPOSSIBILITÉ DE RÉALISER DES ÉCONOMIES ESPÉRÉES, TOUTE RÉCLAMATION D'UN TIERS CONTRE UN CLIENT OU TOUTES AUTRES PERTES COMMERCIALES OU ÉCONOMIQUES DE TOUTES SORTES. **6.4** LES PRÉSENTES LIMITATIONS ET STIPULATIONS D'EXONÉRATION DE CHANNEL MASTER NE SONT PAS VALIDES LÀ OÙ ELLES SONT INTERDITES PAR LA LOI.

# *Channel Master*<sup>®</sup>

**[ChannelMaster.com/support](http://ChannelMaster.com/support)**

© 2013 Channel Master. Channel Master, METROtenna, ULTRAtenna, and EXTREMEtenna are registered trademarks. Specifications subject to change. All rights reserved. © 2013 Channel Master. Channel Master, METROtenna, ULTRAtenna, y EXTREMEtenna son marcas registradas. Especificaciones sujetas a cambio. Todos los derechos reservados. © Channel Master, 2013. Channel Master est une marque déposée. METROtenna, ULTRAtenna, et EXTREMEtenna est une marque de commerce de Channel Master. Les caractéristiques peuvent être modifiées sans préavis. Tous droits réservés. Pub UG 4220HD, 4220MHD, 4221HD, 4228HD. 201301