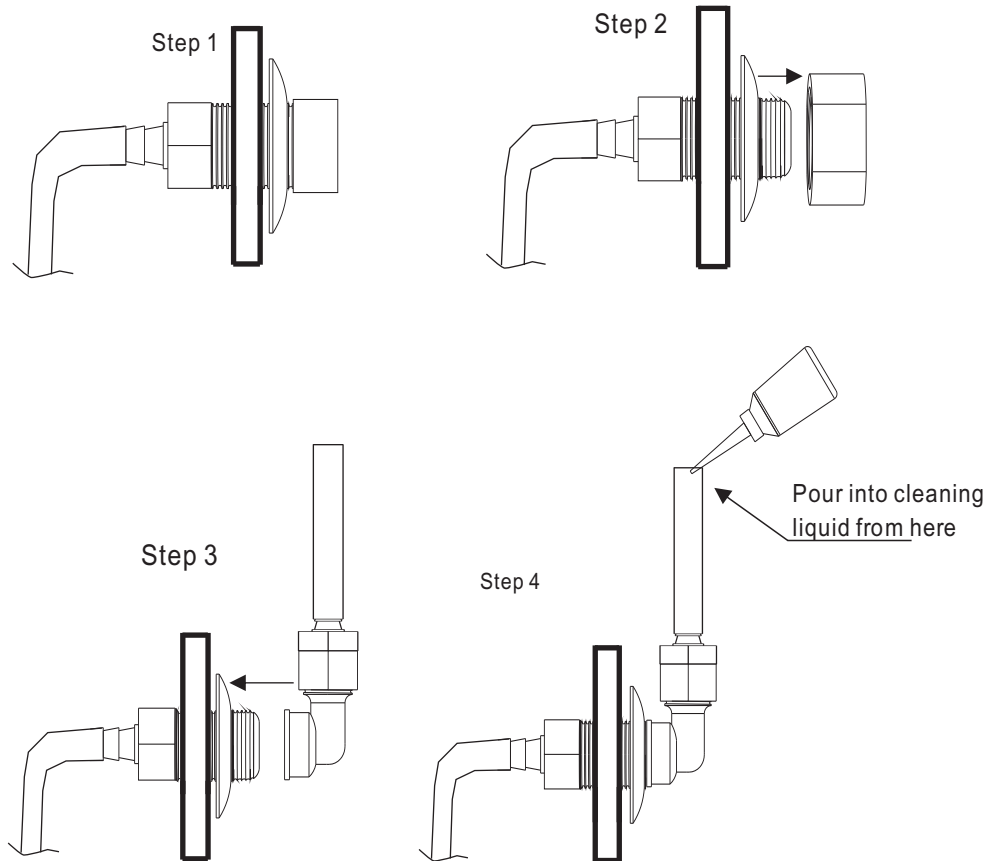



Self-clean system



INSTALL DIRECTION



Cleaning method :

- 1.Clean the steam engine regularly at least once by every 2weeks or after using 20 times.
- 2.Inject citric acid as main cleaning liquid,add 1.5L each time.after 10 minutes, turn on and When the system turns on, press  button to start the steam function for about 30seconds and then shut down the system.After vent the stagnant water,repeat 2 or 3 times.
- 3.CAUTION: The system must be shut down before injecting cleaning liquid .



YH300



YH300A



YH301



YH301A



YH302



YH302A

Your best choice!

Dear users:

Thanks for choosing our products, for the purpose of safety, please read this manual carefully before use.

The instruction manual be the same with the following steam room:

YH300/300A
YH301/301A
YH302/302A

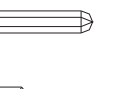






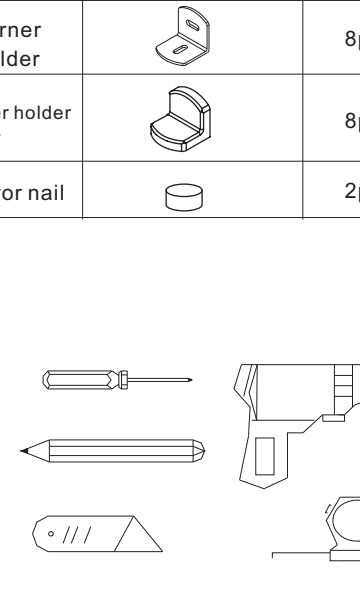
ATTENTIONS

- 1.It is recommended to fix a reliable leakage protector and earth line. Test the leakage protector every time before use.
- 2.Drunk, high blood pressure, heart disease people are not allowed to use this product, Children should be guided by adults.
- 3.Adjust the water temperature before taking shower, don't spray hot water to your body. Steam outlet and drain pipe may be in high temperature, keep away from them.
- 4.Watch out to avoid falling down when entering the steam room, don't put hands into the door gap.
- 5.Please don't use hard wares to knock at the steam room.
- 6.Clean the tray after taking shower, to remove the soap or foam on the tray.
- 7.If the glass seal separate from the door, please refix it to avoid leaking water.
- 8.Use the tooth paste to clean the dirt on the tray.
- 9.Keep the tray clean to avoid blocking the drain.
- 10.Please don't hang heavy articles on the steam room or handrail.
- 11.After use, please turn off water and power supply, to avoid long time working of the product.
- 12.Please dispose of the product according to the local law when it is out of use.
- 13.Please contact the dealer if you have any problems.

TECHNIQUE PARAMETER

Voltage	Frequency	Water Volatge	Power of steam generator
AC110V	60Hz	0.1~0.2Mpa	2.65KW

Packing list

Packing 1	two pieces of glass body, two pieces of fixed glass door, one piece of sliding glass door, two pieces of corner plastic seal , six pieces of water resist strip, two pieces of magnetic strip,two pieces of single side plastic seal .			
Packing 2	one tray,one roof,one piece of mirror,one piece of handle.			
Spare parts list	one set shower,one set of glass towel shelf,two sets of hinge,sixty pieces of corner holder,eight pieces of corner holder cover,twenty-four pieces of decorating cover, one instruction,M6*20 screw(2),M6*16 screw(1),ST5*25 screw(4),ST4*20 screw(3),two pieces of screw(7).			
	SCREW (1)	M6x16		8pcs
	SCREW (2)	M6x20		16pcs
	SCREW (3)	ST4x20		10pcs
	SCREW (4)	St5x25		10pcs
	SCREW (5)	corner holder		8pcs
	SCREW (6)	corner holder cover		8pcs
	SCREW (7)	mirror nail		2pcs
				

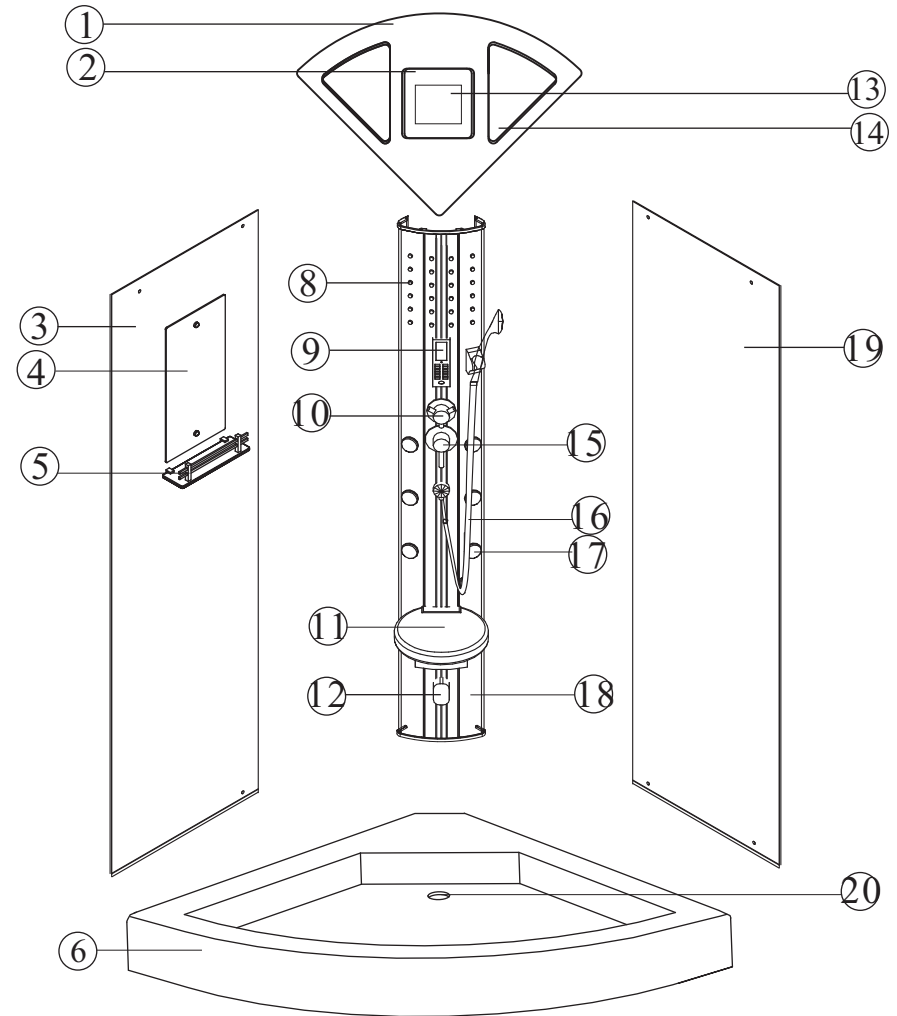
Attention:

The machine must be fixed in the circuit which protected by creepage protection and should be well-connected with the ground. Nontechnical people can not be fixed or removed at random.

6. Technical parameter

Model	Voltage	Current	Power	protecting electrifying	Waterproof Grade
KL-824	110V	25A	2650W	I	Ip4
Top light	Sidelight	Fan	Water inlet valve	Water drain valve	
20W	5W	3.5W	6W	7W	
AC12V	AC12V	DC12V	DC12V	DC12V	

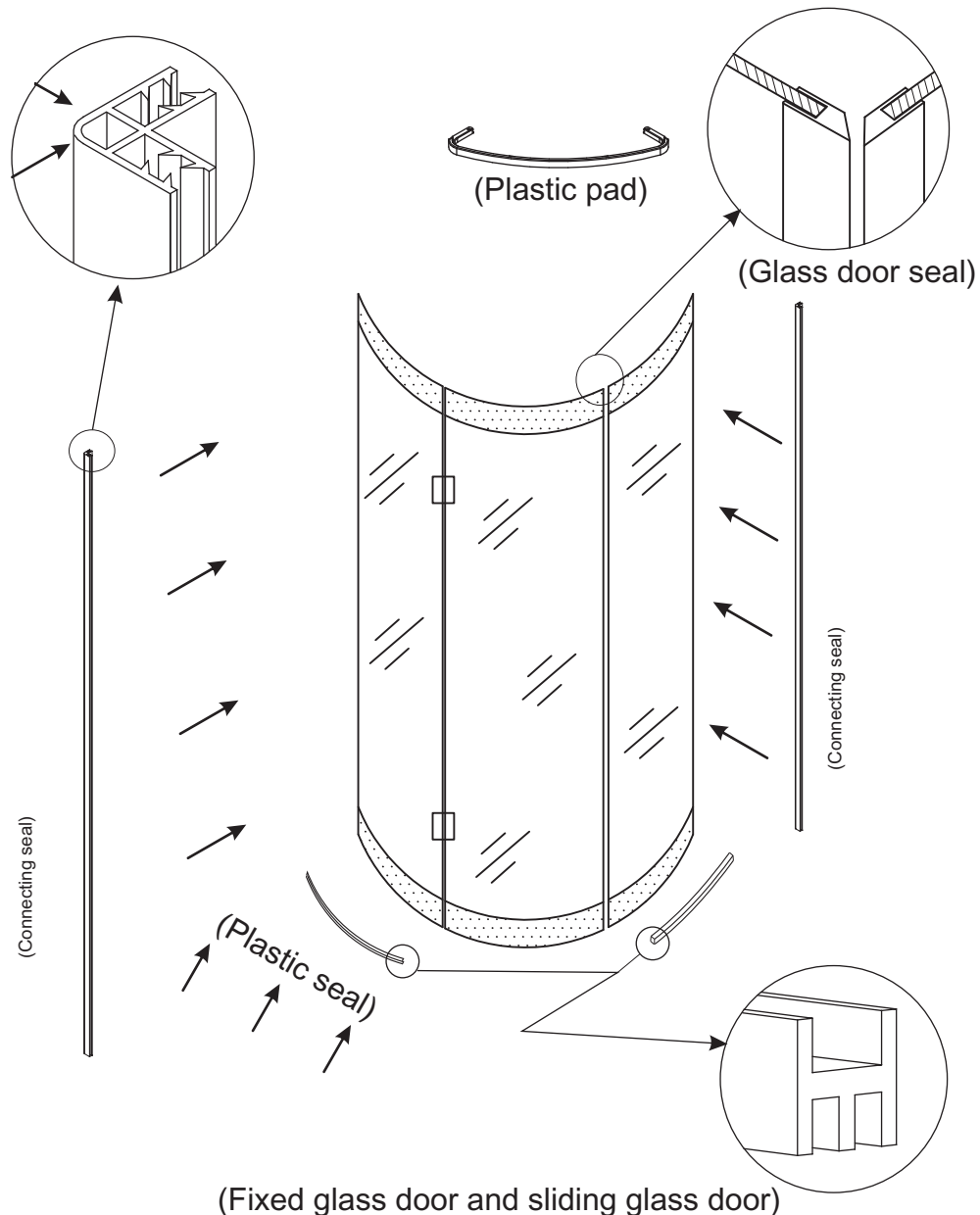
302/302A STRUCTURE SKETCH (Other models can refer to this model)





- | | | |
|-------------------|-------------------------|---------------------|
| 1.ABS roof | 8.wall lamp | 16.hand held shower |
| 2.top lamp | 9.control panel | 17.back jet |
| 3.side glass body | 10.shift valve | 18.Aluminium board |
| 4.mirror | 11.seat | 19.side glass body |
| 5.glass rack | 12.steam outlet | 20.drainage |
| 6.tray | 13.top shower | |
| | 14.exhaust fan | |
| | 15.hot/cold water mixer | |

302/302A ACCESSORIES




(Other models can refer to this model)




(1) The electrical pitch

Press  pitch can open the machine, the temperature is the room temperature. The time will show 30m. At the same time, it will open the ceiling lamp. Press  again will close all the functions. (After the closure of the machine, the water case will drain for 2 minutes)


(2) The application of the back lamp

Press , the sidelight is on. Press  again, the ceiling lamp is out, press  a third press, the sidelight is out too.



3) The steam function



Press , startup the steam function, the water case will pump water automatically. After 60 minutes or so, it will generate steam. (When the water case is lack of water, the controller will replenish automatically)

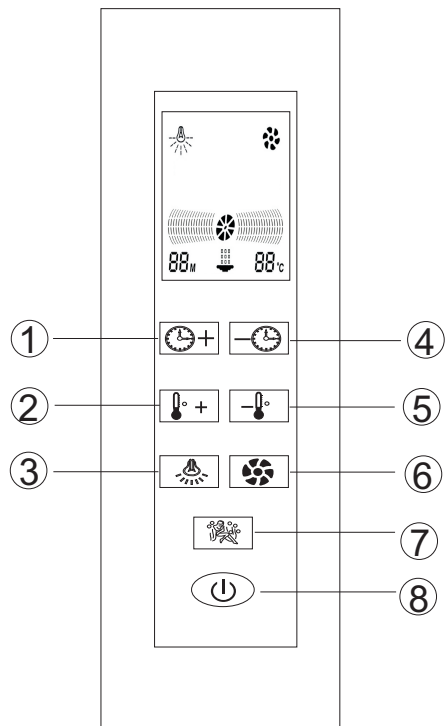
(4) The air draft function

Under the condition of turning on, press  can start up air draft function, press again will close it.

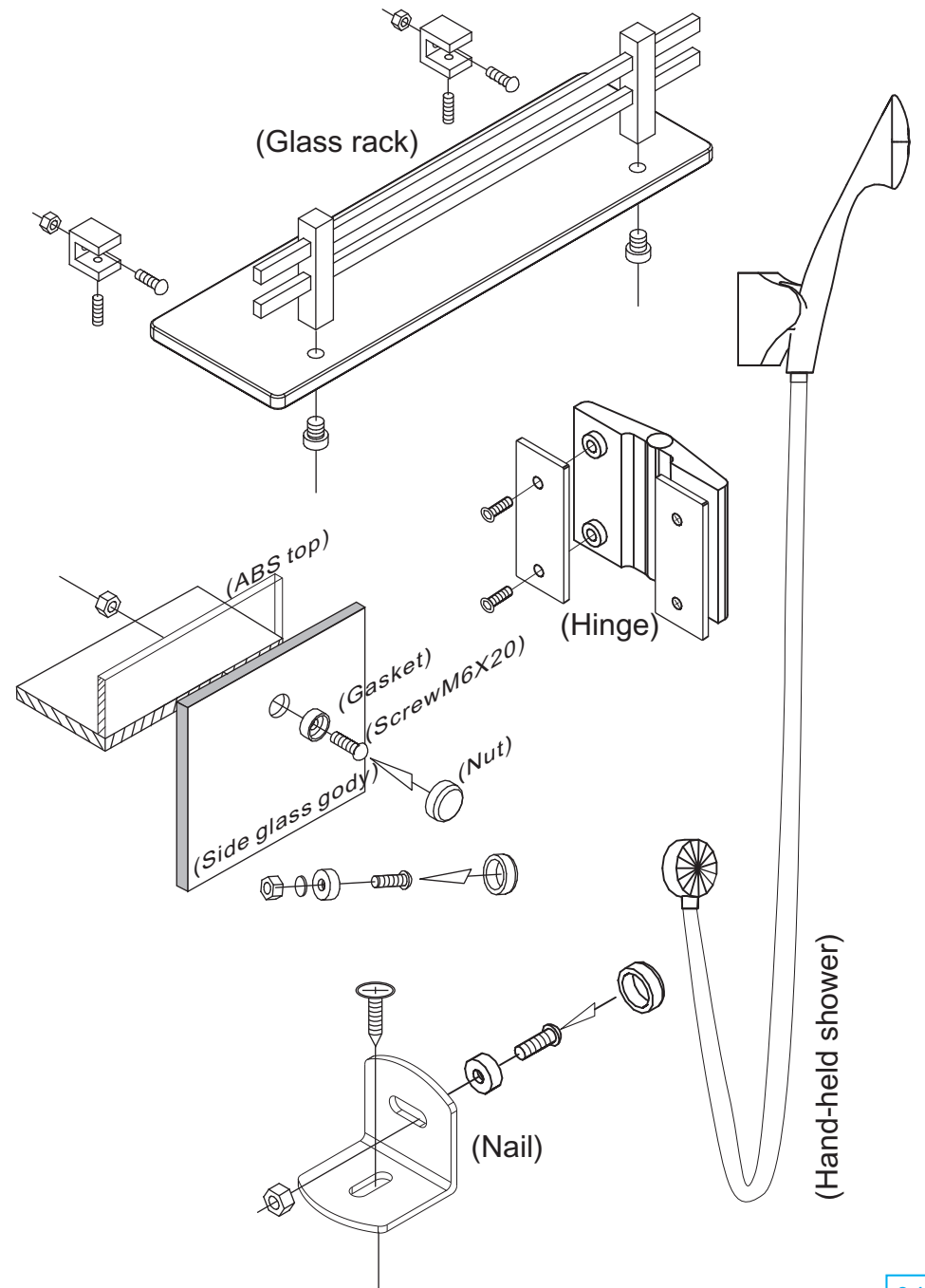
(5) The setting of time or temperature

1. Press   pitch can adjust the time from 1-99.

2. Press   pitch can adjust the temperature from 30-60 .

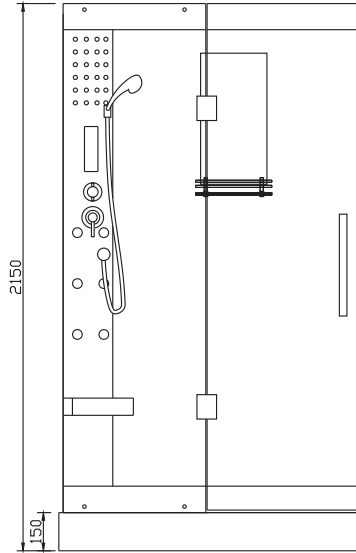
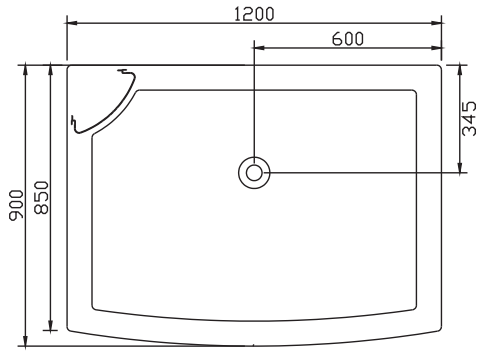


- ① Time adjustment pitch+
- ② Temperature adjustment pitch+
- ③ Ceiling Lamp/Back Lamp pitch
- ④ Time adjustment pitch-
- ⑤ Temperature adjustment pitch-
- ⑥ Fan Pitch
- ⑦ Steam Pitch
- ⑧ Main Cock Pitch



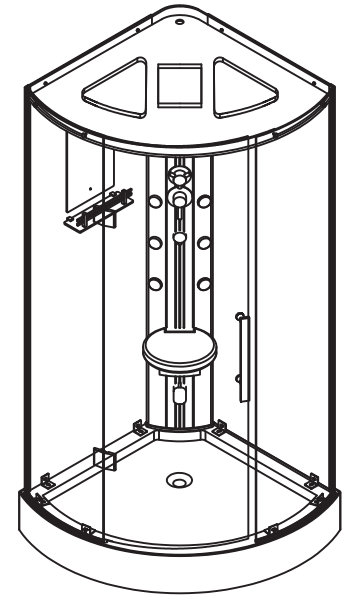
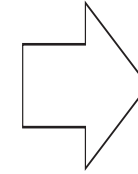
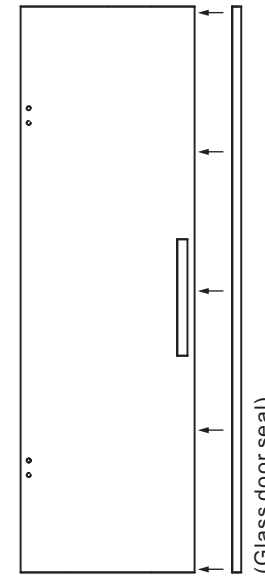
THE DRAFT AND SIZE FOR THE DIFFERENT MODELS

Model:YH300(clear glass)
Model:YH300A(blue glass)
Size:1200X900X2150mm

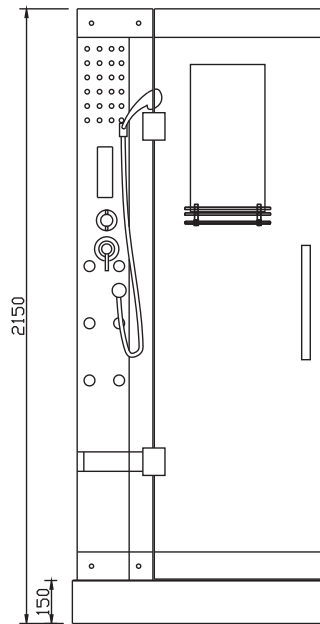
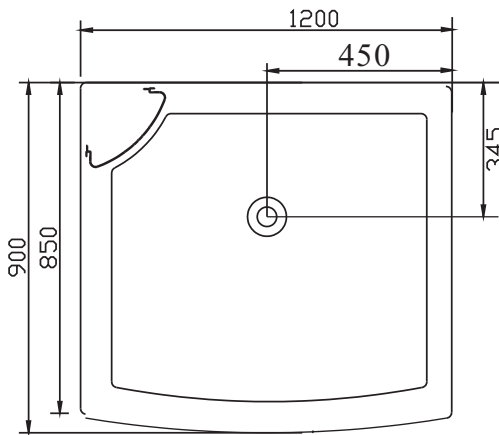


8、Install the gliding glass door

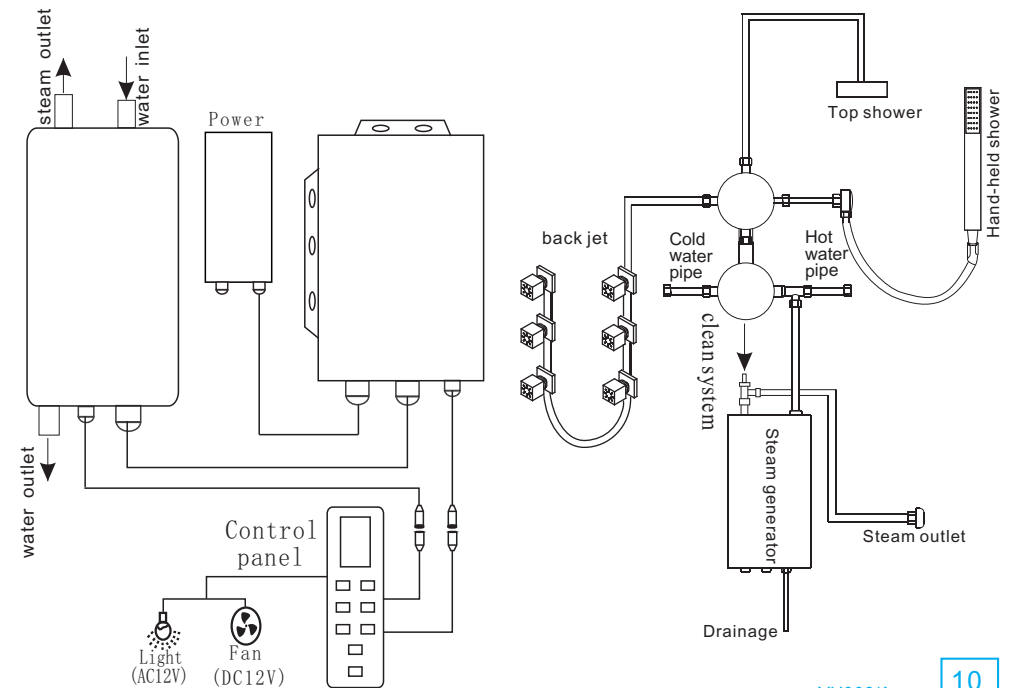
- 1.Adjust the tray to be horizontal by a horizontal meter.
- 2.Fasten the up and down nail (no space left), at the same time keep the back and side glass body vertical to the tray.
- 3.Fix the hinge onto the fixed glass door, make it be horizontal to the tray.
- 4.Put the sliding glass door on a wood a little higher than the tray, then fix it with the hinge.



Model:YH301(clear glass)
Model:YH301A(blue glass)
Size:900X900X2150mm
1000X1000X2150mm



Water and electric circuit sketch

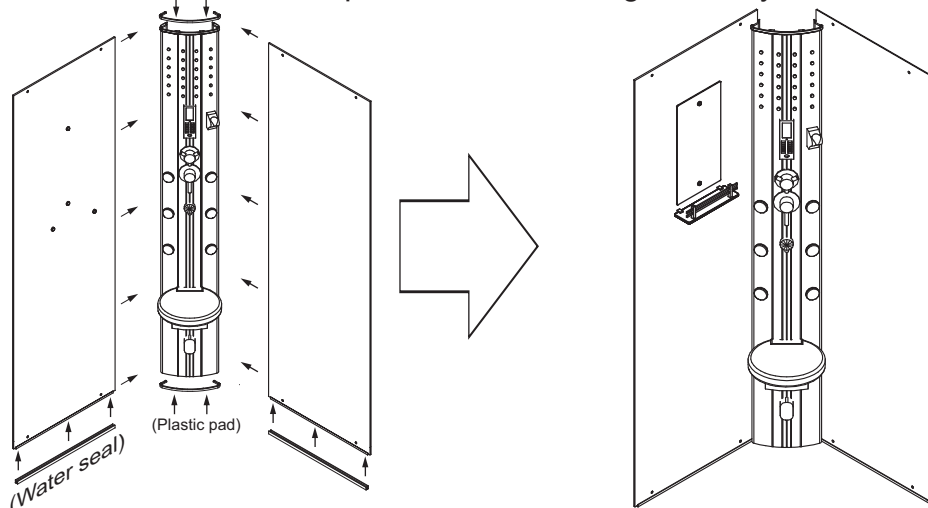


● **INSTALLATION PROCESS OF 302/302A**
 (Other models can refer to this model)

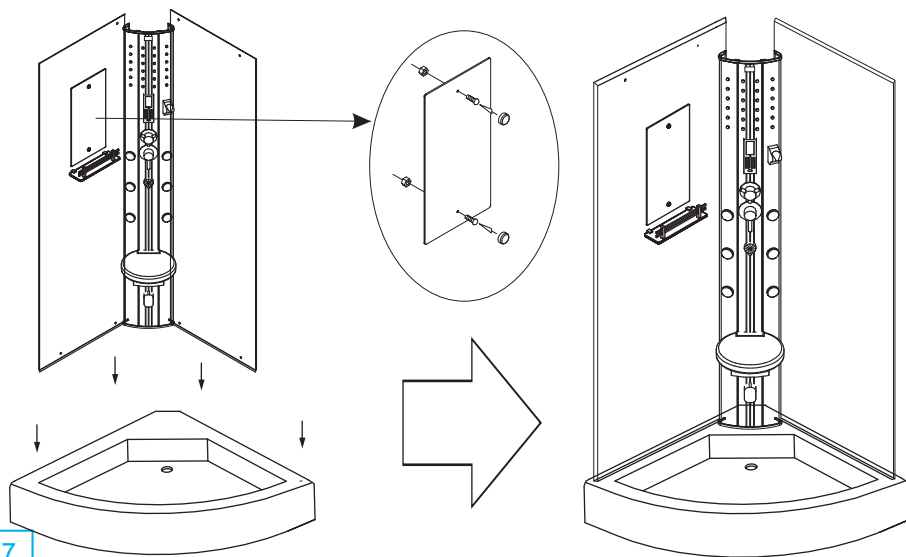
1、Install the bottom tray:

If the ground is not horizontal, please regulate the screw of the bottom tray , make the bottom tray and ground keep competence.

2、Install the aluminium panel and the back glass body

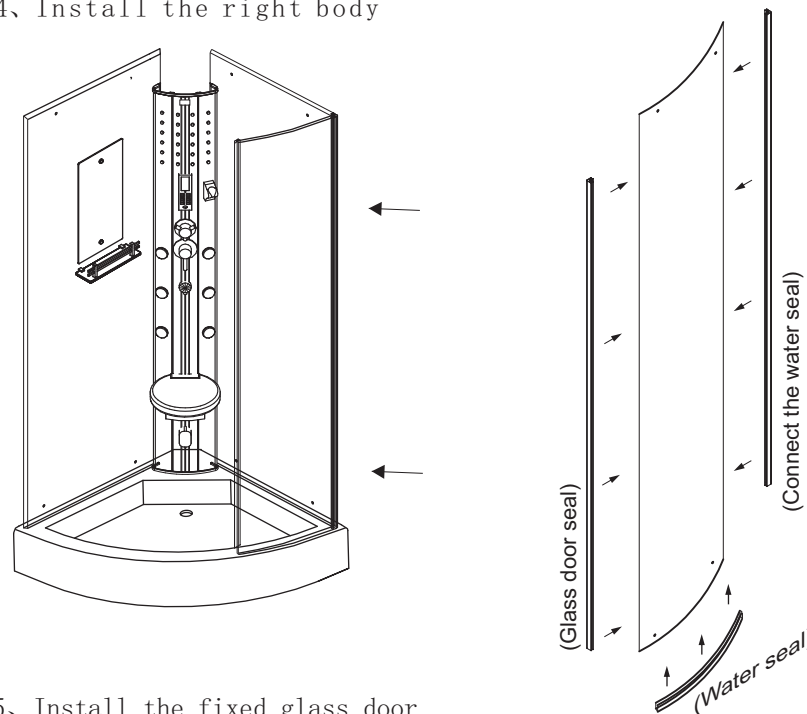


3、Installation of body room together with bottom tray

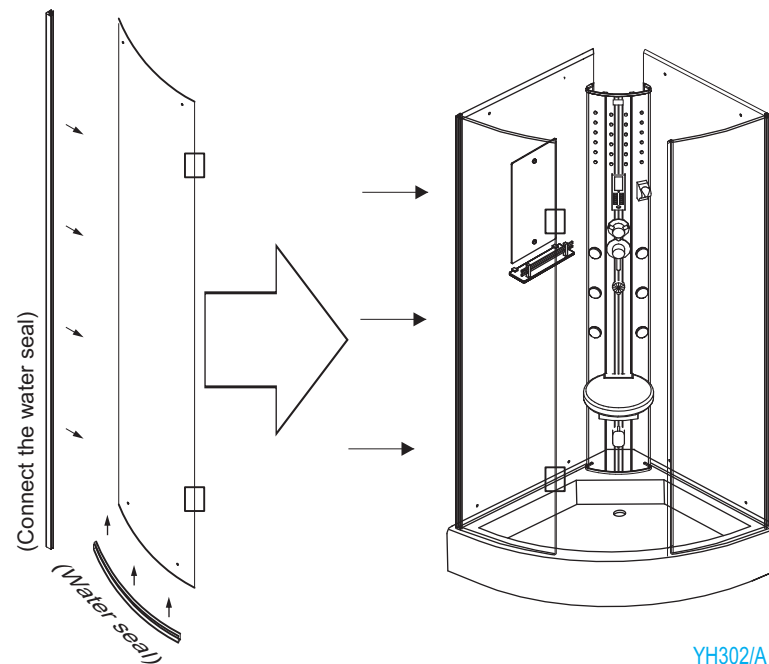


07

4、Install the right body



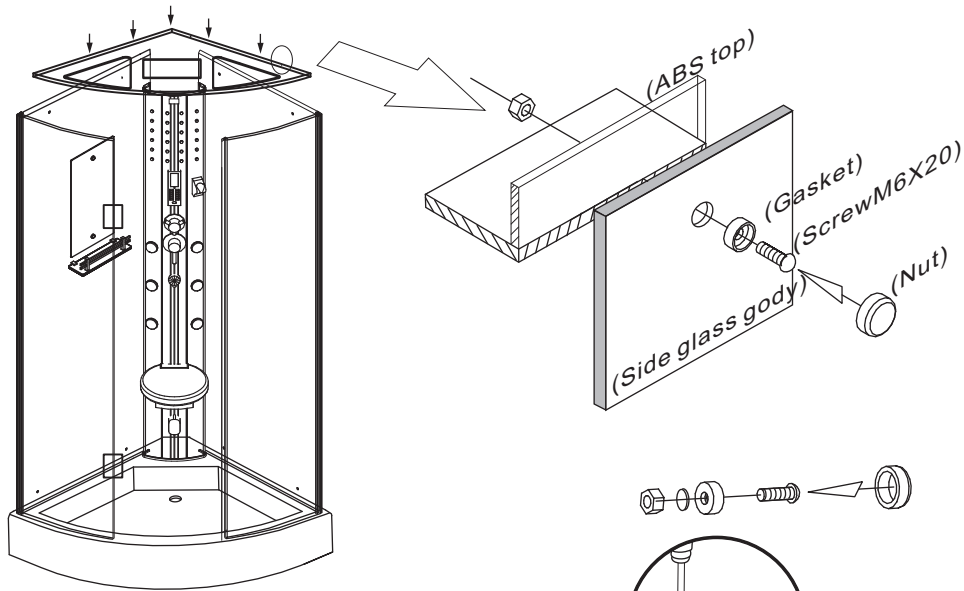
5、Install the fixed glass door



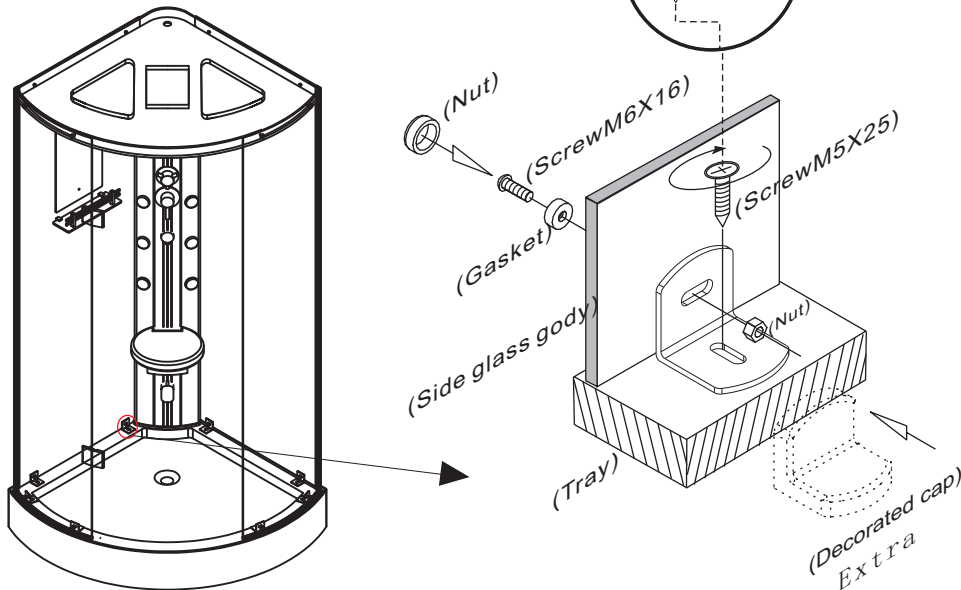
YH302/A

08

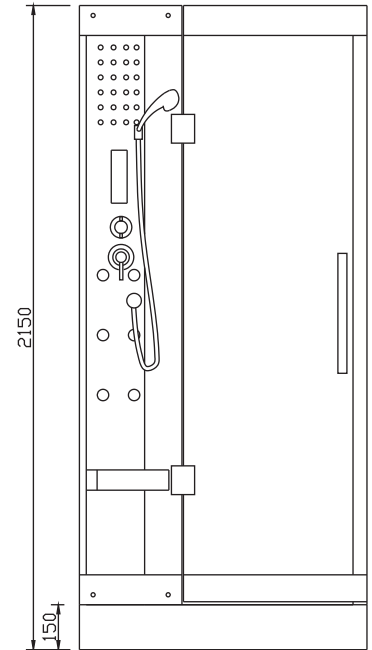
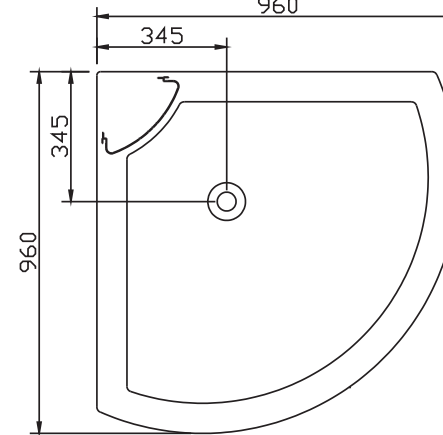
6、Install the ABS top



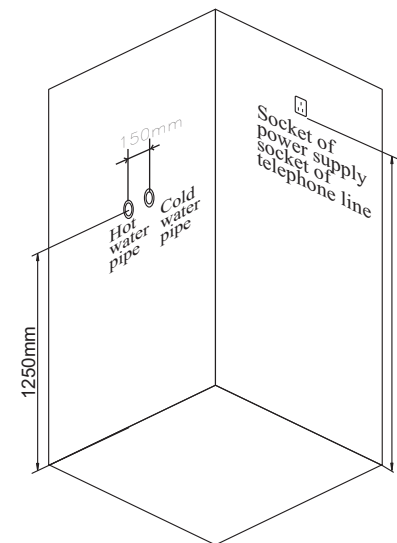
7、Fix the nail



Model: YH302 (clear glass)
 Modle: YH302A (blue glass)
 Size: 900X900X2150mm
 960X960X2150mm



● INSTALLATION GUIDE



1. The plumbing and the circuit of this product must be installed by the qualified mechanic or the professional personnel who is appointed by the distributor. It is recommended to install the general switch of the power supply and the leakage protector.
2. The socket of the power supply must be installed above the steam generator; the power source wire must be long enough to reach waterproof area; the distance from the socket to the ground should be more than 1800mm.
3. It is recommended to install the general switch for cold and hot water supply, and connect the drain pipe to the limbers.
4. After the position is confirmed, assemble the steam room according to the installation sketch.