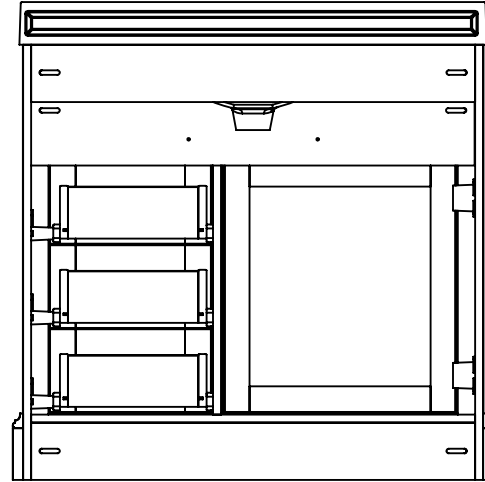
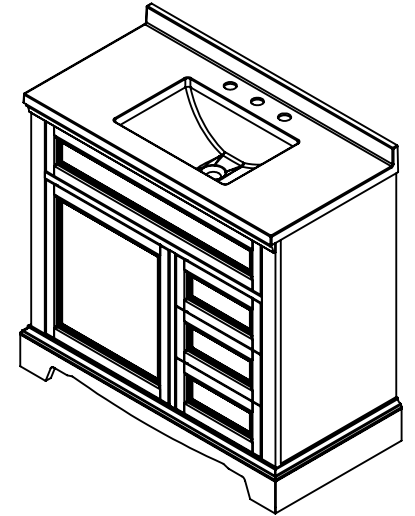


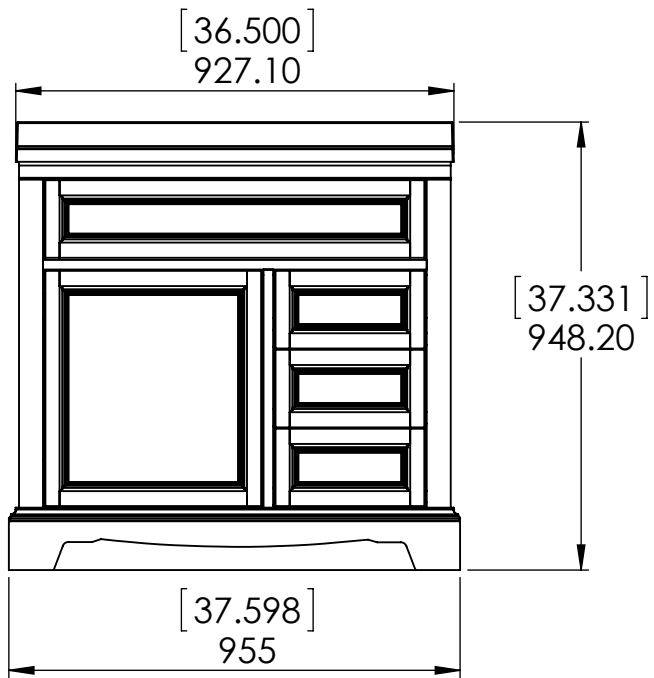
Top View



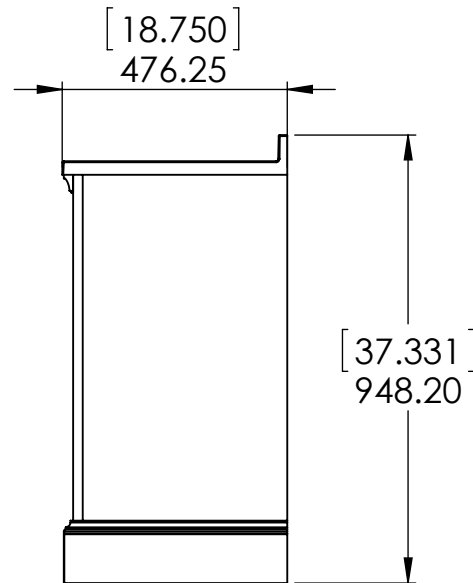
Bck View



Isometric view



Front View



Side View

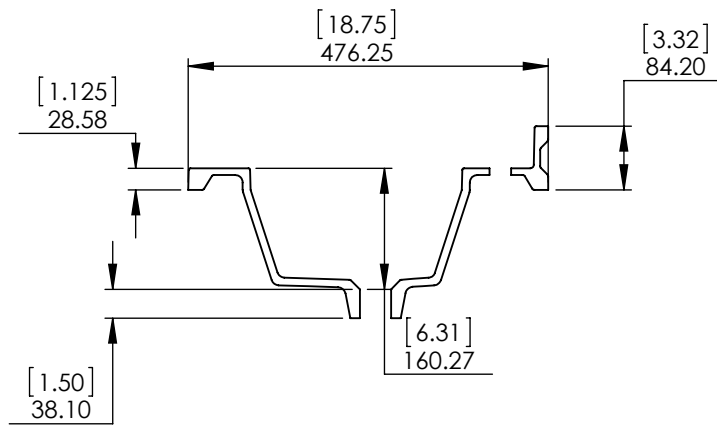
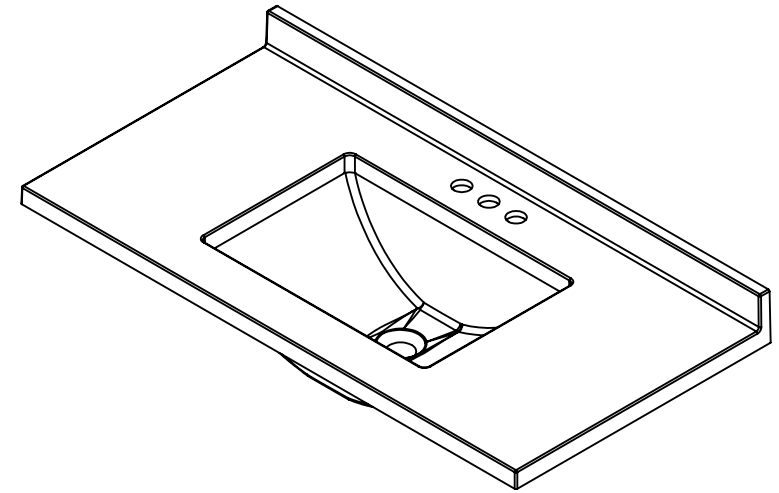
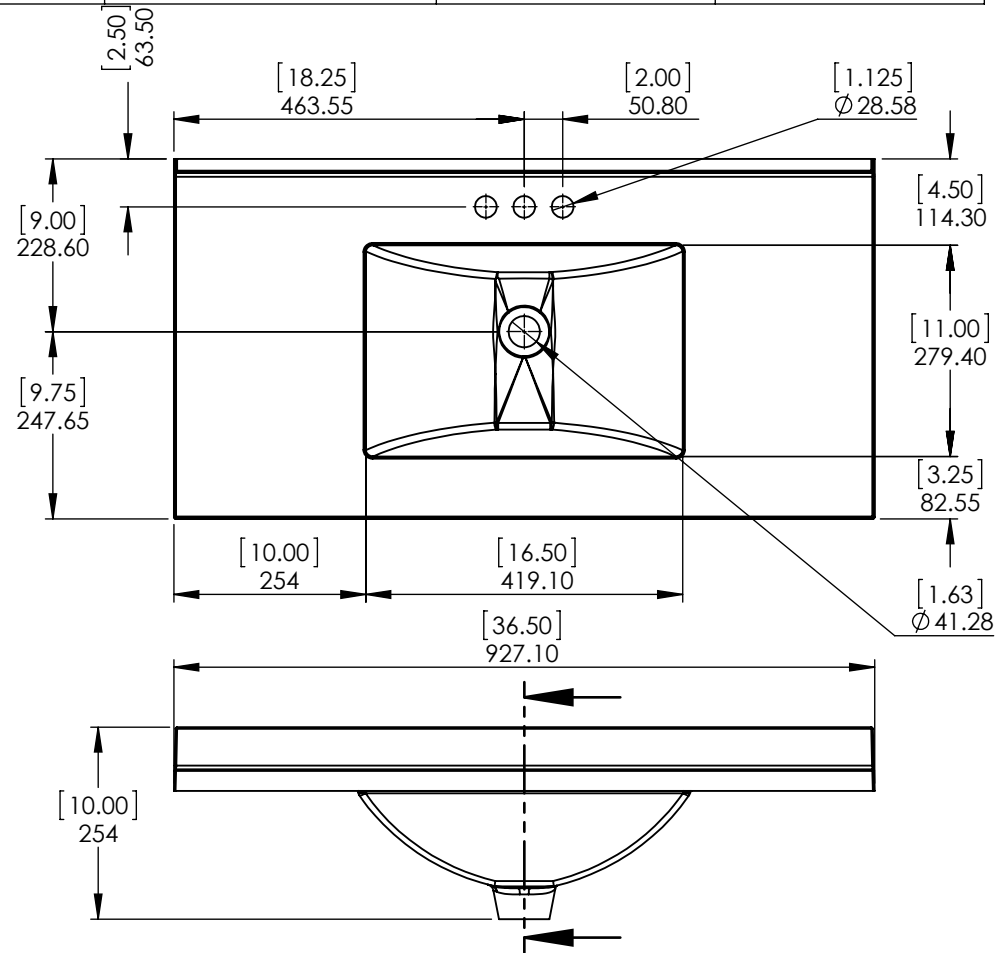
Wood Crafters

ITEM:	WP36P2-CR/DK	REV	A
NAME:	Windsor Park 36		

DWR	RZG	22/07/16	MATERIAL:	-
REV	ING	22/07/16		
APP	R&D	22/07/16		
SCALE: 1:20	MODELO:	Vanity Windsor Park 36in		

ID	Description	Technology	Status
595455	Vtop Rect 36.5x18.75 White	Solid White	Approved for production
595458	Vtop Rect 36.5x18.75 SS Autumn	Solid Surface	Approved for production
595541	Vtop Rect 36.5x18.75 SS Corsica 4in	Solid Surface	Approved for production

Rev #	Approved by	Change
0	R. Rubio	Released



NOTE: MAX. WARPAGE
TOLERANCE 1/8"

PROPRIETARY AND CONFIDENTIAL

THE INFORMATION CONTAINED IN THIS DRAWING IS THE SOLE PROPERTY OF WOODCRAFTERS. ANY REPRODUCTION IN PART OR AS A WHOLE WITHOUT THE WRITTEN PERMISSION OF WOODCRAFTERS IS PROHIBITED.

UNLESS OTHERWISE SPECIFIED

DIMENSIONS ARE IN MM. AND (INCHES)

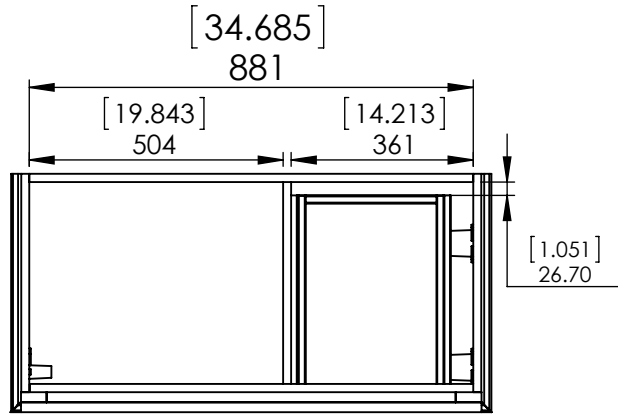
TOLERANCES ARE
+0.125 [3.175] -0.125 [-3.175]

SCALE:1:10

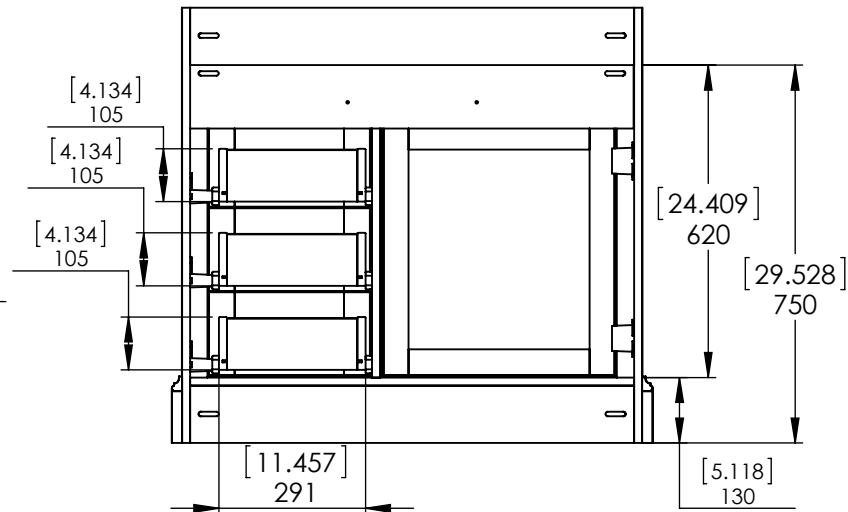
	NAME	DATE
DRAWN	R. Rubio	01/04/16
CHECKED	R. Rubio	01/04/16
ENG APPR.	R. Rubio	01/04/16
MFG APPR.	C. Leal	01/04/16



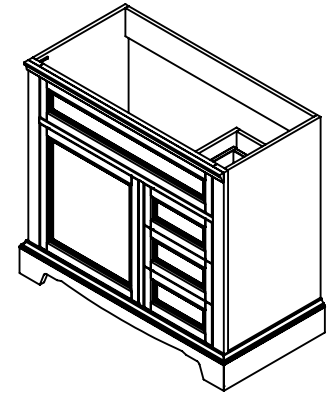
SIZE	DWG. NO.	SHEET 1 OF 1	REV. 0
A	Vtop Rect 36.5x18.75 4in		



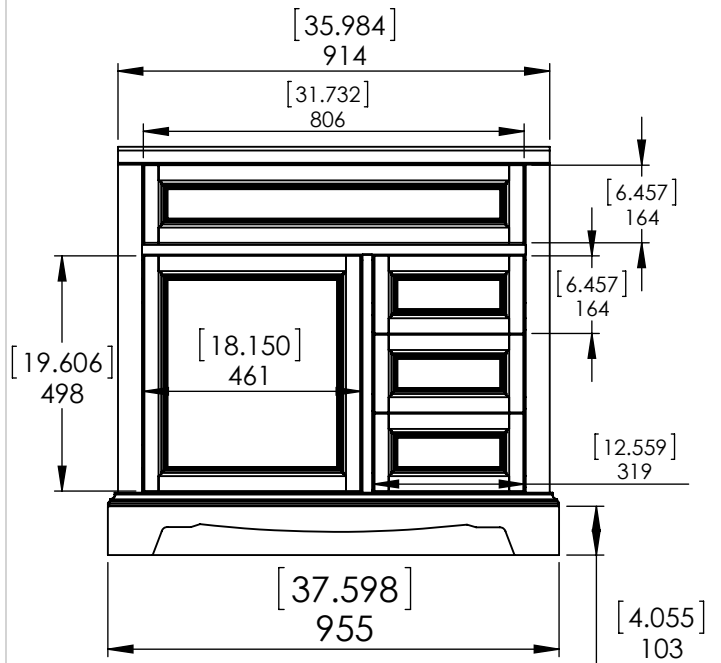
Top View



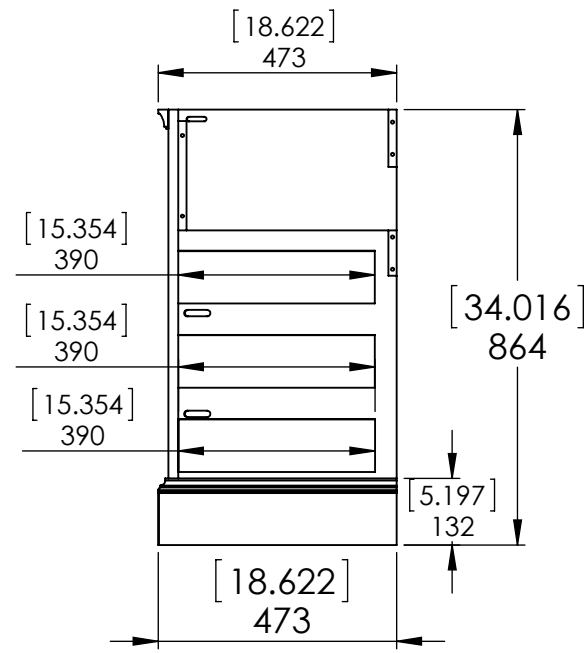
Bck View



Isometric view



Front View



Side View



ITEM:	WP36P2-CR/DK	REV	A
-------	--------------	-----	---

NAME:	Windsor Park 36
-------	-----------------

DWR	RZG	22/07/16	MATERIAL:	-
REV	ING	22/07/16		
APP	R&D	22/07/16		
SCALE: 1:20	MODELO:	Vanity Windsor Park 36in		