

*If you have questions or comments, contact us.  
Pour toute question ou tout commentaire, nous contacter.  
Si tiene dudas o comentarios, contáctenos.*

1-888-895-4549 • [www.DEWALT.com](http://www.DEWALT.com)

INSTRUCTION MANUAL  
GUIDE D'UTILISATION  
MANUAL DE INSTRUCCIONES

INSTRUCTIVO DE OPERACIÓN, CENTROS DE SERVICIO Y  
PÓLIZA DE GARANTÍA. **ADVERTENCIA:** LÉASE ESTE  
INSTRUCTIVO ANTES DE USAR EL PRODUCTO.

# DEWALT®

**DXCM201**

*Single Stage, Belt Drive, Electric Air Compressor*

*Compresseurs d'air électriques à un étage à entraînement par courroie*

*Compresores eléctricos de aire, de una sola etapa y accionamiento por correa*

## Air Compressor

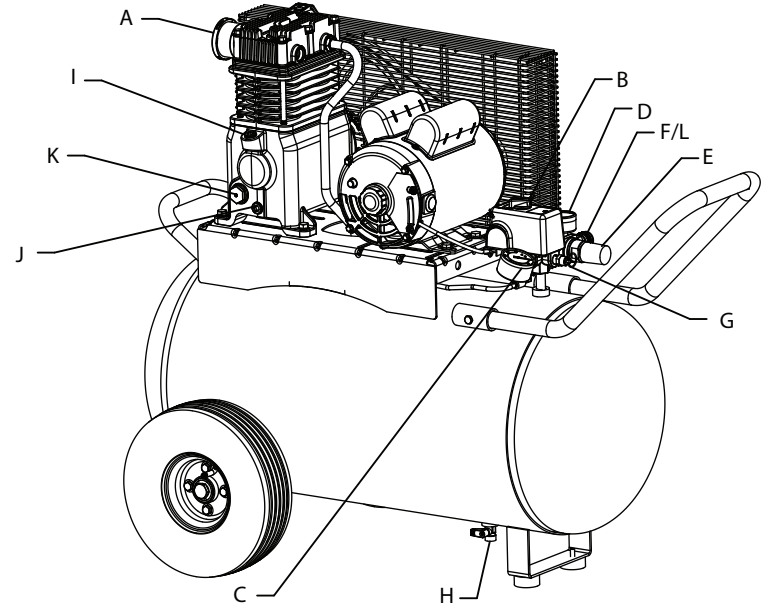
- A. Pump Air Intake Filter
- B. Auto(-)/Off(O) Switch
- C. Air Tank Pressure Gauge
- D. Regulated Pressure Gauge
- E. Pressure Regulator
- F. Air Outlet
- G. Safety Valve
- H. Air Tank Drain Valve
- I. Pump Oil Fill Plug
- J. Pump Oil Drain Plug
- K. Pump Oil Sight Glass
- L. Quick Connect

## Pump Specifications

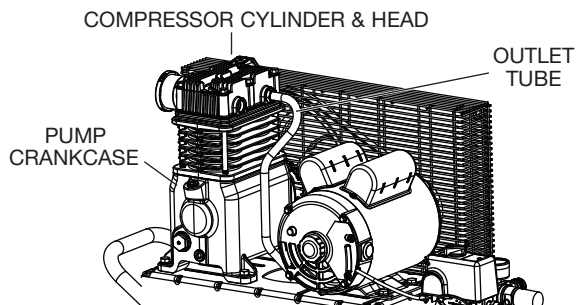
- 2 Cylinder
- Single Stage
- Oil Lubricated
- Cast iron crankcase, cylinder, and aluminum head
- Weight: 27.0 lbs (12.2 kg.)
- Oil Capacity: 16 fl. oz. (473 mL)

## Specifications

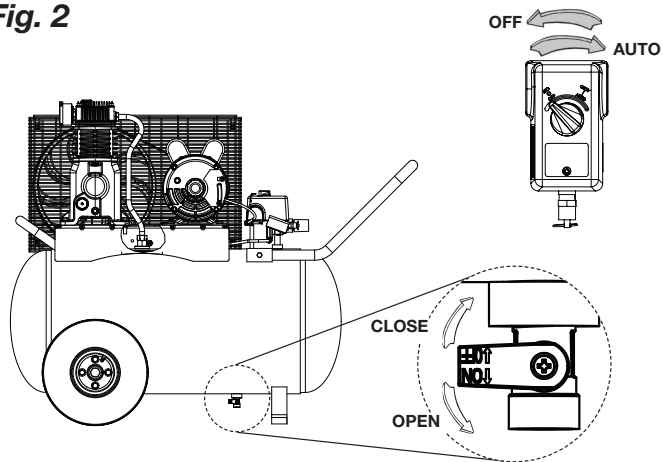
<b>MODEL</b>	<b>DXCM201</b>	<b>APPROX. CUT OUT PRESSURE</b>	200 PSI
<b>WEIGHT</b>	137 lbs. (62.1 kg)	<b>AIR DELIVERY</b>	6.2 SCFM @ 90 PSI
<b>HEIGHT</b>	32"	<b>TANK FILL TIME</b>	5.5 MINUTES
<b>WIDTH</b>	22"	<b>INPUT</b>	120V, 60HZ, SINGLE PHASE AC ONLY, 15 AMPS
<b>LENGTH</b>	33" WITHOUT FRONT HANDLE	<b>MIN. BRANCH CIRCUIT REQ</b>	20 AMPS
<b>AIR TANK CAPACITY</b>	20 GALLONS (75.7 L)	<b>FUSE TYPE</b>	TIME DELAY



**Fig. 1 Hot Surfaces**

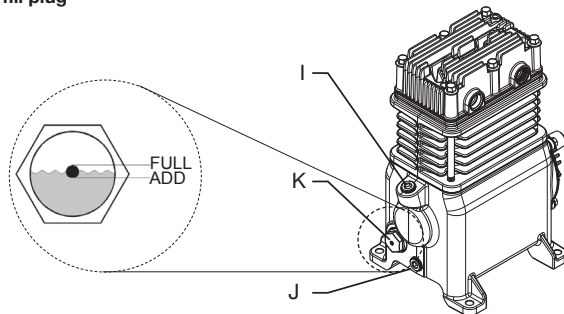


**Fig. 2**



**Fig. 3**

J = Oil drain plug  
K = Oil level sight glass  
I = Oil fill plug



### **Definitions: Safety Guidelines**

The definitions below describe the level of severity for each signal word. Please read the manual and pay attention to these symbols.

**⚠ DANGER:** Indicates an imminently hazardous situation which, if not avoided, **will** result in **death or serious injury**.

**⚠ WARNING:** Indicates a potentially hazardous situation which, if not avoided, **could** result in **death or serious injury**.

**⚠ CAUTION:** Indicates a potentially hazardous situation which, if not avoided, **may** result in **minor or moderate injury**.

**NOTICE:** Indicates a practice **not related to personal injury** which, if not avoided, **may** result in **property damage**.

IF YOU HAVE ANY QUESTIONS OR COMMENTS ABOUT THIS OR ANY DeWALT TOOL, CALL US TOLL FREE AT: **1-888-895-4549**

### **Important Safety Instructions**

**⚠ WARNING:** Do not operate this unit until you read this instruction manual for safety, operation and maintenance instructions.

**WARNING: CONTAINS LEAD.** May be harmful if eaten or chewed. May generate dust containing lead. Wash hands after use. Keep out of reach of children.

**⚠ WARNING:** This product can expose you to chemicals including lead, which is known to the State of California to cause cancer and birth defects or other reproductive harm. For more information go to [www.P65Warnings.ca.gov](http://www.P65Warnings.ca.gov).

## SAVE THESE INSTRUCTIONS



### **⚠ DANGER: RISK OF EXPLOSION OR FIRE**

#### WHAT CAN HAPPEN

- It is normal for electrical contacts within the motor and pressure switch to spark.
- If electrical sparks from compressor come into contact with flammable vapors, they may ignite, causing fire or explosion.
- Restricting any of the compressor ventilation openings will cause serious overheating and could cause fire.

#### HOW TO PREVENT IT

- Always operate the compressor in a well ventilated area free of combustible materials, gasoline, or solvent vapors.
- If spraying flammable materials, locate compressor at least 20' (6.1 m) away from spray area. An additional length of air hose may be required.
- Store flammable materials in a secure location away from compressor.
- Never place objects against or on top of compressor.
- Operate compressor in an open area at least 12" (30.5 cm) away from any wall or obstruction that would restrict the flow of fresh air to the ventilation openings.
- Operate compressor in a clean, dry, well ventilated area. Do not operate unit in any confined area. Store indoors.

- Unattended operation of this product could result in personal injury or property damage. To reduce the risk of fire, do not allow the compressor to operator unattended
- Always remain in attendance with the product when it is operating.
- Always turn off and unplug unit when not in use.



### **⚠ DANGER: RISK TO BREATHING (ASPHYXIATION)**

#### WHAT CAN HAPPEN

- The compressed air directly from your compressor is not safe for breathing. The air stream may contain carbon monoxide, toxic vapors, or solid particles from the air tank. Breathing these contaminants can cause serious injury or death.
- Exposure to chemicals in dust created by power sanding, sawing, grinding, drilling and other construction activities may be harmful.
- Sprayed materials such as paint, paint solvents, paint remover, insecticides, weed killers, may contain harmful vapors and poisons.

#### HOW TO PREVENT IT

- Never use air obtained directly from the compressor to supply air for human consumption. The compressor is not equipped with suitable filters and in-line safety equipment for human consumption.
- Work in an area with good cross ventilation. Read and follow the safety instructions provided on the label or safety data sheets for the materials you are spraying. Always use certified safety equipment: NIOSH/OSHA respiratory protection or properly fitting face mask designed for use with your specific application.



### **▲ DANGER: RISK OF BURSTING**

Air Tank: On February 26, 2002, the U.S. Consumer Product Safety Commission published Release # 02-108 concerning air compressor tank safety:

Air compressor receiver tanks do not have an infinite life. Tank life is dependent upon several factors, some of which include operating conditions, ambient conditions, proper installations, field modifications, and the level of maintenance. The exact effect of these factors on air receiver life is difficult to predict.

If proper maintenance procedures are not followed, internal corrosion to the inner wall of the air receiver tank can cause the air tank to unexpectedly rupture allowing pressurized air to suddenly and forcefully escape, posing risk of injury to consumers.

Your compressor air tank must be removed from service by the end of the year shown on your tank warning label.

The following conditions could lead to a weakening of the air tank, and result in a violent air tank explosion:

#### **WHAT CAN HAPPEN**

- Failure to properly drain condensed water from air tank causes rust and thinning of the steel air tank.
- Modifications or attempted repairs to the air tank.

#### **HOW TO PREVENT IT**

- Drain air tank daily or after each use. If air tank develops a leak, replace it immediately with a new air tank or replace the entire compressor.
- Never drill into, weld or make any modifications to the air tank or its attachments. Never attempt to repair a damaged or leaking air tank. Replace with a new air tank.

- Unauthorized modifications to the safety valve, or any other components which control air tank pressure.
- The air tank is designed to withstand specific operating pressures. Never make adjustments or part substitutions to alter the factory set operating pressures.

#### **Attachments & Accessories:**

- Exceeding the pressure rating of air tools, spray guns, air operated accessories, tires and other inflatables can cause them to explode or fly apart, and could result in serious injury.
- Follow the equipment manufacturers recommendation and never exceed the maximum allowable pressure rating of attachments. Never use compressor to inflate small low pressure objects such as children's toys, footballs, basketballs, etc.

#### **Tires:**

- Over inflation of tires could result in serious injury and property damage.
- Use a tire pressure gauge to check the tires pressure before each use and while inflating tires; see the tire sidewall for the correct tire pressure.

**NOTE:** Air tanks, compressors and similar equipment used to inflate tires can fill small tires very rapidly. Adjust pressure regulator on air supply to no more than the rating of the tire pressure. Add air in small increments and frequently use the tire gauge to prevent over inflation.



**⚠ DANGER: RISK OF INJURY OR PROPERTY DAMAGE WHEN TRANSPORTING OR STORING**

**WHAT CAN HAPPEN**

- Oil can leak or spill and could result in fire or breathing hazard; serious injury or death can result. Oil leaks will damage carpet, paint or other surfaces in vehicles or trailers.

**HOW TO PREVENT IT**

- Always place compressor on a protective mat when transporting to protect against damage to vehicle from leaks. Remove compressor from vehicle immediately upon arrival at your destination. Always keep compressor level and never lie on its side.



**⚠ WARNING: RISK FROM FLYING OBJECTS**

**WHAT CAN HAPPEN**

- The compressed air stream can cause soft tissue damage to exposed skin and can propel dirt, chips, loose particles and small objects at high speed, resulting in property damage or personal injury.

**HOW TO PREVENT IT**

- Always wear certified safety equipment: ANSI Z87.1 eye protection (CAN/CSA Z94.3) with side shields when using the compressor.
- Never point any nozzle or sprayer toward any part of the body or at other people or animals.
- Always turn the compressor off and bleed pressure from the air hose and air tank before attempting maintenance, attaching tools or accessories.



**⚠ WARNING: RISK OF HOT SURFACES**

**WHAT CAN HAPPEN**

- Touching exposed metal such as the compressor head or outlet tubes, can result in serious burns.

**HOW TO PREVENT IT**

- Never touch any exposed metal parts on compressor during or immediately after operation. Compressor will remain hot for several minutes after operation
- Do not reach around protective shrouds or attempt maintenance until unit has been allowed to cool.



**⚠ WARNING: RISK OF ELECTRICAL SHOCK**

**WHAT CAN HAPPEN**

- Your compressor is powered by electricity. Like any other electrically powered device, if it is not used properly it may cause electric shock.

**HOW TO PREVENT IT**

- Never operate the compressor outdoors when it is raining or in wet conditions.
- Never operate compressor with protective covers removed or damaged.

- Repairs attempted by unqualified personnel can result in serious injury or death by electrocution.
- Any electrical wiring or repairs required on this product should be performed by authorized service center personnel in accordance with national and local electrical codes.
- **Electrical Grounding:** Failure to provide adequate grounding to this product could result in serious injury or death from electrocution. Refer to **Grounding Instructions** paragraph in the *Installation* section.
- Make certain that the electrical circuit to which the compressor is connected provides proper electrical grounding, correct voltage and adequate protection.





### **⚠ WARNING: RISK OF UNSAFE OPERATION**

#### **WHAT CAN HAPPEN**

- Unsafe operation of your air compressor could lead to serious injury or death to you or others.

#### **HOW TO PREVENT IT**

- Review and understand all instructions and warnings in this manual.
- Become familiar with the operation and controls of the air compressor.
- Keep operating area clear of all persons, pets, and obstacles.
- Keep children away from the air compressor at all times.
- Do not operate the product when fatigued or under the influence of alcohol or drugs. Stay alert at all times.
- Never defeat the safety features of this product.
- Equip area of operation with a fire extinguisher.
- Do not operate machine with missing, broken, or unauthorized parts.
- Never stand on the compressor.



### **⚠ WARNING: RISK FROM MOVING PARTS**

#### **WHAT CAN HAPPEN**

- Moving parts such as the pulley, flywheel, and belt can cause serious injury if they come into contact with you or your clothing.
- Attempting to operate compressor with damaged or missing parts or attempting to repair compressor with protective shrouds removed can expose you to moving parts and can result in serious injury.

#### **HOW TO PREVENT IT**

- Never operate the compressor with guards or covers which are damaged or removed.
- Keep your hair, clothing and gloves away from moving parts. Loose clothes, jewelry or long hair can be caught in moving parts.
- Air vents may cover moving parts and should be avoided as well.
- Any repairs required on this product should be performed by a DEWALT factory service center or a DEWALT authorized service center.



### ⚠ **WARNING: RISK OF INJURY FROM LIFTING**

#### WHAT CAN HAPPEN

- Serious injury can result from attempting to lift too heavy an object.

#### HOW TO PREVENT IT

- The compressor is too heavy to be lifted by one person. Obtain assistance from others before lifting.



### ⚠ **CAUTION: RISK FROM NOISE**

#### WHAT CAN HAPPEN

- Under some conditions and duration of use, noise from this product may contribute to hearing loss.

#### HOW TO PREVENT IT

- Always wear certified safety equipment: ANSI S12.6 (S3.19) hearing protection.

## SAVE THESE INSTRUCTIONS FOR FUTURE USE

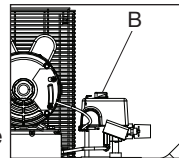
### Know Your Air Compressor

READ THIS OWNER'S MANUAL AND SAFETY RULES BEFORE OPERATING YOUR UNIT. Compare the illustrations with your unit to familiarize yourself with the location of various controls and adjustments. Save this manual for future reference.

## FEATURES

### AUTO (-) / OFF (O) SWITCH

Place this switch (B) in the AUTO (-) position to provide automatic power to the pressure switch and OFF (O) to remove power at the end of each use. **NOTE:** ALWAYS ensure the switch (B) is in the OFF (O) position and unit is unplugged before removing or replacing pressure switch cover.

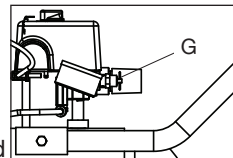


### PRESSURE SWITCH

The pressure switch (not shown) automatically starts the motor when the air tank pressure drops below the factory set cut-in pressure. It stops the motor when the air tank pressure reaches the factory set cut-out pressure.

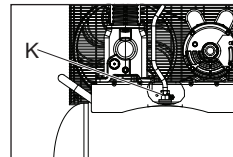
### SAFETY VALVE

This valve (G) is designed to prevent system failures by relieving pressure from the system when the compressed air reaches a predetermined level. The valve is preset by the manufacturer and must not be removed or modified in any way.



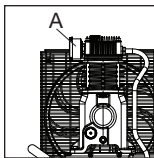
### CHECK VALVE

When the air compressor is operating, the check valve (K) is open, allowing compressed air to enter the air tank. When the air compressor reaches cut-out pressure, the check valve closes, allowing air pressure to remain inside the air tank.



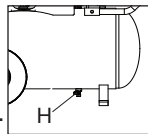
## AIR INTAKE FILTER

The filter (A) is designed to clean air entering the pump. To ensure the pump continually receives a clean, cool, and dry air supply the filter must always be clean and the filter intake must be free from obstructions.



## AIR TANK DRAIN VALVE

The drain valve (H) is located at the base of the air tank and is used to drain condensation at the end of each use. See Draining Air Tank under *Maintenance*.



## REGULATED PRESSURE GAUGE

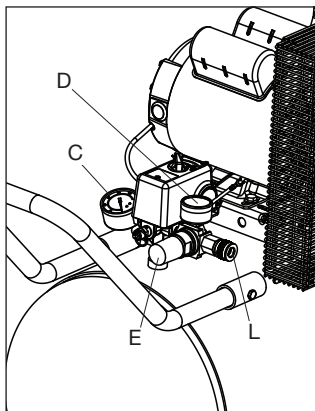
The regulated pressure gauge (D) indicates the air pressure available at the outlet side of the regulator. This pressure is controlled by the regulator. The regulator is designed to allow pressures up to 150 PSI.

## TANK PRESSURE GAUGE

The tank pressure gauge (C) indicates the reserve air pressure in the tank.

## UNIVERSAL QUICK CONNECT BODY

The universal quick connect body (L) accepts the three most popular styles of quick connect plugs: Industrial, automotive, and ARO. One hand push-to-connect operation makes connections simple and easy.



## REGULATOR

The regulator knob (E) controls the air pressure coming from the air tank.

To Adjust Regulator:

Turn knob clockwise to increase regulated pressure and counterclockwise to decrease regulated pressure.

**⚠ WARNING:** *Risk of Bursting. Too much air pressure causes a hazardous risk of bursting. Check the manufacturer's maximum pressure rating for air tools and accessories. The regulator outlet pressure must never exceed the maximum pressure rating.*

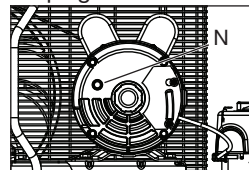
## AIR COMPRESSOR PUMP

The pump compresses air into the air tank. Working air is not available until the compressor has raised the air tank pressure above that required at the air outlet.

## MOTOR OVERLOAD PROTECTOR

The motor has a thermal overload protector. If the motor overheats for any reason, the overload protector will shut off the motor. The motor must be allowed to cool down before restarting. To restart:

1. Set the Auto/Off switch to OFF (O) and unplug unit.
2. Allow the motor to cool.
3. Depress the red reset button (N) on the motor.
4. Plug the power cord into the correct branch circuit receptacle.
5. Set the Auto/Off switch to AUTO (-).



## INSTALLATION

### Assembly

Unpack the air compressor. Inspect the unit for damage. If the unit has been damaged in transit, contact the carrier and complete a damage claim. Do this immediately because there are time limitations to damage claims.

The carton should contain:

- air compressor
- handle
- operator's manual
- instruction sheet

Check the compressor's specification label to ensure that you have received the model ordered, and that it has the required pressure rating for its intended use.

### INSTALLING HOSES

**▲ WARNING:** *Risk of unsafe operation. Firmly grasp hose in hand when installing or disconnecting to prevent hose whip.*

1. Ensure regulated pressure gauge reads 0 PSI (0 kPa).
2. Grasp the hose at the quick connect plug and push the plug into the quick connect body (L). Coupler will snap into place.
3. Grasp the hose and pull to ensure coupler is seated.

### DISCONNECTING HOSES

**▲ WARNING:** *Risk of unsafe operation. Firmly grasp hose in hand when installing or disconnecting to prevent hose whip.*

1. Ensure regulated pressure gauge reads 0 PSI (0kPa).
2. Pull coupler on quick connect body back to release quick connect plug on hose.

## Lubrication and Oil

### AIR COMPRESSOR

The air compressor pump was filled **WITH** oil at the manufacturer. Check air compressor pump oil level before operating unit. See **Compressor Pump Oil** under *Maintenance*.

### Compatibility

Air tools and accessories that are run off the compressor must be compatible with petroleum based products. If you suspect that a material is not compatible with petroleum products, an air line filter for removal of moisture and oil vapor in compressed air is required.

**NOTE:** Always use an air line filter to remove moisture and oil vapor when spraying paint.

### Location

- Locate the air compressor in a clean, dry, and well ventilated area.
- Locate the air compressor at least 12" (30.5 cm) away from the wall or other obstructions that will interfere with the flow of air.
- Locate the air compressor as close to the main power supply as possible to avoid using long lengths of electrical wiring. **NOTE:** Long lengths of electrical wiring could cause power loss to the motor.
- The air filter must be kept clear of obstructions which could reduce air flow to the air compressor.

### HUMID AREAS

In frequently humid areas, moisture may form in the pump and produce sludge in the oil, causing running parts to wear out prematurely. Excessive moisture is especially likely to occur if the unit is located in an unheated area that is subject to large

temperature changes. Two signs of excessive humidity are external condensation on the pump when it cools down and a “milky” appearance in compressor oil. You may be able to prevent moisture from forming in the pump by increasing ventilation or operating for longer intervals.

## Electrical Wiring

**⚠ WARNING:** *Improper electrical installation of this product may void its warranty and your fire insurance. Have circuit wiring performed by qualified personnel such as a licensed electrician who is familiar with the current national electrical code and any prevailing local electrical codes.*

**⚠ WARNING:** *Risk of electrical shock. Improper electrical grounding can result in electrical shock. The wiring should be done by a qualified electrician.*

Refer to the air compressor's specification label for the unit's voltage and amperage requirements.

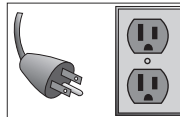
For best performance and reliable starting, the air compressor must be plugged into a dedicated circuit, as close as possible to the fuse box or circuit breaker. The compressor will use the full capacity of a typical 15 amp household circuit. If any other electrical devices are drawing from the compressor's circuit, the compressor may fail to start. Low voltage or an overloaded circuit can result in sluggish starting that causes the motor overload protection system or circuit breaker to trip, especially in cold conditions.

**NOTE:** A circuit breaker is recommended. If the air compressor is connected to a circuit protected by a fuse, use only time delay fuses.

**⚠ WARNING:** *Risk of electrical shock. Electrical wiring must be located away from hot surfaces such as manifold assembly, compressor outlet tubes, heads, or cylinders.*

## Grounding Instructions

1. This product must be grounded. In the event of an electrical short circuit, grounding reduces the risk of electrical shock by providing an escape wire for the electric current. This product is equipped with a cord having a grounding wire with an appropriate grounding plug. The plug must be



plugged into an outlet that is properly installed and grounded in accordance with all local codes and ordinances.

**⚠ WARNING:** *Improper installation of the grounding plug is able to result in a risk of electric shock. When repair or replacement of the cord or plug is required, do not connect the grounding wire to either flat blade terminal. The wire with insulation having an outer surface that is green with or without yellow stripes is the grounding wire*

2. Substitution of the signal word "DANGER" for "WARNING" is not prohibited when the risk associated with the product is such that a situation exists which if not avoided will result in death or serious injury.

Check with a qualified electrician or serviceman when the grounding instructions are not completely understood, or when in doubt as to whether the product is properly grounded. Do not modify the plug provided; if it does not fit the outlet, have the proper outlet installed by a qualified electrician

3. This product is for use on a nominal 120-V circuit and has a grounding plug similar to the plug illustrated in the figure. Only connect the product to an outlet having the same configuration as the plug. Do not use an adapter with this product.

**▲DANGER:** Risk of electrical shock. **IMPROPER GROUNDING CAN RESULT IN ELECTRICAL SHOCK.**

- Do not modify the plug provided. If it does not fit the available outlet, a correct outlet should be installed by a qualified electrician.
- Repairs to the cord set or plug **MUST** be made by a qualified electrician.

## Extension Cords

If an extension cord must be used, be sure it is:

- a 3-wire extension cord that has a 3-blade grounding plug, and a 3-slot receptacle that will accept the plug on the product
- in good condition
- plug is not worn
- no longer than 50 feet (15.2 m)
- 12 gauge (AWG) or larger. (Wire size increases as gauge number decreases. 10 AWG and 8 AWG may also be used. DO NOT USE 14 OR 16 AWG.)

**NOTICE:** The use of an undersized extension cord will cause voltage to drop resulting in power loss to the motor and overheating. Instead of using an extension cord, increase the working reach of the air hose by attaching another length of hose to its end. Attach additional lengths of hose as needed. Always use a minimum 3/8" (9.5 mm) or greater air hose rated at 300 PSI.

## Voltage and Circuit Protection

**▲CAUTION:** Certain air compressors can be operated on a 15 Amp circuit if the following conditions are met.

- Voltage supply to circuit must comply with the National Electrical Code.
- Circuit is not used to supply any other electrical needs.
- Extension cords comply with specifications.

- Circuit is equipped with a 15 Amp circuit breaker or 15 Amp time delay fuse.

**NOTE:** If compressor is connected to a circuit protected by fuses, use only time delay fuses.

If any of the above conditions cannot be met, or if operation of the compressor repeatedly causes interruption of the power, it may be necessary to operate it from a 20 Amp circuit. It is not necessary to change the cord set.

## How to Use Your Unit (Fig 2)

### How to Stop:

Set the Auto/Off switch to "OFF (O)".

### Before Starting

**▲WARNING:** Do not operate this unit until you read this instruction manual for safety, operation and maintenance instructions.

### Break-in Procedure

**NOTICE:** Risk of property damage. Serious damage may result if the following break-in instructions are not closely followed.

This procedure is required **before** the air compressor is put into service and when the check valve or a complete compressor pump has been replaced.

1. Make sure the Auto/Off switch is in the "OFF (O)" position.
2. Check oil level in pump. See **Oil** paragraph in the *Maintenance* section for instructions.
3. Plug the power cord into the correct branch circuit receptacle. (Refer to Voltage and Circuit Protection paragraph in the installation section of this manual.)
4. Open the drain valve fully to permit air to escape and prevent air pressure build up in the air tank during the break-in period.

5. Move the Auto/Off switch to “AUTO (-)” position. The compressor will start.
6. Run the compressor for 30 minutes. Make sure the drain valve and all air lines are open so there is only a minimal air pressure build-up in tank. **NOTE:** After about 30 minutes, if the unit does not operate properly, SHUT DOWN IMMEDIATELY, and contact Product Service.
7. Check all air line fittings and connections/piping for air leaks by applying a soap solution. Correct if necessary. **NOTE:** Minor leaks can cause the air compressor to overwork, resulting in premature breakdown or inadequate performance.
8. Check for excessive vibration.
9. After 30 minutes, turn the Auto/Off switch to the “OFF (O)” position.
10. Close the drain valve.
11. Turn the Auto/Off switch to the “AUTO (-)” position. The air receiver will fill to “cut-out” pressure and the motor will stop.

The compressor is now ready for use.

### **Before Each Start-Up (Fig. 2)**

1. Every day check the sight glass to ensure that the level of oil in the pump is at the required level.
2. Place Auto/Off switch to “OFF (O)”.
3. Close the drain valve.
4. Visually inspect air lines and fittings for leaks.
5. Check safety valve. See **To Check Safety Valve** under *Maintenance*.
6. Turn the regulator knob counterclockwise to set the outlet pressure to zero.
7. Attach hose and accessories.

**⚠ WARNING:** Risk of unsafe operation. Firmly grasp air hose in hand when installing or disconnecting to prevent hose whip.

**⚠ WARNING:** Risk of unsafe operation. Do not use damaged or worn accessories.

**NOTE:** The hose or accessory will require a quick connect plug if the air outlet is equipped with a quick connect socket.

**⚠ WARNING:** Risk of bursting. Too much air pressure causes a hazardous risk of bursting. Check the manufacturer’s maximum pressure rating for air tools and accessories. The regulator outlet pressure must never exceed the maximum pressure rating.

**⚠ CAUTION:** Risk of unsafe operation. Compressed air from the unit may contain water condensation and oil mist. Do not spray unfiltered air at an item that could be damaged by moisture. Some air tools and accessories may require filtered air. Read the instructions for the air tools and accessories.

### **How to Start**

1. Turn the Auto/Off switch to “AUTO (-)” and allow tank pressure to build. Motor will stop when tank pressure reaches “cut-out” pressure.
2. Turn the regulator knob clockwise to increase pressure.

**IMPORTANT:** When using regulator and other accessories refer to the manufacturers instructions.

**⚠ WARNING:** Risk of bursting. If any unusual noise or vibration is noticed, stop the compressor immediately and have it checked by a trained service technician.

The compressor is ready for use.

## Shut-down (Fig. 2)

1. Move Auto/Off switch to the OFF (O) position.  
NOTE: If finished using compressor, follow Steps 2 - 7.
2. Turn the regulator knob counterclockwise until fully closed. Ensure regulated pressure gauge reads 0 PSI (0 kPa).
3. Remove hose and accessory.

**▲WARNING:** Risk of unsafe operation. Firmly grasp air hose in hand when installing or disconnecting to prevent hose whip.

4. Drain the air tank, see Draining Air Tank under Maintenance. Ensure air tank pressure gauge reads 0 PSI (0 kPa).

**▲WARNING:** Risk of bursting. Drain air tank daily. Water will condense in air tank. If not drained, water will corrode and weaken the air tank causing a risk of air tank rupture.

5. Allow the compressor to cool down.
6. Wipe air compressor clean and store in a safe, non-freezing area.
7. Unplug air compressor and wrap cord loosely around the handle.

**▲WARNING:** Risk of unsafe operation. Unit cycles automatically when power is on. When performing maintenance, you may be exposed to voltage sources, compressed air, or moving parts. Personal injuries can occur. Before performing any maintenance or repair, disconnect power source from the compressor and bleed off all air pressure.

To ensure efficient operation and longer life of the air compressor outfit, a routine maintenance schedule should be prepared and followed. The following routine maintenance schedule is geared to an outfit in a normal working environment operating on a daily basis. If necessary, the schedule should be modified to suit the conditions under which your compressor is used. The modifications will depend upon the hours of operation and the working environment. Compressor outfits in an extremely dirty and/or hostile environment will require a greater frequency of all maintenance checks.

**NOTE:** See Operation section for the location of controls.

## MAINTENANCE

### Maintenance Chart

Procedure	Daily	Weekly	Monthly	1 year or 100 Hours	See tank warning label
Check safety valve	X				
Inspect air filter		X <sup>+</sup>			
Drain air tank	X				
Check pump oil level	X				
Change pump oil				X <sup>+++</sup>	
Oil leak inspection	X				
Inspect drive belt	X				
Check drive belt tension			X		
Check pulley/flywheel alignment				X	
Check for unusual noise/vibration	X				
Check for air leaks	X <sup>+</sup>				
Clean compressor exterior		X			
Remove tank from service					X <sup>++</sup>
* To check for air leaks apply a solution of soapy water around joints. While compressor is pumping to pressure and after pressure cuts out, look for air bubbles to form.					
** The pump oil must be changed after the first 20 hours of operation. Thereafter, when using full synthetic non-detergent air compressor oil, change oil every 100 hours of operation or once a year, whichever comes first.					
+ Perform more frequent in dusty or humid conditions.					
++ For more information, call 1-888-895-4549 .					



## Checking Safety Valve

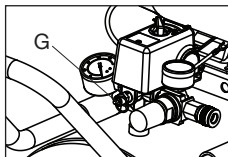
**⚠ WARNING:** Hot surfaces. Risk of burn. Tubes, pump head, and surrounding parts are very hot, do not touch (see the Hot Surfaces identified in Fig. 1). Allow compressor to cool prior to servicing.

**⚠ WARNING:** Risk of bursting. If the safety valve does not work properly, over-pressurization may occur, causing air tank rupture or an explosion.

**⚠ WARNING:** Risk from flying objects. Always wear certified safety equipment: ANSI Z87.1 eye protection (CAN/CSA Z94.3) with side shields.

**⚠ WARNING:** Risk from noise. Use ear protection (ANSI S12.6 (S3.19) as air flow noise is loud when draining.

Before starting compressor, pull the ring on the safety valve (G) to make sure that the safety valve operates freely. If the valve is stuck or does not operate smoothly, it must be replaced with the same type of valve.

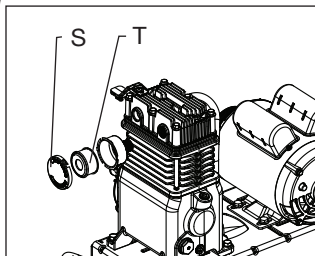


## Checking Air Filter

**⚠ WARNING:** Hot surfaces. Risk of burn. Tubes, pump head, and surrounding parts are very hot, do not touch (see the Hot Surfaces identified in Fig. 1). Allow compressor to cool prior to servicing.

A dirty air filter will not allow the compressor to operate at full capacity. Keep the air filter clean at all times.

1. Ensure Auto/Off switch (B) is in the OFF (O) Position.
2. Allow unit to cool.
3. Unsnap the air filter cover to remove (S).



4. Check the filter element (T). If it is dirty, blow compressed air through the filter element for 10-15 seconds or replace if needed. If the filter is filled with paint, replace it.

5. Place element into housing and reattach the air filter cover.

**⚠ CAUTION:** Risk of unsafe operation. Do not operate without air filter.

## Draining Air Tank (Fig. 2)

**⚠ WARNING:** Risk of unsafe operation. Air tanks contain high pressure air. Keep face and other body parts away from outlet of drain. Use eye protection [ANSI Z87.1 (CAN/CSA Z94.3)] when draining as debris can be kicked up into face.

**⚠ WARNING:** Risk from noise. Use ear protection (ANSI S12.6 (S3.19) as air flow noise is loud when draining.

**NOTE:** All compressed air systems generate condensation that accumulates in any drain point (e.g., tanks, filter, aftercoolers, dryers). This condensate contains lubricating oil and/or substances which may be regulated and must be disposed of in accordance with local, state, and federal laws and regulations.

1. Set the Auto/Off switch to “OFF (O)”.
2. Turn the regulator knob counterclockwise to set the outlet pressure to zero.
3. Remove the air tool or accessory.
4. Pull ring on safety valve allowing air to bleed from the tank until tank pressure is approximately 20 PSI. Release safety valve ring.
5. Drain water from air tank by opening drain valve on bottom of tank.

**⚠ WARNING:** Risk of bursting. Water will condense in the air tank. If not drained, water will corrode and weaken the air tank causing a risk of air tank rupture.

**NOTICE:** Risk of property damage. Drain water from air tank may contain oil and rust which can cause stains.

6. After the water has been drained, close the drain valve. The air compressor can now be stored.

**NOTE:** If drain valve is plugged, release all air pressure. The valve can then be removed, cleaned, then reinstalled.

### **Compressor Pump Oil (Fig. 3)**

**NOTICE:** Risk of property damage. Use air compressor oil only. Multi-weight automotive engine oils like 10W30 should not be used in air compressors. They leave carbon deposits on critical components, thus reducing performance and compressor life.

**NOTE:** Use full synthetic, non-detergent air compressor oil.

**NOTE:** Crankcase oil capacity is approximately 16.0 fluid ounces (473 ml).

**⚠ WARNING:** Drain tank to release air pressure before removing the oil fill plug or oil drain plug.

### **Checking**

**⚠ WARNING:** Drain tank to release air pressure before removing the oil fill plug or oil drain plug.

1. The oil level should be to the middle of the sight glass (K).
2. If needed, remove oil fill plug (I) and slowly add oil until it reaches the middle of the sight glass.

### **Changing**

**⚠ WARNING:** Drain tank to release air pressure before removing the oil fill plug or oil drain plug.

1. Remove the oil fill plug (I).
2. Remove the oil drain plug (J) and drain oil into a suitable container.
3. Replace the oil drain plug (J) and tighten securely
4. Slowly add compressor oil until it reaches the middle of the sight glass (K). **NOTE:** When filling the crankcase, the oil flows very slowly into the pump. If the oil is added too quickly, it will overflow and appear to be full.

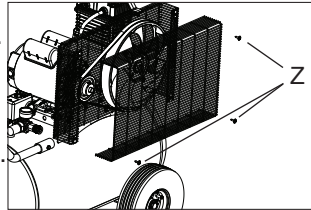
**⚠ CAUTION:** Overfilling with oil will cause premature compressor failure. Do not overfill.

5. Replace oil fill plug (I) and tighten securely.

## Belt Replacement

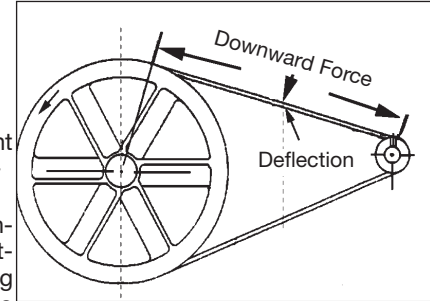
**⚠ WARNING:** This unit starts automatically. ALWAYS shut off and unplug the compressor, and bleed all pressure from the system before servicing the compressor, and when the compressor is not in use. Do not use the unit with the shrouds or belt guard removed. Serious injury could occur from contact with moving parts. Hot surfaces. Risk of burn. Pump head, and surrounding parts are very hot, do not touch (see the Hot Surfaces identified in Fig. 1). Allow compressor to cool prior to servicing.

1. Set the Auto/Off lever to "OFF (O)", unplug the unit, and relieve all air pressure from the air tank.
2. Remove the outer belt guard (Z).
3. Mark motor position on saddle.
4. Loosen the motor mounting screws and slide the motor toward the air compressor pump.
5. Remove the belt and replace with a new one.
6. See the **Adjusting Belt Tension** before tightening motor mounting screws.



## Adjusting Belt Tension

1. Slide motor into original position, line the motor up with the mark made earlier on saddle.
2. Tighten two outside motor mounting screws enough to hold the motor in place for checking pulley and flywheel alignment.
3. The belt should deflect 1/4" (6.5 mm) at midway between the pulley and the flywheel when a 10 pound (4.5 kg.) weight is applied at the midway point.
4. When proper belt tension is achieved, tighten motor mounting screws. Torque to 20-25 ft-lbs (27.1-33.9 Nm.)

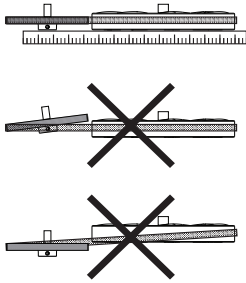


**NOTE:** Once the motor pulley has been moved from its factory set location, the grooves of the flywheel and pulley must be aligned to within 1/16" (1.6 mm) to prevent excessive belt wear. Verify the alignment by performing the following **Motor Pulley/Flywheel - Alignment**.

## Motor Pulley/Flywheel Alignment

**NOTE:** Once the motor pulley has been moved from its factory set location, the grooves of the flywheel and pulley must be aligned to within 1/16" (1.6 mm) to prevent excessive belt wear.

The air compressor flywheel and motor pulley hub must be in-line (in the same plane) within 1/16" (1.6 mm) to assure belt retention within flywheel belt grooves. To correct misalignment, perform the following steps:



1. Set the Auto/Off lever to "OFF (O)", unplug the unit, and relieve all air pressure from the air tank.
2. Remove the outer belt guard.
3. Loosen the motor mounting bolts.
4. Loosen the set screws on the motor pulley.
5. Align the motor pulley with the pump flywheel.
6. Retighten the motor pulley set screws. Torque 145-180 in.-lbs (16.4-20.3 Nm).
7. Adjust the proper belt tension.
8. Retighten the motor mounting bolts. Torque to 20-25 ft.-lbs (27.1-33.9 Nm)

9. Reinstall the outer belt guard.  
All moving parts must be guarded.

## Air Compressor Pump Intake and Exhaust Valves

Once a year have a Trained Service Technician check the air compressor pump intake and exhaust valves.

## Inspect Air Lines and Fittings for Leaks

1. Set the Auto/Off lever to "OFF (O)", unplug the unit, and relieve all air pressure from the air tank.
2. Apply a soap solution to all air line fittings and connections/piping.
3. Correct any leaks found.

**IMPORTANT:** Even minor leaks can cause the air compressor to overwork, resulting in premature breakdown or inadequate performance.

## Air compressor Head Bolts - Torquing

The air compressor pump head bolts should be kept properly torqued. Check the torques of the head bolts after the first five hours of operation. Torque to 15-20 ft.-lbs (20.3-27.1 Nm).

## Service and Adjustments

ALL MAINTENANCE AND REPAIR OPERATIONS NOT LISTED MUST BE PERFORMED BY TRAINED SERVICE TECHNICIAN.

**⚠️ WARNING:** Risk of unsafe operation. Unit cycles automatically when power is on. When servicing, you may be exposed to voltage sources, compressed air, or moving parts. Before servicing unit unplug or disconnect electrical supply to the air compressor, bleed tank of pressure, and allow the air compressor to cool.

## To Replace or Clean Check Valve

1. Release all air pressure from air tank. See **Draining Air Tank** in the *Maintenance* section.
2. Set the Auto/Off lever to “Off”, unplug the unit, and relieve all air pressure from the air tank.
3. Using an adjustable wrench loosen outlet tube nut at air tank and pump. Carefully move outlet tube away from check valve.
4. Using an adjustable wrench loosen pressure relief tube nut at air tank. Carefully move pressure relief tube away from check valve.
5. Unscrew the check valve (turn counter-clockwise) using a 13/16" open end wrench. **NOTE:** the orientation for reassembly.
6. Using a screwdriver, carefully push the valve disc up and down.
 

The diagram shows two views of a check valve. The top view shows the valve with a screwdriver inserted into the top opening, pushing the valve disc up. An arrow points to the top opening with the text 'Screwdriver'. Below this view, the text reads 'In open position nothing is visible.' The bottom view shows the valve with the screwdriver inserted into the side opening, pushing the valve disc down. An arrow points to the side opening with the text 'In closed position disc is visible.'
7. Clean or replace the check valve. A solvent, such as paint or varnish remover can be used to clean the check valve.
8. Apply sealant to the check valve threads. Reinstall the check valve (turn clockwise) to proper orientation.
9. Replace the pressure release tube. Tighten nuts.
10. Replace the outlet tube and tighten nuts.
11. Perform the Break-in Procedure. See **Break-in Procedure** in the *Operation* section.

## Additional Service

Disassembly or service of the air compressor beyond what is covered in this manual is not recommended. If additional service is required, contact your nearest Authorized Warranty Service Center.

## Accessories

Recommended accessories for use with your tool are available for purchase from your local dealer or authorized service center. If you need assistance in locating any accessory for your tool, please call 1-888-895-4549 or visit our website [www.dewalt.com](http://www.dewalt.com).

**▲ WARNING:** The use of any other accessory not recommended for use with this tool could be hazardous. Use only accessories rated equal to or higher than the rating of the air compressor.

## Service Information

Please have the following information available for all service calls:  
 Model Number \_\_\_\_\_ Serial Number \_\_\_\_\_  
 Date and Place of Purchase \_\_\_\_\_

## Repairs

To assure product SAFETY and RELIABILITY, repairs, maintenance and adjustment should be performed by a DEWALT factory service center, a DEWALT authorized service center or other qualified service personnel. Always use identical replacement parts.

## Limited Warranty

**DEWALT Industrial Tools** are warranted from date of purchase.

**2 Year** – Limited warranty on oil-lubricated air compressor pumps.

**1 Year** – Limited warranty on all other air compressor components. This warranty is not transferable to subsequent owners.

DEWALT will repair or replace, without charge, at DEWALT's option, any defects due to faulty materials or workmanship. For further detail of warranty coverage and warranty repair information, call 1-(888)-895-4549 or visit dewalt.com. This warranty does not apply to accessories or damage caused where repairs have been made or attempted by others. This warranty also does not apply to merchandise sold by DEWALT which has been manufactured by and identified as the product of another company, such as gasoline engines. Such manufacturer's warranty, if any, will apply. **ANY INCIDENTAL, INDIRECT OR CONSEQUENTIAL LOSS, DAMAGE OR EXPENSE THAT MAY RESULT FROM ANY DEFECT, FAILURE OR MALFUNCTION OF THE PRODUCT IS NOT COVERED BY THIS WARRANTY.** Some states do not allow the exclusion of limitation of incidental or consequential damages, so the above limitation or exclusion may not apply to you. **IMPLIED WARRANTIES, INCLUDING THOSE OF MERCHANTABILITY OR FITNESS FOR A PARTICULAR PURPOSE, ARE LIMITED TO ONE YEAR FROM THE DATE OF ORIGINAL PURCHASE.** Some states do not allow limitations on how long an implied warranty lasts, so the above limitations may not apply to you.

**What the Company Will Do:** (the company) will cover parts and labor to remedy substantial defects due to materials

and workmanship during the first year of ownership, with the exceptions noted below. Parts used in repair of whole goods or accessories are warranted for the balance of the original warranty period.

**What is not covered Under This Warranty?** Failures by the original retail purchaser to install, maintain, and operate said equipment in accordance with standard industry practices. Modifications to the product, or tampering with components, or failure to comply with the specific recommendations of the Company set forth in the owner's manual, will render this warranty null and void. The Company shall not be liable for any repairs, replacements, or adjustments to the equipment, or any costs for labor performed by the purchaser without the Company's prior written approval. The effects of corrosion, erosion, surrounding environmental conditions, cosmetic defects, and routine maintenance items, are specifically excluded from this warranty. Routine maintenance items such as: oil, lubricants, and air filters, as well as changing oil, air filters, belt tensioning, etc... fall under the owner's responsibility. Additional exclusions include: freight damage, failures resulting from neglect, accident, or abuse, induction motors when operated from a generator, oil leaks, air leaks, oil consumption, leaky fittings, hoses, drain valve, bleeder tubes, and transfer tubes.

- The following components are considered normal wear items and are not covered after the first year of ownership: Belts, pulleys, flywheels, check valves, pressure switches, air unloaders, throttle controls, electric motors, brushes, regulators, o-rings, pressure gauges, tubing, piping, fittings, fasteners, wheels, quick couplers, gaskets, seals, air filter housings, piston rings, connecting rods, and piston seals.

- Labor, service calls, and travel charges, are not covered after the first year of ownership on stationary compressors (compressors without handles, or wheels). Repairs requiring overtime, weekend rates, or any other charges beyond the standard shop labor rate are not covered.
- Time required for orientation training for the service center to gain access to the product, or additional time due to inadequate egress.
- Damage caused by incorrect voltage, improperly wired, or failure to have a certified licensed electrician install the compressor, will render this warranty null and void.
- Damage caused from inadequate filter maintenance.
- Pump wear or valve damage caused by using oil not specified.
- Pump wear or damage caused by any oil contamination.
- Pump wear or valve damage caused by failure to follow proper maintenance guidelines.
- Operation below proper oil level or operation without oil.
- Gas Engines, if product is equipped with a gas engine, see engine manual for specific engine manufacturer's warranty coverage.

**Parts purchased separately:** The warranty for parts purchased separately such as: pumps, motors, etc., are as follows:

From Date of Purchase

- All single & two stage pumps 1 year
- Electric motors 90 days

- Universal motor/pump 30 days
- All other parts 30 days
- No return authorization will be issued for electrical components once items are installed.

**How do You Get Service?** In order to be eligible for service under this warranty you must be the original retail purchaser, and provide proof of purchase from one of the Company's dealers, distributors, or retail outlet stores. Portable compressors or components must be delivered, or shipped, to the nearest Authorized Service Center. All associated freight costs and travel charges must be borne by the consumer. Please call our toll free number 1-888-895-4549 for assistance.

THIS WARRANTY GIVES YOU SPECIFIC LEGAL RIGHTS, AND YOU MAY ALSO HAVE OTHER RIGHTS WHICH VARY FROM STATE TO STATE.

THE COMPANY MAKES NO OTHER WARRANTY OR REPRESENTATION OF ANY KIND WHATSOEVER, EXPRESSED OR IMPLIED, EXCEPT THAT OF TITLE. ALL IMPLIED WARRANTIES, INCLUDING ANY WARRANTY OF MERCHANTABILITY AND FITNESS FOR PARTICULAR PURPOSE ARE HEREBY DISCLAIMED. LIABILITY FOR CONSEQUENTIAL AND INCIDENTAL DAMAGES UNDER ANY AND ALL WARRANTIES, OTHER CONTRACTS, NEGLIGENCE, OR OTHER TORTS IS EXCLUDED TO THE EXTENT EXCLUSION IS PERMITTED BY LAW.





## **Troubleshooting Guide**

This section provides a list of the more frequently encountered malfunctions, their causes and corrective actions. The operator or maintenance personnel can perform some corrective actions, and others may require the assistance of a qualified DEWALT technician or your dealer.

<b>Problem</b>	<b>Code</b>
Air leaks .....	1
Air leaks in air tank or at air tank welds .....	2
Air leaks between head and valve plate.....	3
Air leaks from safety valve.....	4
Compressor is not supplying enough air to operate accessories .....	1, 5, 6, 7, 9, 10
Restricted air intake.....	9
Oil in discharge air.....	9, 19, 31
Knocking Noise .....	4, 10, 11, 12, 13, 14
Excessive belt wear.....	10, 11, 14, 15
Squealing sound.....	10
Moisture in pump crankcase.....	1, 3, 8, 17, 18, 19, 20, 21, 22
Excessive current draw .....	14, 26, 27
Compressor won't start in cold temperatures .....	17, 34, 35
Pressure reading on the regulated pressure gauge drops when an accessory is used.....	23
Regulator knob has continuous air leak.....	24
Regulator will not shut off air outlet .....	24
Air tank pressure will not build .....	25
Compressor stalls.....	28, 29, 30
Overheating .....	27, 32, 33

## Troubleshooting Codes

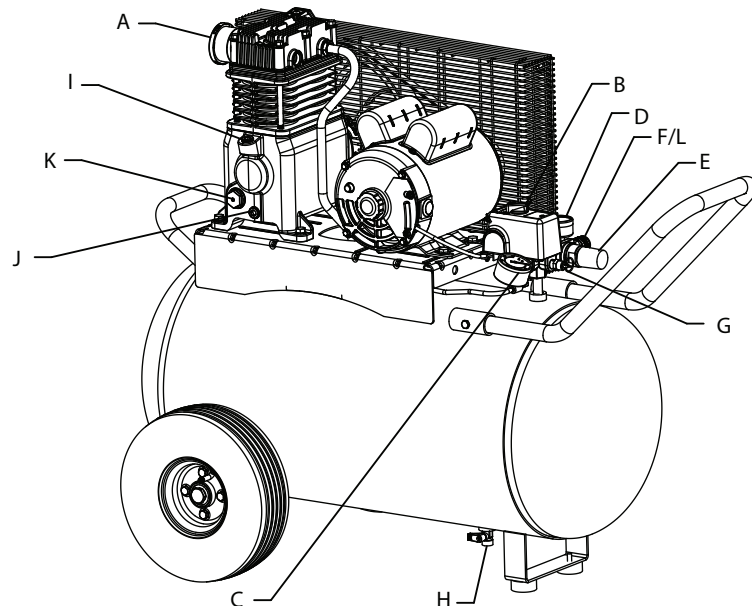
CODE	POSSIBLE CAUSE	POSSIBLE SOLUTION
1	Fittings are not tight.	Tighten fittings where air can be heard escaping. Check fittings with soapy water solution. DO NOT OVERTIGHTEN.
2	Defective air tank.	Air tank must be replaced. Do not repair the leak. <b>▲WARNING:</b> Risk of bursting. Do not drill into, weld or otherwise modify air tank or it will weaken. The air tank can rupture or explode.
3	Leaking seals.	Contact a DEWALT factory service center or a DEWALT authorized service center.
4	Defective safety valve.	Operate safety valve manually by pulling on ring. If valve still leaks, it must be replaced.
5	Prolonged excessive use of air.	Decrease amount of air usage.
6	Compressor is not large enough for accessory.	Check the accessory air requirement. If it is higher than the SCFM or pressure supplied by your air compressor, a larger compressor is needed to operate accessory.
7	Hole in air hose.	Check and replace air hose, if required.
8	Unit operating in damp or humid conditions.	Move unit to a dry, well ventilated area.
9	Restricted air intake filter.	Clean or replace air intake filter.
10	Loose belt.	Check belt tension, see <b>Adjusting Belt Tension</b> under <i>Maintenance</i> .
11	Loose pulley.	Tighten pulley set screw, torque to 145-180 in.-lbs. (16.4–20.3 Nm).
12	Loose flywheel.	Tighten flywheel screw, torque to 13–16 ft.-lbs. (17.6–21.7 Nm).
13	Carbon build-up in pump.	Contact a DEWALT factory service center or a DEWALT authorized service center.

CODE	POSSIBLE CAUSE	POSSIBLE SOLUTION
14	Belt too tight.	Check belt tension, see <b>Adjusting Belt Tension</b> under <i>Maintenance</i> .
15	Pulley misalignment.	See <b>Motor Pulley/Flywheel Alignment</b> under <i>Maintenance</i> .
16	Pump oil is low.	Add full synthetic, non-detergent air compressor oil to pump. See <b>Compressor Pump Oil</b> under <i>Maintenance</i> .
17	Detergent type oil being used in pump.	Drain oil and refill pump with full synthetic non-detergent air compressor oil.
18	Extremely light duty cycles.	Run unit for longer duty cycles.
19	Piston rings damaged or worn.	Contact a DEWALT factory service center or a DEWALT authorized service center.
20	Cylinder or piston damaged or worn.	Contact a DEWALT factory service center or a DEWALT authorized service center.
21	Compressor cylinder finish worn.	Contact a DEWALT factory service center or a DEWALT authorized service center.
22	Water in pump oil.	Drain oil and refill pump with full synthetic non-detergent air compressor oil.
23	Regulator is not adjusted correctly for accessory being used.	It is normal for some pressure drop to occur when an accessory is used, adjust the regulator as instructed in Regulator under Features if pressure drop is excessive. <b>NOTE:</b> Adjust the regulated pressure under flow conditions while the accessory is being used.
24	Damaged regulator.	Replace
25	Regulator open.	Rotate the regulator knob counter-clockwise to its built-in stop.

CODE	POSSIBLE CAUSE	POSSIBLE SOLUTION
26	Low voltage/motor overload.	Check that power supply is adequate and that compressor is on a dedicated circuit. If using extension cord, try using without. If compressor is connected to a circuit protected by a fuse, use time delay fuses.
27	Restricted air passages.	<b>Inspect and replace transfer tubes or check valve, as required.</b>
28	Low voltage motor.	Furnish adequate power.
29	Bad check valve.	Replace check valve.
30	Seized pump.	Contact a DEWALT factory service center or a DEWALT authorized service center.
31	Oil level too high.	Reduce to proper level. See <b>Compressor Pump Oil</b> under <i>Maintenance</i> .
32	Poor ventilation.	Relocate compressor to an area with cool, dry, well circulated air, at least 12 in. from nearest wall.
33	Dirty cooling surfaces.	Clean all cooling surfaces thoroughly.
34	Too much back pressure in tank.	Open drain valve when starting motor.
35	Compressor too cold.	Move compressor to a warmer location.

## Compresseur d'air

- A. Filtre d'admission d'air de la pompe
- B. Interrupteur Auto [AUTO(-)] / Off (ARRÊT(O))
- C. Manomètre du réservoir d'air
- D. Manomètre réglé
- E. Régulateur de pression
- F. Sortie d'air
- G. Soupape de sûreté
- H. Soupape de purge du réservoir d'air
- I. Jauge graduée de l'huile de la pompe/Bouchon de remplissage d'huile
- J. Bouchon de vidange d'huile de la pompe
- K. Regard en verre du niveau d'huile de la pompe
- L. Branchements rapides



## Caractéristiques techniques de la pompe

Deux Cylindres

Mono-étagée

Lubrifiée à l'huile

Carter en fonte et piston et culasse en aluminium

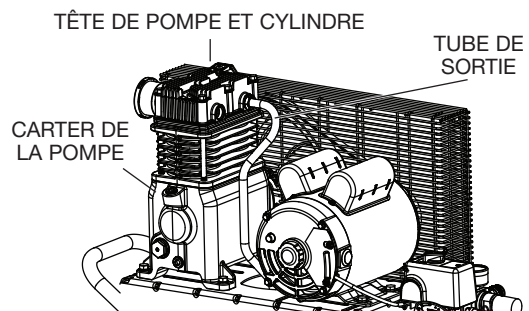
Poids : 12,2 kg. (27,0 lbs.)

Capacité d'huile : 473 mL

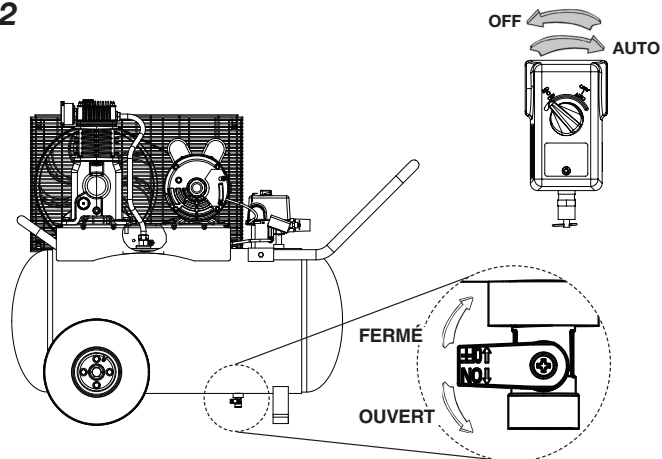
## Fiche technique

<b>MODÈLE</b>	<b>DXCM201</b>	<b>PRESSIION DE DÉCLENCHEMENT APPROX.</b>	13,79 BAR
<b>POIDS</b>	62,1 KG (137 lb)	<b>ALIMENTATION EN AIR</b>	0,175 M3/MIN. à 6,2 BAR
<b>HAUTEUR</b>	81,28 CM	<b>DURÉE DE REMPLISSAGE DU RÉSERVOIR</b>	5,5 MINUTES
<b>LARGEUR</b>	55,88 CM	<b>ENTRÉE</b>	120 V, 60 HZ, C.A. MONOPHASÉ UNIQUEMENT, 15 AMPÈRES
<b>LONGUEUR</b>	83,82 CM SANS POIGNÉE AVANT	<b>SPÉCIFICATIONS MINIMALES DU CIRCUIT DE DÉRIVATION</b>	20 AMPÈRES
<b>CAPACITÉ DU RÉSERVOIR D'AIR</b>	75,7 LITRES (20 GALLONS)	<b>TYPE DE FUSIBLE</b>	TEMPORISATION

**Fig. 1 Surfaces chaudes**

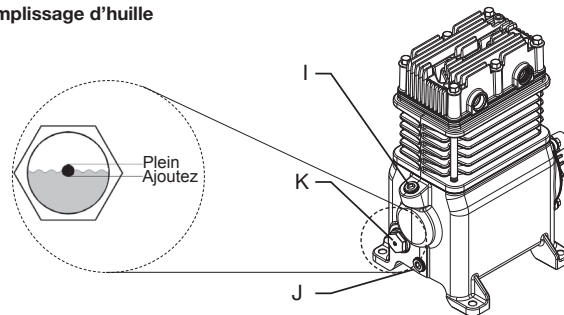


**Fig. 2**



**Fig. 3**

- J = Bouchon
- K = Verre de vue de niveau d'huile
- I = Bouchon de l'orifice de remplissage d'huile



## **Définitions : lignes directrices en matière de sécurité**

Les définitions ci-dessous décrivent le niveau de gravité pour chaque symbole. Veuillez lire le mode d'emploi et porter une attention particulière à ces symboles.

**▲DANGER** : Indique une situation dangereuse imminente qui, si elle n'est pas évitée, **causera la mort ou des blessures graves.**

**▲AVERTISSEMENT** : Indique une situation potentiellement dangereuse qui, si elle n'est pas évitée, **pourrait se solder par un décès ou des blessures graves.**

**▲ATTENTION** : Indique une situation potentiellement dangereuse qui, si elle n'est pas évitée **pourrait se solder par des blessures mineures ou modérées.**

**AVIS** : Indique une pratique ne posant **aucun risque de dommages corporels** mais qui par contre, si rien n'est fait pour l'éviter, **pourrait** poser des **risques de dommages matériels.**

POUR TOUTES QUESTIONS OU COMMENTAIRES RELATIFS(ES) À L'OUTIL OU À PROPOS DE TOUT AUTRE OUTIL DEWALT, COMPOSER SANS FRAIS LE : **1-888-895-4549**

## **Directives de sécurité importantes**

**▲AVERTISSEMENT** : Ne pas utiliser l'appareil avant d'avoir lu le mode d'emploi, ainsi que l'intégralité des directives de sécurité, et d'entretien.

**AVERTISSEMENT : CONTIENT DU PLOMB.** Peut être nocif s'il est ingéré ou mâché. Peut générer de la poussière contenant du plomb. Se laver les mains après usage. Garder hors de la portée des enfants.

**▲AVERTISSEMENT** : Ce produit pourrait vous exposer à des produits chimiques, y compris le plomb, reconnu par l'État de Californie comme cause de cancer, de malformations congénitales ou autres problèmes du système de reproduction. Pour obtenir plus d'information, visitez [www.P65Warnings.ca.gov](http://www.P65Warnings.ca.gov).

## CONSERVER CES DIRECTIVES



### ▲ DANGER : RISQUE D'EXPLOSION OU D'INCENDIE

#### CE QUI PEUT SE PRODUIRE

- Il est normal que des contacts électriques dans le moteur et le mancontacteur fassent une étincelle.
- Si une étincelle électrique provenant du compresseur entre en contact avec des vapeurs inflammables, elle peut s'enflammer et causer un incendie ou une explosion.

#### COMMENT L'ÉVITER

- Faites toujours fonctionner le compresseur dans une zone bien aérée sans matière combustible, essence ou vapeur de solvant.
- Si vous aspergez des matériaux inflammables, placez le compresseur à au moins 6,1 m (20 pieds) de la zone pulvérisée. Il est possible que vous ayez besoin d'une longueur de tuyau additionnelle.
- Entrez les matières inflammables dans un endroit sécuritaire, éloigné du compresseur.

- Le fait de limiter les ouvertures d'aération de compresseur causera une importante surchauffe et pourrait causer un incendie.
- Ne jamais placer d'objets contre la pompe du compresseur ou sur celle-ci.
- Faites fonctionner le compresseur dans un endroit aéré à au moins 30,5 cm (12 po) du mur ou de l'obstruction qui pourrait limiter le débit d'air frais dans les ouvertures d'aération.
- Faites fonctionner le compresseur dans un endroit propre, sec et bien aéré. Ne pas utiliser l'appareil à l'intérieur ou dans un endroit exigü.
- Être toujours présent lorsque le produit est en marche.
- Toujours éteindre et débrancher l'appareil si non utilisé.
- Le fonctionnement de ce produit sans surveillance pourrait se solder par des blessures personnelles ou des dommages à la propriété. Afin de réduire le risque d'incendie, ne pas laisser le compresseur fonctionner sans surveillance.





### **▲DANGER : RISQUE REPIRATOIRE (ASPHYXIE)**

#### **CE QUI PEUT SE PRODUIRE**

- Il est dangereux de respirer l'air comprimé sortant du compresseur. Le flux d'air peut contenir du monoxyde de carbone, des vapeurs toxiques ou des particules solides provenant du réservoir d'air. La respiration de ces contaminants peut causer de sérieuses blessures, voire la mort.
- Une exposition aux produits chimiques présents dans la poussière générée par les activités de ponçage, sciage, meulage, perçage et autres, peut être nocive
- Les matériaux vaporisés comme la peinture, les solvants de peinture, les décapants, les insecticides, les herbicides, pourraient contenir des vapeurs nocives et du poison.

#### **COMMENT L'ÉVITER**

- Ne jamais utiliser l'air obtenu directement du compresseur pour l'alimentation en air destinée à la consommation humaine. Le compresseur n'est pas muni de filtres et d'équipement de sécurité en ligne qui conviennent à la consommation humaine.
- Travailler dans un endroit ayant une bonne aération transversale. Lire et respecter les directives en matière de sécurité imprimées sur l'étiquette ou les fiches signalétiques des matériaux qui sont pulvérisés. Toujours utiliser un équipement de sécurité homologué : une protection respiratoire conforme aux normes NIOSH/OSHA, ou un masque facial bien ajusté, conçus spécifiquement pour votre utilisation particulière.



### **▲DANGER : RISQUE D'ÉCLATEMENT**

**Réservoir d'air comprimé :** Le 26 février 2002, la U.S. Consumer Product Safety Commission américaine a publié la règle n° 02-108 portant sur la sécurité en matière de réservoir d'air comprimé des compresseurs :

Les réservoirs d'air comprimé des compresseurs n'ont pas une durée de vie illimitée. La durée de vie des réservoirs dépend de plusieurs facteurs, qui comprennent entre autres : les conditions d'utilisation, les conditions ambiantes, une installation adéquate, les modifications sur site, et le niveau de maintenance. L'effet exact que peut avoir ces facteurs sur la durée de vie des réservoirs d'air est difficilement prévisible.

Si les procédures adéquates de maintenance ne sont pas suivies, la corrosion sur la paroi interne du réservoir d'air comprimé peut faire que celui-ci éclate de façon inopinée laissant soudainement l'air pressurisé s'échapper avec force, posant ainsi des risques de dommages corporels à l'utilisateur.

Le réservoir d'air de votre compresseur doit être mis hors service à la fin de l'année mentionnée sur l'étiquette d'avertissement apposée sur le réservoir.

Les conditions suivantes peuvent amener la dégradation du réservoir d'air, et faire que ce dernier explose violemment :

## CE QUI PEUT SE PRODUIRE

- Le défaut de ne pas vidanger correctement le réservoir d'air, provoque la formation de rouille et un amincissement du réservoir d'air en acier.
- Modifications apportées au réservoir d'air ou tentatives de réparation.
- Des modifications non autorisées de la soupape de décompression, ou de tous autres composants qui régissent la pression du réservoir d'air.

## COMMENT L'ÉVITER

- Vidanger le réservoir d'air quotidiennement ou après chaque utilisation. Si le réservoir présente une fuite, le remplacer immédiatement par un nouveau réservoir d'air ou par un nouveau compresseur.
- Ne jamais percer un trou dans le réservoir d'air ou ses accessoires, y faire de la soudure ou y apporter quelque modification que ce soit. Ne jamais essayer de réparer un réservoir d'air endommagé ou avec des fuites. Le remplacer par un nouveau réservoir d'air.
- Le réservoir d'air a été conçu pour supporter des pressions spécifiques de fonctionnement. N'effectuez jamais de réglages ou de remplacements de pièces, pour modifier les pressions de fonctionnement réglées en usine.

## Attachements et accessoires :

- Lorsqu'on excède la pression nominale des outils pneumatiques, des pistolets pulvérisateurs, des accessoires à commande pneumatique, des pneus et d'autres dispositifs pneumatiques, on risque de les faire exploser ou de les projeter et ainsi entraîner des blessures graves.
- Respecter les recommandations du fabricant de l'équipement et ne jamais dépasser la pression nominale maximale permise des accessoires. Ne jamais utiliser le compresseur pour gonfler de petits objets à basse pression comme des jouets d'enfant, des ballons de football et de basketball, etc.

## Pneus :

- Des pneus surgonflés pourraient provoquer des blessures graves et des dommages à la propriété.
- Utiliser un manomètre pour vérifier la pression des pneus avant chaque utilisation et lors du gonflage; consulter le flanc de pneu pour obtenir la pression correcte.  
**REMARQUE :** Les réservoirs d'air comprimé, compresseurs et autres équipements similaires utilisés pour gonfler les pneus peuvent remplir ces derniers très rapidement. Régler le régulateur de pression d'air à une pression moindre que celle indiquée sur le pneu. Ajouter de l'air par petite quantité et utiliser fréquemment le manomètre pour empêcher un surgonflage.



**⚠ DANGER : RISQUE DE BLESSURES OU DE DOMMAGES À LA PROPRIÉTÉ LORS DU TRANSPORT OU DU RANGEMENT**

**CE QUI PEUT SE PRODUIRE**

- L'huile peut fuir ou se déverser. Cela pourrait se solder par un incendie ou un danger d'inhalation; des blessures graves ou un décès. Les fuites d'huile endommageront le tapis, la peinture ou toutes autres surfaces de véhicules ou de remorques.

**COMMENT L'ÉVITER**

- Toujours installer le compresseur sur un revêtement protecteur lors du transport pour protéger le véhicule de tous dommages associés aux fuites. Retirer immédiatement le compresseur du véhicule dès l'arrivée à destination. Toujours tenir le compresseur à niveau et ne jamais le déposer sur son côté.



**⚠ AVERTISSEMENT : RISQUE PROVENANT DES OBJETS PROJÉTÉS EN L'AIR**

**CE QUI PEUT SE PRODUIRE**

- Le flux d'air comprimé peut endommager les tissus mous de la peau exposée et peut projeter la poussière, des fragments, des particules détachées et des petits objets à haute vitesse, ce qui entraînerait des dommages et des blessures personnelles.

**COMMENT L'ÉVITER**

- Toujours utiliser de l'équipement de sécurité homologué : protection oculaire conforme à la norme ANSI Z87.1 (CAN/CSA Z94.3) munie d'écrans latéraux lors de l'utilisation du compresseur.
- Ne jamais pointer une buse ou un pulvérisateur vers une partie du corps ou vers d'autres personnes ou des animaux.
- Toujours mettre le compresseur hors tension et purger la pression du tuyau à air et du réservoir d'air avant d'effectuer l'entretien, de fixer des outils ou des accessoires.



### ⚠ AVERTISSEMENT : ATTENTION SURFACES CHAUDES

#### CE QUI PEUT SE PRODUIRE

- Toucher à du métal exposé comme la tête du compresseur ou de sortie, peut se solder en de sérieuses brûlures.

#### COMMENT L'ÉVITER

- Ne jamais toucher à des pièces métalliques exposées sur le compresseur pendant ou immédiatement après son utilisation. Le compresseur restera chaud pendant plusieurs minutes après son utilisation.
- Ne pas toucher ni effectuer des réparations aux coiffes de protection avant que l'appareil n'ait refroidi.



### ⚠ AVERTISSEMENT : RISQUE DE CHOC ÉLECTRIQUE

#### CE QUI PEUT SE PRODUIRE

- Votre compresseur d'air est alimenté à l'électricité. Tout comme n'importe quel autre dispositif alimenté de façon électrique, s'il n'est pas utilisé correctement, il peut causer un choc électrique.

#### COMMENT L'ÉVITER

- Ne faites jamais fonctionner le compresseur à l'extérieur lorsqu'il pleut ou dans des conditions humides.
- Ne faites jamais fonctionner le compresseur avec les couvercles de protection enlevés ou endommagés.

- Les tentatives de réparation par un personnel non qualifié peuvent résulter en de graves blessures, voire la mort par électrocution.
- Tout câblage électrique ou toute réparation nécessaire pour ce produit doit être pris en charge par un centre de réparation en usine autorisé DEWALT ou un centre de réparation DEWALT conformément aux codes électriques nationaux et locaux.
- **Mise à la terre électrique** : le fait de ne pas faire une mise à la terre adéquate de ce produit pourrait résulter en des blessures graves voire la mort par électrocution. Consulter les directives relatives à la mise à la terre sous *Installation*.
- Assurez-vous que le circuit électrique auquel le compresseur est connecté, fournit une mise à la terre électrique appropriée, une tension adéquate et une protection adaptée.



## **⚠️ AVERTISSEMENT : RISQUE ASSOCIÉ À UTILISATION DANGEREUSE**

### **CE QUI PEUT SE PRODUIRE**

- Une utilisation dangereuse de votre compresseur d'air pourrait provoquer de graves blessures, voire votre décès ou celle d'autres personnes.

### **COMMENT L'ÉVITER**

- Revoir et comprendre toutes les directives et les avertissements contenus dans le présent mode d'emploi.
- Se familiariser avec le fonctionnement et les commandes du compresseur d'air.
- Dégager la zone de travail de toutes personnes, animaux et obstacles.
- Tenir les enfants hors de portée du compresseur d'air en tout temps.
- Ne pas utiliser le produit en cas de fatigue ou sous l'emprise d'alcool ou de drogues. Rester vigilant en tout temps.
- Ne jamais rendre inopérant les fonctionnalités de sécurité du produit.
- Installer un extincteur dans la zone de travail.
- Ne pas utiliser l'appareil lorsqu'il manque des pièces ou que des pièces sont brisées ou non autorisées.
- Ne jamais se tenir debout sur le compresseur.



## **⚠️ AVERTISSEMENT : RISQUE ASSOCIÉ AUX PIÈCES MOBILES**

### **CE QUI PEUT SE PRODUIRE**

- Les pièces mobiles comme une poulie, un volant ou une courroie peuvent provoquer de graves blessures si elles entrent en contact avec vous ou vos vêtements.
- Utiliser le compresseur avec des pièces endommagées ou manquantes ou le réparer sans coiffes de protection risque de vous exposer à des pièces mobiles et peut se solder par de graves blessures.

### **COMMENT L'ÉVITER**

- Ne jamais utiliser le compresseur si les protecteurs ou les couvercles sont endommagés ou retirés.
- Garder les cheveux, les vêtements et les gants à l'écart des pièces mobiles. Les vêtements amples, bijoux ou cheveux longs peuvent s'enchevêtrer dans les pièces mobiles.
- S'éloigner des événements car ces derniers pourraient camoufler des pièces mobiles.
- Toutes les réparations requises pour ce produit devraient être effectuées par un centre de réparation de l'usine DEWALT ou un centre de réparation agréé DEWALT.



### ⚠ **AVERTISSEMENT : RISQUE DE BLESSURE EN SOULEVANT LE PRODUIT**

#### **CE QUI PEUT SE PRODUIRE**

- Soulever un objet trop lourd peut se solder par de graves blessures.

#### **COMMENT L'ÉVITER**

- Le compresseur est trop lourd pour être soulevé par une seule personne. Demander de l'aide avant de le soulever.



### ⚠ **ATTENTION : RISQUES CAUSÉS PAR LE BRUIT**

#### **CE QUI PEUT SE PRODUIRE**

- Dans certaines conditions et selon la durée d'utilisation, le bruit provoqué par ce produit peut contribuer à une perte auditive.

#### **COMMENT L'ÉVITER**

- Toujours utiliser un équipement de sécurité homologué : protection auditive conforme à la norme ANSI S12.6 (S3.19).

## **CONSERVER CES CONSIGNES POUR UTILISATION ULTÉRIEURE**

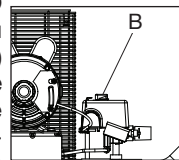
### **FAMILIARISEZ-VOUS AVEC VOTRE COMPRESSEUR D'AIR**

LISEZ CE GUIDE DE L'UTILISATEUR ET TOUTES LES MESURES DE SÉCURITÉ AVANT D'UTILISER CET APPAREIL. Comparez les illustrations à votre appareil pour vous familiariser avec l'emplacement des commandes et boutons de réglage. Conservez ce guide pour références ultérieures.

## **CARACTÉRISTIQUES**

### **INTERRUPTEUR AUTO (-)/ARRÊT (OFF) (O)**

Mettre cet interrupteur (B) sur la position AUTO (-) pour avoir une alimentation automatique au manoccontacteur et sur la position ARRÊT (OFF) (O) pour la mise hors tension à la fin de chaque utilisation. **REMARQUE** : Avant de retirer ou de replacer le capot du manoccontacteur, assurez-vous de TOUJOURS placer l'interrupteur (B) en position d'arrêt (OFF) (O) et de débrancher l'unité.

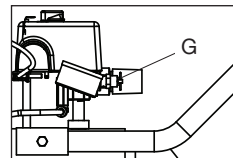


### **MANOCONTACTEUR**

Le manoccontacteur (non illustré) démarre automatiquement le moteur lorsque la pression du réservoir d'air chute sous la pression d'enclenchement réglée en usine. Il arrête le moteur lorsque la pression du réservoir d'air atteint la pression de déclenchement réglée en usine.

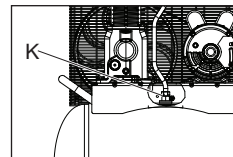
### **SOUPAPE DE SÛRETÉ**

La soupape (G) est conçue pour prévenir des défaillances système en décompressant celui-ci lorsque le compresseur d'air atteint un niveau préétabli. La soupape est réglée par le fabricant et ne doit pas être retirée ou modifiée de quelque manière que ce soit.



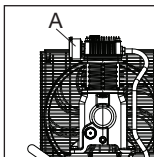
### **CLAPET**

Lorsque le compresseur d'air fonctionne, le clapet (K) est ouvert, ce qui permet à l'air comprimé d'entrer dans le réservoir d'air. Lorsque le compresseur d'air atteint la pression de déclenchement, le clapet se ferme, ce qui permet à la pression d'air de rester dans le réservoir d'air.



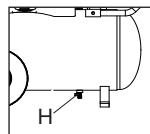
## FILTRE D'ADMISSION D'AIR

Le filtre (A) sert à purifier l'air qui entre dans la pompe. Pour que la pompe reçoive constamment un flux d'air propre, froid et sec, le filtre doit toujours être propre et l'entrée d'air doit être exempte d'obstructions.



## ROBINET DE PURGE

Le robinet de purge (H) se trouve à la base du réservoir d'air et est utilisé pour vidanger la condensation à la fin de chaque utilisation. Consulter le chapitre Vidange du réservoir sous Entretien.



## MANOMÈTRE RÉGLÉ

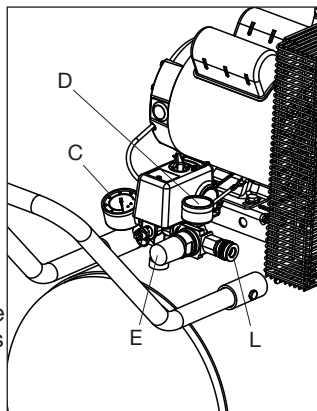
Le manomètre de prise (D) indique la pression d'air disponible du côté de la prise du régulateur. Cette pression est contrôlée par le régulateur. Le régulateur est conçu pour permettre des pressions allant jusqu'à 150 PSI.

## MANOMÈTRE DE RÉSERVOIR

Le manomètre de réservoir (C) indique la pression d'air de réserve dans le réservoir.

## CORPS DE BRANCHEMENT RAPIDE UNIVERSELS

Le corps de branchement rapide universel (L) accepte les trois styles de prises de branchement rapide les plus populaires : industrielle, automobile, et ARO. Il suffit tout simplement



d'appuyer une seule fois pour connecter le corps de branchement rapide à la prise.

## RÉGULATEUR

Le bouton du régulateur (E) contrôle la pression provenant du réservoir d'air.

### Réglage du régulateur :

Tourner le bouton en sens horaire pour régler la pression et en sens antihoraire pour la réduire.

**⚠AVERTISSEMENT :** *Risque d'éclatement. Une pression d'air trop élevée conduit à un risque dangereux d'éclatement. Vérifiez la pression nominale maximum du fabricant pour tous les outils pneumatiques et accessoires utilisés. La pression de sortie du régulateur ne doit jamais excéder la pression nominale maximum.*

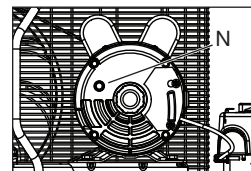
## POMPE DE COMPRESSEUR D'AIR

La pompe compresse l'air dans le réservoir d'air. L'air de travail n'est pas disponible avant que le compresseur ait augmenté la pression du réservoir d'air au-dessus de ce qui est requis à la sortie d'air.

## PROTECTEUR DE SURCHARGE DU MOTEUR

Le moteur dispose d'un protecteur de surcharge thermique. Si le moteur surchauffe, peu importe la raison, le protecteur de surcharge met le moteur hors tension. Il faut donner au moteur le temps de refroidir avant de le redémarrer. Redémarrage:

1. Mettre le levier Auto/Off en position «OFF» (O), puis débrancher l'appareil.



2. Laisser le moteur refroidir.
3. Enfoncez le bouton rouge (N) de remise sur le moteur.
4. Brancher le cordon d'alimentation dans le bon réceptacle de circuit de dérivation.
5. Mettre le levier Auto/Off en position de «AUTO»(-).

## INSTALLATION

### Assemblage

Sortez le compresseur d'air de sa boîte. Inspectez-le pour vous assurer qu'il n'est pas endommagé. S'il a été endommagé pendant le transport, référez-vous à l'étiquette de transport et déclarez les dommages aux transporteurs. Faites cette démarche immédiatement étant donné les délais limites des demandes d'indemnisation.

Le carton doit contenir:

- compresseur d'air
- mode d'emploi
- poignée
- fiches d'instructions

Vérifiez l'étiquette du numéro de série du compresseur pour vous assurer qu'il s'agit bien du modèle commandé et que la pression nominale est conforme à l'utilisation prévue.

### RACCORDEMENT DES TUYAUX

**⚠️ AVERTISSEMENT :** *Risque d'utilisation dangereuse. Saisir fermement le tuyau en main lors du raccordement ou de la déconnexion pour empêcher un à-coup du tuyau.*

1. S'assurer que le manomètre régulé indique 0 PSI.
2. Saisissez l'extrémité de la connexion rapide du tuyau et poussez l'extrémité dans le corps de la connexion rapide (L). L'accouplement s'emboîtera à sa place.
3. Saisissez le tuyau et tirez-le pour vous assurer que l'accouplement est solidement fixé.

### DÉCONNEXION DES TUYAUX

**⚠️ AVERTISSEMENT :** *Risque d'utilisation dangereuse. Saisir fermement le tuyau en main lors du raccordement ou de la déconnexion pour empêcher un à-coup du tuyau.*

1. S'assurer que le manomètre régulé indique 0 PSI.
2. Tirez l'accouplement de la connexion rapide vers l'arrière, pour relâcher l'extrémité de la connexion rapide du tuyau.

### Lubrification et huile

#### COMPRESSEUR D'AIR

Le fabricant a fait le plein d'huile de pompe **EN** usine. Vérifier le niveau d'huile de la pompe avant de l'utiliser. Consulter la rubrique **Huile de la pompe du compresseur** sous *Entretien*.

#### Compatibilité

Les outils pneumatiques et les accessoires utilisés avec le compresseur doivent être compatibles avec des produits dérivés du pétrole. En cas d'incompatibilité probable avec des dérivés du pétrole, utiliser un filtre de canalisation d'air pour retirer l'humidité et les vapeurs d'huile du compresseur d'air.

**REMARQUE :** Toujours utiliser un filtre de canalisation d'air pour retirer l'humidité et les vapeurs d'huile lors de la pulvérisation de peinture.

#### Emplacement

- Placez le compresseur d'air dans un endroit propre, sec et bien ventilé.
- Le compresseur d'air devrait être placé à au moins 30,5 cm (12 po) de distance d'un mur ou d'autres obstructions qui pourraient nuire au débit d'air.
- Le compresseur d'air doit être situé aussi près de la source d'alimentation électrique principale que possible pour éviter l'utilisation de câbles électriques trop longs.



**REMARQUE :** Les câbles électriques trop longs peuvent entraîner une perte de puissance au moteur.

- Le filtre à air doit être propre et sans obstructions qui pourraient réduire le débit d'air au compresseur d'air.

### **Environnements frais**

Dans les environnements souvent frais, il y a risque de formation d'humidité dans la pompe et de boue dans l'huile. Ceux-ci provoquent une usure prématurée des pièces mobiles. Un excès d'humidité survient principalement dans les environnements non chauffés où l'appareil est soumis à de grandes variations thermiques. On reconnaît l'humidité excessive en présence de deux signes : la formation condensation externe sur la pompe lorsqu'elle refroidit et de l'apparence « laiteuse » de l'huile du compresseur. Il est possible d'empêcher la formation d'humidité dans la pompe en augmentant la circulation d'air ou en utilisant le compresseur d'air plus longtemps.

### **Directives de câblage**

**⚠AVERTISSEMENT :** Une mauvaise connexion électrique de ce produit pourrait annuler la garantie et votre assurance contre les incendies. Faire câbler le circuit par un professionnel, comme un électricien agréé, familier avec le code électrique national actuel, ainsi qu'avec tout autre code électrique local en vigueur.

**⚠AVERTISSEMENT :** Risque de chocs électriques. Une mise à la terre électrique inappropriée peut causer des chocs électriques. Le câblage devrait être effectué par un électricien qualifié.

Pour les normes de tension et d'ampérage de l'unité, veuillez référer à l'étiquette de série du compresseur d'air. Pour obtenir le meilleur rendement et un démarrage fiable, le compresseur d'air doit être branché dans un circuit spécialisé, le plus près possible de la boîte de fusibles ou du disjoncteur. Le compresseur utilisera la pleine capacité d'un circuit domestique typique

de 15 ampères. Si d'autres appareils électriques puisent dans le circuit du compresseur, il se peut que le compresseur ne démarre pas. Une basse tension ou un circuit surchargé peut entraîner un démarrage lent, provoquant le déclenchement du système de protection contre les surcharges du moteur ou du disjoncteur, en particulier par temps froid.

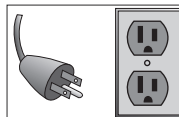
**REMARQUE :** L'usage d'un disjoncteur est recommandé.

Si le compresseur d'air est raccordé à un circuit protégé par un fusible, utilisez uniquement des fusibles à retardement.

**⚠AVERTISSEMENT :** Le câblage électrique doit être éloigné des surfaces chaudes, telles que le collecteur, les tubes de sortie du compresseur, les têtes et les cylindres.

### **Câblage électrique**

1. Ce produit doit être mis à la terre. Dans le cas d'un court-circuit électrique, la mise à la terre réduit le risque de choc électrique en offrant un câble d'échappement pour le courant électrique. Ce produit est équipé d'un câble



de mise à la terre avec une prise appropriée. La prise doit être branchée dans une sortie adéquatement installée et mise à la terre selon tous les codes et les ordonnances locaux.

**⚠AVERTISSEMENT :** Une installation inadéquate de la prise de mise à la terre peut engendrer un risque de choc électrique. Lors de la réparation ou du remplacement du câble ou de la prise, ne connectez pas le câble de mise à la terre à l'un des terminaux à lame plate. Le câble avec isolation possède une surface extérieure verte avec ou sans bandes jaunes est le câble de mise à la terre.

2. Le remplacement du mot indicateur « DANGER » pour « AVERTISSEMENT » n'est pas interdit lorsque le risque associé avec le produit est tel que si une situation similaire existe, et qu'elle ne peut être évitée, peut entraîner la mort ou des blessures graves. Vérifiez avec un électricien certifié ou un technicien lorsque les instructions de mise à la terre ne sont pas complètement comprises, ou en cas de doute, si le produit est convenablement mis à la terre. Ne modifiez pas la prise fournie; si elle n'entre pas dans la sortie, faites installer la bonne sortie par un électricien certifié.
3. Le produit est pour utilisation dans un circuit nominal 120-V et possède une prise de mise à la terre similaire à celle illustrée sur l'image. Ne connectez le produit qu'à une sortie possédant la même configuration que la prise. N'utilisez pas un adaptateur avec ce produit.

**▲ATTENTION : Risque de choc électrique. UNE MISE À LA TERRE INADÉQUATE PEUT PROVOQUER UN CHOC ÉLECTRIQUE.**

- Ne modifiez pas la fiche fournie. Si elle ne s'incère pas dans la prise disponible, une prise adéquate doit être installée par un électricien qualifié.
- Les réparations au cordon ou à la fiche DOIVENT être faites par un électricien qualifié.

## Rallonges

Si une rallonge doit être utilisée, s'assurer :

- d'utiliser une rallonge à trois fils, munie d'une fiche à trois lames avec mise à la terre et une prise de courant à trois fentes qui accepte la fiche de la rallonge;
- qu'elle est en bon état;
- prise n'est pas usée;
- qu'elle n'excède pas 15,2 m (50 pi);

- que les fils sont d'un calibre minimum de 12 AWG. (La grosseur du fil augmente comme le numéro de calibre diminue. Les fils de calibre 10 AWG et 8 AWG peuvent également être utilisés. NE PAS UTILISER UN FIL DE CALIBRE 14 OU 16 AWG.)

**AVIS :** L'utilisation d'une rallonge produira une chute de tension qui entraînera une perte de puissance au moteur ainsi qu'une surchauffe. Au lieu d'utiliser une rallonge électrique, augmentez plutôt la longueur du boyau d'air en connectant un autre boyau à l'extrémité. Connectez des boyaux supplémentaires au besoin. Toujours utiliser un tuyau d'air de 9,5 mm (3/8 po) ou plus prévu pour une pression de 300 PSI.

## Protection de la tension et du circuit

**▲ATTENTION :** Certains compresseurs d'air peuvent fonctionner sur un circuit de 15 A si les conditions suivantes sont réunies.

- L'alimentation en tension doit se conformer au Code électrique national.
- Le circuit n'est pas utilisé pour alimenter d'autres besoins en électricité.
- Les rallonges doivent se conformer aux spécifications.
- Le circuit est équipé d'un disjoncteur de 15 A au minimum ou d'un fusible à temporisation de 15 A. REMARQUE : si le compresseur est branché à un circuit protégé par des fusibles, utiliser seulement des circuits à temporisation.

Si une des conditions ci-dessus n'est pas satisfaite, ou si le fonctionnement du compresseur cause des interruptions du courant électrique, il peut s'avérer nécessaire de faire fonctionner l'appareil à partir d'un circuit à 20 A. Il n'est pas nécessaire de changer les cordons.

## Utilisation de l'appareil (Fig. 2)

### ARRÊT DE L'APPAREIL

Réglez le levier marche/automatique/arrêt Auto/Off à la position d'arrêt « Off ».

### AVANT LE DÉMARRAGE

**⚠️ AVERTISSEMENT :** Ne pas utiliser cet appareil avant d'avoir lu et compris le mode d'emploi ainsi que l'intégralité des directives de sécurité, d'utilisation et d'entretien.

### PROCÉDURES DE RODAGE

**AVIS :** Risque de dommages à la propriété. Le compresseur d'air peut subir d'importants dommages si les procédures de rodage ne sont pas suivies à la lettre.

Cette procédure doit être exécutée avant d'utiliser le compresseur d'air pour la première fois et après le remplacement de la soupape de retenue ou de la pompe complète du compresseur.

1. Assurez-vous que le levier marche/automatique/arrêt Auto/Off est en position d'arrêt « Off ».
2. Vérifiez le niveau d'huile dans la pompe. Pour les instructions, consultez les paragraphes Huile dans la section intitulée Entretien.
3. Vérifiez tout le câblage. Assurez-vous que les fils sont bien fixés à toutes les connexions à bornes. Assurez-vous que tous les contacts se déplacent librement et qu'ils ne sont pas obstrués.
4. Ouvrez complètement le robinet de purge pour éliminer l'air et empêcher toute accumulation de pression d'air dans le réservoir d'air au cours de la période de rodage.
5. Placez le levier Auto/Off à la position « Auto ». Le compresseur se mettra en marche.

6. Faire fonctionner le compresseur pendant 30 minutes. Assurez-vous que le robinet de purge et toutes les conduites d'air sont ouverts pour qu'il y ait un minimum d'accumulation de pression d'air dans le réservoir.

**REMARQUE :** Si après 30 minutes l'appareil ne fonctionne pas correctement, **ARRÊTEZ-LE IMMÉDIATEMENT** et contactez le service après-vente.

7. Assurez-vous qu'il n'y a pas de fuites d'air aux raccords des conduites d'air ni aux connexions/tuyaux en y appliquant une solution savonneuse. Corrigez tout problème, s'il y a lieu. **REMARQUE:** Des fuites mineures peuvent forcer le compresseur d'air à travailler trop fort, entraînant ainsi une panne prématurée ou un rendement médiocre.
8. Vérifiez s'il y a des vibrations excessives.
9. Au bout de 30 minutes, Placez le levier Auto/Off à la position « Off ».
10. Fermez le robinet de vidange en le tournant en sens horaire.
11. Déplacez l'interrupteur Auto/Off à la position de « Auto ». Le récepteur d'air se remplira jusqu'à ce que l'appareil atteigne la pression « de rupture » et le moteur s'arrêtera ensuite. Le compresseur d'air est maintenant prêt pour l'utilisation.

### AVANT CHAQUE MISE EN MARCHÉ (FIG. 2)

1. Tous les jours, vérifiez le hublot en verre pour vous assurer que le niveau d'huile dans la pompe est au niveau requis.
2. Placez le levier Auto/Off à la position « Off ».
3. Fermez le robinet à soupape/la sortie de décharge d'air.
4. Vérifiez visuellement qu'il n'y a aucune fuite au niveau des conduites et raccords.
5. Vérifiez la soupape de sûreté. Se reporter à la rubrique Vérification de la soupape de sûreté sous Entretien.

6. Tournez le bouton du régulateur dans le sens antihoraire pour régler la pression de sortie à zéro.
7. Raccordez le boyau et les accessoires.

**⚠AVERTISSEMENT :** Risque d'utilisation dangereuse. Saisir fermement le tuyau en main lors du raccordement ou de la déconnexion pour empêcher un à-coup du tuyau.

**⚠AVERTISSEMENT :** Risque d'utilisation dangereuse. N'utilisez pas les accessoires endommagés ou portés.

**REMARQUE :** Le boyau ou l'accessoire doit être muni d'une fiche à connexion rapide si la sortie d'air est équipée d'une douille à connexion rapide.

**⚠AVERTISSEMENT :** Risque d'éclatement. Une pression d'air trop élevée conduit à un risque dangereux d'éclatement. Vérifiez la pression nominale maximum du fabricant pour tous les outils pneumatiques et accessoires utilisés. La pression de sortie du régulateur ne doit jamais excéder la pression nominale maximum.

**⚠ATTENTION :** Risque d'utilisation dangereuse. L'air comprimé de l'appareil pourrait contenir de l'eau condensée et des brumes d'huile. Ne pas vaporiser de l'air non filtré sur un article que l'humidité pourrait endommager. Certains outils ou dispositifs pneumatiques pourraient requérir de l'air filtré. Lire les directives pour l'outil ou le dispositif pneumatique.

## MISE EN MARCHÉ

1. Placez le levier Auto/Off à la position « Auto » et attendez jusqu'à ce que la pression augmente. Le moteur s'arrêtera lorsque la pression dans le réservoir atteint la «pression de rupture».
2. Tournez le bouton du régulateur dans le sens horaire pour augmenter la pression.

**REMARQUE :** Lorsque vous utilisez un régulateur ou tout autre accessoire, consultez toujours les directives du abriquant.

**⚠AVERTISSEMENT :** Risque d'éclatement. Si n'importe quel bruit ou vibration peu commun est noté, arrêtez le compresseur immédiatement et faites-vérifier le par un technicien qualifié de service.

Le compresseur d'air est maintenant prêt pour l'utilisation.

## Arrêt (Fig. 2)

1. Mettre l'interrupteur Auto/Arrêt (L) en position d'ARRÊT.  
REMARQUE : Si l'utilisation du compresseur est terminée, suivre les étapes 2 à 7.
2. Tournez le bouton du régulateur (F) dans le sens antihoraire jusqu'à ce que complètement fermée. S'assurer que le manomètre réglé indique 0 PSI.
3. Retirer le tuyau et l'accessoire.

**⚠AVERTISSEMENT :** Risque d'utilisation dangereuse. Saisir fermement le tuyau en main lors du raccordement ou de la déconnexion pour empêcher un à-coup du tuyau.

4. Purger le réservoir d'air, consulter la rubrique Purger le réservoir d'air sous Entretien. S'assurer que le manomètre du réservoir d'air affiche 0 PSI.

**⚠AVERTISSEMENT :** Risque d'éclatement. Purger le réservoir d'air quotidiennement. L'eau se condensera dans le réservoir d'air. Si l'eau n'est pas vidangée, elle corrodera et affaiblira le réservoir d'air, provoquant ainsi un risque de rupture du réservoir d'air.

5. Laisser refroidir le compresseur.
6. Nettoyer le compresseur d'air avec un chiffon et le ranger dans un endroit sûr sans risque de gel.
7. Débranchez le compresseur à air et enroulez le câble d'alimentation autour de la poignée

**⚠️ AVERTISSEMENT :** Risque d'utilisation dangereuse. L'appareil commence automatiquement à fonctionner lorsqu'il est mis en marche. Lors de l'entretien, vous pourriez vous exposer à des sources de tension, d'air comprimé ou à des pièces en mouvement. Des blessures pourraient ainsi survenir. Avant de faire tout entretien ou toute réparation, débranchez la source d'alimentation du compresseur et laissez s'échapper toute la pression d'air.

Pour assurer au compresseur d'air une opération efficace et une durée de vie plus longue, un horaire d'entretien périodique devrait être élaboré et suivi. L'horaire d'entretien périodique suivant s'applique à un appareil dans des conditions normales d'utilisation et étant utilisé quotidiennement. Au besoin, cet horaire peut être modifié pour convenir aux conditions d'utilisation de votre compresseur. Ces modifications dépendront du nombre d'heures d'opération et de l'environnement de travail. Les compresseurs placés dans des environnements très sales et/ou très hostiles exigeront que toutes les vérifications d'entretien soient effectuées plus fréquemment.

**REMARQUE :** Pour voir l'emplacement des commandes, voir la section Utilisation.

## Programme d'entretien

Procédure	Quotidienne	Hebdomadaire	Mensuelle	1 an ou 100 heures	Se reporter à l'étiquette d'avertissement sur le réservoir
Vérification de la soupape de sûreté	X				
Inspecter le filtre à air		X <sup>+</sup>			
Vidange du réservoir d'air	X				
Vérification du niveau d'huile de la pompe	X				

Procédure	Quotidienne	Hebdomadaire	Mensuelle	1 an ou 100 heures	Se reporter à l'étiquette d'avertissement sur le réservoir
Vidange de l'huile de la pompe				X <sup>***</sup>	
Inspection de fuite d'huile	X				
Inspection de la courroie d'entraînement	X				
Vérification de la tension de la courroie d'entraînement			X		
Vérification de l'alignement de la poulie/volant				X	
Recherche de bruits ou de vibrations inhabituels	X				
Vérification des fuites d'air	X*				
Nettoyage de la partie externe du compresseur		X			
Mettre le réservoir hors service					X <sup>++</sup>

\* Pour trouver des fuites d'air, appliquer une solution d'eau savonneuse autour des joints. Alors que le compresseur développe la pression et que l'accumulation de pression cesse, rechercher toute trace de bulles d'air.

**\*\*** Veuillez vidanger l'huile de la pompe après les 20 premières heures de fonctionnement. Par la suite, vidanger l'huile à tous les 100 heures de fonctionnement ou une fois l'an selon la première éventualité et utiliser entièrement synthétique non détergente pour compresseur d'air Huile.

**+** Vidange plus fréquente sous conditions poussiéreuses ou humides

**++** Pour plus d'informations, composer le 1-888-895-4549 (1-800-433-9258).

## Vérification de la soupape de sûreté

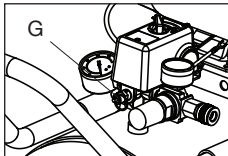
**⚠AVERTISSEMENT** : Surfaces chaudes. Risque de brûlure. La tête de pompe et les pièces contiguës sont très chaudes – ne pas les toucher (consulter la rubrique Surfaces chaudes de la figure 2). Laisser refroidir le compresseur avant d'effectuer des réparations sur l'appareil.

**⚠AVERTISSEMENT** : Risque d'éclatement. Si la soupape de sûreté ne fonctionne pas correctement, il peut se produire une surpression, causant ainsi la rupture du réservoir d'air ou une explosion.

**⚠AVERTISSEMENT** : Risque provenant des objets projetés en l'air. Toujours utiliser de l'équipement de sécurité homologué : protection oculaire conforme à la norme ANSI Z87.1 (CAN/CSA Z94.3) munie d'écrans latéraux.

**⚠AVERTISSEMENT** : Toujours utiliser un équipement de sécurité homologué : protection auditive conforme à la norme ANSI S12.6 (S3.19).

Avant de mettre en marche le compresseur, tirez sur la bague de la soupape de sûreté pour vous assurer que la soupape fonctionne librement. Si la soupape est coincée ou ne fonctionne pas bien, il faut la remplacer par une soupape du même type.

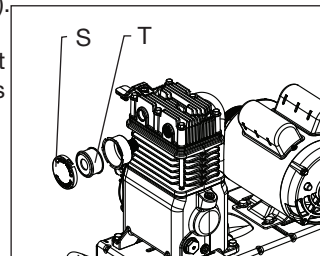


## Vérification des éléments du filtre d'air

**⚠AVERTISSEMENT** : Surfaces chaudes. Risque de brûlure. Le postrefroidisseur, la tête de pompe et les pièces contiguës sont très chaudes – ne pas les toucher (consulter la rubrique Surfaces chaudes de la figure 1). Laisser refroidir le compresseur avant d'effectuer des réparations sur l'appareil.

Un filtre à air encrassé ne permettra pas au compresseur de fonctionner à sa pleine capacité. Assurez-vous que le filtre à air est propre en tout temps.

1. Assurez-vous que le levier marche/automatique/arrêt Auto/Off est en position d'arrêt « Off ».
2. Laisser refroidir l'appareil.
3. Dégagez le couvercle du filtre à air pour le retirer. (S)
4. Vérifiez les éléments filtrants (T). S'ils sont souillés, soufflez de l'air comprimé à travers l'élément filtrant pendant 10 à 15 secondes ou remplacez-le si nécessaire. Si le filtre est rempli de peinture, remplacez-le.
5. Placez l'élément dans le boîtier et remplacez le couvercle du filtre à air.



**⚠ATTENTION** : Risque d'utilisation dangereuse. Ne pas utiliser sans le filtre d'admission d'air.

## Vidange du réservoir à air (Fig. 2)

**⚠AVERTISSEMENT** : Risque d'utilisation dangereuse. Risque associé au bruit. Les réservoirs d'air contiennent de l'air sous haute pression. Éloigner le visage [ANSI Z87.1 (CAN/CSA Z94.3)] et toutes autres parties du corps de l'orifice de vidange. Porter des lunettes de sécurité lors de la vidange car il y a risque de projection de débris au visage.

**⚠AVERTISSEMENT** : Risque associé au bruit. Utiliser une protection auditive [ANSI S12.6 (S3.19)] car le flux d'air sortant est strident en cours de vidange.

**REMARQUE :** Tous les systèmes de compression d'air génèrent des condensats qui s'accumulent à un point de vidange (par ex., réservoir, filtre, dispositifs de postrefroidissement ou sécheur). Le condensat contient de l'huile lubrifiante ou des substances contrôlées, ou les deux, et doivent être éliminés conformément aux lois et règlements municipaux, provinciaux, territoriaux et fédéraux.

1. Placez le levier Auto/Off à la position « Off » et débranchez l'unité.
2. Tournez le bouton du régulateur dans le sens antihoraire pour régler la pression de sortie à zéro.
3. Enlevez l'outil pneumatique ou l'accessoire.
4. Tirez l'anneau de la soupape de sûreté pour permettre à l'air de purger du réservoir jusqu'à ce que la pression dans le réservoir se situe à environ 20 lb/po<sup>2</sup>. Relâchez l'anneau de la soupape de sûreté.
5. Vidangez l'eau du réservoir en ouvrant le robinet de vidange, situé en bas du réservoir.

**⚠AVERTISSEMENT :** Risque d'éclatement. L'eau dans le réservoir d'air peut condenser. Si l'eau n'est pas vidangée, cela risque de corroder et d'affaiblir le réservoir d'air, produisant ainsi un risque de rupture du réservoir d'air.

**AVIS :** Risque de dommages à la propriété. L'eau qui est purgée du réservoir d'air pourrait contenir de l'huile et de la rouille. Ces derniers risquent de tacher.

6. Une fois la vidange de l'eau terminée, fermez le robinet de vidange. Le compresseur d'air peut maintenant être rangé.

**REMARQUE :** Si le robinet de vidange à l'égout est obstrué, laissez s'échapper complètement la pression d'air. Le robinet de vidange pourra alors être retiré, nettoyé et remis en place.

## Huile de la pompe du compresseur (Fig. 3)

**AVIS :** Risque de dommages à la propriété. Utiliser uniquement de l'huile pour compresseur d'air. Ne pas utiliser d'huiles moteur multi-grades dans les compresseurs d'air comme le 10W30. Elles laissent des dépôts de carbone dans des composants essentiels, réduisant ainsi les performances et la durée de vie du compresseur.

**REMARQUE :** Huile entièrement synthétique non détergente pour compresseur d'air.

**REMARQUE :** Remplissez lentement le carter jusqu'au haut du trou de remplissage. La capacité du carter est de 16.0 onces fluides (473 ml).

### Vérification

**⚠AVERTISSEMENT :** Purgez le réservoir pour libérer la pression d'air avant de retirer le bouchon de remplissage d'huile ou le bouchon de vidange d'huile.

1. Le niveau d'huile devrait se situer au milieu du voyant (K).
2. Retirez le bouchon de remplissage d'huile (I) et, si nécessaire, ajoutez lentement de l'huile jusqu'à ce que le niveau se situe au milieu du voyant.

### Changement

**⚠AVERTISSEMENT :** Purgez le réservoir pour libérer la pression d'air avant de retirer le bouchon de remplissage d'huile ou le bouchon de vidange d'huile.

1. Retirez le culot du trou de remplissage d'huile (I).
2. Retirez le culot de vidange de l'huile (J) et vidangez l'huile dans un contenant approprié.
3. Remettez en place le culot de vidange d'huile (J) et resserrez-le.
4. Ajoutez lentement de l'huile pour compresseurs jusqu'à ce que le niveau se situe au milieu du voyant (K).

**REMARQUE :** En remplissant le carter, l'huile circule très lentement dans la pompe. Si elle est versée trop rapidement, elle semblera déborder et le carter semblera plein alors qu'il ne l'est pas.

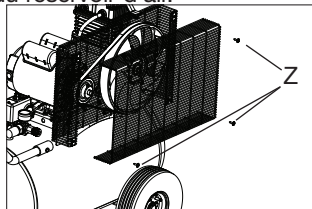
**AVIS :** Risque de dommages à la propriété. Un réservoir trop plein d'huile provoquera une défaillance prématurée du compresseur. Ne pas remplir plus que nécessaire.

- Replacer la jauge graduée/bouchon (I) du réservoir d'huile de la pompe et serrer solidement.

## Remplacement de la courroie (Fig. 1)

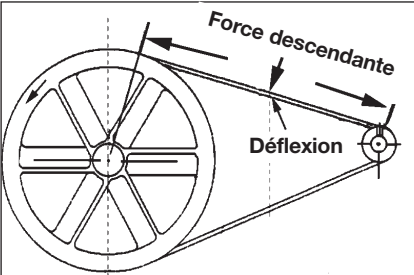
**⚠AVERTISSEMENT :** Cet appareil démarre de manière automatique. TOUJOURS éteindre et débrancher le compresseur et purger toute pression du système avant d'effectuer des réparations sur le compresseur, ainsi que lorsque le compresseur n'est pas utilisé. Ne pas utiliser l'appareil sans ses carénages et sa protection de courroie. Le contact avec des pièces en mouvement peut causer de graves blessures. Surfaces chaudes. Risque de brûlure. La tête de pompe et les pièces contiguës sont très chaudes – ne pas les toucher (consulter la rubrique Surfaces chaudes de la figure 2). Laisser refroidir le compresseur avant d'effectuer des réparations sur l'appareil.

- Placez le levier Auto/Off à la position « Off », débranchez l'unité et libérez tout l'air pressurisé du réservoir d'air.
- Retirez le garde-courroie extérieur (Z).
- Marquez la position de la moter sur la selle.
- Desserrez les vis de fixation du moteur et glissez-le vers la pompe du compresseur d'air.



- Enlevez la courroie et remplacez-la par une courroie neuve.
- Voir **Réglage de la tension de la courroie** avant de serrer les pièces de fixation du moteur.

## Réglage la tension de la courroie

- Glissez le moteur à la position originale et alignez-le avec la marque que vous avez faite auparavant sur la selle.
 
- Serrez les deux vis de fixation externes du moteur juste assez pour maintenir le moteur en place et pour permettre la vérification de l'alignement de la poulie et du volant.
- La courroie devrait avoir une déflexion de 6,5 mm (1/4 po) au milieu, entre la poulie et le volant, quand un poids de 4,5 kg (10 lb) est appliqué au point de mi-chemin.
- Lorsque la tension de la courroie est obtenue, serrez les vis de montage du moteur. Couple 27.1-33.9 Nm (20-25 pi-lb)

**REMARQUE :** Une fois que la poulie du moteur a été déplacée de sa position d'origine réglée à l'usine, les rainures du volant et de la poulie doivent être alignées jusqu'à 1,6 mm (1/16 po) pour éviter une usure excessive de la courroie. Vérifiez l'alignement en exécutant la procédure suivant **d'alignement de la poulie et du volant-moteur**.

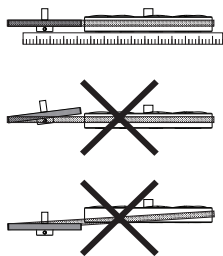
## Alignement de la poulie et du volant-moteur

**REMARQUE :** Une fois que la poulie du moteur a été déplacée de sa position d'origine réglée à l'usine, les rainures du volant et de la



poulie doivent être alignées jusqu'à 1,6 mm (1/16 po) pour éviter une usure excessive de la courroie.

Le volant du compresseur d'air et le moyeu de poulie du moteur doivent être alignés (dans le même plan) avec un écart de moins de 1,6 mm (1/16 po) pour assurer que la courroie reste dans les rainures pour courroie du volant. Pour corriger l'alignement, effectuez les étapes suivantes:



1. Réglez le levier auto/off en position "OFF (O)", débranchez l'appareil et relâchez toute la pression d'air du réservoir d'air.
  2. Retirez le garde-courroie extérieur.
  3. Desserrez les boulons de fixation du moteur.
  4. Desserrez les vis de réglage de la poulie du moteur.
  5. Alignez la poulie du moteur avec le volant-moteur de la pompe.
  6. Resserrez les vis de réglage de la poulie du moteur. Couple à 16.4-20.3 Nm. (145-180 in.-lbs).
  7. Ajustez la tension de la courroie.
  8. Resserrez les boulons de fixation du moteur. Couple à 27.1–33.9 Nm. (20-25 ft.-lbs).
  9. Réinstallez le garde-courroie extérieur.
- Toutes les pièces mobiles doivent être protégées.

## **Soupapes d'admission et d'échappement de la pompe du compresseur d'air**

Une fois par année, faites appel à un technicien qualifié pour vérifier les soupapes d'admission et d'échappement de la pompe du compresseur d'air.

### **Inspection des conduites d'air et des raccords pour des fuites**

1. Placez le levier Auto/Off à la position « Off », débranchez l'unité et libérez tout l'air pressurisé du réservoir d'air.
2. Appliquez une solution savonneuse à tous les raccords, connexions et tuyaux des conduites d'air.
3. Éliminez toutes les fuites trouvées.

**IMPORTANT:** Même des fuites mineures peuvent forcer le compresseur d'air à travailler trop fort, entraînant ainsi une panne prématurée ou un rendement médiocre.

### **Boulons de la tête du compresseur - serrage**

Les boulons de la tête du compresseur doivent être maintenus à un couple de serrage approprié. Vérifiez le couple de serrage des boulons après les cinq premières heures d'utilisation. Resserrez au besoin. Couple à 20.3-27.1 Nm (15-20 pi-lbs.).

### **Réparations et Réglages**

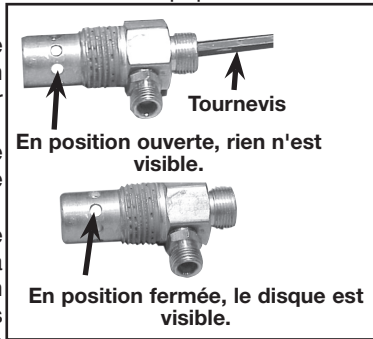
TOUT ENTRETIEN OU TOUTE RÉPARATION NONMENTIONNÉS ICI DOIVENT ÊTRE EFFECTUÉS PAR UN TECHNICIEN QUALIFIÉ.

**⚠️ AVERTISSEMENT :** Risque d'utilisation dangereuse. L'appareil commence automatiquement à fonctionner lorsqu'il est mis en marche. Lors de l'entretien, vous pourriez vous exposer à des sources de tension, d'air comprimé ou à des pièces en mouvement. Des blessures pourraient ainsi survenir. Avant de faire tout entretien

ou toute réparation, débranchez la source d'alimentation du compresseur et laissez s'échapper toute la pression d'air.

## Remplacement ou nettoyage de la soupape de retenue

1. Laissez s'échapper toute la pression du réservoir. Voir **Vidange du réservoir** dans la section *Entretien*.
2. Placez le levier Auto/Off à la position « Off », débranchez l'unité et libérez tout l'air pressurisé du réservoir d'air.
3. À l'aide d'une clé réglable, desserrez l'écrou du tube de sortie au niveau du réservoir d'air et de la pompe. Éloignez soigneusement le tube de sortie de la soupape de retenue.
4. À l'aide d'une clé réglable, desserrez l'écrou du tube de décharge de pression au niveau du réservoir d'air. Éloignez soigneusement le tube de décharge de pression de la soupape de retenue.
5. À l'aide d'une clé ouverte de 13/16 po, dévissez la soupape de retenue (en tournant dans le sens contraire des aiguilles d'une montre). Notez l'orientation pour l'assemblage plus tard.
6. À l'aide d'un tournevis, poussez doucement le disque de soupape vers le haut et vers le bas. **REMARQUE** : Le disque de soupape devrait se déplacer librement vers le haut et vers le bas sur un ressort qui retient le disque de soupape en position fermée. Si cela n'est pas le cas, la soupape de retenue doit être nettoyée ou remplacée.



7. Nettoyez ou remplacez la soupape de retenue. Utilisez un solvant, tel qu'un décapant de peinture ou de verni, pour nettoyer la soupape de retenue.
8. Réinstallez le clapet anti-retour (en tournant dans le sens des aiguilles d'une montre) dans l'orientation appropriée.
9. Remettez en place le tube de décharge de pression et serrez les écrous.
10. Remettez en place le tube de sortie et serrez les écrous.
11. Effectuez la procédure de rodage. Voir la partie intitulée **Procédures de rodage** de la section sur *l'utilisation*.

## Service d'entretien additionnel

Le démontage ou un entretien du compresseur d'air au-delà de ce qui est indiqué dans ce guide ne sont pas recommandés. Si un entretien plus poussé est requis, communiquez avec le Centre de service sous garantie autorisé le plus proche.

## Accessoires

Les accessoires recommandés pour votre outil peuvent être achetés auprès du distributeur local ou d'un centre de réparation agréé. Si vous avez besoin d'assistance pour trouver un accessoire pour votre outil, veuillez composer le 1-888-895-4549 ou visiter notre site Web à [www.dewalt.com](http://www.dewalt.com).

**⚠ AVERTISSEMENT** : l'utilisation de tout autre accessoire non recommandé avec cet outil pourrait s'avérer dangereuse. Utiliser uniquement des accessoires de classement égal ou supérieur à celui de la compresseur d'air.

## Information sur les réparations

Veuillez recueillir les informations suivantes pour tous les appels au Service à la clientèle :

Numéro du modèle \_\_\_\_\_ Numéro de série \_\_\_\_\_  
Date et lieu de l'achat \_\_\_\_\_

## Réparations

Pour assurer la SÉCURITÉ et la FIABILITÉ du produit, les réparations, l'entretien et les réglages doivent être réalisés par un centre de réparation en usine DEWALT, un centre de réparation agréé DEWALT ou par d'autres techniciens qualifiés. Toujours utiliser des pièces de rechange identiques.

## Garantie limitée

**Les outils industriels DEWALT** sont garantis à partir de la date d'achat.

Garantie limitée de **DEUX (2) ANS** sur tous les compresseurs lubrifiés à l'huile

Garantie limitée **d'UN (1) AN** sur tous les compresseurs sans huile

DEWALT réparera ou remplacera, à ses frais, à la discrétion de DEWALT, tout défaut pour vice de matière ou de fabrication. Pour toute information complémentaire relative à la couverture de la garantie et aux réparations prises en charge par celle-ci, veuillez appeler le 1-(888)-895-4549 ou vous rendre sur le site dewalt.com. Cette garantie ne s'applique pas aux accessoires, ou à tout dommage causé par des réparations effectuées ou tentées par un tiers. Cette garantie ne s'applique pas aux marchandises vendues par DEWALT qui ont été fabriquées par une autre compagnie, et identifiées comme telles, comme l'essence pour les moteurs. La garantie de son fabricant, si existante, sera alors applicable. **TOUT DOMMAGE, PERTE OU DÉPENSE ACCESSOIRE, INDIRECT OU IMMATÉRIEL POUVANT RÉSULTER DE TOUT DÉFAUT, DÉFAILLANCE OU DYSFONCTIONNEMENT DU PRODUIT N'EST PAS COUVERT PAR CETTE GARANTIE.** Certains états

n'autorisent aucune exclusion ou limitation de garantie contre tout préjudice accessoire ou indirect, aussi il se peut que la limitation ou l'exclusion susdite ne vous soit pas applicable. **TOUTE GARANTIE IMPLICITE, Y COMPRIS DE QUALITÉ MARCHANDE OU D'ADÉQUATION DANS UN BUT PARTICULIER, EST LIMITÉE À UN AN À COMPTER DE LA DATE D'ACHAT.**

Certains états n'autorisent aucune limitation quant à la durée de toute garantie implicite, aussi il se peut que l'exclusion susdite ne vous soit pas applicable. Cette garantie confère des droits légaux particuliers à l'acheteur, mais celui-ci pourrait aussi bénéficier d'autres droits variant d'un territoire à l'autre.

**Ce à quoi la Société s'engage :** (la société) s'engage à couvrir les pièces et la main-d'œuvre requises afin de remédier aux défauts importants constatés dans les matériaux ou dans la main-d'œuvre au cours de la première année suivant l'acquisition, sous réserve de ce qui suit. Les pièces utilisées pour la réparation des unités complètes ou des accessoires sont garanties pendant ce qui reste de la période de garantie initiale.

**Qu'est-ce qui n'est pas couvert par cette garantie?** L'incapacité de l'acheteur au détail initial d'installer, d'entretenir et d'exploiter cet équipement conformément aux pratiques industrielles normales. Les modifications apportées au produit ou le bricolage effectué sur ses composants, ou le manquement à se conformer aux recommandations spécifiques de la Société énoncées dans le manuel de l'utilisateur, rendront cette garantie nulle et non avenue. La Société rejette toute responsabilité pour les réparations, remplacements ou ajustements à l'équipement ou pour tous coûts liés au travail effectués sur l'équipement par l'acheteur sans l'autorisation préalable écrite de la Société. Les effets de la corrosion, de l'érosion,

des conditions environnementales ambiantes, des défauts de nature superficielle et les matériaux requis pour la maintenance de routine sont expressément exclus de cette garantie. Les matériaux requis pour la maintenance de routine tels que l'huile, les lubrifiants et les filtres à air, ainsi que les changements d'huile, de filtres à air, de tension de courroie, etc. font partie de la responsabilité de l'utilisateur. Parmi les exclusions supplémentaires, il faut ajouter les dommages liés au transport, les défaillances liées à la négligence, aux accidents ou à une mauvaise utilisation, les moteurs à induction alimentés par un alternateur, les fuites d'huile, les fuites d'air, la consommation d'huile, les raccords qui fuient, les boyaux, les robinets d'évacuation d'air, les soupapes de purge et les tuyaux de transfert.

- Les composants suivants sont considérés comme des équipements sujets à usure normale et ne sont donc couverts que pendant un an après leur vente : courroies, poulies, volants, clapets de non-retour, manostats, déchargeurs à air, manettes d'accélération, moteurs électriques, balais, régulateurs, joints toriques, manomètres, tubes, conduits, raccords, attaches, roues, porte-outils à attache rapide, garnitures, joints d'étanchéité, logements de filtre à air, segments de piston, biellettes de liaison et joints de piston.
- Les charges de main-d'œuvre, d'appels de service et de déplacements ne sont pas couvertes au-delà de la première année suivant l'acquisition pour les compresseurs fixes (compresseurs sans poignées et sans roues). Les réparations nécessitant des heures supplémentaires, des taux et tarifs de fin de semaine ou toute autre charge excédant le tarif standard de travail en atelier ne sont pas couvertes.

- Temps requis pour la formation d'orientation afin de permettre au centre de service d'obtenir accès au produit, ou du temps supplémentaire pour cause de sortie inadéquate.
- Les dommages causés par une tension incorrecte, un câblage inapproprié ou l'installation du compresseur par quelqu'un d'autre qu'un électricien professionnel agréé rendront la garantie nulle et non avenue.
- Les dommages causés par un entretien inadéquat du filtre.
- L'usure de la pompe ou l'endommagement d'une valve causé par l'emploi d'un lubrifiant contre-indiqué.
- L'usure de la pompe ou un dommage causé par une contamination d'huile.
- L'usure de la pompe ou l'endommagement d'une valve causé par le non-respect des directives d'entretien correctes.
- L'utilisation sans huile ou avec un niveau d'huile insuffisant.
- Les moteurs à essence, si le produit est équipé d'un tel moteur : se reporter au manuel d'utilisation du moteur pour la couverture de la garantie spécifique du fabricant du moteur.

**Pièces achetées séparément :** la garantie pour les pièces achetées séparément, telles que les pompes, les moteurs, etc. s'applique comme suit :

À compter de la date d'achat

- |  |          |
|--|----------|
| • Toutes les pompes à un étage ou à deux étages  | 1 an     |
| • Moteurs électriques  | 90 jours |
| • Moteur/pompe universel(le)   | 30 jours |
| • Toute autre pièce  | 30 jours |
| • Aucune autorisation de retour ne sera accordée pour les composants électriques une fois qu'ils sont installés. |          |

**Comment obtenir du service?** Afin d'être admissible au service sous garantie, vous devez être l'acheteur original au détail, et de fournir une preuve d'achat de l'un des concessionnaires de la société, des distributeurs ou magasins de vente au détail. Compresseurs portatifs ou des pièces doivent être livrées, ou expédiés, au Centre de service agréé le plus proche. Tous les frais de transport et les frais associés de voyage doivent être pris en charge par le consommateur. S'il vous plaît appelez notre numéro sans frais 1-888-895-4549 pour une assistance.

**CETTE GARANTIE VOUS ACCORDE DES DROITS LÉGAUX SPÉCIFIQUES ET VOUS POUVEZ BÉNÉFICIER D'AUTRES DROITS EN FONCTION DE L'ÉTAT OÙ CELLE-CI S'APPLIQUE.**

LA SOCIÉTÉ N'OFFRE AUCUNE AUTRE GARANTIE NI REPRÉSENTATION DE QUELQUE SORTE QUE CE SOIT, EXPRESSE OU IMPLICITE, EXCEPTION FAITE DE LA PROPRIÉTÉ. TOUTES LES GARANTIES IMPLICITES, EN PARTICULIER TOUTE GARANTIE DE COMMERCIALISATION ET D'ADÉQUATION À UN USAGE PARTICULIER, SONT REJETÉES PAR LA PRÉSENTE. TOUTE RESPONSABILITÉ POUR DES DOMMAGES INDIRECTS ET CORRESPONDANT À L'UNE QUELCONQUE DES GARANTIES ET À L'ENSEMBLE DE CELLES-CI, À D'AUTRES CONTRATS, À LA NÉGLIGENCE OU À D'AUTRES DÉLITS CIVILS, EST EXCLUE CONFORMÉMENT AUX CLAUSES D'EXCLUSION DE LA LOI.

## REPLACEMENT GRATUIT DES ÉTIQUETTES

**D'AVERTISSEMENT** : si les étiquettes d'avertissement deviennent illisibles ou sont manquantes, composer le 1-888-895-4549 pour en obtenir le remplacement gratuit.



▲ WARNING	▲ ADVERTENCIA	▲ AVERTISSEMENT
<p>▲ TO REDUCE THE RISK OF INJURY, RECONSTRUCTIVE MAJOR BEFORE REPAIRING COMPRESSOR. DO NOT COVER THE SPRING.</p> <p>▲ RISK OF FIRE OR EXPLOSION. ALWAYS USE THE PROPER SPRING PLACES. FLUID LEAKS FROM COMPRESSOR AREA. THE SPRING ARE NOT TO BE COVERED. NEVER COVER COMPRESSOR. KEEP IT AWAY FROM SPARK AREA. DO NOT CRIMP AND OPERATE THE COMPRESSOR. ALWAYS COVER ELECTRICAL CORDS WHEN THE SPRING AREA. NEVER STRIKE WHEN SPRING. USE A NUMBER OF SIZES OF HOSE TO BE CONNECTED TO THE COMPRESSOR.</p> <p>▲ RISK OF PERSONAL INJURY. ALWAYS USE SAFETY GLASSES. NEVER COVER COMPRESSOR. DO NOT COVER THE SPRING. DO NOT USE COMPRESSOR FOR BREATHER OR SUBJECT AIR TO ANY RESPIRATOR. PROCEED TO 200 TO BE RECONNECTED TO THE HOSE.</p>	<p>▲ PARA REDUCIR EL RIESGO DE LESIONES, LEVANTE TODAS LAS PARTES DE PROTECCIÓN ANTES DE REPARAR EL COMPRESOR. NO CUBRA LAS BARRAS DE MUELLO.</p> <p>▲ RIESGO DE FUEGO O DE EXPLOSIÓN. SIEMPRE USAR LOS SITIOS CORRECTOS DE LAS BARRAS DE MUELLO. LAS FUGAS DE FLUIDO DE LA ZONA DEL COMPRESOR. LAS BARRAS DE MUELLO NO DEBEN CUBRIRSE. NUNCA CUBRA EL COMPRESOR. MANTÉNGALO A DISTANCIA DEL ÁREA DE LAS CHISPARAS. NO CRIMPES Y OPERES EL COMPRESOR. SIEMPRE CUBRE LOS CABLES ELÉCTRICOS CUANDO TRABAJES EN EL ÁREA DE LAS BARRAS DE MUELLO. NUNCA GOLPEES CUANDO TRABAJES EN EL ÁREA DE LAS BARRAS DE MUELLO. SIEMPRE USAR UN NÚMERO DE TUBOS PARA CONECTARLOS AL COMPRESOR.</p> <p>▲ RIESGO DE LESIONES PERSONALES. SIEMPRE USAR GAFAS DE PROTECCIÓN. NUNCA CUBRA EL COMPRESOR. NUNCA CUBRA LAS BARRAS DE MUELLO. NUNCA USE EL COMPRESOR PARA RESPIRATOR. PROCEDA AL PASO 200 PARA RECONECTAR AL TUBO.</p>	<p>▲ POUR RÉDUIRE LE RISQUE DE BLESSURES, LEVÉZ TOUS LES ÉLÉMENTS DE PROTECTION AVANT DE RÉPARER LE COMPRESOR. NE PAS COUVRIR LES BARRES DE MUELLO.</p> <p>▲ RISQUE D'INCENDIE OU D'EXPLOSION. TOUJOURS UTILISER LES ENDROITS CORRECTS DES BARRES DE MUELLO. LES FUGES DE LIQUIDE DE LA ZONE DU COMPRESOR. LES BARRES DE MUELLO NE DOIVENT PAS ÊTRE COUVERTES. NE JAMAIS COUVRIR LE COMPRESOR. GARDER LA DISTANCE DE L'ÉLÉMENT DE LA CHISPARA. NE PAS CRIMPER ET OPÉRER LE COMPRESOR. TOUJOURS COUVRIR LES CÂBLES ÉLECTRIQUES QUAND TRAVAILLEZ DANS LA ZONE DES BARRES DE MUELLO. NE PAS FRAPPER QUAND TRAVAILLEZ DANS LA ZONE DES BARRES DE MUELLO. TOUJOURS UTILISER UN NOMBRE DE TUYAUX POUR RACCORDER AU COMPRESOR.</p> <p>▲ RISQUE DE BLESSURES PERSONNELLES. TOUJOURS PORTER DES LUNETTES DE SÉCURITÉ. NUNCA CUBRA EL COMPRESOR. NUNCA CUBRA LAS BARRAS DE MUELLO. NUNCA USE EL COMPRESOR PARA RESPIRATOR. PROCEDA AL PASO 200 PARA RECONECTAR AL TUBO.</p>
▲ CAUTION	▲ ATENCION	▲ ATTENTION
<p>▲ RISK OF BURSTING. BEFORE STARTING THE COMPRESSOR, PULL THE BELT OF THE SPRING AND TO MAKE SURE THE BELT IS NOT LOOSE. MAKE SURE THE COMPRESSOR IS NOT PRESSURE IS LESS THAN 10 PSI. NEVER PRESSURE OF THE SPRING OR TOOL. A REGULATOR IS NOT SUPPLIED. USE ONLY APPROVED HOSE AND TOOL. DO NOT COVER BARRAS DE MUELLO. ALWAYS USE MEDIUM OR THICKER AIR TUBE TO REPAIR TANK.</p> <p>▲ RISK OF ELECTRICAL SHOCK. ALWAYS USE INSULATED TOOLS. NEVER TOUCH THE SPRING OR TOOL. A REGULATOR IS NOT SUPPLIED. USE ONLY APPROVED HOSE AND TOOL. DO NOT COVER BARRAS DE MUELLO. ALWAYS USE MEDIUM OR THICKER AIR TUBE TO REPAIR TANK.</p>	<p>▲ RIESGO DE ESTALLIDO. ANTES DE ARRANCAR EL COMPRESOR, PULE EL CINTURÓN DE LAS BARRAS DE MUELLO. VERIFICAR QUE EL CINTURÓN DE LAS BARRAS DE MUELLO ESTÉ BIEN AJUSTADO. VERIFICAR QUE LA PRESIÓN DE LA ZONA DEL COMPRESOR SEA MENOR A 10 PSI. NUNCA PRESIONE EN LA ZONA DEL COMPRESOR. NUNCA USE EL COMPRESOR PARA RESPIRATOR. USE SOLO TUBOS Y HERRAMIENTAS QUE SE RECOMIENDAN PARA LA ZONA DEL COMPRESOR. SIEMPRE USE UN TUBO DE AIRE MEDIANO O GROSERO PARA REPARAR EL TANQUE. NUNCA TOQUE LAS BARRAS DE MUELLO.</p> <p>▲ RIESGO DE CHOQUE ELÉCTRICO. SIEMPRE USE HERRAMIENTAS AISLADAS. NUNCA TOQUE LAS BARRAS DE MUELLO O LAS HERRAMIENTAS. NUNCA USE EL COMPRESOR PARA RESPIRATOR. USE SOLO TUBOS Y HERRAMIENTAS QUE SE RECOMIENDAN PARA LA ZONA DEL COMPRESOR. SIEMPRE USE UN TUBO DE AIRE MEDIANO O GROSERO PARA REPARAR EL TANQUE. NUNCA TOQUE LAS BARRAS DE MUELLO.</p>	<p>▲ RISQUE DE DÉTENTE. AVANT DE COMMENCER LE COMPRESSEUR, TIREZ LE CINTURON DES BARRAS DE MUELLO. VÉRIFIER QUE LE CINTURON DES BARRAS DE MUELLO EST BIEN AJUSTÉ. VÉRIFIER QUE LA PRESION DE LA ZONE DU COMPRESOR EST INFÉRIEUR À 10 PSI. NUNCA PRESSEZ DANS LA ZONE DU COMPRESOR. NUNCA COUVRIR LES BARRES DE MUELLO. NUNCA USE LE COMPRESOR POUR RESPIRATOR. USE SEULEMENT LES TUYAUX ET LES Outils RECOMMANDÉS POUR LA ZONE DU COMPRESOR. TOUJOURS USE UN TUYAU D'AIR MOYEN OU ÉPAIS POUR RÉPARER LE RÉSERVOIR.</p> <p>▲ RISQUE DE CHOC ÉLECTRIQUE. TOUJOURS USEZ DES Outils ISOLÉS. NUNCA TOUCHER LES BARRAS DE MUELLO OU LES Outils. NUNCA USE LE COMPRESOR POUR RESPIRATOR. USE SEULEMENT LES TUYAUX ET LES Outils RECOMMANDÉS POUR LA ZONE DU COMPRESOR. TOUJOURS USE UN TUYAU D'AIR MOYEN OU ÉPAIS POUR RÉPARER LE RÉSERVOIR.</p>

Français

## Guide de dépannage

Cette section énumère les défaillances les plus communes, leurs causes et les mesures correctives. L'opérateur ou le personnel d'entretien peut exécuter certaines mesures correctives, d'autres exigent l'assistance d'un technicien DEWALT qualifié ou du distributeur.

<b>Problème</b>	<b>Code</b>
Fuites d'air .....	1
Fuites d'air dans le réservoir d'air ou dans les soudures du réservoir d'air .....	2
Fuites d'air entre la tête et la plaque porte-soupapes .....	3
Fuites d'air à la soupape de sûreté .....	4
Le compresseur ne fournit pas la quantité d'air requise pour le fonctionnement d'accessoires .....	1, 5, 6, 7, 9, 10
<b>Admission d'air restreinte.</b> .....	9
Huile dans l'air évacué.....	9, 19, 31
Cliquetis.....	4, 10, 11, 12, 13, 14
<b>Usure excessive de la courroie</b> .....	10, 11, 14, 15
<b>Sifflement</b> .....	10
<b>Humidité présente dans le carter de la pompe</b> .....	1, 3, 8, 17, 18, 19, 20, 21, 22
Appel de courant excessif.....	14, 26, 27
Le compresseur ne démarre pas quand il fait froid.....	17, 34, 35
Le relevé de pression sur le manomètre réglementé chute, lorsqu'un accessoire est utilisé .....	23
Fuite d'air continuelle au bouton du régulateur .....	24
Le régulateur ne parvient pas à fermer la sortie d'air.....	24
<b>Pression du réservoir d'air ne se développe pas</b> .....	25
Le compresseur cale .....	28, 29, 30
Surchauffe .....	27, 32, 33

## Codes de dépannage

CODE	CAUSE POSSIBLE	POSSIBLE SOLUTION
1	Les raccords de tube ne sont pas assez serrés.	Serrer les raccords qui émettent un sifflement de fuite d'air. Contrôler les raccords avec une solution d'eau savonneuse. <b>NE SERREZ PAS TROP.</b>
2	Réservoir d'air défectueux.	Le réservoir d'air doit être remplacé. Ne pas réparer la fuite. <b>▲AVERTISSEMENT</b> : Risque d'éclatement. Ne pas percer le réservoir d'air, ni le souder ou le modifier de quelque manière qui soit. Ces interventions l'affaibliront. Le réservoir risque de rompre ou d'exploser.
3	Joint d'étanchéité fuyants.	Communiquer avec un centre de réparation en usine de DEWALT ou un centre de réparation agréé DEWALT.
4	Soupape de sûreté défectueuse.	Faites fonctionner la soupape manuellement en tirant sur la bague. Si la soupape fuit toujours, la remplacer.
5	Utilisation excessive prolongée de l'air.	Diminuer la quantité d'air utilisée.
6	Le compresseur ne dispose pas de la capacité adéquate pour l'utilisation d'accessoires.	Vérifier les exigences d'air de l'accessoire. Si elles sont supérieures au CFM ou à la pression fournie par le compresseur d'air, un compresseur de plus grande capacité est requis pour l'utilisation de l'accessoire.
7	Trou dans le boyau.	Vérifiez et remplacez-le au besoin.
8	L'appareil fonctionne dans des conditions humides ou fraîches.	Déplacer l'appareil dans un endroit sec bien aéré.
9	Filtre d'admission d'air obstrué.	Nettoyer ou remplacer le filtre d'admission d'air.
10	Courroie lâche.	Contrôler la tension de la courroie, consulter la rubrique <b>Réglage de la tension de la courroie</b> sous <i>Entretien</i> .

CODE	CAUSE POSSIBLE	POSSIBLE SOLUTION
11	Poulie lâche.	Serrer les vis de calage de la poulie à un couple de 16,4 à 20,3 Nm (145 à 180 po-lb).
12	Volant lâche.	Serrer la vis du volant à un couple de 17,6 à 21,7 Nm (13 à 16 pi-lb).
13	Accumulation de carbone dans la pompe.	Communiquer avec un centre de réparation en usine de DEWALT ou un centre de réparation agréé DEWALT.
14	La courroie est trop serrée.	Contrôler la tension de la courroie, consulter la rubrique Réglage de la tension de la courroie sous Entretien.
15	Mauvais alignement de la poulie.	Consulter la rubrique <b>Alignement de la poulie-moteur/volant</b> sous <i>Entretien</i> .
16	Huile de la pompe est faible.	Ajouter à la pompe un entièrement synthétique sans détergent pour compresseur d'air. Consulter la rubrique <b>Huile de la pompe du compresseur</b> sous <i>Entretien</i> .
17	Utilisation d'huile détergente dans la pompe.	Vidanger l'huile et recharger la pompe avec un entièrement synthétique sans détergent pour compresseur d'air.
18	Cycles de travail extrêmement léger.	Utiliser l'appareil pour des cycles de travail plus prolongés.
19	Segments de pistons endommagés ou usés.	Communiquer avec un centre de réparation en usine de DEWALT ou un centre de réparation agréé DEWALT.
20	Cylindre ou piston endommagé ou usé.	Communiquer avec un centre de réparation en usine de DEWALT ou un centre de réparation agréé DEWALT.
21	Fini du cylindre du compresseur est usé.	Communiquer avec un centre de réparation en usine de DEWALT ou un centre de réparation agréé DEWALT.



CODE	CAUSE POSSIBLE	POSSIBLE SOLUTION
22	Eau présente dans l'huile de la pompe.	Vidanger l'huile et recharger la pompe avec un entièrement synthétique sans détergent pour compresseur d'air.
23	Le régulateur n'est pas réglé correctement pour l'accessoire utilisé.	Il est normal que la pression chute lorsqu'un accessoire est utilisé, ajuster le régulateur comme indiqué sous Caractéristiques si la pression chute trop. <b>REMARQUE :</b> <i>Régler la pression réglée sous des conditions de travail avec l'utilisation de l'accessoire.</i>
24	Le régulateur est endommagé.	Le remplacer.
25	Régulateur ouvert.	Tournez le bouton du régulateur dans le sens antihoraire, jusqu'au butoir intégré.
26	Tension insuffisante/surcharge du moteur.	Vérifiez que l'alimentation est adéquate et que le compresseur est branché sur un circuit séparé. Vérifiez que le compresseur est branché sur son propre circuit. Si une rallonge est utilisée, essayez sans utiliser la rallonge. Si le compresseur est branché sur un circuit protégé par un fusible, utilisez uniquement des fusibles à retardement.
27	Passages d'air colmatés.	Inspectez et remplacez les tubes de transfert ou la soupape d'arrêt, selon les besoins.
28	Tension insuffisante vers le moteur.	Fournissez une puissance adéquate.
29	Soupape d'arrêt défectueuse.	Remplacez la soupape d'arrêt.
30	Grippage de la pompe.	Communiquer avec un centre de réparation en usine de DEWALT ou un centre de réparation agréé DEWALT.
31	Niveau d'huile trop élevé.	Ramenez au niveau correct. Consulter la rubrique <b>Huile de la pompe du compresseur</b> sous <i>Entretien</i> .

CODE	CAUSE POSSIBLE	POSSIBLE SOLUTION
32	Mauvaise aération.	Placez le compresseur dans un endroit frais, sec et bien aéré, à une distance de 30 cm (12 po.) du mur le plus proche.
33	Surfaces de refroidissement sales.	Nettoyez entièrement toutes les surfaces de refroidissement.
34	Trop de pression de refoulement dans le réservoir.	Ouvrez le robinet de purge quand vous mettez en marche le moteur.
35	Le compresseur est trop froid.	Placez le compresseur dans un endroit plus chaud.

## Glossaire

**CFM** : Pieds cubes par minute ; une unité de mesure de débit d'air.

**SCFM** : pied cube par minute (standard), une unité de mesure du soufflage.

**PSI** : livres par pouce carré, une unité de mesure de pression.

**Pression d'enclenchement** : Point de pression bas réglé en usine qui met en marche le moteur de la pompe pour remettre sous pression l'air dans le réservoir.

**Pression de déclenchement** : Point de pression haut réglé en usine qui arrête le moteur de la pompe et la hausse de pression dans le réservoir au-delà d'un certain niveau.

**Bien aéré** : Qualifie un endroit où les gaz d'échappement ou les vapeurs sont remplacés par de l'air frais.

**Circuit réservé** : Circuit électrique réservé exclusivement au compresseur d'air.

**ASME** : American Society of Mechanical Engineers (Société américaine des ingénieurs mécaniciens). Indique que les composants sont fabriqués, testés et examinés selon les normes définies par l'ASME.

## CSA : L'association canadienne de normes



Indique que les produits qui font avoir examinée cette inscription avoir été fabriquée, testée et aux normes qui sont fixées par CSA.

## L'association canadienne de normes (Etats-Unis)



Indique que les produits qui font avoir fabriqué cette inscription, testé et examiné aux normes qui sont fixées par CSA. Ces produits se conforment également à la norme 1450 d'cU.I..

**Code Californien** : l'appareil pourrait être conforme au code de la Californie 462 (I) (2)/(M) (2). L'étiquette de spécifications/modèle est apposée sur le côté du réservoir d'air des appareils qui sont conformes au code californien.

## Compresor de aire

- A. Filtro de entrada de aire de la bomba
- B. Interruptor ENCENDIDO [AUTO(-)] / Off (APAGADO(O))
- C. Manómetro del tanque de aire
- D. Manómetro regulado
- E. Regulador de presión
- F. Salida de aire
- G. Válvula de seguridad
- H. Válvula de drenaje del tanque de aire
- I. Varilla para medición del nivel de aceite de la bomba/Tapón de llenado de aceite
- J. Tapón de drenaje de aceite de la bomba
- K. Ventanilla del nivel de aceite de la bomba
- L. Conexión rápida

## Especificaciones de la bomba

2 Cilindros

Etapa sencilla

Lubricación con aceite

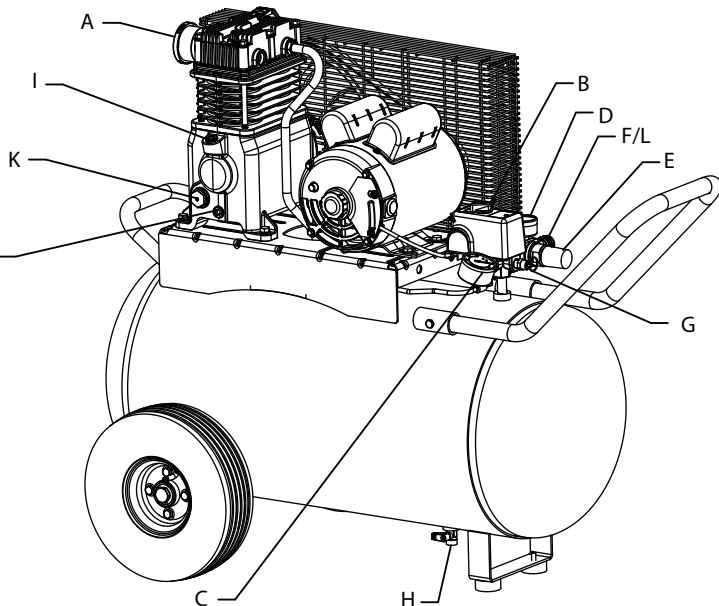
Cilindro de la caja del motor de hierro fundido y cabezal de aluminio

Peso: 12,2 kg (27,0 lbs)

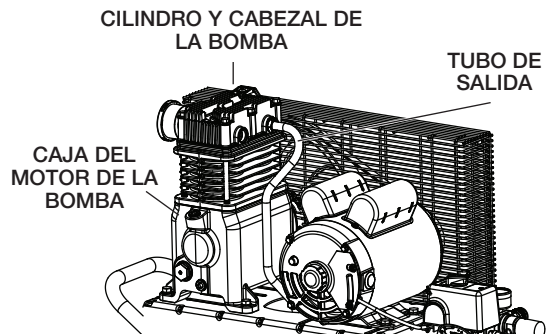
Capacidad de aceite: 473 mL

## Especificaciones

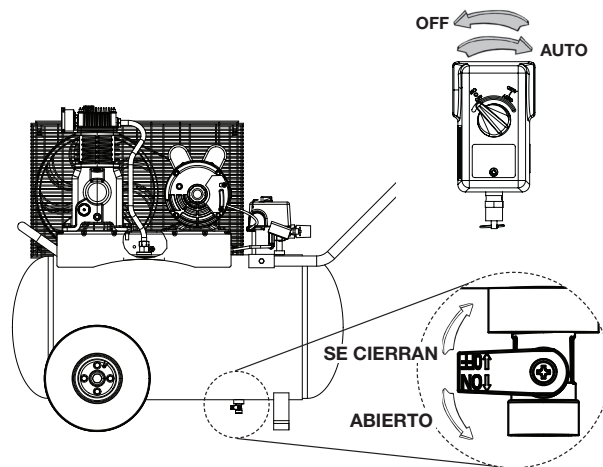
<b>MODELO</b>	<b>DXCM201</b>	<b>PRESIÓN DE PARADA APROXIMADAMENTE</b>	200 PSI
<b>PESO</b>	137 lb (62.1 kg)	<b>ENTREGA DE AIRE</b>	6.2 SCFM @ 90 PSI
<b>ALTURA</b>	32" (81.28 CM)	<b>TIEMPO DE LLENADO DEL TANQUE</b>	5.5 MINUTOS
<b>ANCHO</b>	22" (55.88 CM)	<b>ENTRADA DE CORRIENTE ELÉCTRICA</b>	120 V, 60 HZ, UNA SOLA FASE, SÓLO CA, 15 A
<b>LARGO</b>	33" (83.82 CM) SIN MANGO FRONTAL	<b>REQUERIMIENTO MÍNIMO DE CIRCUITO DERIVADO</b>	20 AMPS
<b>CAPACIDAD DEL TANQUE DE AIRE</b>	20 GAL (75.7 L)	<b>TIPO DE FUSIBLE</b>	TIEMPO DEFINIDO DE RETARDO



**Fig. 1 Superficies calientes**

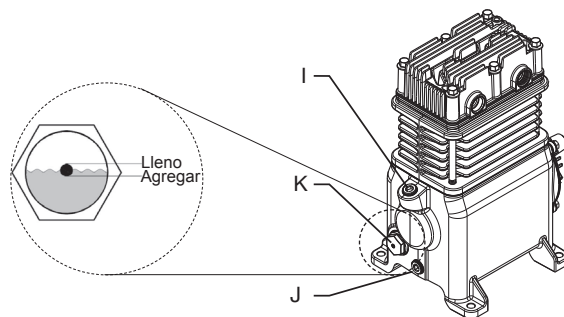


**Fig. 2**



**Fig. 3**

J = Tapón  
 K = Cristal de la vista del nivel de aceite  
 I = Tapon de llenado de aceite



## **Definiciones: Normas de seguridad**

Las siguientes definiciones describen el nivel de gravedad de cada advertencia. Lea el manual y preste atención a estos símbolos.

**▲ PELIGRO:** Indica una situación de peligro inminente que, si no se evita, **provocará la muerte o lesiones graves.**

**▲ ADVERTENCIA:** Indica una situación de peligro potencial que, si no se evita, **podría provocar la muerte o lesiones graves.**

**▲ ATENCIÓN:** Indica una situación de peligro potencial que, si no se evita, **puede provocar lesiones leves o moderadas.**

**AVISO:** Se refiere a una práctica no relacionada a lesiones corporales que de no evitarse **puede resultar en daños a la propiedad.**

SI TIENE ALGUNA PREGUNTA O ALGÚN COMENTARIO QUE HACER CON RESPECTO A ESTA O CUALQUIER OTRA HERRAMIENTA DEWALT, LLÁMENOS SIN CARGO AL: 1-888-895-4549

## **Instrucciones de seguridad importantes**

**▲ ADVERTENCIA:** No opere esta unidad hasta que haya leído y comprendido este manual de instrucciones de seguridad, operación y mantenimiento.

**ADVERTENCIA: CONTIENE PLOMO.** Puede ser dañino si se ingiere o se mastica. Puede generar polvo que contenga plomo. Lávese las manos después del uso. Mantener fuera del alcance de los niños.

**▲ ADVERTENCIA:** Este producto le podría exponer a productos químicos incluyendo plomo, reconocido por el Estado de California como causante de cáncer, defectos de nacimiento u otros daños del sistema reproductivo. Para obtener más información, visite [www.P65Warnings.ca.gov](http://www.P65Warnings.ca.gov).

## GUARDE ESTAS INSTRUCCIONES



### ⚠ PELIGRO: RIESGO DE EXPLOSIÓN O INCENDIO

#### ¿QUÉ PUEDE SUCEDER?

- Es normal que los contactos eléctricos dentro del motor y el interruptor de presión produzcan chispas.
- Si las chispas eléctricas del compresor entran en contacto con vapores inflamables, pueden encenderse, provocando un incendio o una explosión.
- Restringir cualquiera de las aberturas de ventilación del compresor puede producir un sobrecalentamiento grave y podría provocar un incendio.

#### CÓMO EVITARLO

- Opere siempre el compresor en un área bien ventilada libre de materiales combustibles, gasolina o vapores de solventes.
- Si se pulverizan materiales inflamables, ubique el compresor al menos a 6,1 m (20 pies) del área de pulverización. Se puede necesitar manguera adicional.
- Guarde los materiales inflamables en lugar seguro lejos del compresor.
- Nunca coloque objetos contra o sobre la bomba del compresor.
- Opere el compresor en un lugar abierto con una distancia de al menos 30,5 cm (12 pulg.) a cualquier pared u obstrucción que pudiera restringir el flujo de aire fresco a las aberturas de ventilación.
- Opere el compresor en un área limpia, seca y bien ventilada. No opere la unidad dentro de la casa o en un área muy cerrada.

- El funcionamiento sin atención de este producto podría provocar lesiones personales o daños a la propiedad. Para disminuir el riesgo de incendio, no permita que el compresor funcione sin que alguien lo controle.
- Permanezca siempre controlando el producto cuando está en funcionamiento.
- Siempre apague y desenchufe la unidad cuando no esté en uso.



### ⚠ PELIGRO: RIESGO RESPIRATORIO (ASFIXIA)

#### ¿QUÉ PUEDE SUCEDER?

- El aire comprimido que sale de su compresor no es seguro para respirarlo. El flujo de aire puede contener monóxido de carbono, vapores tóxicos o partículas sólidas del tanque de aire. Respirar estos contaminantes puede provocar lesiones graves o la muerte.

#### CÓMO EVITARLO

- El aire que se obtiene directamente del compresor no se debe usar nunca para consumo humano. El compresor no incluye equipo de seguridad en línea y filtros adecuados para consumo humano.

- La exposición a productos químicos en el polvo producido por las herramientas eléctricas al lijar, aserrar, esmerilar, taladrar y otras actividades de la construcción puede ser peligrosa.
- Los materiales pulverizados como pintura, solventes para pinturas, removedor de pintura, insecticidas y herbicidas pueden contener vapores dañinos y venenos.
- Trabaje en un área con buena ventilación cruzada. Lea y siga las instrucciones de seguridad que se proveen en la etiqueta o en la ficha técnica de los materiales que está utilizando. Siempre utilice equipamiento de seguridad certificado: protección respiratoria aprobada por NIOSH/OSHA o una mascarilla facial adecuada diseñada para usar para los fines que usted requiere.



### **▲PELIGRO: RIESGO DE EXPLOSIÓN**

Tanque de aire: El 26 de febrero de 2002, la Comisión de Seguridad para Productos de Consumo de los Estados Unidos publicó el Comunicado # 02-108 sobre la seguridad en los tanques de compresores de aire:

Los tanques receptores de los compresores de aire no tienen una vida útil infinita. La vida útil del tanque depende de diversos factores, incluyendo las condiciones de operación, las condiciones ambientales, la instalación debida del mismo, modificaciones realizadas en el campo y el nivel de mantenimiento que reciba. Es difícil prever cuál será el efecto exacto de estos factores sobre la vida útil del tanque receptor de aire.

Si no se siguen procedimientos de mantenimiento debidos, la corrosión interna de la pared interior del tanque receptor de aire puede causar una ruptura imprevista en el tanque de aire, lo que hará que el aire presurizado escape con fuerza y repentinamente, pudiendo lesionar al usuario.

El tanque de su compresor de aire debe ser dado de baja al final del año que aparece en la etiqueta de advertencia de su tanque.

Las siguientes condiciones pueden llevar a debilitar el tanque de aire y ocasionar la explosión violenta del mismo:

#### **¿QUÉ PUEDE SUCEDER?**

- Al no drenar correctamente el agua condensada del tanque de aire provocará óxido y adelgazamiento del tanque de aire en acero.

#### **CÓMO EVITARLO**

- Drene el tanque diariamente o luego de cada uso. Si un tanque de aire presenta una pérdida, reemplácelo inmediatamente con un tanque nuevo o reemplace todo el compresor.

- Modificaciones o intento de reparación del tanque de aire.
- Nunca perfore, suelde o haga ninguna modificación al tanque de aire o a sus elementos. Nunca intente reparar un tanque de aire dañado o con pérdidas. Reemplácelo con un tanque de aire nuevo.
- Las modificaciones no autorizadas de la válvula de seguridad o cualquier otro componente que controle la presión del tanque.
- El tanque está diseñado para soportar determinadas presiones de operación. Nunca haga ajustes o sustituciones de piezas para alterar las presiones de funcionamiento ajustadas en fábrica.

#### Elementos y accesorios:

- Exceder las indicaciones de presión para las herramientas neumáticas, las pistolas pulverizadoras, los accesorios neumáticos, los neumáticos y otros artículos inflables puede hacer que exploten o revienten, y puede provocar lesiones graves.
- Siga la recomendación del fabricante del equipo y nunca exceda el nivel máximo de presión aceptable para los elementos. Nunca utilice el compresor para inflar objetos pequeños de baja presión, tales como juguetes de niños, pelotas de fútbol o de basquetbol, etc.

#### Neumáticos:

- El inflado excesivo de los neumáticos podría causar lesiones graves y daño a la propiedad.
- Utilice un medidor de presión de neumáticos para controlar la presión de éstos antes de cada uso y mientras los infla; observe el flanco para ver la presión correcta del neumático.

**NOTA:** Los tanques de aire, los compresores y el equipo similar que se usa para inflar neumáticos pueden llenar neumáticos pequeños como éstos con mucha rapidez. Ajuste el regulador de presión en el suministro de aire a un valor que no supere el de la presión del neumático. Agregue aire en forma gradual y use con frecuencia el medidor de presión de neumáticos para evitar inflarlos.





**⚠ PELIGRO: RIESGO DE LESIÓN O DAÑO A LA PROPIEDAD AL TRANSPORTAR O ALMACENAR LA UNIDAD**

**¿QUÉ PUEDE SUCEDER?**

- Se puede producir una pérdida o derrame de aceite, lo que podría provocar peligro de incendio o inhalación, lesiones graves o la muerte. Los derrames de aceite dañarán alfombras, pintura u otras superficies de vehículos o remolques.

**CÓMO EVITARLO**

- Coloque siempre el compresor en un tapete protector cuando lo transporte, para proteger al vehículo de daños por pérdidas. Retire inmediatamente el compresor del vehículo una vez que haya llegado a destino. Mantenga siempre el compresor nivelado y nunca lo coloque de costado.



**⚠ ADVERTENCIA: RIESGO DE OBJETOS DESPEDIDOS**  
**¿QUÉ PUEDE SUCEDER? CÓMO EVITARLO**

- La corriente de aire comprimido puede provocar lesiones en los tejidos blandos de la piel expuesta y puede impulsar suciedad, astillas, partículas sueltas y objetos pequeños a gran velocidad, que pueden producir daños en la propiedad y lesiones personales.
- Utilice siempre equipo de seguridad certificado: anteojos de seguridad ANSI Z87.1(CAN/ CSA Z94.3) con protección lateral al usar el compresor.
- Nunca apunte ninguna boquilla ni pulverizador a ninguna parte del cuerpo o a otras personas o animales.
- Apague siempre el compresor y drene la presión de la manguera de aire y del tanque de aire antes de intentar hacer mantenimiento, conectar herramientas o accesorios.



### **⚠ADVERTENCIA: RIESGO DE SUPERFICIES CALIENTES**

#### **¿QUÉ PUEDE SUCEDER?**

- Tocar metal expuesto como el cabezal del compresor, el cabezal del motor, el escape del motor, o los tubos de salida puede provocar quemaduras graves.

#### **CÓMO EVITARLO**

- Nunca toque ninguna parte metálica expuesta del compresor durante o inmediatamente después de su funcionamiento. El compresor continuará caliente durante varios minutos después de su funcionamiento.
- No toque las cubiertas protectoras ni intente realizar mantenimiento hasta que la unidad se haya enfriado.



### **⚠ADVERTENCIA: RIESGO DE DESCARGA ELÉCTRICA**

#### **¿QUÉ PUEDE SUCEDER?**

- Su compresor de aire funciona con electricidad. Como cualquier otro mecanismo que funciona con electricidad, si no se lo utiliza correctamente puede provocar descargas eléctricas.

#### **CÓMO EVITARLO**

- Nunca haga funcionar el compresor al aire libre cuando está lloviendo o en condiciones de humedad.
- Nunca haga funcionar el compresor sin las cubiertas de protección o si están dañadas.

- Que personal no calificado intente realizar reparaciones puede provocar lesiones graves o muerte por electrocución.

- Cualquier cableado eléctrico o las reparaciones requeridas para este producto deben ser realizadas por un Centro de servicio de fábrica o un centro de mantenimiento autorizado de acuerdo con los códigos eléctricos nacionales y locales.

- Puesta a tierra: La no colocación de la puesta a tierra adecuada para este producto puede provocar lesiones graves o muerte por electrocución. Consulte las Instrucciones de Conexión a tierra en Instalación.

- Asegúrese de que el circuito eléctrico al que esté conectado el compresor, proporcione una conexión a tierra eléctrica apropiada, voltaje adecuado y protección conveniente.



### **⚠️ ADVERTENCIA: RIESGO DE OPERACIÓN INSEGURA**

#### **¿QUÉ PUEDE SUCEDER?**

- La operación insegura de su compresor de aire podría producir lesiones graves o la muerte, a usted mismo o a otras personas.

#### **CÓMO EVITARLO**

- Revise y comprenda todas las instrucciones y advertencias de este manual.
- Familiarícese con la operación y los controles del compresor de aire.
- Mantenga el área de operaciones libre de personas, mascotas y obstáculos.
- Mantenga a los niños alejados del compresor de aire en todo momento.
- No opere el producto cuando esté cansado o bajo la influencia de alcohol o drogas. Manténgase alerta en todo momento.
- Nunca anule las características de seguridad de este producto.
- Equipe el área de operaciones con un extintor de incendios.
- No opere la máquina si faltan piezas, si éstas están rotas o si no son las autorizadas.
- Nunca se pare sobre el compresor.



### **⚠️ ADVERTENCIA: RIESGO POR PIEZAS MÓVILES**

#### **¿QUÉ PUEDE SUCEDER?**

- Las piezas móviles como la polea, el volante y la correa pueden provocar lesiones graves si entran en contacto con usted o con sus ropas.
- Intentar hacer funcionar el compresor con partes dañadas o faltantes, o intentar reparar el compresor sin las cubiertas protectoras puede exponerlo a piezas móviles lo que puede provocar lesiones graves.

#### **CÓMO EVITARLO**

- Nunca haga funcionar el compresor sin los protectores o cubiertas o si los mismos están dañados.
- Mantenga el cabello, la ropa y los guantes alejados de las piezas en movimiento. Las ropas holgadas, las joyas o el cabello largo pueden quedar atrapados en las piezas móviles.
- Los orificios de ventilación pueden cubrir piezas en movimiento, por lo que también se deben evitar.
- Cualquier reparación requerida por este producto debe ser realizada por un centro de servicio de fábrica DEWALT o un centro de servicio autorizado DEWALT.



### **⚠ADVERTENCIA: RIESGO DE LESIÓN POR LEVANTAR MUCHO PESO**

#### **¿QUÉ PUEDE SUCEDER?**

- El intento de levantar un objeto muy pesado puede provocar lesiones graves.

#### **CÓMO EVITARLO**

- El compresor es demasiado pesado como para que lo levante una sola persona. Consiga ayuda de otras personas para levantarlo.



### **⚠ATENCIÓN: RIESGO POR RUIDOS**

#### **¿QUÉ PUEDE SUCEDER?**

- En determinadas condiciones y según el período de uso, el ruido provocado por este producto puede originar pérdida de audición.

#### **CÓMO EVITARLO**

- Utilice siempre equipo de seguridad certificado: protección auditiva ANSI S12.6 (S3.19).

## **SAVE THESE INSTRUCTIONS FOR FUTURE USE**

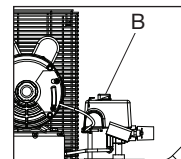
### **CONOZCA SU COMPRESOR DE AIRE**

LEA ESTE MANUAL DEL PROPIETARIO Y SUS NORMAS DE SEGURIDAD ANTES DE OPERAR LA UNIDAD. Compare las ilustraciones contra su unidad a fin de familiarizarse con la ubicación de los distintos controles y regulaciones. Conserve este manual para referencias futuras.

## **CARACTERÍSTICAS (Fig. 1)**

### **INTERRUPTOR DE AUTO (-) / APAGADO (O)**

Coloque este interruptor (B) en la posición Encendido (AUTO) (-) para suministrar energía automática al interruptor de presión y en Apagado (OFF) (O) para cortar la energía al final de cada uso.



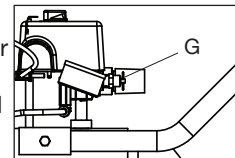
**NOTA:** SIEMPRE asegúrese de que el interruptor (B) esté en posición de apagado (OFF) (O) y de que la unidad esté desenchufada, antes de retirar o volver a colocar la tapa del interruptor de presión.

### **INTERRUPTOR DE PRESIÓN**

El interruptor de presión (no ilustrado) arranca automáticamente el motor cuando la presión del tanque de aire cae por debajo de la presión de arranque fijada en fábrica. Detiene el motor cuando la presión del tanque de aire alcanza la presión de corte fijada en fábrica.

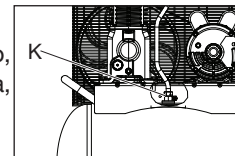
### **VÁLVULA DE SEGURIDAD**

Esta válvula (G) está diseñada para prevenir fallas del sistema aliviando la presión cuando el aire comprimido alcanza un nivel predeterminado. La válvula está calibrada desde fábrica y no se debe quitar ni modificar de ninguna forma.



### **VÁLVULA DE CONTROL**

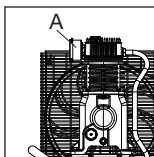
Cuando el compresor de aire está funcionando, la válvula de control (K) está abierta, permitiendo al aire comprimido entrar al tanque de aire. Cuando el compresor



de aire alcanza la presión de corte, la válvula de control se cierra, permitiendo que la presión de aire se conserve dentro del tanque de aire.

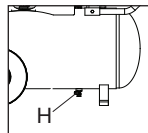
### FILTRO DE ENTRADA DE AIRE

El filtro (A) está diseñado para limpiar el aire que ingresa en la bomba. Para asegurar que la bomba reciba continuamente un suministro de aire limpio, fresco y seco, el filtro debe estar siempre limpio y la entrada del filtro libre de obstrucciones.



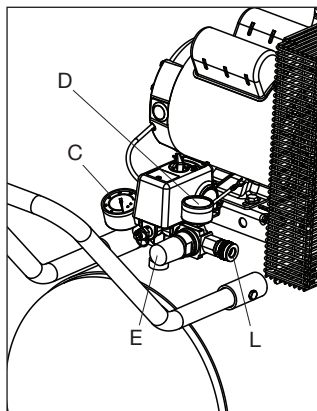
### VÁLVULA DE DRENAJE DEL TANQUE DE AIRE

La válvula de drenaje (H) está ubicada en la base del tanque de aire y se utiliza para drenar la condensación al terminar cada etapa de uso. Consulte **Drenar el tanque de aire** en la sección *Mantenimiento*.



### MANÓMETRO (MEDIDOR DE PRESIÓN) DE SALIDA

El manómetro (medidor de presión) de salida (D) indica la presión del aire disponible en la salida del regulador. Esta presión la controla el regulador. El regulador está diseñado para permitir presiones de hasta 150 PSI.



### MANÓMETRO (MEDIDOR DE PRESIÓN) DEL TANQUE

El manómetro (medidor de presión) del tanque (C) indica la presión de aire de reserva en el tanque.

### CONECTORES RÁPIDOS UNIVERSALES

El conector rápido universal (L) acepta los tres estilos más populares de enchufes de conexión rápida: Industrial, para automóviles y ARO. “Empujar para conectar” con una sola mano, esta operación hace que las conexiones sean más simples y fáciles.

### REGULADOR

La perilla del regulador (E) controla la presión de aire proveniente del tanque de aire.

Ajuste del regulador:

Gire la perilla en sentido de las agujas del reloj para aumentar la presión regulada y en sentido contrario a las agujas del reloj para disminuirla.

**▲ADVERTENCIA:** *Risque d'éclatement. Une pression d'air trop élevée conduit à un risque dangereux d'éclatement. Vérifiez la pression nominale maximum du fabricant pour tous les outils pneumatiques et accessoires utilisés. La pression de sortie du régulateur ne doit jamais excéder la pression nominale maximum.*

### BOMBA DE COMPRESIÓN DEL AIRE

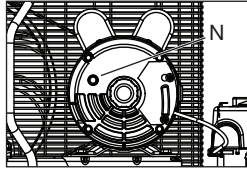
Comprime el aire dentro del tanque. El aire de trabajo no se encuentra disponible hasta que el compresor haya alcanzado a llenar el tanque hasta un nivel de presión por encima del requerido para la salida del aire.

### PROTECTOR DE SOBRECARGA DEL MOTOR:

El motor tiene un protector de sobrecarga térmica. Si el motor se recalienta por alguna razón, el protector de sobrecarga apagará

el motor. Se debe permitir que el motor se enfríe antes de volver a encenderlo. Para volver a encenderlo:

1. Coloque la palanca Auto/Off en la posición “Off” y desenchufe la unidad.
2. Espere que el motor se enfríe.
3. Presione el botón rojo del reajuste en el motor (N).
4. Enchufe el cable eléctrico en el receptáculo apropiado del circuito de derivación.
5. Coloque la palanca Auto/Off en la posición “Auto”.



## Instalación

### Ensamblaje

Desembale el compresor de aire. Inspeccione la unidad para verificar que no sufrió daños. Si la unidad ha sido dañada durante el transporte, comuníquese con la empresa transportadora y complete una reclamación por daños. Haga esto de inmediato porque existen limitaciones de tiempo respecto a las reclamaciones por daños.

La caja debe contener los elementos siguientes:

- compresor de aire
- modo de empleo
- mango
- hoja de instrucciones

Verifique el rótulo del número de serie del compresor para asegurarse de que haya recibido el modelo que pidió y que el mismo tenga la presión nominal requerida para el uso deseado.

## INSTALACIÓN DE LAS MANGUERAS

**⚠ADVERTENCIA:** *Riesgo de operación insegura. Sostenga la manguera firmemente con las manos al instalarla o desconectarla para evitar la desconexión repentina de la manguera.*

1. Asegúrese de que el manómetro regulado marque 0 PSI.
2. Tome el extremo de la conexión rápida de la manguera y empuje el extremo dentro del cuerpo de la conexión rápida (L). El acoplamiento se encajará en su lugar.
3. Tome la manguera y jálela para asegurarse que el acoplamiento esté sólidamente fijo.

## DESCONEXIÓN DE LAS MANGUERAS

**⚠ADVERTENCIA:** *Riesgo de operación insegura. Sostenga la manguera firmemente con las manos al instalarla o desconectarla para evitar la desconexión repentina de la manguera.*

1. Asegúrese de que el manómetro regulado marque 0 PSI.
2. Jale el acoplamiento sobre el cuerpo de la conexión rápida hacia detrás, para aflojar el extremo de la conexión rápida sobre la manguera.

## Lubricación y aceite

### COMPRESOR DE AIRE

La bomba del compresor de aire se llenó CON aceite en la fábrica. Controle el nivel de aceite de la bomba del compresor de aire antes de operar la unidad. Consulte **Aceite de la bomba del compresor** en la sección *Mantenimiento*.

### Compatibilidad

Las herramientas neumáticas y los accesorios que funcionan con el compresor deben ser compatibles con productos a base de petróleo. Si sospecha que un material no es compatible con pro-

ductos del petróleo se requiere un filtro de línea de aire que elimine la humedad y el vapor de aceite en el aire comprimido.

**NOTA:** Utilice siempre un filtro de línea de aire para eliminar la humedad y el vapor de aceite al pulverizar pintura.

## Lugar

- Instale el compresor de aire en una zona limpia, seca y bien ventilada.
- Instale el compresor de aire a una distancia no menor de 30,5 cm (12 pulg.) de la pared u otras obstrucciones que pudiesen interferir con el flujo del aire.
- Instale el compresor de aire lo más cerca posible del sitio de alimentación eléctrica, a fin de evitar el uso de largas extensiones de cableado eléctrico. Las extensiones eléctricas demasiado largas pueden causar una caída de tensión perjudicial para la alimentación del motor.
- El filtro de aire debe mantenerse libre de obstrucciones que pudiesen reducir el flujo del aire al compresor.

## ÁREAS HÚMEDAS

En áreas frecuentemente húmedas, se puede formar humedad en la bomba y sedimentos en el aceite, provocando que las piezas se desgasten en forma prematura. Es muy probable que se produzca humedad excesiva si la unidad se ubica en un área sin calefacción, sujeta a grandes cambios de temperatura. Dos signos de humedad excesiva son la condensación externa en la bomba cuando se enfría y un aspecto “lechoso” del aceite del compresor. Puede prevenir la formación de humedad en la bomba aumentando la ventilación u operando la unidad durante intervalos más largos.

## Cableado eléctrico

**⚠ADVERTENCIA:** *La instalación eléctrica indebida de este producto puede anular la garantía y su seguro contra incendios. El cableado de circuitos debe estar a cargo de personal calificado, como electricistas matriculados, que esté familiarizado con los códigos nacionales actuales y los códigos eléctricos locales en vigencia.*

**⚠ADVERTENCIA:** *Riesgo de choque eléctrico. Una conexión a tierra inadecuada puede ocasionar electrocución. Las conexiones eléctricas deben ser efectuadas por un electricista calificado.*

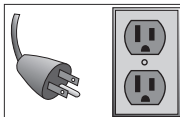
Para los requisitos de voltaje y amperaje de la unidad, refiérase a la etiqueta de serie del compresor de aire. Para obtener el mejor rendimiento y un arranque fiable, el compresor de aire debe conectarse a un circuito especializado, lo más cerca posible de la caja de fusibles o del disyuntor. El compresor utilizará toda la capacidad de un circuito doméstico típico de 15 amperios. Si otros aparatos eléctricos utilizan el circuito del compresor, éste puede fallar al arrancar. Una baja tensión o un circuito sobrecargado pueden provocar un arranque lento, provocando un disparo del sistema de protección contra sobrecargas del motor o del disyuntor, especialmente en condiciones de frío.

**NOTA:** Se recomienda el uso de un disyuntor. Si el compresor de aire está conectado a un circuito protegido por un fusible, utilice solamente fusibles de retardo.

**⚠ADVERTENCIA:** *Riesgo de choque eléctrico. La conexión eléctrica debe estar ubicada fuera de superficies calientes, tales como silenciadores de escape, tubos de salida de compresores de aire, cabezales o cilindros.*

## Instrucciones de conexión a tierra

1. Este producto debe estar conectado a tierra. En caso de un cortocircuito eléctrico, la conexión a tierra reduce el riesgo de descarga eléctrica al proporcionar un cable de escape para la corriente eléctrica. Este producto está equipado con un cable que tiene un cable de tierra, con un enchufe equipado con conexión a tierra. El enchufe debe estar conectado a un tomacorriente que esté instalado correctamente y conectado a tierra de acuerdo con todos los códigos y las ordenanzas locales.



**⚠ADVERTENCIA:** La instalación incorrecta del enchufe con conexión a tierra podría causar un riesgo de descarga eléctrica. Cuando sea necesario reparar o reemplazar el cable o el enchufe, no conecte el cable de tierra a ninguna de las clavijas planas. El cable con aislante que tiene una superficie exterior verde, con o sin tiras amarillas, es el cable de conexión a tierra.

2. Substituir la palabra "PELIGRO" por "ADVERTENCIA" no está prohibido cuando el riesgo relacionado con el producto es tal que existen situaciones que, de no evitarse, pueden causar la muerte o lesiones serias. Consulte a un electricista o reparador calificado cuando no entienda por completo las instrucciones de la conexión a tierra, o cuando tenga dudas acerca de si el producto está conectado a tierra correctamente. No modifique el enchufe provisto; si no encaja en el tomacorriente, haga que un electricista calificado instale el tomacorriente apropiado.
3. Este producto está diseñado para usarse en un circuito con voltaje nominal de 120 V y tiene un enchufe con conexión a tierra similar al que se ilustra en la figura. Conecte el producto exclusivamente en tomacorrientes que tengan la misma configuración que el enchufe. No use un adaptador con este producto.

**⚠PELIGRO:** Riesgo de descarga eléctrica. UNA PUESTA A TIERRA INCORRECTA PUEDE PROVOCAR UNA DESCARGA ELÉCTRICA.

- No modifique el enchufe provisto. Si no coincide con el tomacorriente disponible, un electricista calificado debe instalar un tomacorriente apropiado.
- Las reparaciones del cable o del enchufe deben ser realizadas por un electricista calificado.

## Cables prolongadores

Si – no obstante – debe utilizarse una extensión de cable, asegúrese de que:

- La extensión eléctrica de 3 conductores, tenga un enchufe de conexión a tierra de 3 hojas, y que exista un receptáculo que acepte el enchufe del producto.
- Esté en buenas condiciones.
- El enchufe no está desgastado
- No más largo que 15,2 m (50 pies).
- Calibre 12 (AWG) o mayor. (La medida de los cables se incrementa a medida que su número ordinal decrece. 10 y 8 AWG pueden ser usados también. NO USE 14 NI 16 AWG).

**AVISO:** El uso de cables de extensión eléctrica originará una caída de tensión, lo que determinará una pérdida de potencia del motor así como su recalentamiento. En lugar de utilizar un cable de extensión eléctrica, incremente el alcance de la manguera de aire dentro de la zona de trabajo, añadiéndole otro largo de manguera a su extremo. Conecte los largos adicionales de manguera de acuerdo a su necesidad. Use siempre una manguera de aire de un mínimo de 9,5 mm (3/8 pulg.) o mayor con una capacidad nominal de 300 PSI.



## Voltaje y protección del circuito

**⚠ATENCIÓN:** *Ciertos compresores de aire se pueden operar mediante un circuito de 15 A si se cumplen las siguientes condiciones.*

- *El suministro de voltaje al circuito debe cumplir con el Código de Electricidad Nacional.*
- *El circuito no se utiliza para cubrir ninguna otra necesidad de electricidad.*
- *Los cables prolongadores cumplen con las especificaciones.*
- *El circuito está equipado con un disyuntor de 15 A mínimo o un fusible de acción retardada de 15 A. **NOTA:** Si el compresor está conectado a un circuito protegido con fusibles, utilice únicamente fusibles de acción retardada.*

Si no se puede cumplir alguna de las condiciones indicadas anteriormente, o si el funcionamiento del compresor provoca repetidas interrupciones de energía, puede ser necesario hacerlo funcionar con un circuito de 20 A. No es necesario cambiar el cable.

## Cómo utilizar su unidad (Fig 2)

### Cómo detenerla

Coloque la posición de la llave interruptora Auto/Off en la posición "Off"

### Antes de ponerlo en marcha

**⚠ADVERTENCIA:** *No opere esta unidad hasta que haya leído este manual de instrucciones de seguridad, operación y mantenimiento.*

### Procedimiento de asentamiento

**AVISO:** *Riesgo de daño a la propiedad. Riesgo de daño a la propiedad. Si las siguientes instrucciones no fuesen seguidas estrictamente, podrán ocurrir serios daños.*

Este procedimiento es necesario **antes** de poner en servicio el compresor de aire y cuando la válvula reguladora o la bomba completa del compresor hayan sido reemplazadas.

1. Asegúrese que la palanca Auto/Off se encuentra en la posición "Off".
2. Verifique el nivel de aceite en la bomba. Para recibir instrucciones, lea al párrafo **Aceite** en la sección *Mantenimiento*
3. Enchufe el cable de alimentación en el tomacorriente del ramal del circuito correcto. (Referirse al párrafo **Protección del voltaje y del circuito** en la sección *Instalación* de este manual).
4. Abra la válvula de drenaje completamente para permitir que el aire se escape y para impedir que la presión de aire se acumule en el tanque de aire durante el procedimiento de asentamiento.
5. Mueva la palanca Auto/Off a la posición "Auto". El compresor se pondrá en marcha.
6. Haga funcionar el compresor durante 30 minutos. Asegúrese que la válvula de drenaje y todas las cañerías de aire estén abiertas para que se acumule un mínimo de presión de aire dentro del tanque.

**NOTA:** *Si después de 30 minutos la unidad no opera correctamente, APÁGUELA INMEDIATAMENTE y póngase en contacto con el Centro de Servicio.*

7. Aplicando una solución jabonosa, verifique todas las conexiones / cañerías, a fin de detectar fugas de aire. Corrija si fuese necesario. **NOTA:** Pérdidas menores pueden ocasionar una carga adicional de trabajo al compresor, dando como resultado su rotura prematura o un desempeño inadecuado.
8. Verifique la existencia de vibración excesiva.
9. Después de 30 minutos, coloque el que la palanca Auto/Off to "Off".

10. Cierre la válvula de drenaje.
11. Mueva el botón de Encendido/Apagado (Auto/Off) a la posición “Encendido” (AUTO) y permita que se acumule presión en el tanque. El motor se detendrá cuando la presión del tanque alcance la presión de corte.

Ahora el compresor está listo para usarse.

### **Antes de cada puesta en marcha (Fig. 2)**

1. Verifique diariamente la vista de vidrio, para asegurarse de que el nivel de aceite en la bomba esté al nivel requerido.
2. Asegúrese que la palanca Auto/Off se encuentra en la posición “Off”.
3. Cierre la válvula de drenaje.
4. Inspeccione visualmente las conexiones y cañerías de aire para ver si hay una fuga.
5. Verifique la sección válvula de seguridad. Consulte el punto **Cómo verificar la válvula de seguridad** en la sección *Mantenimiento*.
6. Gire la perilla del regulador hacia la antihorario para ajustar la presión de salida en cero .
7. Conecte la manguera y los accesorios.

**⚠ADVERTENCIA: Riesgo de operación insegura. Sostenga la manguera firmemente con las manos al instalarla o desconectarla para evitar la desconexión repentina de la manguera**

**⚠ADVERTENCIA: Riesgo de operación insegura. No utilice los accesorios dañados o usados.**

**NOTA:** Tanto la manguera como los accesorios requerirán un enchufe de conexión rápida si la salida del aire está equipada con un zócalo de conexión rápida.

**⚠ADVERTENCIA: Riesgo de explosión. Demasiada presión de aire podrá ser la causa de riesgo de explosión. Verifique los valores**

*de máxima presión dados por el fabricante de las herramientas neumáticas y los accesorios. La presión de salida del regulador jamás debe exceder los valores de máxima presión especificados.*

**⚠ATENCIÓN: Riesgo de operación insegura. El aire comprimido de la unidad puede contener condensación de agua y emanación de aceite. No pulverice aire no filtrado sobre un artículo que podría dañarse con la humedad. Algunos dispositivos o herramientas neumáticas pueden requerir aire filtrado. Lea las instrucciones del dispositivo o la herramienta neumática.**

### **Cómo poner en marcha**

1. Coloque la posición de la llave interruptora Auto/Off en la posición “Off” y deje que se incremente la presión del tanque. El motor se detendrá una vez alcanzado el valor de presión de “corte” del tanque.
2. Gire la perilla del regulador en sentido horario para aumentar la presión.

**AVISO:** al utilizar un regulador y otros accesorios, refiérase a las instrucciones del fabricante.

**⚠ADVERTENCIA: Risk of bursting. If any unusual noise or vibration is noticed, stop the compressor immediately and have it checked by a trained service technician.**

Ahora el compresor está listo para usarse.

### **Apagado (Fig. 2)**

1. Mueva el interruptor Encendido/Apagado (Auto/Off) (L) hacia la posición Apagado (OFF). **NOTA:** Si terminó de utilizar el compresor, siga los pasos 2 a 7.
2. Gire la perilla del regulador en sentido antihorario hasta que esté completamente cerrada. Asegúrese de que el manómetro regulado marque 0 PSI.
3. Retire la manguera y los accesorios.

**⚠ADVERTENCIA: Riesgo de operación insegura. Sostenga la manguera firmemente con las manos al instalarla o desconectarla**

para evitar la desconexión repentina de la manguera.

4. Drene el tanque de aire, consulte Drenar el tanque de aire en la sección Mantenimiento. Asegúrese de que el manómetro regulado marque 0 PSI.

**⚠ADVERTENCIA:** Riesgo de explosión. Drene el tanque de aire diariamente. El agua se condensará en el tanque de aire. Si no se drena, el agua corroerá y debilitará al tanque de aire provocando el riesgo de rotura del mismo.

5. Deje enfriar el compresor.
6. Limpie el compresor de aire y guárdelo en un área segura, que no se congele.
7. Desconecte el compresor y enrolle el cable de alimentación, sin apretarlo, alrededor de la manija.

**⚠ADVERTENCIA:** *Riesgo de operación Insegura. La unidad arranca automáticamente cuando está enchufada. Al hacer el mantenimiento, el operador puede quedar expuesto a fuentes de corriente y de aire comprimido o a piezas móviles. Antes de intentar hacer reparaciones, desconectar el compresor del tomacorriente, drenar la presión de aire del tanque y esperar a que el compresor se enfríe.*

Para asegurar una operación eficiente y una vida útil más prolongada del compresor de aire, debe prepararse y seguirse un programa de mantenimiento rutinario. El programa de mantenimiento rutinario precedente está diseñado para un equipo que funciona diariamente en un ambiente normal de trabajo. Si fuese necesario, debe modificarse el programa para adaptarlo a las condiciones bajo las cuales se usa su compresor. Las modificaciones dependerán de las horas de operación y del ambiente de trabajo. Los compresores que funcionan en un ambiente sumamente sucio y/u hostil requerirán que hagan todas las inspecciones de mantenimiento con mayor frecuencia.

**NOTA:** Vea en la sección *Operación* para la ubicación de los controles.

## MANTENIMIENTO

### Tabla de mantenimiento

Procedimiento	Diariamente	Semanalmente	Mensualmente	1 vez al año o cada 100 horas	Remítase a la etiqueta de advertencia del tanque
Controlar la válvula de seguridad	X				
Inspeccionar el filtro de aire		X <sup>+</sup>			
Drenar el tanque de aire	X				
Controlar el nivel de aceite de la bomba	X				
Cambiar el aceite de la bomba				X <sup>+++</sup>	
Inspeccionar si hay pérdidas de aceite	X				
Inspeccionar la correa impulsora	X				
Controlar la tensión de la correa impulsora			X		
Controlar la alineación de la polea y el volante				X	
Controlar ruidos o vibraciones inusuales	X				
Verificar si hay pérdidas de aire	X <sup>*</sup>				
Limpia el exterior del compresor		X			
El tanque debe ser dado de baja					X <sup>++</sup>
* Para verificar si hay pérdidas de aire aplique una solución de agua jabonosa alrededor de las juntas. Mientras el compresor bombea para generar presión y luego de que la presión se corte, vea si se forman burbujas de aire.					
** El aceite de la bomba se debe cambiar luego de las primeras 20 horas de funcionamiento. De allí en adelante, cuando utilice para aceite compresores de sintético completo sin detergentes aceite para, cambie el aceite cada 100 horas de funcionamiento o una vez al año, lo que ocurra primero.					
+ Más frecuente en lugares con humedad o polvo					
++ Para mayor información, llame al 1-888-895-4549.					

## Controlar la válvula de seguridad (Fig. 1)

**⚠ADVERTENCIA:** Superficies calientes. Riesgo de quemaduras. El posenfriador, el cabezal de la bomba y las piezas circundantes están muy calientes, no los toque (vea las Superficies calientes identificadas en la Fig. 2). Espere hasta que el compresor se enfríe antes de realizar el mantenimiento.

**⚠ADVERTENCIA:** Riesgo de explosión. Si la válvula de seguridad no trabaja correctamente, puede haber sobrepresurización, provocando la rotura del tanque de aire o una explosión.

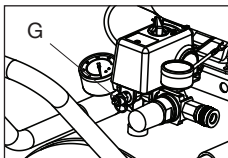
**⚠ADVERTENCIA:** Riesgo de objetos despedidos. Utilice siempre equipo de seguridad certificado: anteojos de seguridad ANSI Z87.1 (CAN/CSA Z94.3) con protección lateral.

**⚠ADVERTENCIA:** Utilice siempre equipo de seguridad certificado: protección auditiva ANSI S12.6 (S3.19). Antes de arrancar el compresor, tire del anillo de la válvula de seguridad para asegurarse de que la válvula de seguridad trabaja libremente. Si la válvula está atascada o no opera con facilidad, se la debe reemplazar con el mismo tipo de válvula.

## FILTRO DE AIRE - INSPECCIÓN Y REEMPLAZO

**⚠ADVERTENCIA:** Riesgo de quemaduras. Superficies calientes. El cabezal de la bomba y las piezas circundantes están muy calientes, no los toque (vea las Superficies calientes identificadas en la Fig. 1). Espere hasta que el compresor se enfríe antes de realizar el mantenimiento.

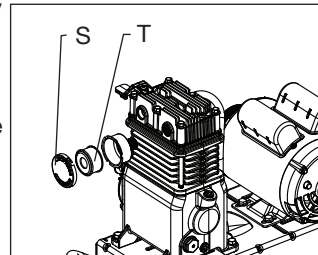
Un filtro de aire sucio no permitirá que la bomba compresora funcione correctamente



a su capacidad plena. Antes de utilizar la bomba compresora, verifique el filtro de aire para asegurarse de que se encuentre limpio y en su sitio.

Si se encontrase sucio, sustitúyalo por un filtro nuevo.

1. Mueva el interruptor Encendido/Apagado (Auto/Off) (L) hacia la posición Apagado (OFF).
2. Deje que se enfríe la unidad.
3. Desenganche la tapa del filtro de aire para quitarla. (S)
4. Verifique los elementos filtrantes (T). Si están sucios, sople aire comprimido a través del elemento filtrante durante 10-15 segundos o reemplácelo, si es necesario. Si el filtro está lleno de pintura, reemplácelo.
5. Coloque el elemento en la caja y vuelva a colocar la tapa del filtro de aire.



**IMPORTANTE:** No opere el compresor sin su filtro de aire.

## CÓMO DRENAR EL TANQUE (Fig. 2)

**⚠ADVERTENCIA:** Riesgo de operación insegura. Los tanques de aire contienen aire de alta presión. Mantenga la cara y otras partes del cuerpo lejos de la salida del drenaje. Utilice anteojos de seguridad [ANSI Z87.1 (CAN/CSA Z94.3)], ya que al drenar se pueden desprender residuos hacia la cara.

**⚠ADVERTENCIA:** Riesgo por ruidos. Utilice protección auditiva [ANSI S12.6(S3.19)], ya que el ruido del flujo de aire es alto durante el drenaje.

**NOTA:** Todos los sistemas de aire comprimido generan condensación que se acumula en cualquier punto de drenaje (por ejemplo, tanques, filtro, posenfriadores, secadores). Esta condensación contiene aceite lubricante y/o sustancias que pueden estar reguladas y que se deben desechar conforme a las leyes y reglamentaciones locales, estatales y federales.

1. Coloque la palanca Auto/Off en la posición “Off” y desenchufe el equipo.
2. Gire la perilla del regulador hacia la antihorario para ajustar la presión de salida en cero .
3. Remueva la herramienta neumática o el accesorio.
4. Tire del aro de la válvula de seguridad dejando purgar el aire del tanque hasta que este reduzca su presión aproximadamente a 20 PSI. Suelte el aro de la válvula de seguridad.
5. Drene el agua contenida en el tanque de aire, abriendo la válvula de drenaje ubicada en la base del tanque.

**⚠ADVERTENCIA:** Riesgo de explosión. El agua se condensa dentro del tanque de aire. Si no se la drena, lo corroerá debilitando sus paredes, poniendo en riesgo la ruptura del tanque de aire.

**AVISO:** Riesgo de daño a la propiedad. Drene el agua del tanque de aire puede contener aceite y óxido, lo que puede provocar manchas.

6. Una vez drenar el agua, cierre la válvula de drenaje. Ahora el compresor de aire podrá ser guardado.

**NOTA:** Si la válvula de drenaje fuera del tipo enchufe, elimine toda la presión de aire. La válvula podrá entonces ser extraída, limpiada y finalmente reinstalada.

## **Aceite de la bomba del compresor (Fig. 3)**

**AVISO:** Riesgo de daño a la propiedad. Sólo utilice aceite específico para compresores de aire. Los aceites para automóviles de diversos pesos como 10W30 no deben utilizarse para los compresores de aire. Dejan depósitos de carbono en componentes críticos, disminuyendo de esa forma el rendimiento y la vida útil del compresor life.

**NOTA:** Utilice aceite para compresores de aire de sintético completo sin detergentes.

**NOTA:** La capacidad de aceite del cárter del cigüeñal es de aproximadamente 16,0 onzas fluidas (473 ml).

### **Verificación**

**⚠ADVERTENCIA:** Drene el tanque a fin de liberar la presión de aire antes de extraer el tapón para el relleno de aceite, o el tapón para el drenaje del aceite.

1. El nivel de aceite deberá llegar a la mitad del visor de vidrio (K).
2. En caso de necesidad quite el tapón de llenado de aceite (I) y agregue lentamente aceite hasta alcanzar la mitad del visor de vidrio.

### **Cambio**

**⚠ADVERTENCIA:** Drene el tanque a fin de liberar la presión de aire antes de extraer el tapón para el relleno de aceite, o el tapón para el drenaje del aceite.

1. Extraiga el tapón del aceite (I).
2. Extraiga del tapón de drenaje del aceite (J) y drene el aceite en un recipiente adecuado.
3. Reponga el tapón de drenaje del aceite (J) y ajústelo firmemente.

- Agregue aceite lentamente al compresor hasta que el nivel alcance la mitad del visor de vidrio (K). **NOTA:** Al llenar el cárter del cigüeñal, el aceite fluye muy lentamente dentro de la bomba. Si el aceite fuese agregado rápidamente rebalsará y aparentará haberse llenado.

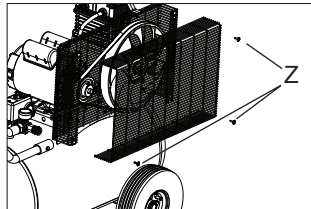
**AVISO:** Riesgo de daño a la propiedad. Sobrepasar el nivel de aceite causará la falla prematura del compresor. No exceda su llenado.

- Reponga el tapón del aceite (I) y ajústelo firmemente.

## Correa - Reemplazo

**⚠ADVERTENCIA:** Esta unidad se enciende automáticamente SIEMPRE apague y desenchufe el compresor, y purgue toda la presión del sistema antes de realizar el mantenimiento del compresor, y cuando el compresor no esté en uso. No utilice la unidad si se le han retirado las cubiertas o el protector de la correa. Existe riesgo de lesión grave por contacto con partes móviles. Superficies calientes. Riesgo de quemadura. El cabezal de la bomba y las piezas circundantes están muy calientes: no los toque. (Consulte las Superficies calientes identificadas en la Fig. 2). Espere hasta que el compresor se enfríe antes de realizar el mantenimiento.

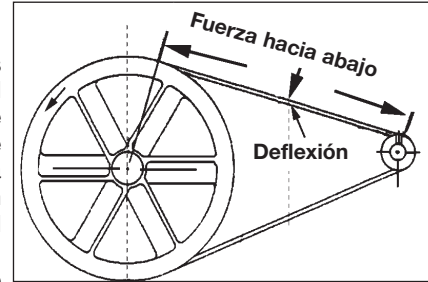
- Mueva la palanca Auto/Off a la posición "Off", desconectar el suministro eléctrico, y liberar toda presión de aire dentro del tanque.
- Quite el protector exterior de correa (Z).
- Marque la posición de la motor sobre el montante.



- Afloje los tornillos para montaje del motor y deslícelo hacia la bomba del compresor de aire.
- Retire la correa y reemplácela por una nueva.
- Vea **Regulación de la tensión de la correa** antes de ajustar los tornillos mo tates del motor.

## Regulación de la Tensión de la Correa

- Deslice el motor a su posición original; alinéelo con la marca efectuada antes sobre el montante.
- Ajuste los dos tornillos exteriores del motor, lo suficiente para sostener a éste en posición hasta verificar la alineación de la polea y el volante.
- La correa debe flexionarse 6,5 mm (1/4 pulg.) en el punto medio de la distancia entre la polea y el volante cuando en ese punto se aplique una fuerza de 4,5 Kg (10 libra).
- Cuando se logre la tensión apropiada de la correa, apriete los tornillos de montaje del motor. Par - 27.1-33.9 Nm (20-25 pies-lb)

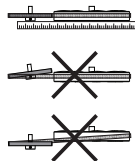


**NOTA:** Una vez que la polea del motor ha sido movida, a partir de su instalación original de fábrica, las ranuras del volante y la polea deben alinearse dentro un rango de variación de 1,6 mm (1/16 pulg.), para prevenir un excesivo desgaste de la correa. Verifique la alineación ejecutando el siguiente procedimiento de alineación polea-volante.

## Polea y volante – Alineación

**NOTA:** Una vez que la polea del motor ha sido movida, punto de su instalación original de fábrica, las ranuras del volante y la polea deben alinearse dentro un rango de variación de 1,6 mm (1/16 pulg.), para prevenir un excesivo desgaste de la correa.

La polea del motor y el volante del compresor de aire tienen que estar alineados (en el mismo plano) con tolerancia no mayor de 1/16" (1.6 mm) para asegurar que la correa quede retenida dentro de las ranuras correspondientes del volante. Para rectificar desalineación, proceder con los siguientes pasos:



1. Ponga la palanca de auto/off en "OFF (O)", desenchufe la unidad y libere toda la presión de aire del tanque de aire.
2. Retire la protección exterior de la correa.
3. Afloje los pernos de montaje del motor.
4. Afloje los tornillos de fijación de la polea del motor.
5. Alinee la polea del motor con el volante de la bomba.
6. Vuelva a apretar los tornillos de ajuste de la polea del motor. Torsión a 20.3-27.1 Nm (16.4-20.3 in.-lbs.).
7. Ajuste la tensión de la correa.
8. Vuelva a apretar los pernos de montaje del motor. Torsión a 27.1–33.9 Nm. (20-25 ft.-lbs).
9. Vuelva a instalar la protección exterior de la correa. Todas las partes móviles deben estar protegidas.

## Válvulas de entrada y salida de la bomba del compresor de aire

Una vez al año haga que un técnico capacitado de servicio inspeccione las válvulas de entrada y salida de la bomba del compresor de aire.

## Inspección de las cañerías de aire y las conexiones para detectar fugas

1. Mueva la palanca Auto/Off a la posición "Off", desconectar el suministro eléctrico, y liberar toda presión de aire dentro del tanque.
2. Aplique una solución jabonosa a todos los acoplamientos de aire y las conexiones / cañerías.
3. Corrija cualquier pérdida encontrada.

**IMPORTANTE:** Incluso pérdidas menores, pueden causar una carga adicional de trabajo al compresor, dando como resultado su rotura prematura o una desempeño inadecuada.

## Tornillos del cabezal del compresor de aire. - Torque

Los tornillos del cabezal del compresor de aire deben mantenerse debidamente ajustados. Verifique el torque de los tornillos del cabezal luego de las primeras cinco horas de operación. Reajústelos si fuese necesario. Torsión a 20.3-27.1 Nm (15-20 ft.-lbs.).

## SERVICIO Y AJUSTES

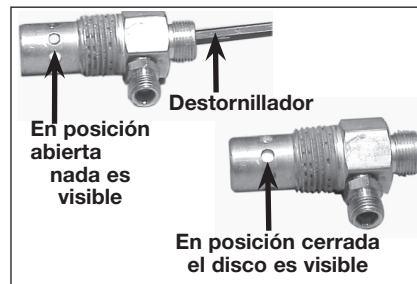
SERVICIO Y AJUSTE TODO TIPO DE MANTENIMIENTO Y REPARACIONES NO MENCIONADOS EN ESTE MANUAL, DEBERÁN SER EFECTUADOS POR PERSONAL TÉCNICO ESPECIALIZADO.

**⚠ADVERTENCIA:** Riesgo de Operación Insegura. La unidad arranca automáticamente cuando está enchufada. Al hacer el mantenimiento, el operador puede quedar expuesto a fuentes de corriente y de aire comprimido o a piezas móviles. Antes de intentar hacer reparaciones, desconectar el compresor del tomacorriente, drenar la presión de aire del tanque y esperar a que el compresor se enfríe.

### **Para reemplazar o limpiar la válvula de retención**

1. Libere toda la presión del tanque de aire. Vea **Cómo Drenar el Tanque** en la sección *Mantenimiento*.
2. Coloque la palanca Auto/Off en la posición "Off" y desenchufe el equipo.
3. Utilizando una llave regulable, afloje la tuerca del tubo de salida del tanque de aire y la bomba. Retire cuidadosamente la tubería de salida de la válvula de retención.
4. Utilizando una llave regulable, afloje la tuerca del tubo aliviador de presión en el tanque de aire. Retire cuidadosamente la tubería de alivio de presión de la válvula de retención.
5. Desenrosque la válvula de retención girándola hacia la izquierda usando una llave de boca de 13/16 pulg. **TOME NOTA** de la orientación para volverla a ensamblar.
6. Usando un destornillador, empuje con cuidado el disco de la válvula hacia arriba y hacia abajo. **NOTA:** El disco de la válvula debe moverse libremente hacia arriba y hacia abajo sobre un resorte que detiene el disco de la válvula en la posición cerrada. Si no lo hace, la válvula de retención necesita ser limpiada o reemplazada.
7. Limpie o reemplace la válvula de retención. Un solvente, tal como un removedor de pintura o de barniz puede usarse para limpiar la válvula de retención.

8. Aplique sellador a las roscas de la válvula de retención. Vuelva a instalar la válvula de retención (gire en el sentido del reloj) en la orientación apropiada.
9. Vuelva a instalar la tubería de alivio de presión. Ajuste las tuercas.
10. Vuelva a instalar la tubería de salida y ajuste las tuercas.
11. Ejecute el procedimiento de puesta en marcha. Vea **Procedimiento de Puesta en Marcha** en la sección *Operación*.



### **Service d'entretien additionnel**

Le démontage ou un entretien du compresseur d'air au-delà de ce qui est indiqué dans ce guide ne sont pas recommandés. Si un entretien plus poussé est requis, communiquez avec le Centre de service sous garantie autorisé le plus proche.

### **ACCESORIOS**

Los accesorios que se recomiendan para la herramienta están disponibles para la compra en su distribuidor local o en el centro de mantenimiento autorizado. Si necesita ayuda para localizar algún accesorio para su herramienta, comuníquese llame al 1-888-895-4549 o visite nuestro sitio Web [www.dewalt.com](http://www.dewalt.com).

**⚠ADVERTENCIA:** El uso de accesorios no recomendados para utilizar con esta herramienta puede resultar peligroso. Use solamente accesorios con una capacidad nominal igual o superior a la de la compresor de aire.



## Información del servicio técnico

Tenga a mano la siguiente información cuando llame al mantenimiento:

Número del modelo \_\_\_\_\_ Número de serie \_\_\_\_\_

Fecha y lugar de compra \_\_\_\_\_

## Reparaciones

Para garantizar la SEGURIDAD y la CONFIABILIDAD, deberán hacerse reparaciones, mantenimiento y ajustes de esta herramienta en los centros autorizados de servicio DEWALT u otras organizaciones autorizadas. Estas organizaciones prestan servicio a las herramientas DEWALT y emplean siempre refacciones legítimas DEWALT.

## Garantía limitada

Las herramientas de **DEWALT Industrial Tools** cuentan con **garantía desde la fecha de compra.**

Garantía limitada de **2 AÑOS** en todos los compresores con lubricación de aceite

Garantía limitada de **1 AÑO** en todos los compresores sin aceite

DEWALT reparará o cambiará, sin cargo, a discreción de DEWALT, cualquier defecto debido a material o mano de obra defectuosa. Para mayores detalles sobre la cobertura de garantía e información sobre reparaciones bajo garantía, llame al 1-(888)-895 4549 o visite [dewalt.com](http://dewalt.com). Esta garantía no es aplicable a accesorios o daños provocados por reparaciones realizadas o intentadas por terceros. Esta garantía tampoco aplica a mercancía vendida por DEWALT que ha sido fabricada por e identificada como el producto de otra compañía, como los motores a gasolina. En el caso, aplicará la garantía del

fabricante, si existe. **CUALQUIER PÉRDIDA, DAÑO O GASTO QUE RESULTE INCIDENTAL O INDIRECTAMENTE, O COMO CONSECUENCIA DE ALGÚN DEFECTO, ALGUNA FALLA O AVERÍA DEL PRODUCTO NO ESTÁ CUBIERTO POR ESTA GARANTÍA.** Algunos estados no permiten la exclusión de un límite por daños incidentales o derivados, por lo que el límite o la exclusión anterior puede no aplicar a su caso. **LAS GARANTÍAS IMPLÍCITAS, INCLUYENDO AQUELLAS DE COMERCIALIZACIÓN O ACONDICIONAMIENTO PARA UN FIN DETERMINADO, ESTÁN LIMITADAS A UN AÑO A CONTAR DE LA FECHA DE COMPRA ORIGINAL.** Algunos estados no permiten límites sobre el plazo de duración de una garantía implícita, por lo que el límite anterior puede no aplicar a su caso. Esta garantía le otorga derechos específicos, además de los cuales puede tener otros dependiendo del estado o provincia en que se encuentre.

**Qué hará la compañía:** (la compañía) cubrirá piezas y mano de obra para corregir defectos importantes en los materiales y en la fabricación durante el primer año de propiedad, con las excepciones que se indican más adelante. Las piezas que se utilizan en la reparación de productos completos o accesorios están garantizadas por el resto del periodo de garantía original.

**¿Qué no cubre esta garantía?** Si el comprador al menudeo original no instala, mantiene y opera dicho equipo de acuerdo con las prácticas industriales estándar. Las modificaciones al producto o alteraciones a los componentes, o el incumplimiento con las recomendaciones específicas de la Compañía que se establecen en el manual del propietario, anularán esta garantía. La Compañía no será responsable de reparaciones, reemplazos o ajustes al equipo, ni de costos de mano de obra realizada por el comprador sin la aprobación previa por escrito de la Compañía. Los efectos de la corrosión, erosión, condiciones ambientales

circundantes, defectos cosméticos y elementos de mantenimiento de rutina, se excluyen específicamente de esta garantía. Los elementos de mantenimiento de rutina, como aceite, lubricantes y filtros de aire, así como los cambios de aceite, filtros de aire, tensión de bandas, etc., son responsabilidad del propietario. Otras exclusiones incluyen: daños durante el flete, fallas originadas por negligencia, accidente o abuso, motores de inducción cuando es operado desde un generador, filtraciones de aceite, fugas de aire, consumo de aceite, acoples con fugas, mangueras, válvula de drenaje, tubos de purga y tubos de transferencia.

- Los siguientes componentes se consideran artículos de desgaste por el uso normal y no están cubiertos después del primer año de posesión: Correas, poleas, volantes, válvulas de retención, interruptores de presión, descargadores neumáticos, controles de aceleración, motores eléctricos, escobillas, reguladores, anillos en O, manómetros, tubos, tuberías, acoplamientos, sujetadores, ruedas, acopladores rápidos, empaquetaduras, sellos, carcasas de filtro de aire, anillos de pistón, varillas de conexión y sellos de pistón.
- Los costos de mano de obra, llamadas de servicio y viajes, no están cubiertos después del primer año de propiedad de los compresores estacionarios (compresores sin asas o ruedas). No están cubiertas las reparaciones que requieren horas extraordinarias, tarifas de fin de semana o cualquier otro costo que supere las tarifas por mano de obra estándar del taller.
- Tiempo requerido para la capacitación de orientación con el fin de que el centro de servicio obtenga acceso al producto, o tiempo adicional debido a un egreso inadecuado.

- El daño causado por voltaje incorrecto, cableado inapropiado o el hecho de no hacer que un electricista certificado con licencia instale el compresor, causará la anulación e invalidación de esta garantía.
- Daño causado por un mantenimiento inadecuado del filtro.
- Desgaste de la bomba o daño en la válvula causado por el uso de aceite no especificado.
- Desgaste de la bomba o daño causado por cualquier contaminación del aceite.
- Desgaste de la bomba o daño en la válvula causado por el hecho de no seguir las directrices de mantenimiento apropiadas.
- Utilización con un nivel de aceite por debajo del apropiado o utilización sin aceite.
- Para motores a gas, si el producto está equipado con un motor a gas, consulte en el manual la cobertura de garantía del fabricante para el motor específico. Piezas que se compran por separado: las garantías de las piezas que se compran por separado, como bombas, motores, etc., son las siguientes:

A partir de la fecha de compra

- |   |         |
|---|---------|
| • Todas las bombas de una y dos etapas  | 1 año   |
| • Motores eléctricos  | 90 días |
| • Bomba/motor universal   | 30 días |
| • Todas las otras piezas  | 30 días |
| • No se expedirá una autorización de devolución para los componentes eléctricos una vez que estén instalados. |         |

**¿Cómo puede obtener servicio?** Con el fin de ser elegible para el servicio bajo esta garantía debe ser el comprador original, y proporcionar comprobante de compra de uno de los distribuidores de la empresa, distribuidores, o las tiendas minoristas de salida. Compresores de aire portátiles o componentes deben ser entregados o enviados, al Centro de Servicio Autorizado más cercano. Todos los costos de flete y los gastos asociados a viajes deben ser pagados por el consumidor. Por favor llame a nuestro número gratuito 1-888-895-4549 para obtener ayuda. **ESTA GARANTÍA LE OTORGA DERECHOS LEGALES ESPECÍFICOS, Y ES POSIBLE QUE TAMBIÉN TENGA OTROS DERECHOS QUE VARIAN DE UN ESTADO A OTRO.**

LA COMPAÑÍA NO HACE REPRESENTACIÓN O GARANTÍA ALGUNA, YA SEA EXPRESA O IMPLÍCITA, A EXCEPCIÓN DE LA DEL TÍTULO DE PROPIEDAD. POR LA PRESENTE, LA COMPAÑÍA NO ASUME NINGUNA GARANTÍA IMPLÍCITA, INCLUIDAS LAS GARANTÍAS DE COMERCIABILIDAD Y DE IDONEIDAD PARA UN PROPÓSITO ESPECÍFICO. SE EXCLUYE TODA RESPONSABILIDAD POR DAÑOS Y PERJUICIOS EMERGENTES O INCIDENTALES EN VIRTUD DE CUALQUIER OTRA GARANTÍA, OTROS CONTRATOS, NEGLIGENCIA U OTROS ACTOS DE AGRAVIO EN LA MEDIDA EN QUE LA LEY LO PERMITA.

**REEMPLAZO GRATUITO DE LAS ETIQUETAS DE ADVERTENCIA:**

Si sus etiquetas de advertencia se tornan ilegibles o faltan, llame al 1-(888)-895-4549 para que se las reemplacen gratuitamente.



⚠️ WARNING	⚠️ ADVERTENCIA	⚠️ AVERTISSEMENT
<p>⚠️ TO REDUCE THE RISK OF INJURY, READ INSTRUCTIONS MANUALLY BEFORE OPERATING THE COMPRESSOR. DO NOT OPERATE THE COMPRESSOR IF YOU OR OPERATOR ARE UNDER THE INFLUENCE OF ALCOHOL, DRUGS, OR MEDICATIONS. ALWAYS WEAR PROTECTIVE EYEWEAR. ALWAYS WEAR YOUR SAFETY BELT WHEN OPERATING THE COMPRESSOR. ONLY USE THE ELECTRICAL CORD AS THE POWER SOURCE. ALWAYS WEAR YOUR SAFETY BELT WHEN OPERATING THE COMPRESSOR. ALWAYS WEAR YOUR SAFETY BELT WHEN OPERATING THE COMPRESSOR.</p>	<p>⚠️ PARA REDUCIR EL RIESGO DE LESIONES, LEA EL MODELO DE EMPLEO ANTES DE PROCEDER CON EL USO DEL COMPRESOR. NO OPERE EL COMPRESOR SI USTED O EL OPERADOR ESTÁN BAJO LOS EFECTOS DEL ALCOHOL, DROGAS O MEDICAMENTOS. SIEMPRE USE OJOS DE PROTECCIÓN. SIEMPRE USE SU CINTURÓN DE SEGURIDAD CUANDO OPERE EL COMPRESOR. ÚNICO USO PERMISIVO ES LA ALIMENTACIÓN CON CABLE ELÉCTRICO. SIEMPRE USE SU CINTURÓN DE SEGURIDAD CUANDO OPERE EL COMPRESOR. SIEMPRE USE SU CINTURÓN DE SEGURIDAD CUANDO OPERE EL COMPRESOR.</p>	<p>⚠️ AVERTISSEMENT À RISQUE DE BLESSURES, LIREZ LE MODE D'EMPLOI AVANT LA MISE EN SERVICE DU COMPRESOR. NE PAS OPERER LE COMPRESOR SI VOUS OU L'OPERATEUR ÊTES SOUS L'INFLUENCE D'ALCOHOL, DE MÉDICAMENTS, DE DROGUES, OU DE MÉDICAMENTS. TOUJOURS PORTER DES ÉQUPEMENTS DE PROTECTION. TOUJOURS PORTER VOTRE CEINTURE DE SÉCURITÉ QUAND VOUS OPÉREZ LE COMPRESOR. LE SEUL USAGE PERMIS EST LA ALIMENTATION PAR CÂBLE ÉLECTRIQUE. TOUJOURS PORTER VOTRE CEINTURE DE SÉCURITÉ QUAND VOUS OPÉREZ LE COMPRESOR. TOUJOURS PORTER VOTRE CEINTURE DE SÉCURITÉ QUAND VOUS OPÉREZ LE COMPRESOR.</p>
<p>⚠️ RISK OF PERSONAL INJURY. HIGH VOLTAGE SAFETY CLASS. ALWAYS WEAR PROTECTIVE EYEWEAR. ALWAYS WEAR YOUR SAFETY BELT WHEN OPERATING THE COMPRESSOR. ONLY USE THE ELECTRICAL CORD AS THE POWER SOURCE. ALWAYS WEAR YOUR SAFETY BELT WHEN OPERATING THE COMPRESSOR. ALWAYS WEAR YOUR SAFETY BELT WHEN OPERATING THE COMPRESSOR.</p>	<p>⚠️ RIESGO DE LESIONES. ALTA TENSIÓN DE SEGURIDAD. SIEMPRE USE OJOS DE PROTECCIÓN. SIEMPRE USE SU CINTURÓN DE SEGURIDAD CUANDO OPERE EL COMPRESOR. ÚNICO USO PERMISIVO ES LA ALIMENTACIÓN CON CABLE ELÉCTRICO. SIEMPRE USE SU CINTURÓN DE SEGURIDAD CUANDO OPERE EL COMPRESOR. SIEMPRE USE SU CINTURÓN DE SEGURIDAD CUANDO OPERE EL COMPRESOR.</p>	<p>⚠️ RISQUE DE BLESSURES. PORTER DES ÉQUPEMENTS DE PROTECTION. TOUJOURS PORTER VOTRE CEINTURE DE SÉCURITÉ QUAND VOUS OPÉREZ LE COMPRESOR. LE SEUL USAGE PERMIS EST LA ALIMENTATION PAR CÂBLE ÉLECTRIQUE. TOUJOURS PORTER VOTRE CEINTURE DE SÉCURITÉ QUAND VOUS OPÉREZ LE COMPRESOR. TOUJOURS PORTER VOTRE CEINTURE DE SÉCURITÉ QUAND VOUS OPÉREZ LE COMPRESOR.</p>
<p>⚠️ RISK OF BURSTING. BEFORE REMOVING THE COMPRESSOR, ALL THE AIR MUST BE RELEASED TO AVOID THE RISK OF BURSTING. ALWAYS WEAR YOUR SAFETY BELT WHEN OPERATING THE COMPRESSOR. ONLY USE THE ELECTRICAL CORD AS THE POWER SOURCE. ALWAYS WEAR YOUR SAFETY BELT WHEN OPERATING THE COMPRESSOR. ALWAYS WEAR YOUR SAFETY BELT WHEN OPERATING THE COMPRESSOR.</p>	<p>⚠️ RIESGO DE ESTALLIDO. ANTES DE QUITAR EL COMPRESOR, DEBE LIBERARSE TODA LA PRESIÓN DEL TANQUE PARA EVITAR EL RIESGO DE ESTALLIDO. SIEMPRE USE SU CINTURÓN DE SEGURIDAD CUANDO OPERE EL COMPRESOR. ÚNICO USO PERMISIVO ES LA ALIMENTACIÓN CON CABLE ELÉCTRICO. SIEMPRE USE SU CINTURÓN DE SEGURIDAD CUANDO OPERE EL COMPRESOR. SIEMPRE USE SU CINTURÓN DE SEGURIDAD CUANDO OPERE EL COMPRESOR.</p>	<p>⚠️ RISQUE D'ÉCLATÈMENT. AVANT DE DÉMONTÈR LE COMPRESOR, TOUTE LA PRESSION DOIT ÊTRE LIBÉRÉE POUR ÉVITER LE RISQUE D'ÉCLATÈMENT. TOUJOURS PORTER VOTRE CEINTURE DE SÉCURITÉ QUAND VOUS OPÉREZ LE COMPRESOR. LE SEUL USAGE PERMIS EST LA ALIMENTATION PAR CÂBLE ÉLECTRIQUE. TOUJOURS PORTER VOTRE CEINTURE DE SÉCURITÉ QUAND VOUS OPÉREZ LE COMPRESOR. TOUJOURS PORTER VOTRE CEINTURE DE SÉCURITÉ QUAND VOUS OPÉREZ LE COMPRESOR.</p>
<p>⚠️ RISK OF ELECTRIC SHOCK. ALWAYS UNPLUG THE CORD FROM THE WALL OUTLET BEFORE REMOVING THE CORD. DO NOT OPERATE THE COMPRESSOR IF YOU OR OPERATOR ARE UNDER THE INFLUENCE OF ALCOHOL, DRUGS, OR MEDICATIONS. ALWAYS WEAR PROTECTIVE EYEWEAR. ALWAYS WEAR YOUR SAFETY BELT WHEN OPERATING THE COMPRESSOR. ONLY USE THE ELECTRICAL CORD AS THE POWER SOURCE. ALWAYS WEAR YOUR SAFETY BELT WHEN OPERATING THE COMPRESSOR. ALWAYS WEAR YOUR SAFETY BELT WHEN OPERATING THE COMPRESSOR.</p>	<p>⚠️ RIESGO DE CHOQUE ELÉCTRICO. SIEMPRE DESCONECTE EL CABLE DE LA TENDIDA ANTES DE QUITAR EL CABLE. NO OPERE EL COMPRESOR SI USTED O EL OPERADOR ESTÁN BAJO LOS EFECTOS DEL ALCOHOL, DROGAS O MEDICAMENTOS. SIEMPRE USE OJOS DE PROTECCIÓN. SIEMPRE USE SU CINTURÓN DE SEGURIDAD CUANDO OPERE EL COMPRESOR. ÚNICO USO PERMISIVO ES LA ALIMENTACIÓN CON CABLE ELÉCTRICO. SIEMPRE USE SU CINTURÓN DE SEGURIDAD CUANDO OPERE EL COMPRESOR. SIEMPRE USE SU CINTURÓN DE SEGURIDAD CUANDO OPERE EL COMPRESOR.</p>	<p>⚠️ RISQUE DE CHOC ÉLECTRIQUE. TOUJOURS DÉBRANCHER LE CÂBLE DE LA TENDÈTE AVANT DE LE DÉMONTÈR. NE PAS OPERER LE COMPRESOR SI VOUS OU L'OPERATEUR ÊTES SOUS L'INFLUENCE D'ALCOHOL, DE MÉDICAMENTS, DE DROGUES, OU DE MÉDICAMENTS. TOUJOURS PORTER DES ÉQUPEMENTS DE PROTECTION. TOUJOURS PORTER VOTRE CEINTURE DE SÉCURITÉ QUAND VOUS OPÉREZ LE COMPRESOR. LE SEUL USAGE PERMIS EST LA ALIMENTATION PAR CÂBLE ÉLECTRIQUE. TOUJOURS PORTER VOTRE CEINTURE DE SÉCURITÉ QUAND VOUS OPÉREZ LE COMPRESOR. TOUJOURS PORTER VOTRE CEINTURE DE SÉCURITÉ QUAND VOUS OPÉREZ LE COMPRESOR.</p>

## Guía de detección de problemas

Esta sección proporciona una lista de las fallas que se presentan con mayor frecuencia, sus causas y las medidas correctivas correspondientes. El operador o el personal de mantenimiento pueden llevar a cabo algunas de estas acciones correctivas, pero es posible que otras necesiten la asistencia de un técnico DEWALT calificado o de su distribuidor.

<b>Problema</b>	<b>Código</b>
Pérdidas de aire .....	1
Pérdidas de aire en el tanque de aire o en las soldaduras del tanque de aire .....	2
Pérdidas de aire entre el cabezal y la placa de la válvula.....	3
Pérdidas de aire de la válvula de seguridad .....	4
El compresor no suministra suficiente aire para operar los accesorios .....	1, 5, 6, 7, 9, 10
Entrada restringida de aire.. .....	9
Aceite en el aire de descarga .....	9, 19, 31
Ruido de golpeteo.....	4, 10, 11, 12, 13, 14
Desgaste excesivo de la correa .....	10, 11, 14, 15
Sonidos agudos.....	10
Humedad en la carcasa de la bomba .....	1, 3, 8, 17, 18, 19, 20, 21, 22
Consumo excesivo de corriente.....	14, 26, 27
El compresor no arranca en temperaturas frías.....	17, 34, 35
La lectura de la presión en el manómetro regulado cae, cuando se usa un accesorio .....	23
La perilla del regulador tiene una pérdida constante de aire .....	24
El regulador no cierra la salida de aire.....	24
No se acumula presión en el tanque de aire.....	25
Se detiene el compresor .....	28, 29, 30
Sobrecalentamiento.....	27, 32, 33

## Códigos de detección de problemas

CÓDIGO	CAUSA POSIBLE	SOLUCIÓN POSIBLE
1	Las conexiones no están ajustadas.	Ajuste las conexiones en los lugares donde sienta escapes de aire. Controle las conexiones con una solución de agua jabonosa. <b>NO AJUSTE DEMASIADO.</b>
2	Tanque de aire defectuoso.	Se debe reemplazar el tanque de aire. No repare la pérdida. <b>¡ADVERTENCIA: Riesgo de explosión. No perforo, suelde ni modifique el tanque de aire o el mismo se debilitará. El tanque de aire se puede romper o explotar.</b>
3	Sellos de pérdidas.	Comuníquese con un centro de servicio de fábrica DEWALT o con un centro de servicio autorizado DEWALT.
4	Válvula de seguridad defectuosa.	Opere la válvula de seguridad manualmente tirando del anillo. Si la válvula aún pierde, debe ser reemplazada.
5	Uso excesivo y prolongado de aire.	Disminuya el uso de aire.
6	El compresor no es lo suficientemente grande para el accesorio.	Controle los requisitos de aire del accesorio. Si es mayor que el flujo de aire o la presión provista por su compresor de aire, necesita un compresor más grande para operar el accesorio.
7	Agujero en la manguera de aire.	Controle y reemplace la manguera de aire de ser necesario.
8	La unidad funciona en lugares húmedos o mojados.	Traslade la unidad a un área seca y bien ventilada
9	Filtro de entrada de aire restringido.	Limpie o reemplace el filtro de entrada de aire
10	Correa floja.	Controle la tensión de la correa, consulte <b>Ajustar la tensión de la correa</b> en la sección <i>Mantenimiento</i> .
11	Polea suelta.	Ajuste el tornillo de fijación de la polea, aplique una torsión entre 16,4–20,3 Nm (145 y 180 libras-pulgadas).
12	Volante suelto.	Ajuste el tornillo del volante, aplique una torsión entre 17,6 a 21,7 Nm (13 y 16 libras-pie).
13	Acumulación de carbono en la bomba.	Comuníquese con un centro de servicio de fábrica DEWALT o con un centro de servicio autorizado DEWALT.
14	La correa está demasiado apretada.	Controle la tensión de la correa, consulte <b>Ajustar la tensión de la correa</b> en la sección <i>Mantenimiento</i> .

CÓDIGO	CAUSA POSIBLE	SOLUCIÓN POSIBLE
15	Mala alineación de la polea.	Consulte <b>Alineación de la polea y el volante</b> en la sección <i>Mantenimiento</i> .
16	El nivel de aceite de la bomba es bajo.	Agregue a la bomba un sintético completo de aceite para compresores de aire sin detergente. Consulte <b>Aceite de la bomba del compresor</b> en la sección <i>Mantenimiento</i> .
17	Aceite tipo detergente utilizado en la bomba.	Drene el aceite y vuelva a llenar la bomba con un sintético completo de aceite para compresores de aire sin detergente.
18	Ciclos de trabajo extremadamente livianos.	Haga funcionar la unidad en ciclos de trabajo más largos.
19	Anillos de pistón dañados o gastados.	Comuníquese con un centro de servicio de fábrica DEWALT o con un centro de servicio autorizado DEWALT.
20	Cilindro o pistón dañados o gastados.	Comuníquese con un centro de servicio de fábrica DEWALT o con un centro de servicio autorizado DEWALT.
21	Terminación del cilindro del compresor gastada.	Comuníquese con un centro de servicio de fábrica DEWALT o con un centro de servicio autorizado DEWALT.
22	Agua en el aceite de la bomba.	Drene el aceite y vuelva a llenar la bomba con un sintético completo de aceite para compresores de aire sin detergente.
23	El regulador no está correctamente ajustado para el uso de un accesorio.	Es normal que se presente alguna caída de presión cuando se usa un accesorio, ajuste el regulador como se indica en Regulador en la sección Características si la caída es excesiva. <b>NOTA:</b> Ajuste la presión regulada bajo condiciones de flujo mientras se usa el accesorio.
24	El regulador está dañado.	Reemplácelo
25	Regulador abierto.	Gire la perilla del regulador en sentido contrario, hasta el tope integrado.
26	Volaje bajo/sobrecarga del motor.	Verifique que el suministro de energía sea el adecuado y que el compresor se encuentre conectado en un circuito exclusivo. Si está usando un cordón prolongador, intente utilizar el equipo sin el mismo. Si el compresor de aire está conectado a un circuito protegido por un fusible, utilice solamente fusibles de retardo.

CÓDIGO	CAUSA POSIBLE	SOLUCIÓN POSIBLE
27	Pasajes de aire restringidos.	Inspeccione y reemplace los tubos de transferencia o la válvula de retención, según sea necesario.
28	Bajo voltaje al motor.	Suministre una energía adecuada.
29	Válvula de retención dañada.	Reemplace la válvula de retención.
30	Bomba tomada.	Comuníquese con un centro de servicio de fábrica DEWALT o con un centro de servicio autorizado DEWALT.
31	Nivel de aceite demasiado alto.	Reduzca hasta el nivel adecuado. See <b>Compressor Pump Oil</b> under <i>Maintenance</i> .
32	Mala ventilación.	Vuelva a ubicar el compresor en una zona con aire fresco, seco y bien circulado, por lo menos a 30 cm (12") de la pared más cercana.
33	Superficies de enfriamiento sucias.	Limpie muy bien todas las superficies de enfriamiento.
34	Demasiada contrapresión en el tanque.	Abra la llave de desconpresión al arrancar el motor.
35	El compresor está demasiado frío.	Mueva el compresor a un lugar más cálido.

## GLOSARIO

**CFM:** Pies cúbicos por minuto.

**SCFM:** pies cúbicos estándar por minuto; unidad de medida de suministro de aire.

**PSI:** Libras por pulgada cuadrada; una unidad de medida de presión.

**Presión de arranque:** Mientras el motor está apagado, la presión del tanque de aire cae cuando utiliza un accesorio. Cuando la presión del tanque baja a determinado nivel el motor volverá a encenderse automáticamente. La presión baja en la cual el motor se vuelve a encender automáticamente se llama **presión de arranque**.

**Presión de corte:** Cuando se enciende o cuando comienza a funcionar un compresor de aire, comienza a elevarse la presión del aire en el tanque de aire. Se eleva hasta determinada presión antes de que el motor se apague automáticamente, protegiendo a su tanque de aire de una presión de aire mayor a su capacidad. La presión alta en la cual el motor se apaga se llama **presión de corte**.

**Bien ventilado:** Un medio de proveer aire fresco para contrarrestar el escape de gases o los vapores peligrosos.

**Circuito dedicado:** Un circuito eléctrico reservado para uso exclusivo del compresor de aire.

**ASME:** American Society of Industrial Engineers.

Indica que los componentes se fabricaron, probaron y examinaron de acuerdo con las especificaciones establecidas por ASME

**CSA:** La asociación canadiense de los estándares



Indica que los productos que hacen esta marca haber sido fabricados, haber sido probados y haber examinado a los estándares que son fijados por CSA.

**La asociación canadiense de los estándares (los E.E.U.U.)**



Indica que los productos que hacen esta marca haber fabricado, probado y examinado a los estándares que son fijados por CSA. Estos productos también se conforman con el estándar 1450 de U.L..

**Código de California:** la unidad puede cumplir con las secciones (I) (2)/(M) (2) del Código 462 de California. La etiqueta de especificaciones/modelo se encuentra en el costado del tanque de aire en las unidades que cumplen con el Código de California.





*For product, service or warranty information contact us at:  
Para el producto, servicio o información sobre la garantía contacte con nosotros en:  
Pour les produits, services ou informations sur la garantie nous contacter à:*

**1-888-895-4549**

**[www.DEWALT.com](http://www.DEWALT.com)**

MAT Industries, LLC, Long Grove, IL 60047

Copyright © 2019 DEWALT. DEWALT® and the DEWALT Logo are trademarks of the DEWALT Industrial Tool Co., or an affiliate thereof and are used under license.

Copyright © 2019 DEWALT. DEWALT® y el logo de DEWALT son marcas registradas de DEWALT Industrial Tool Co. o una empresa filial, y se utilizan bajo licencia.

Copyright © 2019 DEWALT. DEWALT® et le logo de DEWALT sont des marques déposées de DEWALT Industrial Tool Co. ou une société affiliée et sont utilisés sous licence.

The yellow/black color scheme is a trademark for DEWALT power tools & accessories.

El gráfico de color negro y amarillo es una marca registrada para las herramientas eléctricas y los accesorios de DEWALT.

L'agencement de couleurs jaune et noir est une marque de commerce des outils électriques et accessoires DEWALT.