

IMPORTANT: Replacement screen door fit range

Tools & Hardware



Be sure you have selected the proper replacement screen size according to your patio door dimensions.

30" x 80" screens fit most common 5' wide x 6'8" high doors
 36" x 80" screens fit most common 6' wide x 6'8" high doors
 48" x 80" screens fit most common 8' wide x 6'8" high doors

This screen is adjustable in height only. Height Fit Range: 77-1/2" up to 81"
 Note: For smaller opening fit, remove one or both expanders. (see step 2)

DO NOT ATTEMPT TO CUT OR MODIFY THE REPLACEMENT SCREEN FRAME!

Tools required:
 Phillips-head screwdriver
 Needle-nose pliers
Additional tools:
 Slotted screwdriver
 Tape measure
 Level
 Utility knife
 Pencil
 Safety glasses
 Step stool
 Scissors or Sheet metal snips

Hardware provided:
 Complete Door Latch Assembly
 • Deluxe Flush Mortise Pull Handle
 • Toggle Night-lock Button
 Screws
 Plastic top guides
 Latch shims (3)

NOTICE Not intended to limit or prevent passage of children, pets, etc. or to deter vandalism or burglary.

1 Sliding screen door preparation and orientation

Fully retract top and bottom expanders by turning the expander adjustment screws (2 on top, 2 on bottom) clockwise until they stop (Fig. 1). DO NOT OVER-TIGHTEN.

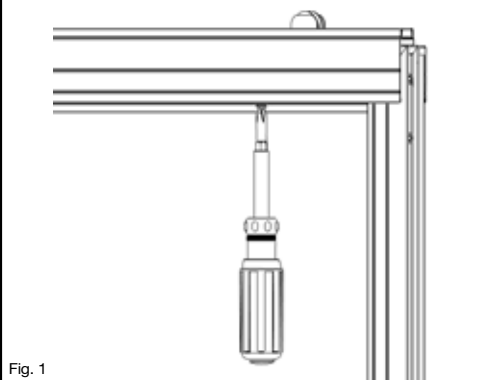


Fig. 1

Determine which way the sliding screen panel should slide. The handle side of the new sliding screen panel should be the same as the sliding glass door. The screen latch release should face toward the inside of your home (Fig. 2). Carefully remove the vertical bug sweep from the non-handle side of the screen door. Set aside.

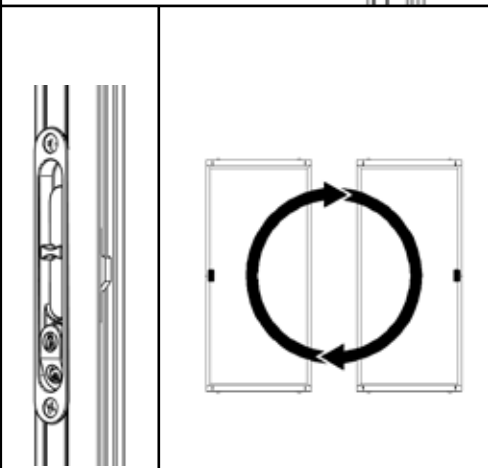


Fig. 2

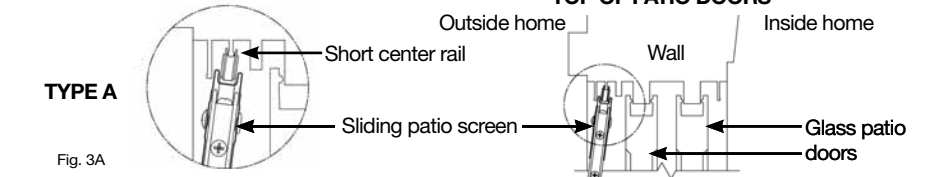
To reverse which side the handle is on, cartwheel the sliding screen panel 180° (Fig. 3).



Fig. 3

2 Determine type of top frame sill track

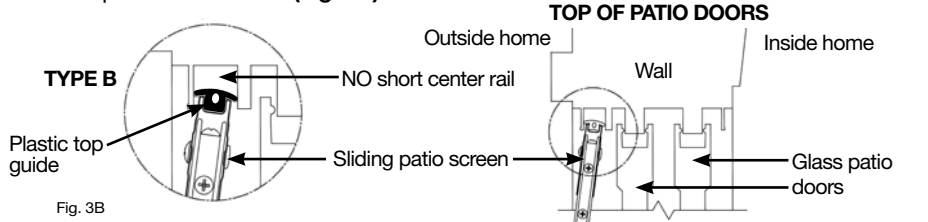
If frame sill track configuration looks like **Type A** with a short center rail, insert top of sliding patio screen into patio door frame and engage top rollers on the center rail. (Fig. 3A)



TYPE A

Fig. 3A

If frame sill track configuration looks like **Type B** without a short center rail, remove top roller assemblies then install plastic top guides into top channel near each end. If plastic guides are too wide to fit in the door sill track you can trim each side up to 1/8" using scissors or sheet metal snips. Insert top of sliding patio screen door into open pocket in the top frame sill track. (Fig. 3B)



TYPE B

Fig. 3B

IMPORTANT: FOR SMALLER OPENINGS

Expander(s) can be removed. Turn screws counter-clockwise alternating from right to left screw until expander can be removed.

For **TYPE A**, Using needle-nose pliers inside door, hold nut and remove the screw. Position wheel assembly in the opening and attach directly to door with 2 screws (Fig. 3C).

For **TYPE B**, position plastic top guides into top channel near each end. Tap lightly with hammer to install. (Fig. 3D).

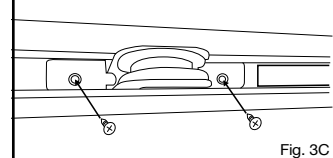


Fig. 3C



Fig. 3D

3 Install sliding patio screen door in patio door track

Place the top of the patio screen door into the top sill track of the patio door. Lift the bottom of the sliding screen door into the bottom sill track of the patio door. This may be a tight fit. If so, slip a putty knife under one wheel assembly, compress the assembly, and lift that side of the screen door into the track. Repeat for the other wheel. Ensure that the wheel rests on the guide rail in the patio door sill track, if applicable. (Fig. 4)

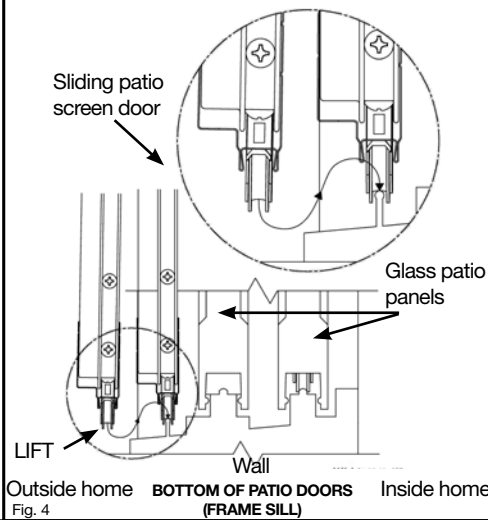


Fig. 4

4 Adjust sliding patio screen door height



For most applications, the height of the door will require adjustment. This may require adjusting the top, bottom, or both expanders.

Start with the top expander. Extend the top expander until it fully engages in the top sill track by rotating each top expander screw counter-clockwise using a Phillips-head screwdriver.

If the top of the door is not fully engaged in the patio door sill track, repeat this adjustment on each of the 2 bottom expander screws to increase the height of the screen door until it fully engages in the patio door top sill track.

Test to check if the door slides smoothly. If not, make small adjustments to each corner of the bottom expander until satisfied. (Fig. 5)

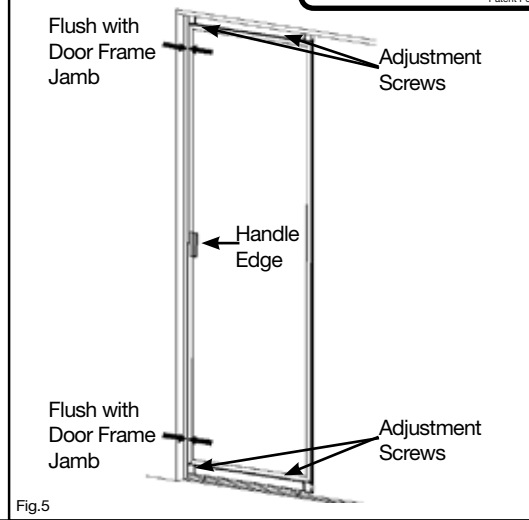


Fig. 5

5 Install and trim the bug sweep

Press the bug sweep back into the door frame in the channel opposite the handle side. If bug sweep is too long for the installed height of the patio screen door, carefully trim excess with a utility knife. When the screen is closed, the bug sweep should fit snugly against the stationary glass panel of the patio door. If bug sweep is too wide, impeding the operation of the screen door, carefully trim excess along the grooves provided. (Fig. 6)

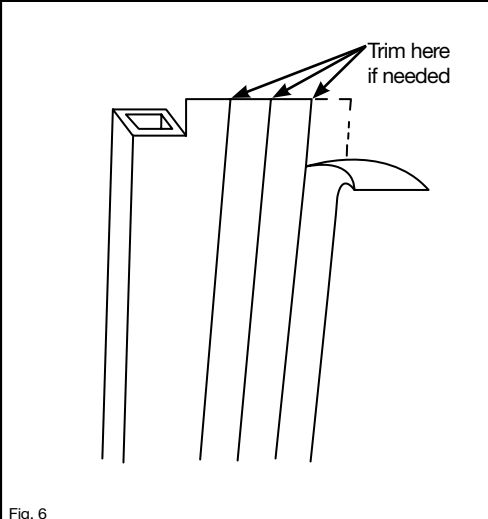


Fig. 6

6 Latch alignment and adjustment

- Place screen handle latch bar in uppermost "unlatched" position.
- Place strike latch at frame jamb. Align top of strike latch slightly below the latch hook as shown in (Fig. 7). Mark screw hole locations.
- Attach strike latch to frame jamb and test latch engagement by sliding handle latch bar downward (Fig. 8).

If the strike latch will not catch the sliding patio door handle latch bar, add shim(s) provided underneath the strike latch until it catches.

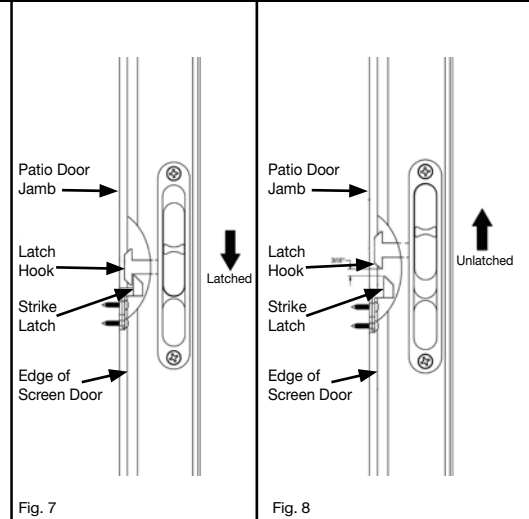


Fig. 7

Fig. 8

Warranty Information

Your Unique Home Designs screen door is warranted against manufacturer defects for one year from the purchase date. If the door breaks or structural defects occur, Unique Home Designs will, at our discretion, repair or replace the door. Replacement items may vary in style due to changes in suppliers and product. This limited warranty will not apply if the part has been misused, abused or altered. Cutting parts not specified by the installation guide or parts drilled incorrectly are not included in this warranty. Screen material is excluded from warranty coverage. Warranty is not transferable.

To make a claim under this Warranty, send a brief written description of the problem, a picture of the claim, proof of purchase, and your contact information to: Unique Home Designs, 973 N. Colorado Street, Gilbert AZ. 85233 Attn: Warranty Claims.

VIEW INSTALLATION VIDEOS AND LATEST INFORMATION AT helpmeininstallit.com