



CENTERSET METERING

Z86300-XL-CP4

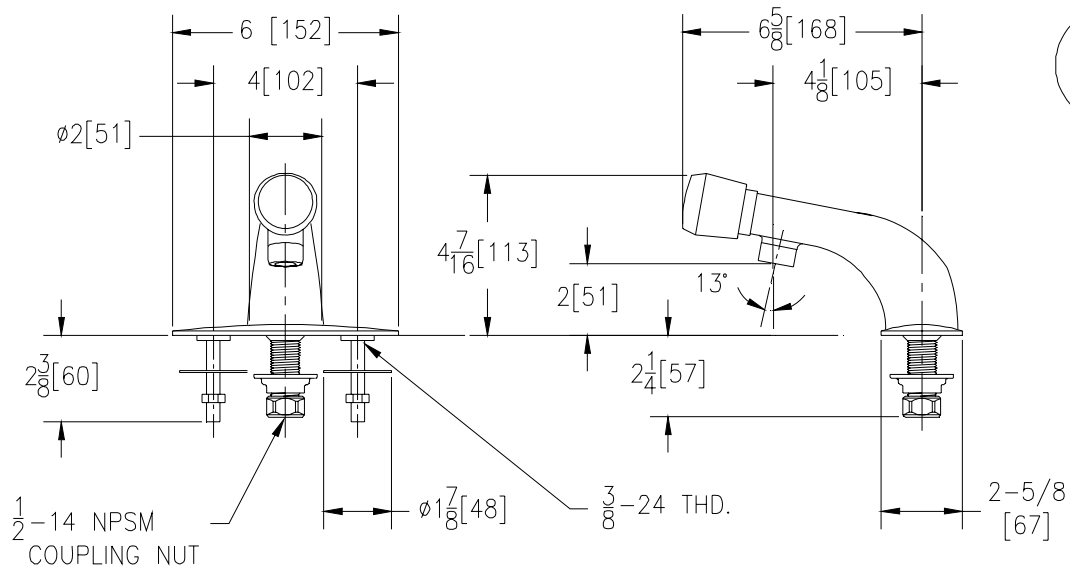
TAG _____



Engineering Specifications: Zurn AquaSpec® Z86300-XL-CP4

Polished chrome-plated single lavatory, slow-closing metering faucet with an integral shank and a 4-1/8" [105mm] long integral cast spout. Easy adjustable cycle time, preset to 10 seconds at 80 PSI. Unit is furnished with a water-conserving aerator which reduces flow to .25 GPC [1.0 GPM] (complying with ANSI A112.18.1 Standard for flow), 4" [102mm] centers, cast metal chrome plated cover plate, anti-rotation pins, integral shank filter, mounting hardware, and a 1/2" NPSM coupling nut for a standard lavatory riser. Requires less than 5 pounds force to activate per ANSI A117.1.

Zurn Lead Compliant* "XL" products are a line of durable, high quality brass faucets and fixtures that are designed and manufactured to comply with state laws and local codes that mandate lead content levels. Zurn "XL" products are manufactured with *not more than 0.25% lead content when used with respect to wetted surfaces of pipes and pipe fittings, plumbing fitting and fixtures: California Health & Safety Code § 116875; Vermont 9 VCA § 2470h.



Note: All dimensions are for reference only. Do not use for pre-plumbing

OPTIONAL ACCESSORIES

Suffix	Description
___ -CS	Check Stops
___ -G	1-1/4" [32mm] Grid Strainer Drain
___ -GH	1-1/4" [32mm] Offset Handicap Grid Drain
___ -IN	Institutional Handle - Tamper-Proof and Vandal-Resistant
___ -MY	Mixing Yoke
___ -MYCS	Mixing Yoke with Check Stops
___ -PT	1-1/4" [32mm] Cast Brass P-Trap with a 7-1/2" [191mm] Long 17-Gauge Wall Bend
___ -3M	0.5 GPM [1.9 L] Vandal-Resistant Pressure Compensating Male Spray Outlet
___ -16M	1.0 GPM [3.8 L] Vandal-Resistant Pressure Compensating Male Spray Outlet
___ -21M	1.0 GPM [3.8L] Male Laminar Flow Outlet
___ -22M	1.0 GPM [3.8L] Vandal-Resistant Male Laminar Flow Outlet
___ -24M	0.35 GPM [1.3 L] Pressure Compensating Male Spray Outlet
___ -25M	0.35 GPM [1.3 L] Vandal-Resistant Pressure Compensating Male Spray Outlet

ZURN INDUSTRIES, LLC ♦ COMMERCIAL BRASS OPERATION ♦ 2640 SOUTH WORK STREET ♦ FALCONER NY 14733

Phone: 1-800-997-3876 ♦ Fax: 1-919-775-3541 ♦ www.zurn.com

In Canada: ZURN INDUSTRIES LIMITED ♦ 3544 Nashua Drive ♦ Mississauga, Ontario L4V1L2 ♦ Phone: 905/405-8272 Fax: 905/405-1292