

Installation Guide

Wiser Air™ Thermostat



Safety information

Read these instructions carefully and look at the equipment to become familiar with the device before trying to install, operate, service or maintain it. The following special messages may appear throughout this installation guide or on the equipment to warn of potential hazards or to call attention to information that clarifies or simplifies a procedure.



The addition of either symbol to a “Danger” or “Warning” safety label indicates that an electrical hazard exists which will result in personal injury if the instructions are not followed.



This is the safety alert symbol. It is used to alert you to potential personal injury hazards. Obey all safety messages that follow this symbol to avoid possible injury or death.

⚠ DANGER

DANGER indicates a hazardous situation which, if not avoided, **will result** in death or serious injury.

⚠ WARNING

WARNING indicates a hazardous situation which, if not avoided, **could result** in death or serious injury.

NOTICE

NOTICE is used to address practices not related to physical injury.

Please Note

Electrical equipment should be installed, operated, serviced, and maintained only by qualified personnel only. No responsibility is assumed by Schneider Electric for any consequences arising out of the misuse of this product.

A qualified person is one who has skills and knowledge related to the construction, installation, and operation of electrical equipment and has received safety training to recognize and avoid the hazards involved.

Before You Start

Read the information in this section in its entirety before you begin the installation of Wiser Air.

TOOLS	PROVIDED MATERIALS
<ul style="list-style-type: none"> • Wire stripper • Drill with 3/16in (4.8mm) drill bit • Screwdriver • Level • Voltmeter 	<ul style="list-style-type: none"> • Wiser Air front • Wiser Air back plate • Wiser Air trim plate • Screws (x2) and anchors (x2) • Wire extender kit • Installation guide • Wire labels

Preparation

- Make sure that your existing thermostat is in off mode.
- Switch your air conditioning and/or heating system breaker to the off position.
- We recommend that you use a properly isolated voltmeter to confirm power is off.
- Wiring must conform to all building codes, regulations, and ordinances as required by local and national code and regulation authorities.
- Ensure all electrical loads (air conditioners, heating elements, etc.) that will be controlled by Wiser Air are connected to appropriate fuses to prevent overload.
- Ensure Wiser Air is suitable for the environment. Check the voltage compatibility (~24V).
- Wiser Air outputs are rated at 1A maximum.
- Security is a top priority for Wiser Air. Wi-Fi must be at least WPA2 password protected.

Location

- If this is a new installation, install Wiser Air 5ft (1.52m) above the floor surface in accordance with applicable building codes.
- Install Wiser Air in areas with frequent occupancy and airflow.
- Avoid installing Wiser Air in locations near heating/cooling devices.
- Avoid installing Wiser Air in areas with direct sunlight. The screen may become unreadable due to direct sunlight or reflection from windows, and temperature regulation may be affected.
- Avoid installing Wiser Air behind doors, near corners, near air vents, or in areas with high dust concentration.

Mounting

1. Keep the front of Wiser Air separate from the back plate before mounting.
2. Align the Wiser Air back plate against a wall using a level and mark the placement of the mounting holes.
3. Using a 3/16in (4.8mm) drill bit, drill a hole to a depth of 1in (25.4mm) and install wall anchors at the marked locations. If a stud is present, no anchors are necessary.

Cleaning and care

- Use a soft, lint-free dry cloth for cleaning.
- Avoid getting moisture in openings.
- Do not use cleaning products or compressed air.
- Never use tools directly on the touchscreen.
- Never use paint on Wisier Air.
- Do not drop or crush Wisier Air, or allow Wisier Air to come into contact with liquids.
- Do not use a damaged device (such as one with a cracked screen).
- Functionality guarantees are no longer valid if the glass on the screen is broken.

Wisier Air product support

The Customer Care Center (CCC) is your single point of contact for information about your Wisier Air. Qualified personnel are available to answer your customer service and technical support questions.






Phone: **1-855-55WISER (1-855-559-4737)**

E-Mail: wisier_support@schneider-electric.com

Web: www.wisierair.com/support

Wiring at a Glance



Connections	Typically used for:
 RH, RC, C	This supplies power to your thermostat
 G	This controls the fan
 W, W2, U	This controls heating and humidity balance
 Y, Y2	This controls air conditioning and heat pump
HP	O/B Reversing valve
 W	This controls auxiliary/emergency heating

Common system configurations

In all applications: **RC** and **C** provide power to the thermostat; **G** controls the fan.

Single Stage Dual Fuel Heat Pump

Connections: **RC, C, G, W, Y, O/B, S1, S2**

Y - Compressor Stage 1

W - Auxiliary Heat

O/B - Reversing Valve

S1, S2 - Exterior temperature sensor

Single Stage Heat/Cool

Connections: **RC, C, G, W, Y**

W - Heating

Y - Cooling

Two Speed Heat Pump

Connections: **RC, C, G, W, Y, Y2, O/B**

Y - Compressor Stage 1

Y2 - Compressor Stage 2

W - Auxiliary Heat

O/B - Reversing Valve

Single Stage Heat Pump

Connections: **RC, C, G, W, Y, O/B**

Y - Compressor

W - Auxiliary Heat

O/B - Reversing Valve

Two Stage Heat/Two Stage Cool

Connections: **RC, C, G, W, Y, W2, Y2**

Y - Stage 1 Cooling

W - Stage 1 Heating

Y2 - Stage 2 Cooling

W2 - Stage 2 Heating

Single Stage Heat Pump with Air Exchanger

Connections: **RC, C, G, W, Y, W2, O/B**

W - Auxiliary Heat

Y - Compressor

W2 - Air Exchanger

O/B - Reversing Valve

Wiring connections in detail

RC, RH

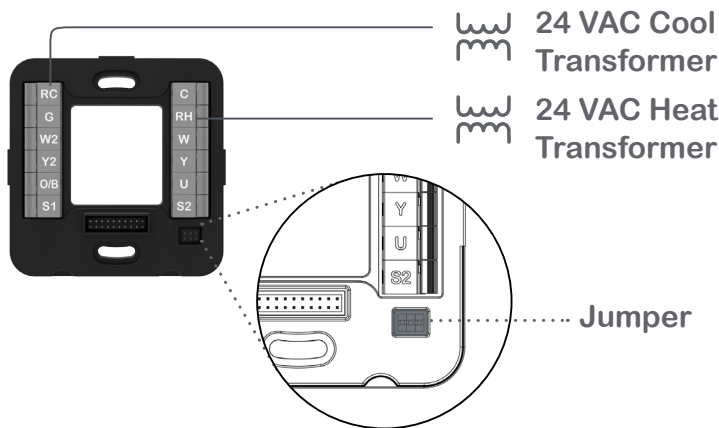
Wiser Air thermostats requires 24VAC power from the Heating, Ventilating and Air Conditioning (HVAC) system in order to function.

In most modern homes, a single HVAC unit provides both heating and cooling

- In these cases, the RC/RH jumper shall be left in place.
- 24V R wire may be landed on either the RH or RC terminal.

If your home has 2 different sets of equipment for heating and cooling

- The R wire from each HVAC unit must be wired separately.
- The RH/RC jumper shall be removed.
- The R wire from the heating unit should be connected to RH.
- The R wire from the cooling unit should be connected to RC.
- The C wire from the cooling unit should be connected to C.



TIP: For more information, please visit <https://www.wiserhome.com/support/>

C

Wiser Air also requires a connection to the common side of the 24V transformer.

If you are replacing a thermostat that also had a C wire

- Move that wire to the C terminal.

If you are replacing a thermostat that did not have a C wire

- If there are spare conductors that were not connected to your old thermostat, one of these can possibly be used as the C conductor. Before connecting the spare wire to C on the thermostat, verify that that the conductor is connected to the 24VAC Transformer common terminal in the HVAC wiring compartment. Connect the conductor at the HVAC equipment if necessary and then connect it to the C terminal on the thermostat.
- If no spare conductors are available, then use the Wire Extender as described in the Appendix.

G

In all applications, the G terminal engages the fan of the HVAC equipment.

W, W2

In a conventional system

- The W terminal engages the first stage of heating.

In a heat pump system

- The W terminal engages the auxiliary heat or emergency heat.

In advanced, multi-stage systems

- The W2 terminal engages the second stage of heating.

Y, Y2

In a conventional system

- The Y terminal engages the first stage of air conditioning.

In a heat pump system

- The Y terminal engages the compressor in both heating and cooling modes.

In advanced, multi-stage systems

- The Y2 terminal engages the second stage of cooling.

NOTICE

An Air Exchanger can be connected to either W2 or Y2 (depending on availability). The setup wizard will configure Wiser Air to use the correct terminal.

O/B

In a heat pump system

- The O/B terminal engages the reversing valve.

U

This is a universal terminal. It has a few different functions depending on configuration.

In 3-stage heat systems

- The U terminal is used to engage the third stage of heating.

S1, S2

In advanced systems with exterior temperature measurement

- S1 and S2 can be used to connect an exterior temperature sensor.
- Use Schneider Electric part number EER57200 or S1010E1000.

Installation Procedure

▲ WARNING

MERCURY HAZARD

If replacing an existing thermostat that uses a sealed tube of mercury, do not dispose of the tube in the trash. Contact local waste management authorities for information on the safe disposal or recycling of the mercury.

Failure to safely dispose of the mercury can result in exposure leading to serious health damage.

Optional trim plate mounting

If you are replacing an existing thermostat, you have the option of using the provided Wiser Air trim plate. If the hole left by the removal of the existing unit is larger than the back plate of the Wiser Air thermostat, use the optional trim plate. Run the wires and anchor the mounting screws through it while attaching the back plate to the wall (Fig. 2). Make sure to attach the trim plate with the central hole oriented upward.

Installing Wiser Air

1. Disconnect power to the HVAC system by turning off the breaker.
2. Remove the existing thermostat's panel from the wall without disconnecting the wiring.
3. Take a picture of the wiring of the terminal connections (Fig. 1). To prevent confusion, label the wires.

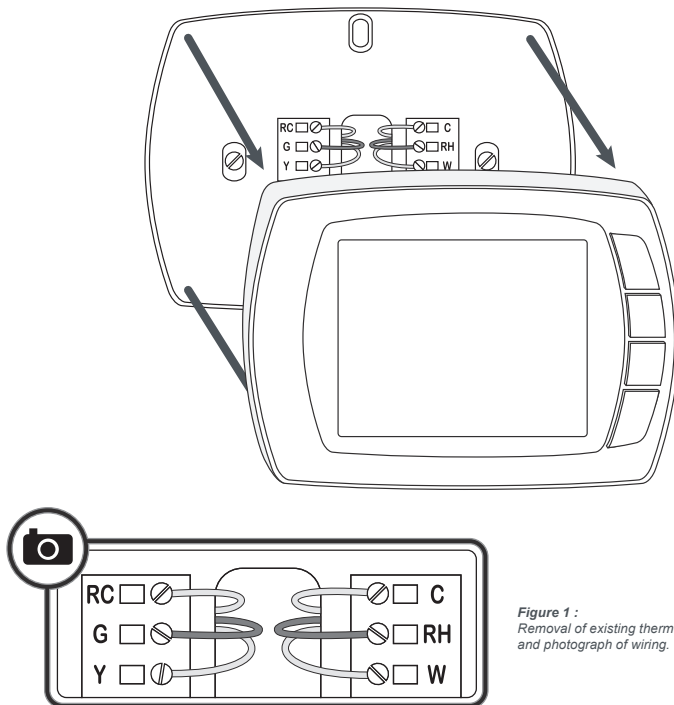


Figure 1 :
Removal of existing thermostat
and photograph of wiring.

TIP: To verify the compatibility of your unit, please visit www.wiserair.com/compatibility

TIP: Before proceeding further determine if you require the optional trim plate.

TIP: Before proceeding further check if you require a wire extender (see Appendix).

4. Disconnect the wiring of the existing thermostat and remove the back plate.

TIP: Acceptable wire gauge for use with Wisir Air is solid 18 to 22 AWG (0.33 to 0.82mm²).

5. Pull the wires 6in (15cm) out of the wall if they are not already pulled out.
6. Insert the wires through the central hole in the Wisir Air back plate.
7. If required, strip each wire 0.25in (0.6cm) from the end (does not apply to replacing pre-existing units).
8. Gently push the wiring back into the hole.

TIP: See the Wiring terminals section (p.11) in this guide before proceeding further.

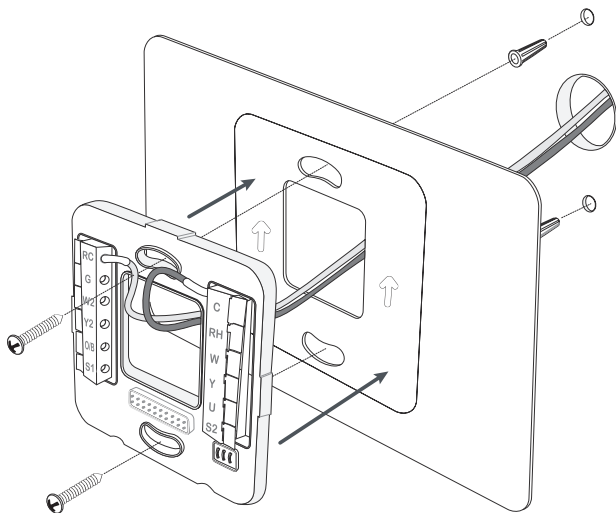


Figure 2 : Wiring connection and back plate attachment (optional trim plate shown).

9. Connect the wiring to the Wiser Air back plate, matching the terminal connections to those in the photograph of the existing thermostat's wiring or according to the wiring requirements of your HVAC system. See wiring instructions on page 11.
10. Attach the Wiser Air back plate to the wall using the provided screws in the mounting holes in the top and bottom (Fig. 2).
11. Attach the front of Wiser Air to the back plate, making sure that the front is oriented correctly so that the terminal pins on the front panel match the pins on the back plate. Do not use excessive force on the Wiser Air as this can damage the terminal pins (Fig. 3).

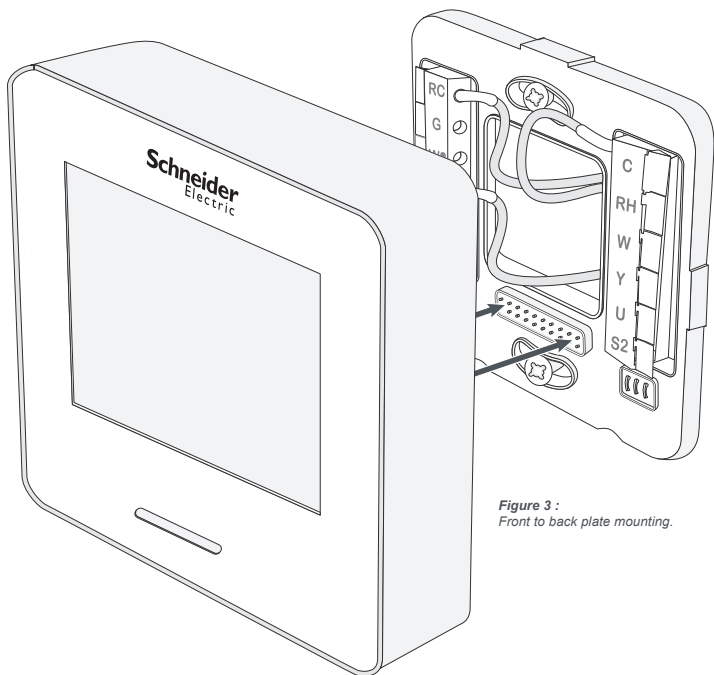


Figure 3 :
Front to back plate mounting.

12. Remove the protective plastic cover from the LCD touchscreen.
13. Reconnect power to the HVAC system.

Wiring terminals

This section describes the procedure for connecting the wiring to the back plate. (Fig. 4) shows the Wiser Air backplate configuration.

When replacing an older thermostat, refer to the photograph of the original wiring taken in **Step 3** of the installation procedure to connect the wiring to the correct terminals. See the caution below.

For a new installation, consult the documentation for your HVAC system to determine the correct wiring terminal connections. Match the wiring labels to the terminal labels. For more information or assistance in determining the correct wiring for your HVAC system, see the HVAC wiring help sections on the Wiser Air website (www.wiserair.com/support).

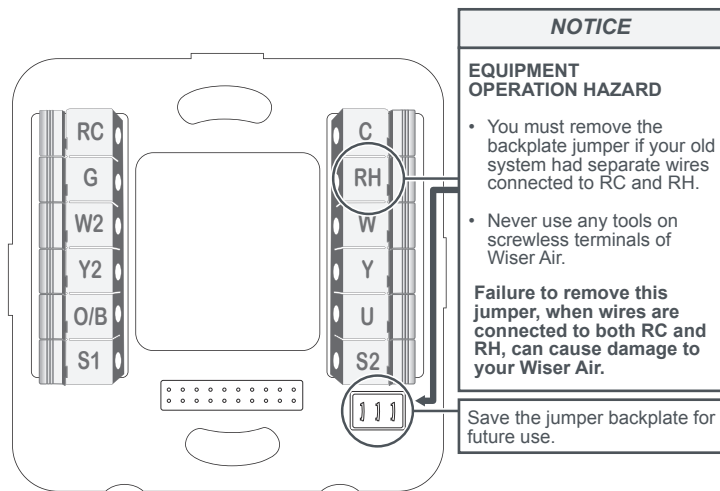


Figure 4 : Wiring terminals and jumper.

TIP: To ensure that Wiser Air is wired correctly. Place the thermostat in either heating or cooling mode. Set the set point 2 degrees above or below the current temperature. Confirm that your system engages in either heating or cooling. For heat pumps, an additional step is required to check auxiliary heating. Set the set point 5 degrees below the current set point. The air should feel noticeably warmer than the 2 degree check.

Troubleshooting

If you experience difficulties with your Wisir Air thermostat setup, proceed as follows:

- Disconnect power.
- Check that the front plate of Wisir Air is properly connected to the back plate.
- Check that the wires connected to the terminals on the back plate are properly attached.
- Contact the Customer Care Center 1-855-559-4737.

Terminal descriptions

Wiser Air Terminal	Description	Notes	Other brand terminal equivalents
RC	Cool 24V power supply	Required	R, RC
G	Fan relay		G, F
W2	Heating relay (Stage 2) / Air Exchanger		W2 (if W, W1 or Aux is selected), D, Dehum
Y2	Compressor relay (Stage 2) / Air Exchanger (if W2 is used with Stage 2 Heating)		Y2, D, Dehum
O/B	Cool/Heat active reversing valve		O/B, O, B
S1	Outside air sensor		S1
C	Common	Required	C, X, B
RH	Heat 24V power supply	Only if RC is connected	RH
W	Heating relay		W, W1, W2, AUX
Y	Compressor relay		Y, Y1
U	Universal (W3)		W3, H
S2	Outside air sensor		S2

TIP: Wiser Air does not require a separate terminal to control emergency heat.

Touchscreen Display

Installation wizard

When installing Wiser Air for the first time, an installation wizard will launch to guide you through the initial configuration and registration of the device as soon as the device is connected. You will also be prompted to create an account on the Wiser Air website or in the mobile app. Follow the instructions shown. For more information, visit: www.wiserair.com/support.

TIP: For on-the-go control of your thermostat, download the Wiser Air application from the App Store, Google Play or Microsoft Store.



Figure 5 : Wiser Air welcome screen.

Smart Sense display

Wiser Air has a built-in advanced motion sensor. When it detects a person in proximity, it will show a limited display. In order to conserve energy, the display is inactive when no presence is detected by the sensor.

Interactive display

When a user interacts with Wisier Air's touchscreen, the display will change to show the following information.

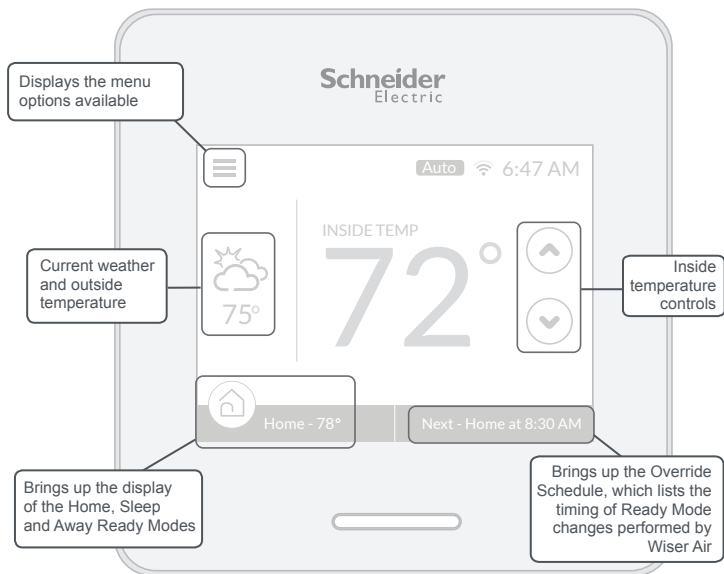


Figure 6 : Interactive display.

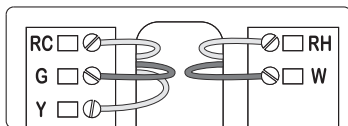
For more information on Wisier Air's functionality, and for advanced HVAC instructions go to: <https://www.wiserair.com/support>.

Appendix

Wiser Wire Extender Kit

Do I need to use the wire extender?

If there is no common wire (C) on your existing thermostat (see illustration below), and there is no spare wire available, the wire extender is needed or a new wire may be installed from the equipment to Wiser Air.



Typical battery powered thermostat without common (C) terminal.

The wire extender kit contains a diode pair and a Printed Circuit Board (PCB) assembly. To open the board, pinch and pull (Fig. 7).

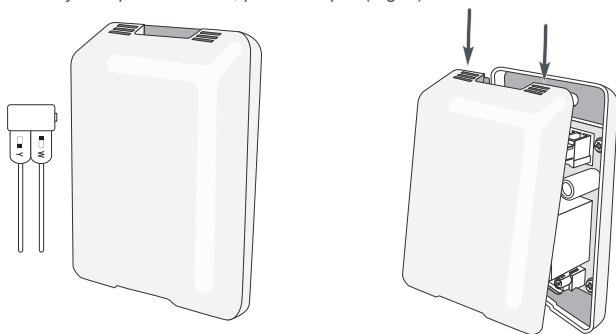


Figure 7 : Wire Extender Kit.

▲ WARNING

HAZARD OF ELECTRICAL SHOCK

The following installation procedure should be performed by qualified personnel:

- Knowledgeable about and licensed in accordance with local electrical installation code requirements.
- Able to read, interpret, and follow the instructions and precautions provided.
- Trained on the operation and fundamentals of residential HVAC apparatus, and familiar with the associated hazards.

Failure to follow these instructions can result in personal injury and/or damage to Wiser Air.

Installation

⚠ ⚠ DANGER



HAZARD OF ELECTRIC SHOCK, EXPLOSION OR ARC FLASH

Disconnect all power before working on equipment.

Failure to follow these instructions will result in death or serious injury.

TIP: Take a photograph of the initial wiring of the HVAC system to use as a reference and to help prevent wiring mishaps during the installation process.

1. Disconnect the wires from the Y and W terminals on the thermostat.
2. Connect the diode pair to the Y and W terminals (Fig. 8). Ensure that the diode pair's Y terminal is connected to the thermostat's Y terminal and the diode pair's W terminal is connected to the thermostat's W terminal.
3. Connect the wire that was on W to the diode pair; connect the wire that was on Y to C.
4. Connect the other wire that was disconnected from the thermostat base to the C terminal on the thermostat.

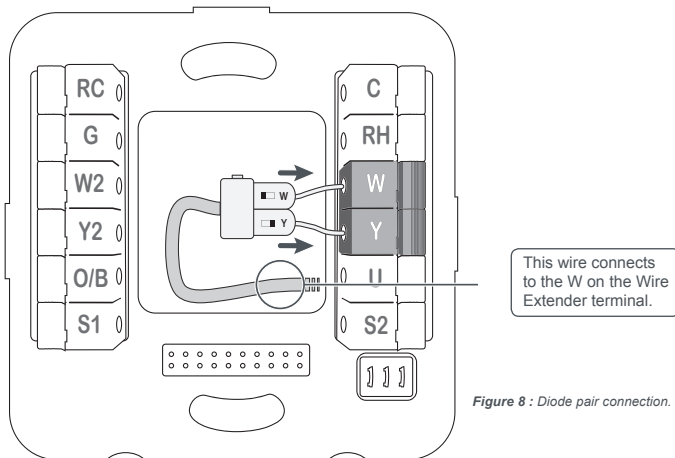


Figure 8 : Diode pair connection.

TIP: Use the picture taken in Step 3 of the Installation procedure for Wisier Air to help you determine whether you have a 4 or 5-wire system.

Installing the wire extender kit in a 4-wire system

1. Isolate power from the HVAC system.
2. Familiarize yourself with the HVAC control board located inside the air handler system.
3. Relocate the wire from the R terminal on the HVAC control board to the RC or RH terminal on the STAT side of the PCB assembly. Ensure that the jumper between the RC and RH terminals is installed.
4. Relocate the wire from the G terminal on the HVAC control board to the G terminal on the STAT side of the PCB assembly.
5. Connect the wire at the C terminal of the thermostat to the C terminal on the STAT side of the PCB assembly.
6. Connect the wire from the common point of the diode pair to either the W or Y terminal on the STAT side of the PCB assembly. Ensure that the jumper between the W and Y terminals is installed.
7. Connect the wires between terminals RC, Y, W, C, and G on the HVAC control board and the EQUIP side of the PCB assembly.
8. Connect RC, Y, W, C, and G on the HVAC control board to RC, Y, W, C, and G on the EQUIP side of the wire extender respectively.
9. Mount the PCB assembly near the HVAC control board.

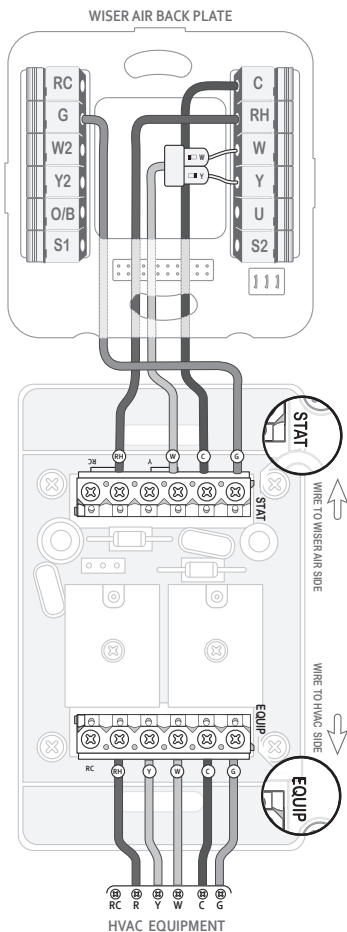


Figure 9 : PCB assembly installation in a 4-wire system.

Installing the wire extender kit in a 5-wire system

In order to complete this procedure, ensure that the RC/RH jumper on the STAT side of the PCB is unscrewed and removed.

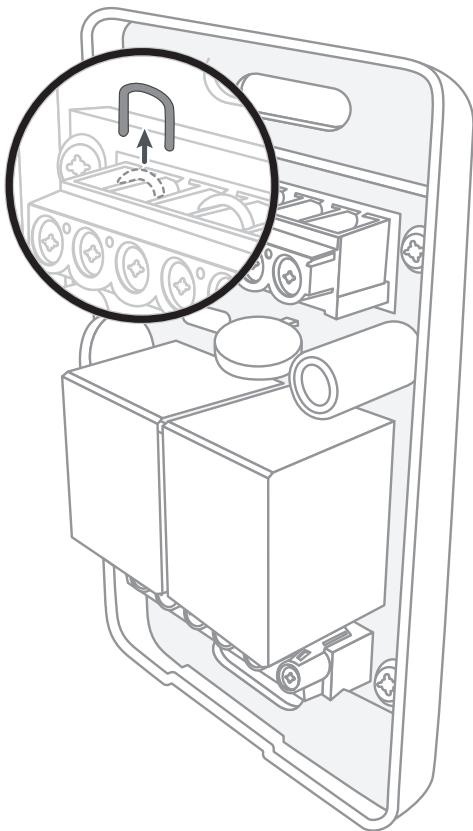


Figure 10 : Wire extender jumper removal.

Installing the wire extender kit in a 5-wire system

1. Isolate power from the HVAC system.
2. Familiarize yourself with the HVAC control board located inside the air handler system.
3. Relocate the wire from the RC terminal on the HVAC control board to the RC terminal on the STAT side of the PCB assembly.
4. Connect the wire relocated from terminal RH on the HVAC control board to terminal RH on the STAT side of the PCB assembly.
5. Relocate the wire from the G terminal on the HVAC control board to the G terminal on the STAT side of the PCB assembly.
6. Connect the wire at the C terminal of the thermostat to the C terminal on the STAT side of the PCB assembly.
7. Mount the PCB assembly near the HVAC control board.
8. Connect the wire from the common point of the diode pair to either the W or Y terminal on the STAT side of the PCB assembly. Ensure that the jumper between the W and Y terminals is installed.
9. Connect the wires between the RC, RH, Y, W, C, and G terminals on the HVAC control board to RC, RH, Y, W, C and G on the EQUIP side of the wire extender respectively.

TIP: If no C terminal is present, connect to the 24V side of the transformer powering the control board.

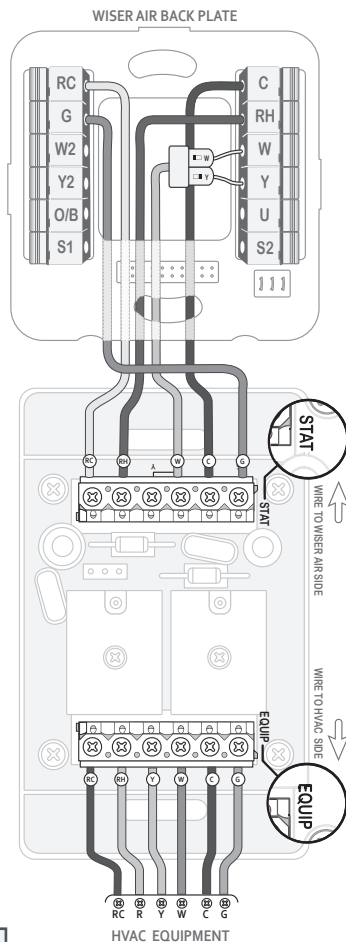
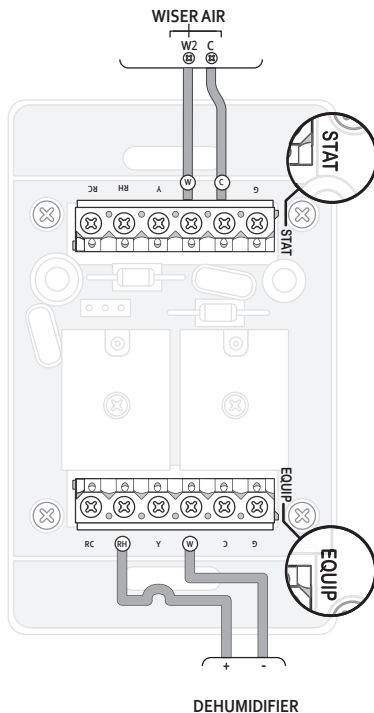


Figure 11 : PCB assembly installation in a 5-wire system.

Installing the wire extender kit in a humidity control system

The wire extender can be used to install dehumidification devices. In order to utilize this function, set up the wiring as shown below:

- Connect the W2 terminal (as required) with the extender kit W terminal.
- Remove the jumper wire between the Y and W, and Rc and Rh terminals on the extender kit.
- Use the W and Rh terminals for the dehumidifier.
- The Wiser Air common wire should be connected to the C terminal on the STAT side of the extender kit.



This page intentionally left blank.

THIS DEVICE COMPLIES WITH PART 15 OF THE FCC RULES. OPERATION IS SUBJECT TO THE FOLLOWING TWO CONDITIONS: (1) THIS DEVICE MAY NOT CAUSE HARMFUL INTERFERENCE, AND (2) THIS DEVICE MUST ACCEPT ANY INTERFERENCE RECEIVED, INCLUDING INTERFERENCE THAT MAY CAUSE UNDESIRE OPERATION.

Check with your local government for instruction on disposal of these products.

© 2017 Schneider Electric. All rights reserved.

Schneider Electric and Wiser are trademarks owned by Schneider Electric Industries SAS or its affiliated companies. All other trademarks are the property of their respective owners.

Wiser - IG-CA-21.01.2016 V3

Guía de instalación

 Termostato Wisser **Air**™



Schneider
 Electric™

Información de seguridad

Lea detenidamente estas instrucciones y observe el equipo para familiarizarse con el dispositivo antes de intentar realizar su instalación, operación, reparación o mantenimiento. Es posible que en esta guía de instalación o en el equipo aparezcan los siguientes mensajes advirtiendo acerca de posibles peligros o recordándole al usuario información para aclarar o simplificar un procedimiento.



La presencia de símbolos de “Peligro” o “Advertencia” en la etiqueta de seguridad indica que existe un peligro eléctrico que puede provocar lesiones a personas si no se respetan las instrucciones.



Este es el símbolo de alerta de seguridad. Se usa para alertar sobre peligros de posibles lesiones a personas. Obedezca todos los mensajes de seguridad que tengan este símbolo para evitar posibles lesiones o muerte.

▲ PELIGRO

PELIGRO indica una situación de peligro que, si no se evita, **causará** muerte o lesiones graves.

▲ ADVERTENCIA

ADVERTENCIA indica una situación de peligro que, si no se evita, **podría causar** muerte o lesiones graves.

AVISO

AVISO se usa para mencionar prácticas no relacionadas con una lesión física.

Información para tener en cuenta

Solo personal calificado debe instalar, operar, reparar y realizar mantenimiento a los equipos eléctricos. Schneider Electric no se hace responsable de ninguna consecuencia que surja del uso indebido de este producto.

Se considera persona calificada a quien posee las habilidades y el conocimiento relacionados con la construcción, la instalación y el funcionamiento de equipos eléctricos y que ha recibido capacitación sobre seguridad que le permite reconocer y evitar los peligros asociados con los equipos en cuestión.

Antes de comenzar

Lea toda la información en esta sección antes de comenzar a instalar Wiser Air.

HERRAMIENTAS	MATERIALES PROVISTOS
<ul style="list-style-type: none"> • Pelacables • Taladro con broca de 3/16 pulgadas (4.8 mm) • Destornillador • Nivel • Voltímetro 	<ul style="list-style-type: none"> • Parte delantera de Wiser Air • Placa posterior de Wiser Air • Placa de montaje de Wiser Air • Tornillos (x2) y anclajes (x2) • Juego de cable prolongador • Guía de instalación • Etiquetas del cable

Preparación

- Asegúrese de que el termostato existente esté en modo apagado.
- Coloque el interruptor del sistema de calefacción y/o aire acondicionado en la posición de apagado.
- Le recomendamos que use un voltímetro debidamente aislado para confirmar que el suministro eléctrico esté desconectado.
- El cableado debe cumplir con todas las regulaciones, las ordenanzas y los códigos de edificación, tal como lo requieren los códigos locales y nacionales y las autoridades reguladoras.
- Asegúrese de que todas las cargas eléctricas (aires acondicionados, elementos de calefacción, etc.) que Wiser Air controlará estén conectadas a los fusibles correspondientes para evitar sobrecargas.
- Asegúrese de que Wiser Air sea adecuado para el entorno. Verifique la compatibilidad de voltaje (~24 V).
- Las salidas de Wiser Air tienen una capacidad nominal máxima de 1 A.
- La seguridad es una prioridad principal para Wiser Air. La conexión de wifi debe estar protegida, al menos, por una contraseña WPA2.

Ubicación

- Si se trata de una instalación nueva, instale Wiser Air a 5 pies (1.52 m) por encima de la superficie del suelo de acuerdo con los códigos de edificación vigentes.
- Instale Wiser Air en áreas de ocupación frecuente y con corriente de aire.
- Evite instalar Wiser Air cerca de dispositivos de calefacción o enfriamiento.
- Evite instalar Wiser Air en áreas que reciben luz solar directa. La pantalla puede volverse ilegible por el efecto de la luz solar directa o por el reflejo de las ventanas, lo que podría afectar la regulación de la temperatura.
- Evite instalar Wiser Air detrás de las puertas, cerca de las esquinas, cerca de las salidas de aire o en áreas con alta concentración de polvo.

Montaje

1. Mantenga la parte delantera de Wiser Air separada de la placa posterior antes del montaje.
2. Alinee la placa posterior de Wiser Air contra una pared usando un nivel y marque la ubicación de los orificios de montaje.
3. Usando una broca de 3/16 pulgadas (4.8 mm), perforo un orificio de una profundidad de 1 pulgada (25.4 mm) e instale los anclajes de pared en los lugares marcados. Si hay una viga, no es necesario colocar los anclajes.

Cuidado y limpieza

- Para la limpieza, utilice un paño suave, seco y sin pelusas.
- Evite que se filtre humedad por las aberturas.
- No use productos de limpieza ni aire comprimido.
- Nunca utilice herramientas directamente sobre la pantalla táctil.
- Nunca utilice pintura sobre el Wiser Air.
- No permita que el Wiser Air se caiga o se golpee, ni que entre en contacto con líquidos.
- No utilice un dispositivo dañado (como uno con la pantalla rota).
- Las garantías de funcionamiento carecerán de validez si el vidrio de la pantalla está roto.

Soporte del producto Wiser Air

El Centro de Atención al Cliente (CCC) es su único punto de contacto para obtener información sobre el Wiser Air. Contamos con personal calificado disponible para responder sus preguntas de soporte técnico y del servicio al cliente.

Teléfono: **1-855-55WISER (1-855-559-4737)**

Correo electrónico: **wiser_support@schneider-electric.com**

Sitio web: **www.wiserair.com/support**

Resumen del cableado



Conexiones		Uso habitual:
	RH, RC, C	Suministra energía al termostato.
	G	Controla el ventilador.
	W, W2, U	Controla la calefacción y el equilibrio de la humedad.
	Y, Y2	Controla el aire acondicionado y la bomba de calefacción.
HP	O/B	Válvula de inversión
	W	Controla la calefacción auxiliar/de emergencia.

Configuraciones comunes del sistema

En todas las aplicaciones: **RC** y **C** suministran energía al termostato; **G** controla el ventilador.

Bomba de calefacción de combustible dual de una etapa

Conexiones: **RC, C, G, W, Y, O/B, S1, S2**

Y - Compresor de una etapa

W - Calefacción auxiliar

O/B - Válvula de inversión

S1, S2 - Sensor de temperatura exterior

Enfriamiento/calefacción de una etapa

Conexiones: **RC, C, G, W, Y**

W - Calefacción

Y - Enfriamiento

Bomba de calefacción de dos velocidades

Conexiones: **RC, C, G, W, Y, Y2, O/B**

Y - Compresor de una etapa

Y2 - Compresor de dos etapas

W - Calefacción auxiliar

O/B - Válvula de inversión

Bomba de calefacción de una etapa

Conexiones: **RC, C, G, W, Y, O/B**

Y - Compresor

W - Calefacción auxiliar

O/B - Válvula de inversión

Calefacción en dos etapas/Enfriamiento en dos etapas

Conexiones: **RC, C, G, W, Y, W2, Y2**

Y - Enfriamiento de una etapa

W - Calefacción de una etapa

Y2 - Enfriamiento de dos etapas

W2 - Calefacción de dos etapas

Bomba de calefacción de una etapa con intercambiador de aire

Conexiones: **RC, C, G, W, Y, W2, O/B**

W - Calefacción auxiliar

Y - Compresor

W2 - Intercambiador de aire

O/B - Válvula de inversión

Detalles sobre la conexión del cableado

RC, RH

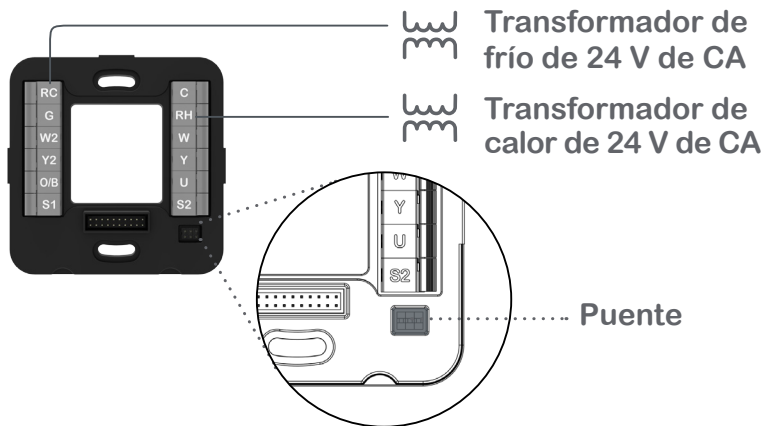
Los termostatos Wisir Air requieren una alimentación de 24 V de CA del sistema de calefacción, ventilación y aire acondicionado (HVAC) para funcionar.

En la mayoría de las casas modernas, una sola unidad de HVAC ofrece tanto calefacción como enfriamiento.

- En esos casos, el puente RC/RH se debe dejar en el lugar.
- El cable R de 24 V se puede conectar ya sea al terminal RH o al RC.

Si su casa tiene 2 grupos de equipos diferentes para calefacción y enfriamiento:

- El cable R de cada unidad de HVAC debe estar conectado por separado.
- El puente RH/RC se debe retirar.
- El cable R de la unidad de calefacción debe estar conectado a RH.
- El cable R de la unidad de enfriamiento debe estar conectado a RC.
- El cable C de la unidad de enfriamiento debe estar conectado a C.



CONSEJO: Para obtener más información, visite <https://www.wiserhome.com/support/>

C

Wiser Air también requiere una conexión al lado común del transformador de 24 V.

Si está reemplazando un termostato que también tenía un cable C:

- Mueva ese cable al terminal C.

Si está reemplazando un termostato que no tenía un cable C:

- Si hay conductos de repuesto que no estaban conectados al antiguo termostato, uno de estos se podría usar como el conductor C. Antes de conectar el cable de repuesto a C en el termostato, verifique que el conductor esté conectado a un terminal común del transformador de 24 V de CA en el compartimento del cableado del equipo de HVAC. Si es necesario, conecte el conductor al equipo de HVAC y luego conéctelo al terminal C en el termostato.
- Si no hay conductores de repuesto disponibles, entonces use el prolongador de cable como se describe en el Anexo.

G

En todas las aplicaciones, el terminal G conecta el ventilador de los equipos de HVAC.

W, W2**En un sistema convencional**

- El terminal W conecta la primera etapa de calefacción.

En un sistema de bomba de calefacción

- El terminal W conecta la calefacción auxiliar o de emergencia.

En sistemas avanzados de múltiples etapas

- El terminal W2 conecta la segunda etapa de calefacción.

Y, Y2**En un sistema convencional**

- El terminal Y conecta la primera etapa del aire acondicionado.

En un sistema de bomba de calefacción

- El terminal Y conecta el compresor a ambos modos, de calefacción y enfriamiento.

En sistemas avanzados de múltiples etapas

- El terminal Y2 conecta la segunda etapa de enfriamiento.

AVISO

Se puede conectar un intercambiador de aire al terminal W2 o al Y2 (según la disponibilidad). El asistente configurará el Wiser Air para que use el terminal correcto.

O/B**En un sistema de bomba de calefacción**

- El terminal O/B conecta la válvula de inversión.

U

Este es un terminal universal. Tiene algunas funciones diferentes según la configuración.

En sistemas de calefacción de 3 etapas

- El terminal U se usa para conectar la tercera etapa de calefacción.

S1, S2**En sistemas avanzados con medición de temperatura exterior**

- S1 y S2 se pueden usar para conectar un sensor de temperatura exterior.
- Use un Schneider Electric, número de pieza EER57200 o S1010E1000.

Procedimiento de instalación

▲ ADVERTENCIA

PELIGRO DE MERCURIO

Si se reemplaza un termostato existente que usa un tubo sellado de mercurio, no deseche el tubo. Comuníquese con las autoridades locales de gestión de residuos para obtener información sobre cómo desechar de manera segura o cómo reciclar el mercurio.

Si no se desecha el mercurio de manera segura podría explotar y causar daños graves para la salud.

Montaje de la placa de montaje opcional

Si está reemplazando un termostato existente, tiene la opción de usar la placa de montaje de Wiser Air proporcionada. Si el orificio que queda luego de retirar la unidad existente es más grande que la placa posterior del termostato Wiser Air, use la placa de montaje opcional. Pase los cables y coloque los tornillos de montaje al fijar la placa posterior a la pared (Fig. 2). Asegúrese de colocar la placa de montaje con el orificio central orientado hacia arriba.

Instalación de Wiser Air

1. Para desconectar el sistema de HVAC del suministro eléctrico, apague el interruptor.
2. Retire el panel del termostato existente de la pared sin desconectar el cableado.
3. Tome una fotografía del cableado de las conexiones de los terminales (Fig. 1). Para evitar confusiones, coloque etiquetas en los cables.

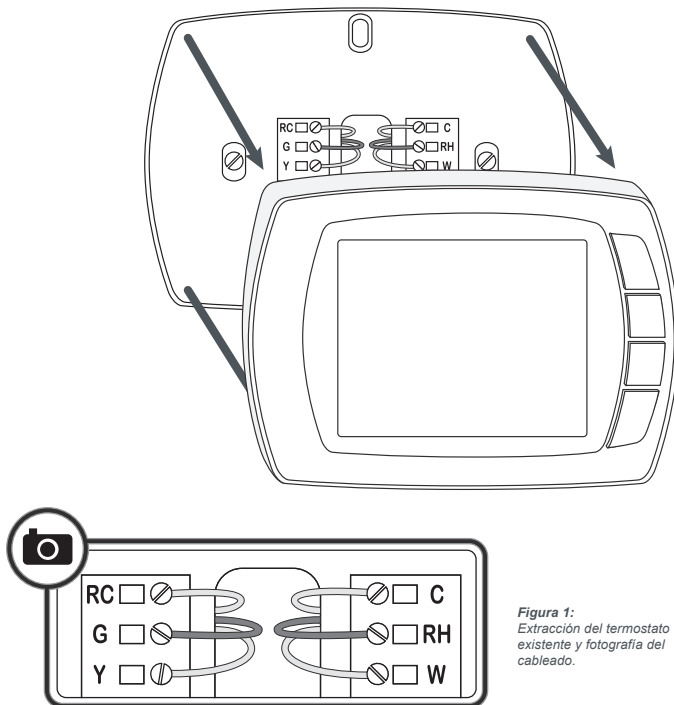


Figura 1:
Extracción del termostato
existente y fotografía del
cableado.

CONSEJO: Para verificar la compatibilidad de la unidad, visite www.wiserair.com/compatibility

CONSEJO: Antes de continuar, verifique si también necesitará una placa de montaje opcional.

CONSEJO: Antes de continuar, controle si también necesitará un prolongador de cable (consulte el Anexo).

4. Desconecte los cables del termostato existente y retire la placa posterior.

CONSEJO: El calibre aceptable de cable apto para usar con el Wiser Air es un cable macizo de 18 a 22 AWG (0.33 a 0.82 mm²).

5. Tire los cables 6 pulgadas (15 cm) hacia fuera de la pared si ya no están hacia afuera.
 6. Inserte los cables a través del orificio central en la placa posterior de Wiser Air.
 7. De ser necesario, pele cada cable 0.25 pulgadas (0.6 cm) desde el extremo (no se aplica para el reemplazo de unidades preexistentes).
 8. Presione suavemente el cableado para volver a introducirlo al orificio.

CONSEJO: Consulte la sección Terminales de cableado (pág. 11) en esta guía antes de continuar.

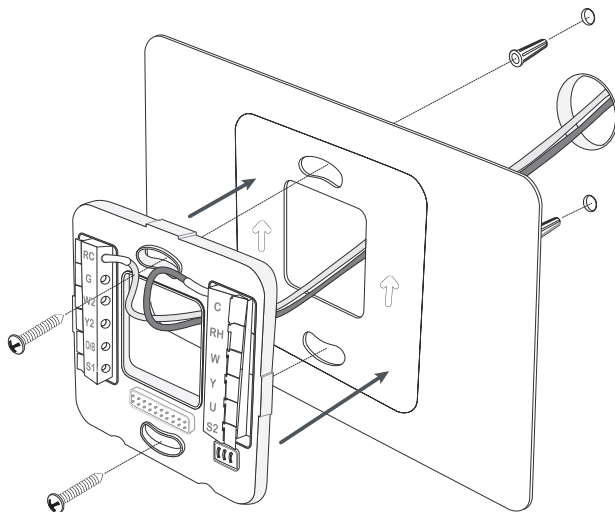


Figura 2: Conexión del cableado y fijación de la placa posterior (se muestra la placa de montaje opcional).

9. Conecte los cables a la placa posterior de Wiser Air, haciendo coincidir las conexiones de los terminales con las que aparecen en la fotografía del cableado del termostato existente o según los requisitos de cableado del sistema de HVAC. Consulte las instrucciones de cableado en la página 11.
10. Para colocar la placa posterior de Wiser Air en la pared use los tornillos proporcionados en los orificios de montaje de la parte superior y inferior (Fig. 2).
11. Conecte la parte delantera de Wiser Air a la placa posterior, asegurándose de que la parte delantera esté correctamente orientada de modo que las clavijas del terminal en el panel delantero coincidan con las clavijas en la placa posterior. No ejerza excesiva fuerza sobre el Wiser Air ya que esto podría dañar las clavijas del terminal (Fig. 3).

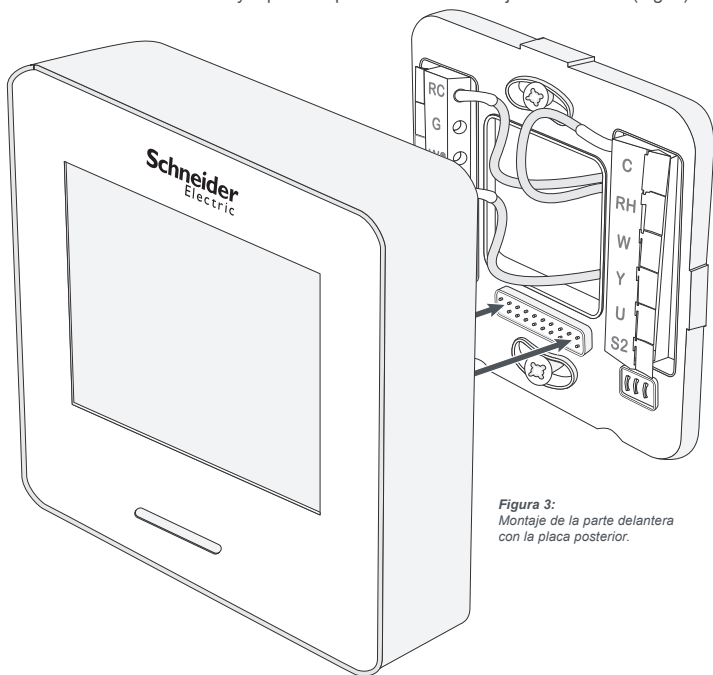


Figura 3:
Montaje de la parte delantera
con la placa posterior.

12. Retire la cubierta protectora de plástico de la pantalla táctil LCD.
13. Vuelva a conectar el suministro eléctrico al sistema de HVAC.

Terminales de cableado

Esta sección describe el procedimiento para conectar los cables con la placa posterior. La (Fig. 4) muestra la configuración de la placa posterior de Wiser Air.

Para reemplazar un termostato antiguo, consulte la fotografía del cableado original que tomó en el **Paso 3** del procedimiento de instalación para conectar el cableado a los terminales correctos. Consulte el mensaje de precaución a continuación.

Para realizar una instalación nueva, consulte la documentación del sistema de HVAC para determinar las conexiones correctas de los terminales de cableado. Haga coincidir las etiquetas del cableado con las etiquetas de los terminales.

Para obtener más información o ayuda para determinar el cableado correcto para el sistema de HVAC, consulte las secciones de ayuda sobre el cableado para sistemas de HVAC que aparecen en el sitio web de Wiser Air (www.wiserair.com/support).

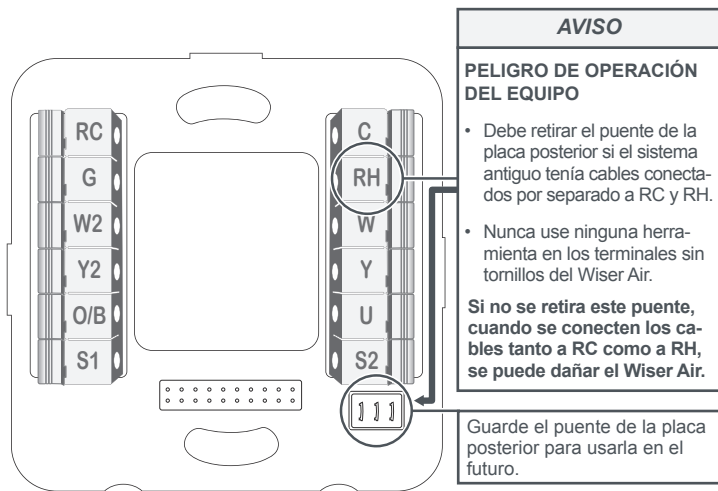


Figura 4: Terminales de cableado y puente.

CONSEJO: Para asegurarse de que los cables del Wiser Air estén conectados correctamente, haga lo siguiente: Coloque el termostato en modo de enfriamiento o calefacción. Coloque el punto de ajuste 2 grados por debajo o por encima de la temperatura actual. Confirme que el sistema funciona en modo de enfriamiento o calefacción. Para las bomba de calefacción, es necesario realizar un paso adicional para controlar la calefacción auxiliar. Coloque el punto de ajuste 5 grados por debajo del punto de ajuste actual. El aire debería ser considerablemente más cálido que durante la verificación de 2 grados.

Resolución de problemas

Si tiene dificultades para configurar el termostato Wisser Air, proceda de la siguiente manera:

- Desconecte el suministro eléctrico.
- Verifique que la placa delantera del Wisser Air esté correctamente conectada a la placa posterior.
- Verifique que los cables conectados a los terminales de la placa posterior se hayan fijado correctamente.
- Comuníquese con el Centro de Atención al Cliente al 1-855-559-4737.

Descripciones de terminales

Wisser Air Terminal	Descripción	Notas	de otra marca Equivalentes de terminal
RC	Suministro eléctrico de 24V para enfriamiento	Obligatorio	R, RC
G	Relé del ventilador		G, F
W2	Relé de calefacción (etapa 2) / Intercambiador de aire		W2 (si se selecciona W, W1 o Aux), D, Deshum
Y2	Relé del compresor (etapa 2)/Intercambiador de aire (si se usa W2 con calefacción de dos etapas)		Y2, D, Deshum
O/B	Válvula de inversión activa de enfriamiento/calefacción		O/B, O, B
S1	Sensor de aire exterior		S1
C	Común	Obligatorio	C, X, B
RH	Suministro eléctrico de 24V para calefacción	Solo si RC está conectado	RH
W	Relé de calefacción		W, W1, W2, AUX
Y	Relé del compresor		Y, Y1
U	Universal (W3)		W3, H
S2	Sensor de aire exterior		S2

CONSEJO: Wisser Air no precisa un terminal por separado para controlar la calefacción de emergencia.

Pantalla táctil

Asistente de instalación

Al instalar Wiser Air por primera vez, aparecerá un asistente de instalación que lo guiará durante la configuración inicial y el registro del dispositivo tan pronto como lo conecte. También se lo invitará a crear una cuenta en el sitio web o en la aplicación móvil de Wiser Air. Siga las instrucciones que se indican. Para obtener más información, visite: www.wiserair.com/support.

CONSEJO: Para tener un control sobre la marcha del termostato, descargue la aplicación Wiser Air desde App Store, Google Play o Microsoft Store.



Figura 5: Pantalla de bienvenida de Wiser Air.

Pantalla de sensor inteligente

Wiser Air tiene un sensor de movimiento avanzado incorporado. Cuando detecte una persona cerca, mostrará una pantalla limitada. Para conservar la energía, la pantalla permanece inactiva cuando el sensor no detecta ninguna presencia.

Pantalla interactiva

Cuando un usuario interactúa con la pantalla táctil de Wiser Air, la pantalla cambiará para mostrar la siguiente información.

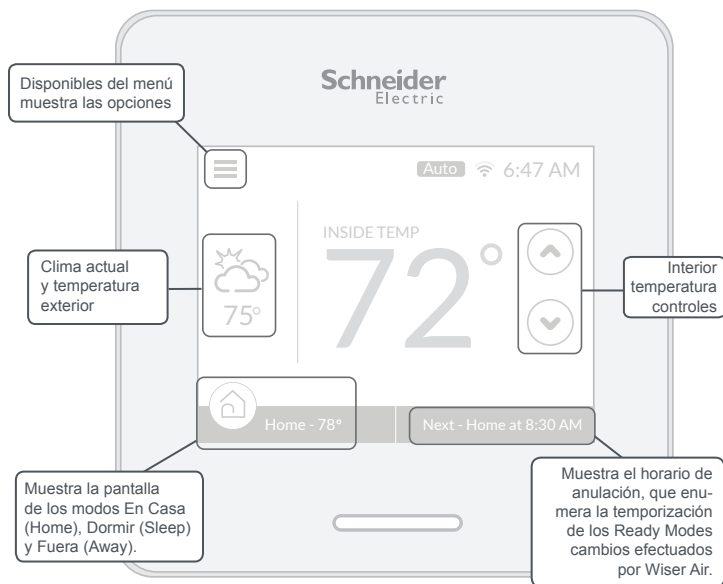


Figura 6: Pantalla interactiva.

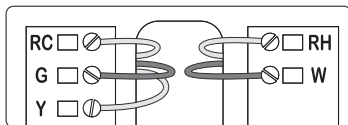
Para obtener más información sobre la funcionalidad de Wiser Air e instrucciones avanzadas sobre HVAC, visite: <https://www.wiserair.com/support>.

Anexo

Juego de prolongador de cable Wiser

¿Necesito usar el prolongador de cable?

Si el termostato existente no cuenta con un cable común (C) (consulte la ilustración a continuación) y si no hay un cable de repuesto, será necesario usar el prolongador de cable o se podrá instalar un nuevo cable desde el equipo hasta Wiser Air.



Termostato típico alimentado por batería sin terminal común (C).

El juego de prolongador de cable contiene un par de diodos y una plaqueta de circuito impreso (PCB) ensamblado. Para abrir la plaqueta, tómelala y jale de ella (Fig. 7).

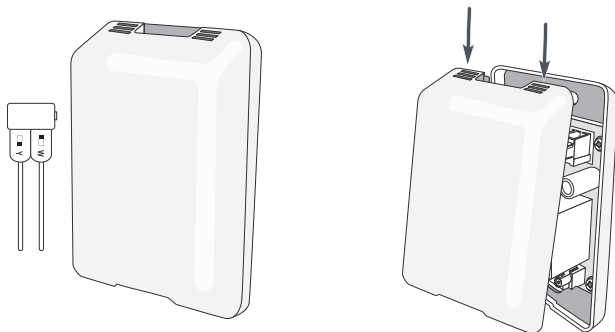


Figura 7: Juego de prolongador de cable.

⚠ ADVERTENCIA

PELIGRO DE DESCARGA ELÉCTRICA

Al siguiente procedimiento de instalación lo debe realizar personal calificado:

- Con conocimientos sobre el tema y la habilitación correspondiente a los requerimientos de los códigos locales de instalaciones eléctricas.
- Capaz de leer, interpretar y seguir las instrucciones y precauciones provistas.
- Capacitado en la operación y en las reglas básicas de aparatos de HVAC residenciales y familiarizado con los riesgos asociados.

El incumplimiento de estas instrucciones puede causar lesiones a personas y/o daño al Wiser Air.

Instalación

⚠️ ⚠️ PELIGRO



PELIGRO DE DESCARGA ELÉCTRICA, EXPLOSIÓN O ARCO ELÉCTRICO

Desconecte el equipo de todo suministro eléctrico antes de trabajar en él.

El incumplimiento de estas instrucciones puede ocasionar la muerte o lesiones graves.

CONSEJO: Tome una fotografía del cableado inicial del sistema de HVAC para usar como referencia y ayudar a evitar accidentes con el cableado durante el proceso de instalación.

1. Desconecte los cables de los terminales Y y W en el termostato.
2. Conecte el par de diodos a los terminales Y y W (Fig. 8). Asegúrese de que el terminal Y del par de diodos esté conectado al terminal Y del termostato y que el terminal W del par de diodos esté conectado al terminal W del termostato.
3. Conecte el cable que estaba conectado en el terminal W con el par de diodos; conecte el cable que estaba conectado en el terminal Y con el terminal C.
4. Conecte el otro cable que se había desconectado de la base del termostato con el terminal C en el termostato.

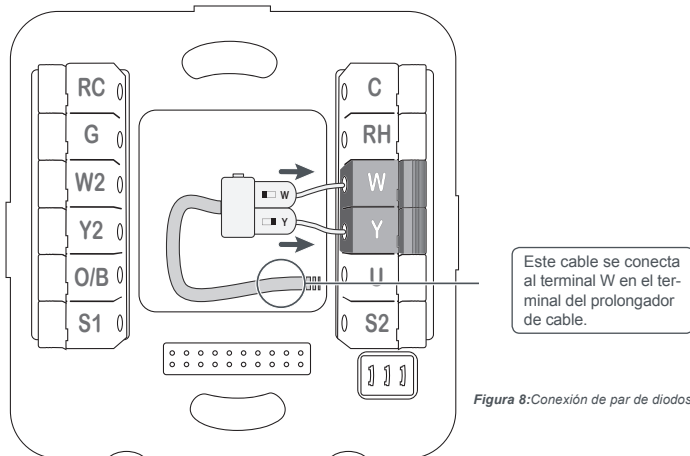


Figura 8: Conexión de par de diodos.

CONSEJO: Use la fotografía tomada en el Paso 3 del procedimiento de instalación del Wiser Air para determinar si tiene un sistema de 4 o 5 cables.

Instalación de un juego de prolongador de cable en un sistema de 4 cables

1. Aísle el suministro eléctrico del sistema de HVAC.
2. Familiarícese con el tablero de control de HVAC ubicado dentro del sistema de tratamiento de aire.
3. Vuelva a ubicar el cable del terminal R del tablero de control de HVAC con el terminal RC o RH del lado de STAT del ensamble de la PCB. Asegúrese de que el puente entre los terminales RC y RH esté instalado.
4. Vuelva a ubicar el cable del terminal G en el tablero de control de HVAC con el terminal G del lado de STAT del ensamble de la PCB.
5. Conecte el cable en el terminal C del termostato con el terminal C del lado de STAT del ensamble de la PCB.
6. Conecte el cable del punto común del par de diodos ya sea al terminal W o Y en el lado de STAT del ensamble de la PCB. Asegúrese de que el puente entre los terminales Y y W esté instalado.
7. Conecte los cables entre los terminales RC, Y, W, C y G en el tablero de control de HVAC y en el lado de EQUIP del ensamble de la PCB.
8. Conecte los terminales RC, Y, W, C y G en el tablero de control de HVAC con los terminales RC, Y, W, C y G en el lado de EQUIP del prolongador de cable, respectivamente.
9. Monte el ensamble de la PCB cerca del tablero de control de HVAC.

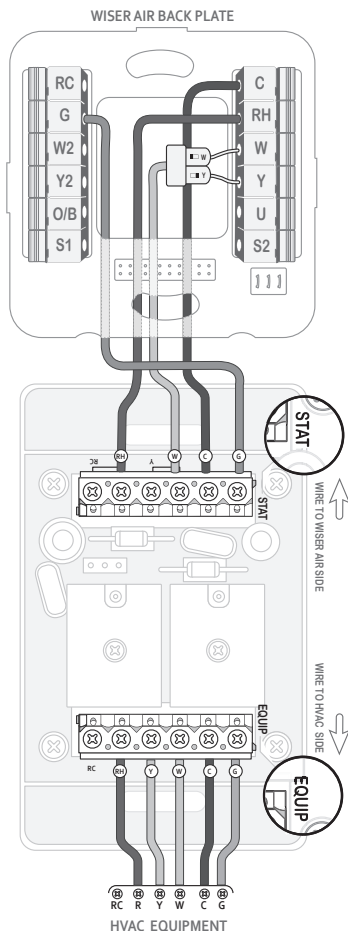


Figura 9: Instalación de ensamble de la PCB en un sistema de 4 cables.

Instalación del juego de prolongador de cable en un sistema de 5 cables

Para completar este procedimiento, asegúrese de que el puente RC/RH en el lado de STAT de la PCB esté desatornillado y se haya eliminado.

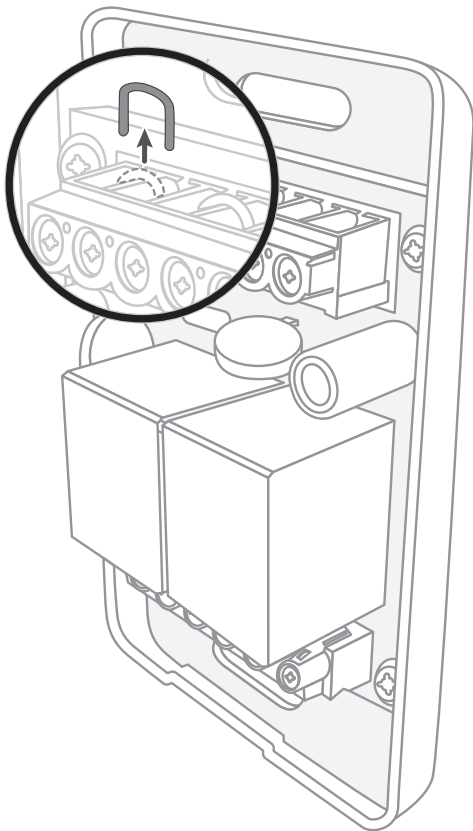


Figura 10: Eliminación de puente del prolongador de cable.

Instalación del juego de prolongador de cable en un sistema de 5 cables

1. Aísle el suministro eléctrico del sistema de HVAC.
2. Familiarícese con el tablero de control de HVAC ubicado dentro del sistema de tratamiento de aire.
3. Vuelva a ubicar el cable del terminal RC en el tablero de control de HVAC con el terminal RC en el lado de STAT del ensamble de la PCB.
4. Conecte el cable reubicado del terminal RH en el tablero de control de HVAC con el terminal RH en el lado de STAT del ensamble de la PCB.
5. Vuelva a ubicar el cable del terminal G en el tablero de control de HVAC con el terminal G en el lado de STAT del ensamble de la PCB.
6. Conecte el cable al terminal C del termostato al terminal C en el lado de STAT del ensamble de la PCB.
7. Monte el ensamble de la PCB cerca del tablero de control de HVAC.
8. Conecte el cable del punto común del par de diodos ya sea al terminal W o Y en el lado de STAT del ensamble de la PCB. Asegúrese de que el puente entre los terminales Y y W esté instalado.
9. Conecte los cables entre los terminales RC, RH, Y, W, C y G en el tablero de control de HVAC con los terminales RC, RH, Y, W, C y G en el lado de EQUIP del prolongador de cable, respectivamente.

CONSEJO: Si no hay ningún terminal C presente, conecte al lado de 24V del transformador que alimenta al tablero de control.

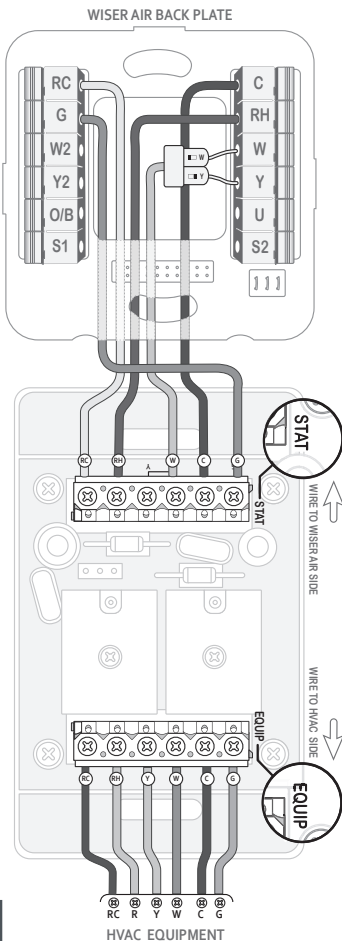
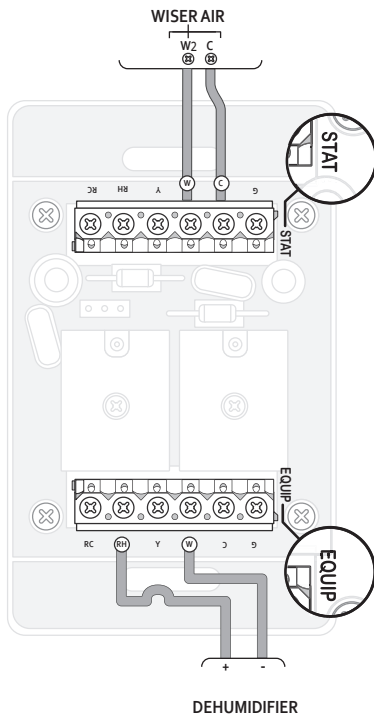


Figura 11: Instalación de ensamble de la PCB en un sistema de 5 cables.

Instalación de un juego de cable prolongador en un sistema de control de la humedad

Se puede usar el cable prolongador para instalar dispositivos de deshumidificación. Para utilizar esta función, configure el cableado como se muestra a continuación:

- Conecte el terminal W2 (si es necesario) con el terminal W del juego del prolongador.
- Quite el puente del cable entre Y y W, y los terminales Rc y Rh del juego del prolongador.
- Utilice los terminales W y Rh para el deshumidificador.
- Se debe conectar el cable común del Wiser Air al terminal C del lado de STAT del juego del prolongador.



Esta página se dejó en blanco deliberadamente.

ESTE DISPOSITIVO CUMPLE CON LA PARTE 15 DE LAS REGLAS DE LA COMISIÓN FEDERAL DE COMUNICACIONES (FCC). EL FUNCIONAMIENTO ESTÁ SUJETO A LAS SIGUIENTES DOS CONDICIONES: (1) ESTE DISPOSITIVO PODRÍA NO CAUSAR INTERFERENCIA PERJUDICIAL Y (2) ESTE DISPOSITIVO DEBE ACEPTAR TODA INTERFERENCIA RECIBIDA, INCLUIDA LA INTERFERENCIA QUE PODRÍA CAUSAR UN FUNCIONAMIENTO NO DESEADO.

Consulte al gobierno local para recibir instrucciones sobre el desecho de estos productos.

© 2017 Schneider Electric. Todos los derechos reservados.

Schneider Electric y Wiser son marcas comerciales que pertenecen a Schneider Electric Industries SAS o sus compañías afiliadas. Todas las demás marcas comerciales son propiedad de sus respectivos propietarios.

Wiser - IG-CA-21.01.2016 V3