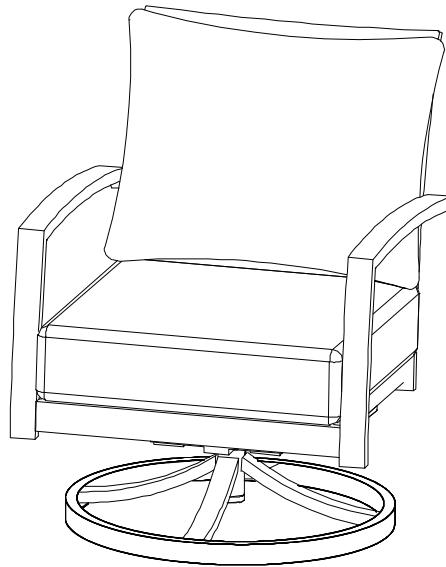


Item #1004 415 336
Model # 3022-CM4-SW

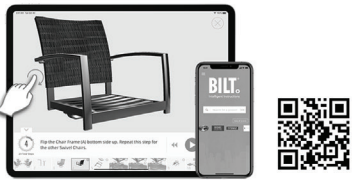
HAMPTON BAY®

USE AND CARE GUIDE




WHITFIELD 2PC ALL MOTION CHAIRS



Before you begin >>>



3D-GUIDED INTERACTIVE ASSEMBLY INSTRUCTIONS CAN BE FOUND IN BILT®
DOWNLOAD THE **FREE** APP



Questions, problems, missing parts? Before returning to the store,
call Hampton Bay Customer Service
8 a.m. - 7 p.m., EST, Monday – Friday, 9 a.m. – 6 p.m., EST, Saturday

1-855-HD-HAMPTON

HAMPTONBAY.COM

THANK YOU

We appreciate the trust and confidence you have placed in Hampton Bay through the purchase of this chair. We strive to continually create quality products designed to enhance your home. Visit us online to see our full line of products available for your home improvement needs. Thank you for choosing Hampton Bay!

Table of Contents

Table of Contents	2	Tools and hardware required	3
Important safety instructions	2	Hardware included	3
Save These Instructions	2	Pre-assembly	4
Read All Instructions Before Use	2	Assembly	5
Warranty	3	Car and Cleaning	7
What is Covered	3		
What is Not Covered	3		
Pre-assembly	3		
Planning Assembly	3		

Important Safety Instructions

SAVE THESE INSTRUCTIONS



WARNING: This chair was made for the explicit purpose of providing outdoor functions and is not to be used as a toy. This product is intended for normal outdoor use; however, the manufacturer recommends storing and / or covering this chair when any formidable / severe weather is approaching.



WARNING: Do not locate this product near open flames. Do not use this product as a support. Do not shake, lean or climb on the product. Children under the age of 10, near the product, should be supervised by a competent adult at all times. This product is NOT intended for commercial use. Commercial use will void the warranty.

READ ALL INSTRUCTIONS BEFORE USE



WARNING: Weight limit for the chairs is 250 lbs (113.39 kg) for each seat.



CAUTION: Do not locate the product near any heat source.



WARNING: This swivel chair unit is heavy, and may require two adults for safe assembly.



CAUTION: When not in use, secure the product in a cool and covered location.



WARNING: Do not place heavy objects on the chair.

Warranty

2 YEAR FRAME WARRANTY

WHAT IS COVERED

We warrant the frame to be free of manufacturing defects to the original purchaser for two years.

WHAT IS NOT COVERED

It remains the customer's responsibility for freight and packaging charges to and from our service center. This warranty does not cover commercial use, hardware, acts of nature, fire, freezing and abusive use. In addition, purchased parts are not covered under this warranty. We reserve the right to make substitutions with similar merchandise, if the model in question is no longer in production.

Contact the Customer Service Team at 1-855-HD-HAMPTON or visit HAMPTONBAY.COM.

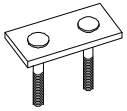
Pre-assembly

PLANNING ASSEMBLY

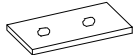


NOTE: Read all instructions before assembly. To avoid damaging this product, assemble it on a soft, non-abrasive surface such as carpet or cardboard.

TOOLS AND HARDWARE REQUIRED



— AA



— BB



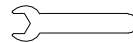
— CC



— DD



— EE



— FF

HARDWARE INCLUDED

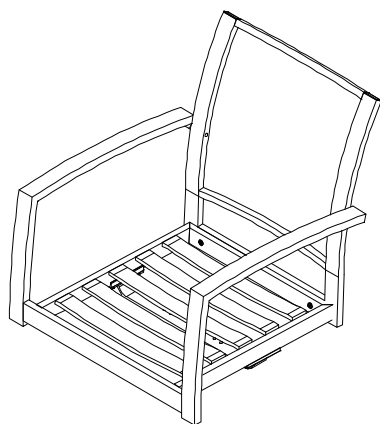


NOTE: Hardware not shown to actual size.

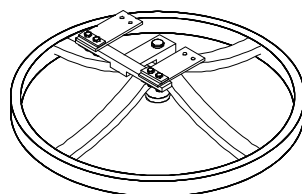
Part	Description	Quantity
AA	Long bolt	4
BB	Rectangle gasket	4
CC	Round gasket	8
DD	Nut	8
EE	Bolt cover	8
FF	Wrench	1

Pre-assembly (continued)

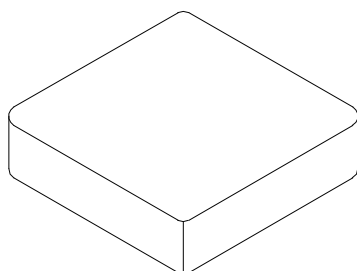
PACKAGE CONTENTS



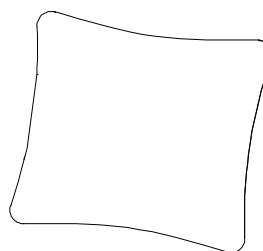
A



B



C

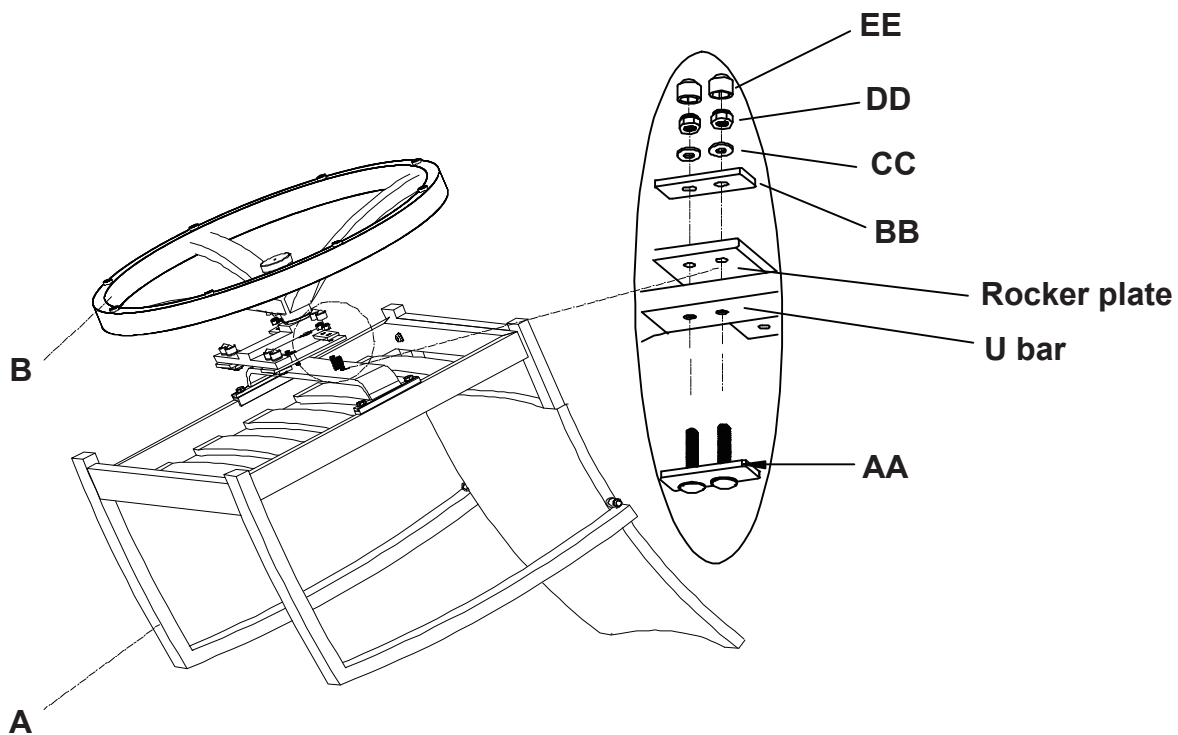


D

Part	Description	Quantity
A	Chair frame	2
B	Base	2
C	Seat cushion	2
D	Back cushion	2

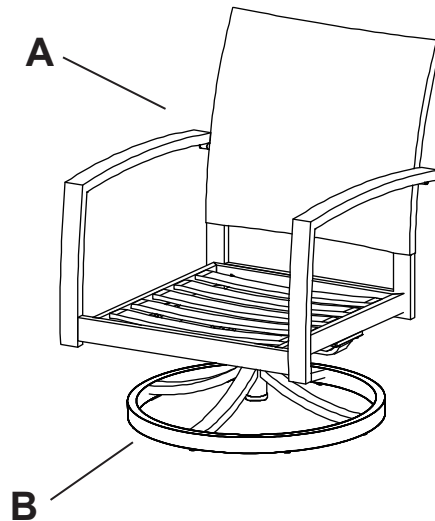
1 Connecting the support bar to the chair bucket

- Place the chair frame (A) on a flat, solid surface.
- Set the swivel base (B) on the chair frame (A). Guide two long bolts (AA) through the holes in the U bar, and through the holes in the rocker plate. Place the rectangle gasket (BB) add a round gasket (CC) and a nut (DD) to the bottom of each long bolt (AA). Hand tighten the nuts (DD) 3-4 revolutions only.
- Repeat the same procedure on the other side of the rocker assembly.
- Fully tighten all bolts including screws preassembled by factory. Cover all bolts with bolt covers (EE).



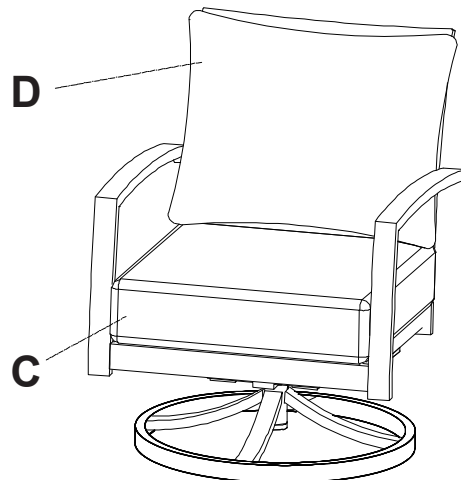
2 Tightening all bolts and connecting the support bar to the swivel base

- Once all bolts are in place, fully tighten all bolts, including screws preassembled by the factory.
- Insert the chair frame (A) into the swivel base (B).



3 Attaching the cushion and checking the chair

- Add seat cushion (C) and back cushion (D).
- Ensure the chair is tightly assembled and stable before use.



NOTE: Repeat steps 1-3 for the second chair.

Care and Cleaning

- For best results, clean the frame and fabric with a damp cloth and dry thoroughly. This will help prevent mildew by removing dirt particles that may accumulate.

- Do not clean with abrasive materials, bleach, or solvents.

- Store the chair in a dry, sheltered place when not in use.

- Keep the chair away from fire, extreme heat, freezing conditions, and inclement weather such as rain, hail, sleet, snow, or wind.



WARNING: FUELS USED IN WOOD OR CHARCOAL BURNING APPLIANCES, AND THE PRODUCTS OF COMBUSTION OF SUCH FUELS, CAN EXPOSE YOU TO CHEMICALS INCLUDING CARBON BLACK, WHICH IS KNOWN TO THE STATE OF CALIFORNIA TO CAUSE CANCER, AND CARBON MONOXIDE, WHICH IS KNOWN TO THE STATE OF CALIFORNIA TO CAUSE BIRTH DEFECTS OR OTHER REPRODUCTIVE HARM. For more information go to: www.P65Warnings.ca.gov.

HAMPTON BAY[®]

Questions, problems, missing parts? Before returning to the store,
call Hampton Bay Customer Service
8 a.m. – 7 p.m., EST, Monday – Friday, 9 a.m. – 6 p.m., EST, Saturday

1-855-HD-HAMPTON

HAMPTONBAY.COM

Retain this manual for future use.