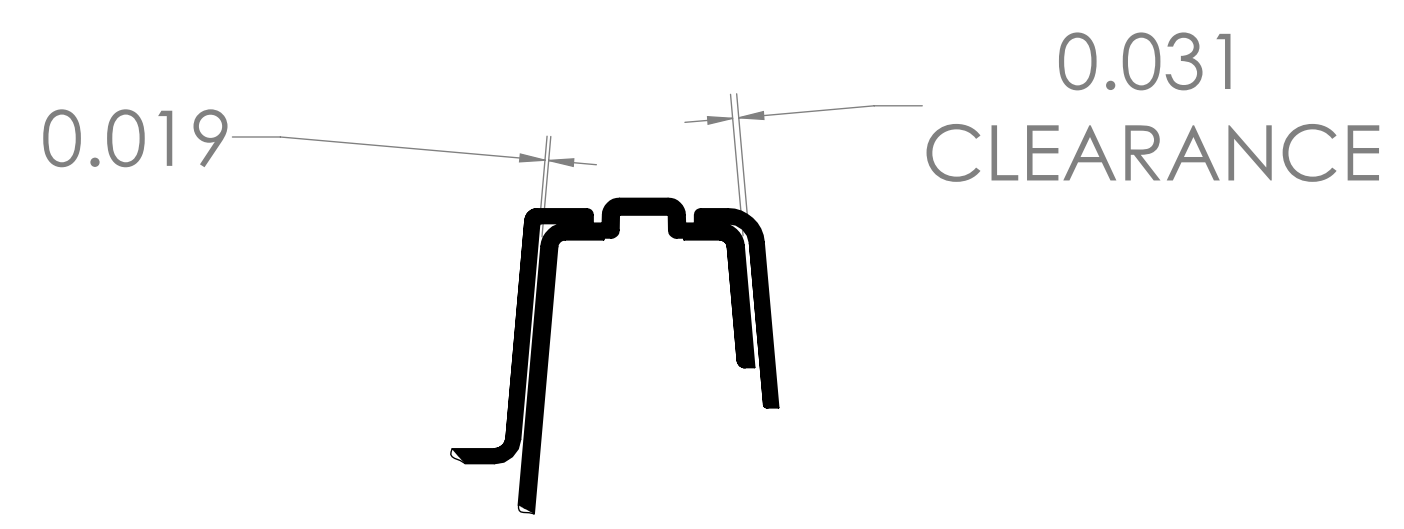
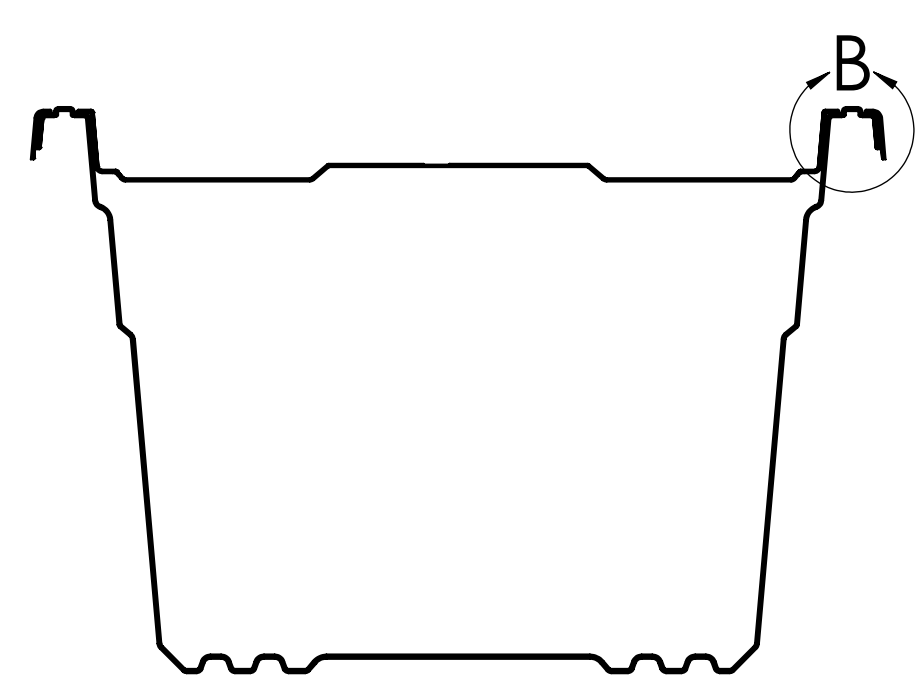
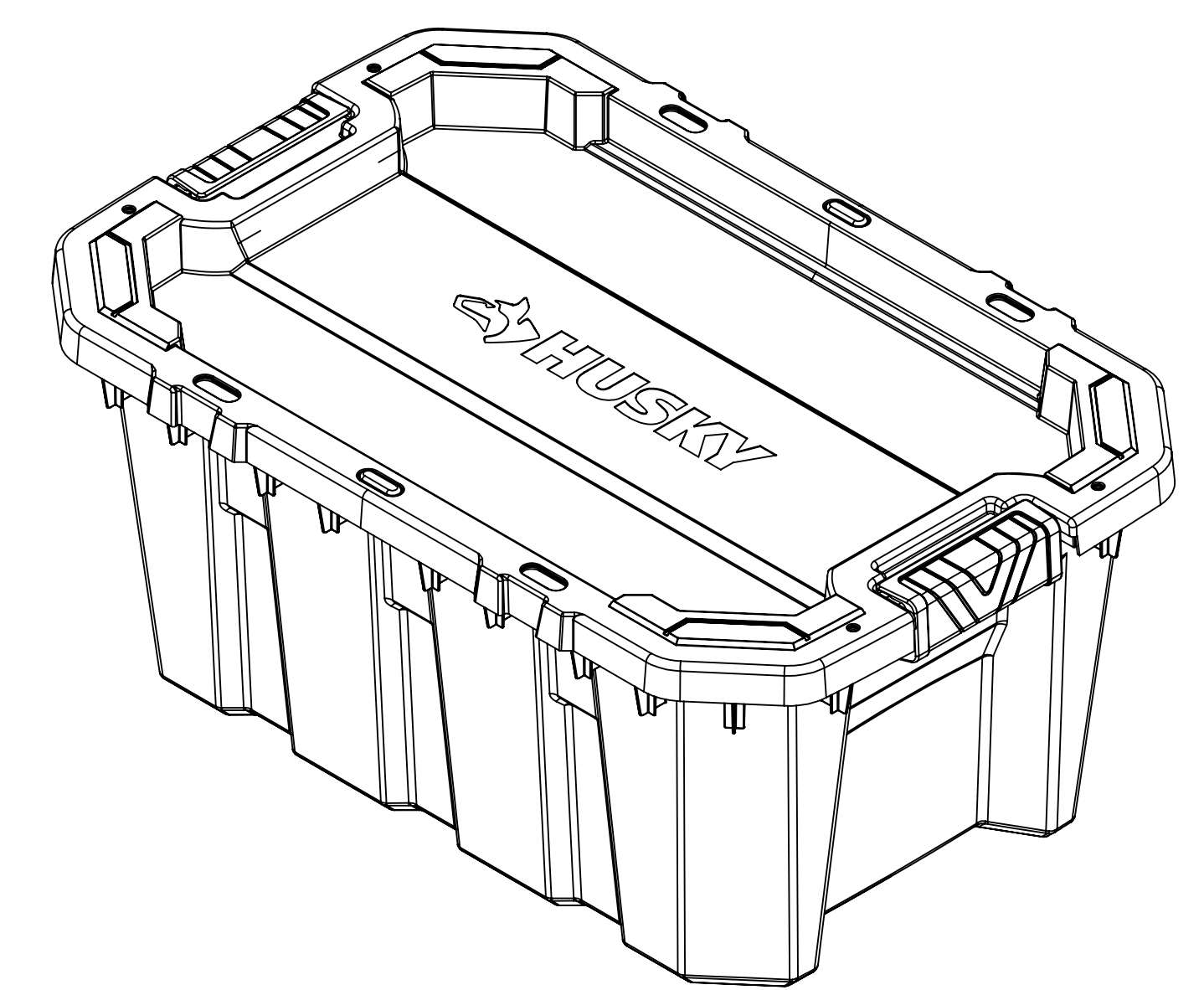
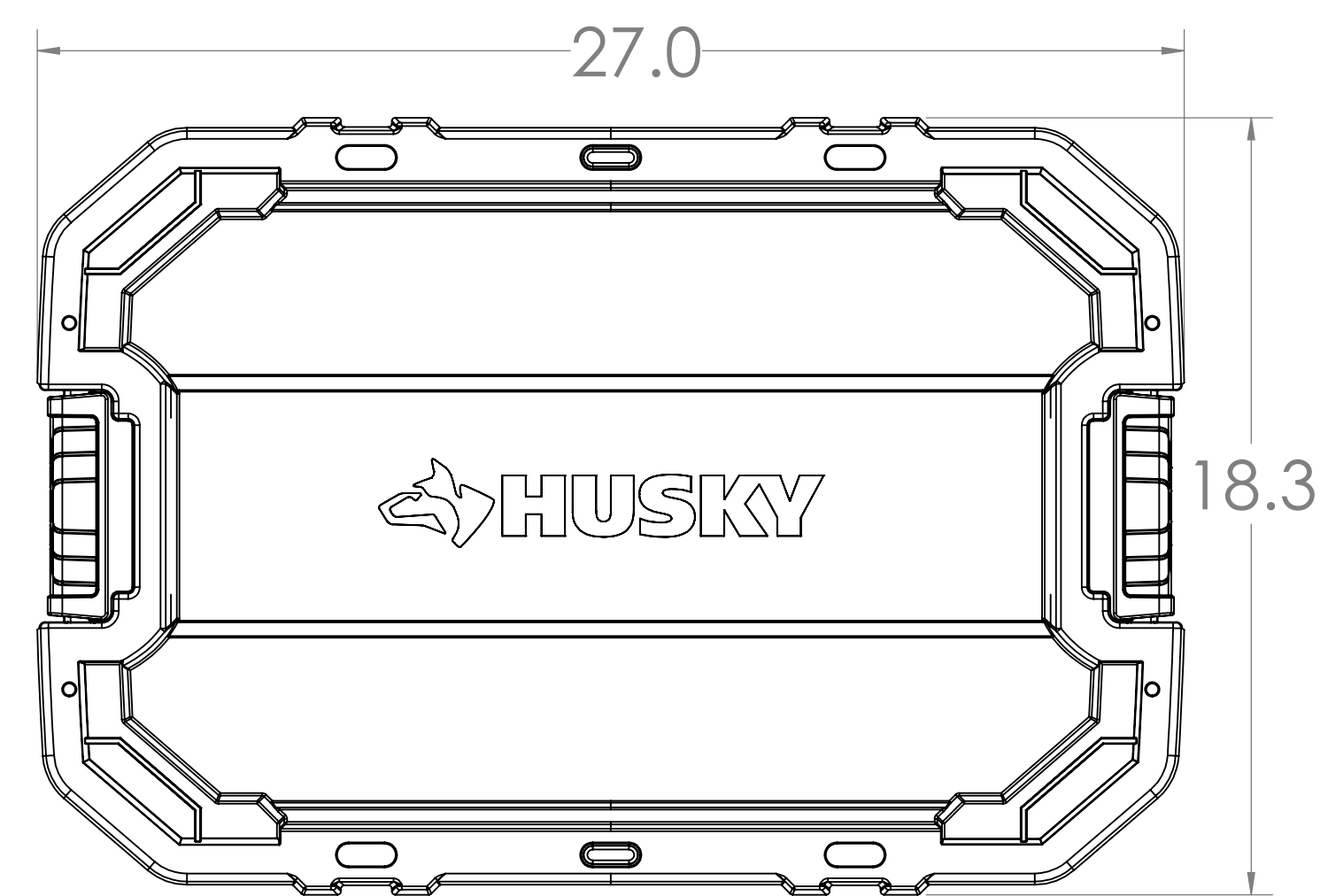


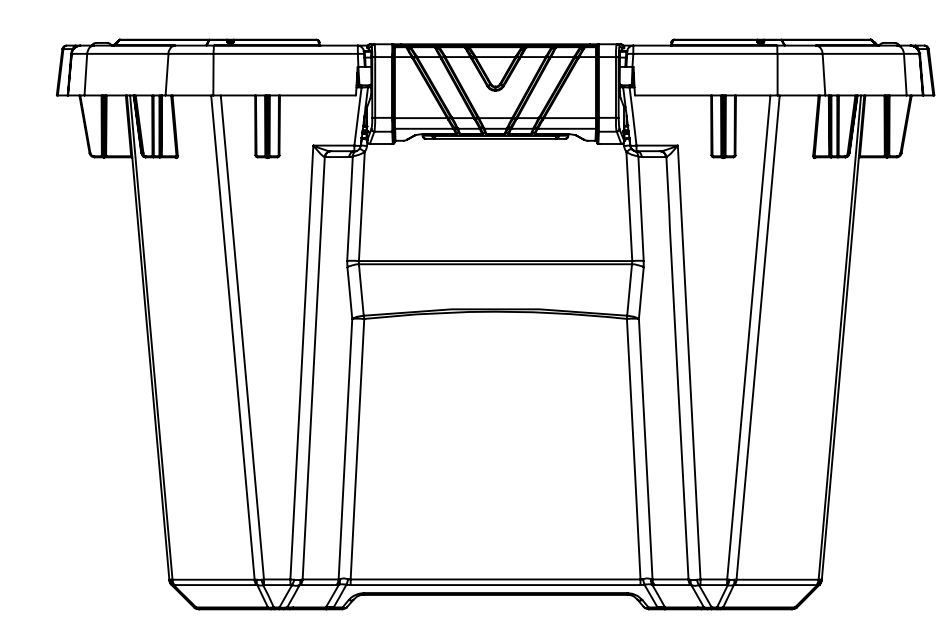
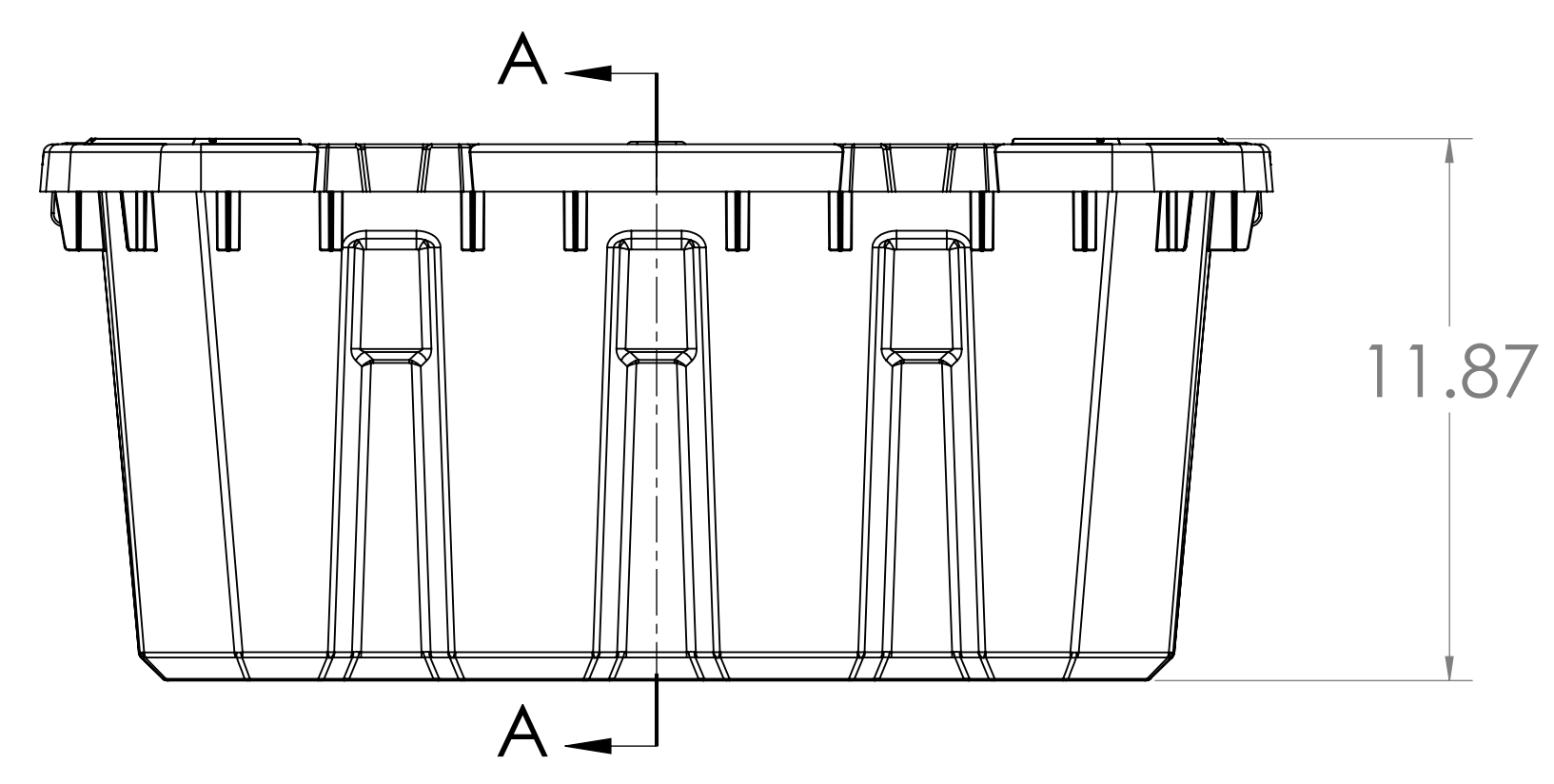
REVISIONS				
ZONE	REV.	DESCRIPTION	DATE	APPROVED



DETAIL B
SCALE 1 : 1



SECTION A-A



ITEM NO.	DESCRIPTION	QTY.
1	15 Gallon Bin	1
2	15 Gallon Lid	1
3	Latch Handle	2

PROPRIETARY AND CONFIDENTIAL
THE INFORMATION CONTAINED IN THIS DRAWING IS THE SOLE PROPERTY OF CREATIVE PLASTICS CONCEPTS. ANY REPRODUCTION IN PART OR AS A WHOLE WITHOUT THE WRITTEN PERMISSION OF CREATIVE PLASTICS CONCEPTS IS PROHIBITED.

UNLESS OTHERWISE SPECIFIED:	NAME	DATE
DIMENSIONS ARE IN INCHES	DRAWN	
TOLERANCES:	CHECKED	
FRACTIONAL ±	ENG APPR.	
ANGULAR MATCH ±	MFG APPR.	
TWO PLACE DECIMAL ±	Q.A.	
THREE PLACE DECIMAL ±	COMMENTS:	
INTERPRET GEOMETRIC TOLERANCING PER:		
MATERIAL		
PP Homopolymer		
FINISH		
NEXT ASSY		
USED ON		
APPLICATION		

CREATIVE PLASTIC
C.O.P.C. P.O.

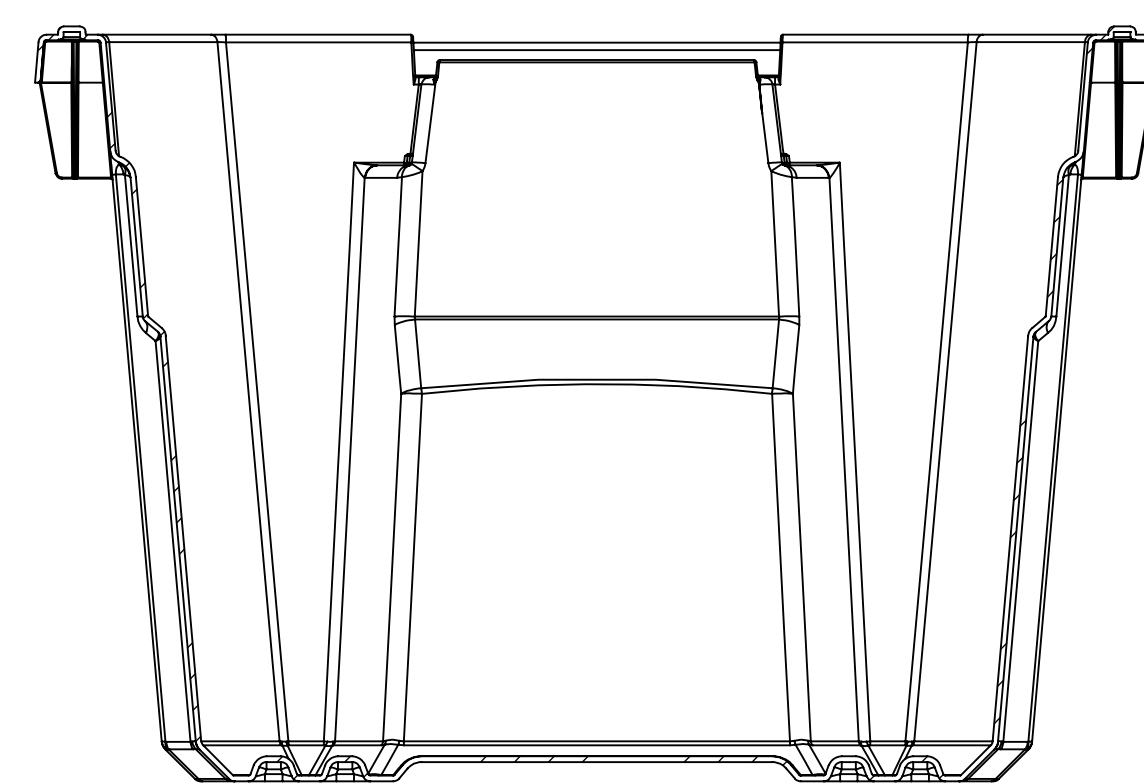
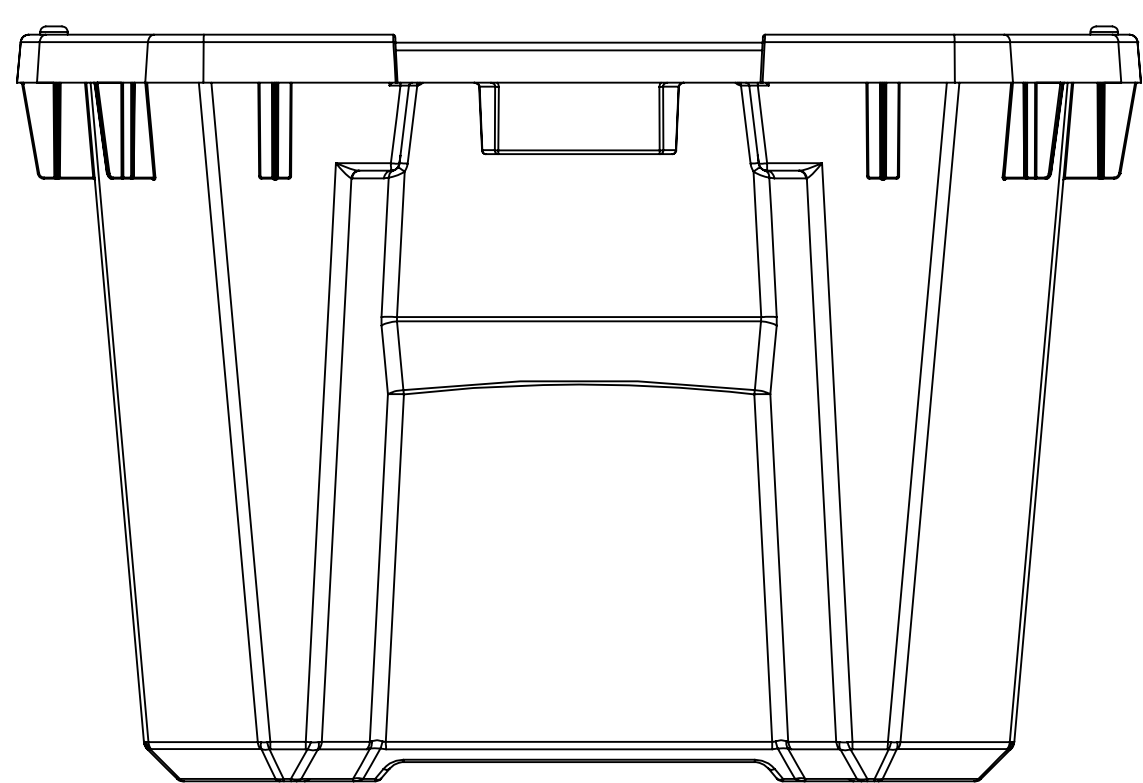
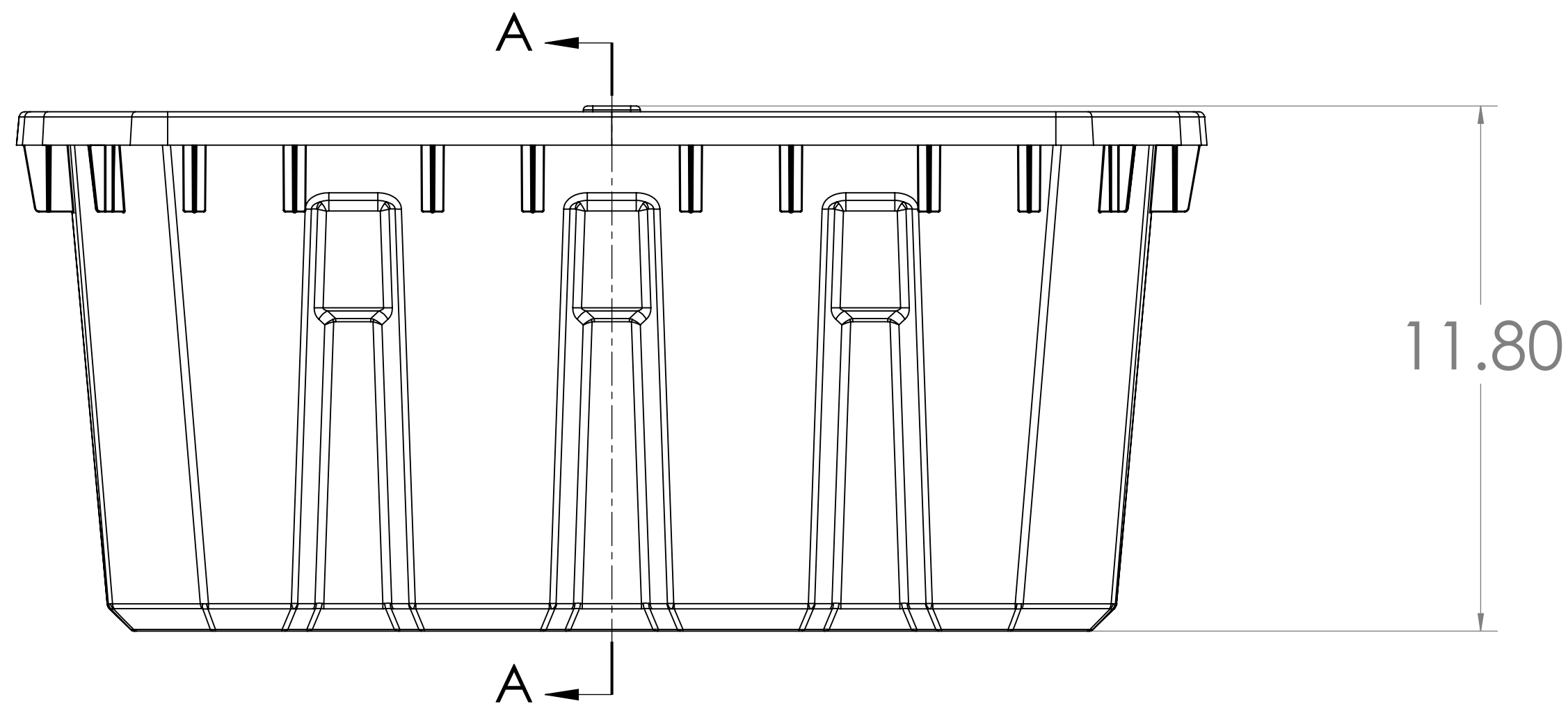
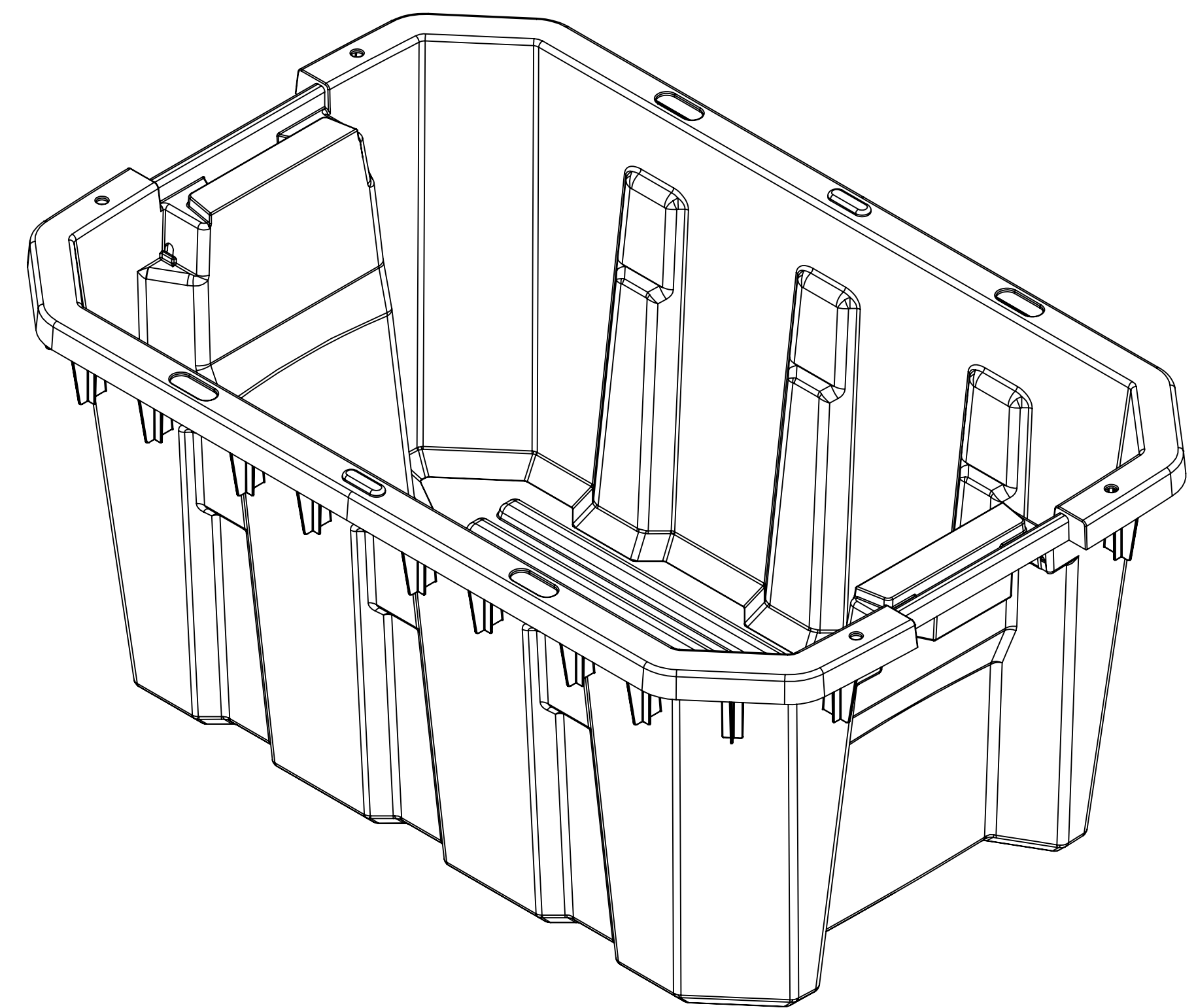
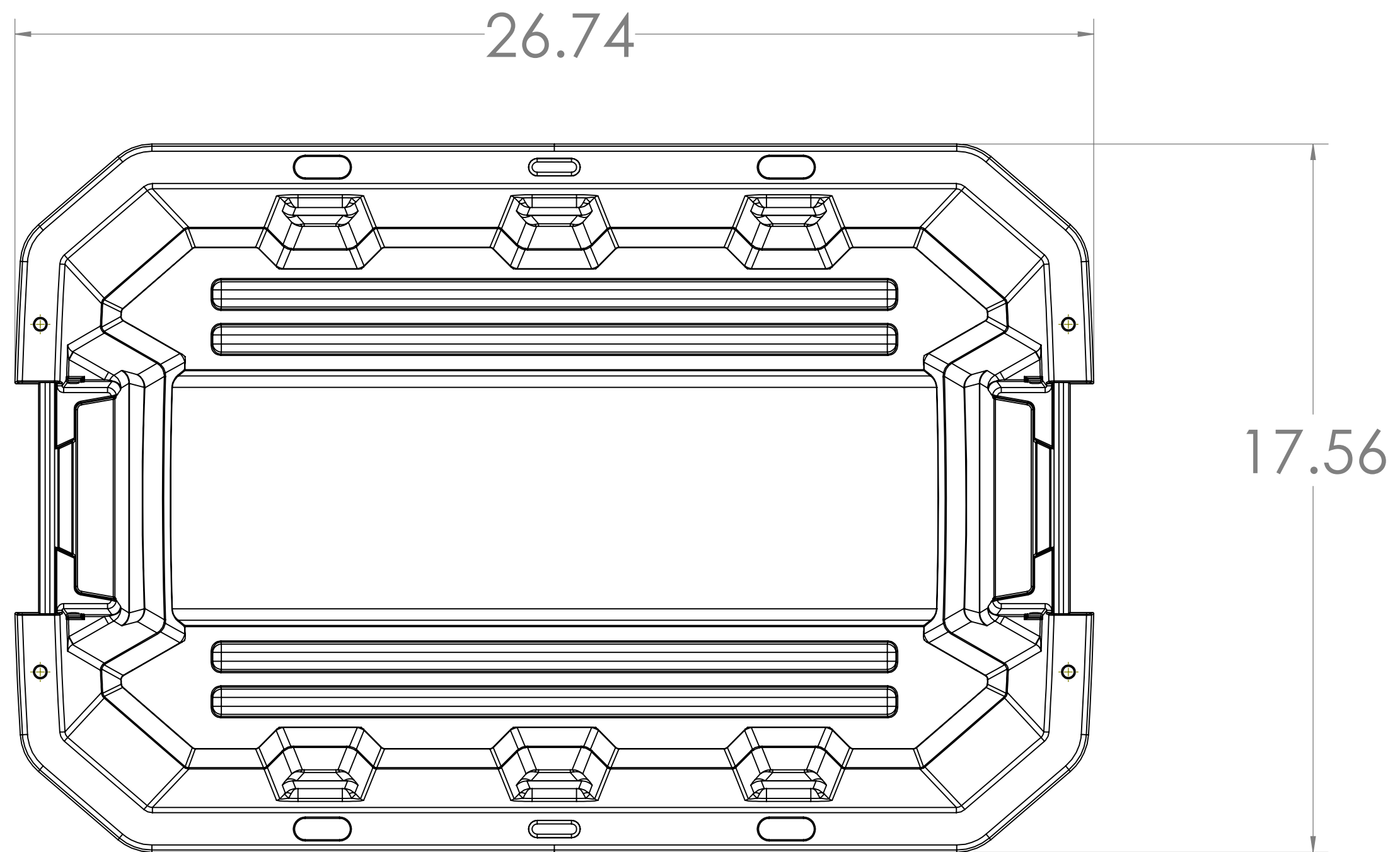
TITLE:
15 Gallon Assembly

SIZE DWG. NO. REV
D 7814_15 Gallon Assembly_Home Depot

SCALE: 1:4 WEIGHT: SHEET 1 OF 1

7814_15 Gallon Assembly_Home Depot

REVISIONS				
ZONE	REV.	DESCRIPTION	DATE	APPROVED



SECTION A-A
SCALE 1 : 3

Bin Holding Volume: 15.03 Gallons

ITEM NO.	DESCRIPTION	QTY.
1	15 Gallon Bin	1

PROPRIETARY AND CONFIDENTIAL
THE INFORMATION CONTAINED IN THIS DRAWING IS THE SOLE PROPERTY OF CREATIVE PLASTICS CONCEPTS. ANY REPRODUCTION IN PART OR AS A WHOLE WITHOUT THE WRITTEN PERMISSION OF CREATIVE PLASTICS CONCEPTS IS PROHIBITED.

UNLESS OTHERWISE SPECIFIED:	NAME	DATE
DIMENSIONS ARE IN INCHES	DRAWN	
TOLERANCES:	CHECKED	
FRACTIONAL ±	ENG APPR.	
ANGULAR MATCH ±	MFG APPR.	
TWO PLACE DECIMAL ±	Q.A.	
THREE PLACE DECIMAL ±	COMMENTS:	
INTERPRET GEOMETRIC TOLERANCING PER:		
MATERIAL:		
PP Homopolymer		
FINISH:		
APPLICATION:		

CREATIVE PLASTIC
C.O.P.C. P.O.

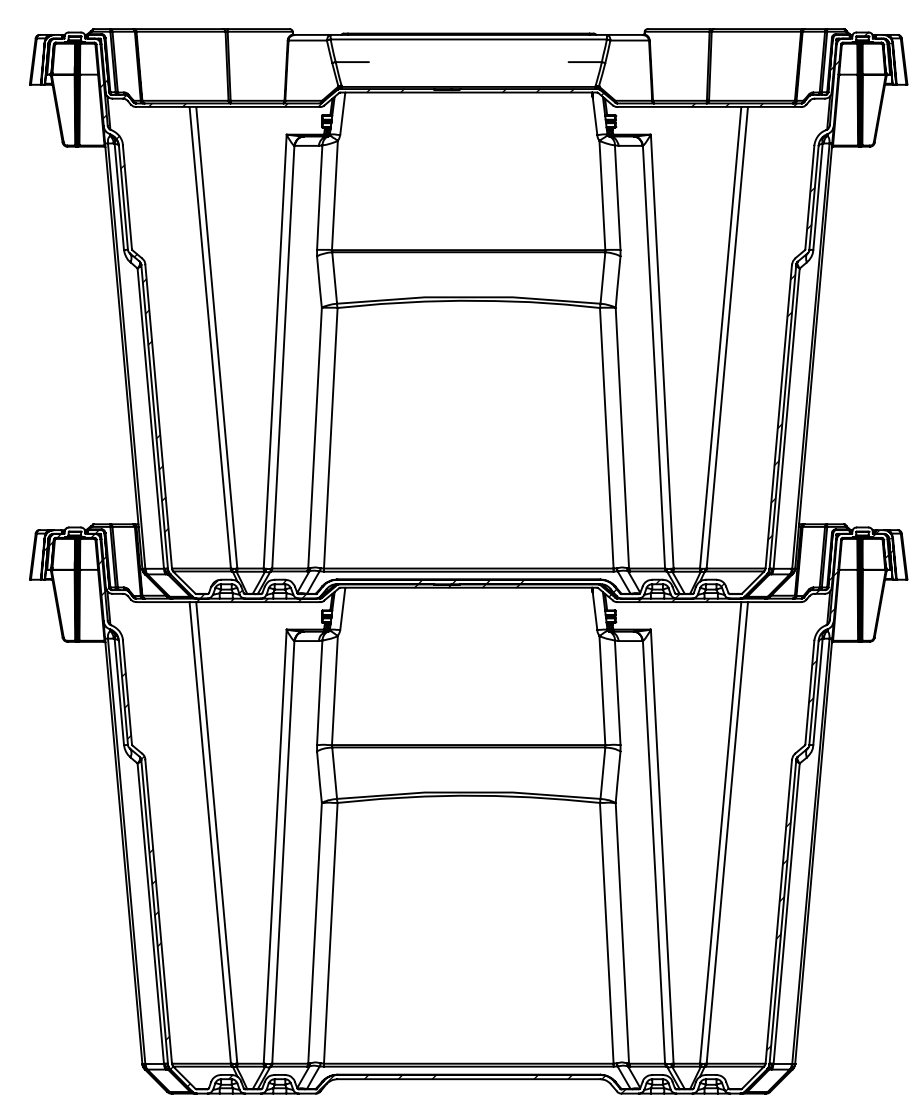
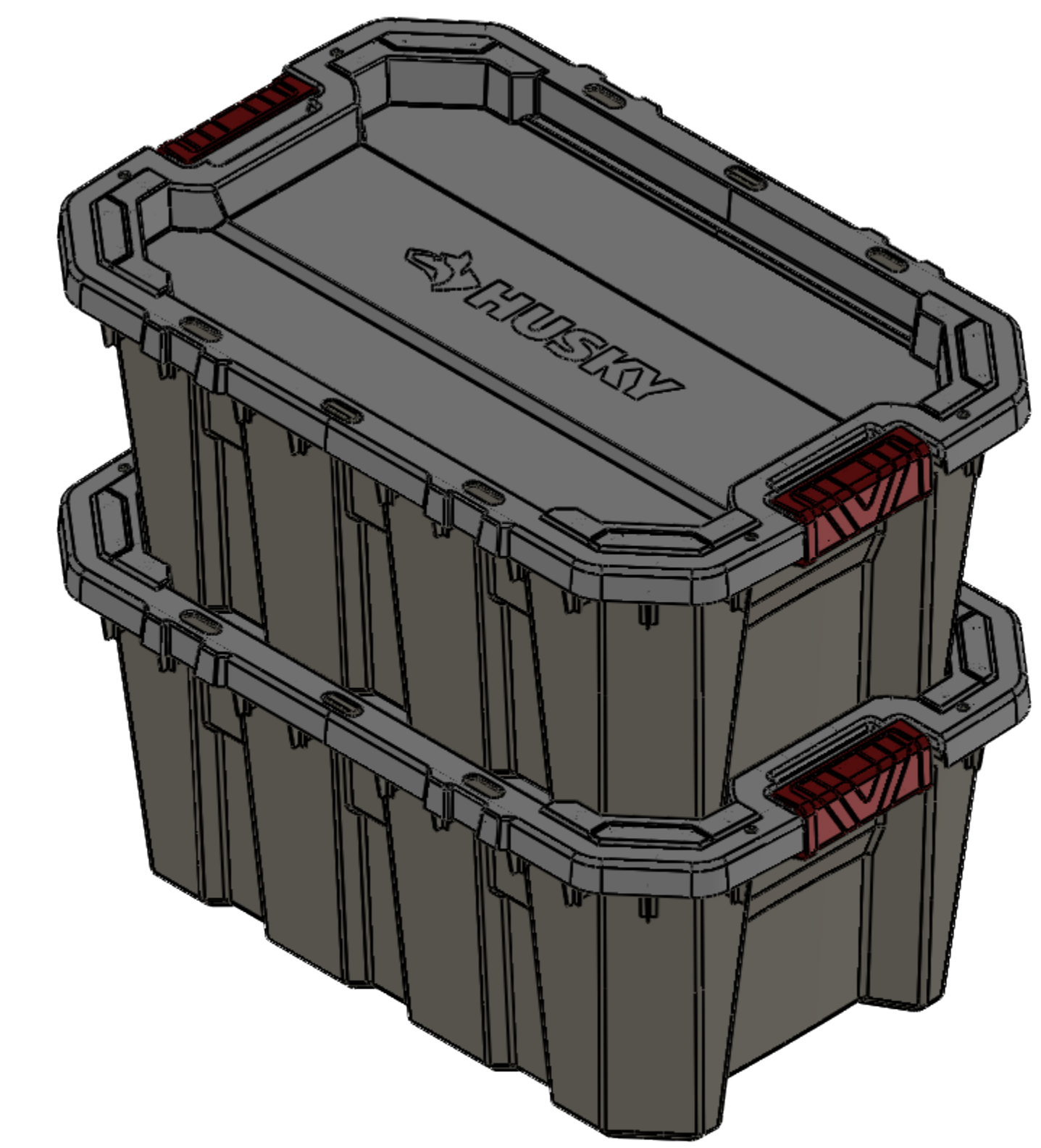
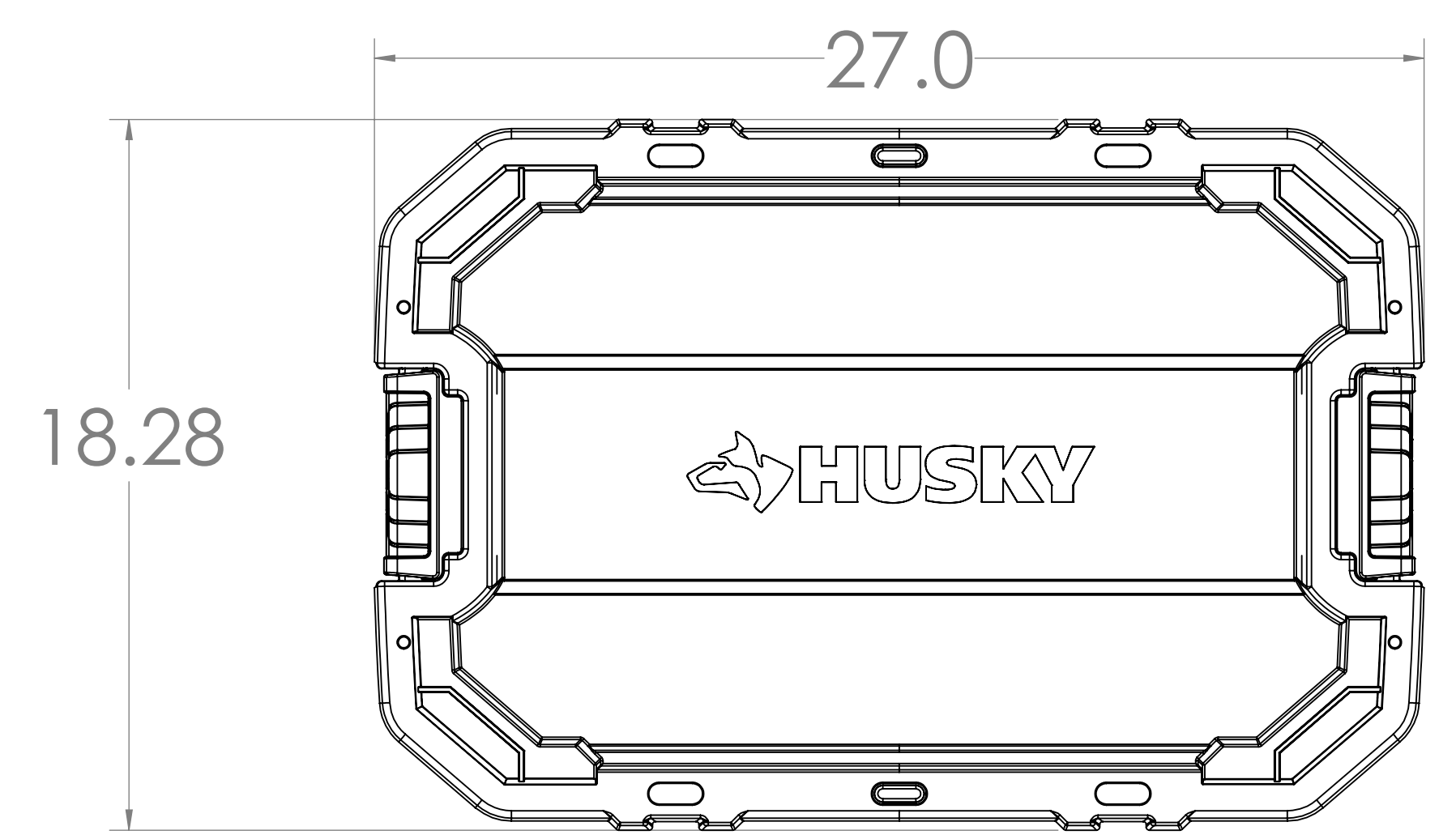
TITLE:
15 Gallon Bin

SIZE DWG. NO. REV
D 7814_15 Gallon Bin_Home Depot

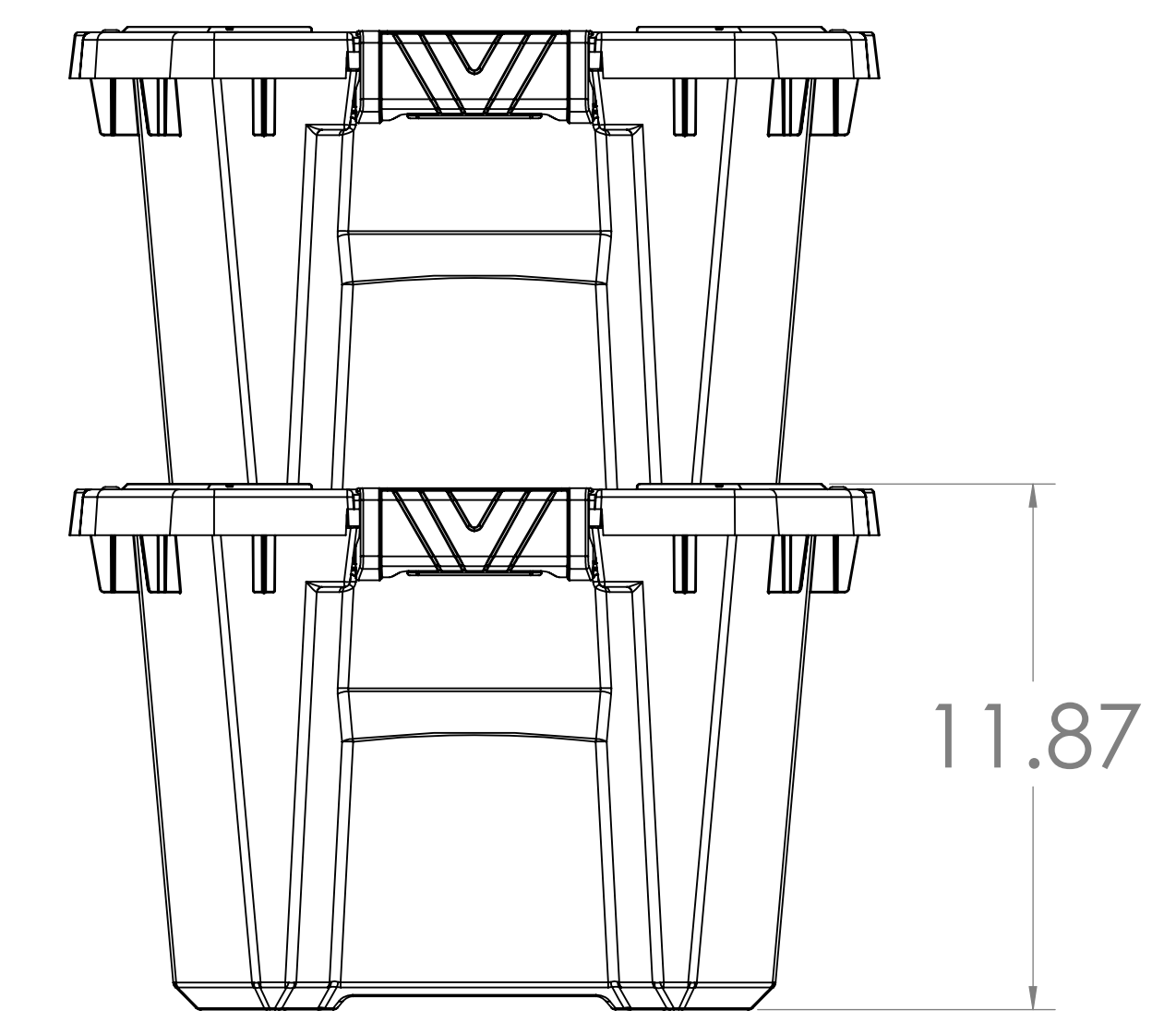
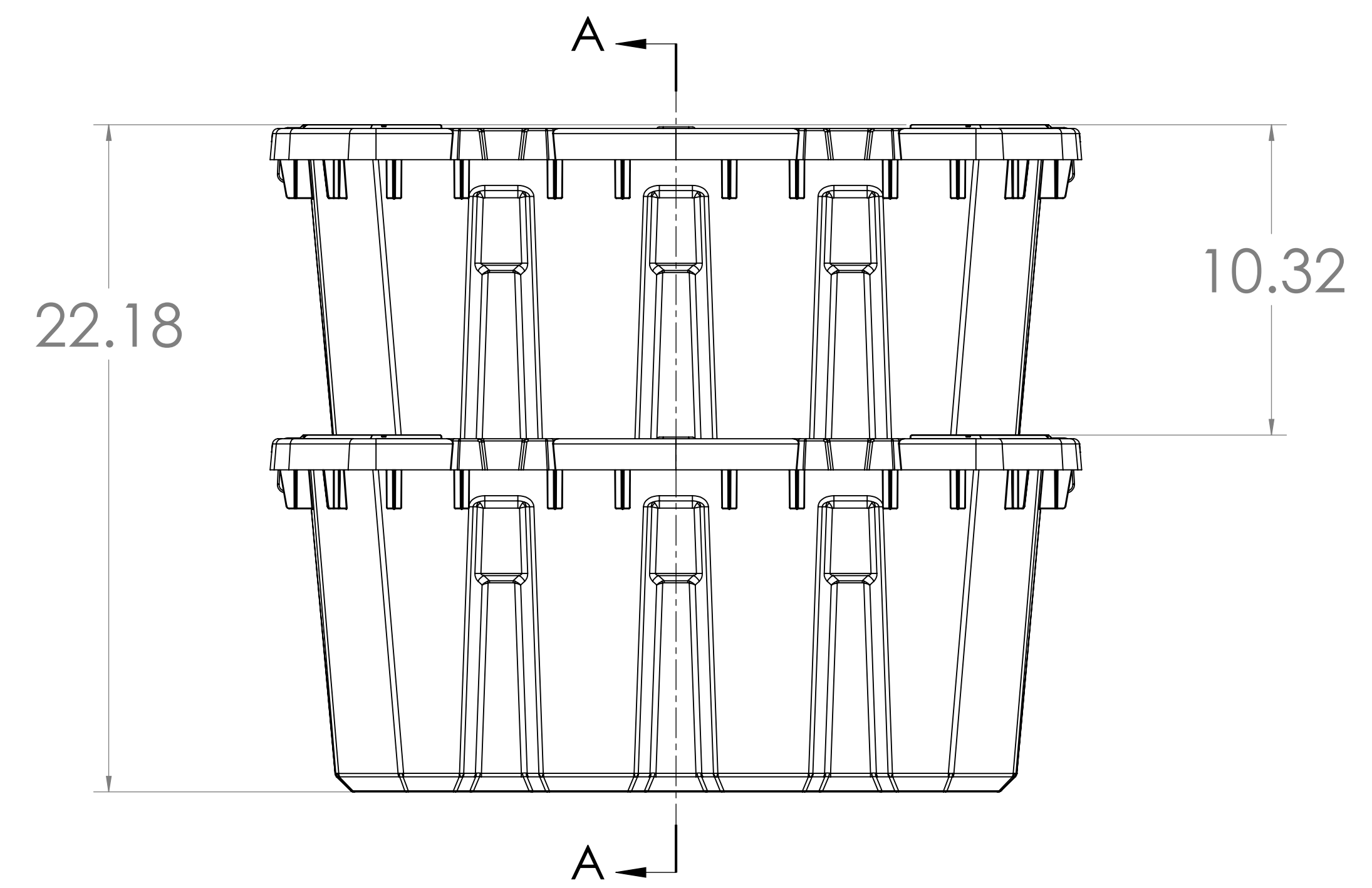
SCALE: 1:4 WEIGHT: SHEET 1 OF 1

7814_15 Gallon Bin_Home Depot

REVISIONS				
ZONE	REV.	DESCRIPTION	DATE	APPROVED



SECTION A-A



ITEM NO.	DESCRIPTION	QTY.
1	15 Gallon Bin	2
2	15 Gallon Lid	2
3	Latch Handle	4

CREATIVE PLASTIC
C.O.P.C.™

TITLE: 15 Gallon Bins Stacked

SIZE DWG. NO. 7814_15 Gallon Bin and Lid Stacking Assembly_2 Stacked Assemblies_Home Depot
SCALE: 1/4"=1'-0" WEIGHT: SHEET 1 OF 1

UNLESS OTHERWISE SPECIFIED:
DIMENSIONS ARE IN INCHES
TOLERANCES:
FRACTIONAL ±
ANGULAR MATCH ± BEND ±
TWO PLACE DECIMAL ±
THREE PLACE DECIMAL ±

INTERPRET GEOMETRIC TOLERANCING PER:
MATERIAL: PP Homopolymer
FINISH:

PROPRIETARY AND CONFIDENTIAL
THE INFORMATION CONTAINED IN THIS DRAWING IS THE SOLE PROPERTY OF CREATIVE PLASTICS CONCEPTS. ANY REPRODUCTION IN PART OR AS A WHOLE WITHOUT THE WRITTEN PERMISSION OF CREATIVE PLASTICS CONCEPTS IS PROHIBITED.

DRAWN: _____
CHECKED: _____
ENG APPR: _____
MFG APPR: _____
Q.A. _____
COMMENTS:

NAME: _____ DATE: _____

APPLICATION: _____

NEXT ASSY: _____ USED ON: _____

7814_15 Gallon Bin and Lid Stacking Assembly_2 Stacked Assemblies_Home Depot