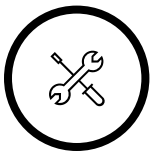


What tools do I need to install Ledgendary Crown™?

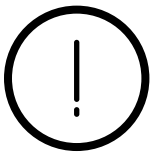
Here is the basic list of tools you will need to install moulding:

- Miter box and miter saw or compound miter saw
- 6d Finishing nails, nail set and a hammer or pneumatic finish nailer/nail gun
- Tape measure
- Framing square
- Protractor
- Utility knife
- Wood filler and glue
- Ladder(s)
- Clamps
- Pencil/pen and paper
- Safety equipment (safety glasses, hearing protection)



Handy Tip

Using a compound miter saw and a pneumatic finish nailer will not only make the installation process easier, it will also speed up the time required for installation. If you don't own these tools or want to purchase these tools, they can be rented at THE HOME DEPOT RENTAL CENTER.



Safety Tip

Always wear eye, ear and respiratory protection when doing any home improvement project. Remember safety first.

How Much Moulding Do I Need?

To determine the amount of Ledgeary Crown needed for your project follow these steps:

1. Draw a floor plan of your room using the grid on page 3.
2. Measure each wall and note it on your plan. [Fig 1.]
3. Identify each corner in the room; determine the angle using the protractor. [Fig 2.]
4. Add all of the wall lengths together to get the amount of Ledgeary Crown moulding and cleat you will need to purchase.

Remember to always add 15% for cutting mistakes and waste.

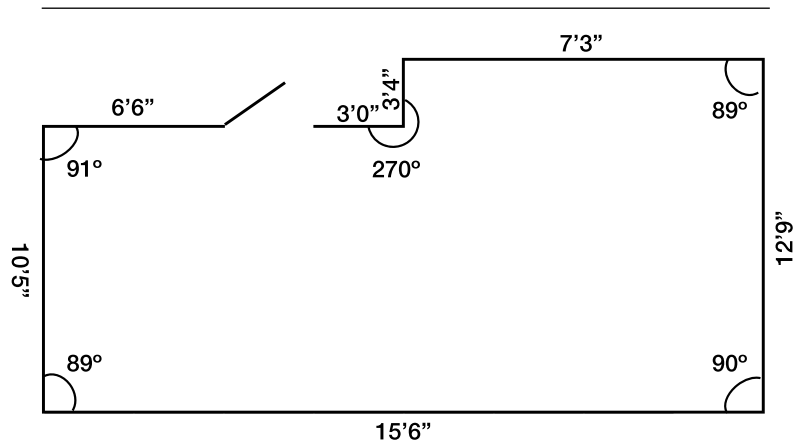


Fig 1.

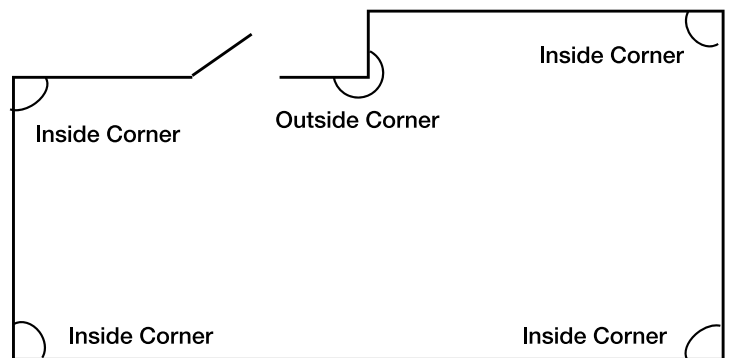
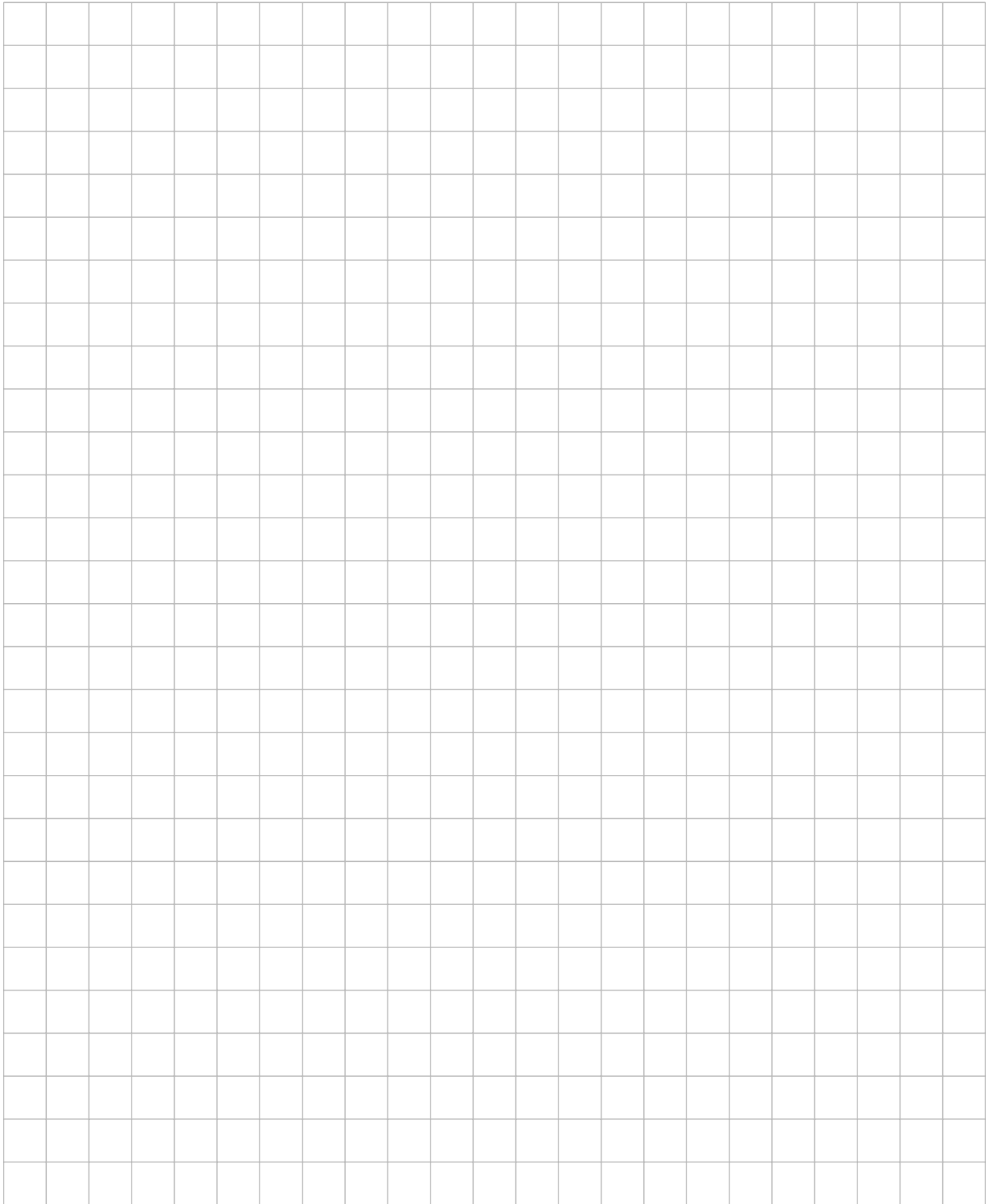


Fig 2.



Creating Templates for an Easier Installation with a Compound Miter Saw

1. Cut two lengths of crown moulding about 16 inches long. Set the crown moulding on a flat service with the top edges facing each other. Label the pieces as follows [Fig 3.];

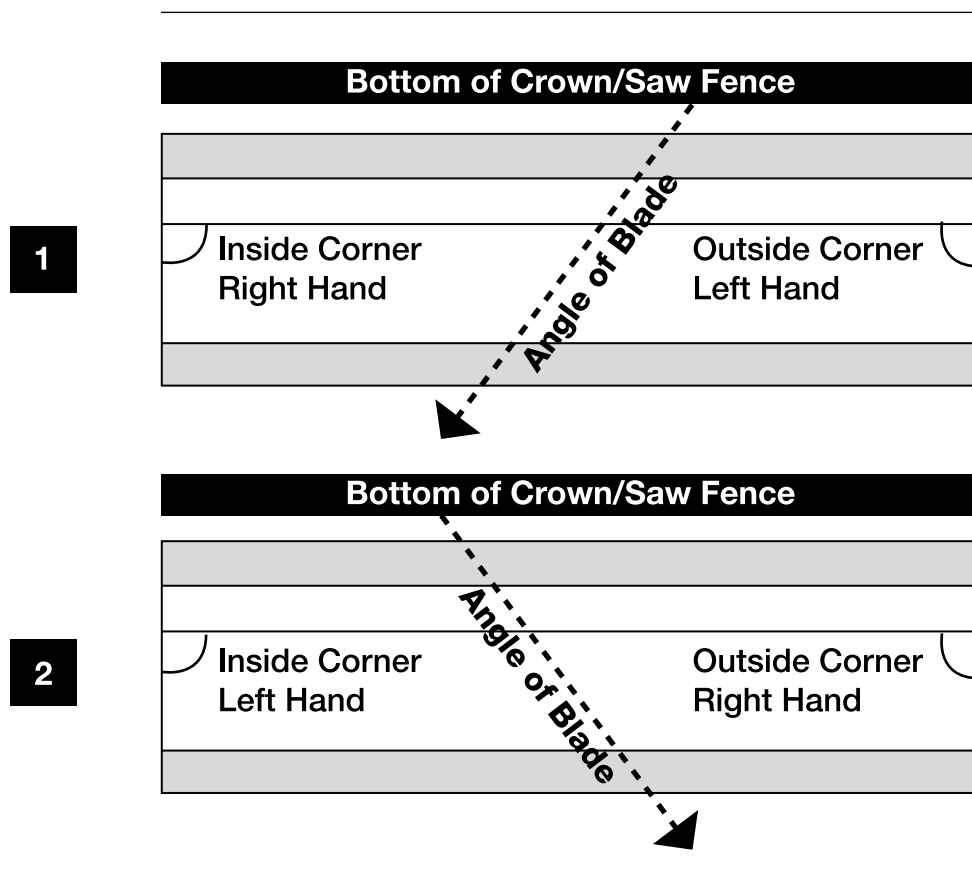


Fig 3.

2. Since Ledgendarly Crown has a 38 degree spring angle, set your miter setting to 31.6 degrees to the left. Set you bevel at 33.9 degrees to the left. Place the moulding flat on the saw table. Cut the Right Hand Cope/Left Hand Miter templates. Without moving the bevel setting, swing the miter setting to 31.6 degrees to the right. Once again, place your moulding flat on the saw table. Cut the Left Hand Cope/Right Hand Miter templates.
3. Remember the left and right marked on the template refers to the corner of the wall when you are facing the corner. Hold the templates up to the wall for a quick visual reference or place them against your saw fence for a quick visual angle check.

Creating Templates for an Easier Installation with a Miter Saw

1. Cut two lengths of crown moulding about 16 inches long. Set the crown moulding on a flat surface as shown on the diagram below. Label the pieces as follows [Fig 4.];
2. Set your saw angle to 45 degrees to the left. Hold the bottom of the crown against the saw fence [Fig 5.].
3. Swing your saw angle to 45 degrees to the right. Hold the bottom of the crown against the saw fence.
4. Remember the left and right marked on the template refers to the corner of the wall when you are facing the corner. Hold the templates up to the wall for a quick visual reference or place them against your saw fence for a quick visual angle check.

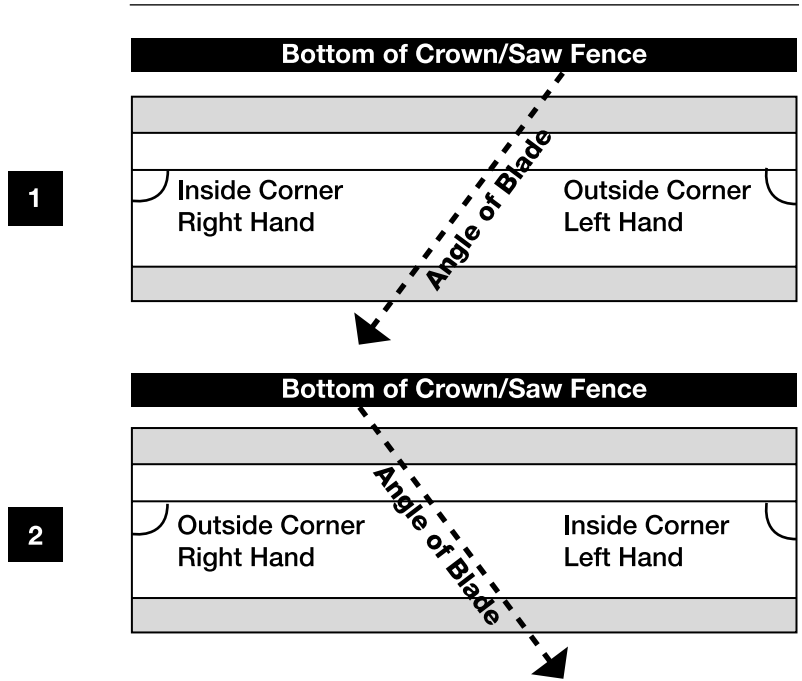


Fig 4.

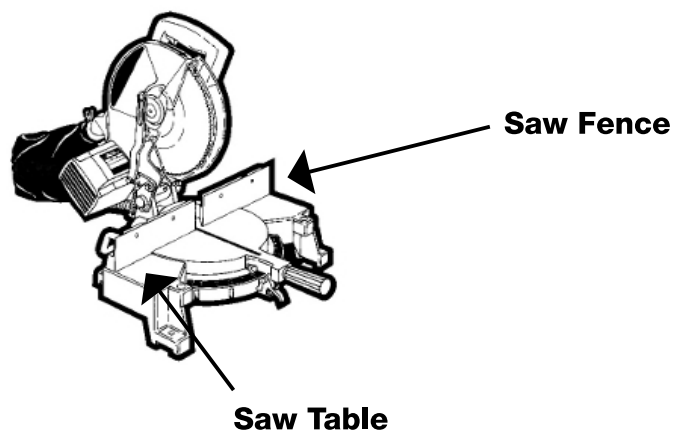


Fig 5.

Installing Legendary Crown Moulding Using a Compound Miter Saw

1. Cut two to three spacer blocks 2-1/2" tall. Starting in a corner, hold the 2-1/2" spacer block tight to the ceiling, placing a mark at the bottom of the block.
2. Proceed to work around the room with the 2-1/2" spacer block, placing a mark at the bottom of the block every two to three feet.
3. Measure the exact distance between the walls where the top of the cleat will be placed.
4. Using this measurement, cut your cleat to length. You should make your cut slightly longer than the actual measurement. You should have to "spring" the cleat into place. [Fig. 6.] Nail your cleat into the wall studs. Remember to cut the end of the cleats with opposing 45 degree miter cuts. [Fig 7. and 8.].
5. For Inside Corners [Fig 7.] use the pre-recorded angles from your floor plan, locate the angles on the crown moulding cutting chart [Fig 9. on page 9] for 38 degree crown moulding. Set your saw to the correct miter and bevel setting for the corners you are installing. Cut your Legendary Crown moulding. Once again, make your cuts slightly long so that you can "spring" your crown into place. [Fig 6.]. The crown moulding should fit firmly into place resting on the top edge of the cleat. Nail your crown moulding into place using 8d or 2-1/2 in trim nails. Do not nail within two feet of the corner at this time.
6. For Outside Corners [Fig 8.] use the pre-recorded angles from your floor plan, locate the angles on the crown moulding cutting chart [Fig 9. on page 9] for 38 degree crown moulding. Set your saw to the correct miter and bevel setting for the corners you are installing. Cut your Legendary Crown moulding. The crown moulding should fit firmly into place resting on the top edge of the cleat. Nail your crown moulding into place using 8d or 2-1/2 in trim nails.
7. Finish installing the cleat and crown working in a counter clockwise rotation. Nail the cornerstogether after fine tuning each joint.

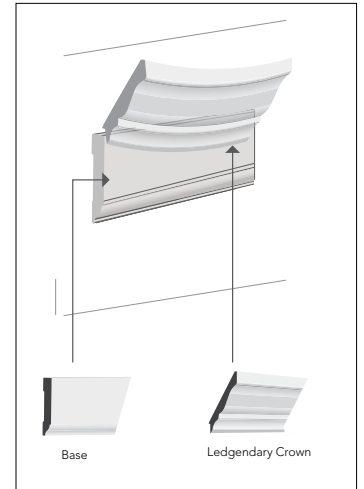


Fig 6.

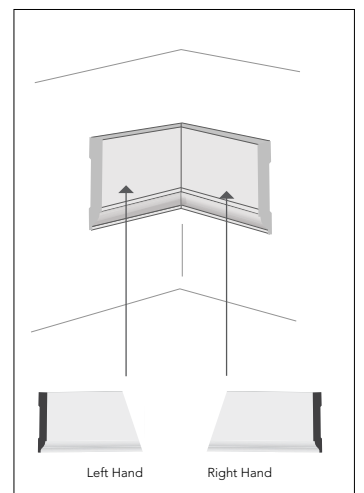


Fig 7.

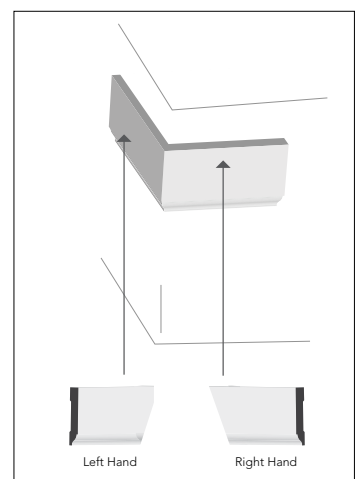


Fig 8.

Installing Ledgendary Crown Moulding Using a Miter Saw or Miter Box

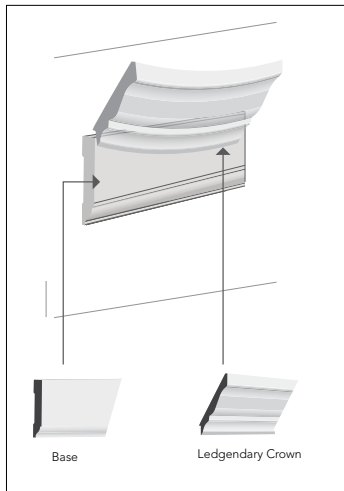


Fig 6.

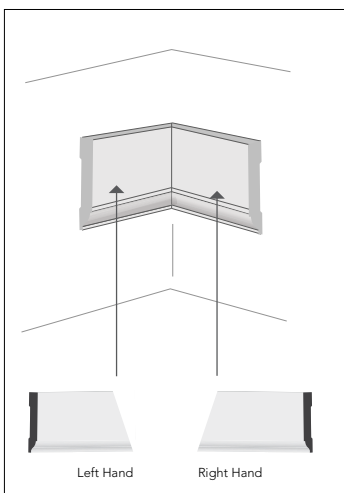


Fig 7.

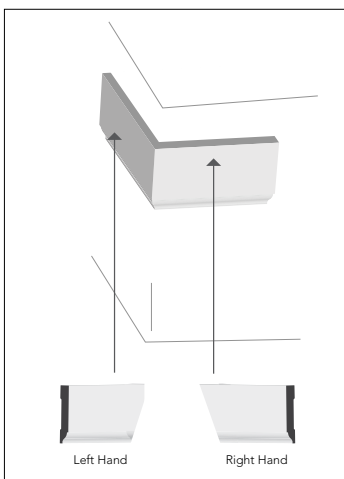


Fig 8.

1. Cut two to three spacer blocks 2-1/2" tall. Starting in a corner, hold the 2-1/2" spacer block tight to the ceiling, placing a mark at the bottom of the block.
2. Proceed to work around the room with the 2-1/2" spacer block, placing a mark at the bottom of the block every two to three feet.
3. Measure the exact distance between the walls where the top of the cleat will be placed. Using this measurement, cut your cleat to length. You should make your cut slightly longer than the actual measurement. You should have to "spring" the cleat into place [Fig 6.]. Nail your cleat into the wall studs. Your first piece of cleat should be installed with square ends. The second piece of cleat should cut square on one end and coped on the other. The coped end should be in the direction of the already installed cleat. Use your handy crown templates to determine the proper cut. Install the second cleat. Repeat this process until the entire cleat is installed.
4. Install your Ledgendary Crown using the same instructions as the cleat.

How to End Ledgendary Crown without a Wall or Corner

If you need to end your Ledgendary crown without turning into a corner or wall, you will need to create a mitered return (270 degree outside corner). Cut a 45 degree miter (similar to an outside corner) [Fig 7.] and install it. Now cut a 45 degree in the opposite direction on the first miter. Adjust your saw blade to a zero degree miter. Place the crown flat and face down on the saw table. Cut through the piece at the point of the miter. Place glue on both miter faces and put the small section of crown in place. Use painters tape to hold the piece in place until the glue dries.

How to Splice Legendary Crown Moulding

If you are installing Legendary crown moulding on a wall longer than 16 feet, you will need to cut a splice/scarf joint to join the two lengths together. The splice/scarf joint creates a vertical seam in the finished installation that allows you to span walls longer than 16 feet. It is recommended that you place the splice/scarf joint over a wall stud for additional strength. Set your saw to either a 45 degree miter on the left (counterclockwise around the round) or right (clockwise) depending on which direction you are installing your Legendary crown. Place your crown upside down on the fence and cut. Remember the first piece you are keeping is on the side which the blade is turned. For the second piece you are keeping is opposite the side in which the blade is turned. Apply glue to the face of the miters and install. For a better looking joint, cut both sides of your splice/scarf without moving the saw settings. Always have enough extra material for trimming the final piece to fit.

How to Finish Legendary Crown Moulding

Painting moulding before installation is always recommended. It is recommended for all pre-primed moulding that you use two coats of high quality paint for outstanding durability and appearance. For additional painting instructions or information refer to **[HomeDepot.com/paint](https://www.homedepot.com/paint)**

Corner Angle	Crown Molding Spring Angle (Deg.)																							
	Horizontal Turns												Vertical Turns											
	34		36		38		41		43		45		34		36		38		41		43		45	
Inside-Outside	M	BT	M	BT	M	BT	M	BT	M	BT	M	BT	M	BT	M	BT	M	BT	M	BT	M	BT		
80 or 280	33.7	39.4	35.0	38.3	36.3	37.1	38.0	35.3	39.1	34.1	40.1	32.8	44.7	25.4	44.0	26.8	43.2	28.1	42.0	30.2	41.1	31.5	40.1	32.8
82 or 278	32.8	38.7	34.1	37.6	35.3	36.5	37.0	34.7	38.1	33.5	39.1	32.3	43.6	25.0	42.9	26.3	42.2	27.7	41.0	29.7	40.1	31.0	39.1	32.3
84 or 276	31.8	38.0	33.1	37.0	34.4	35.8	36.1	34.1	37.1	32.9	38.1	31.7	42.6	24.6	41.9	25.9	41.2	27.2	40.0	29.2	39.1	30.5	38.1	31.7
86 or 274	30.9	37.3	32.2	36.3	33.4	35.2	35.1	33.5	36.2	32.3	37.2	31.1	41.6	24.1	40.9	25.5	40.2	26.8	39.0	28.7	38.1	29.9	37.2	31.1
88 or 272	30.1	36.6	31.3	35.6	32.5	34.5	34.2	32.9	35.2	31.7	36.2	30.6	40.6	23.7	40.0	25.0	39.2	26.3	38.0	28.2	37.1	29.4	36.2	30.6
90 or 270	29.2	35.9	30.4	34.9	31.6	33.9	33.3	32.3	34.3	31.1	35.3	30.0	39.7	23.3	39.0	24.6	38.2	25.8	37.0	27.6	36.2	28.8	35.3	30.0
92 or 268	28.4	35.2	29.6	34.2	30.7	33.2	32.4	31.6	33.4	30.5	34.3	29.4	38.7	22.9	38.0	24.1	37.3	25.3	36.1	27.1	35.2	28.3	34.3	29.4
94 or 266	27.5	34.4	28.7	33.5	29.9	32.5	31.5	31.0	32.5	29.9	33.4	28.8	37.7	22.4	37.0	23.6	36.3	24.8	35.1	26.6	34.3	27.7	33.4	28.8
96 or 264	26.7	33.7	27.9	32.8	29.0	31.8	30.6	30.3	31.6	29.3	32.5	28.2	36.7	22.0	36.1	23.2	35.4	24.3	34.2	26.0	33.4	27.2	32.5	28.2
98 or 262	25.9	32.9	27.1	32.1	28.2	31.1	29.7	29.7	30.7	28.7	31.6	27.6	35.8	21.5	35.1	22.7	34.4	23.8	33.3	25.5	32.4	26.6	31.6	27.6
100 or 260	25.1	32.2	26.3	31.3	27.3	30.4	28.8	29.0	29.8	28.0	30.7	27.0	34.8	21.1	34.2	22.2	33.5	23.3	32.3	24.9	31.5	26.0	30.7	27.0
102 or 258	24.4	31.4	25.5	30.6	26.5	29.7	28.0	28.4	28.9	27.4	29.8	26.4	33.9	20.6	33.2	21.7	32.5	22.8	31.4	24.4	30.6	25.4	29.8	26.4
104 or 256	23.6	30.7	24.7	29.9	25.7	29.0	27.1	27.7	28.1	26.8	28.9	25.8	32.9	20.1	32.3	21.2	31.6	22.3	30.5	23.8	29.7	24.8	28.9	25.8
106 or 254	22.8	29.9	23.9	29.1	24.9	28.3	26.3	27.0	27.2	26.1	28.1	25.2	32.0	19.7	31.4	20.7	30.7	21.7	29.6	23.3	28.9	24.2	28.1	25.2
108 or 252	22.1	29.2	23.1	28.4	24.1	27.6	25.5	26.3	26.4	25.5	27.2	24.6	31.1	19.2	30.4	20.2	29.8	21.2	28.7	22.7	28.0	23.6	27.2	24.6
110 or 250	21.4	28.4	22.4	27.6	23.3	26.9	24.7	25.7	25.5	24.8	26.3	23.9	30.1	18.7	29.5	19.7	28.9	20.7	27.9	22.1	27.1	23.0	26.3	23.9
112 or 248	20.7	27.6	21.6	26.9	22.6	26.1	23.9	25.0	24.7	24.1	25.5	23.3	29.2	18.2	28.6	19.2	28.0	20.1	27.0	21.5	26.3	22.4	25.5	23.3
114 or 246	20.0	26.8	20.9	26.1	21.8	25.4	23.1	24.3	23.9	23.5	24.7	22.7	28.3	17.7	27.7	18.7	27.1	19.6	26.1	20.9	25.4	21.8	24.7	22.7
116 or 244	19.3	26.1	20.2	25.4	21.0	24.7	22.3	23.6	23.1	22.8	23.8	22.0	27.4	17.2	26.8	18.1	26.2	19.0	25.2	20.3	24.6	21.2	23.8	22.0
118 or 242	18.6	25.3	19.5	24.6	20.3	23.9	21.5	22.9	22.3	22.1	23.0	21.4	26.5	16.7	25.9	17.6	25.3	18.5	24.4	19.7	23.7	20.6	23.0	21.4
120 or 240	17.9	24.5	18.7	23.9	19.6	23.2	20.7	22.2	21.5	21.4	22.2	20.7	25.6	16.2	25.0	17.1	24.5	17.9	23.5	19.1	22.9	19.9	22.2	20.7
122 or 238	17.2	23.7	18.0	23.1	18.8	22.5	20.0	21.5	20.7	20.8	21.4	20.0	24.7	15.7	24.2	16.6	23.6	17.4	22.7	18.5	22.1	19.3	21.4	20.0
124 or 236	16.6	22.9	17.4	22.3	18.1	21.7	19.2	20.8	19.9	20.1	20.6	19.4	23.8	15.2	23.3	16.0	22.7	16.8	21.9	17.9	21.2	18.7	20.6	19.4
126 or 234	15.9	22.1	16.7	21.5	17.4	21.0	18.5	20.0	19.2	19.4	19.8	18.7	22.9	14.7	22.4	15.5	21.9	16.2	21.0	17.3	20.4	18.0	19.8	18.7
128 or 232	15.3	21.3	16.0	20.8	16.7	20.2	17.7	19.3	18.4	18.7	19.0	18.1	22.0	14.2	21.5	14.9	21.0	15.7	20.2	16.7	19.6	17.4	19.0	18.1
130 or 230	14.6	20.5	15.3	20.0	16.0	19.5	17.0	18.6	17.6	18.0	18.2	17.4	21.1	13.7	20.7	14.4	20.2	15.1	19.4	16.1	18.8	16.8	18.2	17.4
132 or 228	14.0	19.7	14.7	19.2	15.3	18.7	16.3	17.9	16.9	17.3	17.5	16.7	20.3	13.1	19.8	13.8	19.3	14.5	18.6	15.5	18.0	16.1	17.5	16.7
134 or 226	13.4	18.9	14.0	18.4	14.6	17.9	15.6	17.2	16.1	16.6	16.7	16.0	19.4	12.6	19.0	13.3	18.5	13.9	17.8	14.9	17.2	15.5	16.7	16.0
136 or 224	12.7	18.1	13.4	17.6	14.0	17.2	14.8	16.4	15.4	15.9	15.9	15.4	18.5	12.1	18.1	12.7	17.7	13.3	17.0	14.2	16.5	14.8	15.9	15.4
138 or 222	12.1	17.3	12.7	16.9	13.3	16.4	14.1	15.7	14.7	15.2	15.2	14.7	17.7	11.6	17.3	12.2	16.8	12.7	16.2	13.6	15.7	14.1	15.2	14.7
140 or 220	11.5	16.5	12.1	16.1	12.6	15.6	13.4	15.0	13.9	14.5	14.4	14.0	16.8	11.0	16.4	11.6	16.0	12.2	15.4	13.0	14.9	13.5	14.4	14.0
142 or 218	10.9	15.7	11.4	15.3	12.0	14.9	12.7	14.2	13.2	13.8	13.7	13.3	15.9	10.5	15.6	11.0	15.2	11.6	14.6	12.3	14.1	12.8	13.7	13.3
144 or 216	10.3	14.8	10.8	14.5	11.3	14.1	12.0	13.5	12.5	13.1	12.9	12.6	15.1	10.0	14.7	10.5	14.4	11.0	13.8	11.7	13.4	12.2	12.9	12.6
146 or 214	9.7	14.0	10.2	13.7	10.7	13.3	11.3	12.7	11.8	12.3	12.2	11.9	14.2	9.4	13.9	9.9	13.5	10.4	13.0	11.1	12.6	11.5	12.2	11.9
148 or 212	9.1	13.2	9.6	12.9	10.0	12.5	10.7	12.0	11.1	11.6	11.5	11.2	13.4	8.9	13.1	9.3	12.7	9.8	12.2	10.4	11.8	10.8	11.5	11.2
150 or 210	8.5	12.4	9.0	12.1	9.4	11.8	10.0	11.3	10.4	10.9	10.7	10.5	12.5	8.3	12.2	8.8	11.9	9.2	11.4	9.8	11.1	10.2	10.7	10.5
152 or 208	7.9	11.6	8.3	11.3	8.7	11.0	9.3	10.5	9.7	10.2	10.0	9.8	11.7	7.8	11.4	8.2	11.1	8.6	10.7	9.1	10.3	9.5	10.0	9.8
154 or 206	7.4	10.7	7.7	10.5	8.1	10.2	8.6	9.8	8.9	9.5	9.3	9.2	10.8	7.2	10.6	7.6	10.3	8.0	9.9	8.5	9.6	8.8	9.3	9.2
156 or 204	6.8	9.9	7.1	9.7	7.5	9.4	7.9	9.0	8.2	8.7	8.5	8.5	10.0	6.7	9.8	7.0	9.5	7.4	9.1	7.8	8.8	8.2	8.5	8.5
158 or 202	6.2	9.1	6.5	8.9	6.8	8.6	7.3	8.3	7.6	8.0	7.8	7.8	9.2	6.1	8.9	6.4	8.7	6.7	8.3	7.2	8.1	7.5	7.8	7.8
160 or 200	5.6	8.3	5.9	8.1	6.2	7.9	6.6	7.5	6.9	7.3	7.1	7.1	8.3	5.6	8.1	5.9	7.9	6.1	7.6	6.5	7.3	6.8	7.1	7.1
162 or 198	5.1	7.5	5.3	7.3	5.6	7.1	5.9	6.8	6.2	6.6	6.4	6.4	7.5	5.0	7.3	5.3	7.1	5.5	6.8	5.9	6.6	6.1	6.4	6.4
164 or 196	4.5	6.6	4.7	6.5	4.9	6.3	5.3	6.0	5.5	5.8	5.7	5.6	6.6	4.5	6.5	4.7	6.3	4.9	6.1	5.2	5.9	5.4	5.7	5.6
166 or 194	3.9	5.8	4.1	5.7	4.3	5.5	4.6	5.3	4.8	5.1	5.0	4.9	5.8	3.9	5.7	4.1	5.5	4.3	5.3	4.6	5.1	4.8	5.0	4.9
168 or 192	3.4	5.0	3.5	4.9	3.7	4.7	3.9	4.5	4.1	4.4	4.3	4.2	5.0	3.4	4.9	3.5	4.7	3.7	4.5	3.9	4.4	4.1	4.3	4.2
170 or 190	2.8	4.1	2.9	4.0	3.1	3.9	3.3	3.8	3.4	3.7	3.5	3.5	4.1	2.8	4.0	2.9	3.9	3.1	3.8	3.3	3.7	3.4	3.5	3.5

Fig 9.