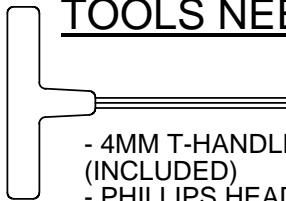


## Model: GNB60

- (1) Seat
- (1) Back
- (2) Sideframes
- (2) Angle braces
- (1) Hardware pack

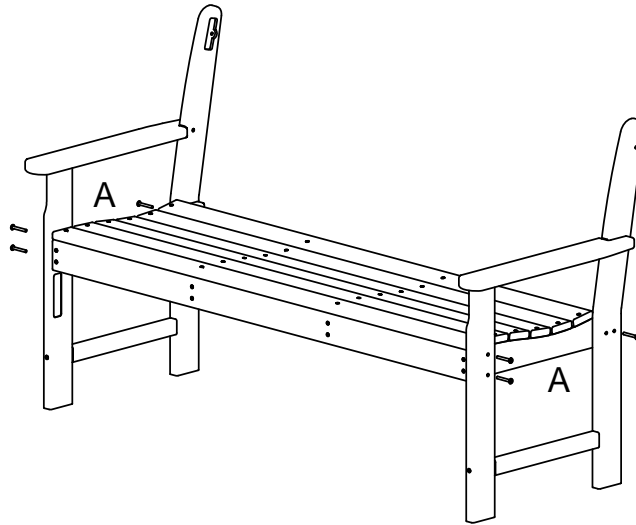
### TOOLS NEEDED



- 4MM T-HANDLE HEX KEY (INCLUDED)
- PHILLIPS HEAD SCREWDRIVER (SCREW GUN RECOMMENDED)

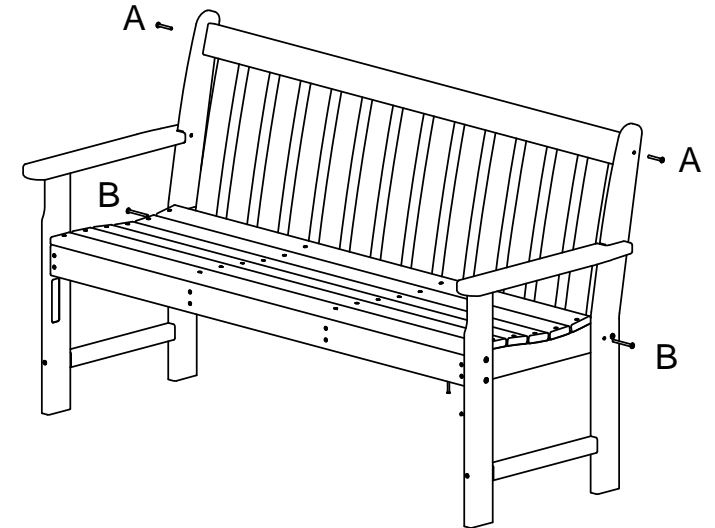
**Step 1**  
Attach sideframes to seat  
using (6) 1 3/4" chair bolts

**Do not tighten screws until last step**



**Step 2**  
- Attach back to seat  
using (2) 1 3/4" chair bolts

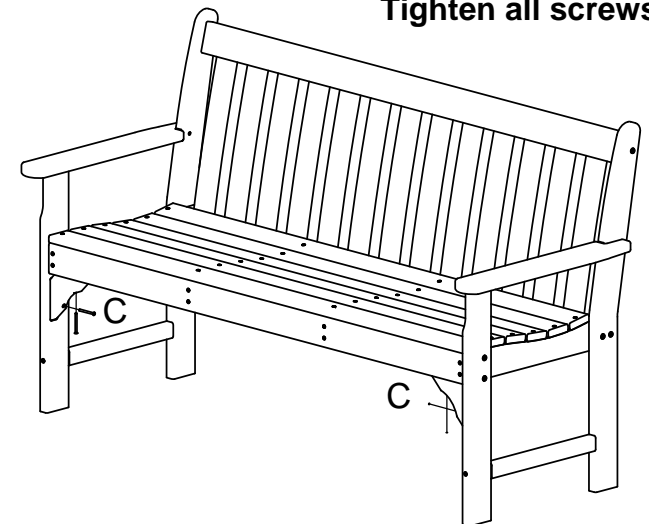
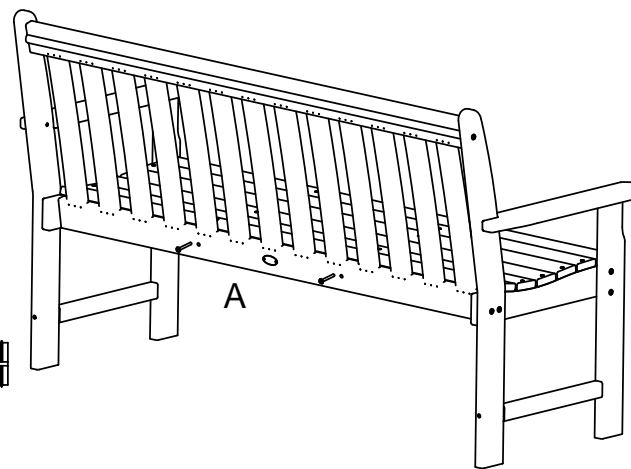
- Attach back to sideframes  
using (2) 2 1/2" chair bolts



**Step 3**  
Attach back to seat  
using (2) 1 3/4" chair bolts

**Step 4**  
Attach angle brace to front leg then seat  
using (4) 8x2" screws

**Tighten all screws**



Qty.	Description
10	A - 1/4-20 X 1-3/4 WAFER SHCS
2	B - 1/4-20 X 2-1/2 WAFER SHCS
4	C - 8 X 2 PHIL FLAT SCREW