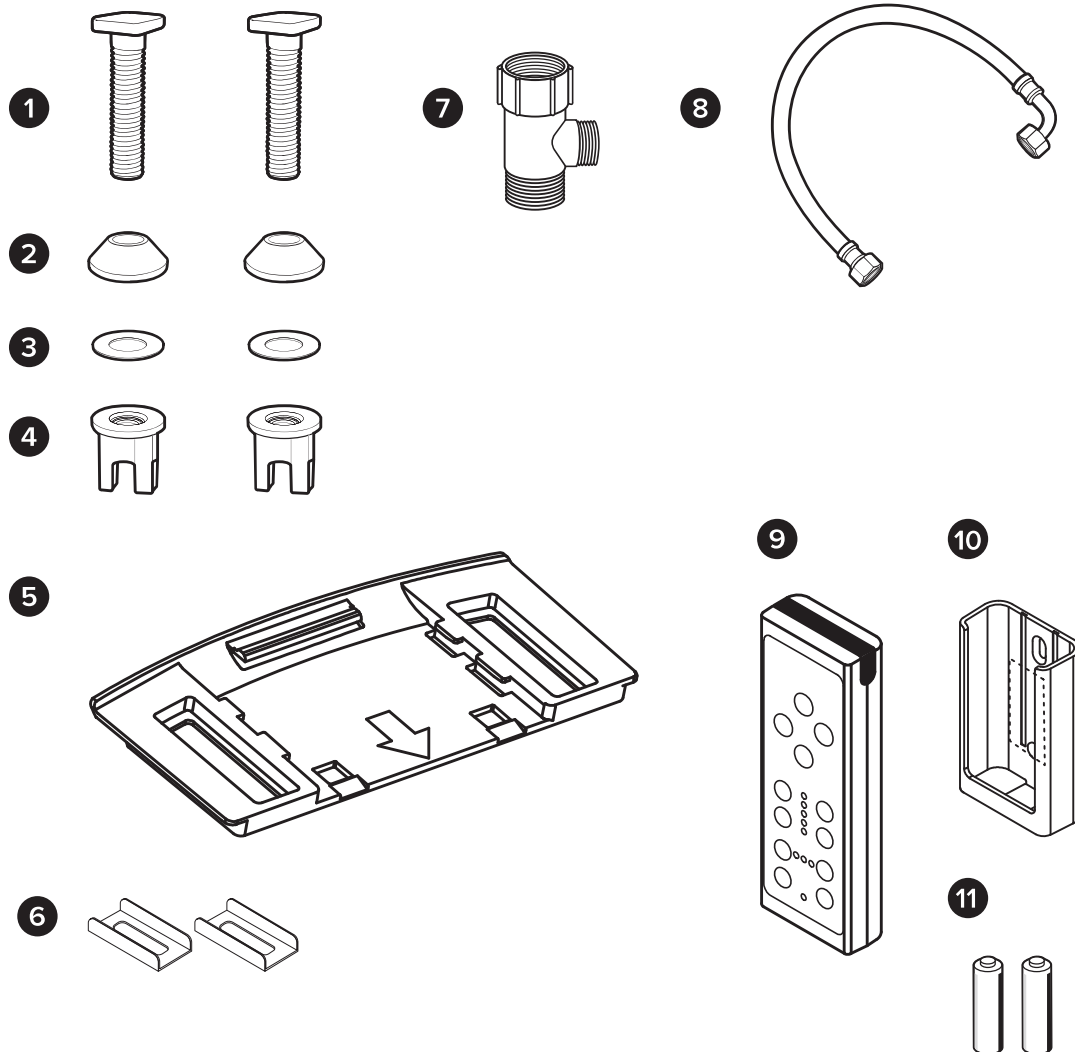


PRODUCT INSTALLATION

INSTALLATION PARTS

1. Mounting Bolt (2)
2. Rubber Cone Washer (2)
3. Flat Washer (2)
4. Nuts (2)
5. Mounting Plate
6. Top Mount Brackets
7. T-Valve Connector with Rubber Washer
8. Bidet Hose
9. Remote Control
10. Remote Control Wall Mount
11. Batteries (2 x AAA)



PRODUCT INSTALLATION (cont.)

BEFORE INSTALLATION



DO NOT PLUG THE PRODUCT IN WHILE THE UNIT IS UPSIDE DOWN

This may cause damage to the internal components.

WATCH OUR INSTALLATION VIDEO

Installation for all Swash products can be found online at brondell.com.

CHECK BOLT SPREAD

This bidet seat can only be installed on toilets with a bolt hole spread of 5.5 inches (see Product Dimensions on Page 7 for more information).

CHECK FOR TOP MOUNT INSTALLATION

If your fixture only has top-side access to the mounting bolts that hold the seat to the toilet, use the Top-Mount Brackets included in the hardware pack (see Page 12).

CHECK FOR A CONCEALED TOILET FILL VALVE

Many modern toilets have sleek designs intended to cover and camouflage plumbing connections, which makes a standard Swash installation difficult or impossible. For this, we recommend using our Alternate Swash Bidet Seat T-Valve, found on brondell.com.

CHECK WATER SUPPLY LINE

Check the line that connects the toilet tank to the water shut off valve. If it is a rigid pipe, you may need to purchase a flexible hose to replace it before installing the Swash. The length of the hose and the size of the connectors will vary.

RESIDUAL MOISTURE IS NORMAL

Every product is tested with pure water during production to ensure the highest quality and performance. It is normal to find a small amount of residual moisture on the product and in the reservoir and filter.

TOOLS

A Phillips head or standard screwdriver may be needed to remove the existing toilet seat and a standard wrench may be needed for tight water supply connections. Teflon tape can be helpful in creating a water-tight seal between plumbing connections.

SWASH INSTALLATION

Please read these instructions carefully before installing the Swash. Failure to do so could result in flooding, leaking or damage to the product.

NOTE: Steps may vary by type of seat and toilet

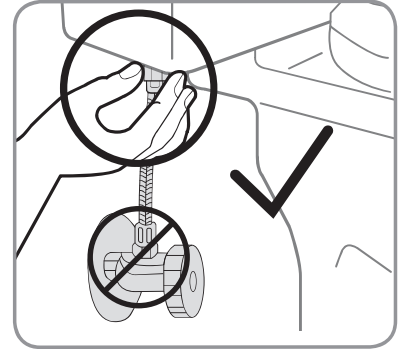
SWASH INSTALLATION (cont.)

1. Existing Toilet Seat Removal

- Lift hinge covers and use a screwdriver to remove the mounting bolts.
- Remove the toilet seat. Keep for future use.

2. Turn Off Water Supply Valve and Flush Toilet

- Turn water valve off to stop the flow of water.
- Flush toilet and hold down handle to completely empty tank.
- Disconnect water supply hose from toilet tank. Do not disconnect from the water supply valve.

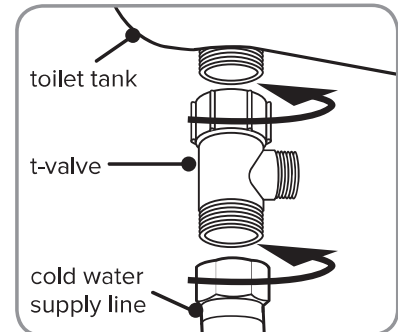


Step 2c

NOTES:

- You may wish to place a container under the tank to catch any excess water.
- Do not continue without completing the above steps.
- Failure to do so could result in flooding, leaking or damage to the Swash.

- Connect the female side of the T-Valve to the incoming water connection on the bottom of your toilet tank, ensuring the rubber washer is properly seated.

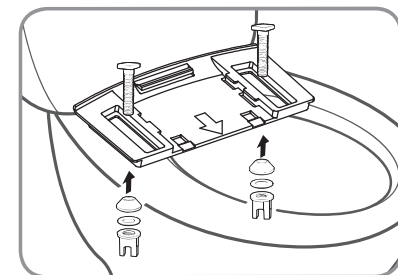


Steps 3-4

NOTES:

- The T-Valve connects to the fill valve directly under your toilet tank – it does not connect at the wall.
- Only connect to the cold toilet water supply line.
- If your water supply line is rigid you may need to replace it before continuing.

- Connect the water supply line coming from the wall to the bottom of the T-Valve.



Steps 5b & 5c

5. Install Mounting Plate for Standard Installation

(see Page 12, Step 6 for instructions on using the Top-Mount Brackets)

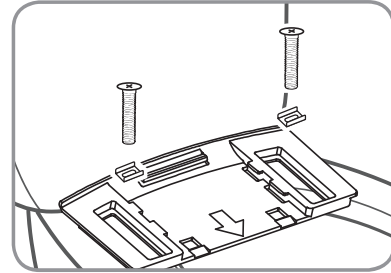
- Place adjustable mounting plate over mounting holes on toilet, rubber side facing down, arrow pointing to the toilet bowl.
- Insert the mounting bolts through the mounting plate and mounting holes of the toilet. Be sure that the square mounting bolt head is even with the sides of the mounting plate.
- Slide rubber cone washer, flat washer, and then nut onto mounting bolts under the toilet bowl and tighten to keep mounting plate in place.

PRODUCT INSTALLATION (cont.)

SWASH INSTALLATION (cont.)

6. Install Mounting Plate for top-mounted toilet seats (see Page 11, Step 5 for instructions on Standard Installation). This method will use a combination of the included Top-Mount Brackets and the original toilet seat mounting bolts.

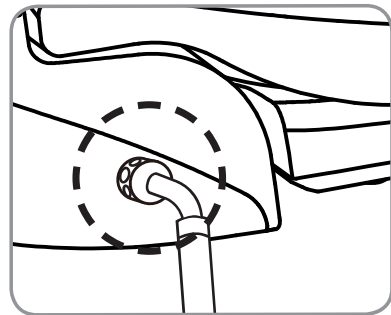
- a. Place adjustable mounting plate over mounting holes on toilet, rubber side facing down, arrow pointing to the toilet bowl.
- b. Place provided Top Mount Brackets, flat side down, into the slots of the mounting plate, over the bolt holes.
- c. Insert the original toilet seat mounting bolts through the Top-Mount Brackets and into the threaded bolt holes of the toilet, using a screwdriver to tighten.



Steps 6b & 6c

7. Connect the Bidet Hose to the Seat

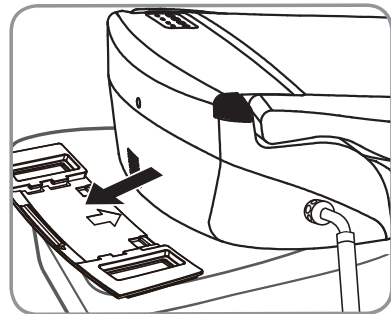
- a. Connect the elbow side of the bidet hose to the water inlet. Hand-tighten to secure. Take care not to twist the bidet hose, excessively bend it, or strip the plastic screw threads when screwing the hose onto the bidet seat.



Step 7a

8. Attach the Swash to the Mounting Plate

- a. Set the Swash flat on the toilet bowl in front of the mounting plate, and slide seat onto plate until it is secure.
- b. If the seat appears too short or too long for the toilet, adjust the mounting plate accordingly. To adjust the mounting plate, loosen the nuts underneath the toilet and slide seat forward or backwards as needed. Once the seat is lined up properly, tighten the nuts to hold in place.

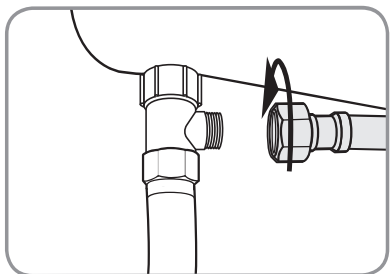


Step 8b

NOTES:

- For those with mobility issues, we recommend our Swash 1400 or Swash 1000 bidet seats, as their mounting systems are engineered for the most secure transitions from wheelchairs or walkers.

9. Connect the open end of the Bidet Hose to the T-Valve.



Step 9

10. Turn On Water Supply

- a. Open the main water supply valve slowly and check for leaks.
- b. Wait 5 minutes, check again and if there are no leaks continue.

SWASH INSTALLATION (cont.)

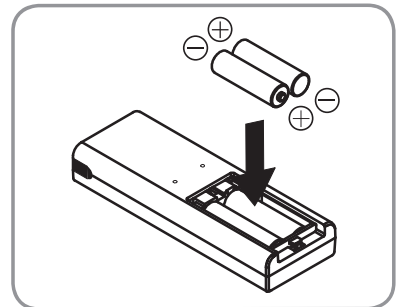
11. Plug the Power Cord into an Electrical Outlet
 - a. If the Power Indicator is not illuminated press any button on the control panel.
12. Fill the Water Reservoir Tank
 - a. Press either the “Rear” or “Front” button on the remote control to fill the Water Reservoir Tank with water.
 - b. The Swash will beep continuously while the tank is filling and will emit one long beep to indicate when the tank is full.
 - c. Wait 3-5 minutes for the water to heat up, and the Swash will be ready for use.
13. Follow instructions on Page 18 for using the Swash.

NOTES:

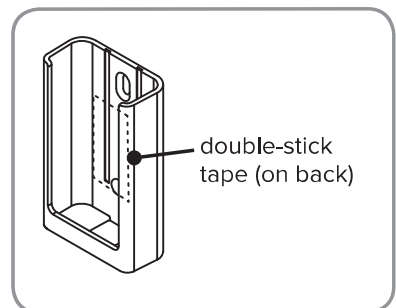
- Make sure to only use a grounded GFCI (ground fault circuit interrupter) electrical outlet. In the case of a short circuit, a grounded GFCI outlet may help prevent electric shock or injury.
- If it is necessary to use an extension cord, only use those rated for a minimum of 15 amps with a three-wire extension cord with a three-blade grounding plug.

REMOTE CONTROL INSTALLATION

1. Battery Installation
 - a. Remove the Remote Control from the Wall Mount.
 - b. Turn remote over and remove the battery compartment. Insert the two included AAA batteries and replace battery cover.
 - c. To confirm the batteries are installed correctly, press and release the DRY button. One of the center vertical LED lights will illuminate for twenty seconds.
2. Mount Remote (optional)
 - a. Identify a location in the bathroom for the remote control that is visible and reachable from the toilet.
 - b. Use the provided double-stick tape on the back of the remote wall mount. Make sure the remote mount is fully secure so that it does not fall and damage the remote control.
 - c. Slide the remote control into the mount.



Step 1b



Step 2b

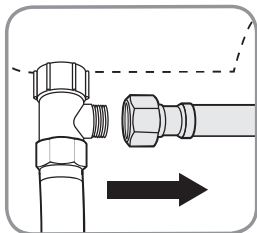
PRODUCT INSTALLATION (cont.)

EXTERNAL BIDET FILTER INSTALLATION

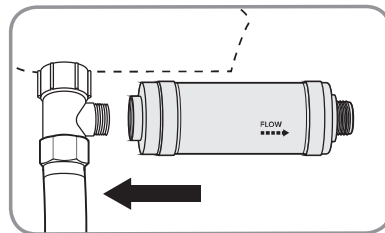
NOTE:

- Customers with hard water, well water, and softened water can extend the life of their bidet seat by purchasing and installing an external inline water filter to be used with the Swash. The bidet filter should be changed every six months, and can be purchased online at brondell.com.

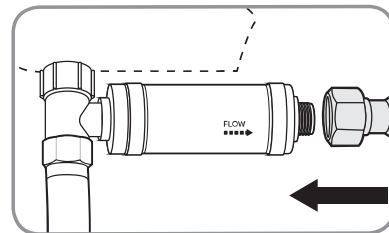
1. Turn Off Water Supply Valve and Flush Toilet.
 - a. Turn water valve off to stop the flow of water.
 - b. Flush toilet and hold down handle to completely empty tank.
2. Disconnect the Bidet Hose from the T-Valve.
3. Connect the female end of the Swash Filter to the open T-Valve connection.
4. Connect the Bidet Hose to the male end of the Swash Filter.
5. Turn the toilet water supply valve back on.



Step 2



Step 3



Step 4