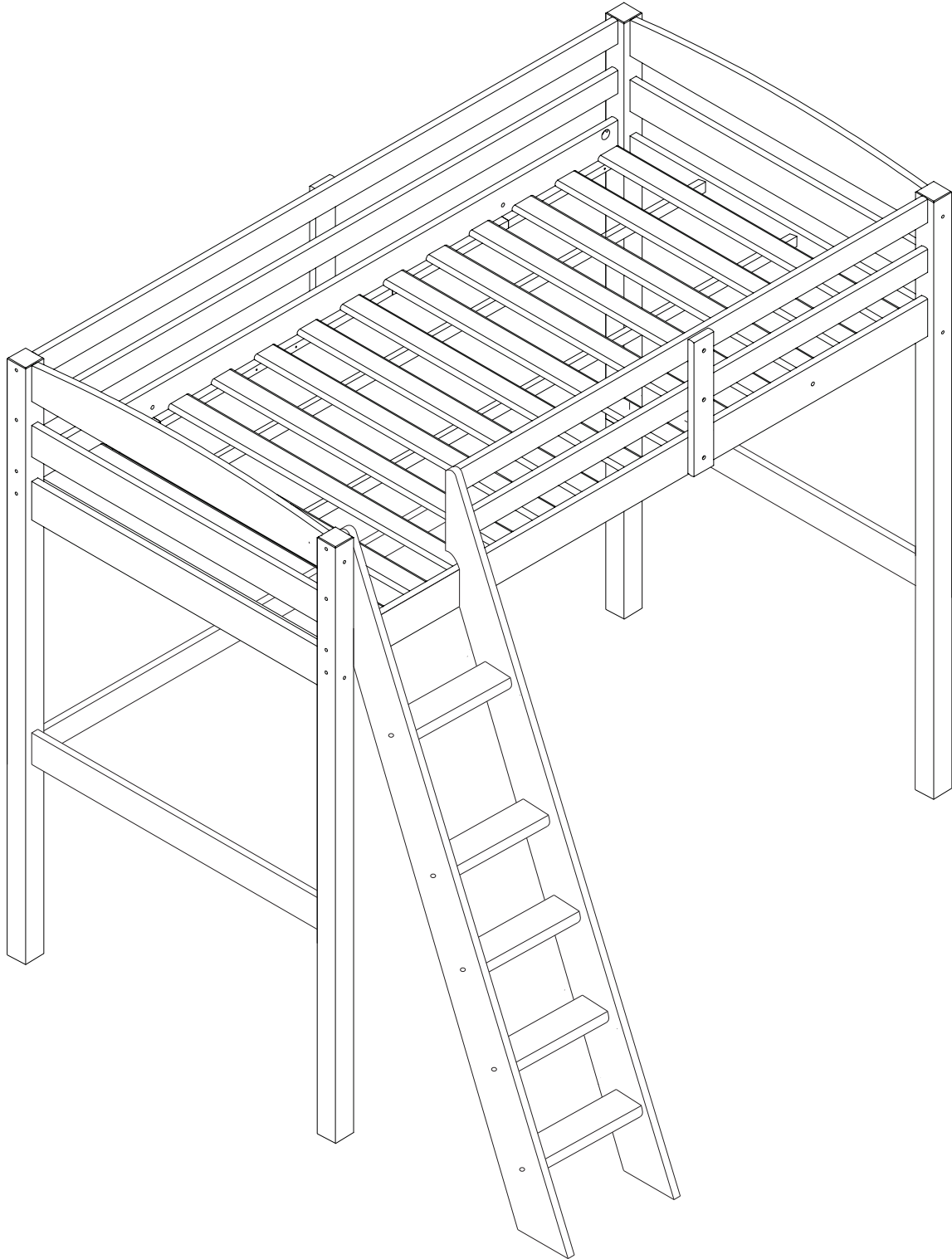


ASSEMBLY INSTRUCTIONS

CONCORD FULL SIZE HIGH LOFT BED



We appreciate your choice in purchasing our furniture and strive to deliver the highest quality. In the unlikely event that you note any damaged or missing part please do not return to the store. Please reach out to us at info@camaflexi.com or by phone at (347)844-9307 so that we can expedite shipment of replacements.

Please read the following before attempting assembly

-Your new piece of furniture requires easy assembly. Below are some suggestions to make it easier, minimize time and save you unnecessary grief.

-Do not dispose of any packing material until assembly is complete.

-Be sure you assemble the item on a soft surface such as cardboard or a blanket to protect the quality finish from scratches or indentation.

-Separate and organize all hardware in plastic bags, if available, for easy identification

-Count all hardware and parts to make certain you received all before attempting assembly

-Inspect each wood part for any unlikely shipping damage or manufacturing flaws. Please contact us at info@camaflexi or call (347)844-9307, so that we can expedite shipping of any replacement parts or hardware if needed

-You have purchased real solid wood furniture which may present natural imperfections such as knots and minor splits and cracks. Natural wood loses and gains moisture due to seasonal changes which over time may also affect the wood. If the structural integrity of the piece is not compromised, we recommend applying a touch up marker or wax fillers, for any minor imperfections, which can be purchased at most hardware stores. Color variations are normal in real wood furniture, due to the natural grain of the wood.

Caring for your new Wood Furniture

-Always clean with a damp cloth or furniture polish.

-Do not use alcohol or alcohol solvents for cleaning.

-Avoid placing in direct sunlight to minimize damage due to UV rays.

-Try not to place furniture very near or on top of heaters.

We hope you enjoy your new piece of Natural Wood Furniture for years to come!

SAFETY WARNINGS

- ✓ Follow the information on the warning labels on the upper bunk bed structure and on the cartoon. Do not remove warning label from the bed.
- ✓ Always use the recommended size mattress support, or both, to help prevent the likelihood of entrapment or falls.
- ✓ The top surfaces of the mattress must be at least 5" below the upper edge of the guardrails.
- ✓ **Do not** allow children under 6 years of age to use the upper bunk.
- ✓ **Prohibit** more than one person on the upper bunk.
- ✓ Periodically check and ensure that the guardrails, ladder and other components are in their proper position, free from damage, and that all connectors are tight.
- ✓ **Do not** allow horseplay on or under the bed. Always prohibit jumping on the bed.
- ✓ Always use the ladder for entering and leaving the upper bunk.
- ✓ **Do not** use substitute parts. Contact the manufacturer or dealer for replacement parts
- ✓ Use of a night-light may provide added safety for a child using the upper bunk.
- ✓ If the bunk bed will be placed next to the wall, the guardrail that runs the full length of the bed should be placed against the wall to prevent entrapment between the bed and the wall.
- ✓ Always use guardrails on both long sides of the upper bunk.
- ✓ The use of a water or sleep floatation mattress is prohibited.
- ✓ Keep these instructions for future reference.
- ✓ We recommend assembling your bunk bed on the shipping carton to protect your floor or carpet. Be certain all staples are out of the box before beginning assembly on the shipping carton.

- ✓ **SIZE OF MATTRESS:** Upper and lower foundation
THIS BED IS DESIGNED TO USE A MATTRESS (74" TO 75") LONG, AND (37-1/2" TO 38-1/2") IN WIDTH AND THE ENCLOSED SLAT KIT SYSTEM. THE TOTAL THICKNESS OF MATTRESS AND FOUNDATION MUST NOT EXCEED 8"
NOTE: THERE MUST AT LEAST 5" FROM MATTRESS SLEEPING SURFACE TO TOP EDGE OF GUARDRAIL.

- ✓ **Strangulation Hazard:** Never attach or hang items to any part of the bunk bed that are not designed for use with the bed for example, but not limited to hooks, belts and jump ropes.

- ✓ **REPLACEMENT PARTS:**
REPLACEMENT PARTS, INCLUDING ADDITIONAL GUARDRAILS, MAY BE OBTAINED BY CONTACTING 'ECOFLEX FURNITURE LLC' at: info@camaflexi.com, or by CALLING: (347) 704-9307.

EcoflexFurnitureLLC.

1031 E.Mountain Street-Bldg.306
KernerSville, NC 27248
United States

INSTRUCTIONS FOR MODEL: T130 TRIBECA LOW LOFT BED

IMPORTANT:

Read all instruction first then follow each step as numbered and described.

Two or more persons required for assembly.

Caution: These assembly steps have engineered to result in a quality product. Failure to follow instructions may result in unsound place of furniture.

Before using furniture, make sure all connections are secured.

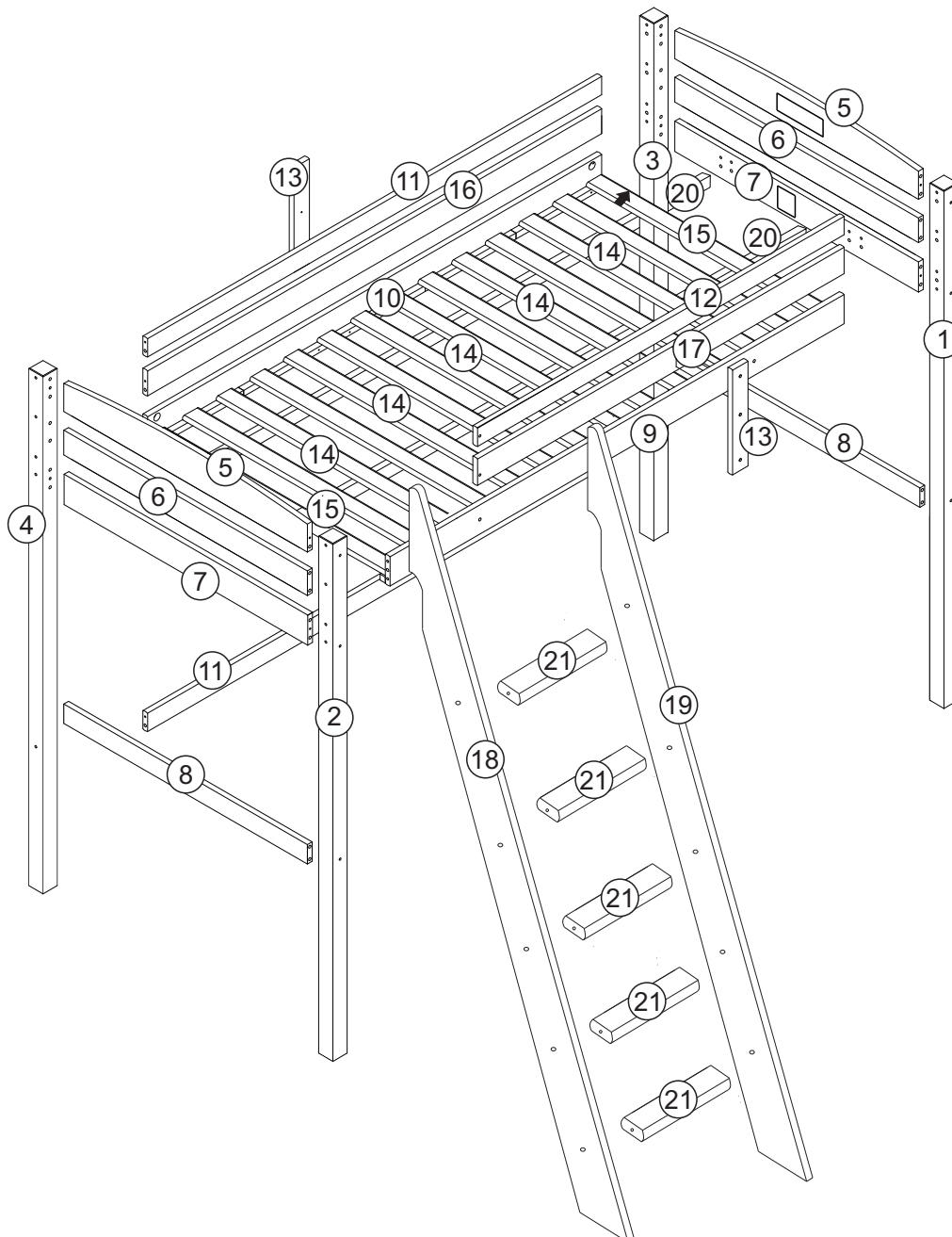
TOOLS REQUIRED:

Philips Screwdriver

Hammer

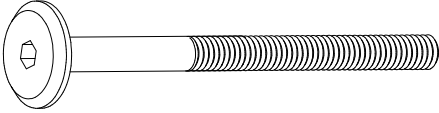
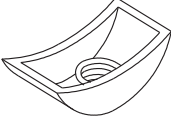
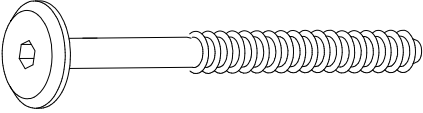
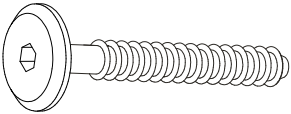
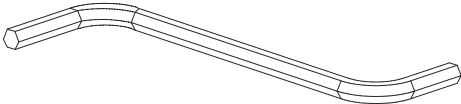
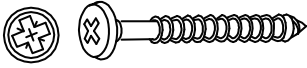

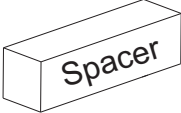
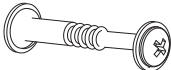

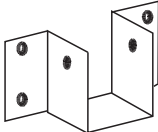

CARTONS REQUIRED:

-Carton 1/1 bed end structures (Headboards and Footboards, slats, ladder sides, hardware, assembly instruction, rails, guardrails, ladder, steps).

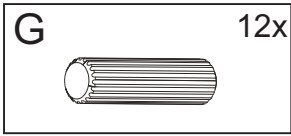
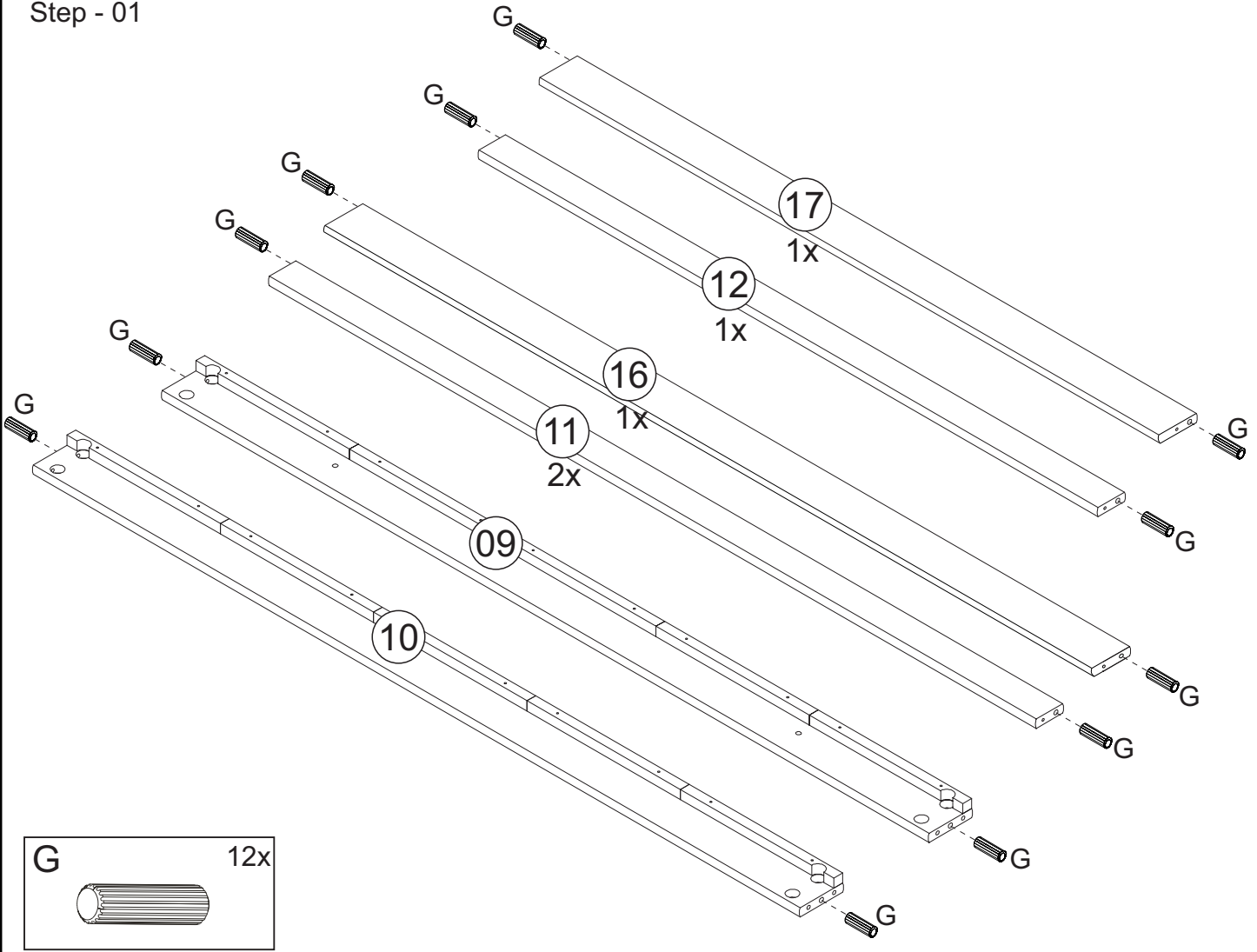


PARTS LIST (SEPARATE PARTS OF BUNK BED ACCORDING TO NUMBERING):
NR. (1,2,3,4,5,6,7,8,9,10,11,12,13,14,15,16,17,18,19,20) QUANTITY BOX 1 Of 1

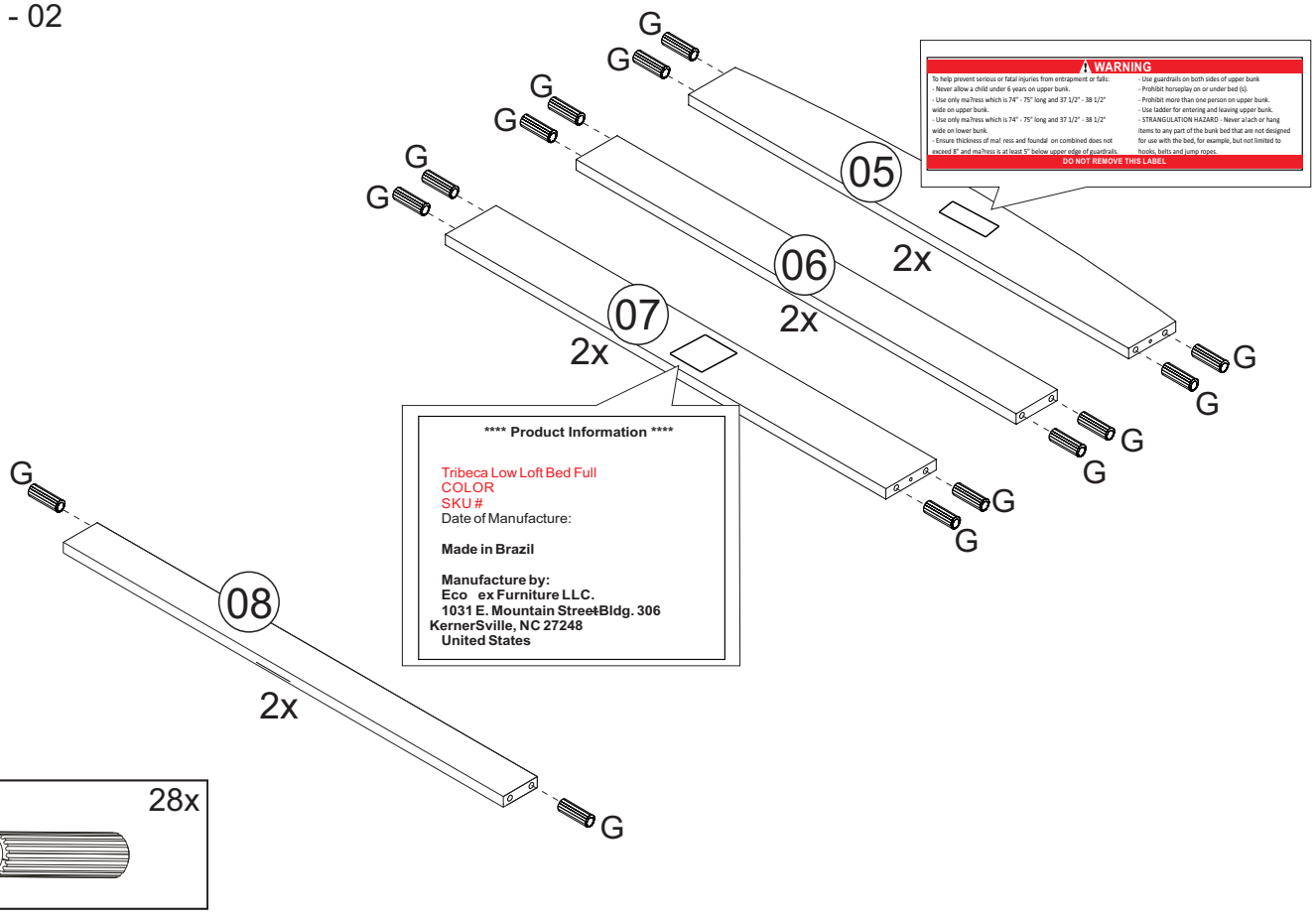
ATTENTION!!! HARDWARE BELOW (SEPARATE AND CONFER)

A	 <p style="text-align: right;">1/4" x 100</p>	08
B	 <p style="text-align: right;">1/4"</p>	08
C	 <p style="text-align: right;">7 x 100</p>	20
D	 <p style="text-align: right;">7 x 50</p>	13
E		01
F	 <p style="text-align: right;">4 x 30</p>	34
G	 <p style="text-align: right;">10 x 50</p>	42
H	 <p style="text-align: right;">73mm</p>	02
J	 <p style="text-align: right;">Union Screw</p>	02
K	 <p style="text-align: right;">10mm</p>	01
L		04
M	 <p style="text-align: right;">3/2 x 16</p>	24

Step - 01



Step - 02



WARNING

To help prevent serious or fatal injuries from entrapment or falls:

- Never allow a child under 6 years on upper bunk.
- Use only mattress which is 74" - 75" long and 37 1/2" - 38 1/2" wide on upper bunk.
- Use only mattress which is 74" - 75" long and 37 1/2" - 38 1/2" wide on lower bunk.
- Ensure thickness of coil spring and foundation on combined does not exceed 8" and mattress is at least 6" below upper edge of guardrail.
- Use guardrails on both sides of upper bunk.
- Prohibit horseplay on or under bed (s).
- Prohibit more than one person on upper bunk.
- Use ladder for entering and leaving upper bunk.
- STRANGULATION HAZARD - Never attach or hang items to any part of the bunk bed that are not designed for use with the bed, for example, but not limited to, coats, belts and jump ropes.

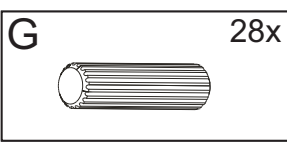
DO NOT REMOVE THIS LABEL.

**** Product Information ****

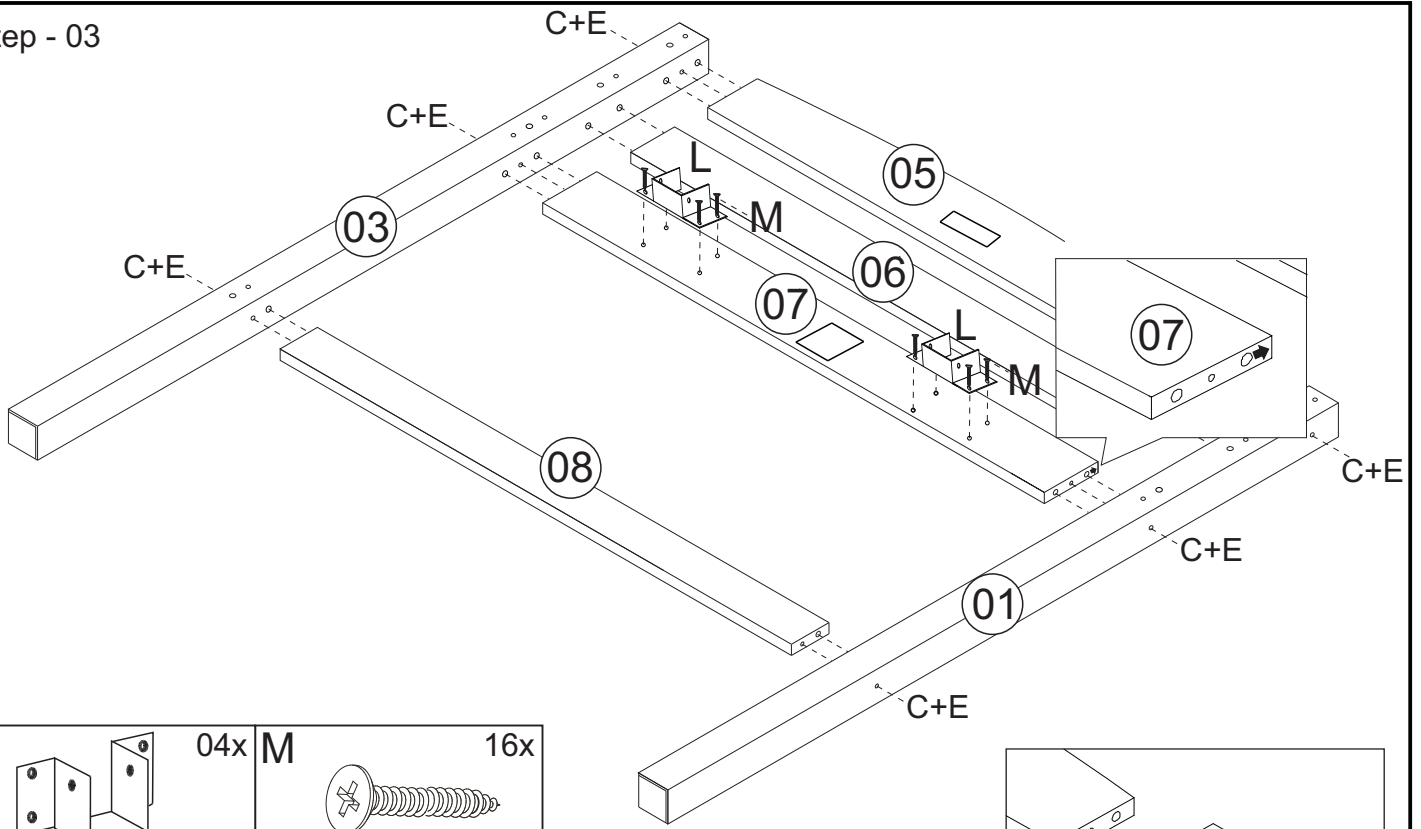
Tribeca Low Loft Bed Full
 COLOR
 SKU #
 Date of Manufacture:

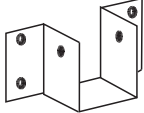
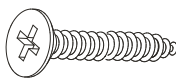
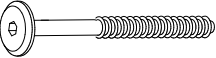

Made in Brazil

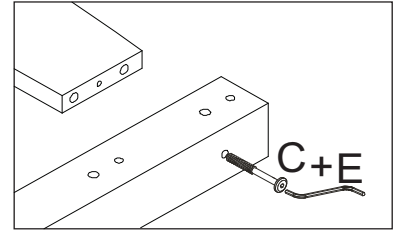
Manufacture by:
 Eco - ex Furniture LLC.
 1031 E. Mountain Street Bldg. 306
 KernerSville, NC 27248
 United States



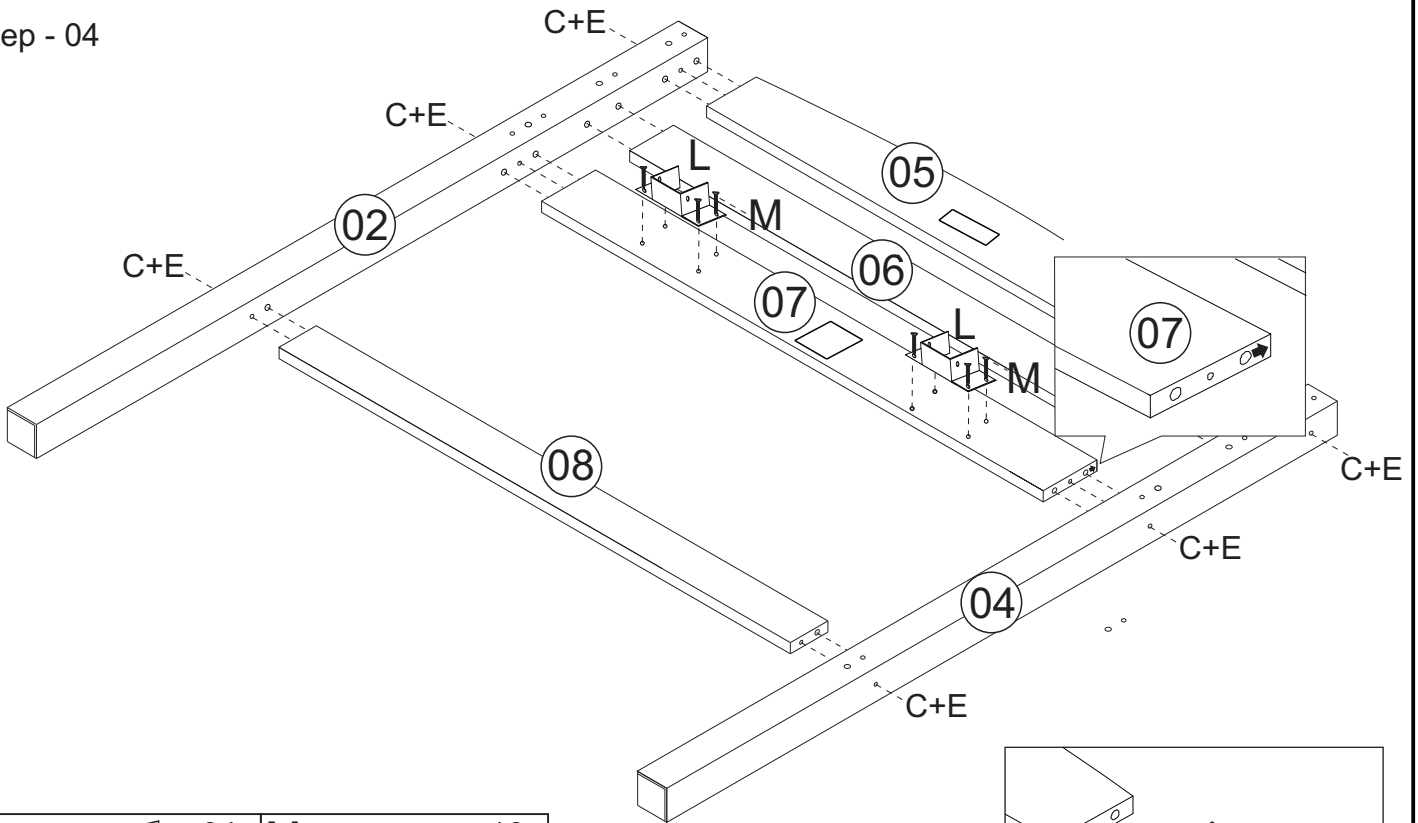
Step - 03

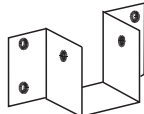
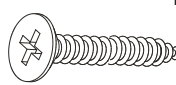
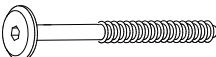



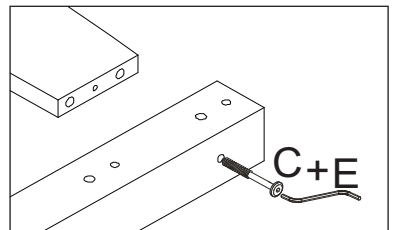
L 	04x	M 	16x
C 	08x	E 	01x



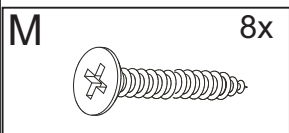
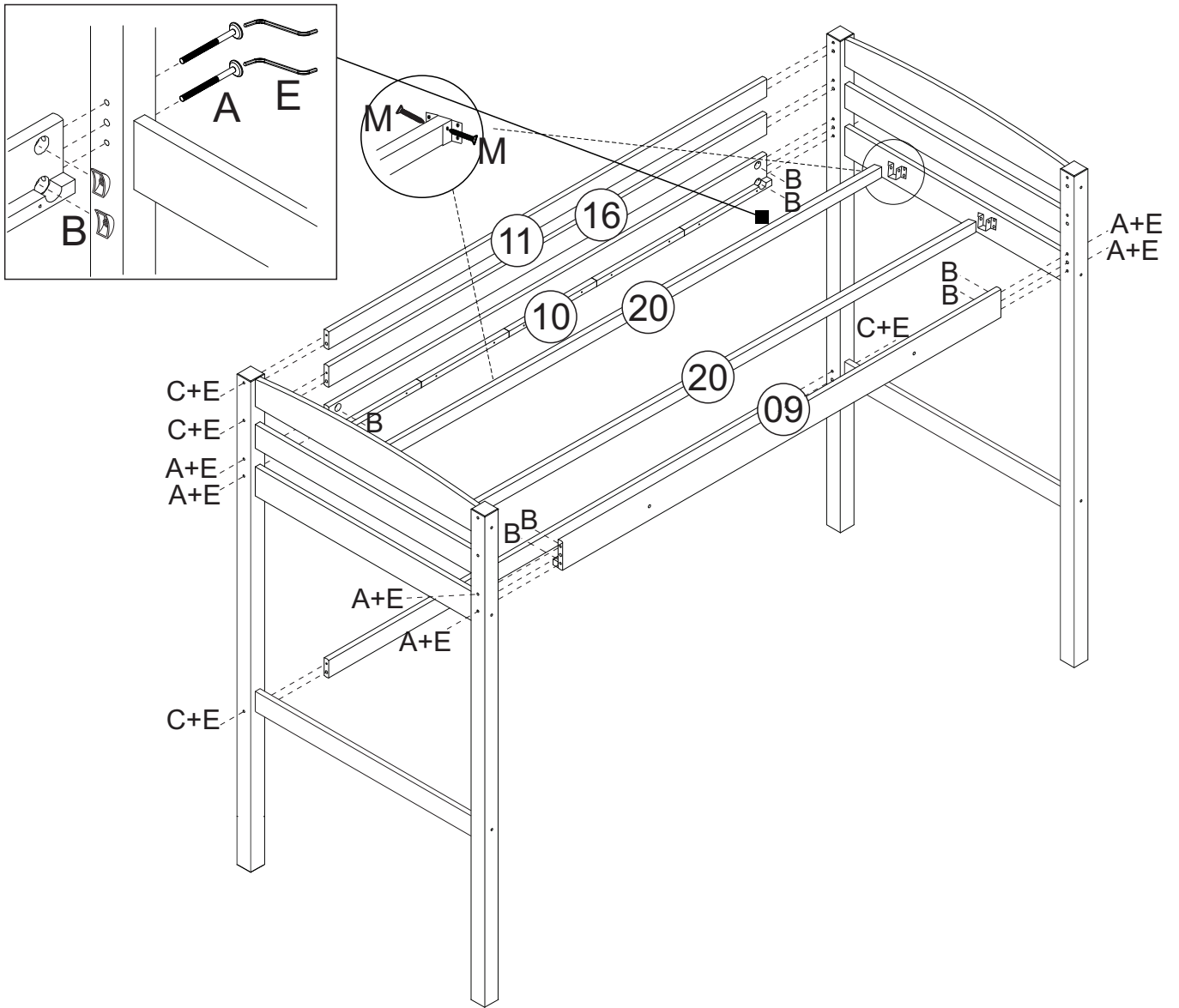
Step - 04



L 	04x	M 	16x
C 	08x	E 	01x

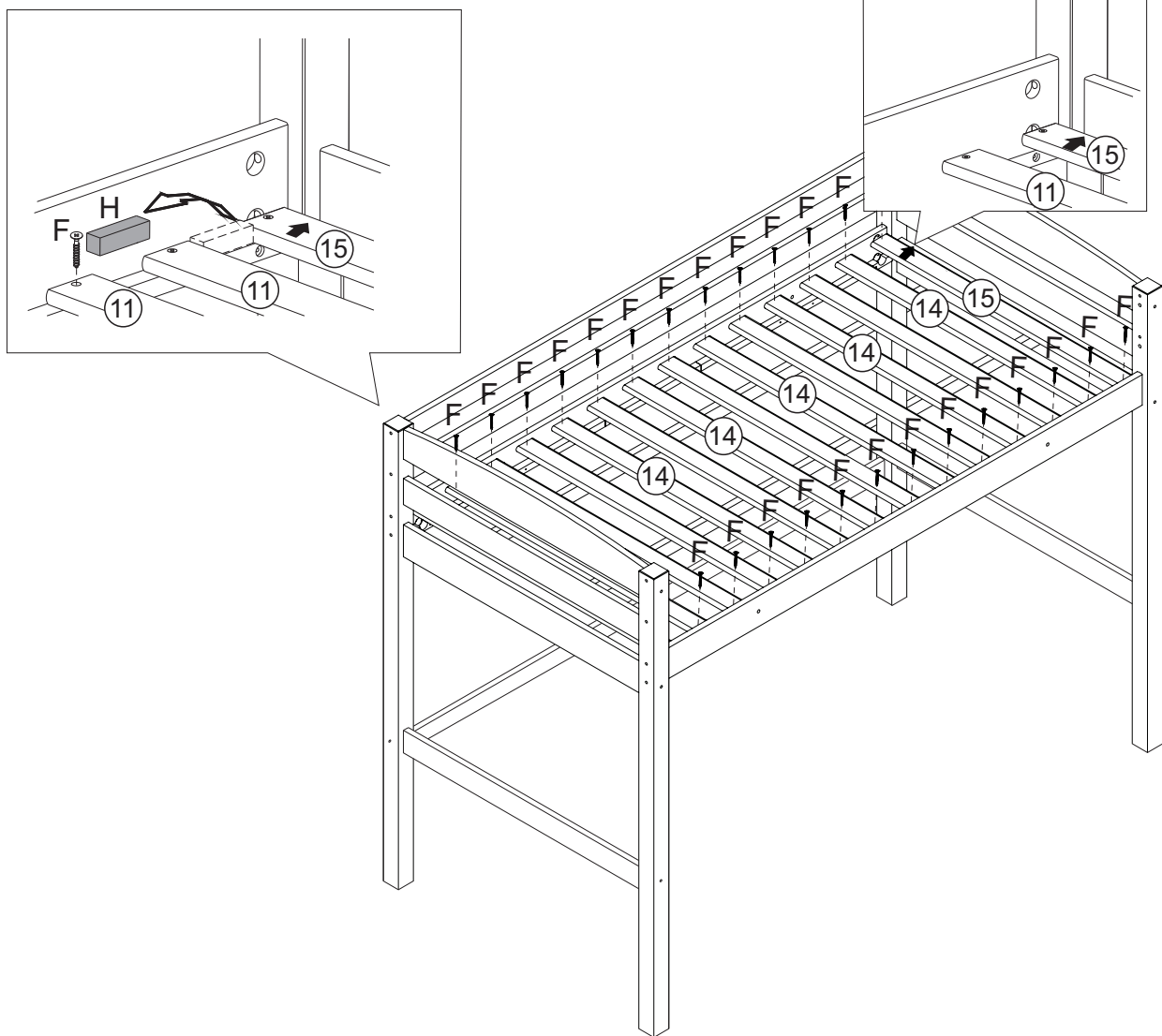



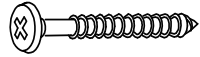


Step - 05



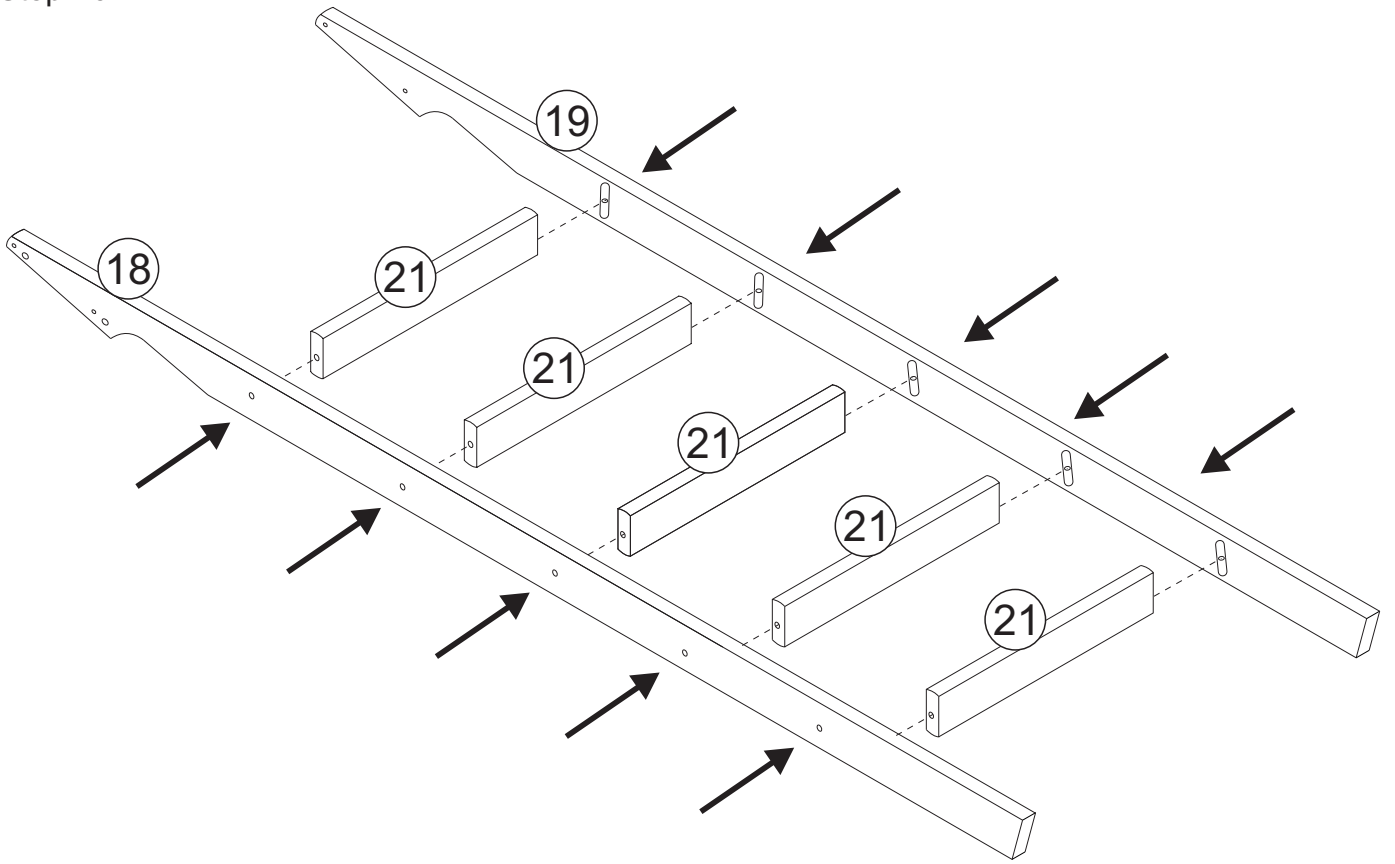
A	08x	B	08x
C	04x	E	01x

Step - 06

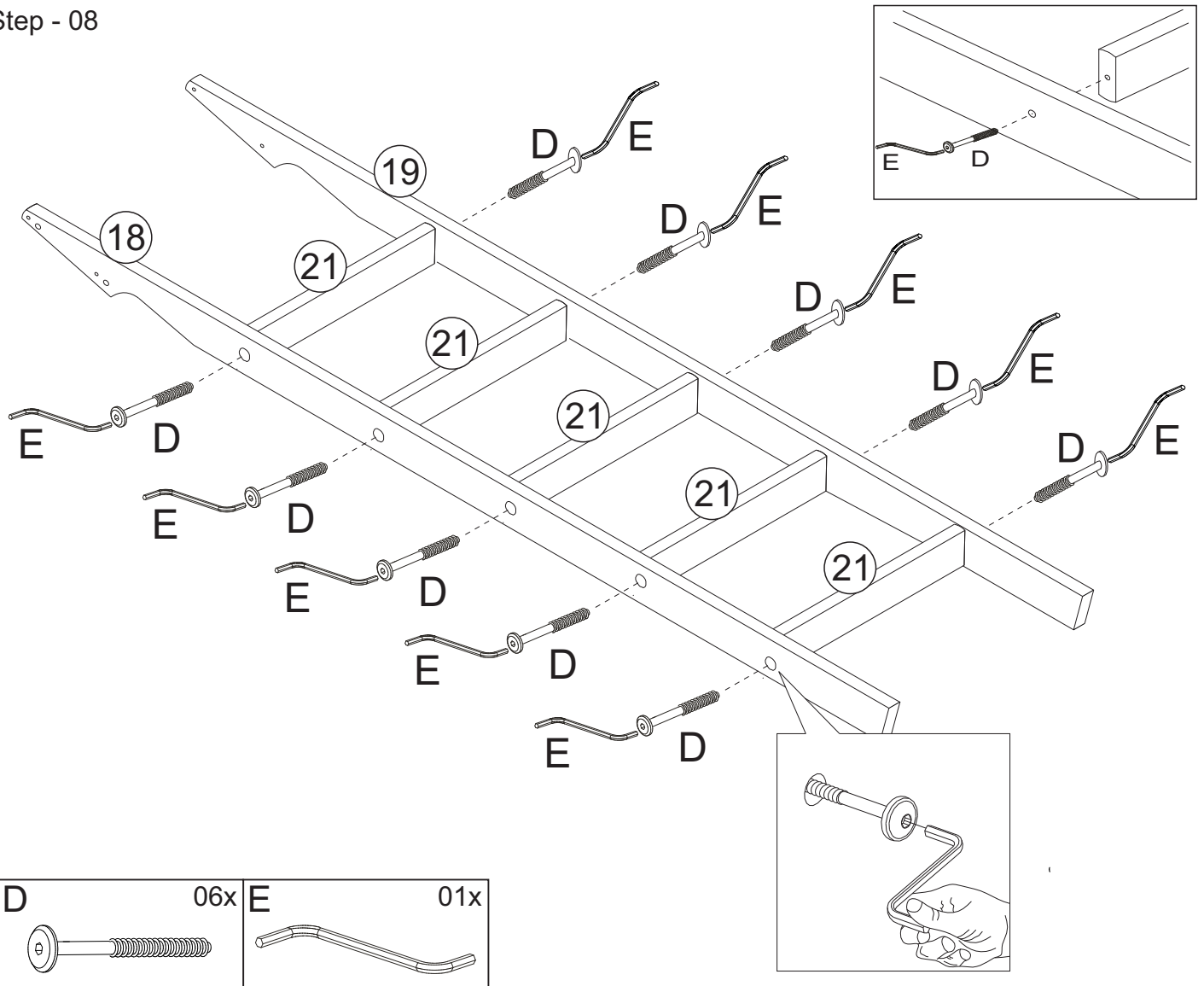


F	28x	H	02x
			

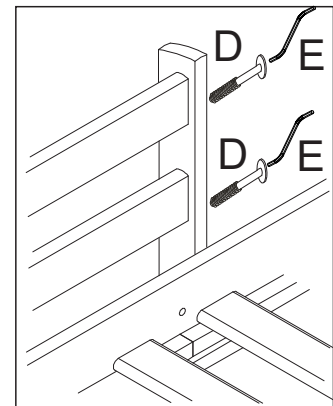
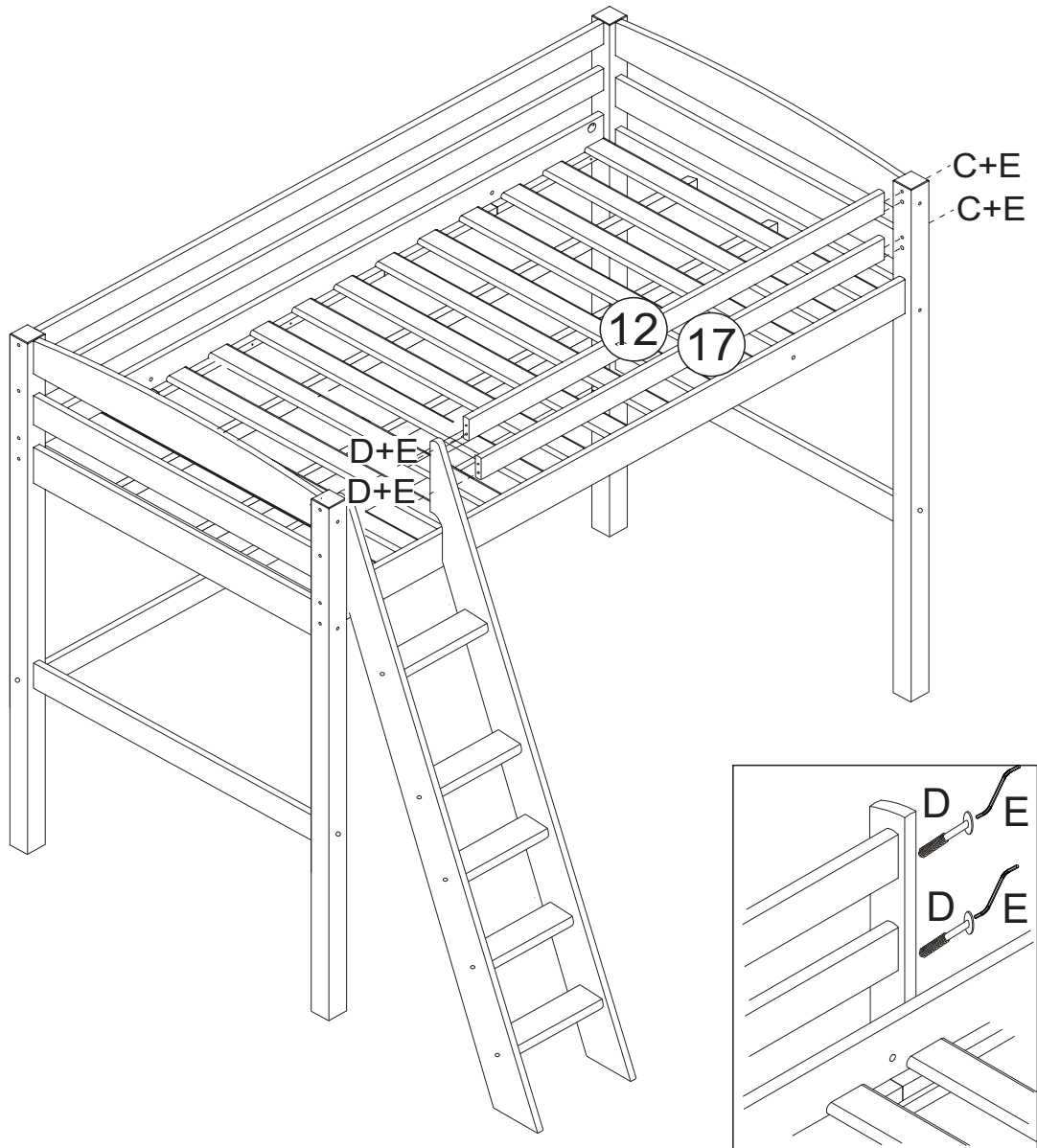
Step - 07

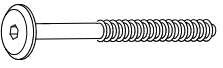
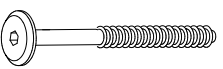



Step - 08

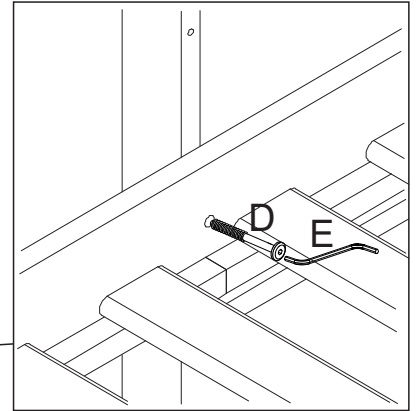
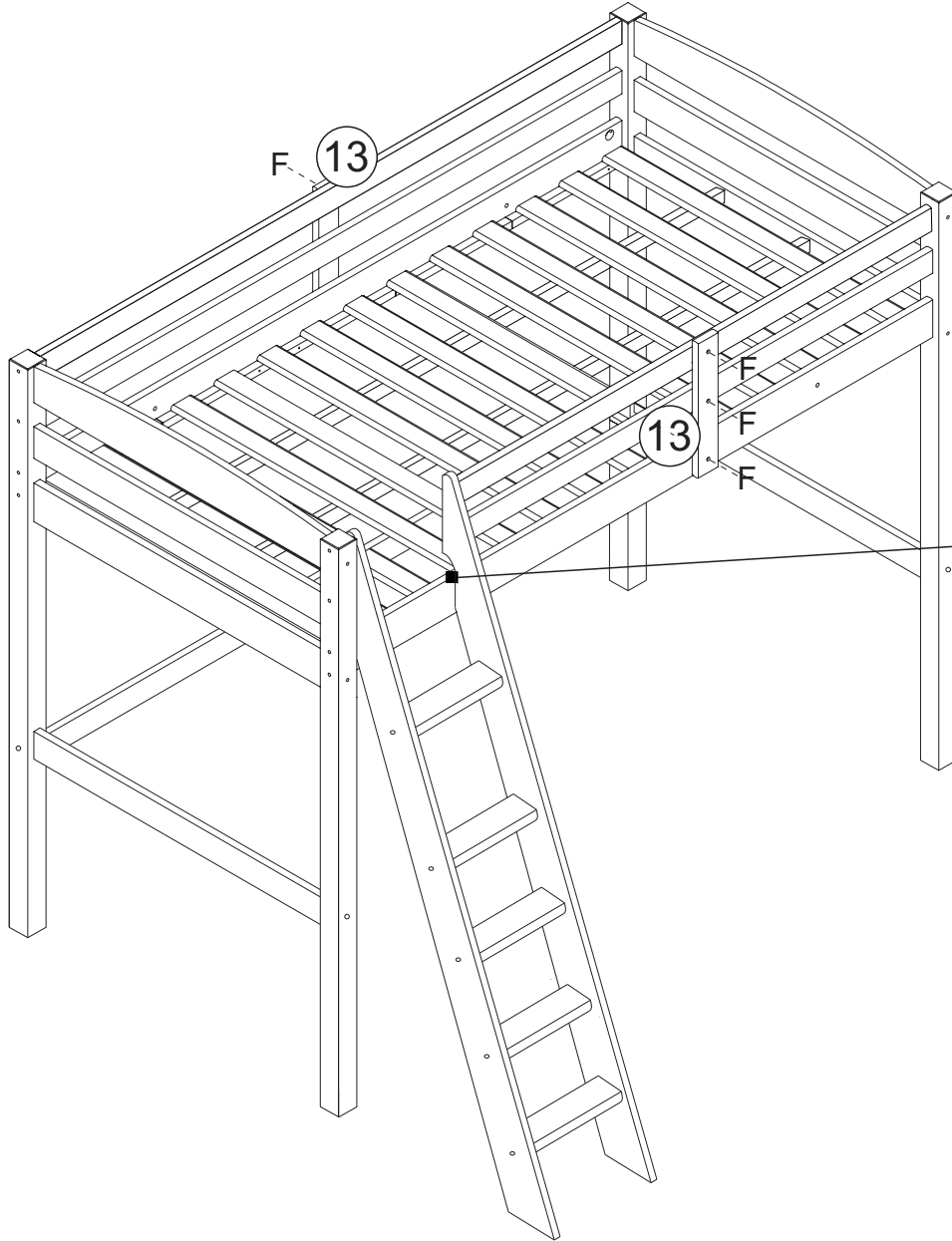


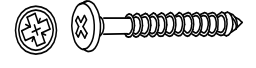
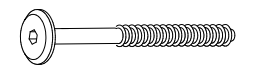

Step - 09



C	02x
	
D	02x
	
E	01x
	

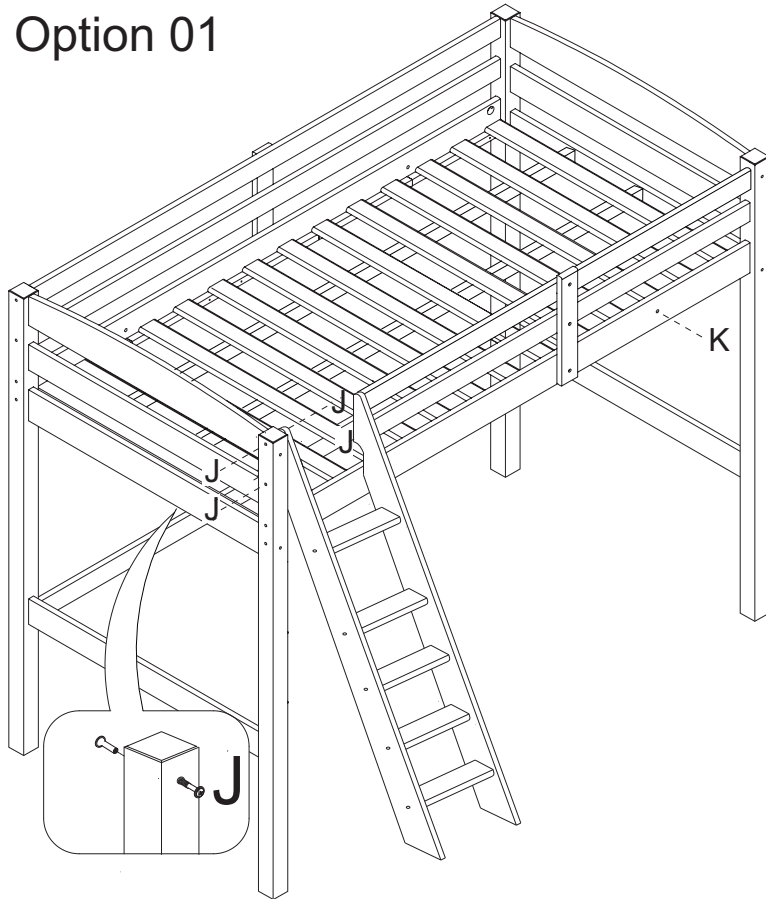
Step - 10



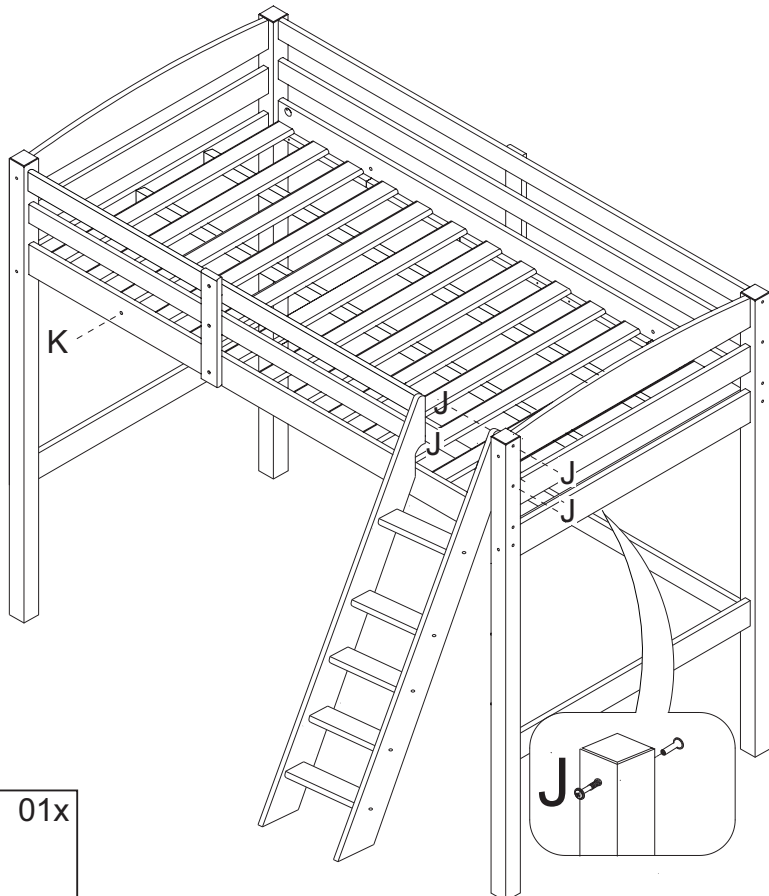
F		06x
D		01x
E		01x

Step - 11

Option 01



Option 02



J	02x	K	01x
