

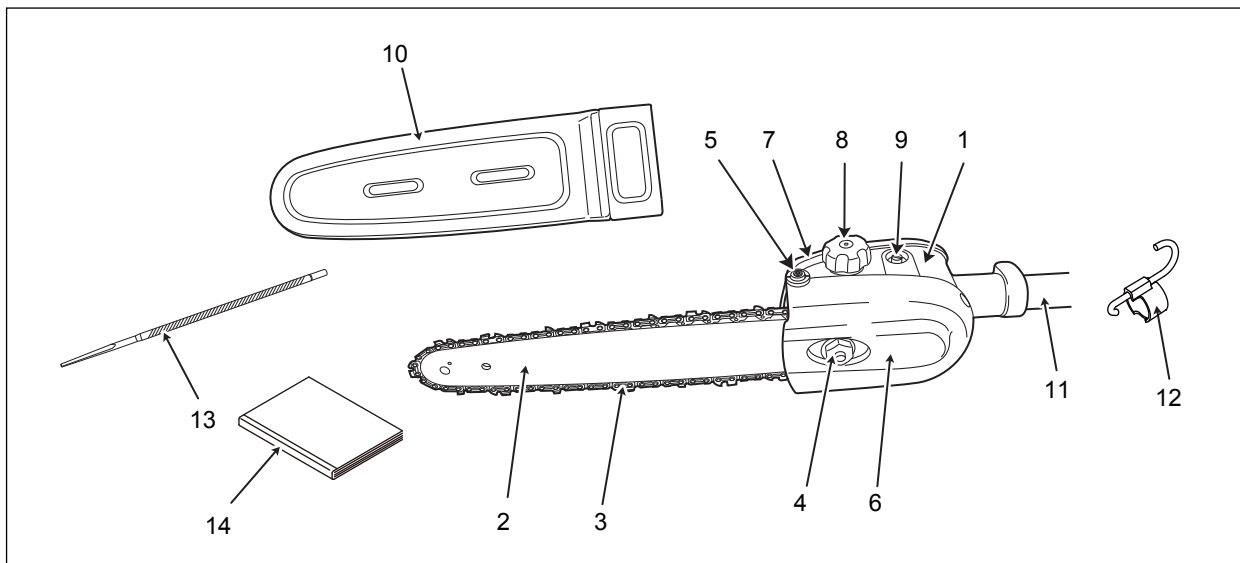
# 2. Outline

## 2.1 Name of Parts and Their Functions

The pole pruner is a device with the attachment installed to the powerhead (separately sold). The following is the structure of the attachment and name and function of each part.

### ►►Note

- There are two types of powerheads. For details about the powerhead, refer to the powerhead manual.

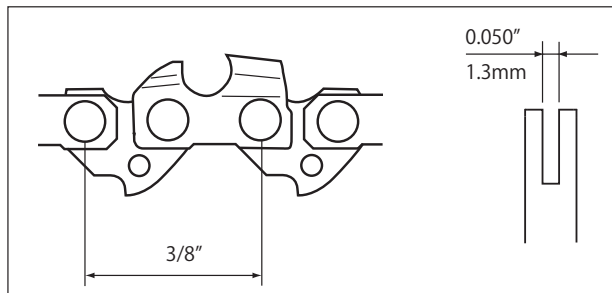


No.	Name	Description
1	Transmission case	Connected with the drive sprocket, it transmits the power from the drive shaft to the saw chain.
2	Guide bar	Guides the rotational motion of the drive shaft to the transmission case.
3	Saw chain	Rotates at high speed to cut trees or branches.
4	Guide bar nut	A nut to secure the guide bar
5	Tensioning bolt	A bolt to move the guide bar to apply tension to the saw chain.
6	Chain cover	A cover to protect the saw chain and drive sprocket
7	Chain oil tank	A tank for chain oil
8	Chain oil tank cap	Remove it to service the chain oil.
9	Chain oil adjustment screw	A screw to adjust the discharge amount of the chain oil. When turned counterclockwise, the discharge amount will increase.
10	Transportation guard	A part to protect the saw chain for transportation or storage
11	Shaft tube	This is a main frame with a drive shaft inside.
12	Tube cap	A part to prevent dust, etc. from entering the shaft tube during storage
13	Round file	Used for sharpening the saw chain. $\phi 5/32$ inches (4 mm)
14	Manual	This manual

## 2.2 Specification

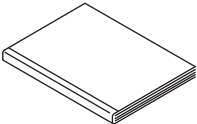
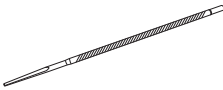
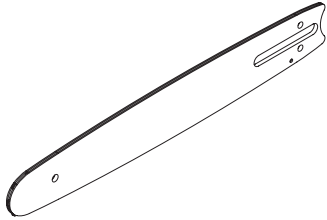
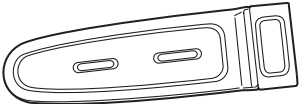

### ■ Standard Specification

item	Specification
Engine	Refer to your powerhead manual.
Saw chain	JLA1-13-45 (a part packed together) Oregon : 91VXL-45E, 91PX-45E (for repair) Pitch : 3/8 inch Gauge : 0.050 inch. Links : 45
Guide bar	12 inches
Weight of Split Attachment	3.5 (1.6) lbs (kg) (excluding saw chain, guide bar, and transportation guard)



## 2.3 Attached Material

The following are attached materials. For powerhead, refer to the powerhead manual.

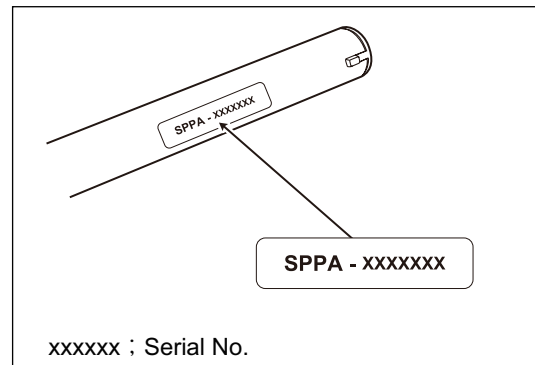
Instruction manual (this book) 	Round file (5/32 inch) 	Guide bar 
Transportation guard 	Saw chain 	

## 2.4 Position of Model and Serial No.

Check the model code of your attachment on the nameplate attached to the machine shaft.  
Record serial No. (See "9. Servicing"). You will need this model code and serial No. when ordering parts, and when making technical or warranty inquiries.

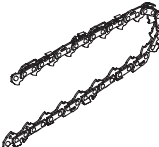
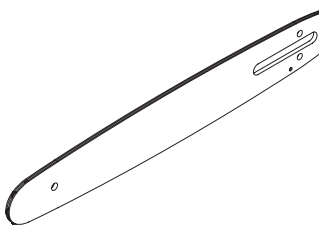

### ►►Note

- The model code is 4 letters  
The model code is different from the model name.



## 2.5 Replaceable Items

The following are common replaceable items for this attachment.  
Contact your servicing dealer for replacement parts.

<p>Saw chain</p> 	<p>Guide bar</p> 	<p>Cap</p> 
--	--	--