



INSTALLATION

G U I D E

DEVONSHIRE™
VITREOUS CHINA
PEDESTAL
LAVATORY

THE BOLD LOOK
OF **KOHLER**®

RECOMMENDED TOOLS AND MATERIALS



Square



Tape Measure



Safety Glasses



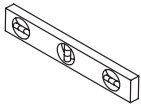
Adjustable Wrench



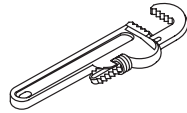
Pliers



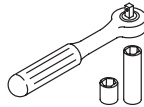
Drill



Level



Pipe Wrench



Socket Wrench w/8" Extension and Sockets



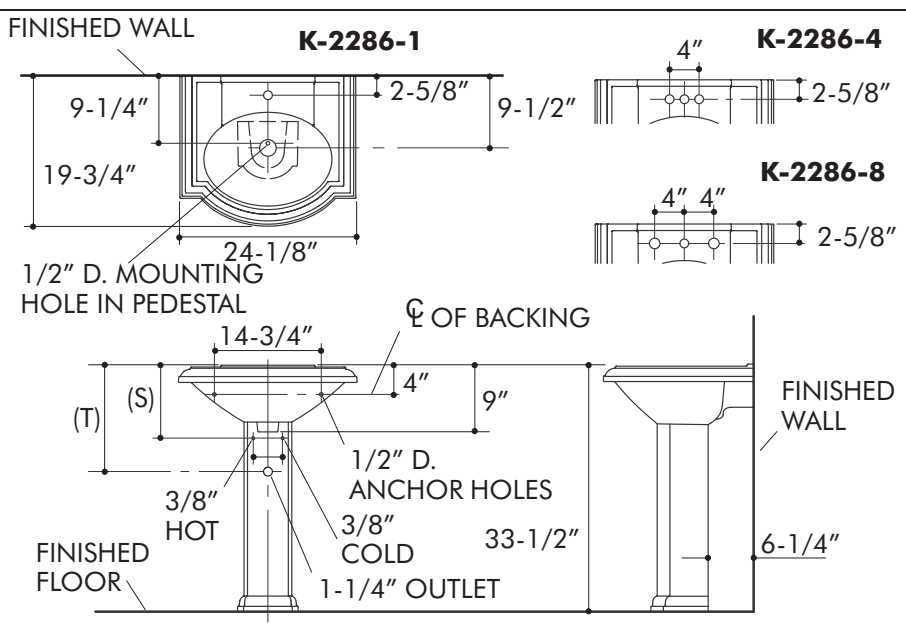
Pencil

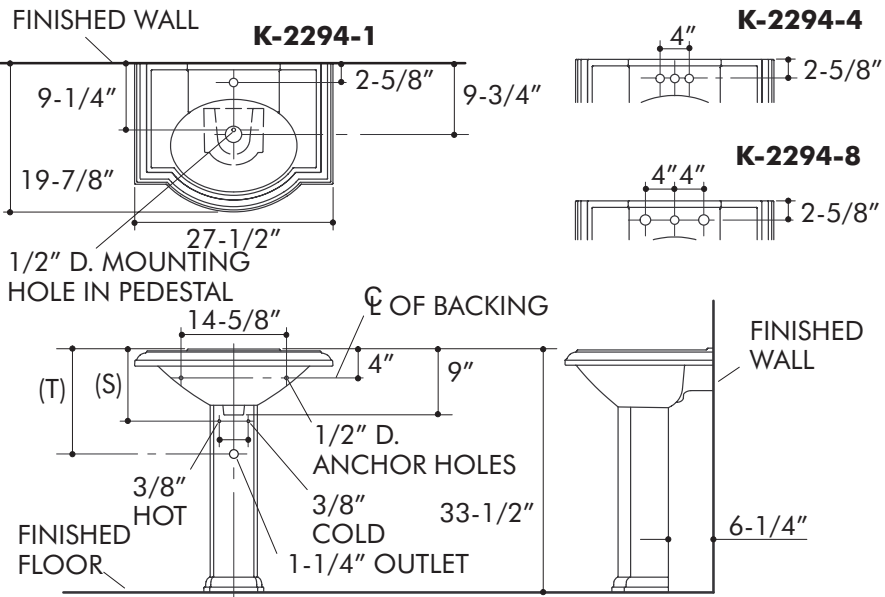
BEFORE YOU BEGIN

- Observe all local plumbing and building codes.
- Prior to installation, unpack the new lavatory and inspect it for damage. Return the lavatory to its protective carton until you are ready to install it.
- These instructions are for installing the lavatory to wood frame construction. For other installations, supply suitable bracing and fastening devices of sufficient size and strength.
- The walls and floor must be square, plumb, and level.

1. ROUGHING-IN

- (S) Supply 10" (Based on 12" riser which may require cutting.)
- (T) Pop-up drain typically 14-1/4".
- Fixture dimensions are nominal and conform to tolerances in ASME Standard A112.19.2M.
- The supply stop handles cannot extend more than 6-1/4" from the finished wall when in the open position.





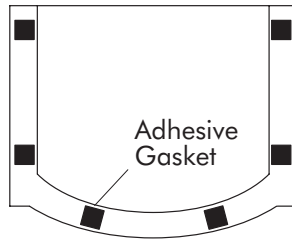
2. INSTALLATION

Rough-in the supplies, and the drain piping and trap.

NOTE: The supply stop handles cannot extend more than 6-1/4" from the finished wall when in the open position.

Install sufficient backing behind the finished wall to provide a secure material for the anchoring devices.

Apply six adhesive gaskets (provided) to the pedestal top.



Position the pedestal on the floor so the back of the pedestal is about 6-1/4" from the finished wall.

Carefully set the lavatory on the pedestal.

Move the pedestal as required to ensure proper fit in the desired location.

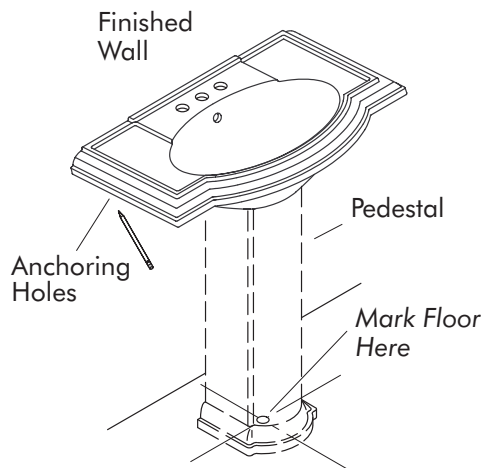
Level the lavatory. Add more adhesive gaskets as needed to level the lavatory.

NOTE: The lavatory **must** be supported by the pedestal.

Check the lavatory placement.

Mark the center of each anchoring hole on the wall, and mark the floor through the hole in the pedestal bottom.

Carefully remove the lavatory from the pedestal. Move the pedestal from the area.

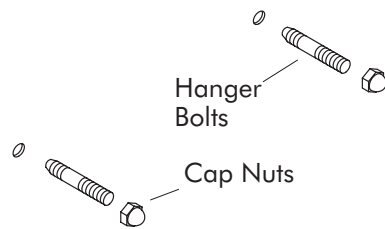


Drill a 3/16" mounting hole at the mark on the floor, then drill two 3/16" hanger bolt holes at the marks on the wall.

NOTE: Other fastening devices of sufficient size and strength may also be used.

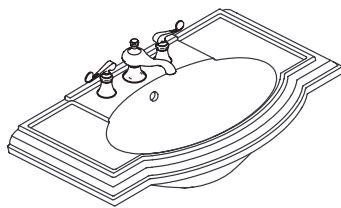
Thread the hanger bolts into the wall so approximately 1" of each bolt remains exposed between the cap nuts and the finished wall.

Remove the cap nuts from the hanger bolts. If the hanger bolts begin to turn, carefully grasp the unthreaded section of the bolt with a pliers, and continue to remove the cap nut.



Install the faucet and drain to the lavatory according to the manufacturer's instructions.

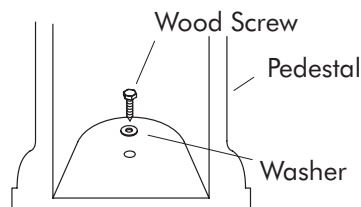
NOTE: Do not fully tighten slip-joint drain connections at this time.



CAUTION: Risk of product damage. Do not overtighten the wood screw. Overtightening may cause damage to the product.

Position the pedestal mounting hole over the hole in the floor.

Secure the pedestal to the floor with the wood screw and washer. Carefully tighten the wood screw.



Set the lavatory on the pedestal so the hanger bolts extend through the lavatory holes.

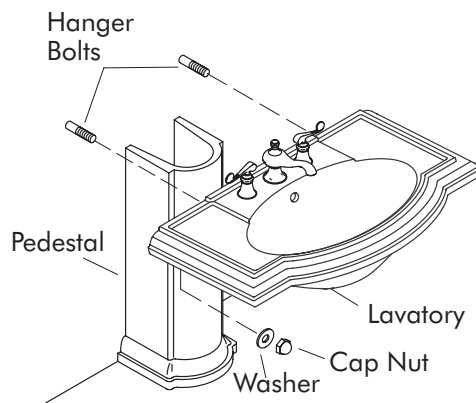
Level the lavatory.

⚠ CAUTION: Risk of product damage. Do not overtighten the cap nuts. Overtightening may cause damage to the product.

Install the cap nuts and washers, and tighten until snug.

Connect and tighten the trap to drain.

Complete the water supply connections to the faucet according to the instructions packed with the faucet.



CALL US FOR HELP

Questions? Problems? First review the installation instructions to ensure correct installation. For additional assistance in the USA, call our Customer Service Department for direct help. You may also contact us at our web site listed below.

1-800-4-KOHLER

THE BOLD LOOK
OF **KOHLER**[®]
www.kohlerco.com