

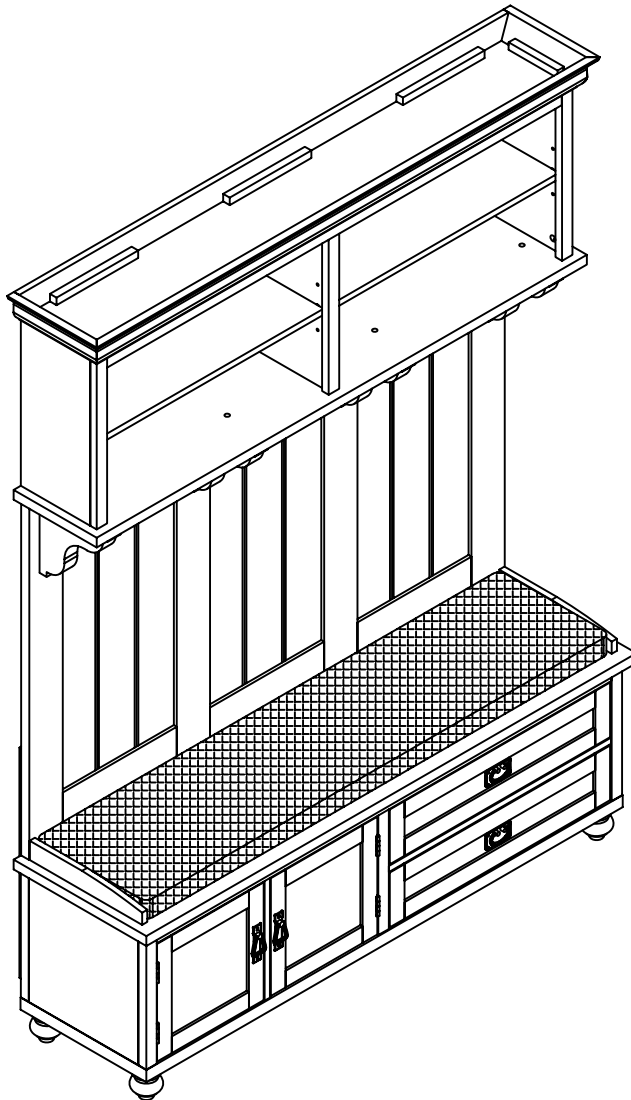
# HOME DECORATORS COLLECTION

INV# 74743

SK18212A VERNON HALL TREE 78"Hx61"Wx15"D

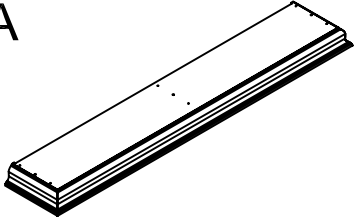
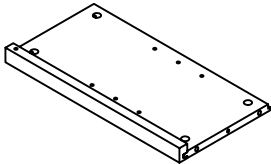
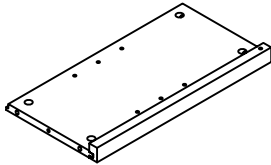
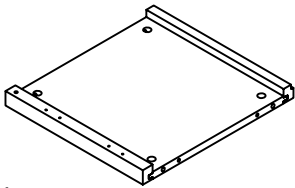
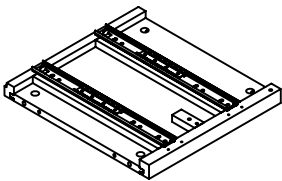
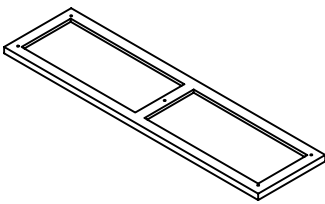
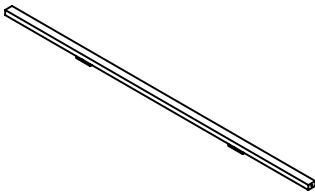
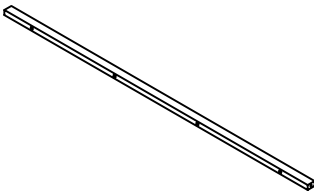
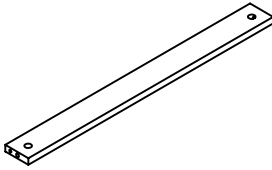
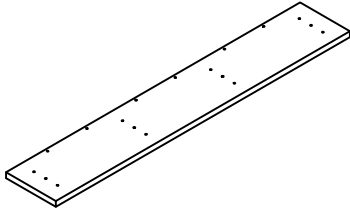
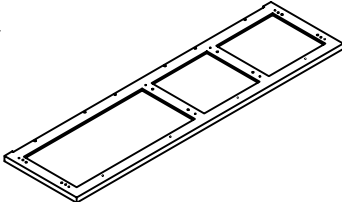
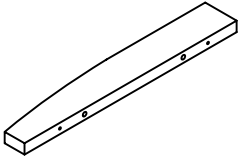
ASSEMBLY INSTRUCTIONS

Made In China

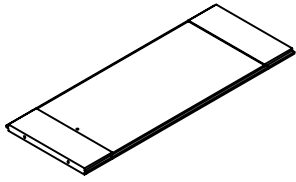


Thank you for purchasing this quality product. Be sure to check all packing material carefully for small parts, which may have come loose inside the carton during shipment. Count all parts and material hardware, then compare with parts list to be sure all parts are present. If any parts are missing or damaged, please contact our Customer Service Department for efficient and speedy service. Please indicate the model number and code letter of part(s) needed.

**IMPORTANT NOTE:** Follow instructions listed below in proper sequence as numbered to assure fast, easy and correct assembly.

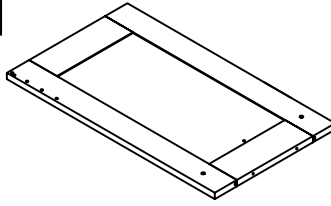
<b>PARTS LIST</b>		
<b>A</b>  TOP PANEL-1PC	<b>B</b>  UP LEFT SIDE PANEL-1PC	<b>C</b>  UP RIGHT SIDE PANEL-1PC
<b>D</b>  DOWN LEFT SIDE PANEL-1PC	<b>E</b>  DOWN RIGHT SIDE PANEL-1PC	<b>F</b>  BOTTOM PANEL-1PC
<b>G</b>  UP CROSS BRACE-1PC	<b>H</b>  MIDDLE CROSS BRACE-1PC	<b>I</b>  DOWN CROSS BRACE-1PC
<b>J</b>  UP FIXED PANEL-1PC	<b>K</b>  DOWN FIXED PANEL-1PC	<b>L</b>  SIDE CROSS BRACE-2PCS

**M**



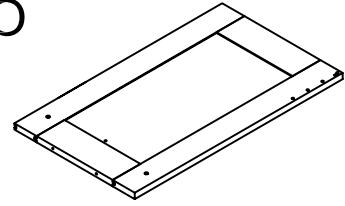
MIDDLE BACK PANEL-1PC

**N**



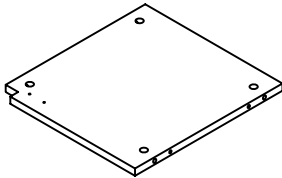
LEFT SIDE BACK PANEL-1PC

**O**



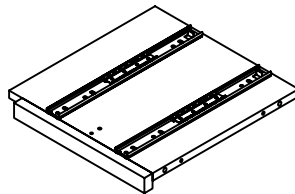
RIGHT SIDE BACK PANEL-1PC

**P**



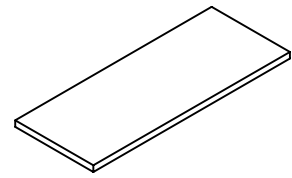
DOWN LEFT  
SIDE MIDDLE PANEL-1PC

**Q**



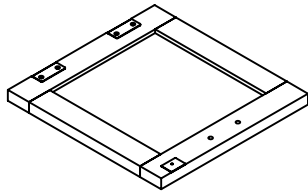
DOWN RIGHT  
SIDE MIDDLE PANEL-1PC

**R**



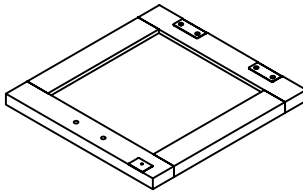
ADJUSTABLE SHELF-2PCS

**S**



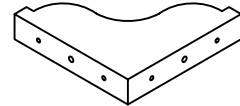
LEFT SIDE DOOR-1PC

**T**



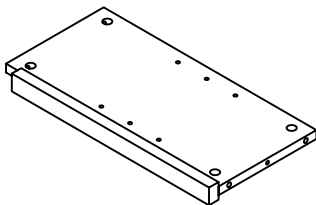
RIGHT SIDE DOOR-1PC

**U**



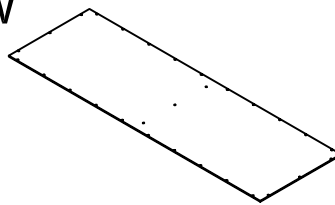
PARTITION-4PCS

**V**



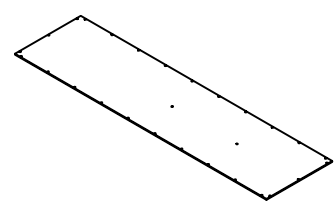
UP MIDDLE PANEL-1PC

**W**



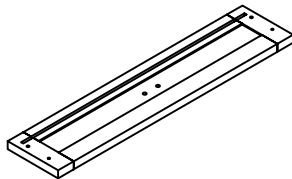
UP BACK PANEL-1PC

**X**



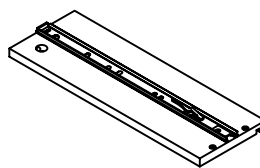
DOWN BACK PANEL-1PC

**Y**



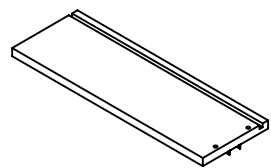
DRAWER FRONT PANEL-2PCS

**Z**



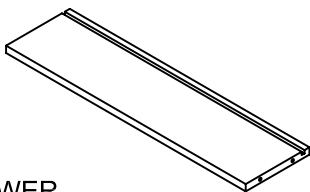
DRAWER  
LEFT SIDE PANEL-2PCS

**AA**



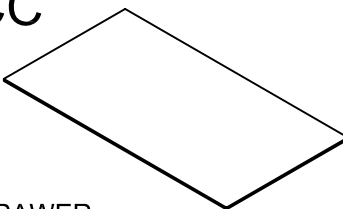
DRAWER  
RIGHT SIDE PANEL-2PCS

**BB**



DRAWER  
BACK PANEL-2PCS

**CC**


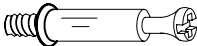



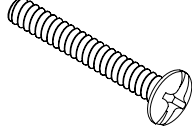
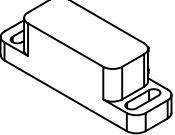


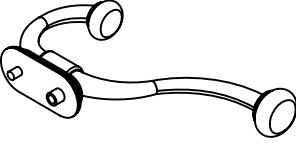
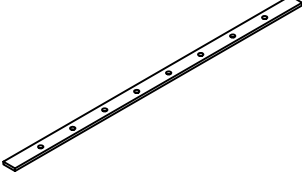
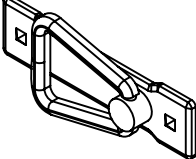


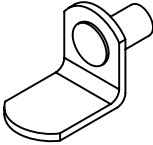
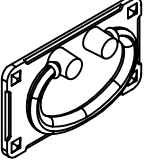


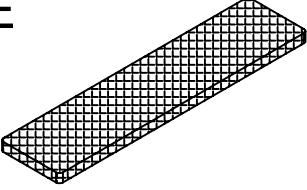


DRAWER  
BOTTOM PANEL-2PCS

**DD**

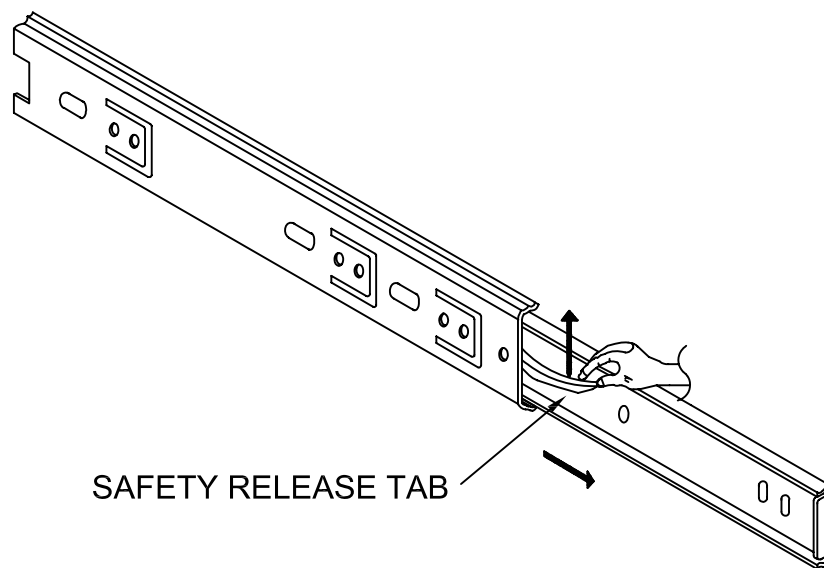


FOOT-5PCS

<p><b>a</b></p>  <p>WOOD DOWEL-64PCS</p>	<p><b>b</b></p>  <p>CAM LOCK BOLT-34PCS</p>	<p><b>c</b></p>  <p>CAM LOCK-34PCS</p>
<p><b>d</b></p>  <p>SHORT PLASTIC COVER-4PCS</p>	<p><b>e</b></p>  <p>LONG PLASTIC COVER-28PCS</p>	<p><b>f</b></p>  <p>Ø1/4"X45mm BOLT-14PCS</p>
<p><b>g</b></p>  <p>MAGNET-2PCS</p>	<p><b>h</b></p>  <p>5/8" ROUND HEAD SCREW-61PCS</p>	<p><b>i</b></p>  <p>1/2" FLAT HEAD SCREW-8PCS</p>
<p><b>j</b></p>  <p>POTHOOK-3PCS</p>	<p><b>k</b></p>  <p>METAL PLATE-2PCS</p>	<p><b>l</b></p>  <p>HANDLE-2PCS</p>
<p><b>m</b></p>  <p>Ø5/32"X19mm HANDLE BOLT-4PCS</p>	<p><b>n</b></p>  <p>1" FLAT HEAD SCREW-20PCS</p>	<p><b>o</b></p>  <p>SHELF PIN-8PCS</p>
<p><b>p</b></p>  <p>DRAWER HANDLE-2PCS</p>	<p><b>q</b></p>  <p>Ø5/32"X10mm BOLT-7PCS</p>	<p><b>r</b></p>  <p>Ø1/4"X25mm BOLT-16PCS</p>
<p><b>ANTI-TIPPING HARDWARE PACKAGE</b></p> <p>1 x4 RECTANGLE METAL PLATE</p> <p>2 x2 1/2"L FLAT HEAD SCREW</p> <p>3 x2 PLASTIC ANCHOR</p> <p>4 x2 PLASTIC BAND</p> <p>5 x2 1-1/2"L FLAT HEAD SCREW</p>		<p><b>EE</b></p>  <p>CUSHION-1PC</p>

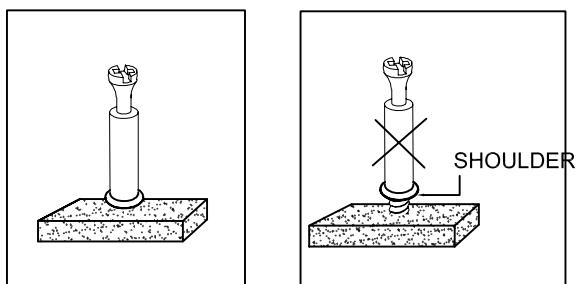
NOTE:THE SURFACE WITH THE STICKER IS THE BACK SIDE

## HOW TO SEPARATE GLIDES



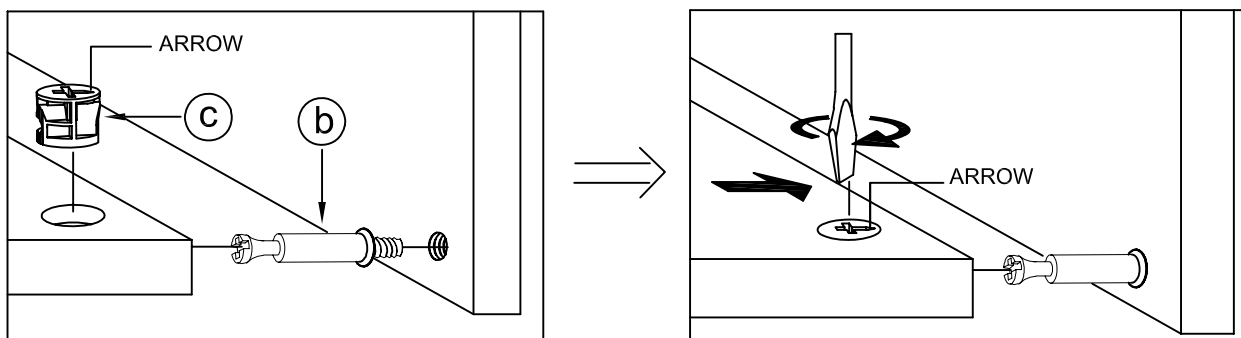
PRIOR TO ASSEMBLY, WE SUGGEST SEPARATING THE INNER GLIDES FROM THE OUTER-GLIDES, SIMPLY PULL THE LEFT/RIGHT INNER GLIDES FROM THE OUTER GLIDES EXPOSING A SMALL BLACK SAFETY RELEASE TAB, BY PUSHING THE SAFETY RELEASE TAB. YOU WILL BE ABLE TO SEPARATE THE GLIDES.

NOTE: • UPON OPENING, THOROUGHLY CLEAN ALL WOOD SURFACES TO REMOVE DUST AND DIRT THAT MAY HAVE SETTLED ONTO THE FINISH DURING SHIPMENT. IN ORDER TO PREVENT DAMAGE DURING ASSEMBLY. PLEASE ASSEMBLE THIS ITEM WITH AT LEAST TWO PEOPLE.



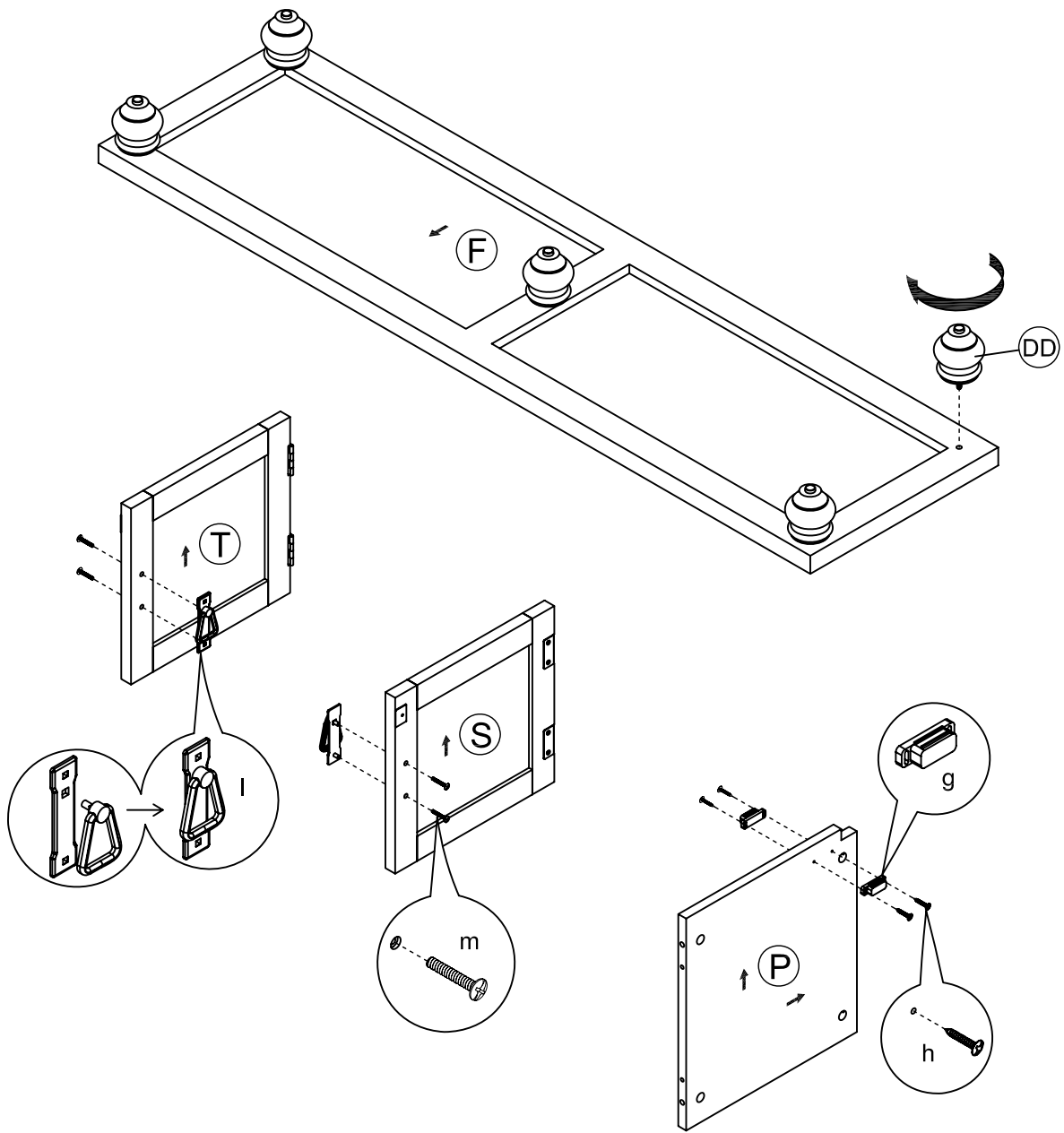
NOTE: TURN THE CAM-BOLT SCREWS UNTIL THEY ARE TIGHT, THE SHOULDER SHOULD BE AGAINST THE SURFACE OF THE PART.

## HOW TO USE THE CAM-TOOL



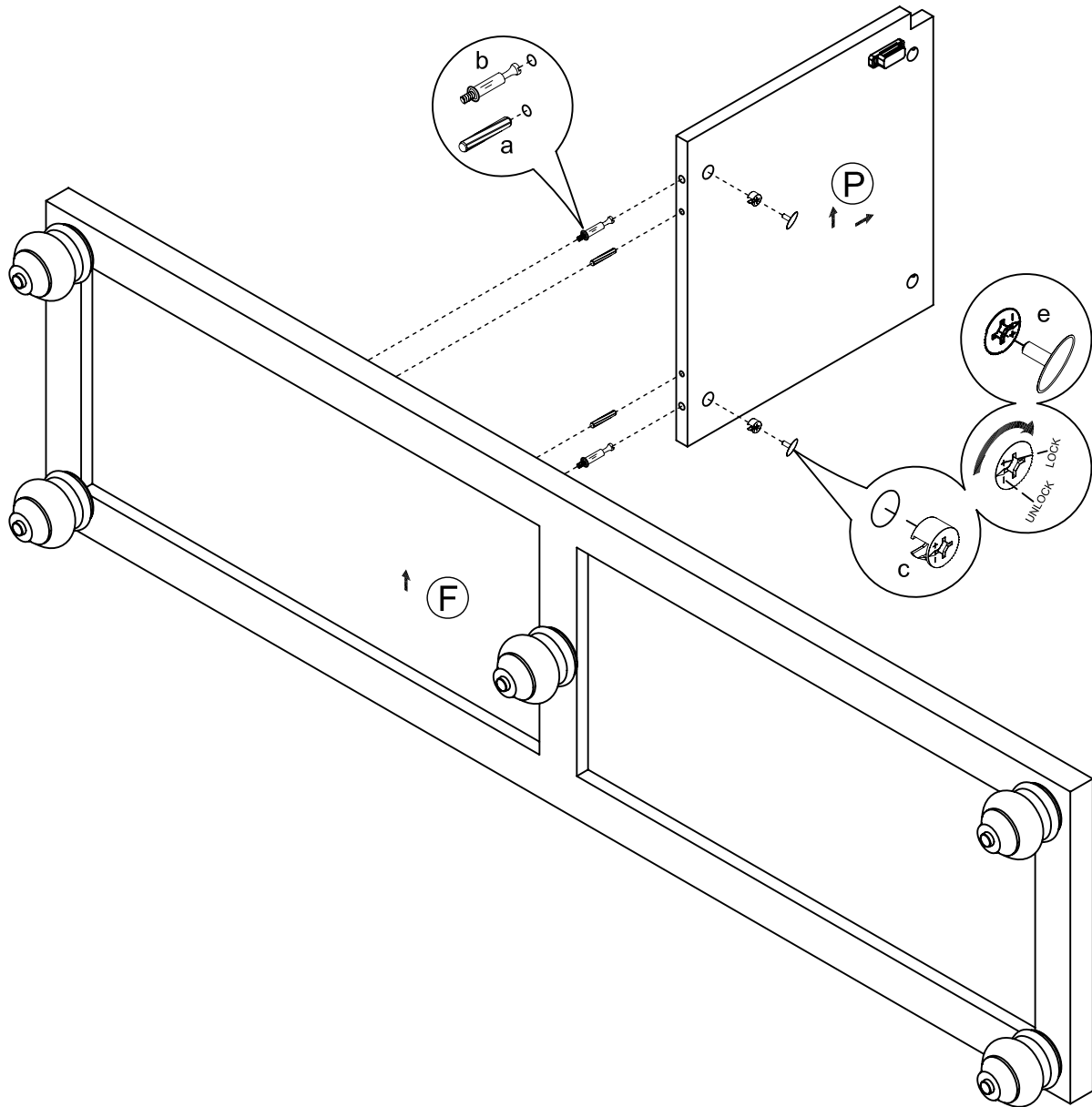
NOTE: • THE ARROWS ON THE HIDDEN CAM-LOCKS SHOULD POINT TO THE CAM-BOLTS.

# FIG 1



- TIGHTEN THE BALL FOOT (DD) TO THE BOTTOM PANEL (F).
- ATTACH THE MAGNET (g) TO THE DOWN LEFT SIDE MIDDLE PANEL (P) BY USING THE 5/8" ROUND HEAD SCREW (h).
- TIGHTEN THE HANDLE (I) ONTO THE LEFT SIDE DOOR (S) AND THE RIGHT SIDE DOOR (T) BY USING THE HANDLE BOLT (m).

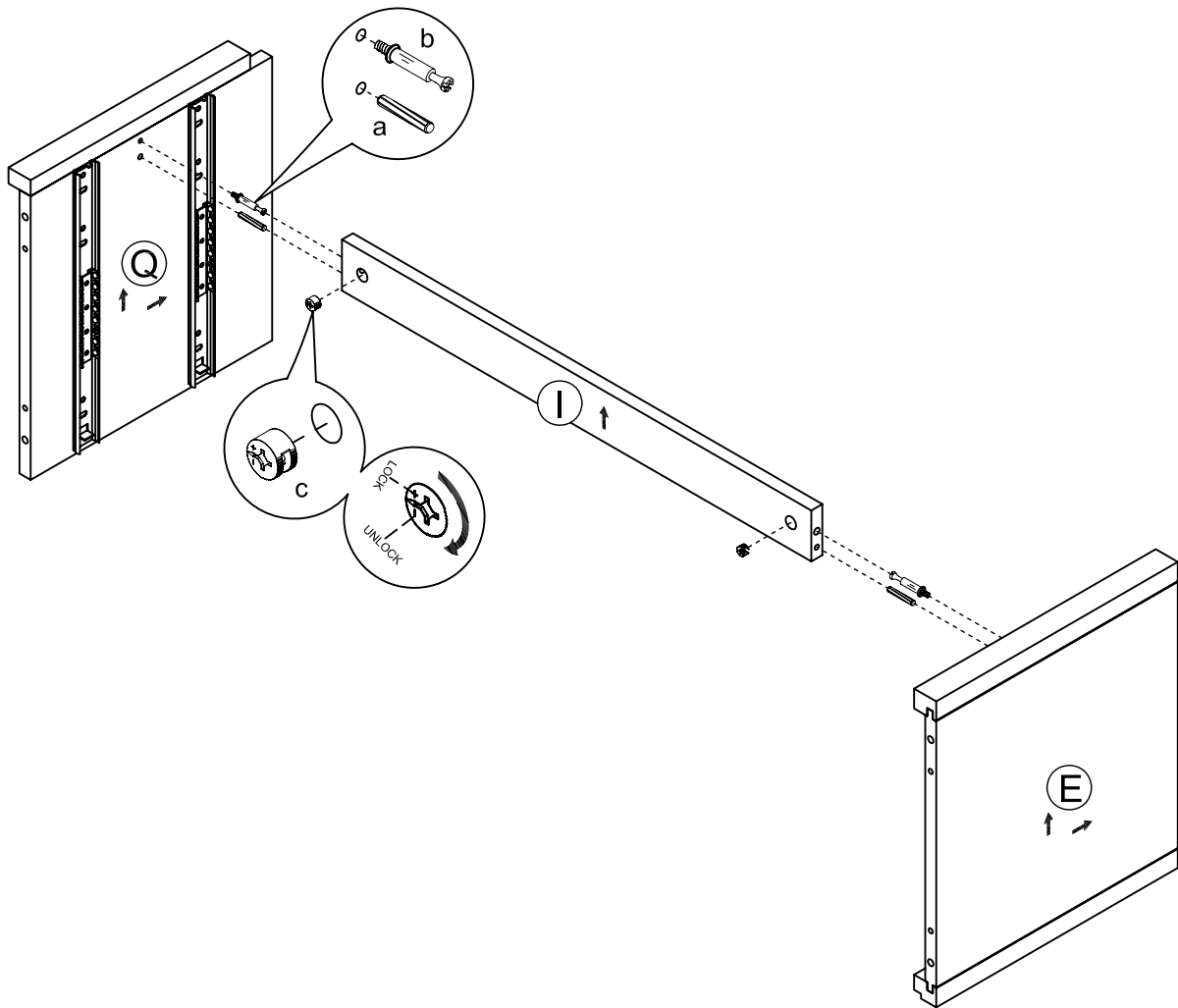
# FIG 2



- INSTALL THE WOOD DOWEL (a) AND THE CAM LOCK BOLT (b) INTO THE BOTTOM PANEL (F).
- JOIN THE DOWN LEFT SIDE MIDDLE PANEL (P) TO THE BOTTOM PANEL (F) BY USING WOOD DOWEL (a) FIRST.
- TIGHTEN THE CAM LOCK BOLT (b) BY USING THE CAM LOCK (c) FROM PRE-DRILLED HOLES.
- COVER THE CAM HOLES WITH LONG PLASTIC COVER (e).

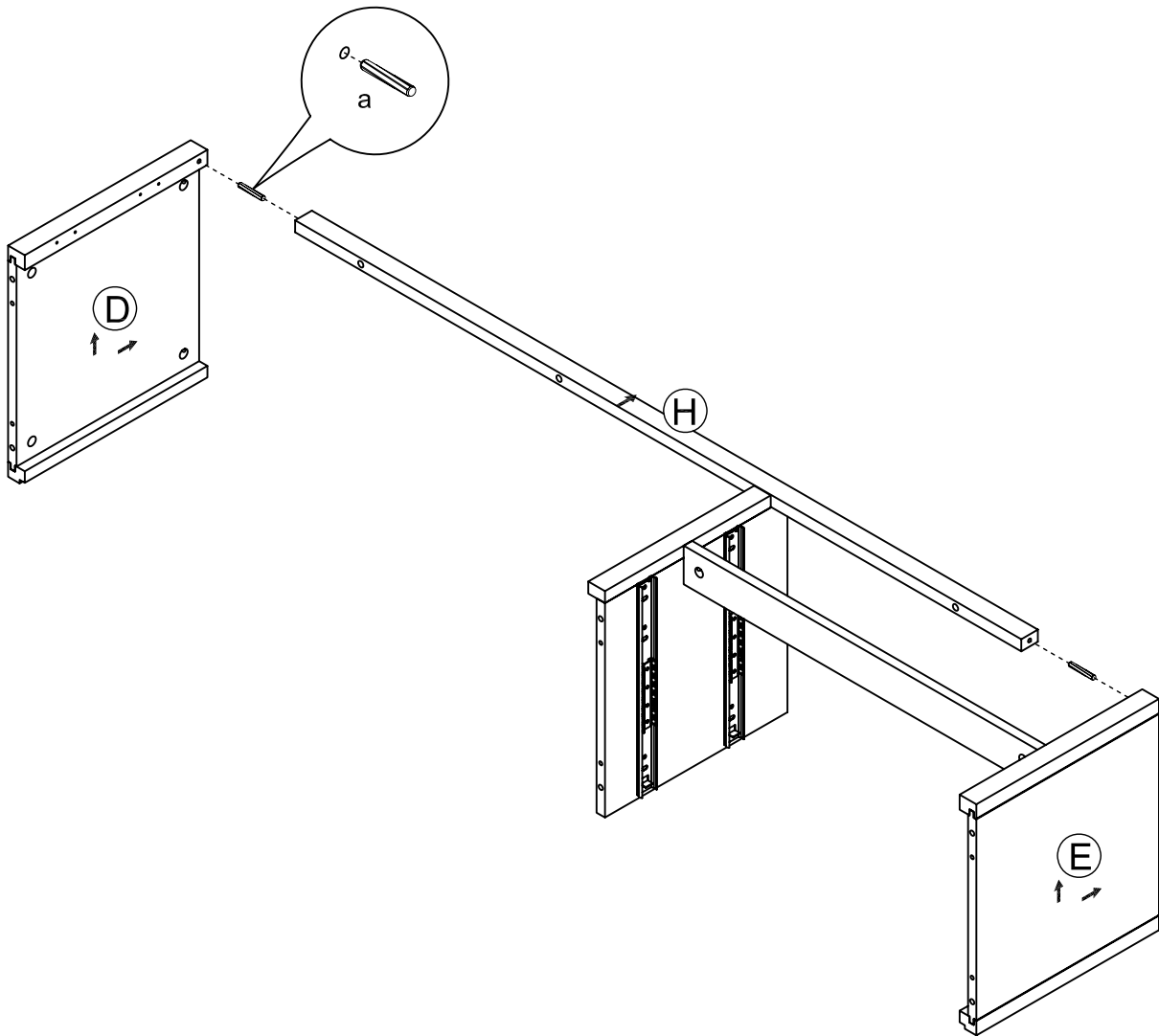


# FIG 3



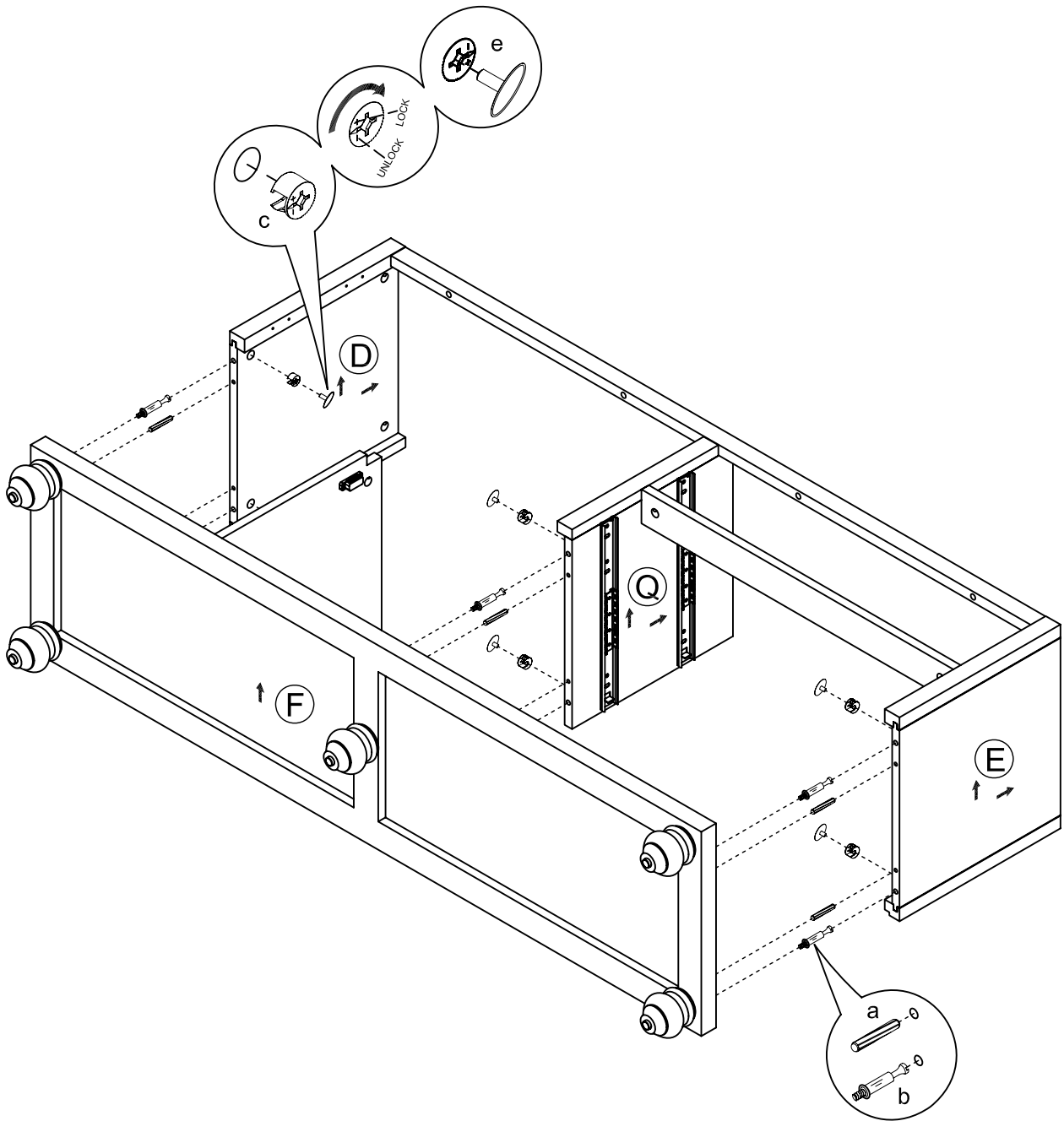
- INSTALL THE WOOD DOWEL (a) AND THE CAM LOCK BOLT (b) INTO THE DOWN RIGHT SIDE MIDDLE PANEL (Q) AND THE DOWN RIGHT SIDE PANEL (E).
- JOIN THE DOWN CROSS BRACE (I) TO THE DOWN RIGHT SIDE MIDDLE PANEL (Q) AND THE DOWN RIGHT SIDE PANEL (E) BY USING WOOD DOWEL (a) FIRST.
- TIGHTEN THE CAM LOCK BOLT (b) BY USING THE CAM LOCK (c) FROM PRE-DRILLED HOLES.

# FIG 4



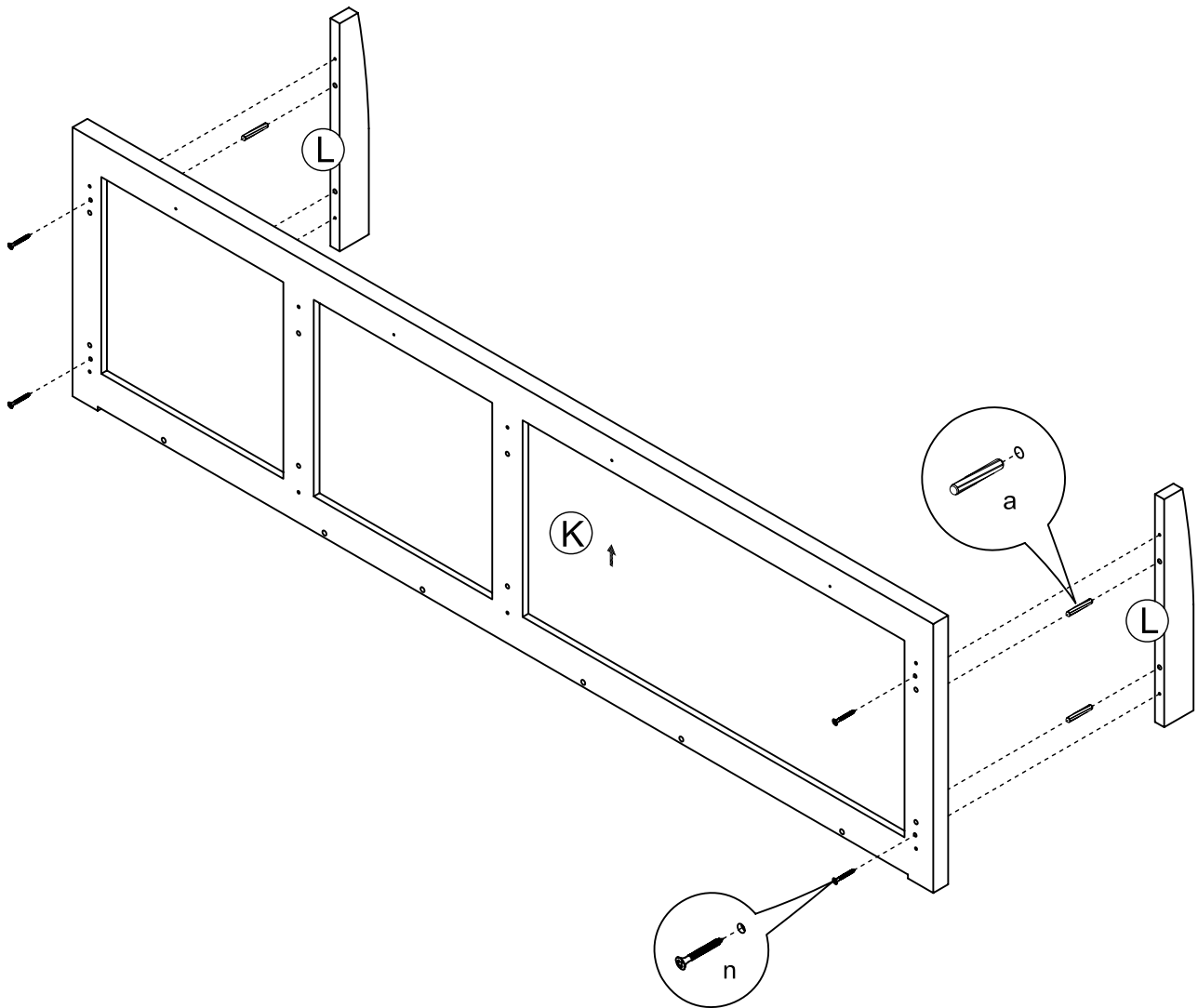
- INSTALL THE WOOD DOWEL (a) INTO THE DOWN LEFT SIDE PANEL (D) AND THE DOWN RIGHT SIDE PANEL (E).
- JOIN THE MIDDLE CROSS BRACE (H) TO THE DOWN LEFT SIDE PANEL (D) AND THE DOWN RIGHT SIDE PANEL (E) BY USING WOOD DOWEL (a) FIRST.

# FIG 5



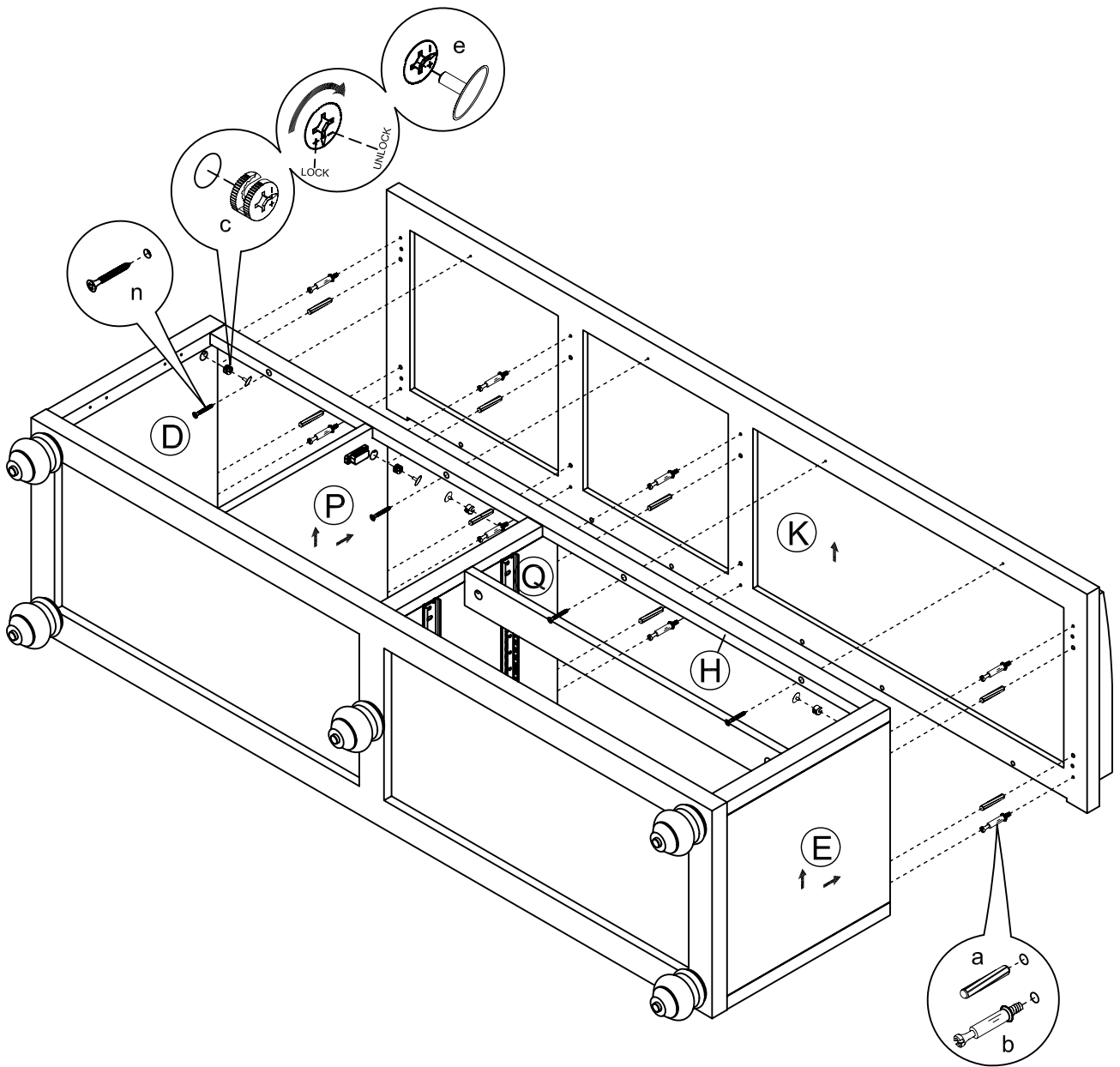
- INSTALL THE WOOD DOWEL (a) AND THE CAM LOCK BOLT (b) INTO THE BOTTOM PANEL (F).
- JOIN THE BOTTOM PANEL (F) TO THE DOWN LEFT SIDE PANEL (D) THE DOWN RIGHT SIDE MIDDLE PANEL (Q) AND THE DOWN RIGHT SIDE PANEL (E) BY USING WOOD DOWEL (a) FIRST.
- TIGHTEN THE CAM LOCK BOLT (b) BY USING THE CAM LOCK (c) FROM PRE-DRILLED HOLES.
- COVER THE CAM HOLES WITH LONG PLASTIC COVER (e).

# FIG 6



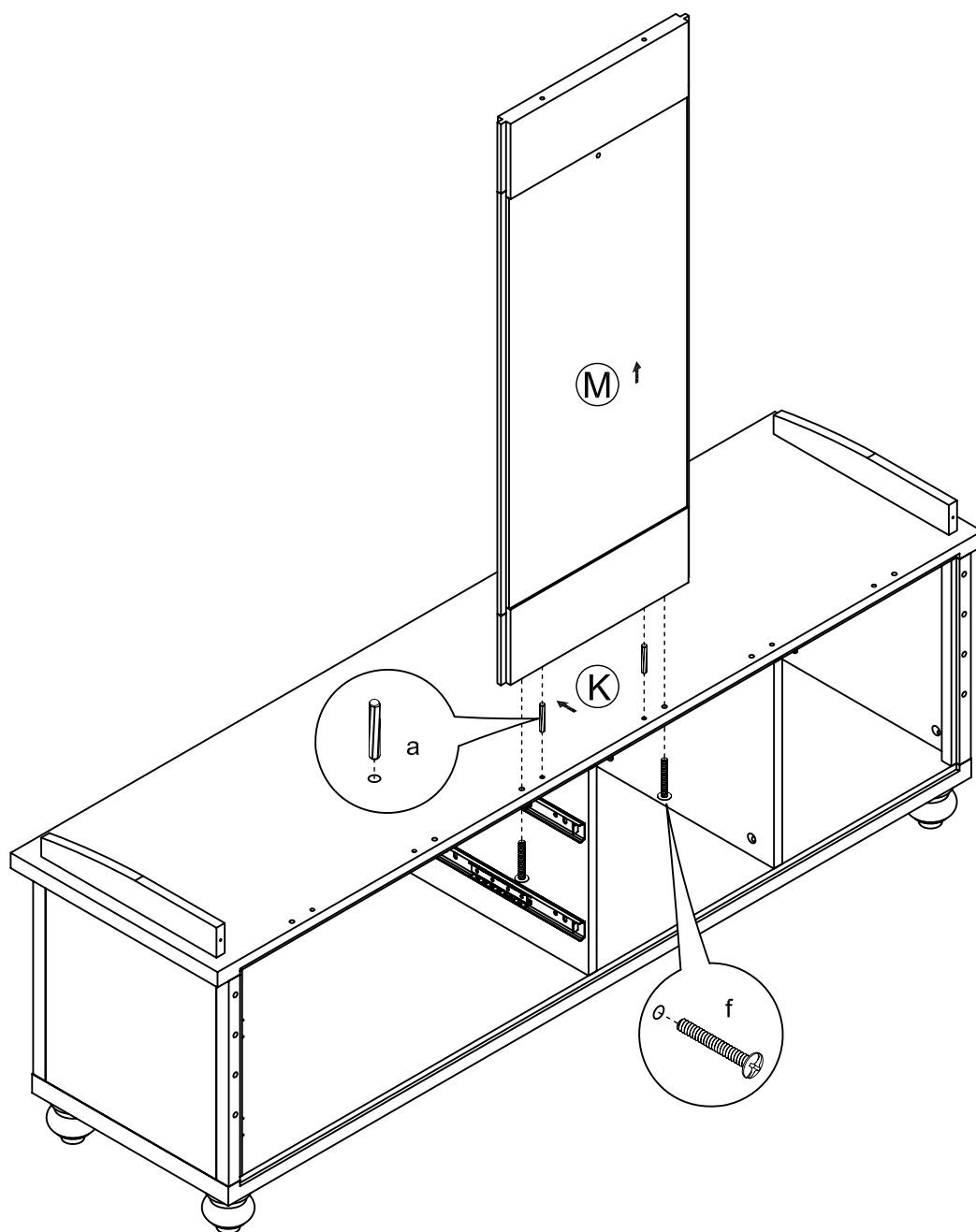
- JOIN THE SIDE CROSS BRACE (L) TO THE DOWN FIXED PANEL (K) BY USING WOOD DOWEL (a) AND THE 1" FLAT HEAD SCREW (n) FIRST.

# FIG 7



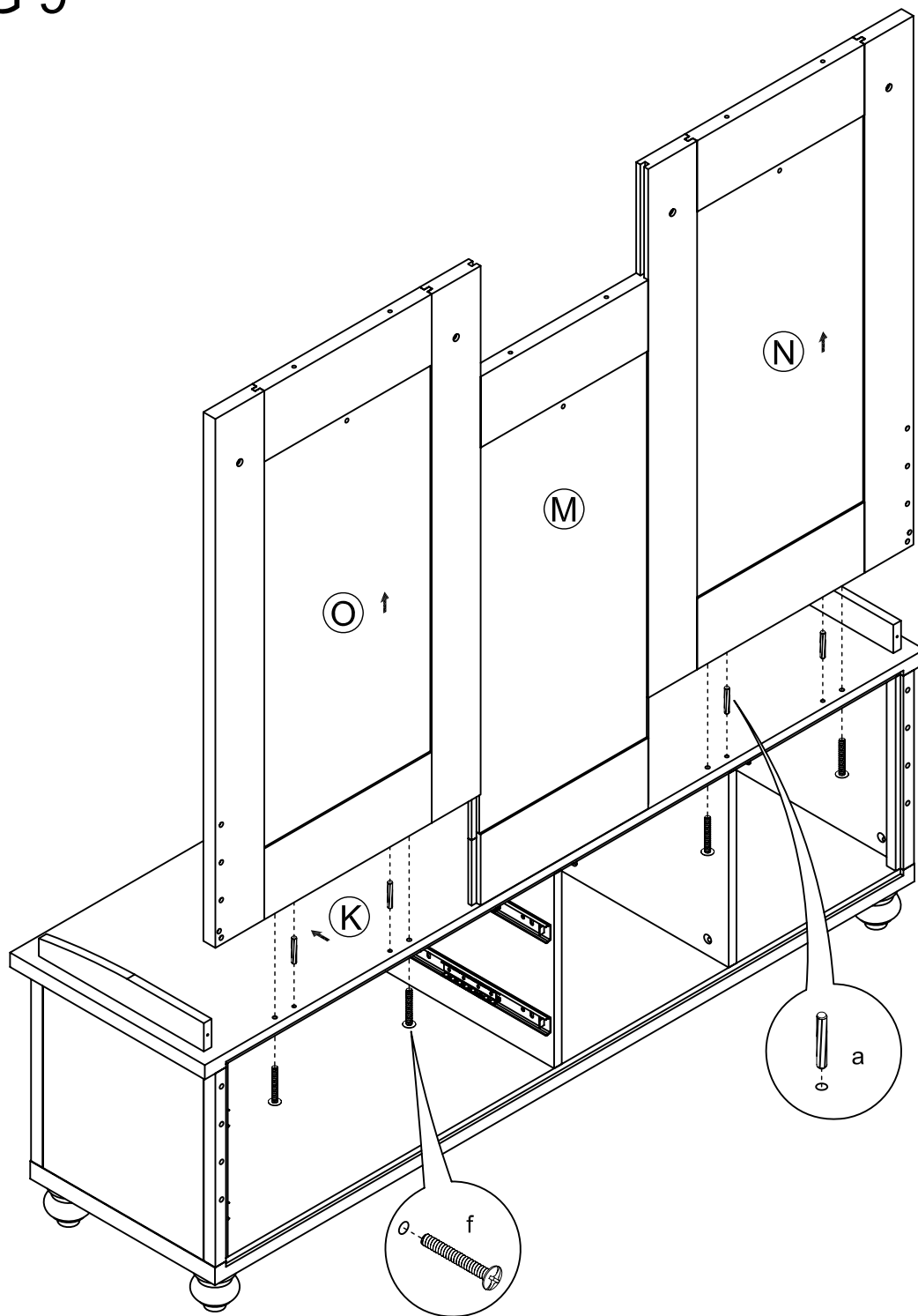
- INSTALL THE WOOD DOWEL (a) AND THE CAM LOCK BOLT (b) INTO THE DOWN FIXED PANEL (K).
- JOIN THE DOWN FIXED PANEL (K) TO THE ASSEMBLED PART BY USING WOOD DOWEL (a) FIRST.
- TIGHTEN THE CAM LOCK BOLT (b) BY USING THE CAM LOCK (c) FROM PRE-DRILLED HOLES.
- COVER THE CAM HOLES WITH LONG PLASTIC COVER (e).
- TIGHTEN THE MIDDLE CROSS BRACE (H) BY USING THE 1" FLAT HEAD SCREW (n) THROUGH PRE-DRILLED HOLES.

FIG 8



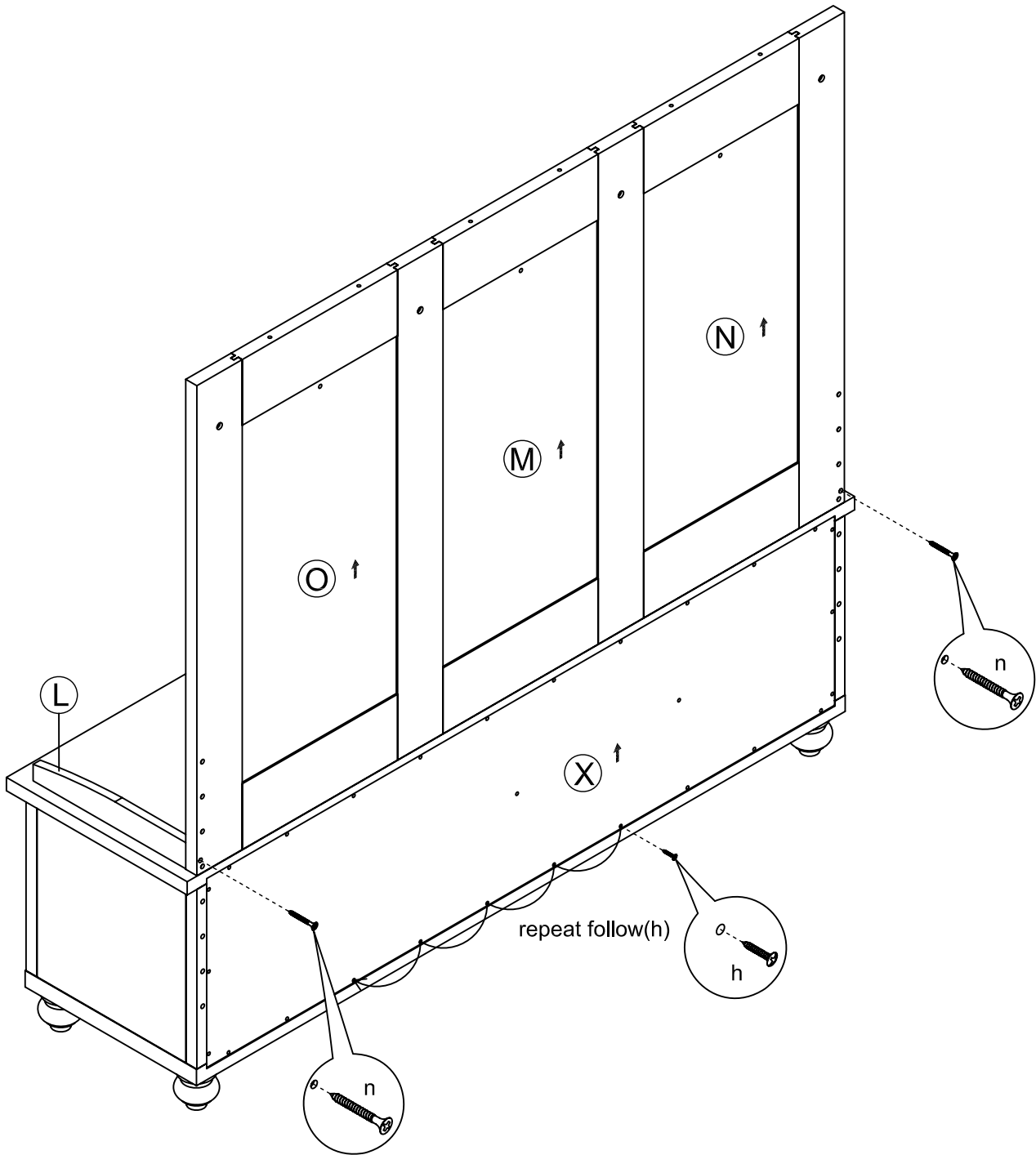
- JOIN THE MIDDLE BACK PANEL (M) TO THE DOWN FIXED PANEL (K) BY USING WOOD DOWEL (a) AND THE BOLT (f) FIRST.

FIG 9



- THERE ARE GROOVES ON (O) AND (N) TO LINE UP WITH (M).
- JOIN THE LEFT SIDE BACK PANEL (N) AND THE RIGHT SIDE BACK PANEL (O) TO THE DOWN FIXED PANEL (K) BY USING WOOD DOWEL (a) AND THE BOLT (f) FIRST.

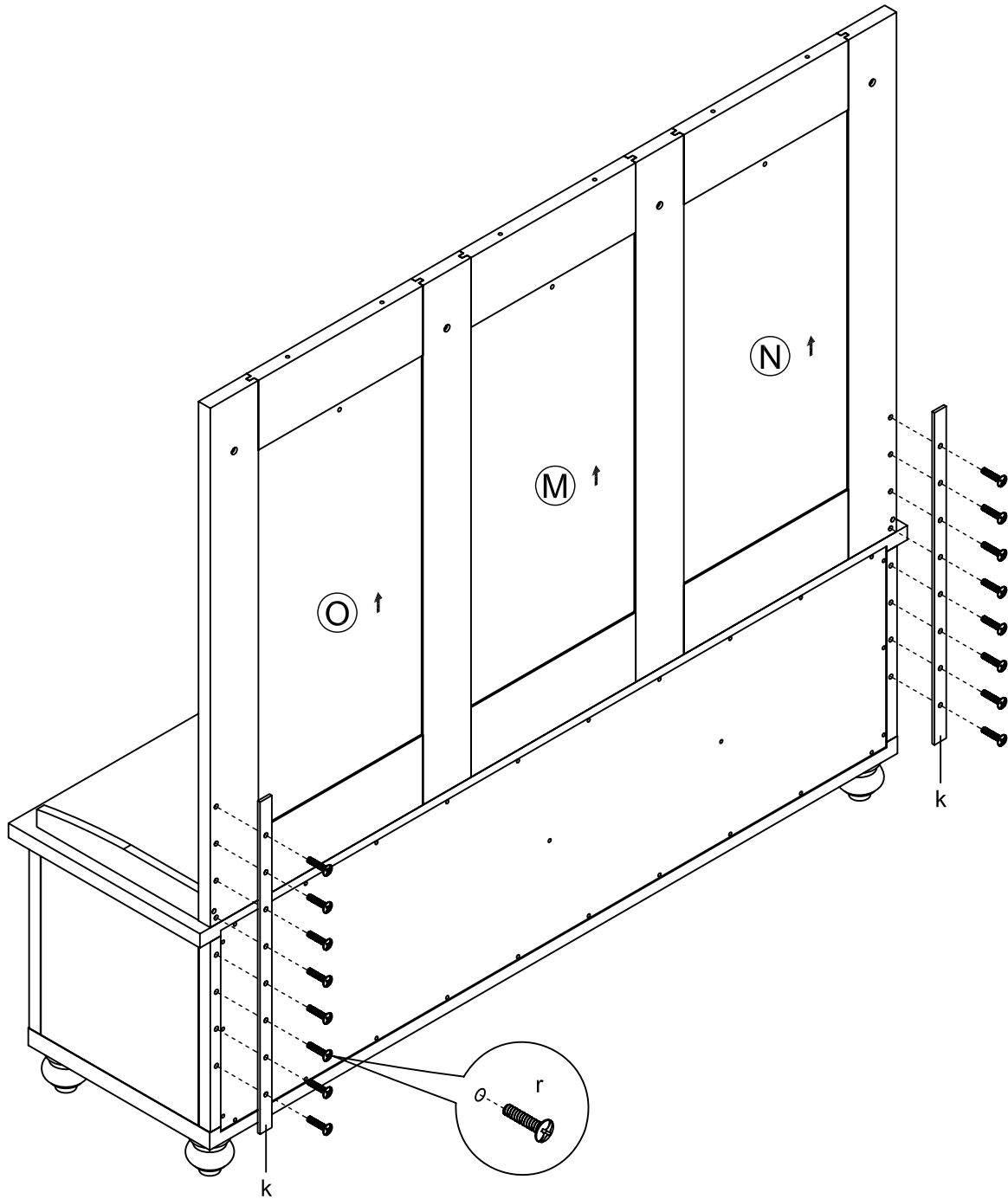
FIG 10



- TIGHTEN THE LEFT SIDE BACK PANEL (N) AND THE RIGHT SIDE BACK PANEL (O) BY USING THE 1" FLAT HEAD SCREW (n) THROUGH PRE-DRILLED HOLES.
- TIGHTEN THE DOWN BACK PANEL (X) BY USING THE 5/8" ROUND HEAD SCREW (h).

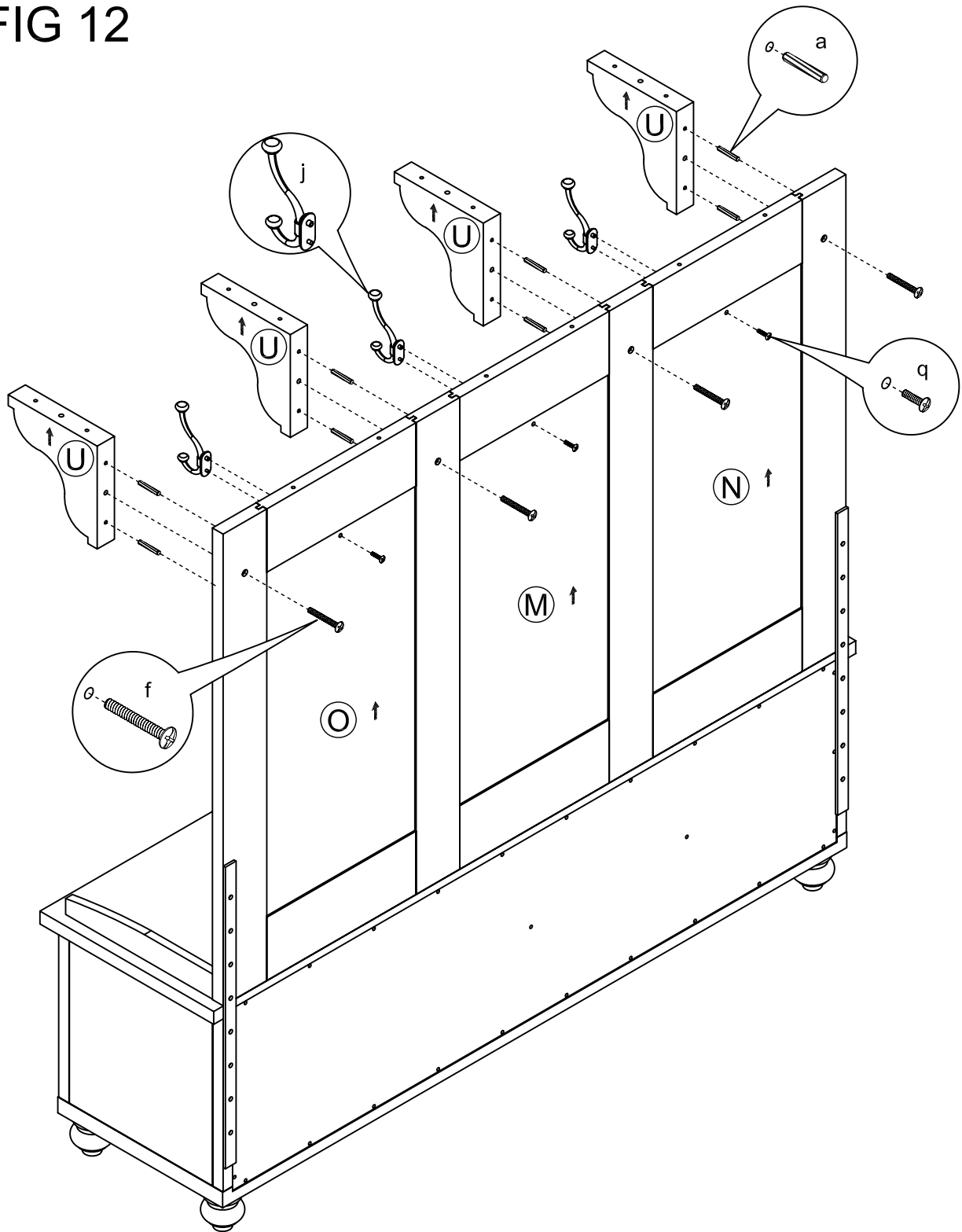


FIG 11



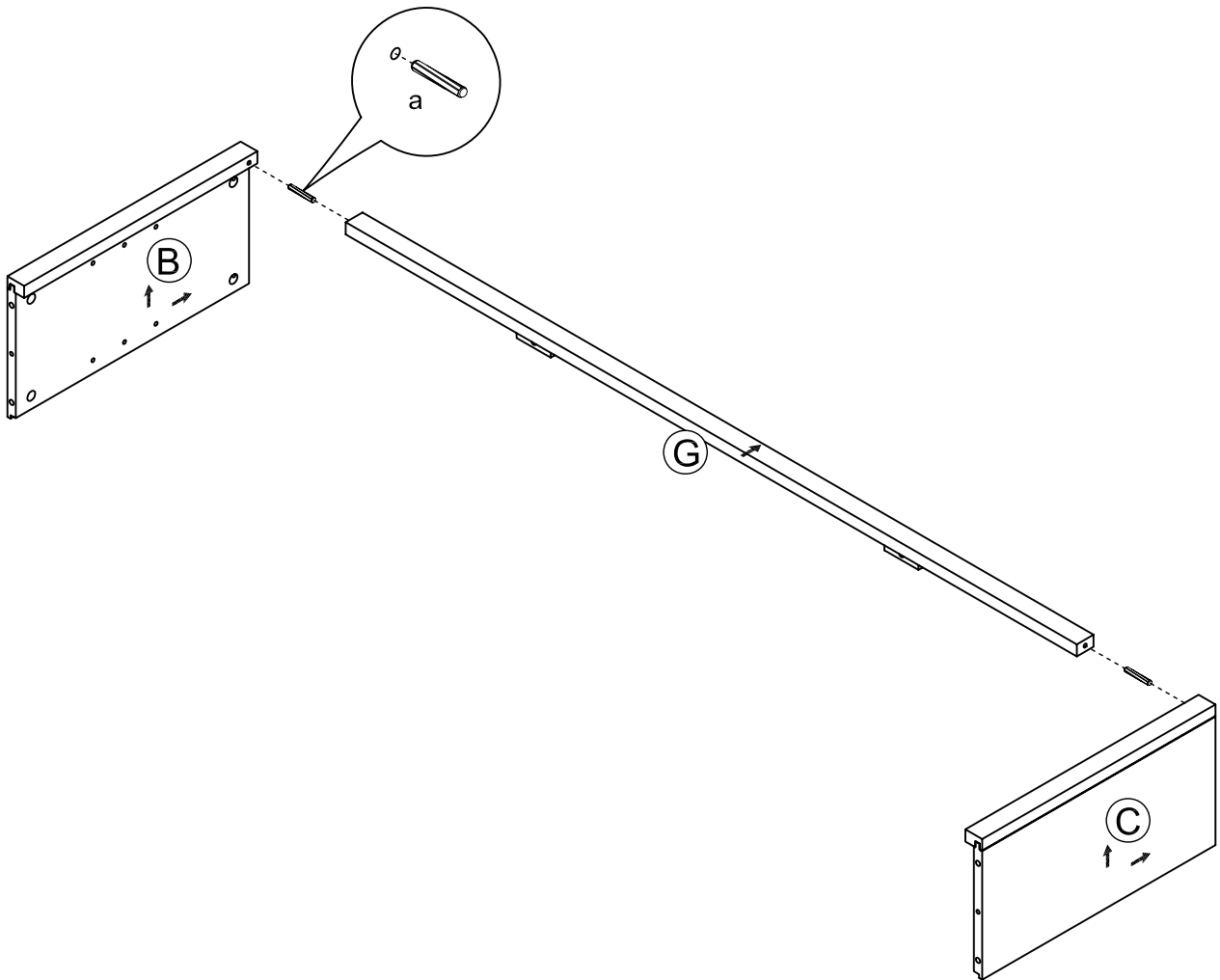
• TIGHTEN THE ASSEMBLED PARTS BY USING THE BOLT (r) AND THE METAL PLATE (k).

FIG 12



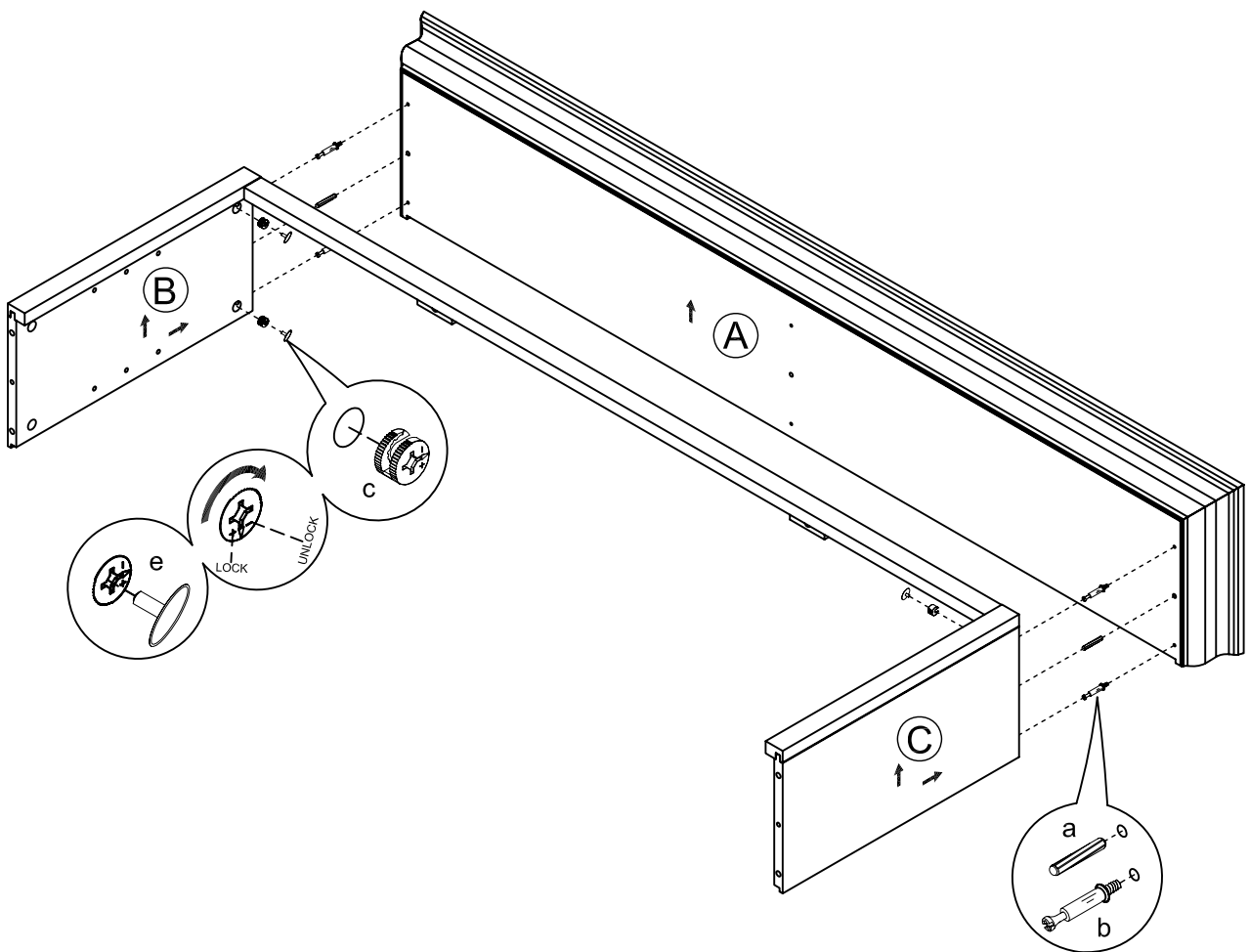
- ATTACH THE POTHOOK (j) TO THE MIDDLE BACK PANEL (M) THE LEFT SIDE BACK PANEL (N) AND THE RIGHT SIDE BACK PANEL (O) BY USING THE BOLT (q).
- JOIN THE PARTITION (U) TO THE MIDDLE BACK PANEL (M) THE LEFT SIDE BACK PANEL (N) AND THE RIGHT SIDE BACK PANEL (O) BY USING WOOD DOWEL (a) AND THE BOLT (f) FIRST.

# FIG 13



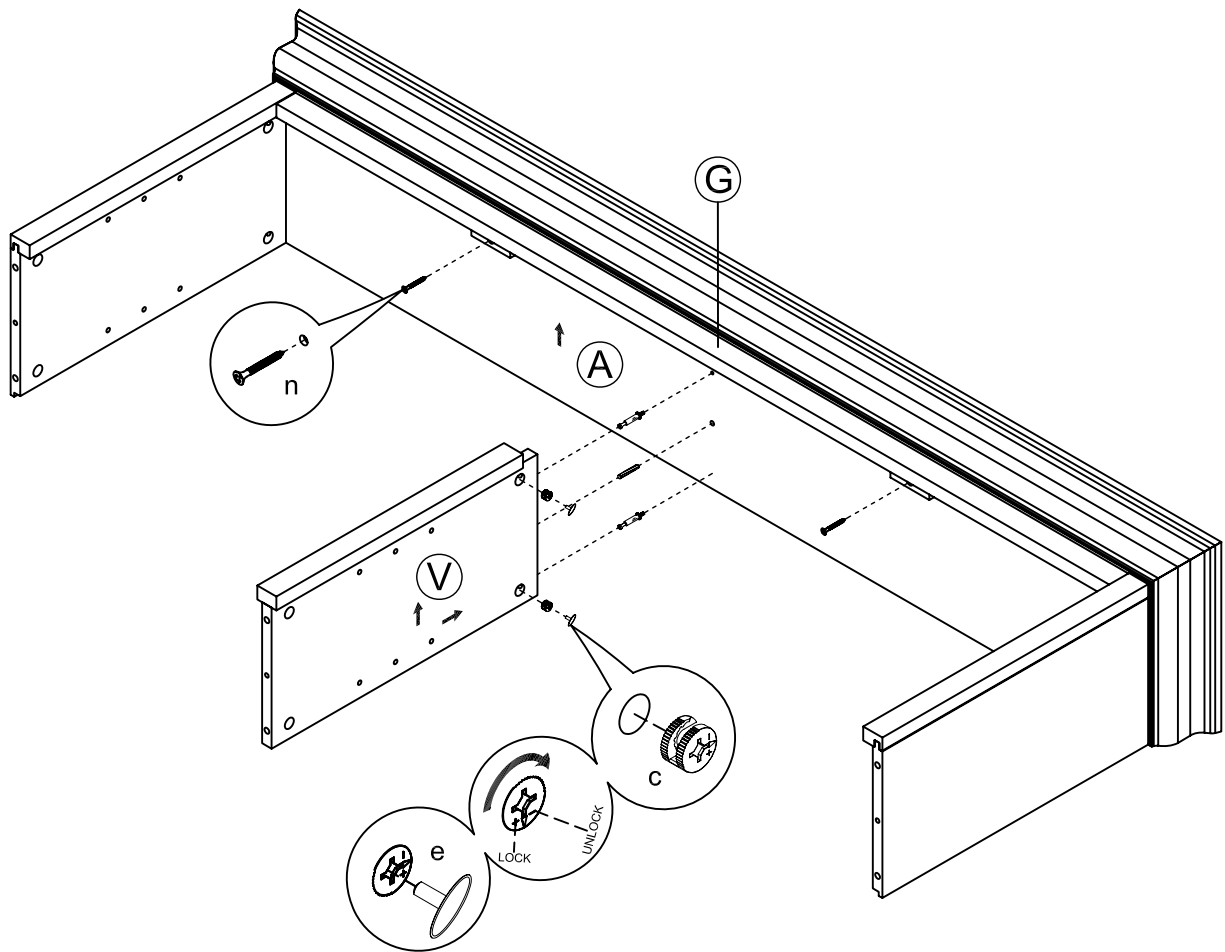
- INSTALL THE WOOD DOWEL (a) INTO THE UP LEFT SIDE PANEL (B) AND THE UP RIGHT SIDE PANEL (C).
- JOIN THE UP CROSS BRACE (G) TO THE UP LEFT SIDE PANEL (B) AND THE UP RIGHT SIDE PANEL (C) BY USING WOOD DOWEL (a) FIRST.

# FIG 14



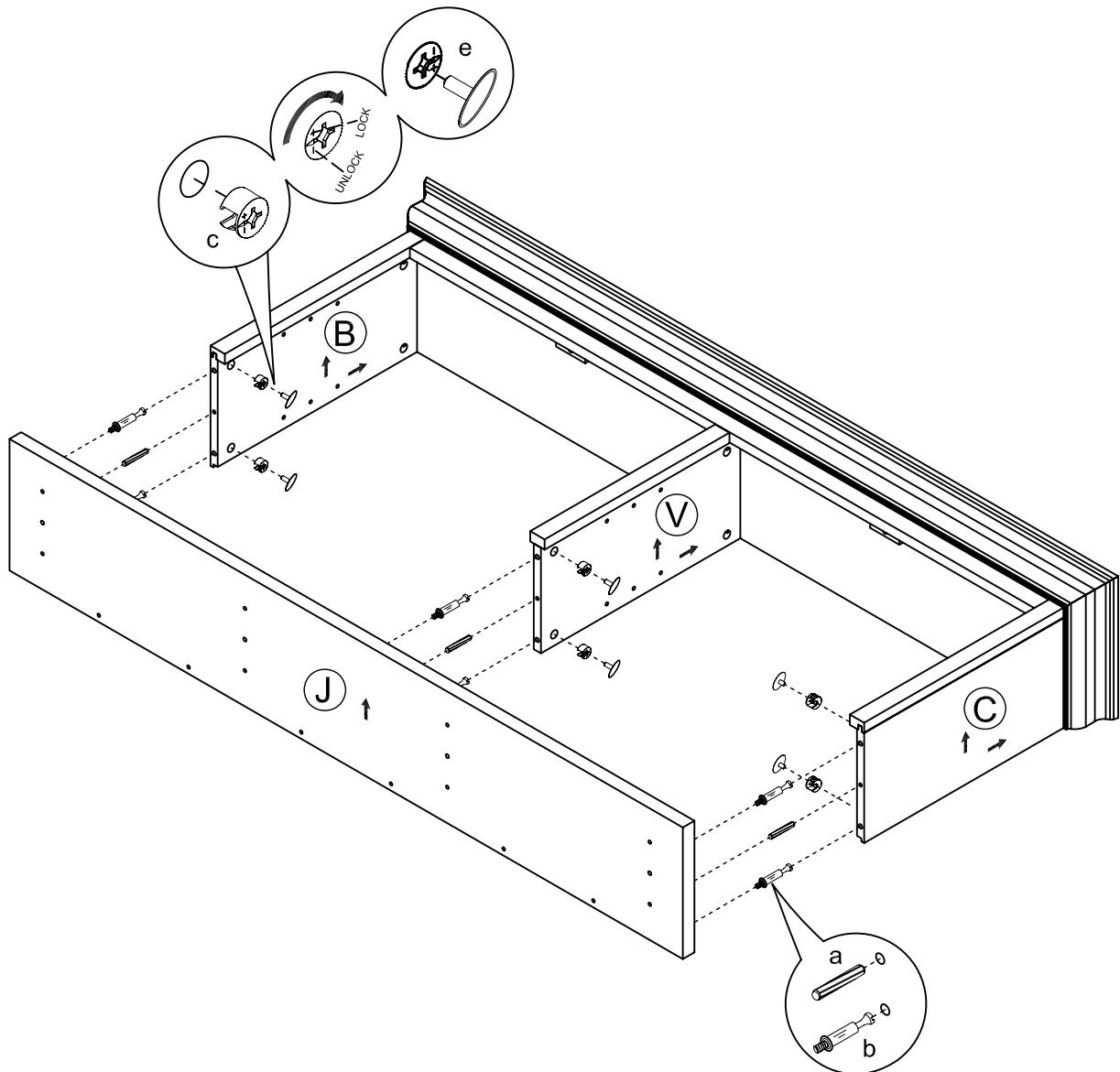
- INSTALL THE WOOD DOWEL (a) AND THE CAM LOCK BOLT (b) INTO THE TOP PANEL (A).
- JOIN THE TOP PANEL (A) TO THE UP LEFT SIDE PANEL (B) AND THE UP RIGHT SIDE PANEL (C) BY USING WOOD DOWEL (a) FIRST.
- TIGHTEN THE CAM LOCK BOLT (b) BY USING THE CAM LOCK (c) FROM PRE-DRILLED HOLES.
- COVER THE CAM HOLES WITH LONG PLASTIC COVER (e).

# FIG 15



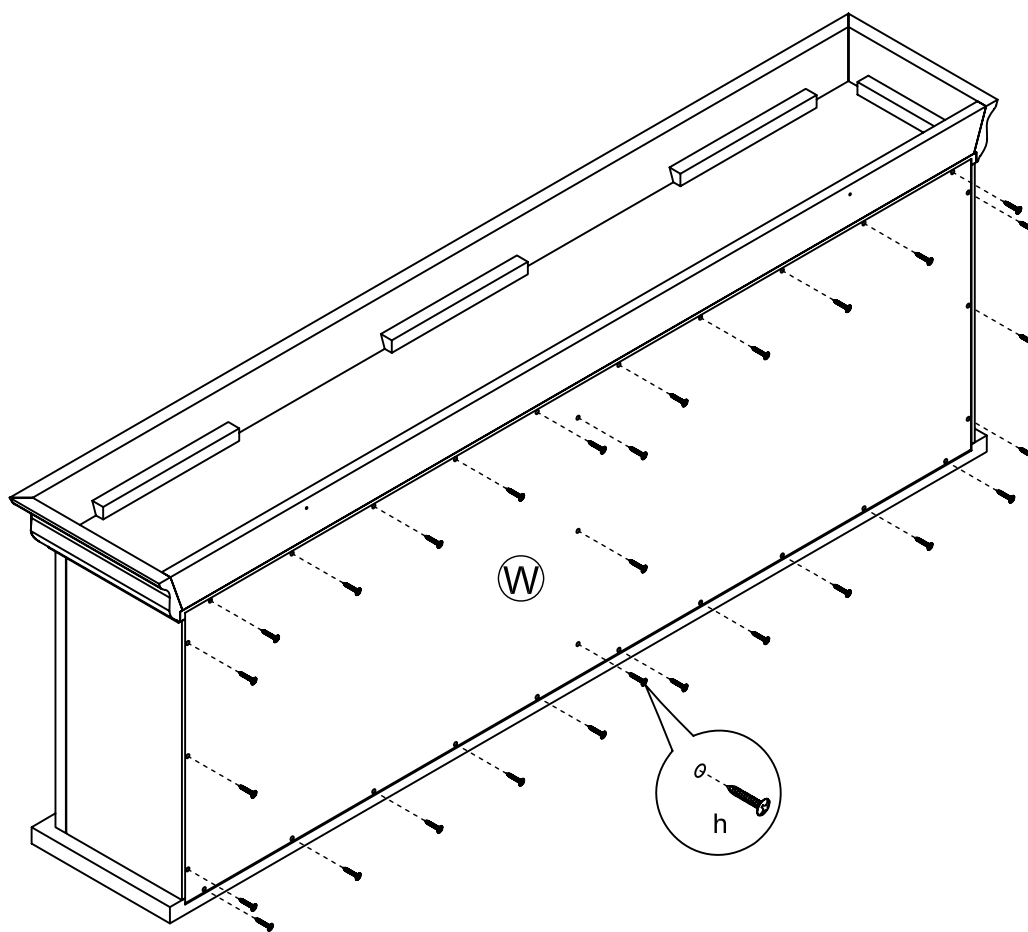
- TIGHTEN THE UP CROSS BRACE (G) BY USING THE 1" FLAT HEAD SCREW (n) THROUGH PRE-DRILLED HOLES.
- INSTALL THE WOOD DOWEL (a) AND THE CAM LOCK BOLT (b) INTO THE TOP PANEL (A).
- JOIN THE UP MIDDLE PANEL (V) TO THE TOP PANEL (A) BY USING WOOD DOWEL (a) FIRST.
- TIGHTEN THE CAM LOCK BOLT (b) BY USING THE CAM LOCK (c) FROM PRE-DRILLED HOLES.
- COVER THE CAM HOLES WITH LONG PLASTIC COVER (e).

# FIG 16



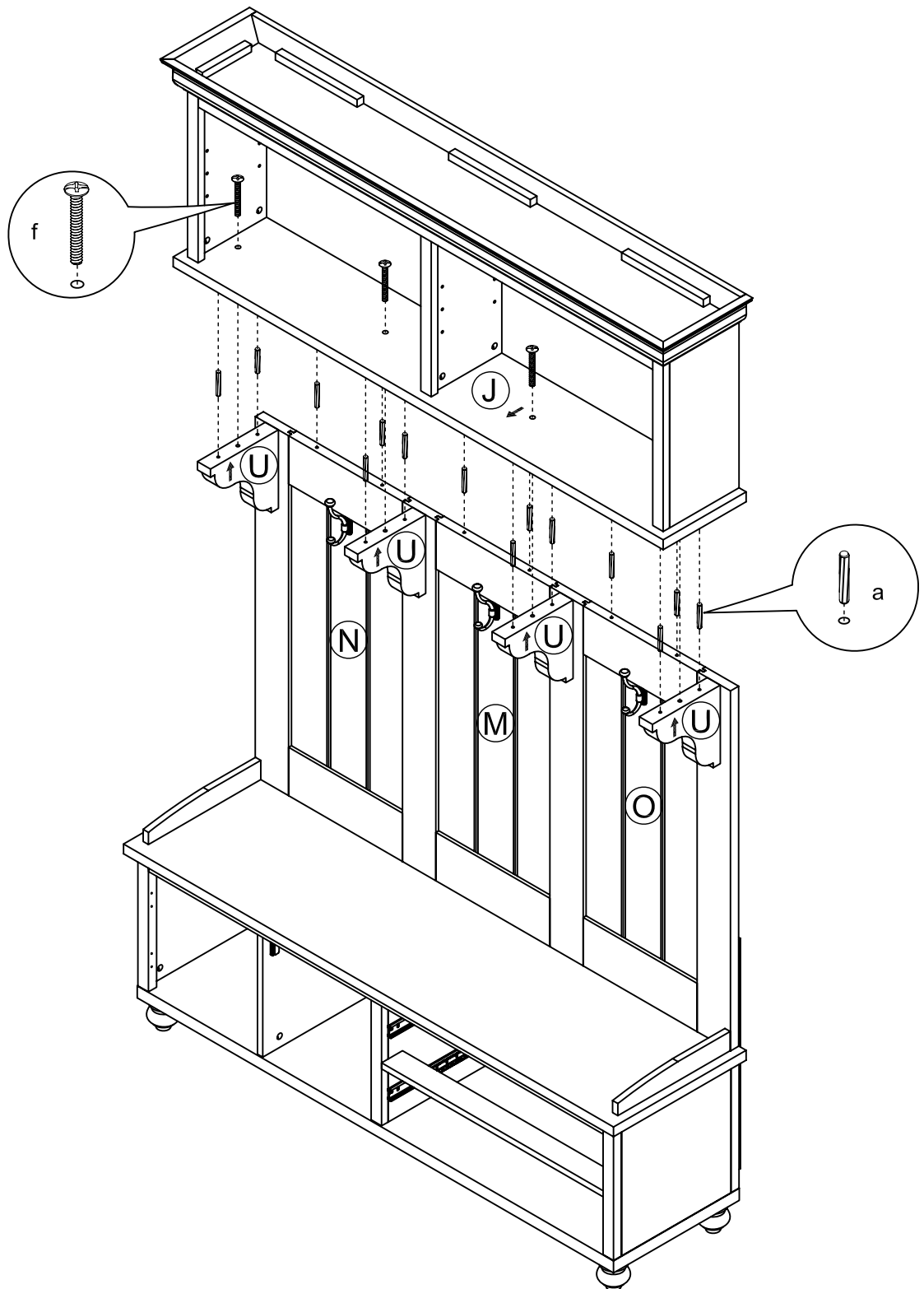
- INSTALL THE WOOD DOWEL (a) AND THE CAM LOCK BOLT (b) INTO THE UP FIXED PANEL (J).
- JOIN THE UP FIXED PANEL (J) TO THE UP LEFT SIDE PANEL (B) THE UP MIDDLE PANEL (V) AND THE UP RIGHT SIDE PANEL (C) BY USING WOOD DOWEL (a) FIRST.
- TIGHTEN THE CAM LOCK BOLT (b) BY USING THE CAM LOCK (c) FROM PRE-DRILLED HOLES.
- COVER THE CAM HOLES WITH LONG PLASTIC COVER (e).

FIG 17



- TIGHTEN THE UP BACK PANEL (W) BY USING THE 5/8" ROUND HEAD SCREW (h).

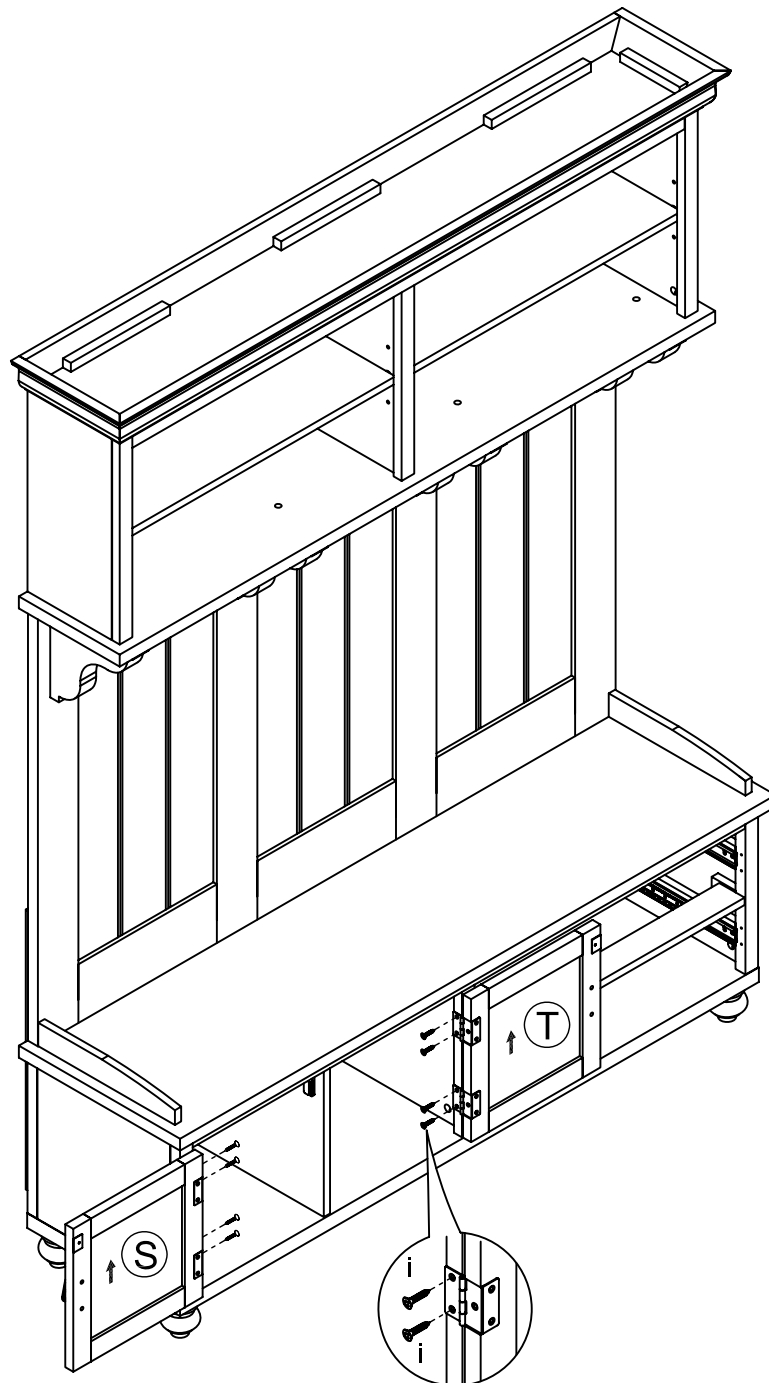
FIG 18



• JOIN THE TWO ASSEMBLED PARTS BY USING WOOD DOWEL (a) AND THE BOLT (f) FIRST.

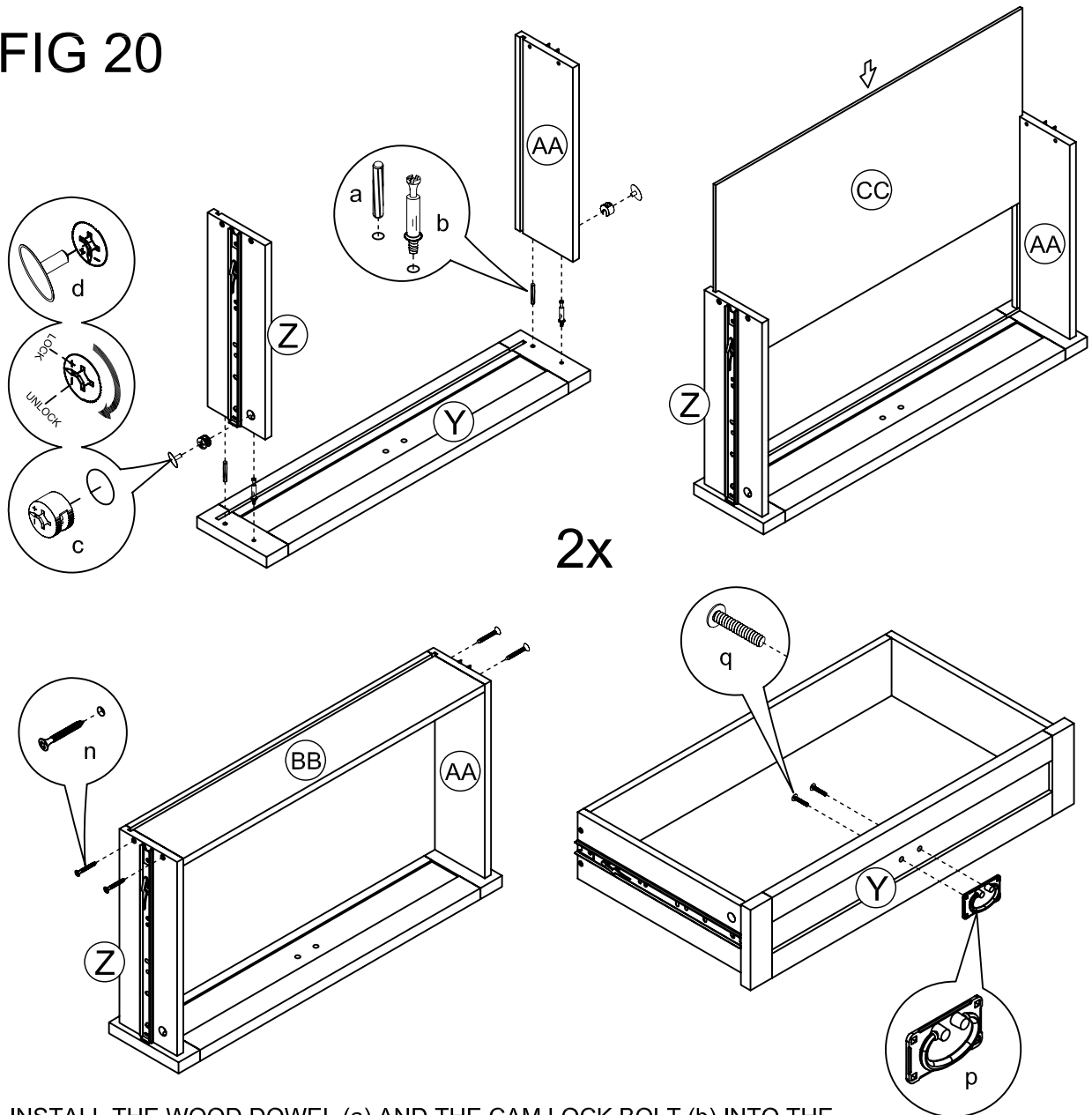


FIG 19



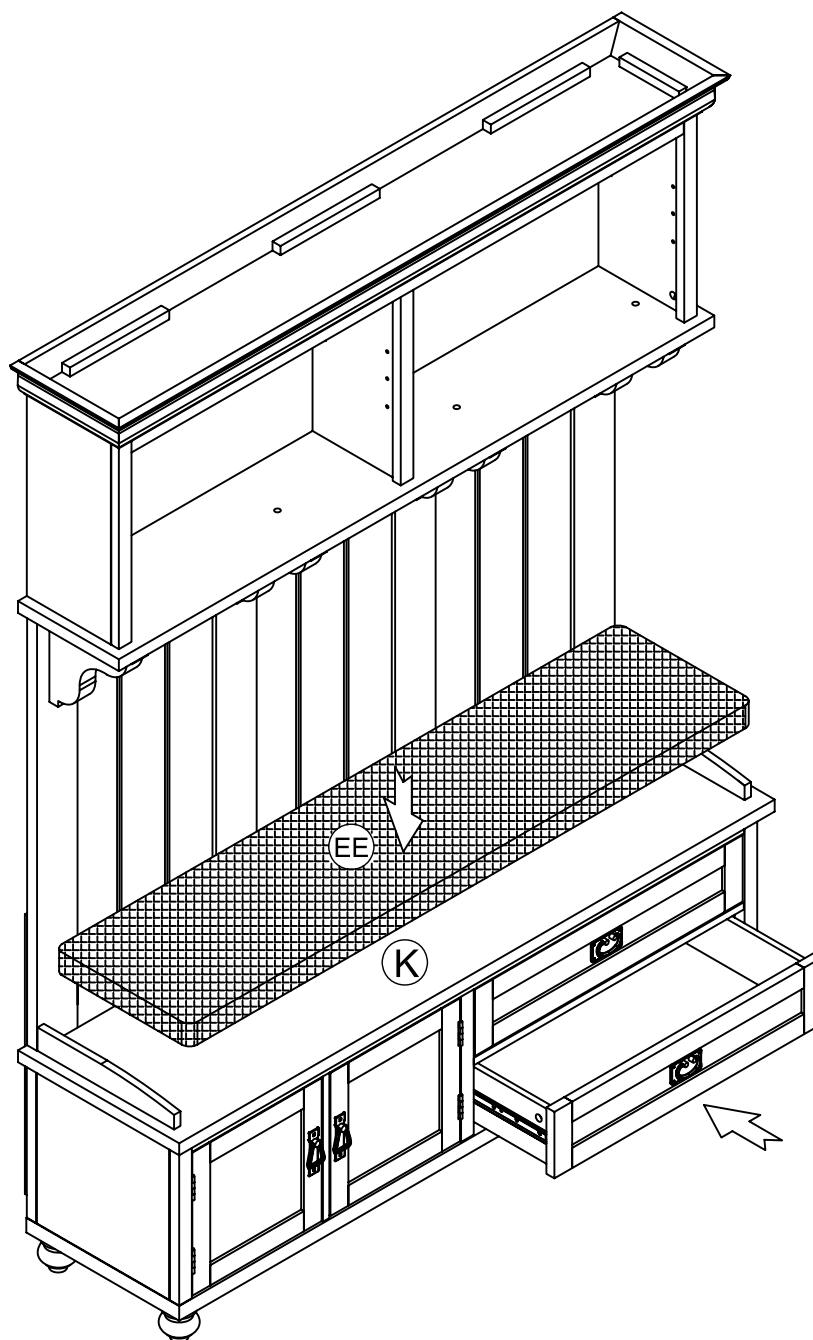
- ATTACH THE LEFT SIDE DOOR (S) AND THE RIGHT SIDE DOOR (T) TO THE ASSEMBLED PART BY USING THE 1/2" FLAT HEAD SCREW (i).

# FIG 20



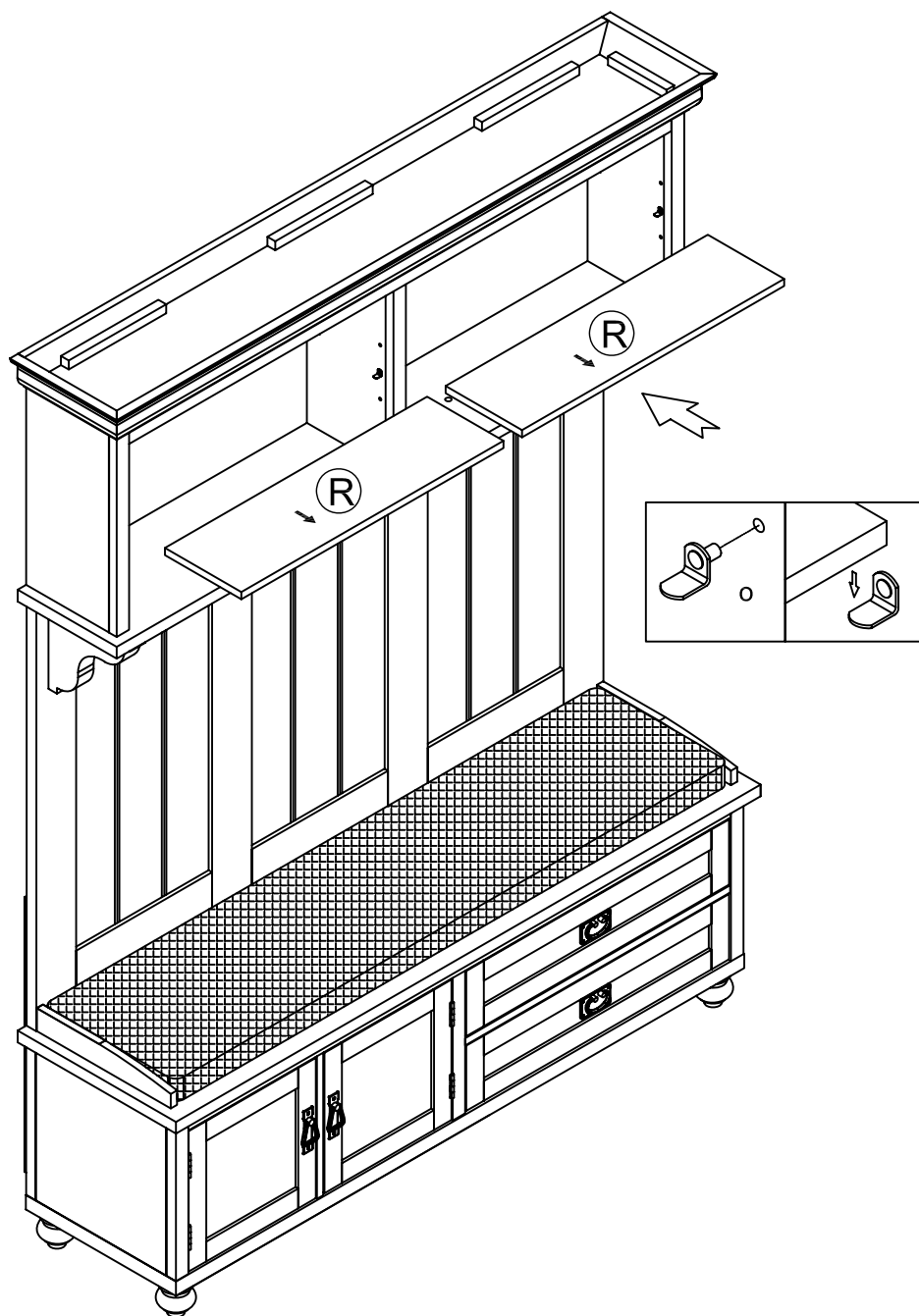
- INSTALL THE WOOD DOWEL (a) AND THE CAM LOCK BOLT (b) INTO THE DRAWER FRONT PANEL (Y).
- JOIN THE DRAWER LEFT SIDE PANEL (Z) AND THE DRAWER RIGHT SIDE PANEL (AA) TO THE DRAWER FRONT PANEL (Y).
- ONCE JOINED, TIGHTEN CAM LOCK (c) ONTO THE CAM LOCK BOLT (b) USING PRE-DRILLED HOLES.
- COVER CAM HOLES WITH THE SHORT PLASTIC COVER (d).
- SLIDE THE DRAWER BOTTOM PANEL (CC) INTO THE GROOVES ON THE DRAWER LEFT SIDE PANEL (Z) AND THE DRAWER RIGHT SIDE PANEL (AA).
- JOIN THE DRAWER BACK PANEL (BB) TO THE ASSEMBLED DRAWER PART AND TIGHTEN THE DRAWER BACK PANEL (BB) BY USING THE 1" FLAT HEAD SCREW (n) THROUGH PRE-DRILLED HOLES ON DRAWER SIDE PANELS.
- TIGHTEN THE DRAWER HANDLE (p) TO THE DRAWER FRONT PANEL (Y) BY USING THE BOLT (q).

FIG 21



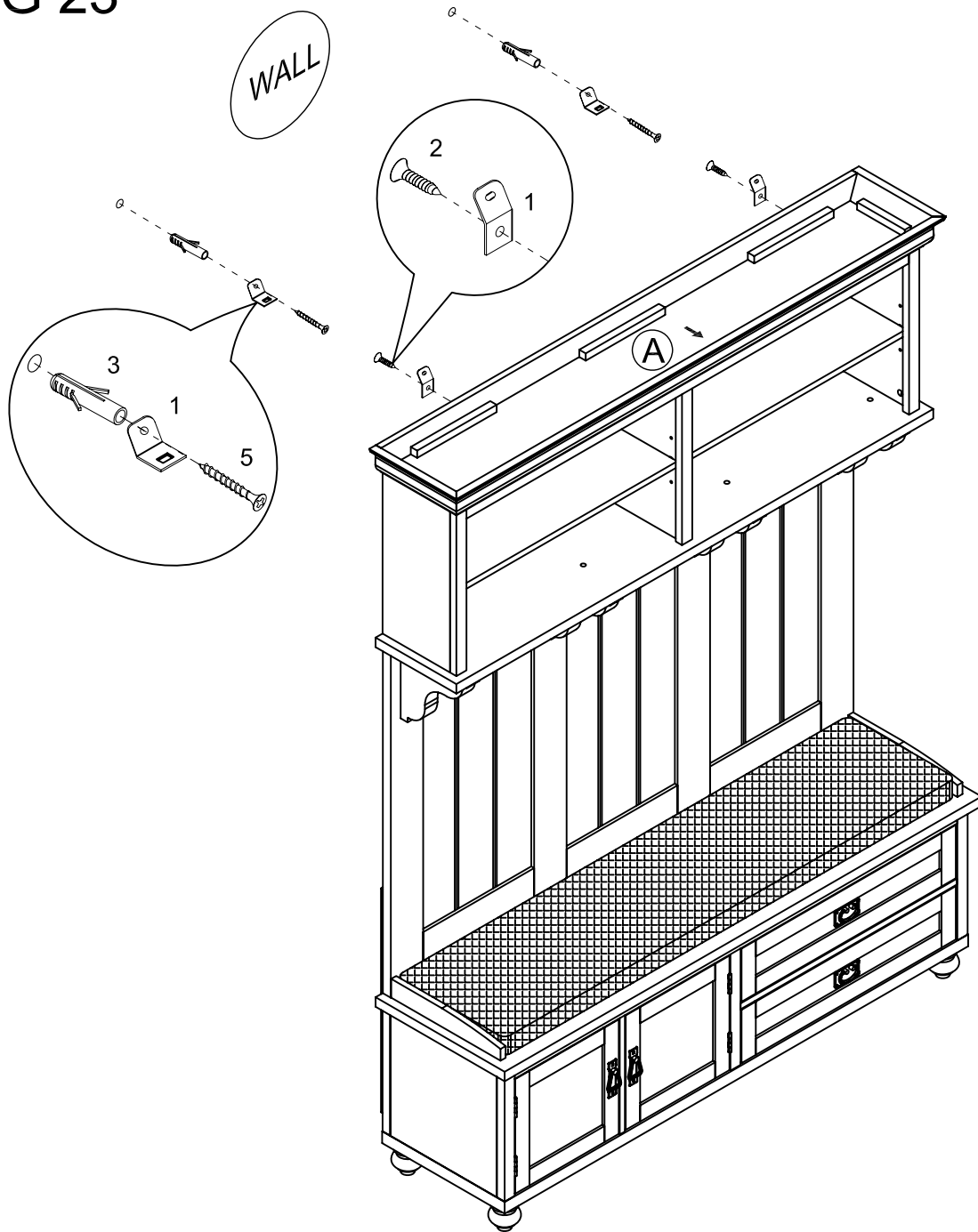
- INSERT DRAWERS INTO THE ASSEMBLED PART.
- PLACE THE CUSHION (EE) ABOVE THE DOWN FIXED PANEL (K).

FIG 22



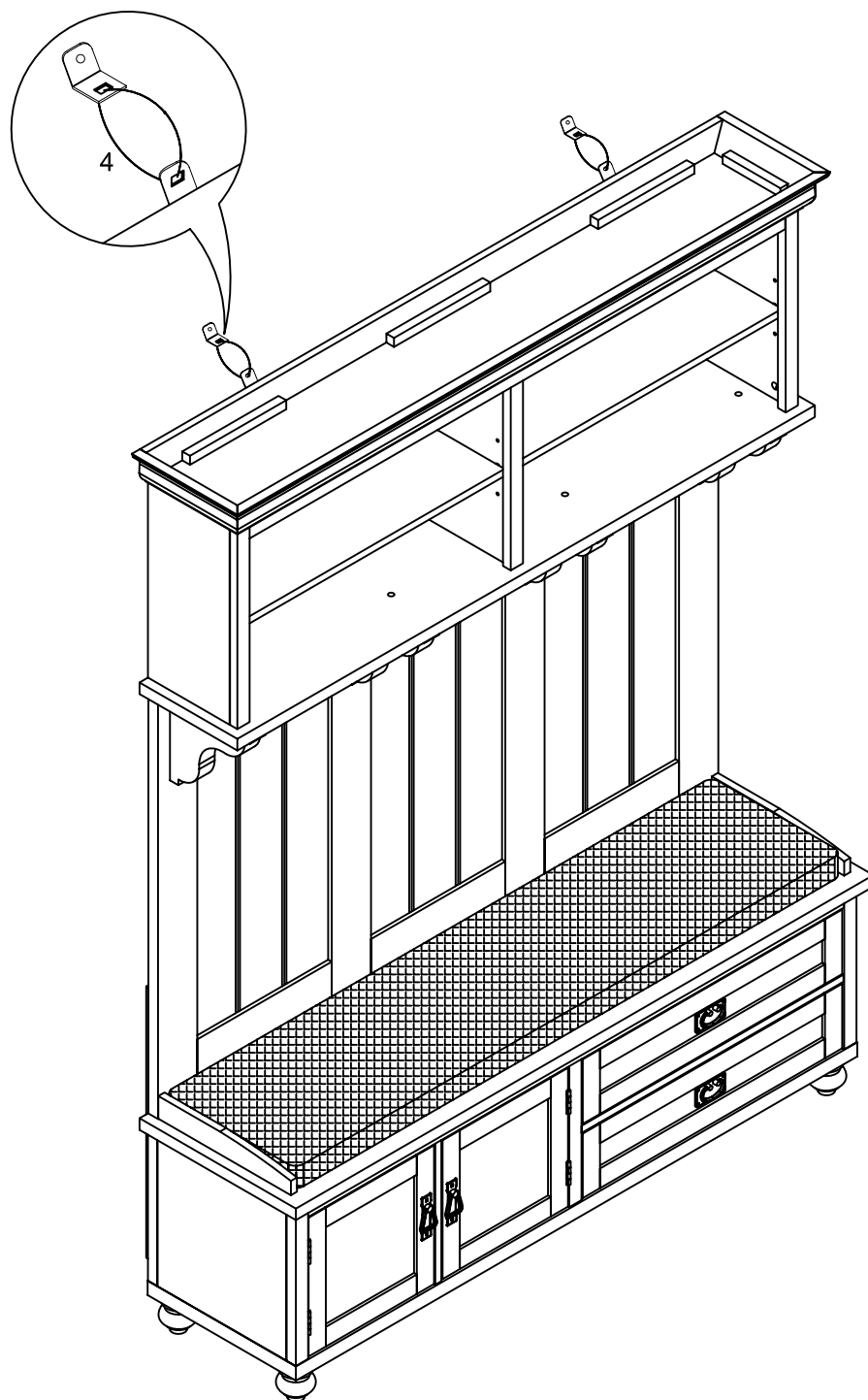
- INSERT THE SHELF PIN (o) IN THE DESIRED POSITION AND THEN PLACE THE ADJUSTABLE SHELF (R) ON THE PINS.

# FIG 23



- TIGHTEN THE RECTANGLE METAL PLATE (1) TO THE REAR OF THE TOP PANEL (A) BY USING 1/2" FLAT HEAD SCREW (2).
- PLACE THE ASSEMBLED VERNON HALL TREE AT THE DESIRED POSITION. MARK THE INSERTION POINTS FOR THE PLASTIC ANCHOR (3).
- USING THE PROPER HARDWARE FOR YOUR WALL TYPE, DRILL 1/4" HOLES INTO THE WALL.
- TIGHTEN THE RECTANGLE METAL PLATE (1) TO THE PLASTIC ANCHOR (3) BY USING THE 1-1/2" FLAT HEAD SCREW (5).

# FIG 24



- USING THE PLASTIC BAND (4) CONNECT TWO RECTANGLE METAL PLATES (1).