



# BELL

## LED GARAGE/CANOPY LIGHT 20W | 1653 LUMENS | REPLACES 50W

ORDER NUMBER: **L-BL20-WWU-D4Z**

### KEY BENEFITS

• Same footprint as traditional HID garage and canopy lights • LED Philips® and YG® driver technology • Dimming option available • Suitable for wet locations • Precision die cast • Chip and fade resistant powder coat finish in any color • Prismatic Retractor • Industrial grade.

### APPLICATIONS

Suitable for ceiling-mounted doorway, walkways, soffits, hallways and garages

### CERTIFICATIONS

• DLC 4.1 Premium • cUL-us Listed • Lighting Facts •



\* Please refer to the DLC QPL website for the latest and most complete info [www.designlights.org/QPL](http://www.designlights.org/QPL)

### PRODUCT PERFORMANCE

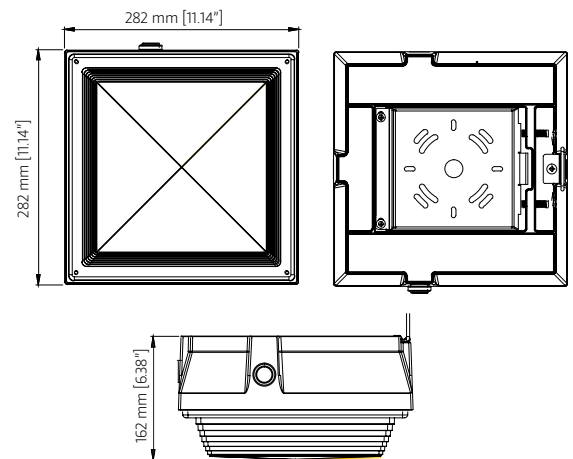
SYSTEM WATTAGE	LED WATTAGE	LUMENS	LP/W	CRI	REPLACES (MH)
20W	18W	1653 lm	109 lm/w	≥80	50W

### PRODUCT SUMMARY

EFFICACY	109 lm/w
LED CHIP	Philips®
CCT	4000K
DRIVER	YG® driver technology, Dimmable LED power supplies, Current can be adjusted The 0-10V Dimming type is continuous, The product can dim to 10%
DRIVER EFFICIENCY	>85%
INDIVIDUAL CARTON DIMENSIONS	11 x 11 x 6 in
INDIVIDUAL CARTON WEIGHT	2.4 lbs
STANDARD LIFETIME	Design minimum 50,000 + hours
STANDARD WARRANTY	5 Years
WATER PROOFING GRADE	Wet Location

PRODUCT WEIGHT: 2.4 lbs

### PRODUCT DIMENSIONS



### PRODUCT PHOTOMETRY

