



OPERATOR'S MANUAL

MANUEL D'UTILISATION

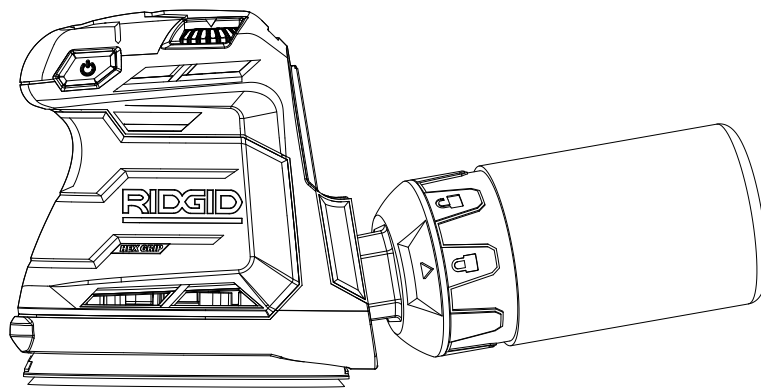
MANUAL DEL OPERADOR

18 VOLT RANDOM ORBIT SANDER

PONCEUSE À ORBITE ALÉATOIRE DE 18 V

LIJADORA ORBITAL ALEATORIA DE 18 V

R8606



To register your RIDGID® product, please visit:
<http://register.RIDGID.com>

Pour enregistrer votre produit de RIDGID®, s'il vous plaît la visite:
<http://register.RIDGID.com>

Para registrar su producto de RIDGID®, por favor visita:
<http://register.RIDGID.com>

TABLE OF CONTENTS

- General Power Tool Safety Warnings.....2-3
- Sander Safety Warnings.....3
- Symbols.....4
- Features.....5
- Assembly.....5
- Operation.....5-7
- Maintenance.....8
- Illustrations.....9-10
- Parts Ordering/Service.....Back page

TABLE DES MATIÈRES

- Avertissements de sécurité générales relatives aux outils électriques.....2-3
- Avertissements de sécurité relatifs ponceuse.....3
- Symboles.....4
- Caractéristiques.....5
- Assemblage.....5
- Utilisation.....5-7
- Entretien.....8
- Illustrations.....9-10
- Commande de pièces / dépannage.....Page arrière

ÍNDICE DE CONTENIDO

- Advertencias de seguridad generales para la herramienta eléctrica.....2-3
- Advertencias de seguridad de lijadora.....3
- Símbolos.....4
- Características.....5
- Armado.....5
- Funcionamiento.....5-8
- Mantenimiento.....8
- Ilustraciones.....9-10
- Pedidos de repuestos/servicio.....Pág. posterior

WARNING:

To reduce the risk of injury, the user must read and understand the operator's manual before using this product.

AVERTISSEMENT :

Pour réduire les risques de blessures, l'utilisateur doit lire et veiller à bien comprendre le manuel d'utilisation avant d'utiliser ce produit.

ADVERTENCIA:

Para reducir el riesgo de lesiones, el usuario debe leer y comprender el manual del operador antes de usar este producto.

SAVE THIS MANUAL FOR FUTURE REFERENCE

CONSERVER CE MANUEL POUR FUTURE RÉFÉRENCE

GUARDE ESTE MANUAL PARA FUTURAS CONSULTAS

GENERAL POWER TOOL SAFETY WARNINGS

WARNING

Read all safety warnings and all instructions. Failure to follow the warnings and instructions may result in electric shock, fire and/or serious injury.

Save all warnings and instructions for future reference. The term “power tool” in the warnings refers to your mains-operated (corded) power tool or battery-operated (cordless) power tool.

WORK AREA SAFETY

- **Keep work area clean and well lit.** Cluttered or dark areas invite accidents.
- **Do not operate power tools in explosive atmospheres, such as in the presence of flammable liquids, gases or dust.** Power tools create sparks which may ignite the dust or fumes.
- **Keep children and bystanders away while operating a power tool.** Distractions can cause you to lose control.

ELECTRICAL SAFETY

- **Power tool plugs must match the outlet. Never modify the plug in any way. Do not use any adapter plugs with earthed (grounded) power tools.** Unmodified plugs and matching outlets will reduce risk of electric shock.
- **Avoid body contact with earthed or grounded surfaces such as pipes, radiators, ranges and refrigerators.** There is an increased risk of electric shock if your body is earthed or grounded.
- **Do not expose power tools to rain or wet conditions.** Water entering a power tool will increase the risk of electric shock.
- **Do not abuse the cord. Never use the cord for carrying, pulling or unplugging the power tool. Keep cord away from heat, oil, sharp edges or moving parts.** Damaged or entangled cords increase the risk of electric shock.
- **When operating a power tool outdoors, use an extension cord suitable for outdoor use.** Use of a cord suitable for outdoor use reduces the risk of electric shock.
- **If operating a power tool in a damp location is unavoidable, use a ground fault circuit interrupter (GFCI) protected supply.** Use of a GFCI reduces the risk of electric shock.
- **Use battery only with charger listed. For use with 18V nickel-cadmium and 18V lithium-ion battery packs, see tool/appliance/battery pack/charger correlation supplement 988000-302.**

PERSONAL SAFETY

- **Stay alert, watch what you are doing and use common sense when operating a power tool. Do not use a power tool while you are tired or under the influence of drugs, alcohol or medication.** A moment of inattention while operating power tools may result in serious personal injury.

- **Use personal protective equipment. Always wear eye protection.** Protective equipment such as dust mask, non-skid safety shoes, hard hat, or hearing protection used for appropriate conditions will reduce personal injuries.
- **Prevent unintentional starting. Ensure the switch is in the off-position before connecting to power source and/or battery pack, picking up or carrying the tool.** Carrying power tools with your finger on the switch or energising power tools that have the switch on invites accidents.
- **Remove any adjusting key or wrench before turning the power tool on.** A wrench or a key left attached to a rotating part of the power tool may result in personal injury.
- **Do not overreach. Keep proper footing and balance at all times.** This enables better control of the power tool in unexpected situations.
- **Dress properly. Do not wear loose clothing or jewellery. Keep your hair, clothing and gloves away from moving parts.** Loose clothes, jewellery or long hair can be caught in moving parts.
- **If devices are provided for the connection of dust extraction and collection facilities, ensure these are connected and properly used.** Use of dust collection can reduce dust-related hazards.
- **Do not wear loose clothing or jewelry. Contain long hair.** Loose clothes, jewelry, or long hair can be drawn into air vents.
- **Do not use on a ladder or unstable support.** Stable footing on a solid surface enables better control of the power tool in unexpected situations.

POWER TOOL USE AND CARE

- **Do not force the power tool. Use the correct power tool for your application.** The correct power tool will do the job better and safer at the rate for which it was designed.
- **Do not use the power tool if the switch does not turn it on and off.** Any power tool that cannot be controlled with the switch is dangerous and must be repaired.
- **Disconnect the plug from the power source and/or the battery pack from the power tool before making any adjustments, changing accessories, or storing power tools.** Such preventive safety measures reduce the risk of starting the power tool accidentally.
- **Store idle power tools out of the reach of children and do not allow persons unfamiliar with the power tool or these instructions to operate the power tool.** Power tools are dangerous in the hands of untrained users.
- **Maintain power tools. Check for misalignment or binding of moving parts, breakage of parts and any other condition that may affect the power tool's operation. If damaged, have the power tool repaired before use.** Many accidents are caused by poorly maintained power tools.
- **Keep cutting tools sharp and clean.** Properly maintained cutting tools with sharp cutting edges are less likely to bind and are easier to control.

GENERAL POWER TOOL SAFETY WARNINGS

- **Use the power tool, accessories and tool bits etc. in accordance with these instructions, taking into account the working conditions and the work to be performed.** Use of the power tool for operations different from those intended could result in a hazardous situation.

BATTERY TOOL USE AND CARE

- **Recharge only with the charger specified by the manufacturer.** A charger that is suitable for one type of battery pack may create a risk of fire when used with another battery pack.
- **Use power tools only with specifically designated battery packs.** Use of any other battery packs may create a risk of injury and fire.
- **When battery pack is not in use, keep it away from other metal objects, like paper clips, coins, keys, nails, screws or other small metal objects, that can make a connection from one terminal to another.** Shorting the battery terminals together may cause burns or a fire.

SANDER SAFETY WARNINGS

- **Hold power tool by insulated gripping surfaces, when performing an operation where the cutting accessory may contact hidden wiring.** Cutting accessory contacting a “live” wire may make exposed metal parts of the power tool “live” and could give the operator an electric shock.
- **Know your power tool. Read operator’s manual carefully. Learn its applications and limitations, as well as the specific potential hazards related to this power tool.** Following this rule will reduce the risk of electric shock, fire, or serious injury.
- **Always wear eye protection with side shields marked to comply with ANSI Z87.1.** Following this rule will reduce the risk of serious personal injury.
- **Protect your lungs. Wear a face or dust mask if the operation is dusty.** Following this rule will reduce the risk of serious personal injury.
- **Protect your hearing. Wear hearing protection during extended periods of operation.** Following this rule will reduce the risk of serious personal injury.
- **Battery tools do not have to be plugged into an electrical outlet; therefore, they are always in operating condition. Be aware of possible hazards when not using your battery tool or when changing accessories.** Following this rule will reduce the risk of electric shock, fire, or serious personal injury.
- **Do not place battery tools or their batteries near fire or heat.** This will reduce the risk of explosion and possibly injury.

- **Under abusive conditions, liquid may be ejected from the battery; avoid contact. If contact accidentally occurs, flush with water. If liquid contacts eyes, additionally seek medical help.** Liquid ejected from the battery may cause irritation or burns.




SERVICE

- **Have your power tool serviced by a qualified repair person using only identical replacement parts.** This will ensure that the safety of the power tool is maintained.
- **When servicing a power tool, use only identical replacement parts. Follow instructions in the Maintenance section of this manual.** Use of unauthorized parts or failure to follow Maintenance instructions may create a risk of shock or injury.







- **Do not crush, drop or damage battery pack. Do not use a battery pack or charger that has been dropped or received a sharp blow.** A damaged battery is subject to explosion. Properly dispose of a dropped or damaged battery immediately.
- **Batteries can explode in the presence of a source of ignition, such as a pilot light.** To reduce the risk of serious personal injury, never use any cordless product in the presence of open flame. An exploded battery can propel debris and chemicals. If exposed, flush with water immediately.
- **Do not charge battery tool in a damp or wet location.** Following this rule will reduce the risk of electric shock.
- **For best results, your battery tool should be charged in a location where the temperature is more than 50°F but less than 100°F.** To reduce the risk of serious personal injury, do not store outside or in vehicles.
- **Under extreme usage or temperature conditions, battery leakage may occur. If liquid comes in contact with your skin, wash immediately with soap and water. If liquid gets into your eyes, flush them with clean water for at least 10 minutes, then seek immediate medical attention.** Following this rule will reduce the risk of serious personal injury.
- **Save these instructions.** Refer to them frequently and use them to instruct others who may use this tool. If you loan someone this tool, loan them these instructions also.

SYMBOLS

The following signal words and meanings are intended to explain the levels of risk associated with this product.

SYMBOL	SIGNAL	MEANING
	DANGER:	Indicates an imminently hazardous situation, which, if not avoided, will result in death or serious injury.
	WARNING:	Indicates a potentially hazardous situation, which, if not avoided, could result in death or serious injury.
	CAUTION:	Indicates a potentially hazardous situation, which, if not avoided, may result in minor or moderate injury.
	NOTICE:	(Without Safety Alert Symbol) Indicates important information not related to an injury hazard, such as a situation that may result in property damage.

Some of the following symbols may be used on this product. Please study them and learn their meaning. Proper interpretation of these symbols will allow you to operate the product better and safer.

SYMBOL	NAME	DESIGNATION/EXPLANATION
	Safety Alert	Indicates a potential personal injury hazard.
	Read Operator's Manual	To reduce the risk of injury, user must read and understand operator's manual before using this product.
	Eye Protection	Always wear eye protection with side shields marked to comply with ANSI Z87.1 when operating this equipment.
	Wet Conditions Alert	Do not expose to rain or use in damp locations.
	Recycle Symbols	This product uses nickel-cadmium (Ni-Cd) and lithium-ion (Li-ion) batteries. Local, state, or federal laws may prohibit disposal of batteries in ordinary trash. Consult your local waste authority for information regarding available recycling and/or disposal options.
V	Volts	Voltage
min	Minutes	Time
	Direct Current	Type or a characteristic of current
n_0	No Load Speed	Rotational speed, at no load
.../min	Per Minute	Revolutions, strokes, surface speed, orbits etc., per minute

FEATURES

PRODUCT SPECIFICATIONS

Sanding Disc Diameter.....	5 in.
Orbit Diameter.....	1/8 in.
No Load Speed.....	7,000 - 11,000 OPM (Orbits Per Minute)

ASSEMBLY

WARNING:

Do not use this product if it is not completely assembled or if any parts appear to be missing or damaged. Use of a product that is not properly and completely assembled or with damaged or missing parts could result in serious personal injury.

WARNING:

Do not attempt to modify this product or create accessories or attachments not recommended for use with this product. Any such alteration or modification is misuse and could result in a hazardous condition leading to possible serious personal injury.

If any parts are damaged or missing, please call 1-866-539-1710 for assistance.

OPERATION

WARNING:

Do not allow familiarity with this product to make you careless. Remember that a careless fraction of a second is sufficient to inflict serious injury.

WARNING:

Always remove battery pack from the tool when you are assembling parts, making adjustments, cleaning, or when not in use. Removing battery pack will prevent accidental starting that could cause serious personal injury.

WARNING:

Always wear eye protection with side shields marked to comply with ANSI Z87.1. Failure to do so could result in objects being thrown into your eyes and other possible serious injuries.

WARNING:

Do not use any attachments or accessories not recommended by the manufacturer of this product. The use of attachments or accessories not recommended can result in serious personal injury.

APPLICATIONS

You may use this product for the purposes listed below:

- Sanding wood or wood product surfaces
- Sanding steel surfaces
- Removing rust from steel surfaces

INSTALLING/REMOVING BATTERY PACK

See Figure 1, page 9.

To install:

- Insert the battery pack.
- Make sure the latches on each side of the battery pack snap into place and the battery pack is secured in the product before beginning operation.

To remove:

- Depress the latches on each side of the battery pack.

TURNING THE SANDER ON/OFF

See Figure 2, page 9.

To turn the sander ON:

- Insert the battery pack.
- Push and release the **ON/OFF** button.

To turn the sander OFF:

- Push and release the **ON/OFF** button.

NOTE: The sander is always in the **OFF** position when a battery pack is not installed.

OPERATION

SANDING DISC SELECTION

Selecting the correct size grit and type sandpaper is an extremely important step in achieving a high quality sanded finish. Aluminum oxide, silicon carbide, and other synthetic abrasives are best for power sanding. Natural abrasives, such as flint and garnet, are too soft for economical use in power sanding.

In general, coarse grit will remove the most material and finer grit will produce the best finish in all sanding operations. The condition of the surface to be sanded will determine which grit will do the job. If the surface is rough, start with a coarse grit and sand until the surface is uniform. Medium grit may then be used to remove scratches left by the coarser grit and finer grit used for finishing of the surface. Always continue sanding with each grit until surface is uniform.

WARNING:

Always remove the battery pack when attaching or changing sanding sheets. Failure to do so could cause accidental starting, leading to serious personal injury.

ATTACHING HOOK-AND-LOOP SANDING DISCS

See Figure 3, page 9.

- Remove the battery pack.
- Align holes in the hook-and-loop type sanding disc with holes in the pad, then carefully press the fuzzy side of the sanding disc against the pad as tightly as possible.

NOTE: Hook-and-loop type sanding discs can be reused for the life of the sanding abrasive. It is recommended that you keep the sanding disc backing pad clean to provide for best adhesion. Clean occasionally by brushing lightly with a small brush.

INSTALLING THE OPTIONAL PRESSURE SENSITIVE ADHESIVE (PSA) SANDING PAD AND DISC ATTACHMENT (NOT INCLUDED)

See Figure 4, page 9.

The Micro-Fiber™ hook-and-loop pad accepts standard 8-hole hook-and-loop sanding discs. To attach the optional pressure sensitive adhesive (PSA) backing pad, you must first remove the hook-and-loop pad. Inspect sanding disc before installing. Do not use if broken or defective.

- Remove the battery pack.
- Remove the four screws that hold the hook-and-loop pad in place.
- Remove the hook-and-loop pad.
- Clean dust particles from the pad brake.

- Apply a thin layer of lightweight grease to the back of the pad.
- Align the holes in the pressure sensitive adhesive (PSA) backing pad with the four screw holes in the sander.
- Replace the four screws securely.
- Carefully peel paper backing from the pressure sensitive adhesive type sanding disc.
- Align holes in sanding disc with holes in backing pad, then carefully press sticky side of disc against pad as tightly as possible.

NOTE: Holes in sanding disc must line up with holes in the backing pad in order for the dustless feature of the sander to function properly.

NOTE: It is recommended that you clean backing pad occasionally by brushing lightly with a small brush. Dust buildup on backing pad could cause sanding disc not to stick properly.

REMOVE PSA SANDING DISC FROM OPTIONAL PSA BACKING PAD BEFORE STORAGE

Do not store the sander with the PSA sanding disc installed. Heat generated from sanding causes the pressure sensitive adhesive to flow and form a tight bond between the backing pad and sanding disc.

Removing the sanding disc soon after you have finished a sanding operation avoids letting the adhesive set up. If the sanding disc is left on the backing pad for an extended period of time after use, the adhesive will set up and cause the sanding disc to become difficult to remove.

It may also tear when removing. When this situation occurs, it becomes difficult to clean the backing pad for the next sanding disc.

NOTE: If you forget to remove the sanding disc after a sanding operation, sand for a few minutes to soften the adhesive backing before attempting to remove sanding disc.

ATTACHING THE SANDER TO A VACUUM

See Figures 5 - 6, page 10.

The built-in vacuum adaptor allows you to connect to a 1-1/4 in. or 2-1/2 in. diameter vacuum hose to help keep the work area clean.

To install the vacuum hose:

- Remove the battery pack.
- Turn the dust bag counterclockwise to the **UNLOCK** position to remove it from the sander.
- Attach vacuum hose to dust exhaust.
NOTE: Vacuum hose fits inside dust exhaust.
- Reinstall the battery pack.

OPERATION

WARNING:

When the sander is not connected to a vacuum, always reinstall the dust bag onto the sander. Failure to do so could cause sanding dust or foreign objects to be thrown into your face or eyes which could result in possible serious injury.

To reinstall the dust bag:

- Remove the battery pack and vacuum hose.
- Align grooves on dust bag with notches on sander dust exhaust.
- Slide dust bag onto dust exhaust.
- Turn clockwise until the bag is in the LOCK position.

OPERATING THE SANDER

See Figure 7, page 10.

To operate the sander:

- Secure the workpiece to prevent it from moving under the sander.
-

WARNING:

Unsecured workpieces could be thrown towards the operator, causing injury.

WARNING:

Keep your head away from the sander and the sanding area. Your hair could be drawn into the sander causing serious injury.

- Place the sander on the workpiece so that all of the sanding disc surface is in contact with the workpiece.
-

NOTICE:

Be careful not to let your hand cover the air vents.

- Turn on the sander and move it slowly over the workpiece.
- Make successive passes in parallel lines, circles, or crosswise movements.
- Turn off the sander and wait until the sanding disc comes to a complete stop before removing it from the workpiece.

Do not force. The weight of the unit supplies adequate pressure, so let the sanding disc and sander do the work. Applying additional pressure slows the motor, rapidly wears the sanding disc and greatly reduces sander speed. Excessive pressure will overload the motor causing possible damage from motor overheating and can result in inferior work. Any finish or resin on wood may soften from the frictional heat.

Do not allow sanding on one spot too long as the sander's rapid action may remove too much material, making the surface uneven.

Extended periods of sanding may tend to overheat the motor. If this occurs, turn sander off and wait until sanding disc comes to a complete stop, then remove it from workpiece. Remove your hand from vent area, remove sanding disc, then with your hand removed from vent area, turn sander on and run it free without a load to cool the motor.

VARIABLE SPEED DIAL

See Figure 8, page 10.

The variable speed dial allows sanding speed adjustment from 1 (lowest speed) to 6 (highest speed). To increase sanding disc speed, turn the dial to a higher setting. Turn dial to a lower setting to decrease sanding disc speed.

EMPTYING THE DUST BAG

See Figure 5, page 10.

For more efficient operation, empty the dust bag when it is no more than half full. This will permit the air to flow through the bag better. Always empty and clean the dust bag thoroughly upon completion of a sanding operation and before placing the sander in storage.

WARNING:

Collected sanding dust from sanding surface coatings such as polyurethanes, linseed oil, etc. can self-ignite in the sander dust bag or elsewhere and cause fire. To reduce the risk of fire always empty the dust bag frequently (10-15 minutes) while sanding and never store or leave a sander without totally emptying its dust bag. Also follow the recommendations of coating manufacturers.

To empty the dust bag:

- Remove the battery pack.
- Remove the dust bag from the sander.
- Shake out the dust.
- Reattach the dust bag to the sander.

MAINTENANCE



WARNING:

When servicing, use only identical replacement parts. Use of any other parts could create a hazard or cause product damage.

GENERAL MAINTENANCE

Avoid using solvents when cleaning plastic parts. Most plastics are susceptible to damage from various types of commercial solvents and may be damaged by their use. Use clean cloths to remove dirt, dust, oil, grease, etc.

CALIFORNIA PROPOSITION 65



WARNING:

This product and some dust created by power sanding, sawing, grinding, drilling, and other construction activities may contain chemicals, including lead, known to the State of California to cause cancer, birth defects, or other reproductive harm. ***Wash hands after handling.***

Some examples of these chemicals are:

- lead from lead-based paints,
- crystalline silica from bricks and cement and other masonry products and,
- arsenic and chromium from chemically treated lumber.

Your risk from exposure to these chemicals varies, depending on how often you do this type of work. To reduce your exposure, work in a well-ventilated area and with approved safety equipment, such as dust masks that are specially designed to filter out microscopic particles.

**NOTE: ILLUSTRATIONS START ON PAGE 9
AFTER FRENCH AND SPANISH LANGUAGE SECTIONS.**

**This product has a 90-Day Satisfaction Guarantee Policy,
as well as a Three-year Limited Warranty.**

**For Warranty and Policy details, please go to
www.RIDGID.com or call (toll free) 1-866-539-1710.**

AVERTISSEMENTS DE SÉCURITÉ GÉNÉRALES RELATIVES AUX OUTILS ÉLECTRIQUES

AVERTISSEMENT

Lire tous les avertissements et toutes les instructions. Ne pas suivre l'ensemble des avertissements et des instructions peut entraîner une électrocution, un incendie ou des blessures graves.

Conservier les avertissements et les instructions à des fins de référence ultérieure. Le terme « outil motorisé », utilisé dans tous les avertissements ci-dessous désigne tout outil fonctionnant sur secteur (câblé) ou sur piles (sans fil).

SÉCURITÉ DU LIEU DE TRAVAIL

- **Garder le lieu de travail propre et bien éclairé.** Les endroits encombrés ou sombres sont propices aux accidents.
- **Ne pas utiliser d'outils électriques dans des atmosphères explosives, par exemple en présence de liquides, gaz ou poussières inflammables.** Les outils électriques produisent des étincelles risquant d'enflammer les poussières ou vapeurs.
- **Garder les enfants et badauds à l'écart pendant l'utilisation d'un outil électrique.** Les distractions peuvent causer une perte de contrôle.

SÉCURITÉ ÉLECTRIQUE

- **Les fiches des outils électriques doivent correspondre à la prise secteur utilisée. Ne jamais modifier la fiche, de quelque façon que ce soit. Ne jamais utiliser d'adaptateurs de fiche avec des outils mis à la terre.** Les fiches et prises non modifiées réduisent le risque de choc électrique.
- **Éviter tout contact du corps avec des surfaces mises à la terre, telles que tuyaux, radiateurs, cuisinières et réfrigérateurs.** Le risque de choc électrique est accru lorsque le corps est mis à la terre.
- **Ne pas exposer les outils électriques à l'eau ou l'humidité.** La pénétration d'eau dans ces outils accroît le risque de choc électrique.
- **Ne pas maltraiter le cordon d'alimentation. Ne jamais utiliser le cordon d'alimentation pour transporter l'outil et ne jamais débrancher ce dernier en tirant sur le cordon. Garder le cordon à l'écart de la chaleur, de l'huile, des objets tranchants et des pièces en mouvement.** Un cordon endommagé ou emmêlé accroît le risque de choc électrique.
- **Pour les travaux à l'extérieur, utiliser un cordon spécialement conçu à cet effet.** Utiliser un cordon conçu pour l'usage extérieur pour réduire les risques de choc électrique.
- **S'il est nécessaire d'utiliser l'outil électrique dans un endroit humide, employer un dispositif interrupteur de défaut à la terre (GFCI).** L'utilisation d'un GFCI réduit le risque de décharge électrique.
- **Ne recharger les piles qu'avec l'appareil indiqué.** Pour utiliser l'appareil avec des piles au nickel-cadmium et au lithium-ion de 18 V, consulter le supplément de raccordement pour chargeur/outils/piles/appareil n° 988000-302.

SÉCURITÉ PERSONNELLE

- **Rester attentif, prêter attention au travail et faire preuve de bon sens lors de l'utilisation de tout outil électrique. Ne pas utiliser cet outil en état de fatigue ou sous l'influence de l'alcool, de drogues ou de médicaments.** Un moment d'inattention pendant l'utilisation d'un outil électrique peut entraîner des blessures graves.

- **Utiliser l'équipement de sécurité. Toujours porter une protection oculaire.** L'équipement de sécurité, tel qu'un masque filtrant, de chaussures de sécurité, d'un casque ou d'une protection auditive, utilisé dans des conditions appropriées réduira le risque de blessures.
- **Éviter les démarrages accidentels. S'assurer que le commutateur est en position d'arrêt avant de brancher l'outil.** Porter un outil avec le doigt sur son commutateur ou brancher un outil dont le commutateur est en position de marche peut causer un accident.
- **Retirer les clés de réglage avant de mettre l'outil en marche.** Une clé laissée sur une pièce rotative de l'outil peut causer des blessures.
- **Ne pas travailler hors de portée. Toujours se tenir bien campé et en équilibre.** Ceci permettra de mieux contrôler l'outil en cas de situation imprévue.
- **Porter une tenue appropriée. Ne porter ni vêtements amples, ni bijoux. Garder les cheveux, les vêtements et les gants à l'écart des pièces en mouvement.** Les vêtements amples, bijoux et cheveux longs peuvent se prendre dans les pièces en mouvement.
- **Si les outils sont équipés de dispositifs de dépoussiérage, s'assurer qu'ils sont connectés et correctement utilisés.** L'usage de ces dispositifs de dépoussiérage peut réduire les dangers présentés par la poussière.
- **Ne porter ni vêtements amples, ni bijoux. Attacher ou couvrir les cheveux longs.** Les vêtements amples, bijoux et cheveux longs peuvent se prendre dans les ouïes d'aération.
- **Ne pas utiliser l'outil sur une échelle ou un support instable.** Une bonne tenue et un bon équilibre permettent de mieux contrôler l'outil en cas de situation imprévue.

UTILISATION ET ENTRETIEN DES OUTILS ÉLECTRIQUES

- **Ne pas forcer l'outil. Utiliser l'outil approprié pour l'application.** Un outil approprié exécutera le travail mieux et de façon moins dangereuse s'il est utilisé dans les limites prévues.
- **Ne pas utiliser l'outil si le commutateur ne permet pas de le mettre en marche ou de l'arrêter.** Tout outil qui ne peut pas être contrôlé par son commutateur est dangereux et doit être réparé.
- **Débrancher l'outil et/ou retirer le bloc-piles avant d'effectuer des réglages, de changer d'accessoire ou de remiser l'outil.** Ces mesures de sécurité préventives réduisent les risques de démarrage accidentel de l'outil.
- **Ranger les outils motorisés hors de la portée des enfants et ne laisser personne n'étant pas familiarisé avec l'outil ou ces instructions utiliser l'outil.** Dans les mains de personnes n'ayant pas reçu des instructions adéquates, les outils sont dangereux.
- **Entretien des outils motorisés. Vérifier qu'aucune pièce mobile n'est mal alignée ou bloquée, qu'aucune pièce n'est brisée et s'assurer qu'aucun autre problème ne risque d'affecter le bon fonctionnement de l'outil. En cas de dommages faire réparer l'outil avant de l'utiliser de nouveau.** Beaucoup d'accidents sont causés par des outils mal entretenus.
- **Garder les outils bien affûtés et propres.** Des outils correctement entretenus et dont les tranchants sont bien affûtés risquent moins de se bloquer et sont plus faciles à contrôler.

AVERTISSEMENTS DE SÉCURITÉ GÉNÉRALES RELATIVES AUX OUTILS ÉLECTRIQUES

- **Utiliser l'outil, les accessoires et embouts, etc. conformément à ces instructions pour les applications pour lesquelles ils sont conçus, en tenant compte des conditions et du type de travail à exécuter.** L'usage d'un outil motorisé pour des applications pour lesquelles il n'est pas conçu peut être dangereux.

UTILISATION ET ENTRETIEN DE LA PILE

- **Ne recharger qu'avec l'appareil spécifié par le fabricant.** Un chargeur approprié pour un type de pile peut créer un risque d'incendie s'il est utilisé avec un autre type de pile.
- **Utiliser exclusivement le bloc-pile spécifiquement indiqué pour l'outil.** L'usage de tout autre bloc peut créer un risque de blessures et d'incendie.
- **Lorsque le bloc-piles n'est pas en usage, le garder à l'écart d'articles tels qu'attaches trombones, pièces de monnaie, clous, vis ou autres petits objets métalliques risquant d'établir le contact entre les deux bornes.** La mise en court-circuit des bornes de piles peut causer des étincelles, des brûlures ou un incendie.

- **En cas d'usage abusif, du liquide peut s'échapper des piles. Éviter tout contact avec ce liquide. En cas de contact accidentel, rincer immédiatement les parties atteintes avec de l'eau. En cas d'éclaboussure dans les yeux consulter un médecin.** Le liquide s'échappant des piles peut causer des irritations ou des brûlures.

DÉPANNAGE

- **Les réparations doivent être confiées à un technicien qualifié, utilisant exclusivement des pièces identiques à celles d'origine.** Ceci assurera le maintien de la sécurité de l'outil.
- **Utiliser exclusivement des pièces identiques à celles d'origine pour les réparations. Se conformer aux instructions de la section Entretien de ce manuel.** L'usage de pièces non autorisées ou le non-respect des instructions peut présenter des risques de choc électrique ou de blessures.




AVERTISSEMENTS DE SÉCURITÉ RELATIFS PONCEUSE

- **Lorsque l'outil est utilisé pour un travail risquant de le mettre en contact avec des fils électriques cachés, le tenir par les surfaces de prise isolées.** Le contact d'un accessoire de coupe avec un fil sous tension « électrifie » les pièces métalliques exposées de l'outil et peut électrocuter l'utilisateur.
- **Apprendre à connaître l'outil. Lire attentivement le manuel d'utilisation. Apprendre les applications et les limites de l'outil, ainsi que les risques spécifiques relatifs à son utilisation.** Le respect de cette consigne réduira les risques d'incendie, de choc électrique et de blessures graves.
- **Toujours porter une protection oculaire munie d'écrans latéraux certifiée conforme à la norme ANSI Z87.1 lors du montage des pièces, du fonctionnement de l'outil ou au moment de l'entretien.** Le respect de cette règle réduira les risques de blessures graves.
- **Protection respiratoire. Porter un masque facial ou un masque antipoussière si le travail produit de la poussière.** Le respect de cette consigne réduira les risques de blessures graves.
- **Protection auditive. Porter une protection auditive lors de l'utilisation prolongée.** Le respect de cette règle réduira les risques de blessures graves.
- **Les outils fonctionnant sur piles n'ayant pas besoin d'être branchés sur une prise secteur, ils sont toujours en état de fonctionnement. Tenir compte des dangers possibles lorsque l'outil n'est pas en usage et lors du remplacement des piles.** Le respect de cette consigne réduira les risques d'incendie, de choc électrique et de blessures graves.
- **Ne pas placer les outils électriques sans fil ou leurs piles à proximité de flammes ou d'une source de chaleur.** Ceci réduira les risques d'explosion et de blessures.






- **Ne pas écraser, faire tomber ou endommager le bloc-piles. Ne jamais utiliser un bloc-piles ou un chargeur qui est tombé, a été écrasé, a reçu un choc violent ou a été endommagé de quelque façon que ce soit.** Une pile endommagée risque d'exploser. Éliminer immédiatement toute pile endommagée, selon une méthode appropriée.
- **Les piles peuvent exploser en présence d'une source d'allumage, telle qu'une veilleuse.** Pour réduire les risques de blessures graves, ne jamais utiliser un appareil sans fil, quel qu'il soit, en présence d'une flamme vive. En explosant, une pile peut projeter des débris et des produits chimiques. En cas d'exposition, rincer immédiatement les parties atteintes avec de l'eau.
- **Ne pas recharger un outil fonctionnant sur piles dans un endroit humide ou mouillé.** Le respect de cette règle réduira les risques de choc électrique.
- **Pour un résultat optimal, les piles de l'outil doivent être rechargées dans un local où la température est de 10 à 38 °C (50 à 100°F). Ne pas ranger l'outil à l'extérieur ou dans un véhicule.**
- **Si l'outil est utilisé de façon intensive ou sous des températures extrêmes, des fuites de pile peuvent se produire. En cas de contact du liquide avec la peau, rincer immédiatement la partie atteinte avec de l'eau. En cas d'éclaboussure dans les yeux, les rincer à l'eau fraîche pendant au moins 10 minutes, puis contacter immédiatement un médecin.** Le respect de cette règle réduira les risques de blessures graves.
- **Conserver ces instructions.** Les consulter fréquemment et les utiliser pour instruire les autres utilisateurs éventuels. Si cet outil est prêté, il doit être accompagné de ces instructions.

SYMBOLES

Les termes de mise en garde suivants et leur signification ont pour but d'expliquer le degré de risques associé à l'utilisation de ce produit.

SYMBOLE	SIGNAL	SIGNIFICATION
	DANGER:	Indique une situation extrêmement dangereuse qui, si elle n'est pas évitée, aura pour conséquences des blessures graves ou mortelles.
	AVERTISSEMENT :	Indique une situation potentiellement dangereuse qui, si elle n'est pas évitée, pourrait entraîner des blessures graves ou mortelles.
	ATTENTION :	Indique une situation potentiellement dangereuse qui, si elle n'est pas évitée, pourrait entraîner des blessures légères ou de gravité modérée.
	AVIS :	(Sans symbole d'alerte de sécurité) Indique une information importante ne concernant pas un risque de blessure comme une situation pouvant occasionner des dommages matériels.

Certains des symboles ci-dessous peuvent être utilisés sur produit. Veiller à les étudier et à apprendre leur signification. Une interprétation correcte de ces symboles permettra d'utiliser produit plus efficacement et de réduire les risques.

SYMBOLE	NOM	DÉSIGNATION / EXPLICATION
	Symbole d'alerte de sécurité	Indique un risque de blessure potentiel.
	Lire le manuel d'utilisation	Pour réduire les risques de blessures, l'utilisateur doit lire et veiller à bien comprendre le manuel d'utilisation avant d'utiliser ce produit.
	Protection oculaire	Toujours porter une protection oculaire munie d'écrans latéraux certifiée conforme à la norme ANSI Z87.1, lors de l'utilisation de cet outil.
	Avertissement concernant l'humidité	Ne pas exposer à la pluie ou l'humidité.
	Symboles de recyclage	Ce produit utilise les piles de nickel-cadmium (Ni-Cd) ou lithium-ion (Li-ion). Les réglementations locales ou gouvernementales peuvent interdire de jeter les piles dans les ordures ménagères. Consulter les autorités locales compétentes pour les options de recyclage et/ou l'élimination.
V	Volts	Tension
min	Minutes	Temps
≡	Courant continu	Type ou caractéristique du courant
n_0	Vitesse à vide	Vitesse de rotation à vide
.../min	Par minute	Tours, coups, vitesse périphérique, orbites, etc., par minute

CARACTÉRISTIQUES

FICHE TECHNIQUE

Diamètre du disque abrasif 127 mm (5 po)
Diamètre de l'orbite 3,2 mm (1/8 po)
Vitesse à vide 7 000 - 11 000 OPM

ASSEMBLAGE

AVERTISSEMENT :

Ne pas utiliser le produit s'il n'est pas complètement assemblé ou si des pièces semblent manquantes ou endommagées. L'utilisation d'un produit dont l'assemblage est incorrect ou incomplet ou comportant des pièces endommagées ou absentes représente un risque de blessures graves.

AVERTISSEMENT :

Ne pas essayer de modifier cet outil ou de créer des pièces et accessoires non recommandés. De telles altérations ou modifications sont considérées comme un usage abusif et peuvent créer des conditions dangereuses, risquant d'entraîner des blessures graves.

Si des pièces manquent ou sont endommagées, veuillez appeler au 1-866-539-1710 pour obtenir de l'aide.

UTILISATION

AVERTISSEMENT :

Ne pas laisser la familiarité avec l'outil faire oublier la prudence. Ne pas oublier qu'une fraction de seconde d'inattention peut entraîner des blessures graves.

AVERTISSEMENT :

Toujours retirer la bloc-pile de l'outil au moment d'assembler des pièces, d'effectuer des réglages et de procéder au nettoyage, ou lorsque l'outil n'est pas utilisé. Si cette précaution n'est pas prise, des objets peuvent être projetés dans les yeux et causer des lésions graves.

AVERTISSEMENT :

Toujours porter une protection oculaire avec écrans latéraux certifiée conforme à la norme ANSI Z87.1. Si une opération dégage de la poussière, porter également un masque anti-poussière.

AVERTISSEMENT :

Ne pas essayer de modifier cet outil ou de créer des accessoires non recommandés pour ce produit. L'utilisation de pièces et accessoires non recommandés peut entraîner des blessures graves.

APPLICATIONS

Cet outil ne doit être utilisé que pour les applications listées ci-dessous.

- Ponçage du bois ou de dérivés du bois
- Ponçage des surfaces en acier
- Élimination de la rouille sur l'acier

INSTALLATION / RETRAIT DU BLOC-PILES

Voir la figure 1, page 9.

Pour install :

- Installer le bloc-pile sur l'outil.
- S'assurer que ses deux loquets latéraux s'engagent correctement et vérifier que le bloc est solidement assujéti avant d'utiliser l'outil.

Pour retrait :

- Appuyer sur les loquets de chaque côté du bloc-pile.

MISE EN MARCHÉ / ARRÊT

Voir la figure 2, page 9.

Pour mettre la ponceuse en marche :

- Installer le bloc-pile sur l'outil.
- Appuyer et relâcher le bouton **MARCHÉ / ARRÊT**.

Arrêter la ponceuse.

- Appuyer et relâcher le bouton **MARCHÉ / ARRÊT**.

NOTE : La ponceuse est toujours à la position **OFF** (hors tension) lorsque le bloc-piles n'est pas installé.

UTILISATION

CHOIX DU DISQUE ABRASIF

Le choix de la taille de grain et du type de disque abrasif est essentiel pour l'obtention d'un ponçage de qualité. L'usage d'abrasifs synthétique, tels que ceux à l'oxyde d'aluminium et au carbure de silice est recommandé pour les ponceuses électriques. Les abrasifs naturels, tels que le silex et la grenatite sont trop tendres pour un usage économique avec les ponceuses électriques.

En général, les grains les plus grossiers sont utilisés pour enlever la plus grande partie du matériau, et les grains les plus fins pour obtenir une surface la plus lisse possible. L'état de la surface à poncer détermine la taille de grain à utiliser. Si la surface est rugueuse, commencer avec un grain grossier pour la rendre uniforme. Un grain moyen peut alors être employé pour supprimer les rayures laissées par le grain grossier, avant d'utiliser le grain le plus fin pour obtenir une surface lisse. Toujours poncer avec chaque grain jusqu'à ce que la surface soit uniforme.

AVERTISSEMENT :

Toujours retirer le bloc de batteries avant d'installer ou de changer les feuilles abrasives. Ne pas prendre cette précaution peut causer un démarrage accidentel, entraînant des blessures graves.

INSTALLATION DES DISQUES ABRASIFS À BOUCLES ET CROCHETS

Voir la figure 3, page 9.

- Retirer le bloc-piles.
- Aligner les trous du disque abrasif à boucles et crochets sur ceux du coussinet, placer le côté crochets du disque contre le coussinet et appuyer pour bien l'assujettir.

NOTE : Les disques à boucles et crochets peuvent être réutilisés tant que l'abrasif n'est pas usé. Il est recommandé de garder le côté crochets du disque propre pour assurer une adhérence maximum. Le nettoyer de temps à autres avec une petite brosse.

INSTALLATION DU COUSSINET ADHÉSIF SENSIBLE À LA PRESSION (PSA) EN OPTION ET DU DISQUE (NON INCLUS)

Voir la figure 4, page 9.

La ponceuse est équipée d'un coussinet à boucles et crochets Micro Fiber™. Il est nécessaire de retirer le coussinet à boucles et crochets pour installer le coussinet adhésif sensible à la pression en option. Inspecter le disque abrasif avant de l'installer. Ne pas l'utiliser s'il est déchiré ou défectueux.

- Retirer le bloc-piles.
- Retirer les quatre vis de fixation du coussinet à boucles et crochets.
- Retirer le coussinet à boucles et crochets.

- Nettoyer le frein du coussinet.
- Enduire le dos du coussinet d'une mince couche de graisse légère.
- Aligner les trous du coussinet adhésif sensible à la pression (PSA) sur les quatre trous de vis de la ponceuse.
- Remettre les quatre vis en place et les serrer fermement.
- Décoller le protecteur d'adhésif du disque adhésif avec précaution.
- Aligner les trous du disque abrasif sur ceux du coussinet, placer le côté adhésif du disque contre le coussinet et appuyer pour bien l'assujettir.

NOTE : Les trous du disque abrasif doivent être alignés sur ceux du coussinet pour que le système de dépoussiérage de la ponceuse fonctionne correctement.

NOTE : Il est recommandé de nettoyer le coussinet de temps à autres avec une petite brosse. Un disque poussiéreux peut ne pas adhérer correctement.

RETIRER LE DISQUE ABRASIF AUTOCOLLANT DU PLATEAU PORTEDISQUE AUTOCOLLANT FACULTATIF AVANT L'ENTREPOSAGE

Ne pas ranger la ponceuse sans avoir retiré le disque abrasif. La chaleur produite par le ponçage amollit l'adhésif, ce qui assure une bonne adhésion du disque sur le coussinet.

Retirer le disque abrasif de la ponceuse peu de temps après avoir fini de l'utiliser, pour éviter le durcissement de l'adhésif. Si le disque est laissé sur la ponceuse trop longtemps après utilisation, l'adhésif durcit, ce qui rend le retrait du disque difficile.

En outre le disque risque d'être déchiré lorsqu'il est retiré. Dans ce cas, il peut être difficile de nettoyer le coussinet pour installer un nouveau disque.

NOTE : Si le disque n'a pas été retiré après un travail, poncer pendant quelques minutes pour amollir l'adhésif avant d'essayer de retirer le disque.

RACCORDEMENT DE LA PONCEUSE À UN ASPIRATEUR

Voir les figures 5 - 6, page 10.

Cet adaptateur permet de connecter un tube de dépoussiérage de 28,6 mm ou 63,5 mm (1-1/4 ou 2-1/2 po) de diamètre pour aider à garder l'atelier propre.

Pour installer le boyau d'aspirateur :

- Retirer le bloc-piles.
- Tourner le sac à poussière vers la gauche pour le déverrouiller afin de retirer de la ponceuse.
- Brancher le tuyau de l'aspirateur sur l'évacuation de la ponceuse.
- **NOTE :** Le tuyau de l'aspirateur s'emboîte dans le trou d'évacuation de la ponceuse.
- Réinstaller le bloc-piles.

UTILISATION

AVERTISSEMENT :

Lorsque la ponceuse n'est pas raccordée à un aspirateur, elle doit toujours être munie du sac à poussière. Si cette précaution n'est pas prise, de la sciure ou d'autres objets peuvent être projetées dans les yeux et causer des lésions graves.

Pour réinstaller le sac à poussière :

- Retirer le bloc-piles et le boyau d'aspirateur.
- Aligner les rainures du sac à poussière avec les encoches de l'orifice d'échappement de poussière.
- Insérer le sac à poussière sur l'orifice d'échappement de poussière.

UTILISATION DE LA PONCEUSE

Voir la figure 7, page 10.

Utilisation de la ponceuse :

- Assujettir la pièce à poncer pour l'immobiliser sous la ponceuse.

AVERTISSEMENT :

Une pièce non assujettie risque d'être projetée vers l'opérateur et de le blesser.

AVERTISSEMENT :

Garder la tête loin de la ponceuse et de l'endroit poncé. Les cheveux pourraient se prendre dans l'outil, risquant d'entraîner des blessures graves.

- Placer la ponceuse la pièce, en veillant à ce que toute la surface du disque abrasif soit en contact avec la surface à poncer.

AVIS :

Veiller à ne pas laisser la main couvrir les ouïes d'aération.

- Mettre la ponceuse en marche et la déplacer lentement sur la pièce.
- Effectuer des passes successives en ligne parallèles, cercles ou mouvements croisés.
- Arrêter la ponceuse et attendre l'arrêt complet du disque abrasif avant de la retirer de la pièce.

Ne pas forcer l'outil. Le poids de la ponceuse procure une pression adéquate. Il convient donc de laisser le papier de verre et l'outil effectuer le travail. Une pression supplémentaire ne fait que ralentir le moteur, user rapidement le disque abrasif et réduire considérablement

la vitesse du ponçage. Une pression excessive surcharge le moteur, qui risque d'être endommagé par une surchauffe et nuit à la qualité des résultats. Toute peinture ou résine se trouvant sur le bois peut fondre sous la chaleur créée par la friction. Ne pas tenir la ponceuse trop longtemps au même endroit car elle agit rapidement et pourrait enlever trop de matériau, laissant une surface inégale.

Un ponçage prolongé peut causer une surchauffe du moteur. Dans ce cas, arrêter la ponceuse et attendre l'arrêt complet du disque abrasif avant de la retirer de la pièce. Retirer la main de l'ouïe d'aération, puis mettre la ponceuse en marche et la laisser fonctionner à vide pour refroidir le moteur.

CADRAN DE VITESSE VARIABLE

Voir la figure 8, page 10.

Le cadran à vitesse variable permet de régler la vitesse de ponçage de 1 (vitesse la plus basse) à 6 (vitesse la plus élevée). Tourner le cadran au réglage de vitesse la plus élevée pour augmenter la vitesse du disque abrasif. Tourner le cadran au réglage de vitesse la plus basse pour diminuer la vitesse du disque abrasif.

VIDAGE DU SAC À POUSSIÈRE

Voir la figure 5, page 10.

Pour un fonctionnement plus efficace, vider le sac à poussière avant qu'il soit à moitié plein. Ceci permettra à l'air de mieux passer au travers du sac. Toujours vider et nettoyer soigneusement le sac après avoir terminé un travail de ponçage et avant de remiser la ponceuse.

AVERTISSEMENT :

La poussière produite lors du ponçage de revêtements de surface tels que le polyuréthane, l'huile de lin, etc., peut s'enflammer spontanément à l'intérieur ou à l'extérieur du sac et causer un incendie. Pour réduire le risque d'incendie, vider fréquemment le sac pendant le ponçage (toutes les 10 à 15 minutes) et ne jamais laisser ou remiser la ponceuse sans avoir complètement vidé le sac. En outre, suivre les recommandations du fabricant du revêtement.

Pour vider le sac à poussière:

- Retirer le bloc-piles.
- Retirer le sac à poussière de la ponceuse.
- Secouer le sac pour le débarrasser de la poussière.
- Remettre le sac en place sur la ponceuse.

ENTRETIEN

AVERTISSEMENT :

Utiliser exclusivement des pièces d'origine pour les réparations. L'usage de toute autre pièce pourrait créer une situation dangereuse ou endommager l'produit.

ENTRETIEN GÉNÉRAL

Éviter d'utiliser des solvants pour le nettoyage des pièces en plastique. La plupart des matières plastiques peuvent être endommagées par divers types de solvants du commerce. Utiliser un chiffon propre pour éliminer la saleté, la poussière, l'huile, la graisse, etc.

PROPOSITION 65 DE L'ÉTAT DE CALIFORNIE

AVERTISSEMENT :

Ce produit et la poussière dégagée lors du ponçage, sciage, meulage, perçage de certains matériaux et lors d'autres opérations de construction peuvent contenir des produits chimiques, notamment du plomb qui, selon l'État de la Californie, peuvent causer le cancer, des anomalies congénitales et d'autres dommages au système reproducteur. ***Bien se laver les mains après toute manipulation.***

Voici certains exemples de ces produits chimiques :

- le plomb contenu dans la peinture au plomb,
- la silice cristalline contenue dans les briques, le béton et d'autres produits de maçonnerie, ainsi que,
- l'arsenic et le chrome contenus dans le bois de construction traité par produits chimiques.

Le risque présenté par l'exposition à ces produits varie en fonction de la fréquence de ce type de travail. Pour réduire l'exposition, travailler dans un endroit bien aéré et utiliser des équipements de sécurité approuvés tels que masques antipoussières spécialement conçus pour filtrer les particules microscopiques.

ILLUSTRATIONS COMMENÇANT SUR 9 DE PAGE APRÈS LA SECTION ESPAGNOL.

Ce produit est accompagné d'une politique de satisfaction de 90 jours et d'une garantie limitée de trois (3) ans.

Pour obtenir les détails de la garantie et de la politique, visiter le site www.RIDGID.com ou appeler (sans frais) au 1-866-539-1710.

ADVERTENCIAS DE SEGURIDAD PARA HERRAMIENTAS ELÉCTRICAS



ADVERTENCIA

Lea todas las advertencias de seguridad y instrucciones. El incumplimiento de las advertencias e instrucciones puede ocasionar descarga eléctrica, fuego o lesiones graves.

Guarde todas las advertencias e instrucciones para futuras consultas. El término “herramienta eléctrica” empleado en todos los avisos de advertencia enumerados abajo se refiere a las herramientas eléctricas de cordón (alámbricas) y de baterías (inalámbricas).

SEGURIDAD EN EL ÁREA DE TRABAJO

- **Mantenga limpia y bien iluminada el área de trabajo.** Un área de trabajo mal despejada o mal iluminada propicia accidentes.
- **No utilice herramientas motorizadas en atmósferas explosivas, como las existentes alrededor de líquidos, gases y polvos inflamables.** Las herramientas eléctricas generan chispas que pueden encender el polvo y los vapores inflamables.
- **Mantenga alejados a los niños y circunstantes al maniobrar una herramienta eléctrica.** Toda distracción puede causar pérdida del control de la herramienta.

SEGURIDAD ELÉCTRICA

- **Las clavijas de las herramientas eléctricas deben corresponder a las tomas de corriente donde se conectan. Nunca modifique la clavija de ninguna forma. No utilice ninguna clavija adaptadora con herramientas eléctricas dotadas de contacto a tierra.** Conectando las clavijas originales en las tomas de corriente donde corresponden se disminuye el riesgo de una descarga eléctrica.
- **Evite el contacto del cuerpo con las superficies de objetos que estén haciendo tierra o estén conectados a ésta, como tuberías, radiadores, estufas y refrigeradores.** Existe un mayor riesgo de descargas eléctricas si el cuerpo está haciendo tierra.
- **No exponga las herramientas eléctricas a la lluvia ni a condiciones de humedad.** La introducción de agua en una herramienta eléctrica aumenta el riesgo de descargas eléctricas.
- **No maltrate el cordón eléctrico. Nunca utilice el cordón para trasladar, desconectar o tirar de la herramienta eléctrica. Mantenga el cordón alejado del calor, del aceite, de bordes afilados y de piezas móviles.** Los cordones eléctricos dañados o enredados aumentan el riesgo de descargas eléctricas.
- **Al utilizar una herramienta eléctrica a la intemperie, use un cordón de extensión apropiado para el exterior.** Usando un cordón adecuado para el exterior se disminuye el riesgo de descargas eléctricas.
- **Si inevitablemente debe utilizar una herramienta eléctrica en un lugar húmedo, utilice un interruptor de circuito con pérdida a tierra (GFCI) para tener un suministro protegido.** El uso de un GFCI disminuye el riesgo de descarga eléctrica.
- **Cargue las baterías solamente con el cargador indicado.** Para utilizar con paquetes de baterías de níquel-cadmio de 18 V o de iones de litio de 18 V, consulte el folleto de la herramienta/aparato/paquete de baterías/cargador complementario 988000-302.

SEGURIDAD PERSONAL

- **Permanezca alerta, preste atención a lo que esté haciendo y aplique el sentido común al utilizar herramientas eléctricas. No utilice la herramienta eléctrica si está cansado o se encuentra bajo los efectos de alguna droga, alcohol o medicamento.** Un momento de inatención al utilizar una herramienta eléctrica puede causar lesiones corporales serias.

- **Use equipo de seguridad. Siempre póngase protección ocular.** El uso de equipo de seguridad como mascarilla para el polvo, calzado de seguridad, casco y protección para los oídos en las circunstancias donde corresponda disminuye el riesgo de lesiones.
- **Evite un arranque accidental de la unidad. Asegúrese de que el interruptor esté en la posición de apagado antes de conectar la herramienta.** Portar las herramientas eléctricas con el dedo en el interruptor, o conectarlas con el interruptor puesto, propicia accidentes.
- **Retire toda llave o herramienta de ajuste antes de encender la herramienta eléctrica.** Toda llave o herramienta de ajuste dejada en una pieza giratoria de la herramienta eléctrica puede causar lesiones.
- **No estire el cuerpo para alcanzar mayor distancia. Mantenga una postura firme y buen equilibrio en todo momento.** De esta manera se logra un mejor control de la herramienta eléctrica en situaciones inesperadas.
- **Vístase adecuadamente. No vista ropas holgadas ni joyas. Mantenga el cabello, la ropa y los guantes alejados de las piezas móviles.** Las ropas holgadas, las joyas y el cabello largo pueden engancharse en las piezas móviles.
- **Si se suministran dispositivos para conectar mangueras de extracción y captación de polvo, asegúrese de que éstas estén bien conectadas y se usen correctamente.** La utilización de captador de polvo puede disminuir los peligros relacionados con el polvo.
- **No vista ropas holgadas ni joyas. Recójase el cabello si está largo.** Las ropas holgadas y las joyas, así como el cabello largo, pueden resultar atraídas hacia el interior de las aberturas de ventilación.
- **No utilice la unidad al estar en una escalera o en un soporte inestable.** Una postura estable sobre una superficie sólida permite un mejor control de la herramienta eléctrica en situaciones inesperadas.

EMPLEO Y CUIDADO DE LA HERRAMIENTA ELÉCTRICA

- **No fuerce la herramienta eléctrica. Utilice la herramienta eléctrica adecuada para cada trabajo.** La herramienta eléctrica adecuada efectúa mejor y de manera más segura el trabajo, si además se maneja a la velocidad para la que está diseñada.
- **No utilice la herramienta si el interruptor no enciende o no apaga.** Cualquier herramienta eléctrica que no pueda controlarse con el interruptor es peligrosa y debe repararse.
- **Desconecte la clavija del suministro de corriente o retire el paquete de baterías de la herramienta eléctrica, según sea el caso, antes de efectuarle cualquier ajuste, cambiarle accesorios o guardarla.** Tales medidas preventivas de seguridad reducen el riesgo de poner en marcha accidentalmente la herramienta.
- **Guarde las herramientas eléctricas desocupadas fuera del alcance de los niños y no permita que las utilicen personas no familiarizadas con las mismas o con estas instrucciones.** Las herramientas eléctricas son peligrosas en manos de personas no capacitadas en el uso de las mismas.
- **Preste servicio a las herramientas eléctricas. Revise para ver si hay desalineación o atoramiento de piezas móviles, ruptura de piezas o cualquier otra condición que pueda afectar el funcionamiento de la herramienta. Si está dañada la herramienta eléctrica, permita que la reparen antes de usarla.** Numerosos accidentes son causados por herramientas eléctricas mal cuidadas.

ADVERTENCIAS DE SEGURIDAD PARA HERRAMIENTAS ELÉCTRICAS

- **Mantenga las herramientas de corte afiladas y limpias.** Las herramientas de corte bien cuidadas y con bordes bien afilados, tienen menos probabilidad de atascarse en la pieza de trabajo y son más fáciles de controlar.
- **Utilice la herramienta eléctrica, los accesorios y brocas, hojas y cuchillas de corte, ruedas de esmeril, etc. de conformidad con estas instrucciones, tomando en cuenta las condiciones de trabajo y la tarea por realizar.** Si se utiliza la herramienta eléctrica para operaciones diferentes de las indicadas podría originar una situación peligrosa.

EMPLEO Y CUIDADO DE LA HERRAMIENTA DE BATERÍAS

- **Sólo cargue el paquete de baterías con el cargador especificado por el fabricante.** Un cargador adecuado para un tipo paquete de baterías puede significar un riesgo de incendio si se emplea con un paquete de baterías diferente.
- **Utilice las herramientas eléctricas sólo con los paquetes de baterías específicamente indicados.** El empleo de paquetes de baterías diferentes puede presentar un riesgo de incendio.
- **Cuando no esté utilizándose el paquete de baterías, manténgalo lejos de otros objetos metálicos, como clips,**

monedas, llaves, clavos, tornillos o otros objetos metálicos, pequeños que puedan establecer conexión entre ambas terminales. Establecer una conexión directa entre las dos terminales de las baterías puede causar quemaduras o incendios.

- **Si se maltratan las baterías, puede derramarse líquido de las mismas; evite todo contacto con éste. En caso de contacto, lávese con agua. Si el líquido llega a tocar los ojos, además busque atención médica.** El líquido de las baterías puede causar irritación y quemaduras.

SERVICIO

- **Permita que un técnico de reparación calificado preste servicio a la herramienta eléctrica, y sólo con piezas de repuesto idénticas.** De esta manera se mantiene la seguridad de la herramienta eléctrica.
- **Al dar servicio a una herramienta eléctrica, sólo utilice piezas de repuesto idénticas. Siga las instrucciones señaladas en la sección Mantenimiento de este manual.** El empleo de piezas no autorizadas o el incumplimiento de las instrucciones de mantenimiento puede significar un riesgo de descarga eléctrica o de lesiones.




ADVERTENCIAS DE SEGURIDAD DEL LIJADORA

- **Sujete las herramientas eléctricas por las superficies aisladas de sujeción al efectuar una operación en la cual la herramienta de corte pueda entrar en contacto con cables ocultos o con su propio cordón eléctrico.** Todo contacto de una herramienta con un cable cargado carga las piezas metálicas expuestas de la herramienta y da una descarga eléctrica al operador.
- **Familiarícese con su herramienta eléctrica. Lea cuidadosamente el manual del operador. Aprenda sus usos y limitaciones, así como los posibles peligros específicos de esta herramienta eléctrica.** Con el cumplimiento de esta regla se reduce el riesgo de una descarga eléctrica, incendio o lesión seria.
- **Siempre use protección ocular con laterales protectores con la marca de cumplimiento con la norma ANSI Z87.1 al ensamblar piezas, utilizar la herramienta o llevar a cabo tareas de mantenimiento.** Con el cumplimiento de esta regla se reduce el riesgo de lesiones corporales serias.
- **Protéjase los pulmones. Use una careta o mascarilla contra el polvo si la operación genera mucho polvo.** Con el cumplimiento de esta regla se reduce el riesgo de lesiones serias.
- **Protéjase los oídos. Durante periodos prolongados de utilización del producto, póngase protección para los oídos.** Con el cumplimiento de esta regla se reduce el riesgo de lesiones corporales serias.
- **No se necesita conectar a una toma de corriente las herramientas de baterías; por lo tanto, siempre están en condiciones de funcionamiento. Esté consciente de los posibles peligros cuando no esté usando la herramienta de baterías o cuando esté cambiando los accesorios de la misma.** Con el cumplimiento de esta regla se reduce el riesgo de una descarga eléctrica, incendio o lesión corporal seria.






- **No coloque herramientas de baterías ni las baterías mismas cerca del fuego o del calor.** De esta manera se reduce el riesgo de explosiones y de lesiones.
- **No aplaste, deje caer o dañe de baterías. Nunca utilice una batería o cargador que se ha caído, aplastado, recibido un golpe contundente o ha sido dañado(a) de alguna manera.** Las baterías dañadas pueden sufrir explosiones. Deseche de inmediato toda batería que haya sufrido una caída o cualquier daño.
- **Las baterías pueden explotar en presencia de fuentes de inflamación, como los pilotos de gas.** Para reducir el riesgo de lesiones serias, nunca use un producto inalámbrico en presencia de llamas expuestas. La explosión de una batería puede lanzar fragmentos y compuestos químicos. Si ha quedado expuesto a la explosión de una batería, lávese de inmediato con agua.
- **No cargue herramientas de baterías en lugares mojados o húmedos.** Con el cumplimiento de esta regla se reduce el riesgo de una descarga eléctrica.
- **Para obtener resultados óptimos, debe cargar la herramienta de baterías en un lugar donde la temperatura esté entre 10 y 38 °C (entre 50 y 100 °F). No guarde la herramienta a la intemperie ni en el interior de vehículos.**
- **En condiciones extremas de uso o temperatura las baterías pueden emanar líquido. Si el líquido llega a tocarle la piel, lávese de inmediato con agua y jabón. Si le entra líquido en los ojos, láveselos con agua limpia por lo menos 10 minutos, y después busque de inmediato atención médica.** Con el cumplimiento de esta regla se reduce el riesgo de lesiones corporales serias.
- **Guarde estas instrucciones.** Consúltelas con frecuencia y empléelas para instruir a otras personas que puedan utilizar esta herramienta. Si presta a alguien esta herramienta, facilítele también las instrucciones.

SÍMBOLOS

Las siguientes palabras de señalización y sus significados tienen el objeto de explicar los niveles de riesgo relacionados con este producto.

SÍMBOLO	SEÑAL	SIGNIFICADO
	PELIGRO:	Indica una situación peligrosa inminente, la cual, si no se evita, causará la muerte o lesiones serias.
	ADVERTENCIA:	Indica una situación peligrosa posible, la cual, si no se evita, podría causar la muerte o lesiones serias.
	PRECAUCIÓN:	Indica una situación peligrosa posible, la cual, si no se evita, podría causar lesiones menores o leves.
	AVISO:	(Sin el símbolo de alerta de seguridad) Indica información importante no relacionada con ningún peligro de lesiones, como una situación que puede ocasionar daños físicos.

Es posible que se empleen en este producto algunos de los siguientes símbolos. Le suplicamos estudiarlos y aprender su significado. Una correcta interpretación de estos símbolos le permitirá utilizar mejor y de manera más segura el producto.

SÍMBOLO	NOMBRE	DENOMINACIÓN/EXPLICACIÓN
	Alerta de seguridad	Indica un peligro posible de lesiones personales.
	Lea manual del operador	Para reducir el riesgo de lesiones, el usuario debe leer y comprender el manual del operador antes de usar este producto.
	Protección para los ojos	Siempre póngase protección ocular con la marca de cumplimiento de la norma ANSI Z87.1 junto con protección auditiva.
	Alerta de condiciones húmedas	No exponga la unidad a la lluvia ni la use en lugares húmedos.
	Símbolos de reciclado	Este producto contiene baterías de níquel-cadmio o iones de litio. Es posible que algunas leyes municipales, estatales o federales prohíban desechar las baterías de níquel-cadmio en la basura normal. Consulte a las autoridades reguladoras de desechos para obtener información en relación con las alternativas de reciclado y desecho disponibles.
V	Volts	Voltaje
min	Minutos	Tiempo
==	Corriente continua	Tipo o característica de corriente
n_0	Velocidad en vacío	Velocidad de rotación, en vacío
.../min	Por minuto	Revoluciones, carreras, velocidad superficial, órbitas, etc., por minuto

CARACTERÍSTICAS

ESPECIFICACIONES DEL PRODUCTO

Diámetro del disco de lija.....	127 mm (5 pulg.)
Diámetro de la órbita.....	3,2 mm (1/8 pulg.)
Velocidad en vacío	7 000 - 11 000 OPM

ARMADO

ADVERTENCIA:

No use este producto si no está totalmente ensamblado o si alguna pieza falta o está dañada. El uso de un producto que no está adecuadamente y completamente ensamblado o posee partes dañadas o faltantes puede resultar en lesiones personales graves.

ADVERTENCIA:

No intente modificar este producto ni crear accesorios que no estén recomendados para usar con este producto. Dichas alteraciones o modificaciones constituyen un uso indebido y podrían provocar una situación de riesgo que cause posibles lesiones personales graves.

Si hay piezas dañadas o faltantes, le suplicamos llamar al 1-866-539-1710, donde le brindaremos asistencia.

FUNCIONAMIENTO

ADVERTENCIA:

No permita que su familiarización con las herramientas lo vuelva descuidado. Tenga presente que un descuido de un instante es suficiente para causar una lesión grave.

ADVERTENCIA:

Siempre retire el paquete de baterías de la herramienta cuando esté ensamblando partes, realizando ajustes, limpiando o cuando ésta no esté en uso. Retirando el paquete de baterías se evita arrancar accidentalmente la unidad, lo cual puede causar lesiones serias.

ADVERTENCIA:

Siempre póngase protección ocular con protección lateral con la marca de cumplimiento de la norma ANSI Z87.1. Si no cumple esta advertencia, los objetos que salen despedidos pueden producirle lesiones serias en los ojos.

ADVERTENCIA:

No utilice ningún aditamento o accesorio no recomendado por el fabricante de esta producto. El empleo de aditamentos o accesorios no recomendados podría causar lesiones serias.

APLICACIONES

Este producto puede emplearse para los fines siguientes:

- Lijado de superficies de productos de madera o de metal
- Lijado de superficies de acero
- Eliminación de herrumbre de superficies de acero

INSTALACIÓN/QUITAR DEL PAQUETE DE BATERÍAS

Vea la figura 1, página 9.

Para instalar:

- Coloque el paquete de baterías.
- Asegúrese de que los pestillos situados a ambos lados del paquete de baterías entren a presión en su lugar y de que el paquete se coloque correctamente en el producto antes de empezar a utilizarlo.

Para quitar:

- Oprima los pestillos de cada lado del paquete de baterías.

APAGADO Y ENCENDIDO DE LA LIJADORA

Vea la figura 2, página 9.

Para encender la lijadora:

- Coloque el paquete de baterías.
- Presione y suelte el botón **APAGADO/ENCENDIDO**.

Apague la lijadora.

- Presione y suelte el botón **APAGADO/ENCENDIDO**.

NOTA: La lijadora siempre está en la posición **APAGADO** cuando el paquete de baterías no está instalado.

FUNCIONAMIENTO

SELECCIÓN DE DISCOS DE LIJA

La selección del disco de lija del tipo adecuado y del grano de tamaño correcto es un paso importante en el logro de un lijado con acabado de alta calidad. Los abrasivos de óxido de aluminio, de carburo de silicón y otros productos sintéticos son los mejores para el lijado con herramientas eléctricas. Los abrasivos naturales, como el polvo de pedernal y de granate, son demasiado suaves para utilizarse de manera económica en el lijado motorizado.

En general, el grano grueso elimina más material, y el grano fino produce mejor acabado en todas las operaciones de lijado. El estado de la superficie por lijar determina cuál grano es el más adecuado. Si la superficie está áspera, comience con un grano grueso y líjela hasta que quede uniforme. El grano mediano puede utilizarse para eliminar rasguños producidos por el grano grueso, y el grano fino puede utilizarse para acabar la superficie. Siempre continúe lijando con cada grano hasta que esté uniforme la superficie.

ADVERTENCIA:

Siempre retire el paquete de pilas al poner o cambiar las hojas de lija. De lo contrario la unidad puede ponerse en marcha accidentalmente, con el consiguiente posible riesgo de lesiones serias.

COLOCACIÓN DE LOS DISCOS DE LIJA DE GANCHO Y LAZADA

Vea la figura 3, página 9.

- Retire el paquete de baterías.
- Alinee los orificios del disco de lija de gancho y lazada con los orificios de la almohadilla, y después oprima cuidadosamente el lado rizado del disco de lija contra la almohadilla tan ajustadamente como sea posible.

NOTA: Los discos de lija del tipo de gancho y lazada pueden reutilizarse durante la vida de servicio del material abrasivo de lijado del disco. Se recomienda mantener limpia la almohadilla de respaldo del disco de lija para poder lograr una adhesión óptima. Límpiela ocasionalmente cepillándola ligeramente con un cepillo pequeño.

INSTALACIÓN DE LA ALMOHADILLA OPCIONAL Y DEL ACCESORIO DE DISCO DE LIJA AUTOADHESIVOS (PSA) (NO INCLUIDO)

Vea la figura 4, página 9.

La lijadora viene con la almohadilla de gancho y lazada Micro-Fiber™ puesta. Para fijar la almohadilla autoadhesiva (PSA) opcional, es necesario desprender primero la almohadilla de gancho y lazada. Inspeccione el disco de lija antes de fijarlo. No lo utilice si está roto o defectuoso.

- Retire el paquete de baterías.
- Retire los cuatro tornillos encargados de fijar la almohadilla de gancho y lazada en su lugar.
- Retire la almohadilla de gancho y lazada.
- Limpie las partículas de polvo del freno de la almohadilla.
- Aplique una capa delgada de grasa de baja viscosidad en la parte posterior de la almohadilla.
- Alinee los orificios de la almohadilla autoadhesiva (PSA) con los cuatro orificios para tornillo de la lijadora.
- Fije firmemente los cuatro tornillos.
- Desprenda con cuidado el papel protector del disco de lija autoadhesivo.
- Alinee los orificios del disco de lija con los orificios de la almohadilla de respaldo, y después oprima cuidadosamente el lado adhesivo del disco de lija contra la almohadilla tan ajustadamente como sea posible.

NOTA: Los orificios del disco de lija deben quedar alineados con la almohadilla de respaldo con el fin de que sea eficaz la característica de eliminación de polvo de la lijadora.

NOTA: Se recomienda limpiar ocasionalmente la almohadilla de respaldo cepillándola ligeramente con un cepillo pequeño. La acumulación de polvo podría impedir al disco de lija adherirse adecuadamente.

RETIRE EL DISCO DE LIJA PSA DE LA ALMOHADILLA DE RESPALDO PSA OPCIONAL ANTES DEL ALMACENAMIENTO

No guarde la lijadora con el disco de lija puesto. El calor generado por el lijado hace fluir el adhesivo y éste forma una unión firme entre la almohadilla de respaldo y el disco de lija.

Retirando el disco de lija con prontitud después de terminarse las operaciones de lijado se evita la solidificación del adhesivo. Si se deja el disco de lija en la almohadilla de respaldo durante un período de tiempo prolongado después de usarse, se solidifica el adhesivo y se dificulta el desprendimiento del disco.

Puede llegar a romperse durante el desprendimiento. Cuando ocurre esta situación, se dificulta limpiar la almohadilla de respaldo para el siguiente disco de lija.

NOTA: Si olvida desprender el disco de lija después de una operación de lijado, líjelo durante unos pocos minutos para suavizar el adhesivo antes de intentar desprender el disco de lija.

FUNCIONAMIENTO

CONEXIÓN DE LA LIJADORA A UNA ASPIRADORA

Veá las figuras 5 - 6, página 10.

El adaptador de vacío integrado dispone de una conexión de 28,6 mm y 63,5 mm (1-1/4 pulg. y de 2-1/2 pulg.) para conectar mangueras de vacío estándar. Esto ayuda a mantener limpia el área de trabajo.

Para instalar la manguera de aspiración:

- Retire el paquete de baterías.
- Gire el saco captapolvo en sentido antihorario hasta la posición **DESBLOQUEAR** para quitarlo de la lijadora.
- Conecte la manguera de vacío al escape del soplador.

NOTA: La manguera de vacío entra en el escape del soplador.

- Réinstalar el paquete de batería.

ADVERTENCIA:

Cuando la lijadora no esté conectada a una aspiradora, siempre vuelva a instalar el conjunto del saco captapolvo en la lijadora. La inobservancia de esta advertencia puede causar el lanzamiento de polvo, virutas o partículas sueltas a los ojos, con las consiguientes posibles lesiones serias.

Para volver a instalar el saco captapolvo:

- Retire el paquete de baterías.
- Alinee las ranuras del saco captapolvo con las ranuras del abertura de salida de polvo de la lijadora.
- Vuelva a instalar el saco captapolvo en el abertura de salida de polvo.
- Gire a la derecha el saco hasta no dejarlo asegurado en su lugar.

UTILIZACIÓN DE LA LIJADORA

Veá la figura 7, página 10.

Para utilizar la lijadora:

- Asegure la pieza de trabajo para evitar que se mueva bajo la lijadora.

ADVERTENCIA:

Si no se asegura la pieza de trabajo puede salir lanzada hacia el operador y causarle lesiones.

ADVERTENCIA:

Mantenga la cabeza alejada de la lijadora y del área de lijado. El cabello puede resultar atraído hacia la lijadora, causando lesiones serias.

-
- Coloque la lijadora en la pieza de trabajo de manera que toda la superficie del disco de lija quede en contacto con la pieza de trabajo.

AVISO:

Tenga cuidado de no cubrir con la mano las aberturas de aire.

-
- Encienda la lijadora y muévala lentamente por la pieza de trabajo.
 - Realice pasadas sucesivas en líneas paralelas, o con movimientos entrecruzados.
 - Apague la lijadora y espere a que el disco de lija se detenga completamente antes de retirarlo de la pieza de trabajo.

No fuerce la herramienta. El peso de la unidad proporciona una presión suficiente, por lo tanto deje el trabajo a la lijadora y al disco de lija. Si se aplica presión adicional se aminora la marcha del motor, se gasta con mayor rapidez el disco de lija y se reduce notablemente la velocidad de la lijadora. Una presión excesiva recarga el motor y puede dañarlo debido al recalentamiento del mismo, y puede incluso producirse un trabajo de calidad inferior. Todo acabado o resina presente en la madera puede suavizarse debido al calentamiento generado por la fricción. No lije demasiado tiempo en un mismo lugar, ya que la rápida acción de la lijadora puede desprender demasiado material, dejando desigual la superficie.

El lijado durante períodos prolongados de tiempo puede recalentar el motor. Si tal cosa ocurre, apague la lijadora, espere a que el disco de lija se detenga completamente, y después retírelo de la pieza de trabajo. Retire la mano del área de las aberturas de aire, retire el disco de lija, y después con la mano retirada del área de las aberturas de aire encienda la lijadora y déjela funcionar en vacío para permitir el enfriamiento del motor.

FUNCIONAMIENTO

DIAL DE VELOCIDAD VARIABLE

Vea la figura 8, página 10.

El dial de velocidad variable permite ajustar la velocidad de lijado de 1 (velocidad más lenta) hasta 6 (velocidad más rápida). Para aumentar la velocidad del disco lijador, gire el dial hasta la configuración más rápida. Gire el dial hasta la configuración más lenta para disminuir la velocidad del disco lijador.

VACIADO DEL SACO CAPTAPOLVO

Vea las figura 5, página 10.

Para lograr un desempeño más eficiente de la unidad, vacíe el saco captapolvo antes de que se llene a la mitad. De esta manera se permite que el aire fluya mejor a través del saco. Siempre vacíe y limpie a fondo el saco captapolvo al completar una operación de lijado y antes de guardar la lijadora.



ADVERTENCIA:

El polvo recolectado durante el lijado de capas de acabado como poliuretano, aceite de linaza, etc., puede inflamarse por sí solo en el saco captapolvo o en otra parte, y puede causar un incendio. Para reducir el riesgo de incendio siempre vacíe con frecuencia el saco captapolvo (cada 10 ó 15 minutos) mientras está lijando, y nunca guarde ni deje la lijadora sin haber vaciado completamente el saco. También siga las recomendaciones de los fabricantes de acabados.

Para vaciar el saco captapolvo:

- Retire el paquete de baterías.
- Retire de la lijadora el saco captapolvo.
- Sacuda el saco para sacar el polvo.
- Vuelva a conectar el saco captapolvo en la lijadora.

MANTENIMIENTO



ADVERTENCIA:

Al dar servicio a la unidad, sólo utilice piezas de repuesto idénticas. El empleo de piezas diferentes podría causar un peligro o dañar el producto.

MANTENIMIENTO GENERAL

Evite el empleo de solventes al limpiar piezas de plástico. La mayoría de los plásticos son susceptibles a diferentes tipos de solventes comerciales y pueden resultar dañados. Utilice paños limpios para eliminar la suciedad, el polvo, el aceite, la grasa, etc.

CALIFORNIA - PROPUESTA DE LEY NÚM. 65



ADVERTENCIA:

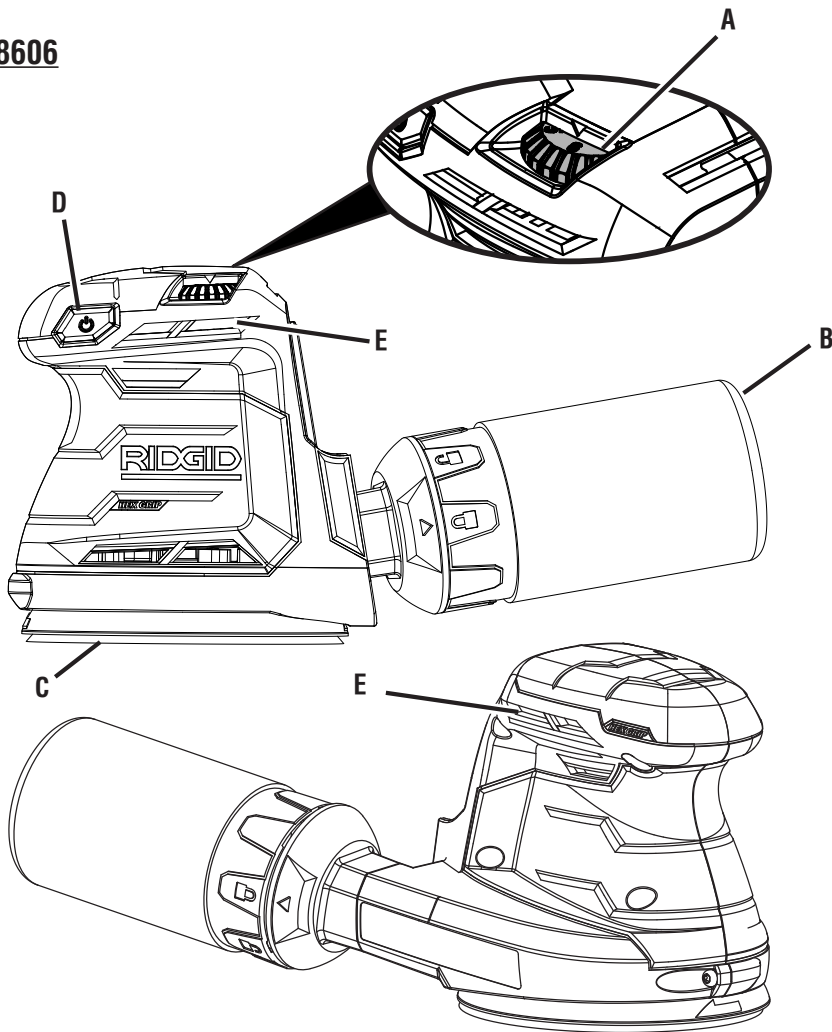
Este producto y algunos polvos generados al efectuarse operaciones de lijado, aserrado, esmerilado, taladrado y otras actividades de la construcción, contienen sustancias químicas reconocidas por el estado de California como causantes de cáncer, defectos congénitos y otras afecciones del aparato reproductor. **Lávese las manos después de utilizar el aparato.**

Algunos ejemplos de estas sustancias químicas son:

- plomo de las pinturas a base de plomo,
- sílice cristalino de los ladrillos, del cemento y de otros productos de albañilería, y
- arsénico y cromo de la madera químicamente tratada.

El riesgo de la exposición a estos compuestos varía, según la frecuencia con que se realice este tipo de trabajo. Para reducir la exposición personal, trabaje en áreas bien ventiladas, y con equipo de seguridad aprobado, tal como las caretas para el polvo especialmente diseñadas para filtrar partículas microscópicas.

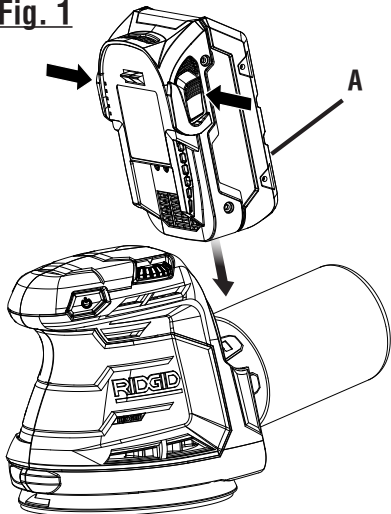
Este producto tiene una política de satisfacción garantizada de 90 días y una garantía limitada de tres años. Para obtener detalles sobre la garantía y la política de satisfacción garantizada, diríjase a www.RIDGID.com o llame sin cargo al 1-866-539-1710.



A - Variable speed dial (cadran de vitesse variable, dial de velocidad variable)
 B - Dust bag (sac à poussière, saco captapolvero)
 C - Hook-and-loop backing pad (plateau porte-disque adhésif, almohadilla de respaldo de gancho y lazada)

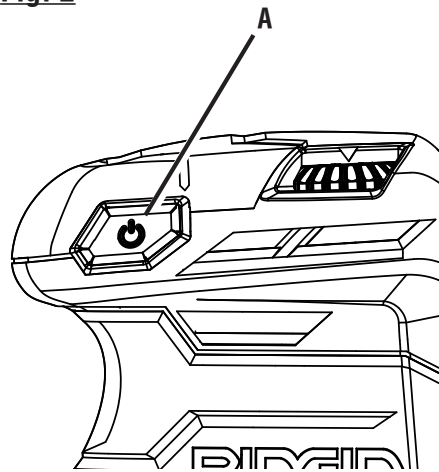
D - On/off button (commutateur marche/arrêt, interruptor de encendido)
 E - Air vents (air vents, air vents)

Fig. 1



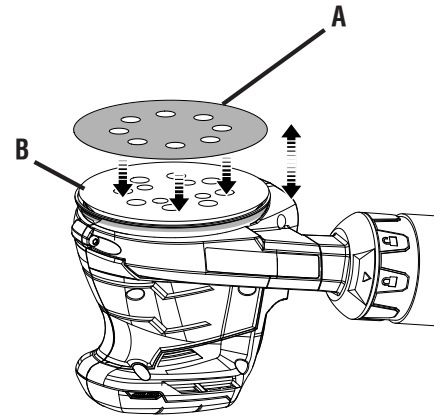
A - Battery pack (bloc-pile, paquete de baterías)

Fig. 2



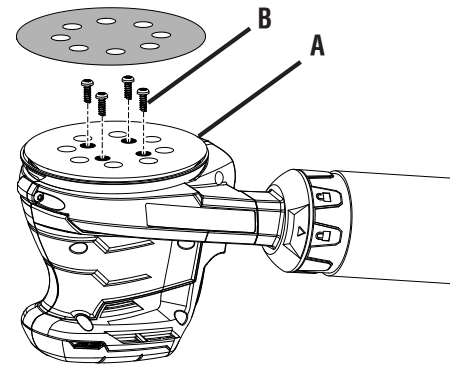
A - To turn ON/OFF (pour mettre en marche/arrêt, para encender/apagar la unidad)

Fig. 3



A - Sanding disc (disque abrasif, disco lijador)
 B - Hook-and-loop backing pad (plateau porte-disque adhésif, almohadilla de respaldo de gancho y lazada)

Fig. 4



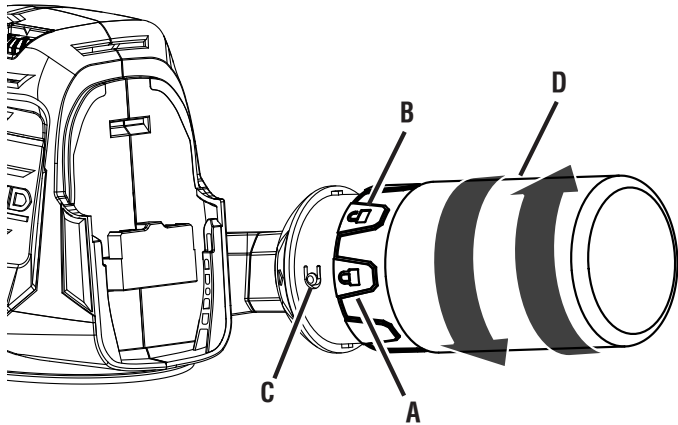
A - Pressure sensitive adhesive (PSA) backing pad attachment and sanding disc [Le plateau porte-disque autocollant (PSA) et le disque abrasif, el accesorio para la almohadilla de respaldo autoadhesiva (PSA) y el disco de lija]
 B - Screws (vis, tornillos)

Fig. 5

TURN BAG COUNTERCLOCKWISE TO UNLOCK AND REMOVE.
TURN CLOCKWISE TO REINSTALL AND LOCK.

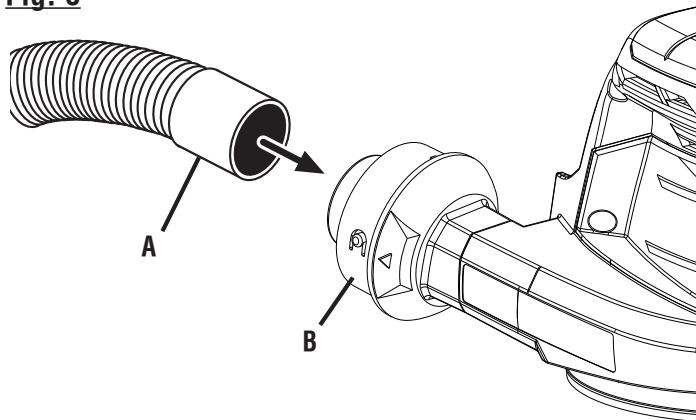
TOURNER LE SAC À POUSSIÈRE VERS LA GAUCHE POUR LE DÉVERROUILLER AFIN DE LA RETIRER. TOURNER VERS LA DROITE POUR RÉINSTALLER ET VERROUILLER.

GIRE EL SACO CAPTAPOLVO EN SENTIDO ANTIHORARIO PARA DESBLOQUEAR Y QUITAR. GIRE EN SENTIDO HORARIO PARA VOLVER A INSTALAR Y BLOQUEAR.



- A - LOCK (VERROUILLEZ, SEGURO)
- B - UNLOCK (DÉVERROUILLAGE, DESASEGARAR)
- C - Grooves (rainurés, ranuras)
- D - Dust bag (sac à poussière, sacco captapolvo)

Fig. 6



- A - Vacuum hose (boyau d'aspirateur, manguera de aspiración)
- B - Vacuum adaptor (adaptateur d'aspiration, adaptador para aspiradora)

Fig. 7

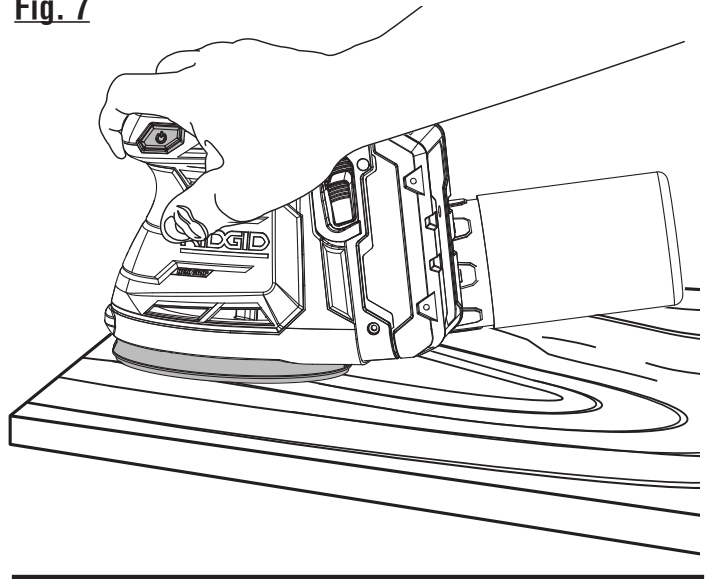
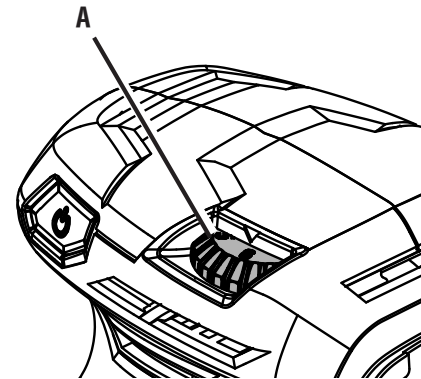


Fig. 8



- A - Variable speed dial (cadran de vitesse variable, dial de velocidad variable)

OPERATOR'S MANUAL

MANUEL D'UTILISATION

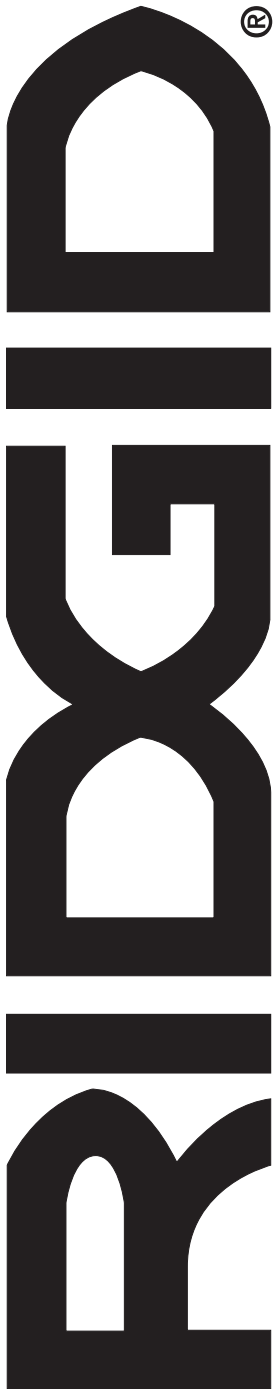
MANUAL DEL OPERADOR

18 VOLT RANDOM ORBIT SANDER

PONCEUSE À ORBITE ALÉATOIRE DE 18 V

LIJADORA ORBITAL ALEATORIA DE 18 V

R8606



Customer Service Information:

For parts or service, do not return this product to the store. Contact your nearest RIDGID® authorized service center. Be sure to provide all relevant information when you call or visit. For the location of the authorized service center nearest you, please call 1-866-539-1710 or visit us online at www.RIDGID.com.

MODEL NO. _____ SERIAL NO. _____

Service après-vente :

Pour acheter des pièces ou pour un dépannage, ne pas retourner ce produit au magasin. Contacter le centre de réparations RIDGID® agréé le plus proche. Veiller à fournir toutes les informations pertinentes lors de tout appel téléphonique ou visite. Pour obtenir l'adresse du centre de réparations agréé le plus proche, téléphoner au 1-866-539-1710 ou visiter notre site www.RIDGID.com.

NO. DE MODÈLE _____ NO. DE SÉRIE _____

Información sobre servicio al consumidor:

Para piezas de repuesto o servicio, no devuelva este producto a la tienda. Comuníquese con el centro de servicio autorizado de productos RIDGID® de su preferencia. Asegúrese de proporcionar todos los datos pertinentes al llamar o al presentarse personalmente. Para obtener información sobre el centro de servicio autorizado más cercano a usted, le suplicamos llamar al 1-866-539-1710 o visitar nuestro sitio en la red mundial, en la dirección www.RIDGID.com.

NÚM. DE MODELO _____ NÚM. DE SERIE _____

ONE WORLD TECHNOLOGIES, INC.

P.O. Box 35, Hwy. 8
Pickens, SC 29671, USA
1-866-539-1710 ■ www.RIDGID.com

RIDGID is a registered trademark of RIDGID, Inc., used under license.