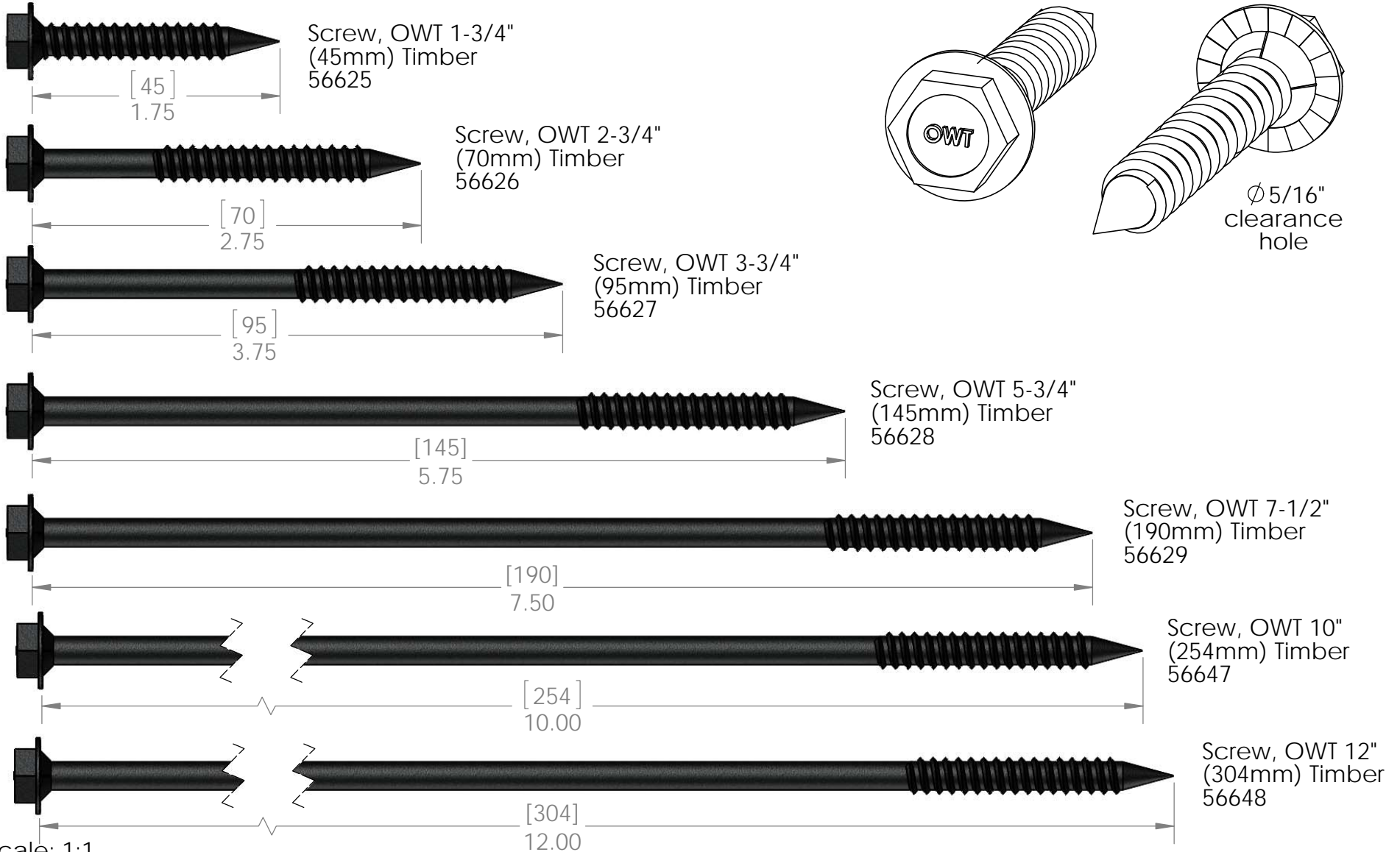




OZCO BUILDING PRODUCTS

# Product & Packaging Specs

## OWT Timber Screw



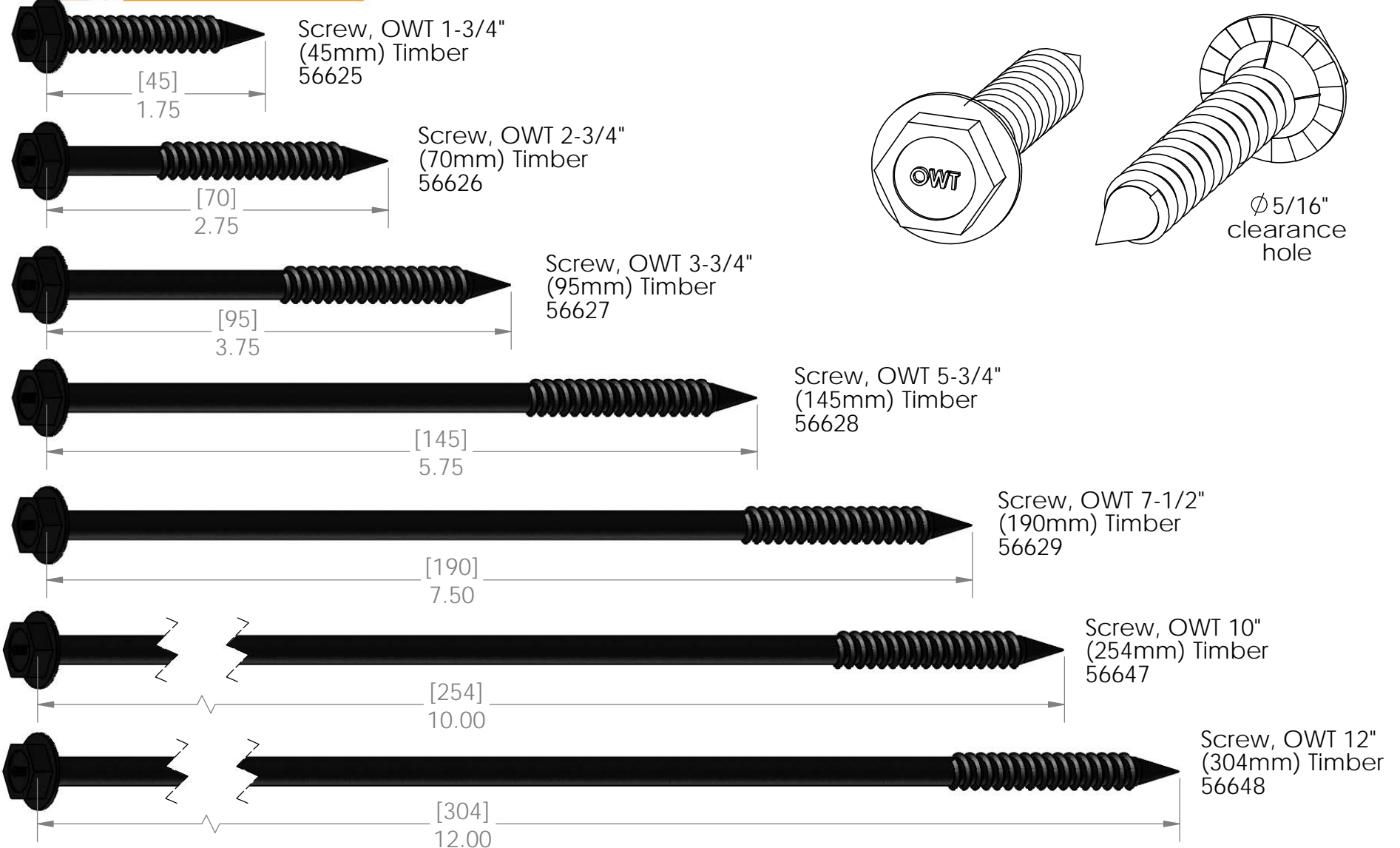
Scale: 1:1  
Last updated: 10/1/2015  
OWT Timber Screw



# Product & Packaging Specs

## OWT Timber Screw

OZCO BUILDING PRODUCTS

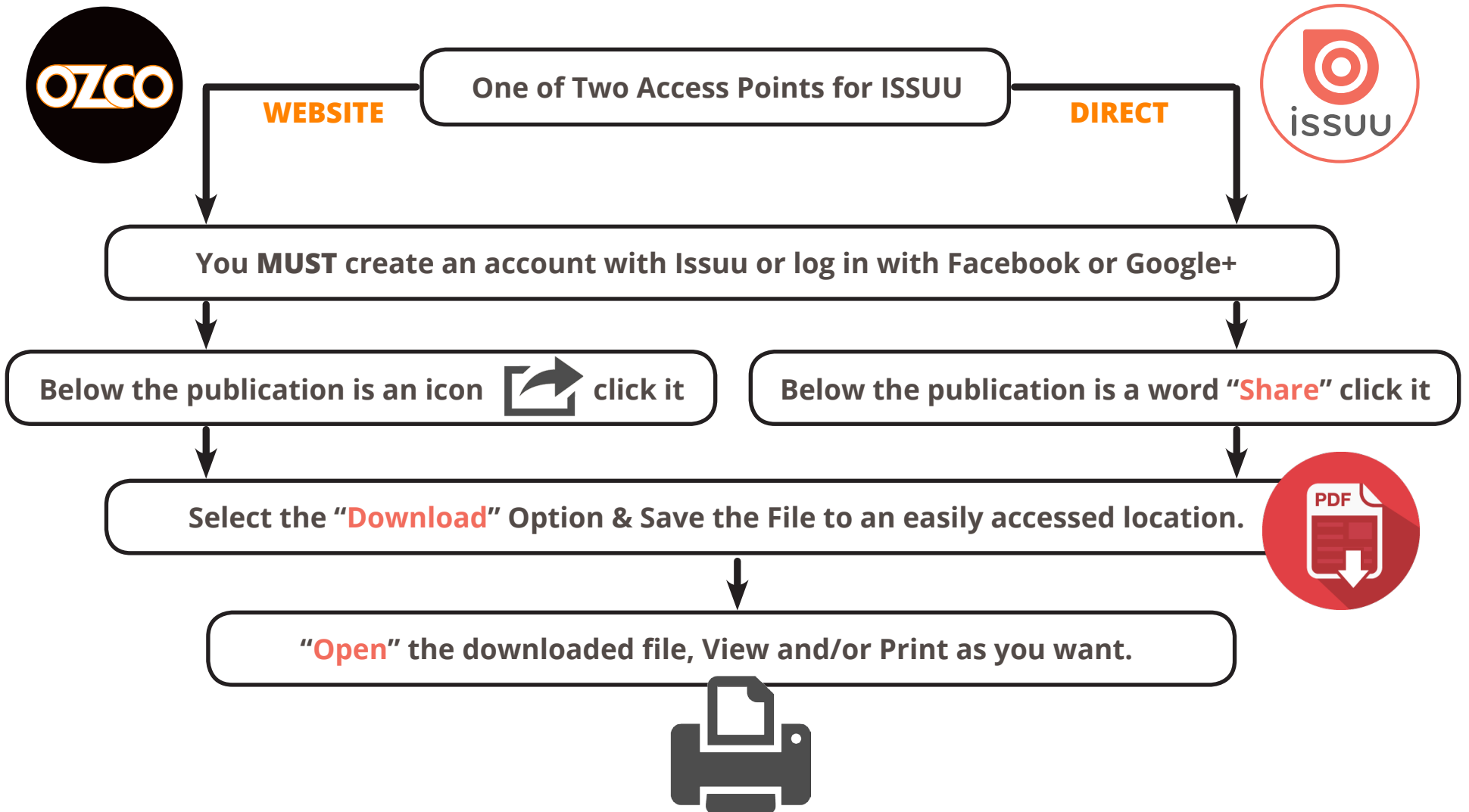


Scale: 1:1  
 Last updated: 10/1/2015  
 OWT Timber Screw



# Printing Documents from ISSUU

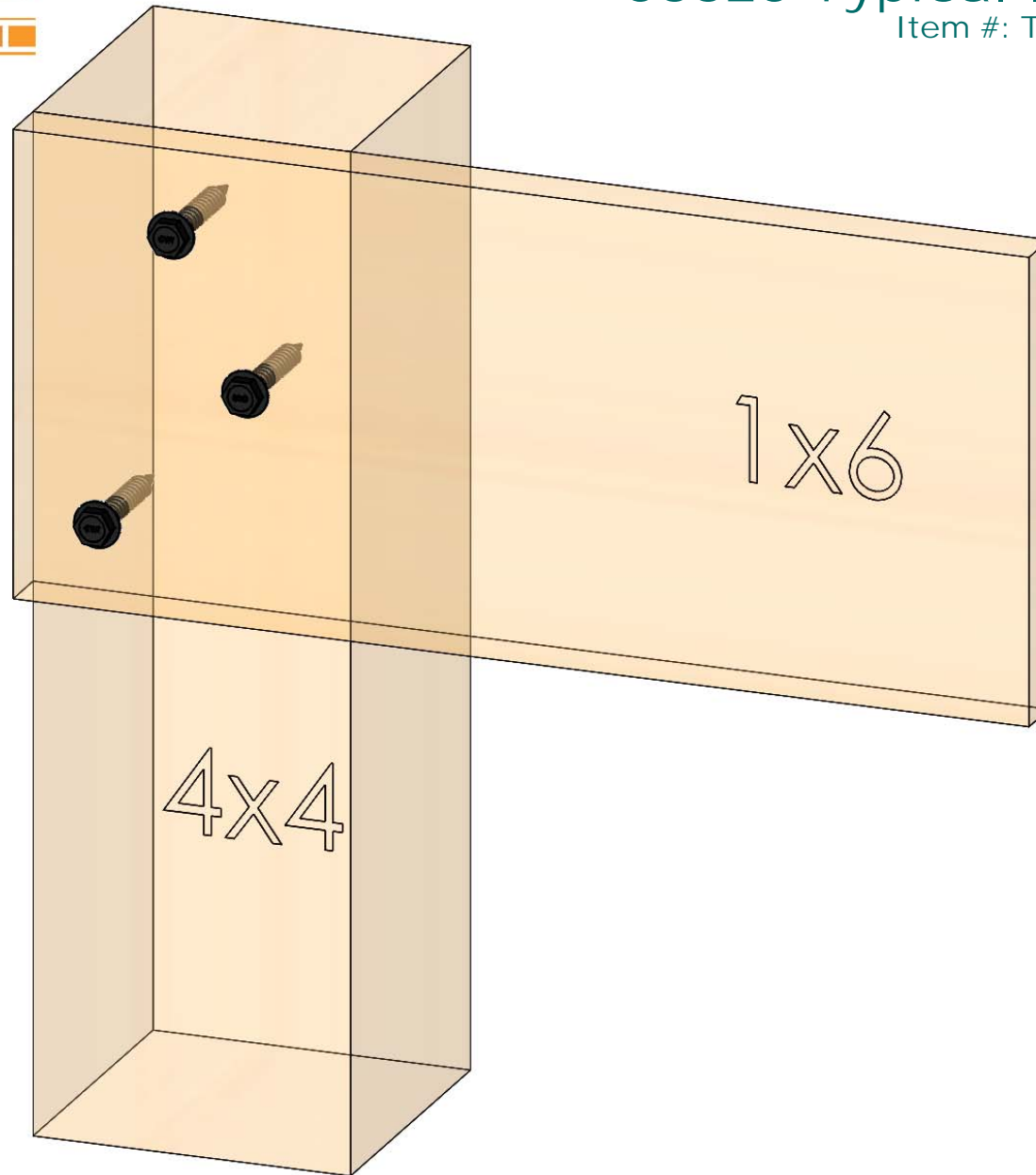
Unfortunately, there is currently no way to print content directly through issuu. To print a publication, you will need to download it and print it from your computer.



# Product & Packaging Specs

## 56625 Typical Installation

Item #: Typical Installation



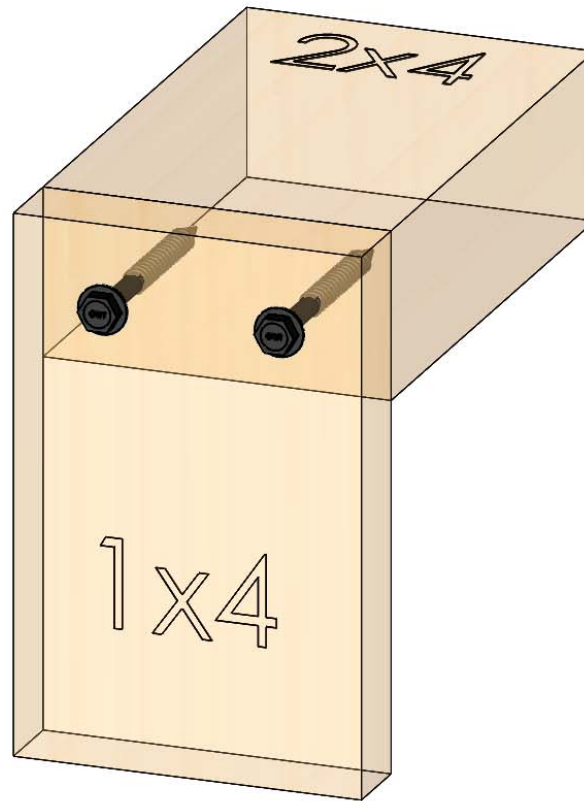
Weight: LBS  
Scale: 1:2  
Last updated: 10/1/2015

**OWT Timber Screw**

# Product & Packaging Specs

## 56626 Typical Installation

Item #: Typical Installation



Weight: LBS  
Scale: 1:2  
Last updated: 10/1/2015

**OWT Timber Screw**

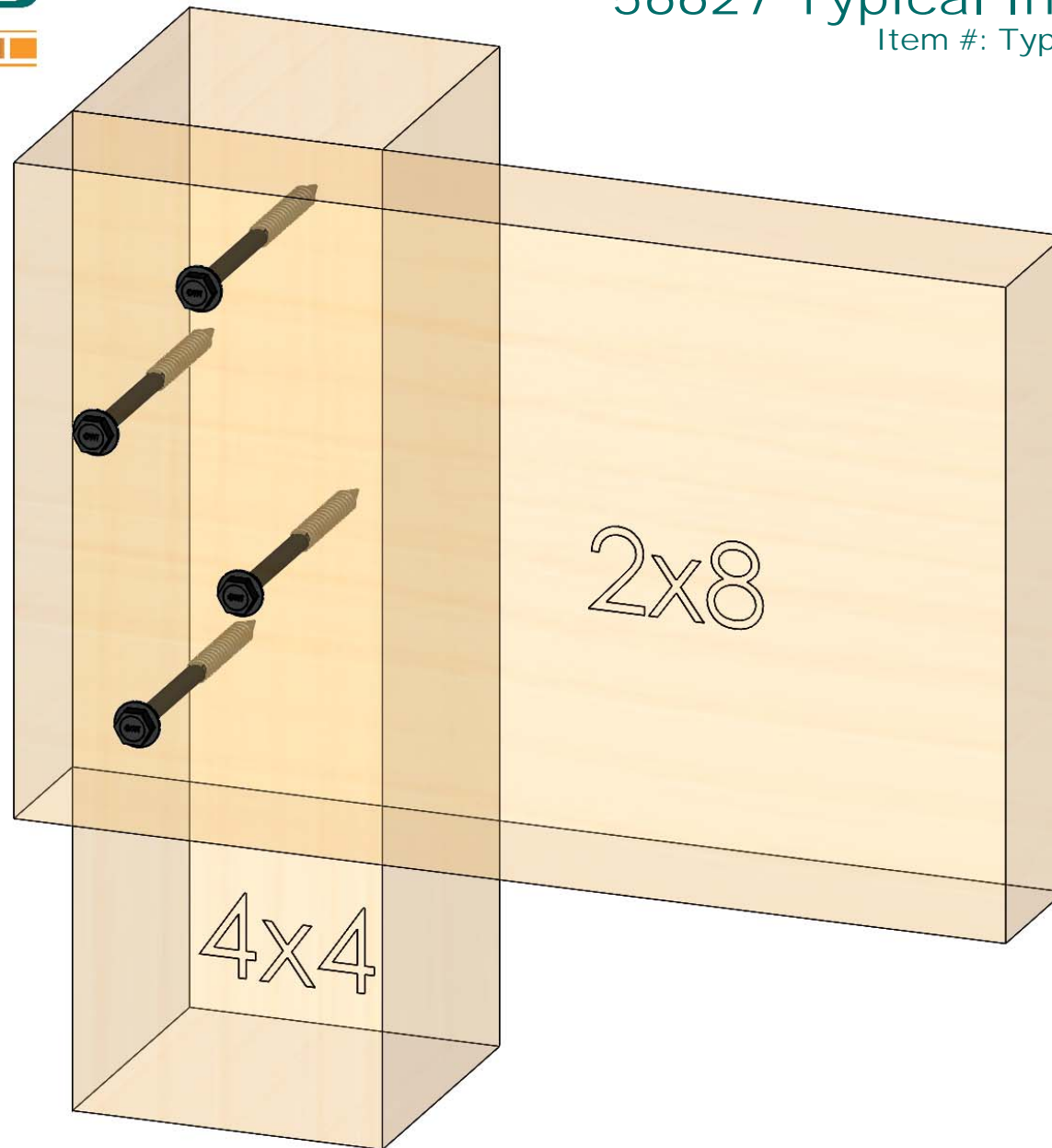


OZCO BUILDING PRODUCTS

# Product & Packaging Specs

56627 Typical Installation

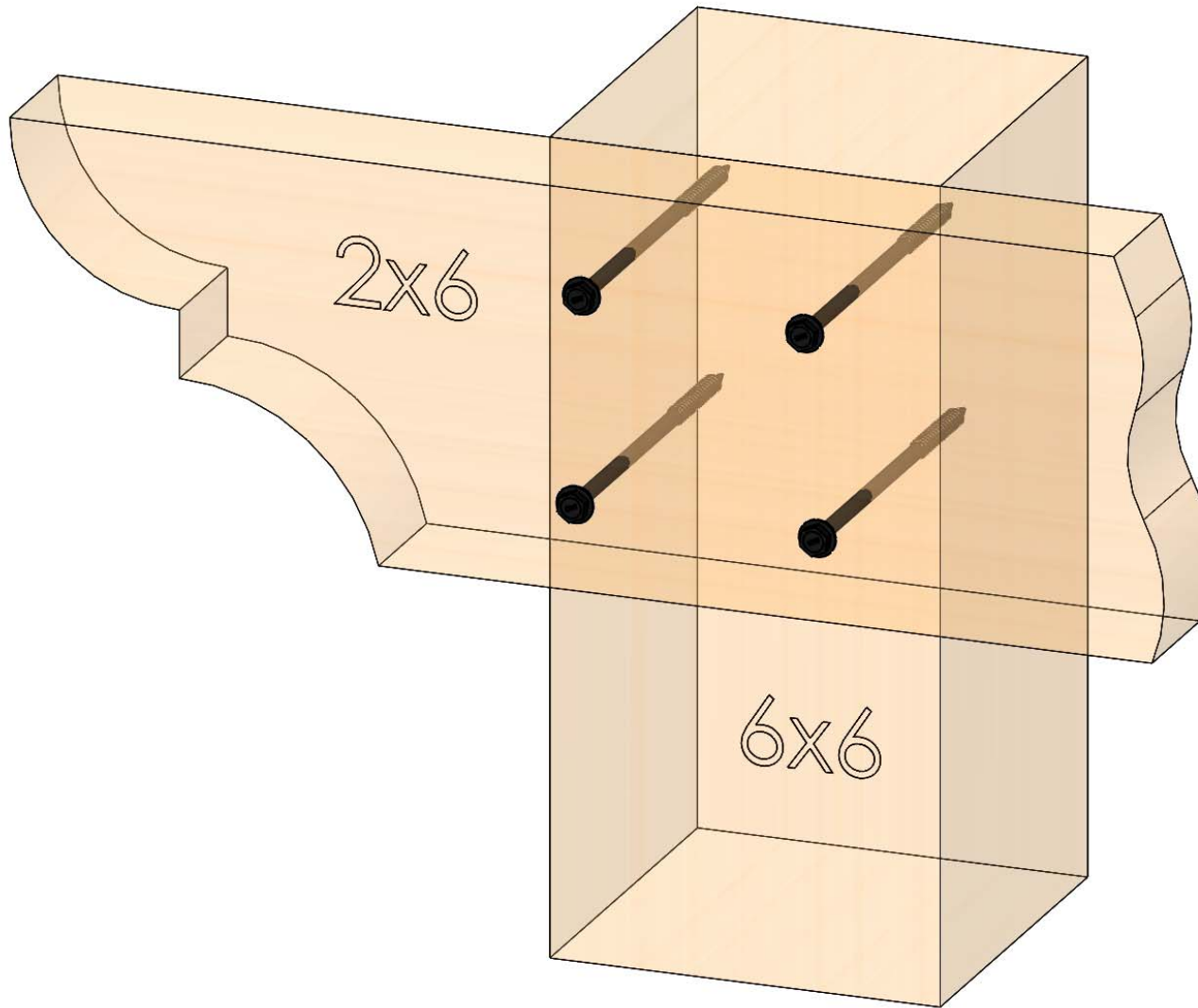
Item #: Typical Installation



Weight: LBS  
Scale: 1:2  
Last updated: 10/1/2015

**OWT Timber Screw**

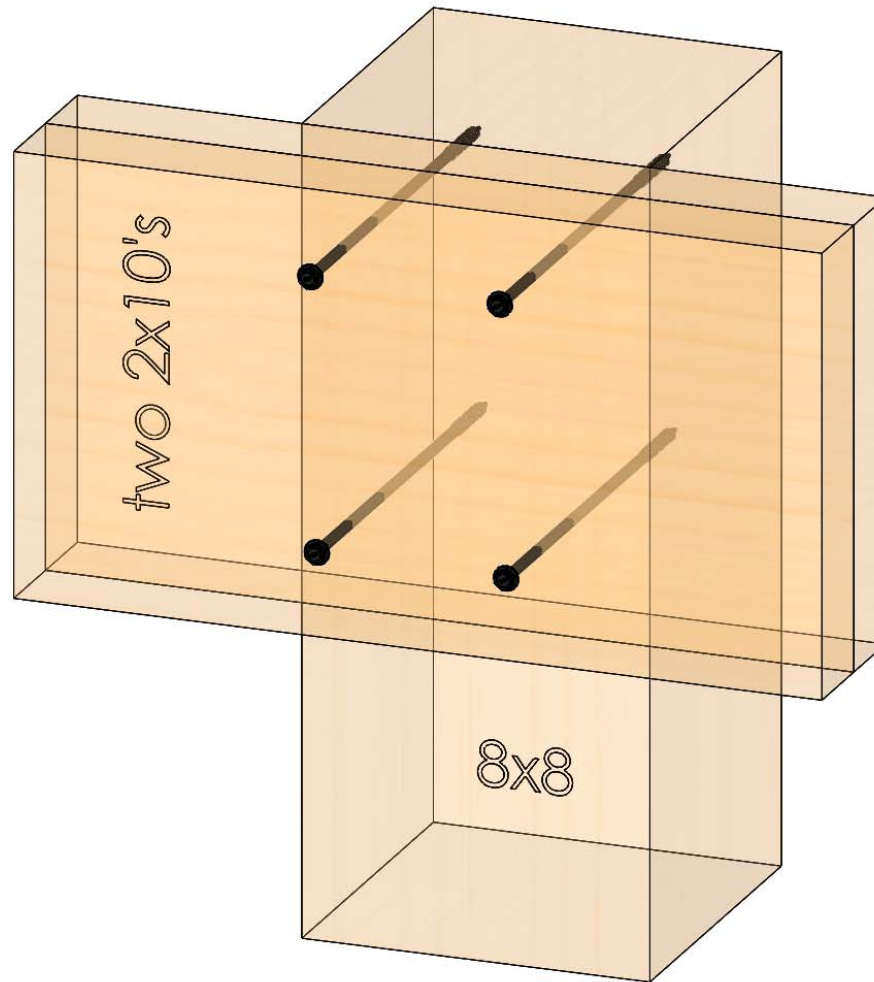
V1.00 - Installation Instructions effective May 1, 2015 and reflects information that available as of April 10, 2014. This information is updated periodically and should not be relied upon after May 1, 2015. Please visit [www.OZCOBP.com](http://www.OZCOBP.com) to get current information



Weight: LBS  
Scale: 1:2.5  
Last updated: 10/1/2015

**OWT Timber Screw**

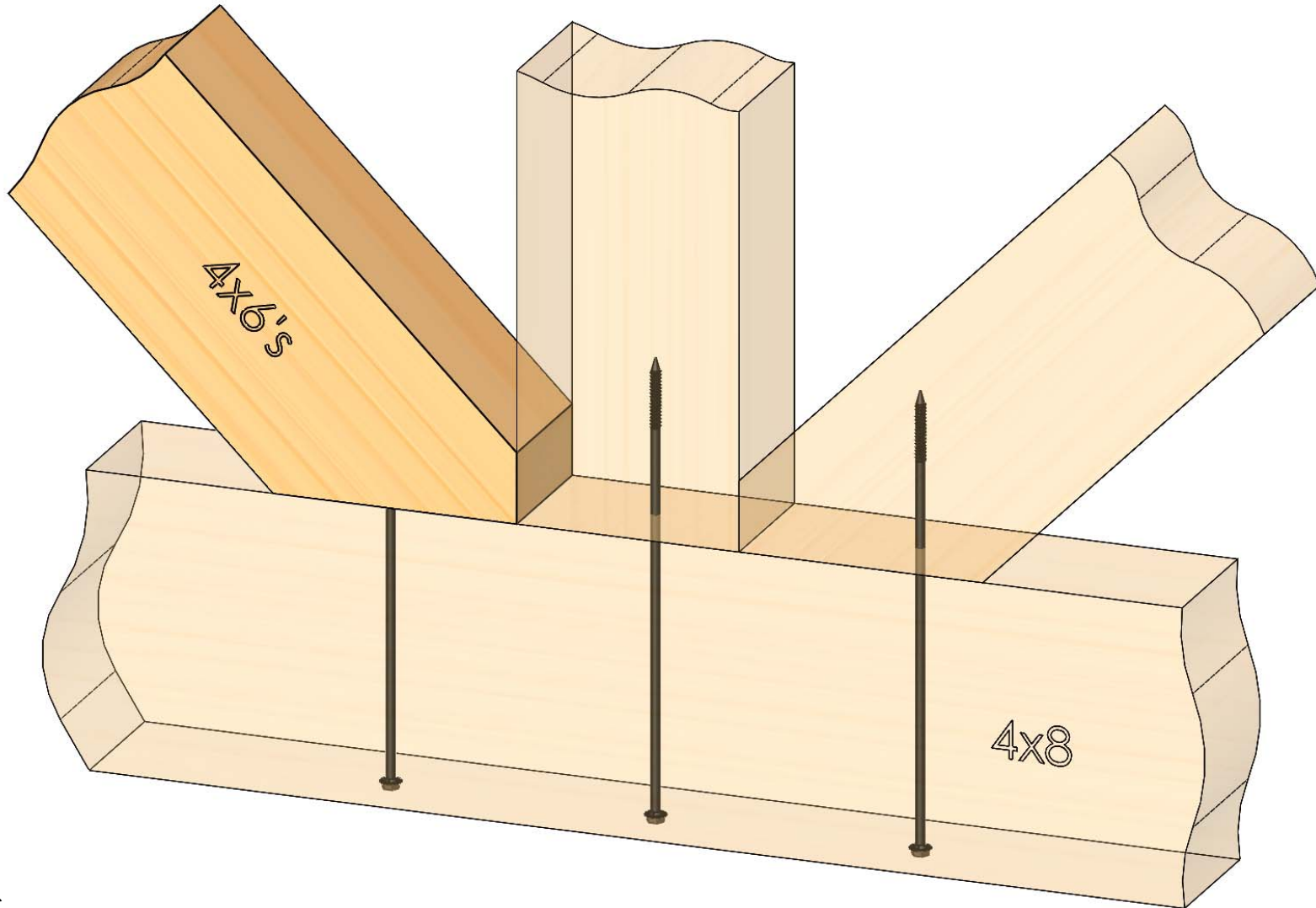




Weight: LBS  
Scale: 1:4  
Last updated: 10/1/2015

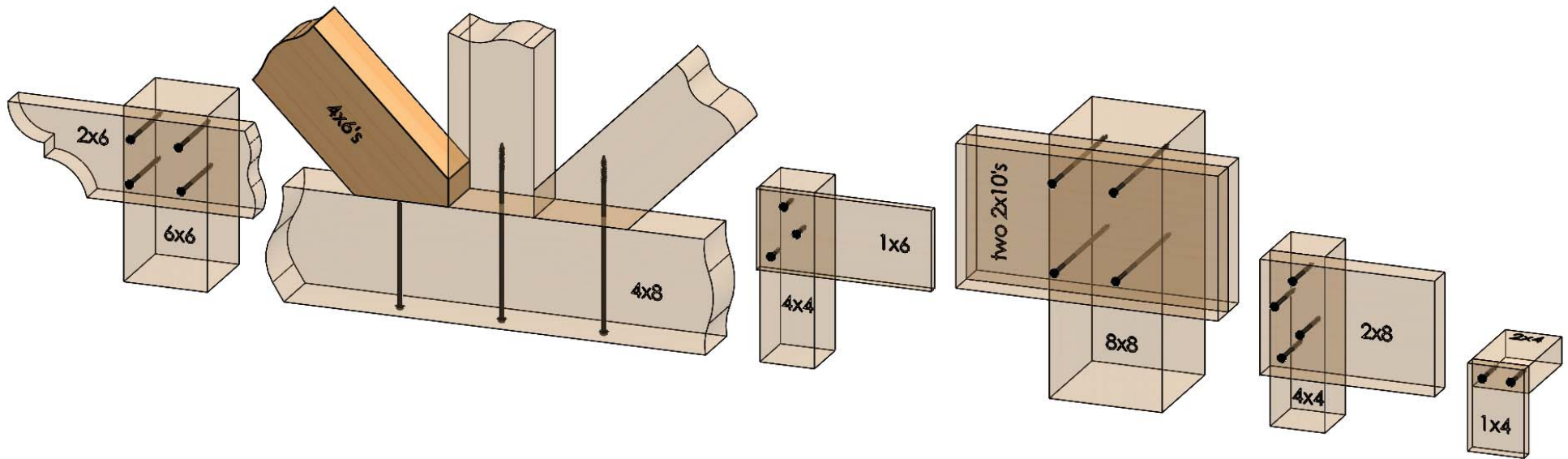
**OWT Timber Screw**



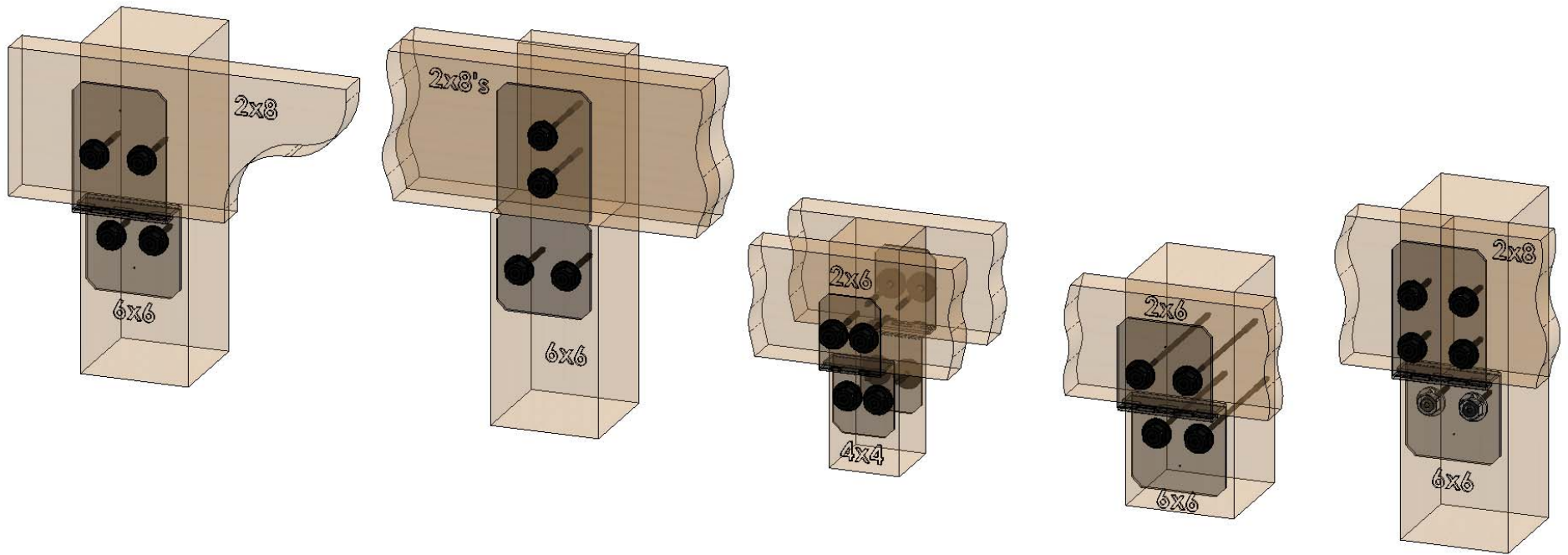


Weight: LBS  
Scale: 1:4  
Last updated: 10/1/2015

**OWT Timber Screw**

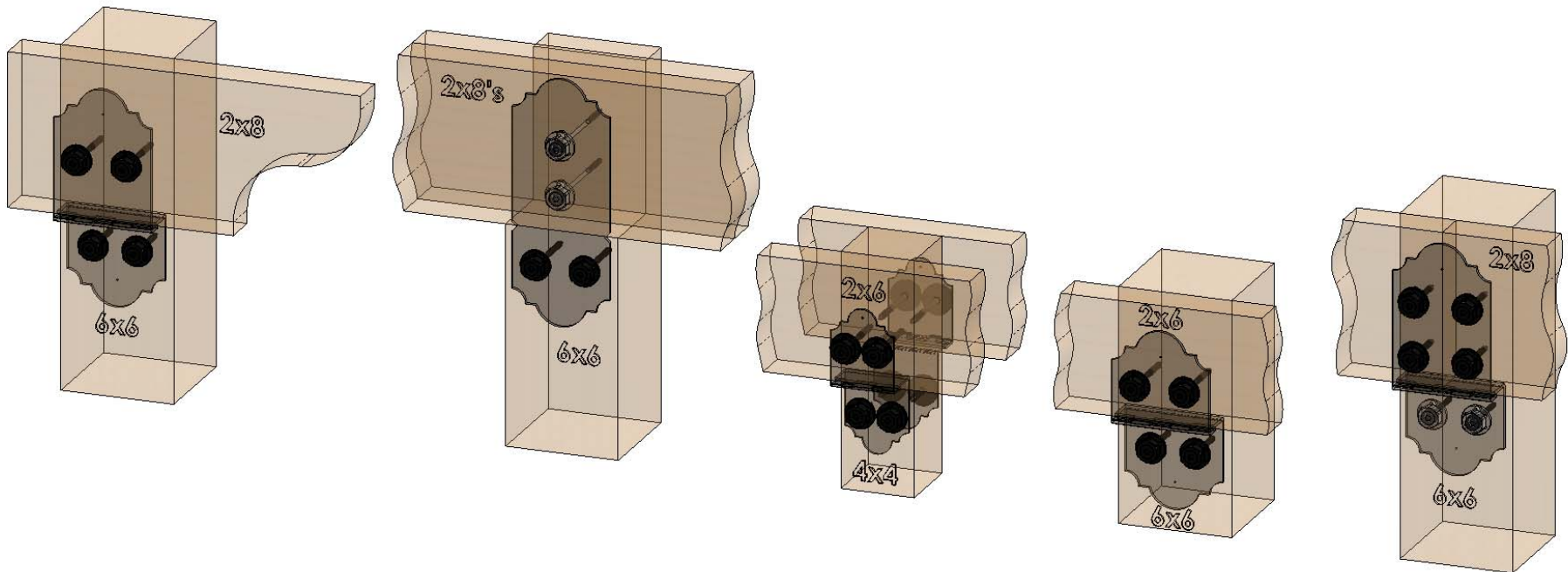


Weight: LBS  
 Scale: 1:10  
 Last updated: 10/1/2015



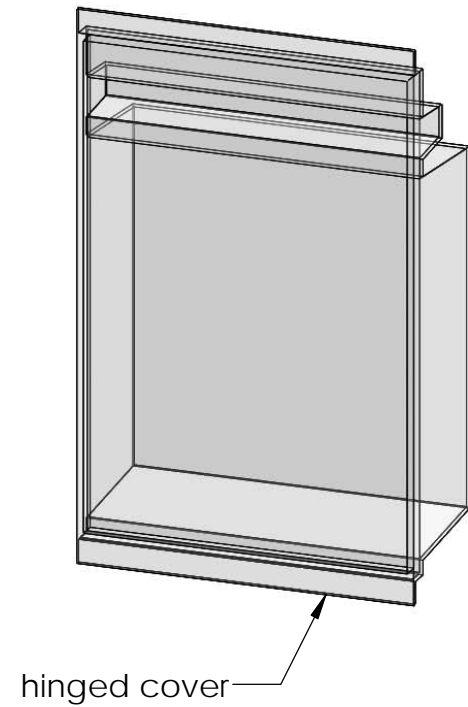
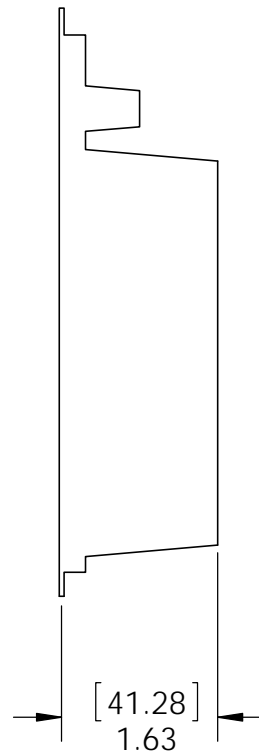
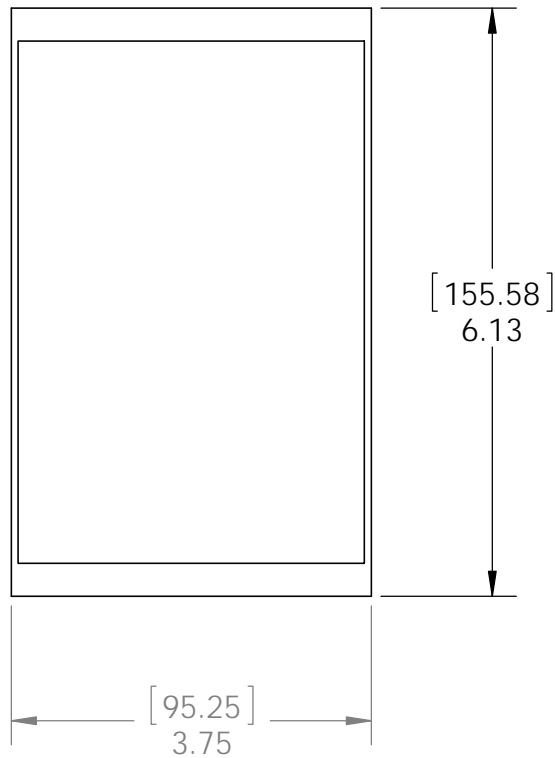
Weight: LBS  
Scale: 1:8  
Last updated: 10/5/2015

**OWT Timber Screw Installation IW**



Weight: LBS  
Scale: 1:8  
Last updated: 10/5/2015

**OWT Timber Screw Installation LS**



Material: ABS  
 Finish: Natural  
 Weight: 0.09 LBS  
 Scale: 1:2  
 Last updated: 10/1/2015

**OWT Timber Screw**

this box for 56625, 56626 & 56627

V1.00 - Installation Instructions effective May 1, 2015 and reflects information that available as of April 10, 2014. This information is updated periodically and should not be relied upon after May 1, 2015. Please visit [www.OZCOBP.com](http://www.OZCOBP.com) to get current information

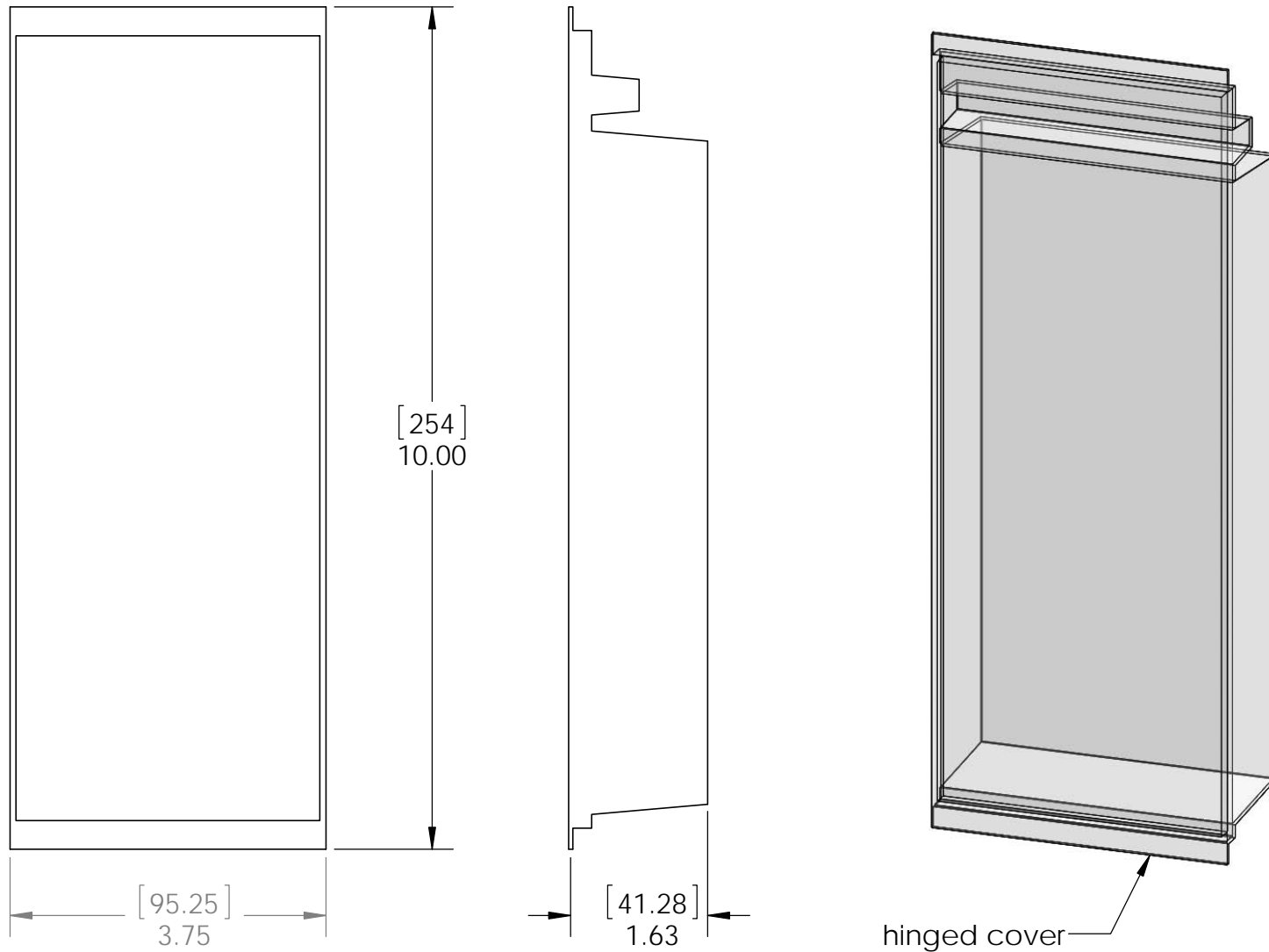


OZCO BUILDING PRODUCTS

# Product & Packaging Specs

## Box, OWT Timber Screw

Item #: Box, 56628-29



Material: ABS  
 Finish: Natural  
 Weight: 0.14 LBS  
 Scale: 1:2  
 Last updated: 10/1/2015

**OWT Timber Screw**

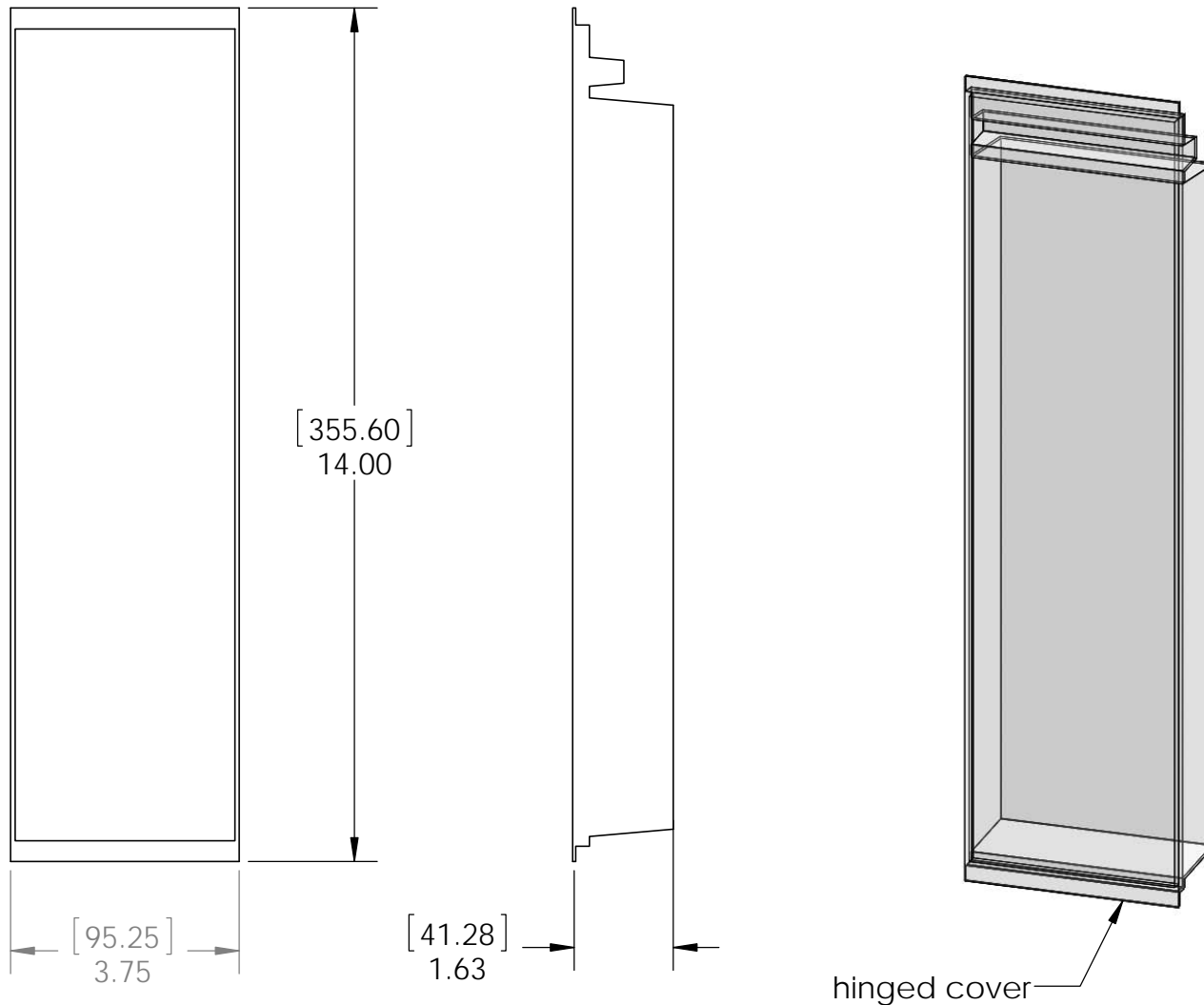
this box for 56628 & 56629

V1.00 - Installation Instructions effective May 1, 2015 and reflects information that available as of April 10, 2014. This information is updated periodically and should not be relied upon after May 1, 2015. Please visit [www.OZCOBP.com](http://www.OZCOBP.com) to get current information

# Product & Packaging Specs

## Box, OWT Timber Screw

Item #: Box, 56647-48



Material: ABS  
 Finish: Natural  
 Weight: 0.20 LBS  
 Scale: 1:3  
 Last updated: 10/1/2015

**OWT Timber Screw**

this box for 56647 & 56648

V1.00 - Installation Instructions effective May 1, 2015 and reflects information that available as of April 10, 2014. This information is updated periodically and should not be relied upon after May 1, 2015. Please visit [www.OZCOBP.com](http://www.OZCOBP.com) to get current information



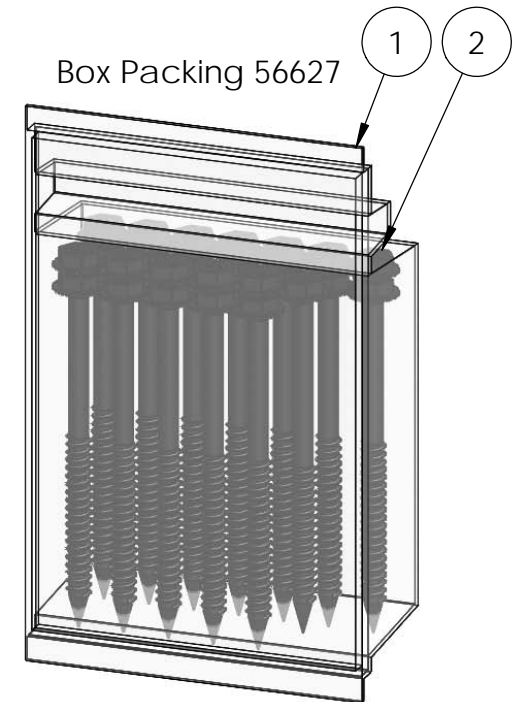
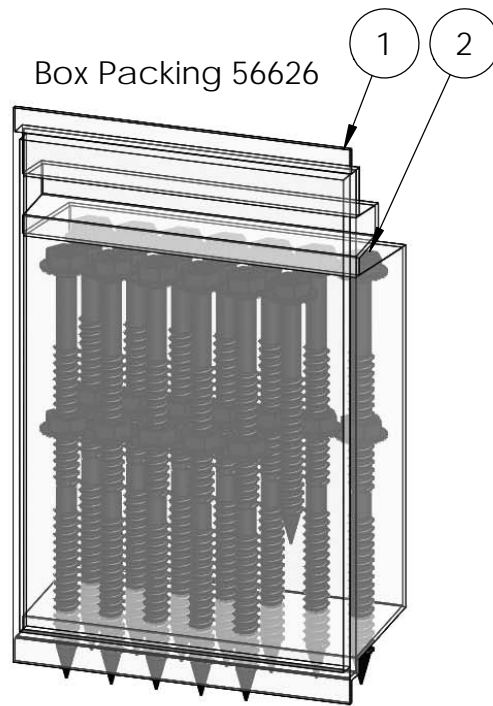
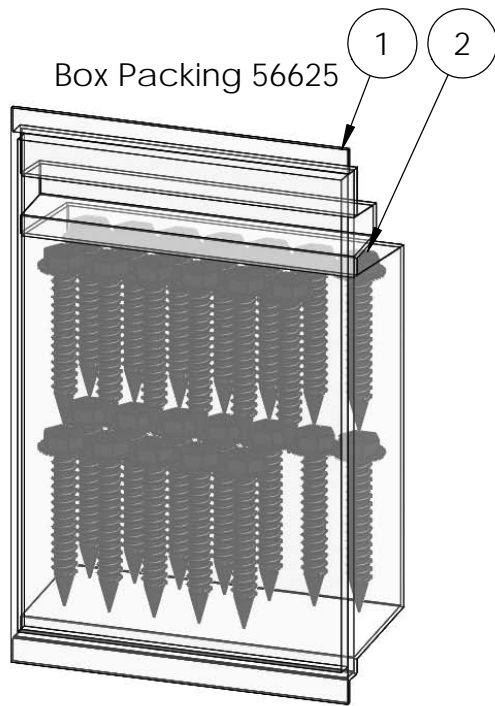


OZCO BUILDING PRODUCTS

# Product & Packaging Specs

## OWT Timber Screw

| ITEM NO. | Box Packing 56625/QTY. | PART NUMBER      | DESCRIPTION             | ITEM NO. | Box Packing 56626/QTY. | PART NUMBER      | DESCRIPTION             | ITEM NO. | Box Packing 56627/QTY. | PART NUMBER      | DESCRIPTION             |
|----------|------------------------|------------------|-------------------------|----------|------------------------|------------------|-------------------------|----------|------------------------|------------------|-------------------------|
| 1        | 1                      | Box, 56625-26-27 | Box, OWT Timber Screw   | 1        | 1                      | Box, 56625-26-27 | Box, OWT Timber Screw   | 1        | 1                      | Box, 56625-26-27 | Box, OWT Timber Screw   |
| 2        | 1                      | 56625            | OWT Timber Screw 1-3/4" | 2        | 1                      | 56626            | OWT Timber Screw 2-3/4" | 2        | 1                      | 56627            | OWT Timber Screw 3-3/4" |



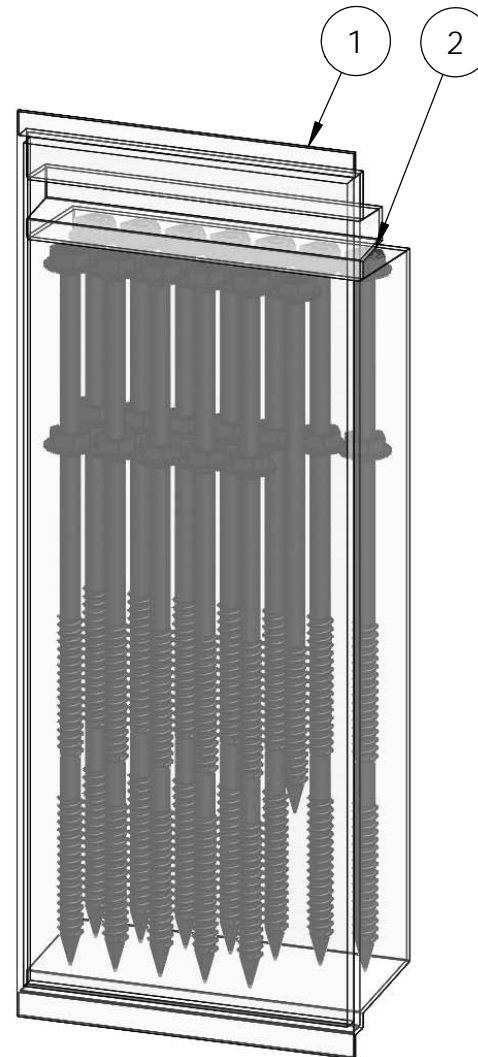
Scale: 1:4  
 Last updated: 10/1/2015  
**OWT Timber Screw**

# Product & Packaging Specs

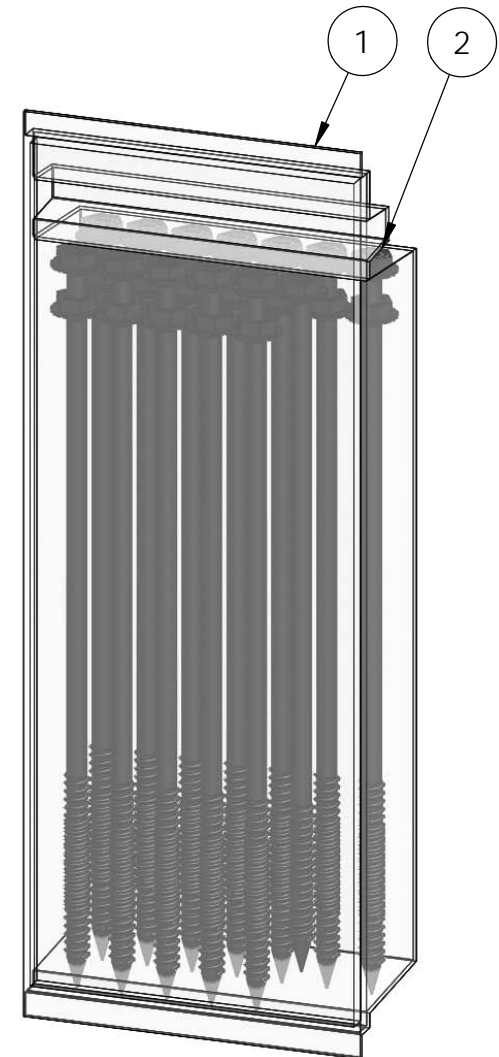
## OWT Timber Screw

| ITEM NO. | Box Packing 56628/QTY. | PART NUMBER   | DESCRIPTION                      |
|----------|------------------------|---------------|----------------------------------|
| 1        | 1                      | Box, 56628-29 | Box, OWT Timber Screw            |
| 2        | 1                      | 56628         | Screw, OWT 5-3/4" (145mm) Timber |

| ITEM NO. | Box Packing 56629/QTY. | PART NUMBER   | DESCRIPTION             |
|----------|------------------------|---------------|-------------------------|
| 1        | 1                      | Box, 56628-29 | Box, OWT Timber Screw   |
| 2        | 1                      | 56629         | OWT Timber Screw 7-1/2" |



Box Packing 56628



Box Packing 56629

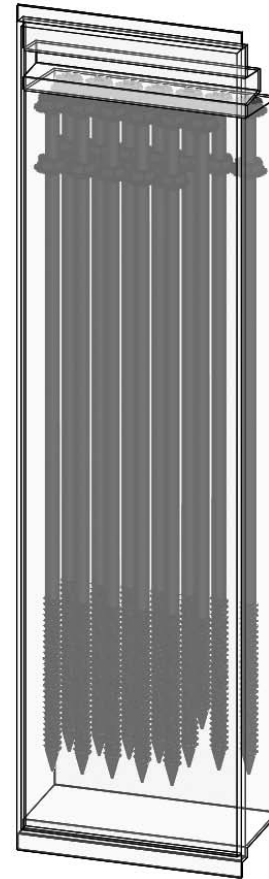
Scale: 1:2  
 Last updated: 10/1/2015  
**OWT Timber Screw**

# Product & Packaging Specs

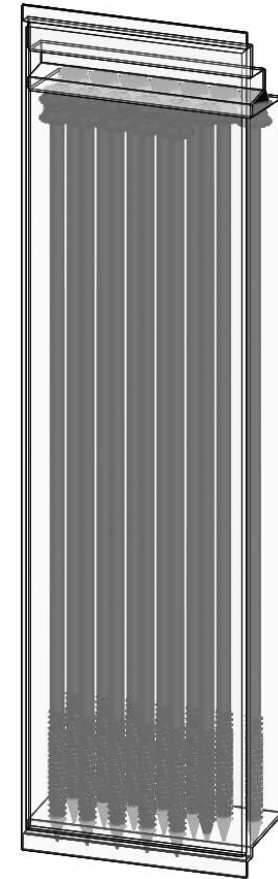
## OWT Timber Screw

| ITEM NO. | Box Packing 56647/QTY. | PART NUMBER   | DESCRIPTION           |
|----------|------------------------|---------------|-----------------------|
| 1        | 1                      | Box, 56647-48 | Box, OWT Timber Screw |
| 2        | 1                      | 56647         | OWT Timber Screw 10"  |

| ITEM NO. | Box Packing 56648/QTY. | PART NUMBER   | DESCRIPTION           |
|----------|------------------------|---------------|-----------------------|
| 1        | 1                      | Box, 56647-48 | Box, OWT Timber Screw |
| 2        | 1                      | 56648         | OWT Timber Screw 12"  |

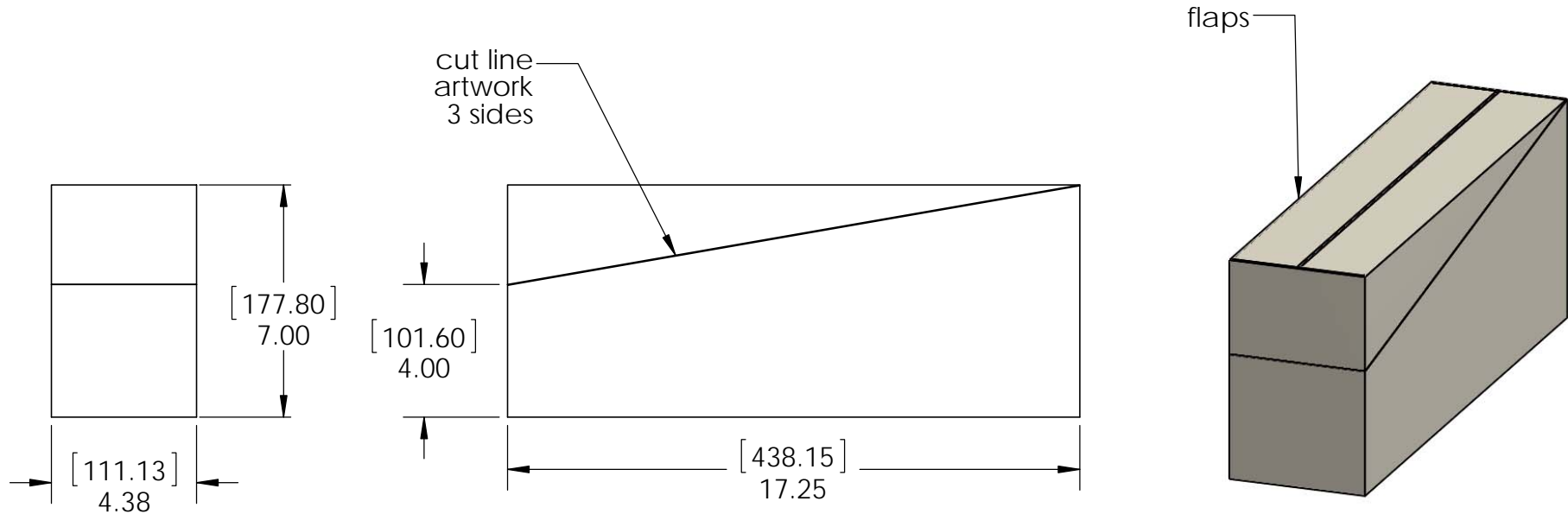


Box Packing 56647



Box Packing 56648

Scale: 1:3  
Last updated: 10/1/2015  
**OWT Timber Screw**

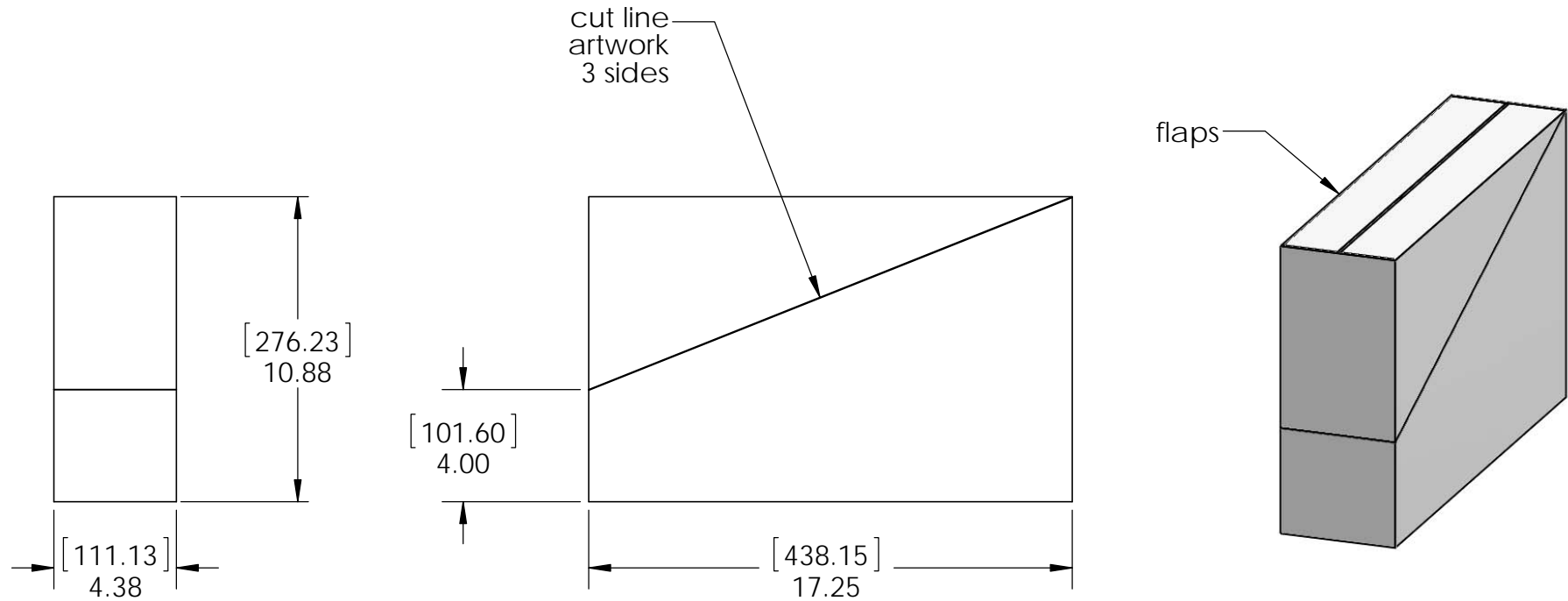


Material: Corrugated Paper  
 Finish: See artwork  
 Weight: 0.18 LBS  
 Scale: 1:5  
 Last updated: 10/1/2015

**OWT Timber Screw**

this box for 56625, 56626 & 56627

V1.00 - Installation Instructions effective May 1, 2015 and reflects information that available as of April 10, 2014. This information is updated periodically and should not be relied upon after May 1, 2015. Please visit [www.OZCOBP.com](http://www.OZCOBP.com) to get current information

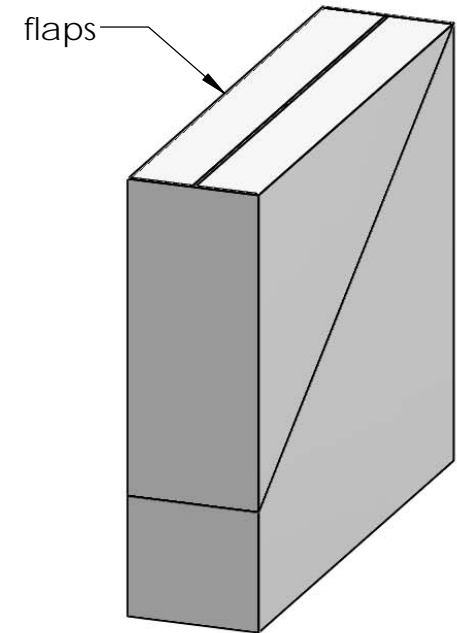
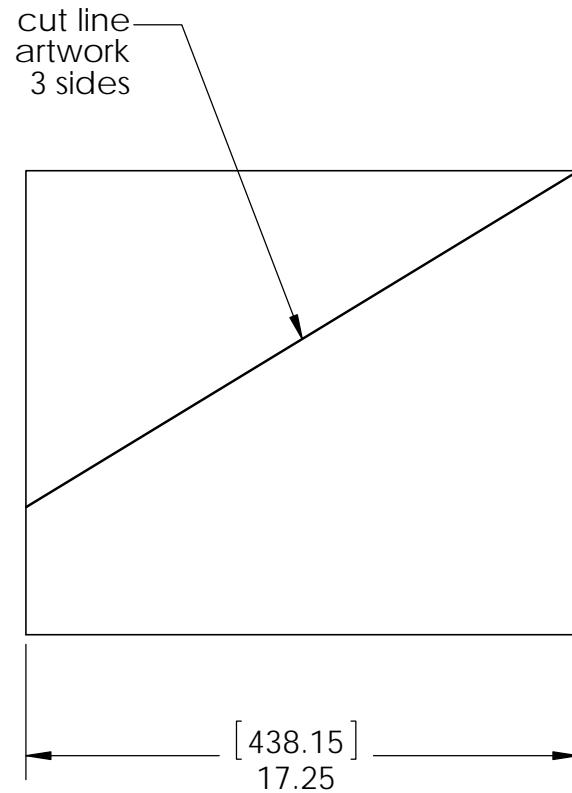
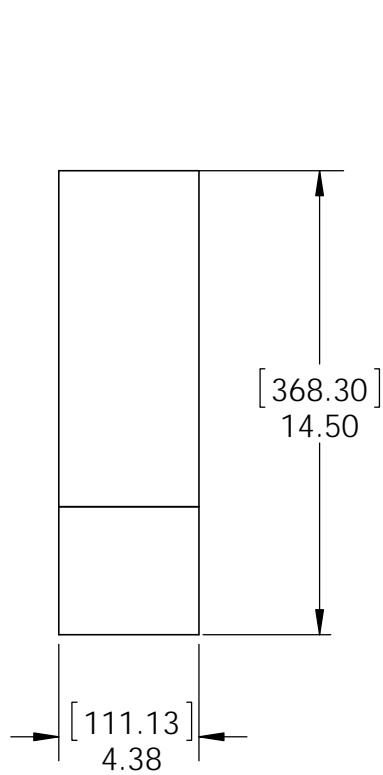


Material: Corrugated Paper  
 Finish: See artwork  
 Weight: 0.18 LBS  
 Scale: 1:6  
 Last updated: 10/1/2015

# Product & Packaging Specs

## Screw Box Case

Item #: Box, 56647-48

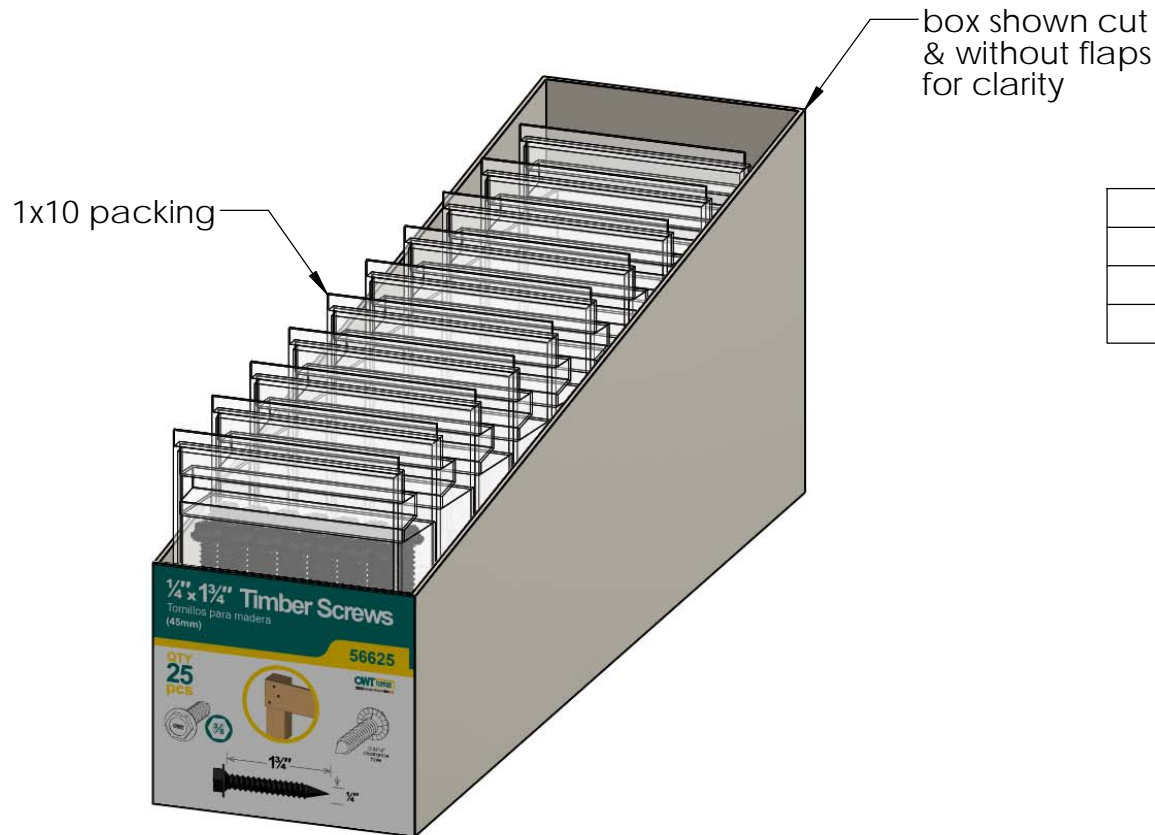


Material: Corrugated Paper  
 Finish: See artwork  
 Weight: 0.18 LBS  
 Scale: 1:6  
 Last updated: 10/1/2015

this box for 56647 & 56648

# Product & Packaging Specs

## OWT Timber Screw



| PART NUMBER | WEIGHT    |
|-------------|-----------|
| 56625       | 7.42 LBS  |
| 56626       | 9.72 LBS  |
| 56627       | 12.01 LBS |

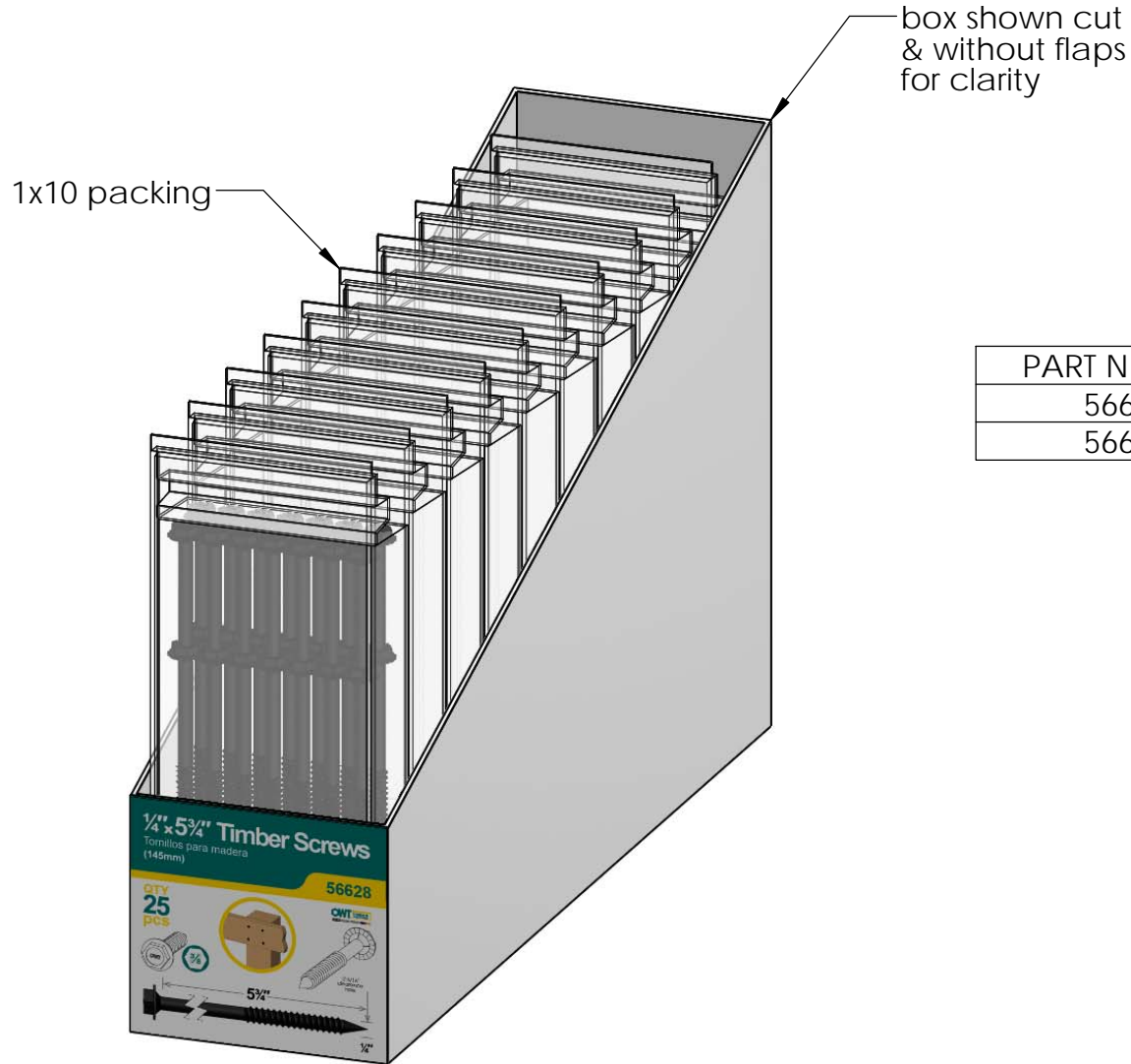
Scale: 1:2  
 Last updated: 10/1/2015  
**OWT Timber Screw**

56625 shown  
 same packing for 56625, 56626 & 56627



# Product & Packaging Specs

## OWT Timber Screw



| PART NUMBER | WEIGHT    |
|-------------|-----------|
| 56628       | 12.67 LBS |
| 56629       | 14.46 LBS |

56628 shown  
 same packing for 56628 & 56629

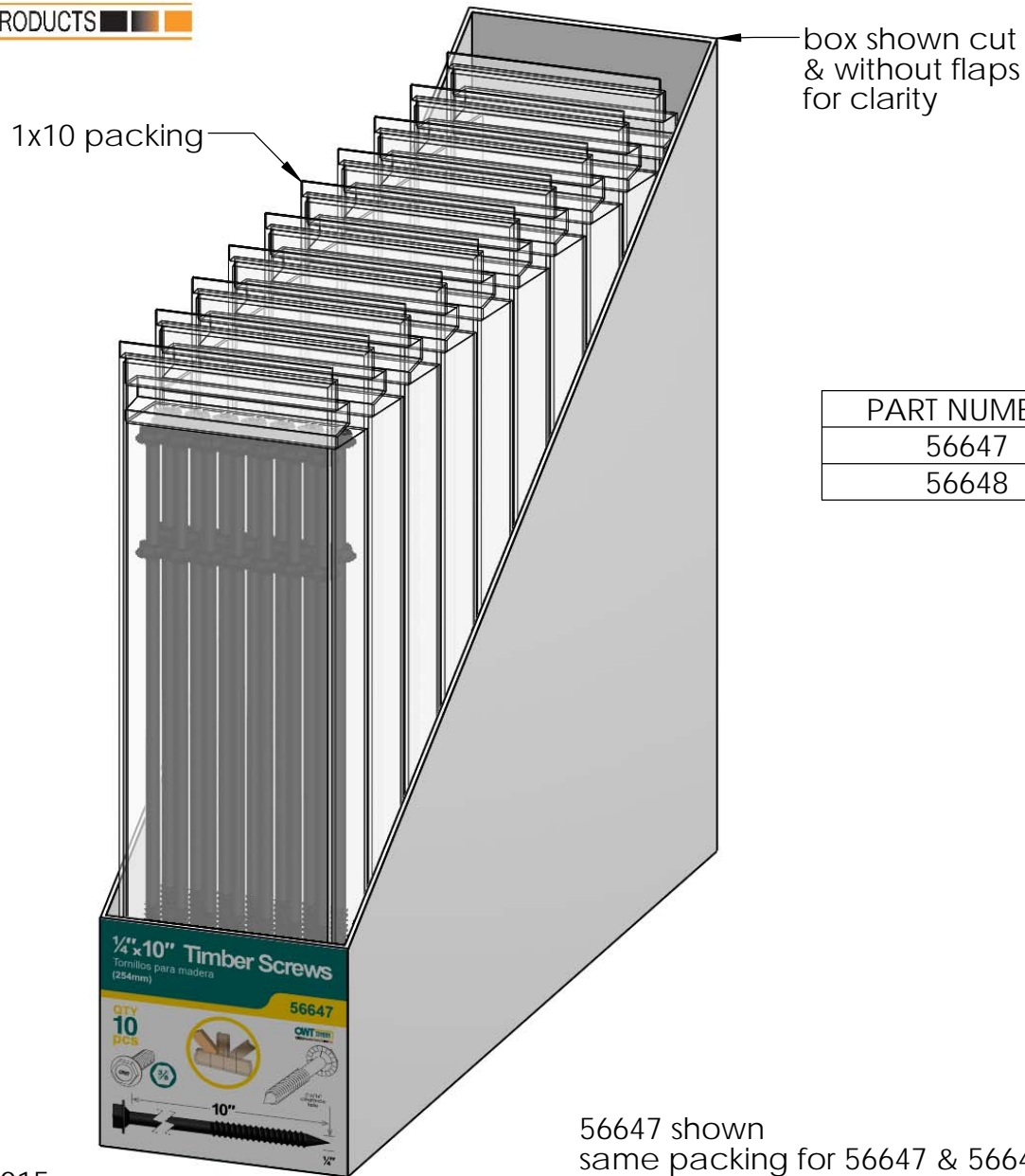
Scale: 1:3  
 Last updated: 10/1/2015  
**OWT Timber Screw**



OZCO BUILDING PRODUCTS

# Product & Packaging Specs

## OWT Timber Screw



| PART NUMBER | WEIGHT    |
|-------------|-----------|
| 56647       | 17.43 LBS |
| 56648       | 21.71 LBS |

56647 shown  
same packing for 56647 & 56648

Scale: 1:3  
Last updated: 10/1/2015  
OWT Timber Screw



OZCO BUILDING PRODUCTS

# Product & Packaging Specs

56625-26-27 Packing

Item #: Pallet Packing

Item #: **56625** | **OWT175LB**

1 3/4" Timber Screws

**PALLET** | **400 pcs**

SKU#: **56825**



Weight: **323** lbs

LOT# \_\_\_\_\_ Priority# \_\_\_\_\_

Item #: **56626** | **OWT275LB**

2 3/4" Timber Screws

**PALLET** | **400 pcs**

SKU#: **56826**



Weight: **423** lbs

LOT# \_\_\_\_\_ Priority# \_\_\_\_\_

Item #: **56627** | **OWT375LB**

3 3/4" Timber Screws

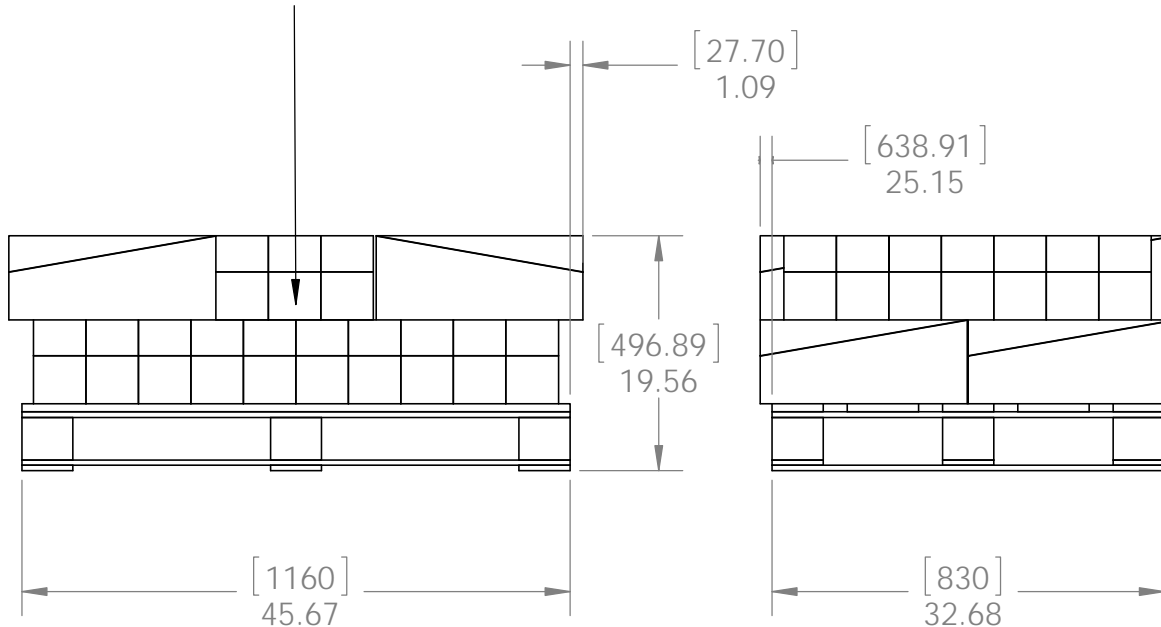
**PALLET** | **400 pcs**

SKU#: **56827**

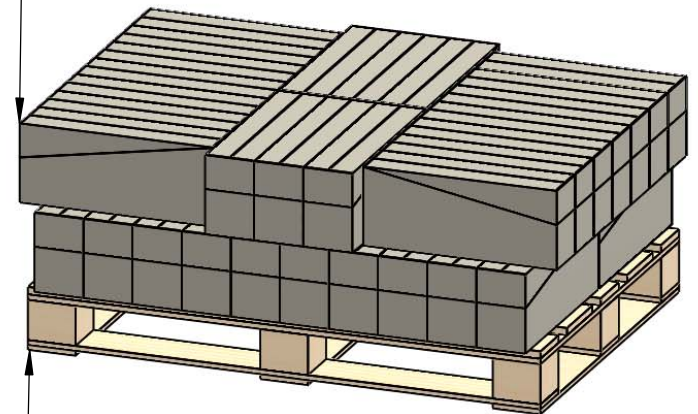


Weight: **612** lbs

LOT# \_\_\_\_\_ Priority# \_\_\_\_\_



Total number of cases: 40  
Total number of pieces:  
40x10=400 pieces on pallet



C pallet

additional pallet packing instructions

- plywood on top layer
- strap to pallet
- clear wrap around boxes



Weight: see label  
Scale: 1:2  
Last updated: 10/1/2015

OWT Timber Screw



OZCO BUILDING PRODUCTS

# Product & Packaging Specs

## 56628-29 Packing

Item #: Pallet Packing

Item #: **56628** | **OWT575LB**

5 3/4" Timber Screws

**PALLET** | **200 pcs**

SKU#: **56828**



30548166006549  
Made in China

Weight: **376** lbs

LOT# \_\_\_\_\_ Priority# \_\_\_\_\_

Item #: **56629** | **OWT750LB**

7 1/2" Timber Screws

**PALLET** | **200 pcs**

SKU#: **56829**

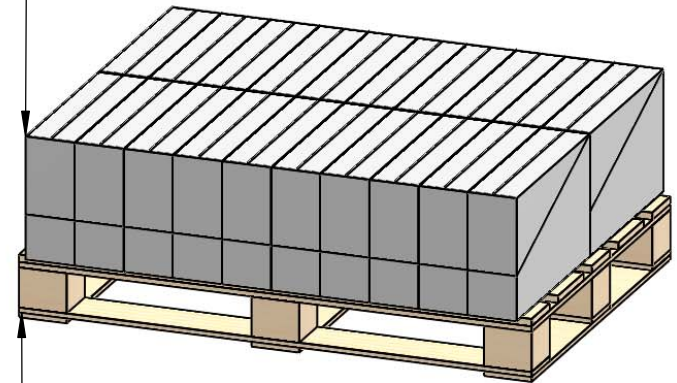


3054816600655E  
Made in China

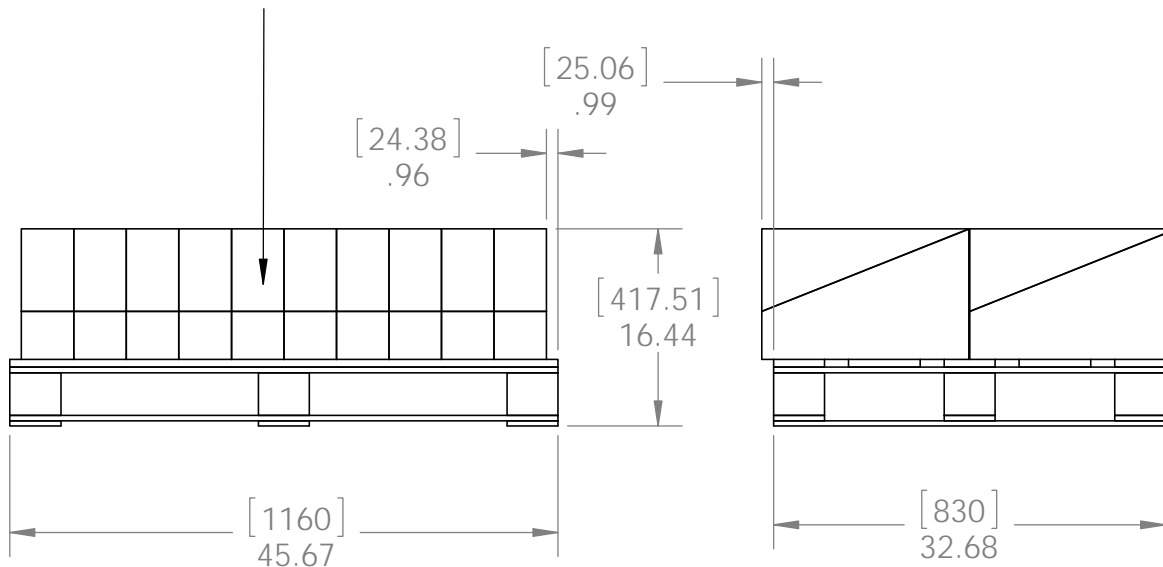
Weight: **462** lbs

LOT# \_\_\_\_\_ Priority# \_\_\_\_\_

Total number of cases: 20  
Total number of pieces:  
20x10=200 pieces on pallet



C pallet



additional pallet packing instructions

- plywood on top layer
- strap to pallet
- clear wrap around boxes

Weight: see label  
Scale: 1:2  
Last updated: 10/1/2015

**OWT Timber Screw**



OZCO BUILDING PRODUCTS

# Product & Packaging Specs

## 56647-48 Packing

Item #: Pallet Packing

Item #: **56647** | **OWT10LB**

10" Timber Screw

**PALLET** | **200 pcs**

SKU#: **56847**



Weight: **279** lbs

LOT# \_\_\_\_\_ Priority# \_\_\_\_\_



Item #: **56648** | **OWT12LB**

12" Timber Screws

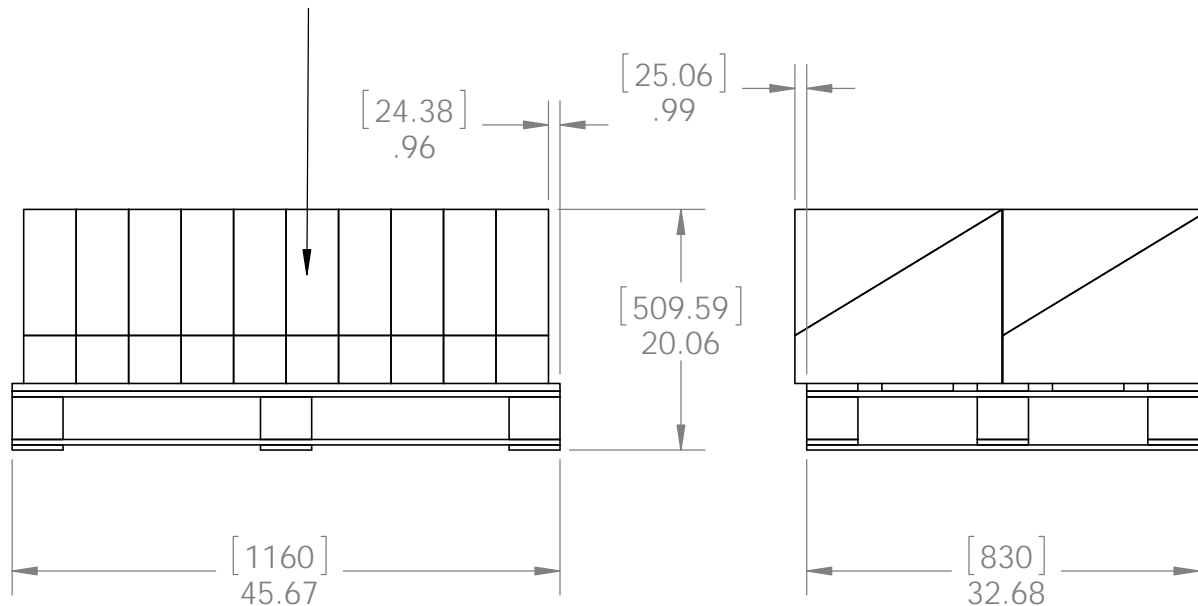
**PALLET** | **200 pcs**

SKU#: **56848**

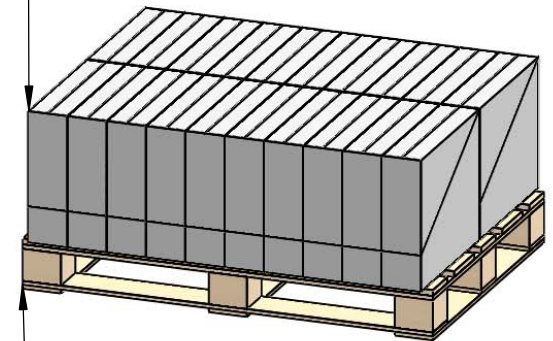


Weight: **320** lbs

LOT# \_\_\_\_\_ Priority# \_\_\_\_\_



Total number of cases: 20  
Total number of pieces:  
20x10=200 pieces on pallet



C pallet



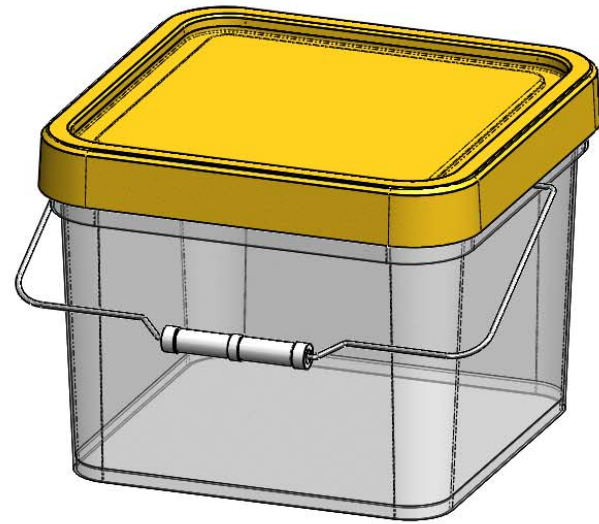
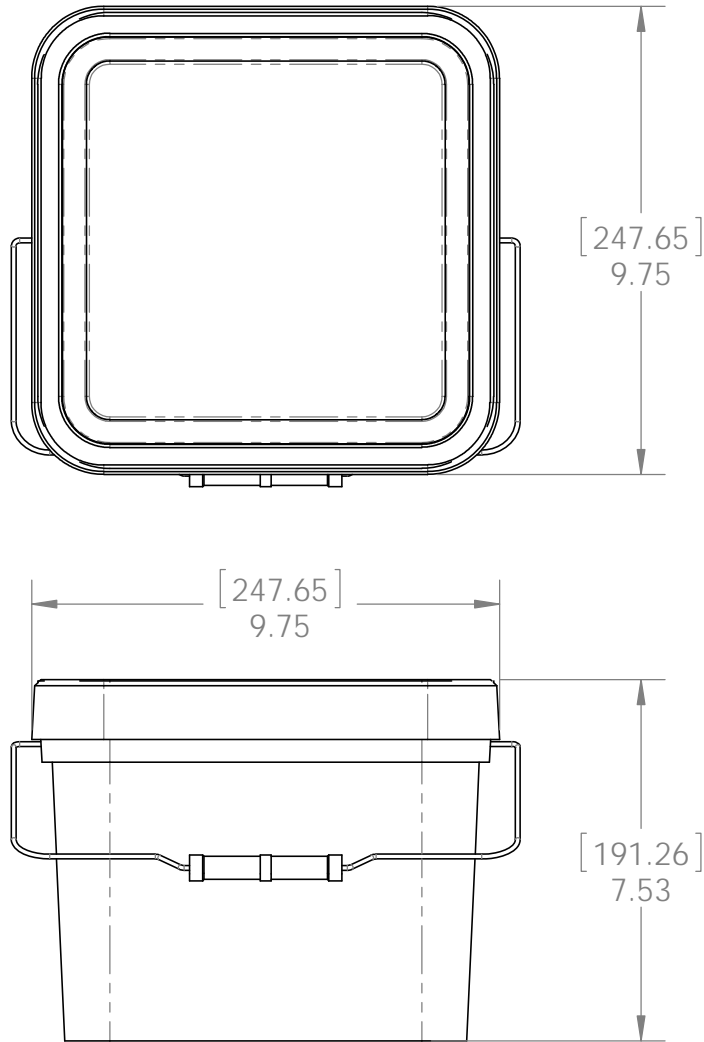
### additional pallet packing instructions

- plywood on top layer
- strap to pallet
- clear wrap around boxes

Weight: see label  
Scale: 1:16  
Last updated: 10/1/2015

OWT Timber Screw





Weight: 0.78 LBS  
Scale: 1:4  
Last updated: 10/1/2015

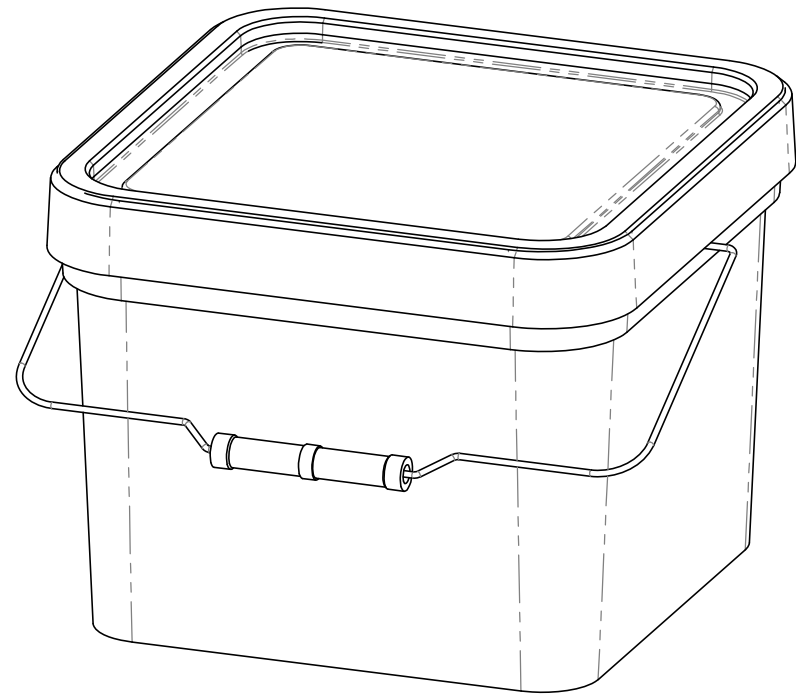
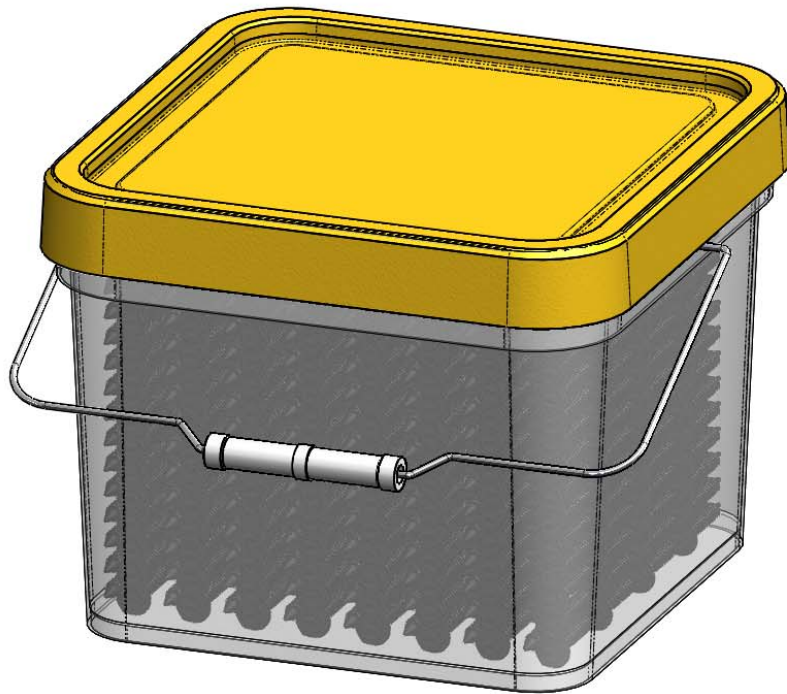
**OWT Timber Screw**



# Product & Packaging Specs

## Bulk Pack, OWT Timber Screw

Item #: 16625, 16626, 16627 or 16628



Scale: 1:3  
Last updated: 10/1/2015

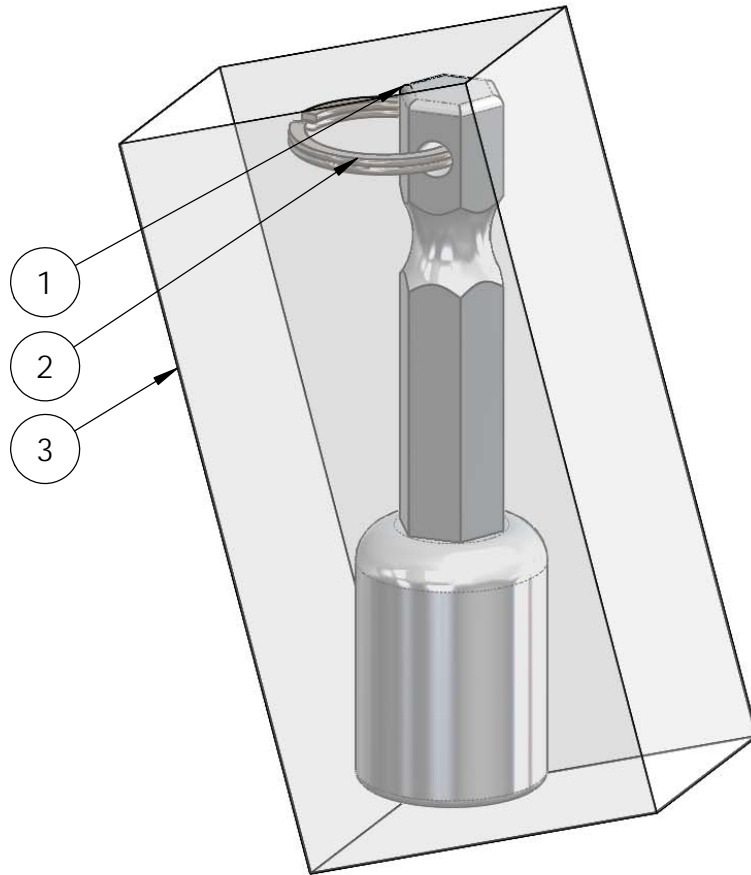
**OWT Timber Screw**

V1.00 - Installation Instructions effective May 1, 2015 and reflects information that available as of April 10, 2014. This information is updated periodically and should not be relied upon after May 1, 2015. Please visit [www.OZCOBP.com](http://www.OZCOBP.com) to get current information



# Product & Packaging Specs

3/8" Driver  
Item #: 3/8" Driver



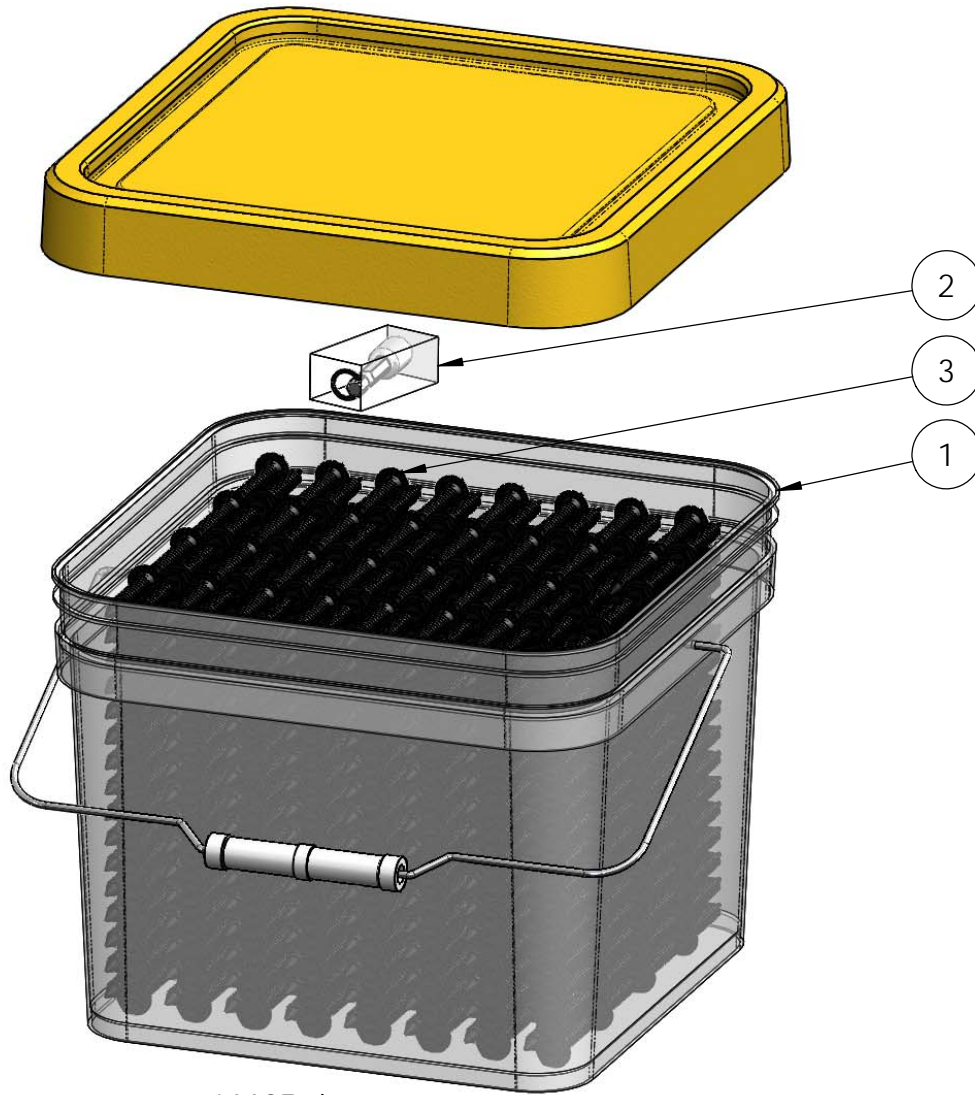
| ITEM NO. | QTY. | PART NUMBER      | DESCRIPTION      |
|----------|------|------------------|------------------|
| 1        | 1    | .375 driver      | .375 driver      |
| 2        | 1    | Key Ring         | Key Ring         |
| 3        | 1    | Bag, 1x2 packing | Bag, 1x2 Packing |

Weight: 0.04 LBS  
Scale: 2:1  
Last updated: 10/1/2015

# Product & Packaging Specs

## Bulk Pack, OWT Timber Screw

Item #: Pail Packing



16625 shown

Scale: 1:3  
 Last updated: 10/1/2015

**OWT Timber Screw**

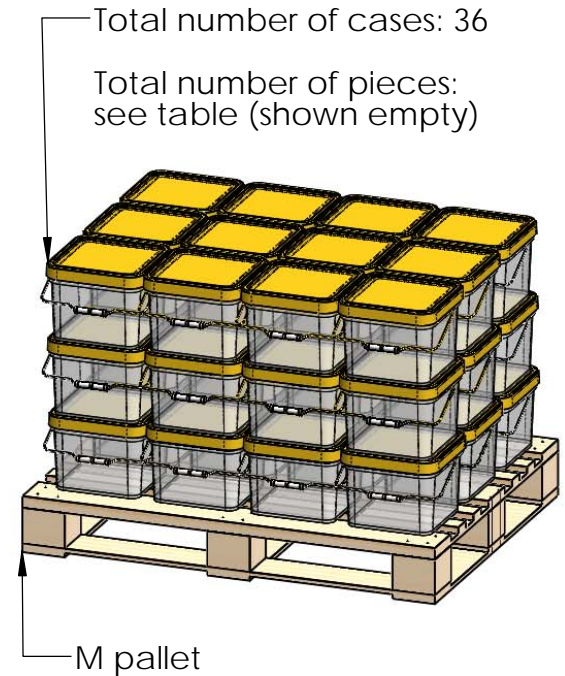
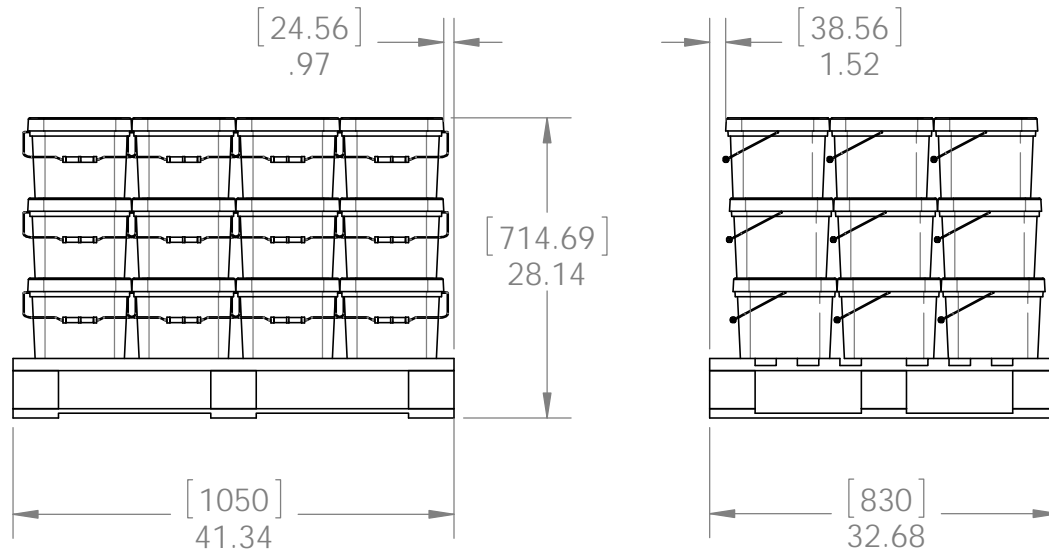
| ITEM NO. | QTY.      | PART NUMBER          | DESCRIPTION      |
|----------|-----------|----------------------|------------------|
| 1        | 1         | Plastic Bin          | Plastic Bin      |
| 2        | 1         | .375 driver assembly | 3/8" Driver      |
| 3        | see table | OWT Timber Screw     | OWT Timber Screw |

| Bulk Pack part number | OWT Timber Screw | Quantity | Weight (lbs) |
|-----------------------|------------------|----------|--------------|
| 16625                 | 56625            | 1000     | 23           |
| 16626                 | 56626            | 600      | 20           |
| 16627                 | 56627            | 450      | 19           |
| 16628                 | 56628            | 250      | 16           |
| 16629                 | 56629            | 250      | 19           |

# Product & Packaging Specs

## Bulk Pack, OWT Timber Screw

Item #: Pallet Packing



| part number | quantity | weight (lbs) |
|-------------|----------|--------------|
| 16625       | 36000    | 853          |
| 16626       | 21600    | 745          |
| 16627       | 16200    | 709          |
| 16628       | 9000     | 601          |
| 16629       | 9000     | 709          |



additional pallet packing instructions  
 plywood on top layer  
 strap to pallet  
 clear wrap around boxes  
 angle iron or equivalent corners

Scale: 1:18  
 Last updated: 10/1/2015